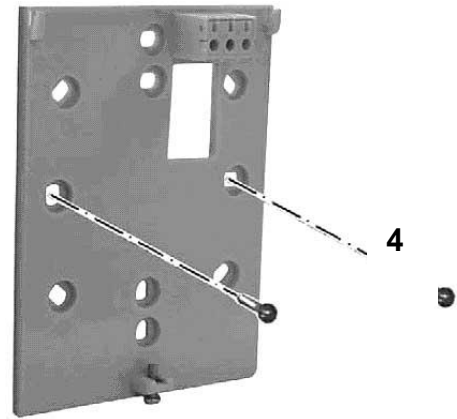


RDH10  
RDJ10



1



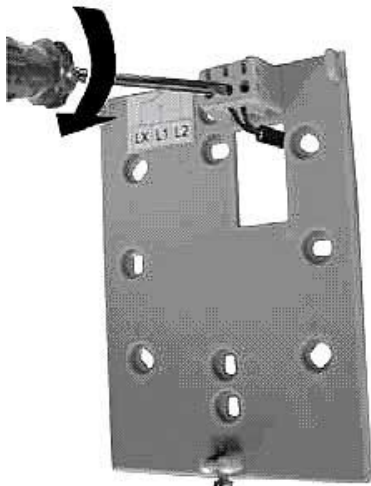
4



2



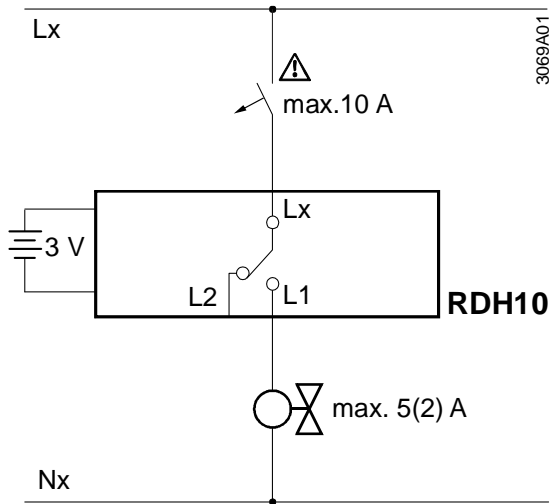
5



3



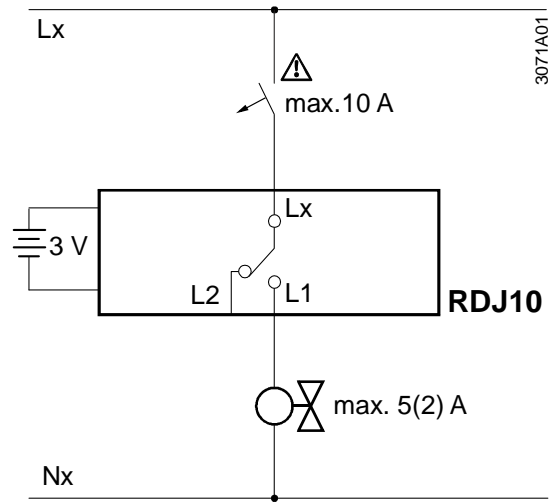
6



3069A01

**RDH10**

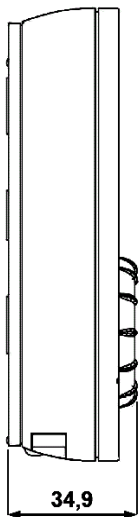
⚠ Lx - Nx AC 24...250 V



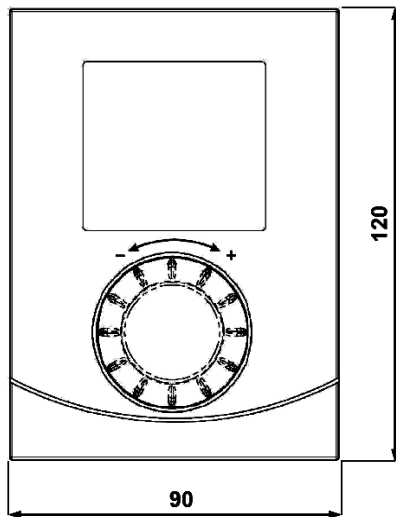
3071A01

**RDJ10**

⚠ Lx - Nx AC 24...250 V

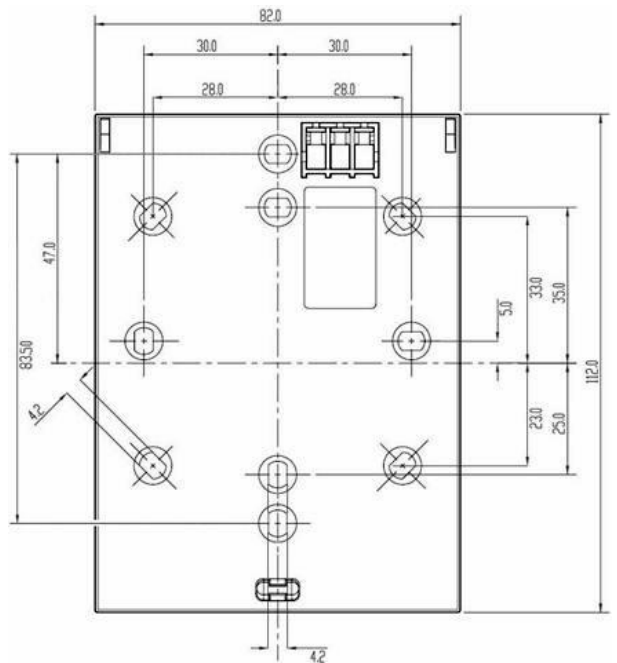


34,9



120

90



[mm]