

# SIEMENS

## Installation Instructions Models SMBOX-XMP, APLT-XMP, 4DGBOX-XMP

Manual Pull Station – Optional Accessories

### Description

The Model **SMBOX-XMP** is a Surface Mounting Box, P/N S54321-F20-A1.

Size: 4W X 5.54H X 1.62" Deep.

Material: Steel, Painted color RAL 3020 Red.

Carton Contents:

1. Surface Mounting Box
2. Installation Instructions

The Model **APLT-XMP** is an adapter plate to mount the X-Series Pull Stations on the existing surface mounted boxes Model SB-5R, P/N S54321-F21-A1.

Size: 4W X 5-1/2H X 0.075" Thickness.

Material: Steel, Painted color RAL 3020 Red.

Carton Contents:

1. Adapter Plate
2. Installation Instructions
3. (3) 100 Degrees Flat Phillips screws #6-32 x 3/8" long
4. (1) #6-32 1/2" long screw with External-Tooth Lock Washer

The Model **4DGBOX-XMP** is an adapter plate to be used to mount the X series Pull Stations on the 4 inch square box or a double gang electrical box, P/N S54321-F22-A1.

Size: 5W X 5.90H X 0.075" Thickness.

Material: Steel, Painted color RAL 3020 Red.

Carton Contents:

1. Adapter Plate
2. Installation Instructions
3. (4) 100 Degrees Flat Phillips screws #6-32 x 3/8" long
4. (2) 100 Degrees Flat Phillips screws #8-32 x 3/8" long

### Installation Instructions

1. **SMBOX-XMP**  
Mount the Base as shown on Figure 1 using the (2) screws provided. See the XMS-S/-D/-M installation instructions, Document ID A6V11439600, for programming, mounting, and wiring the Pull Station.
2. **APLT-XMP**  
Mount the adapter plate with (3) screws supplied onto the existing SB-5R surface mounting box. Mount the base onto the adapter plate using the (1) screw supplied and the (2) screws supplied with the Pull Stations. See the XMS-S/-D/-M installation instructions, Document ID A6V11439600, for mounting and wiring the Pull Station.
3. **4DGBOX-XMP**  
This adapter can be mounted either on the 4 inch square box or the double gang electrical box. Using the hardware provided mount the adapter on either electrical box. Follow the XMS-S/-D/-M installation instructions, Document ID A6V11439600, for mounting and wiring the Pull Station onto the adapter.

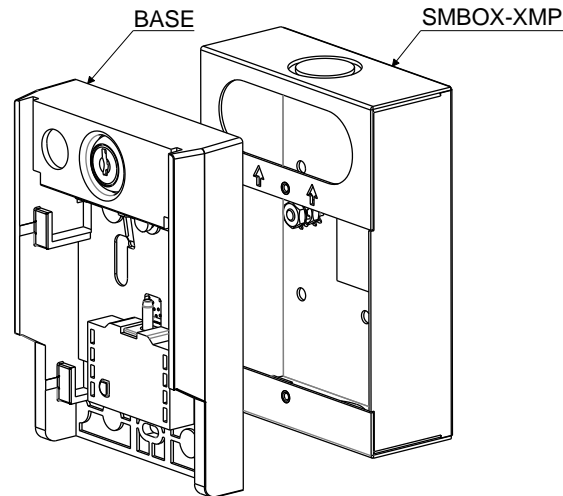


Figure 1  
Mounting the X-Series pull stations onto the SMBOX-XMP

### **Cyber security disclaimer**

Siemens provides a portfolio of products, solutions, systems and services that includes security functions that support the secure operation of plants, systems, machines and networks. In the field of Building Technologies, this includes building automation and control, fire safety, security management as well as physical security systems.

In order to protect plants, systems, machines and networks against cyber threats, it is necessary to implement – and continuously maintain – a holistic, state-of-the-art security concept. Siemens' portfolio only forms one element of such a concept. You are responsible for preventing unauthorized access to your plants, systems, machines and networks which should only be connected to an enterprise network or the internet if and to the extent such a connection is necessary and only when appropriate security measures (e.g. firewalls and/or network segmentation) are in place. Additionally, Siemens' guidance on appropriate security measures should be taken into account. For additional information, please contact your Siemens sales representative or visit <https://www.siemens.com/global/en/home/company/topicareas/future-of-manufacturing/industrial-security.html>.

Siemens' portfolio undergoes continuous development to make it more secure. Siemens strongly recommends that updates are applied as soon as they are available and that the latest versions are used. Use of versions that are no longer supported, and failure to apply the latest updates may increase your exposure to cyber threats. Siemens strongly recommends to comply with security advisories on the latest security threats, patches and other related measures, published, among others, under <https://www.siemens.com/cert/en/cert-security-advisories.htm>.