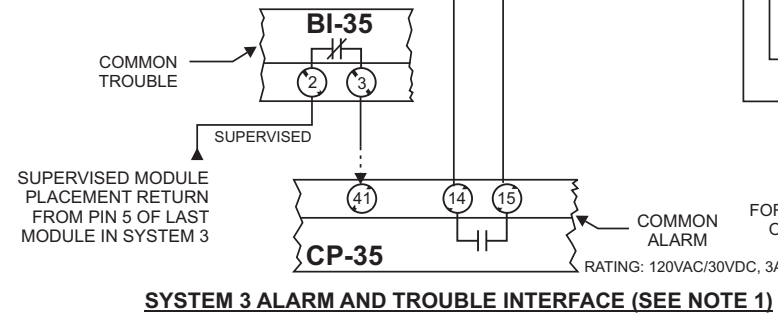
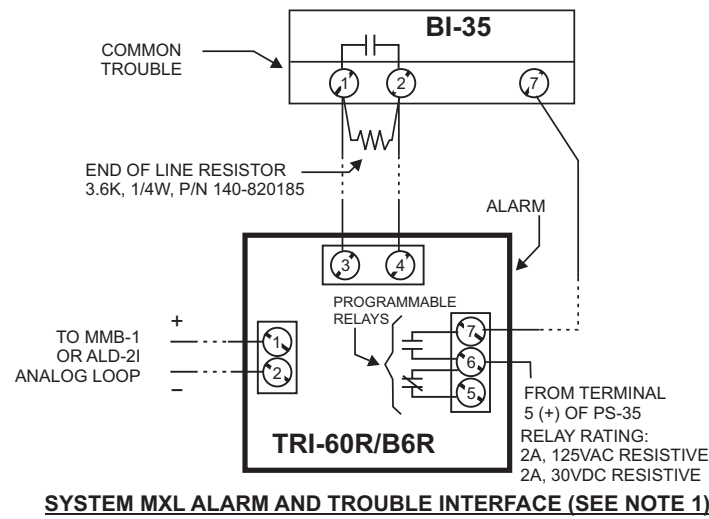


Typical Wiring Diagram

MODEL BI-35 For use as Auxiliary Power Supply



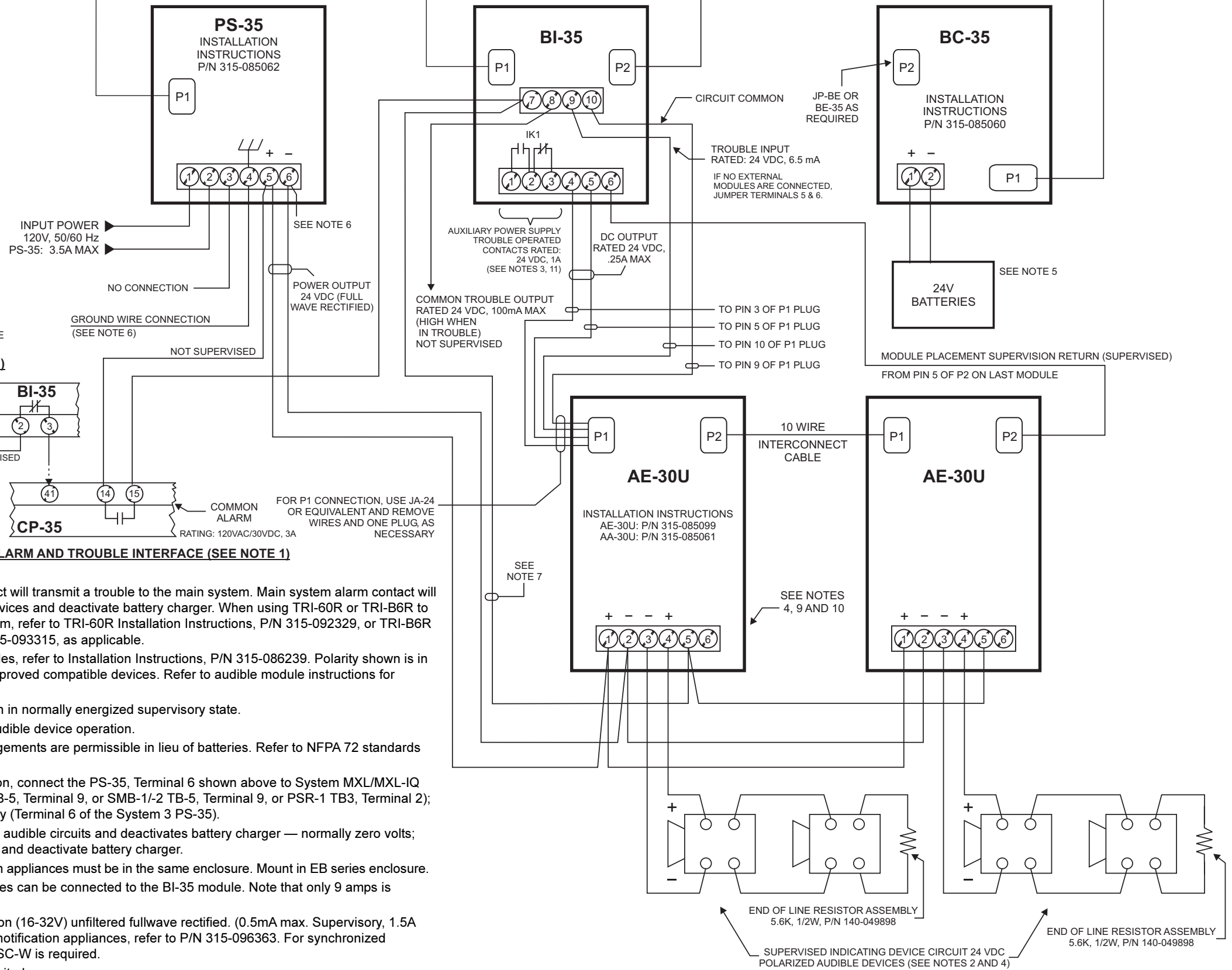
NOTES:

- Transfer of BI-35 trouble contact will transmit a trouble to the main system. Main system alarm contact will operate the AE-30U audible devices and deactivate battery charger. When using TRI-60R or TRI-B6R to interface to MXL/MXL-IQ System, refer to TRI-60R Installation Instructions, P/N 315-092329, or TRI-B6R Installation Instructions, P/N 315-093315, as applicable.
- When operating ADB-X3 audibles, refer to Installation Instructions, P/N 315-086239. Polarity shown is in supervisory mode. Use only approved compatible devices. Refer to audible module instructions for approved models.
- BI-35 trouble relay IK1 is shown in normally energized supervisory state.
- May use AA-30U for Class A audible device operation.
- Other emergency supply arrangements are permissible in lieu of batteries. Refer to NFPA 72 standards for information.
- To provide ground fault detection, connect the PS-35, Terminal 6 shown above to System MXL/MXL-IQ DC minus supply (MMB-1/-2 TB-5, Terminal 9, or SMB-1/-2 TB-5, Terminal 9, or PSR-1 TB3, Terminal 2); or to System 3 DC minus supply (Terminal 6 of the System 3 PS-35).
- System input to BI-35 activates audible circuits and deactivates battery charger — normally zero volts; high to activate audible circuits and deactivate battery charger.
- All equipment except notification appliances must be in the same enclosure. Mount in EB series enclosure.
- A maximum of 10 AE-30 modules can be connected to the BI-35 module. Note that only 9 amps is available from the PS-35.
- AE-30U rated Special Application (16-32V) unfiltered fullwave rectified. (0.5mA max. Supervisory, 1.5A max. Alarm) Note: For a list of notification appliances, refer to P/N 315-096363. For synchronized application, use of a DSC or DSC-W is required.
- TB positions 1-10 are power limited.

JA-BI 20 (20 INCH 3 WIRE INTERCONNECT CABLE)

NOTE: BI-35 PLACEMENT ANYWHERE IN ENCLOSURE WITHIN 20 INCHES OF PS-35 AND BC-35.

JA-BI 24 (24 INCH 7 WIRE INTERCONNECT CABLE)



SIEMENS

Siemens Industry, Inc.
Building Technologies Division
Florham Park, NJ

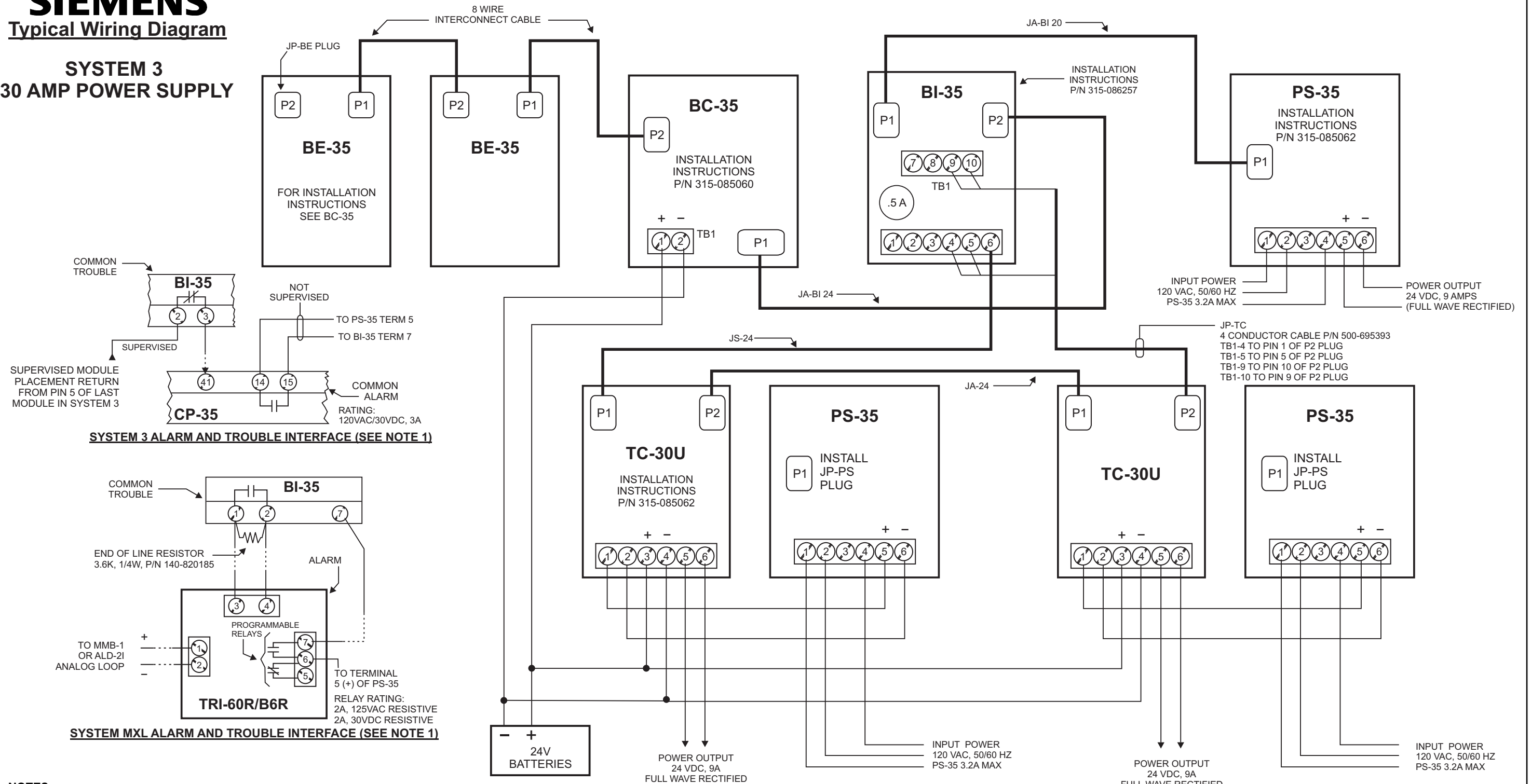
Siemens Building Technologies, Ltd.
Fire Safety & Security Products
2 Kenview Boulevard
Brampton, Ontario L6T 5E4 Canada

P/N 315-086257-10

SIEMENS

Typical Wiring Diagram

SYSTEM 3 30 AMP POWER SUPPLY



NOTES:

- Transfer of BI-35 trouble contact will transmit a trouble to the main system and deactivate battery charger. When using TRI-60R or TRI-B6R to interface to MXL/MXL-IQ System, refer to *TRI-60R Installation Instructions*, P/N 315-092329 or *TRI-B6R Installation Instructions*, P/N 315-093315, as applicable.
- BI-35 trouble relay IK1 is shown in normally energized supervisory state.
- To provide ground fault protection, connect the PS-35, Terminal 6 shown above to System MXL DC minus supply (MMB-1/-2 TB-5, Terminal 9, or SMB-1/-2 TB-5, Terminal 9, or PSR-1 TB3, Terminal 2); or to System 3 DC minus supply (Terminal 6 of the System 3 PS-35).
- System input to BI-35 activates audible circuits and deactivates battery charger — normally zero volts; high to deactivate the battery charger.
- The calculated loading of the common battery for the 3 combined PS-35s must not exceed the maximum listed ratings for a single battery as shown in the *BC-35 Installation Instructions*, P/N 315-085060.
- TB positions 1-10 are power limited.