

Sinorix™ Engineered Fire Suppression Systems

Room Placards

Models CPY-SGN1, CPY-SGN2, CPY-SGN3, CPY-SGN4, CPY-SGN5, CPY-SGN6, CPY-SGN7, CPY-SGN8

ARCHITECT AND ENGINEER SPECIFICATIONS

- All Placards are in **Red**
- Eight (8) different placards available:
 - CPY-SGN1 – ‘Do Not Enter’
 - CPY-SGN2 – ‘Vacate Room’
 - CPY-SGN3 – ‘Operate Manual Pull...’
 - CPY-SGN4 – ‘System Release’
 - CPY-SGN5 – ‘Device Active...’
 - CPY-SGN6 – ‘...Do Not Enter’
 - CPY-SGN7 – ‘...Exit Room’
 - CPY-SGN8 – ‘Push & Hold’



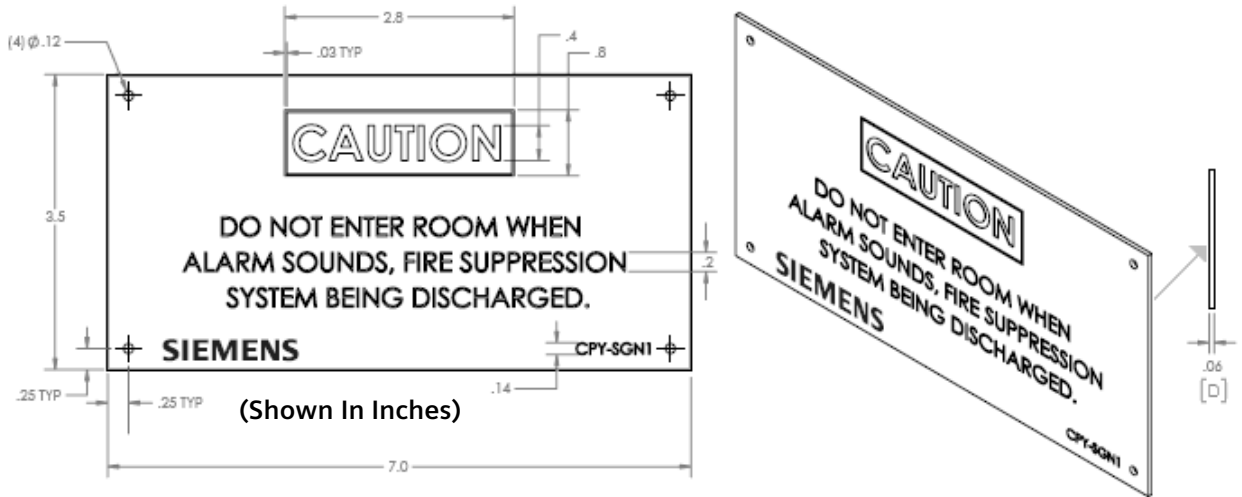
Product Overview

There are eight (8) different types of caution and notice room placards for Sinorix Engineered Fire Suppression Systems. Each placard is made in Gravoply1 Engraving Stock or equivalent. Each placard is red stock with engraved white lettering. Font size for each placard is representative to what is shown in this document. Each placard comes prepared with double-sided, fixed adhesive on the reverse. Each placard shall be wall mounted at eye level.

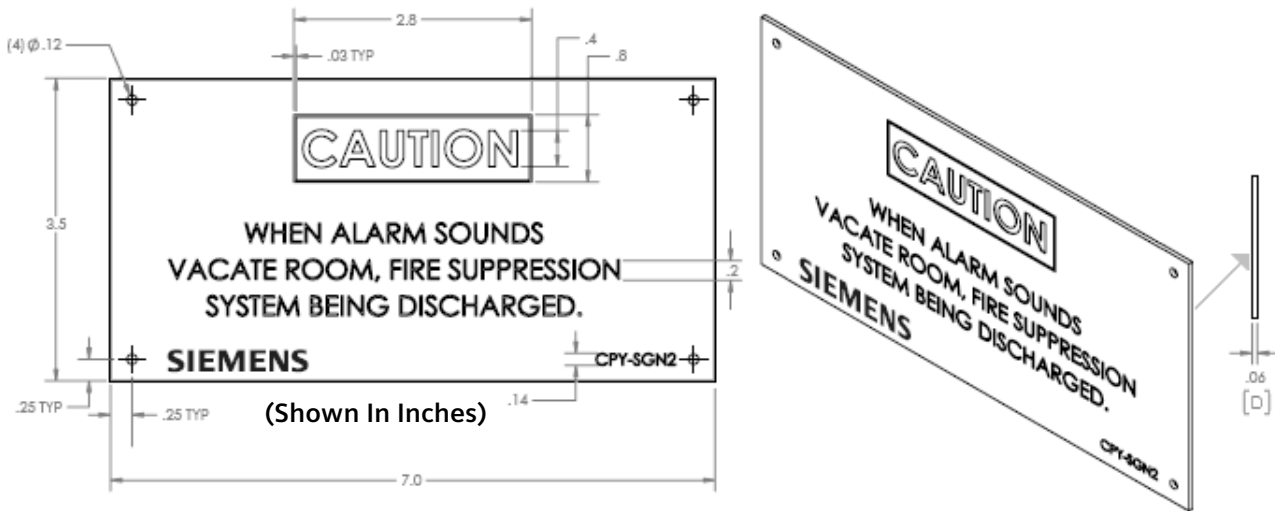
Details for Ordering

Model	Part Number	Description	Size	Mounting
CPY-SGN1	500-697976BG	"Do Not Enter Room When Alarm Sounds..."	3.5" –x– 7.0"	Adhesive
CPY-SGN2	500-697977BG	"When Alarm Sounds Vacate Room..."	3.5" –x– 7.0"	Adhesive
CPY-SGN3	500-697978BG	"Operation of Manual Discharge Will Result In Immediate Discharge..."	3.5" –x– 7.0"	Adhesive
CPY-SGN4	500-650229BG	"Sinorix 227 Extinguishing System Release"	4" –x– 4"	Adhesive
CPY-SGN5	500-650230BG	"Sinorix 227 Extinguishing System Discharge Alarm..."	4" –x– 4"	Adhesive
CPY-SGN6	500-650231BG	"Area Is Protected By Sinorix 227 Extinguishing System..."	3.5" –x– 7.0"	Adhesive
CPY-SGN7	500-650232BG	"Notice: "Sinorix 227 Extinguishing System Discharge Alarm..."	4" –x– 4"	Adhesive
CPY-SGN8	500-650233BG	"Sinorix 227 Extinguishing Abort Station - Push And Hold"	4" –x– 4"	Adhesive

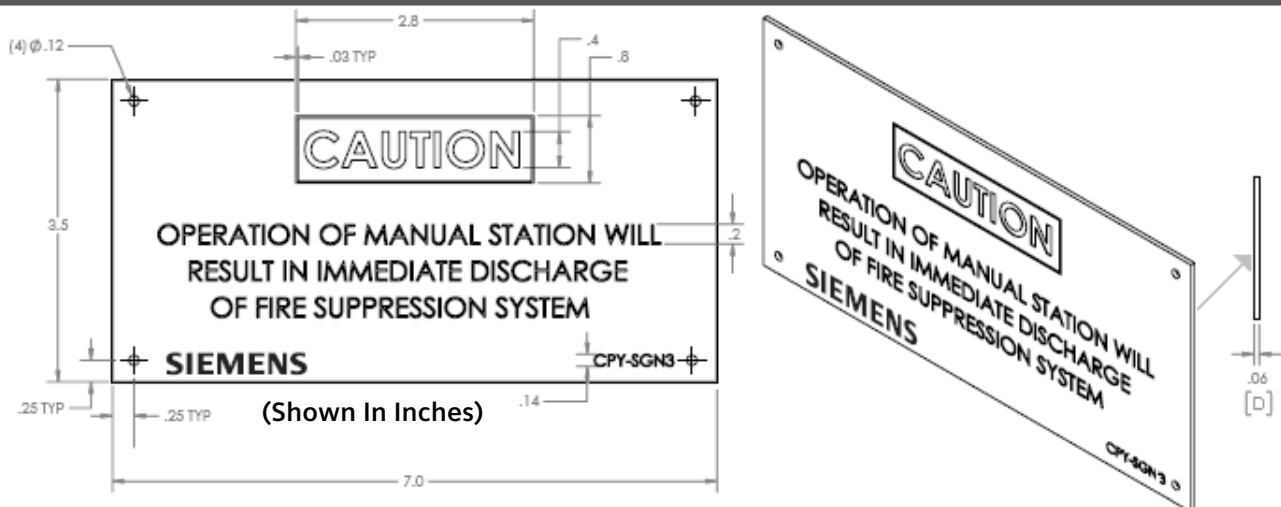
Mounting Diagrams [with Dimensions]



(CPY-SGN1) The sign has a **red** background with white letters.

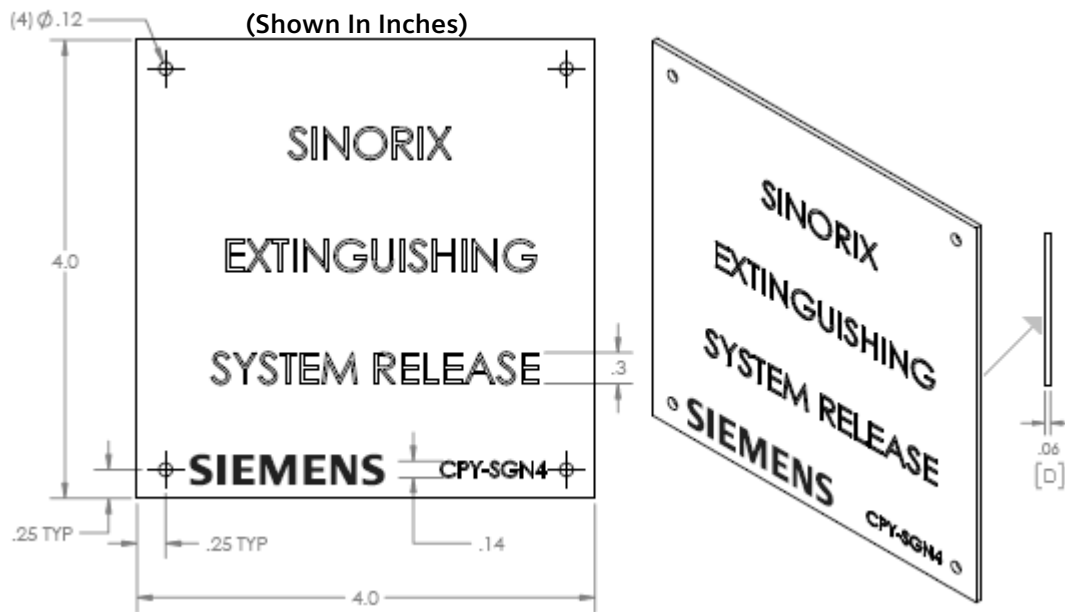


(CPY-SGN2) The sign has a **red** background with white letters.

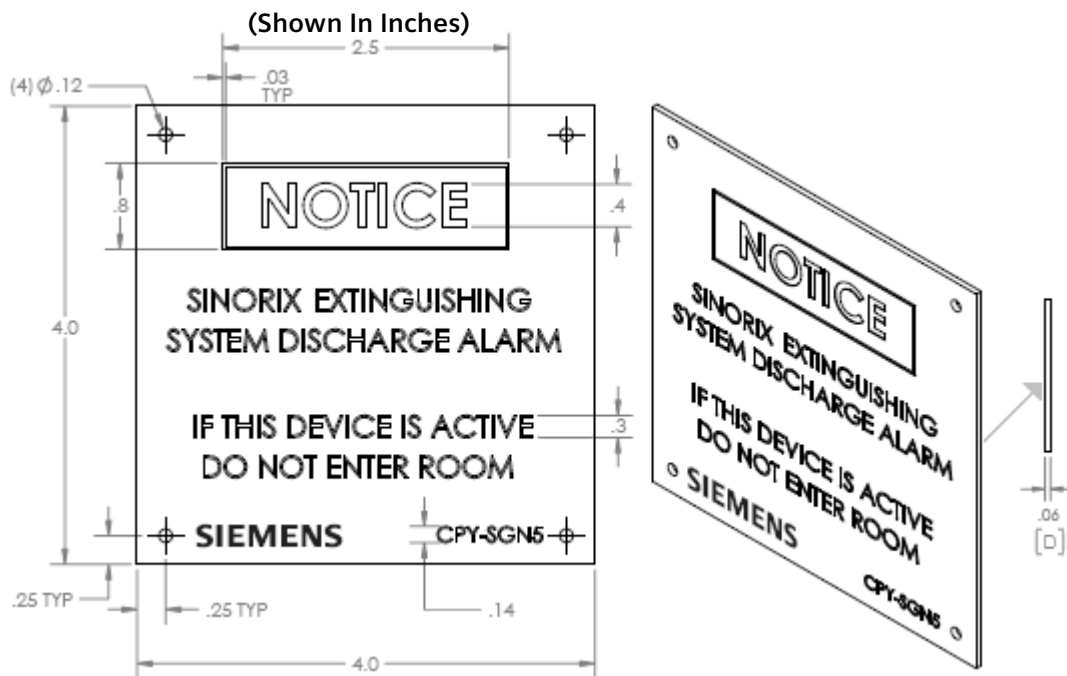


(CPY-SGN3) The sign has a **red** background with white letters.

Mounting Diagrams [with Dimensions] – continued

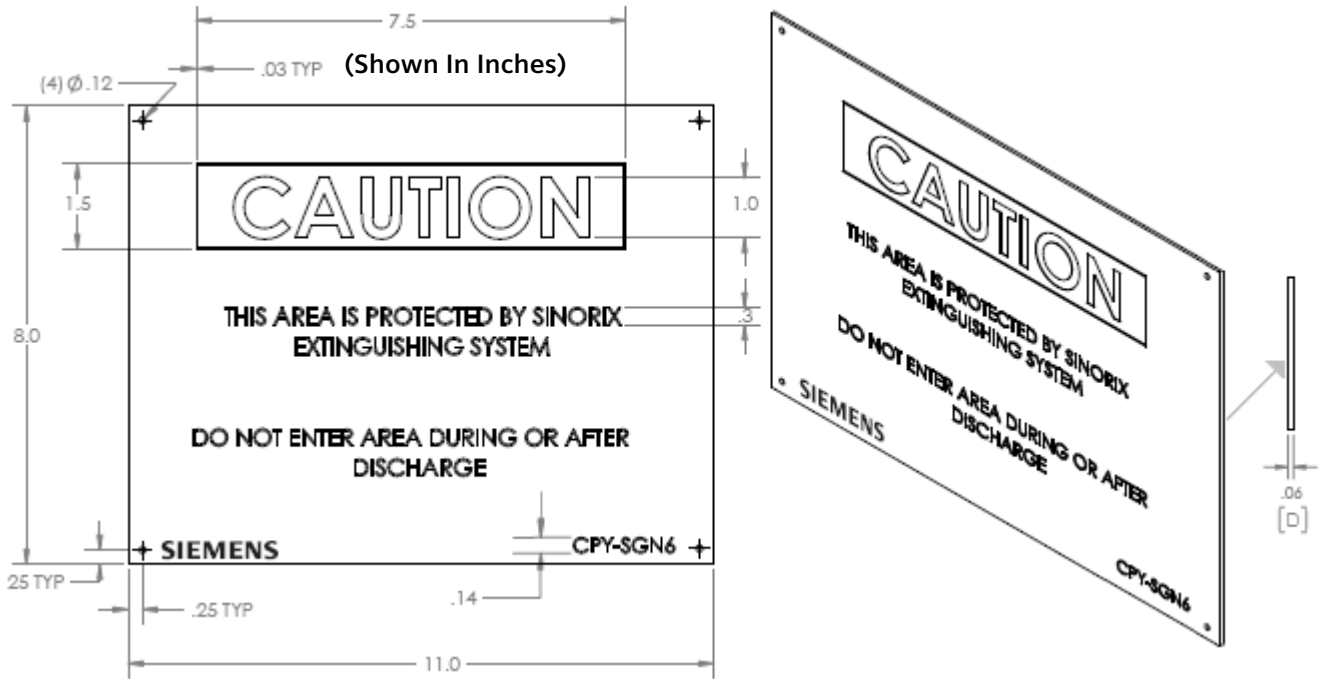


(CPY-SGN4) The sign has a **red** background with white letters.

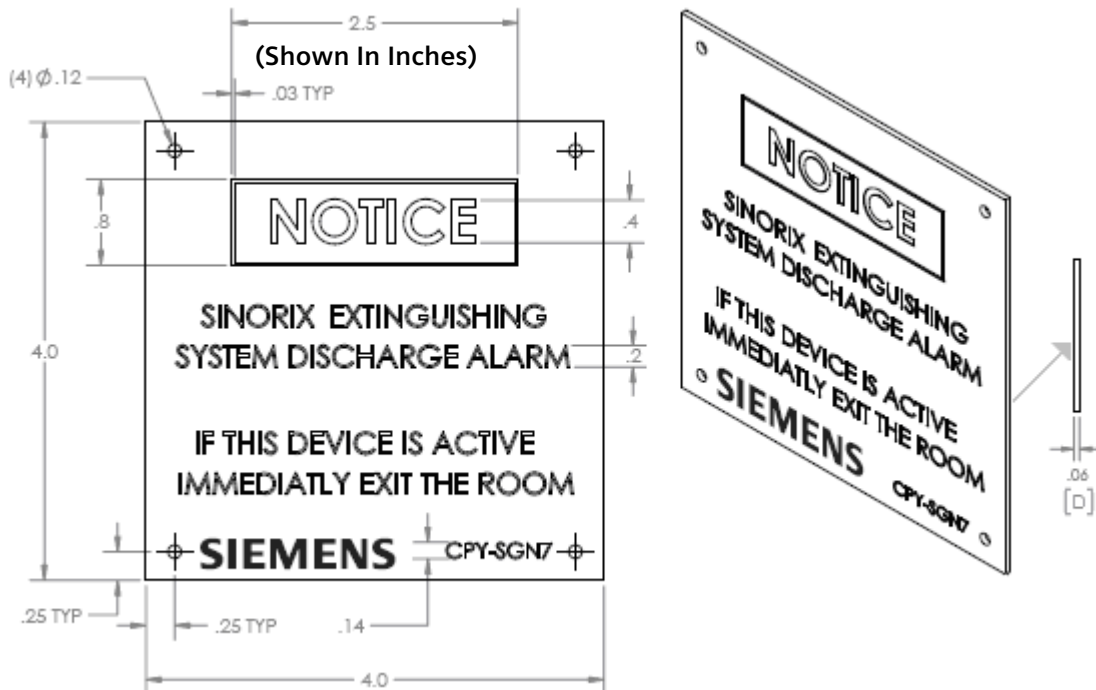


(CPY-SGN5) The sign has a **red** background with white letters.

Mounting Diagrams [with Dimensions] – continued

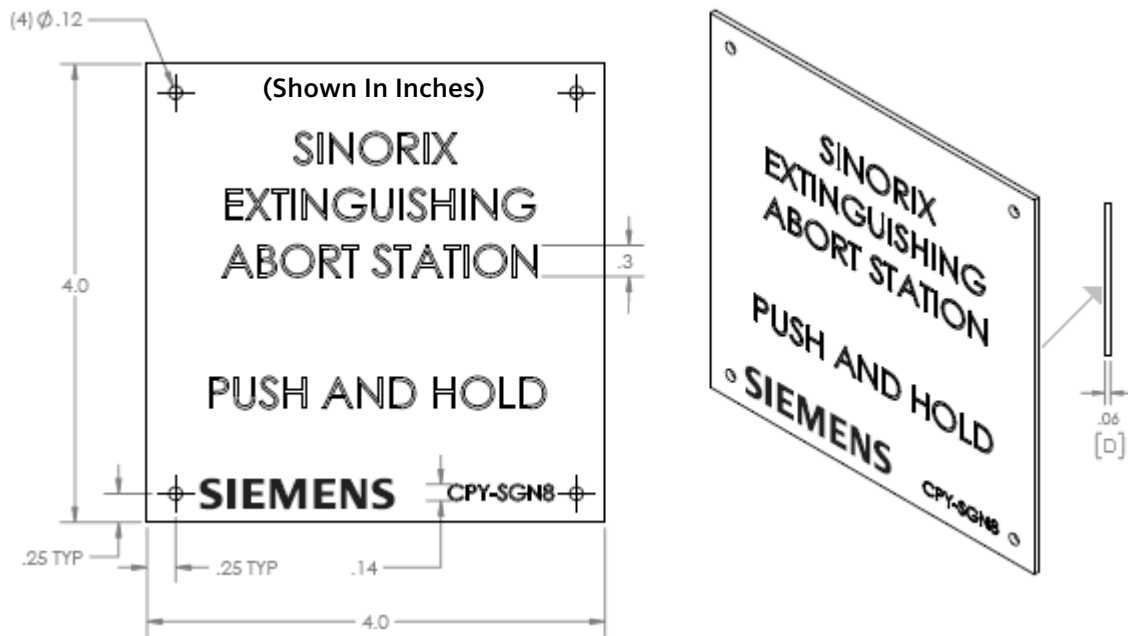


(CPY-SGN6) The sign has a **red** background with white letters.



(CPY-SGN7) The sign has a **red** background with white letters.

Mounting Diagrams [with Dimensions] – continued



(CPY-SGN8) The sign has a **red** background with white letters.

Notice: This marketing data sheet is not intended to be used for system design or installation purposes. For the most up-to-date information, refer to each product's installation instructions