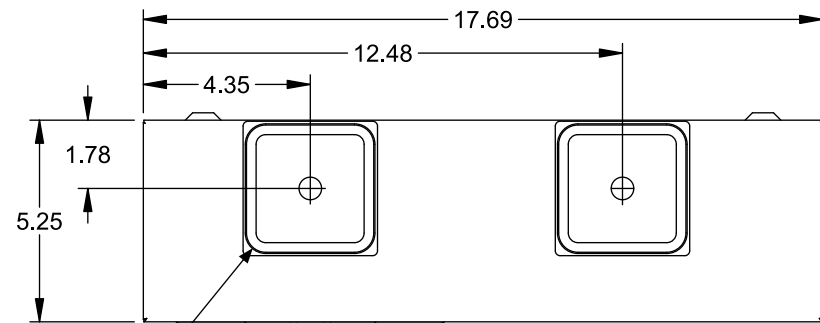


Catalog Number: MM0406L1200RHJB

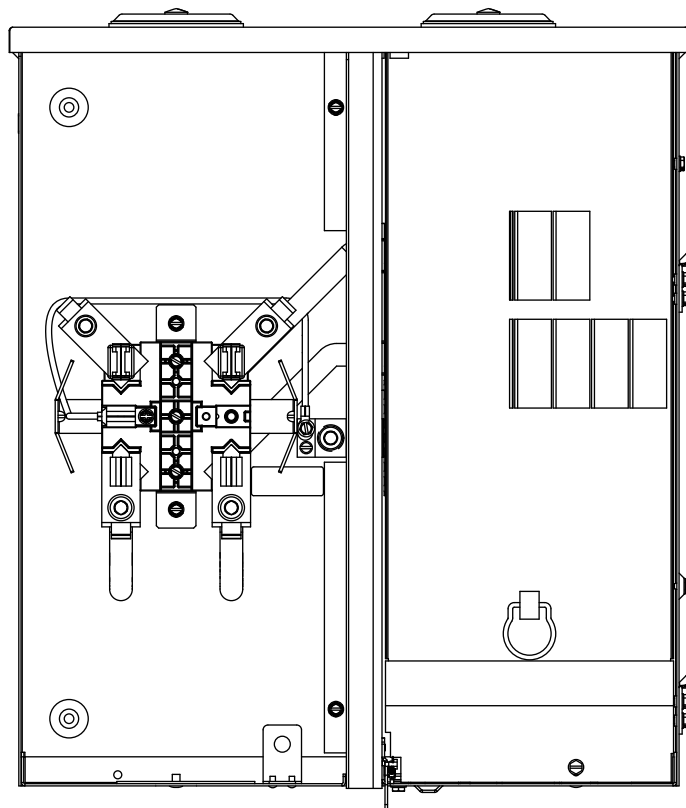
Features and Ratings

- Outdoor Enclosure (NEMA Type 3R)
- Ringless Meter Cover
- Meter Socket Rating: 200A Continuous
- 5th Jaw Installed in 9 o'Clock Position
- 1 Phase, 3 Wire, 120/240V~
- (4) 1" Spaces, (6) Circuits Max.
- 22,000 AIC Max. Rated (See Wiring Diagram for Details)
- Uses RX Type Hubs (Top), HC Type Hubs (Bottom)
- Overhead or Underground Service Entrance
- Horn Bypass
- 7/8" Barrel Lock KO and Bracket Included

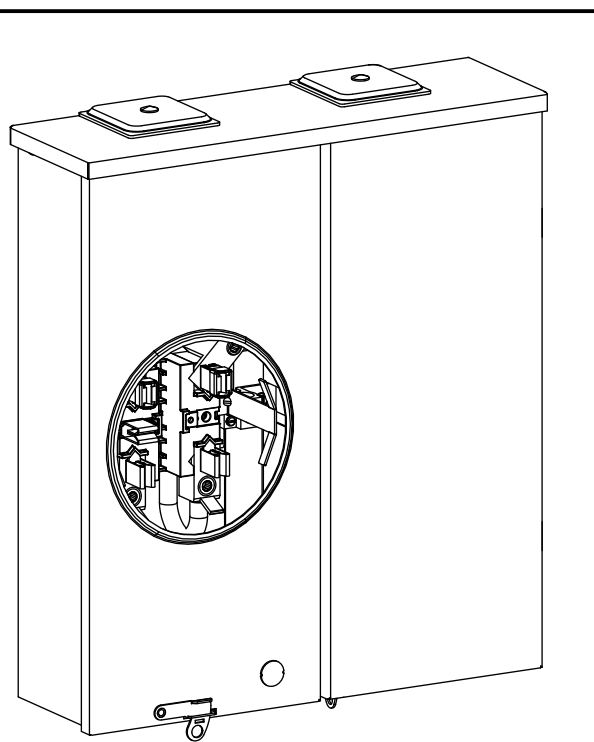
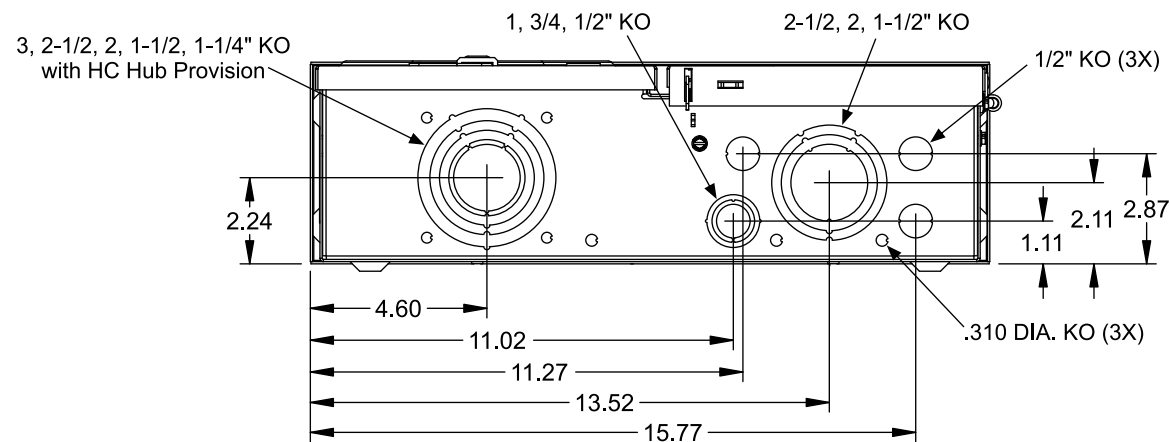
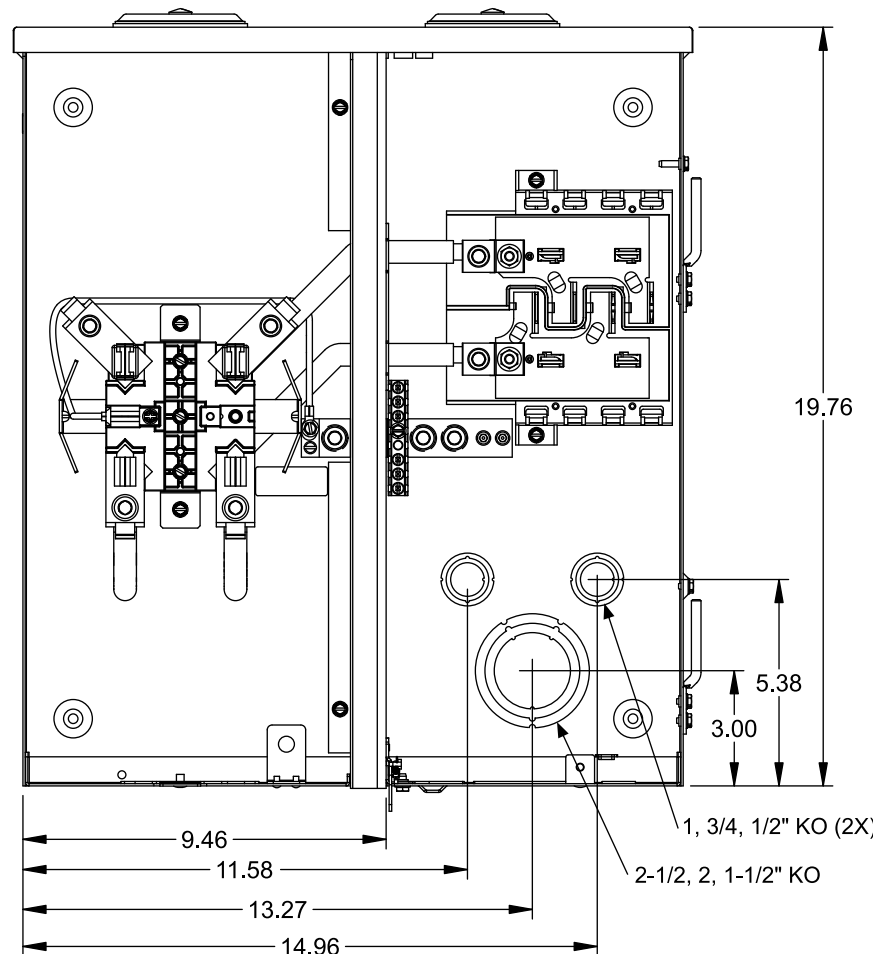


RX Type Hub Opening with Cover Plate Installed (2X)

View Shown Without Door, Cover



View Shown Without Door, Cover, Deadfront

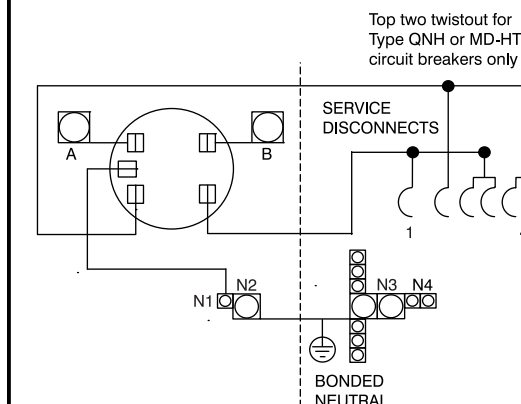


Accessories, Torques & Wire Sizes

| Trade size (in) | Catalog number |
|-------------------------------------|----------------|
| <i>RX Type Hub (top endwall)</i> | |
| 1 1/4" | EC38597 |
| 1 1/2" | EC38598 |
| 2" | EC38599 |
| 2 1/2" | EC38600 |
| RX Cover Plate | EC38595 |
| <i>HC Type Hub (bottom endwall)</i> | |
| 2" | ECHC200 |
| 2 1/2" | ECHC250 |
| 3" | ECHC300 |

| Accessories: | Cat. No. |
|--------------|----------|
| Filler Plate | ECQF3 |

Schematic



| Terminal | Wire Size | Torque |
|----------------|-------------------------|-----------|
| A, B | 250kcmil - #6 | 275 lb-in |
| N1 | #2 - #3 | 50 lb-in |
| | #4 - #6 | 45 lb-in |
| | #8 | 40 lb-in |
| | #10 - #14 | 35 lb-in |
| N2 | 250kcmil - #6 | 275 lb-in |
| N3 | 250kcmil - #4 | 275 lb-in |
| N4 | 1/0 - #14 | 120 lb-in |
| Neutral Bar | #10 - #14 CU/ | 20 lb-in |
| | #10 - #12 AL | |
| | #8 | 25 lb-in |
| | #6 - #4 | 35 lb-in |
| Branch Breaker | See Markings on Breaker | |

© 2018 Copyright Siemens Industry, Inc.

SIEMENS
Siemens Industry, Inc.

Meter Load Center Combination

Description: **200A Max, 4 Sp/6 Ckt, OH/UG, Ringless, 5th Jaw, Horn Bypass**

KAM 12/12/18 Fam D DO NOT SCALE DRAWING Dwg. No. **MM0406L1200RHJB**