

# General Duty Standby Power Panel

## 100 Amp, Type 3R (Outdoor)

### Standards and Ratings

- UL1008 listed as a non-automatic transfer switch (file # E315030)
- 10,000 AK RMS sym
- Type 3R outdoor rated
- Top type ECHS hub provision
- Factory installed neutral assembly
- Padlockable in the OFF position
- Suitable for use as service entrance equipment
- Factory installed equipment ground bar

### General Information

Catalog Number	Description	Ship. Wt. (lbs.)
DTLNF213NR	2 Pole, 3 Wire, 120/240V AC	16

### Description

Compact and economical device to transfer from a normal to an alternate power source. This panel contains two 100A, 2-pole circuit breakers interlocked in a "double throw" configuration. It supplies both overload and short circuit protection and is suitable for use as transfer equipment on optional stand-by systems as defined by article 702 of the NEC.

### Mechanical Lug Wire Ranges (60/75°C, Cu/Al)

Description	Wire Range
Line, Load and Neutral	(1) #14 - 1
Service Ground	(1) #14 - 4
Equipment Ground	(2) #14 - 4

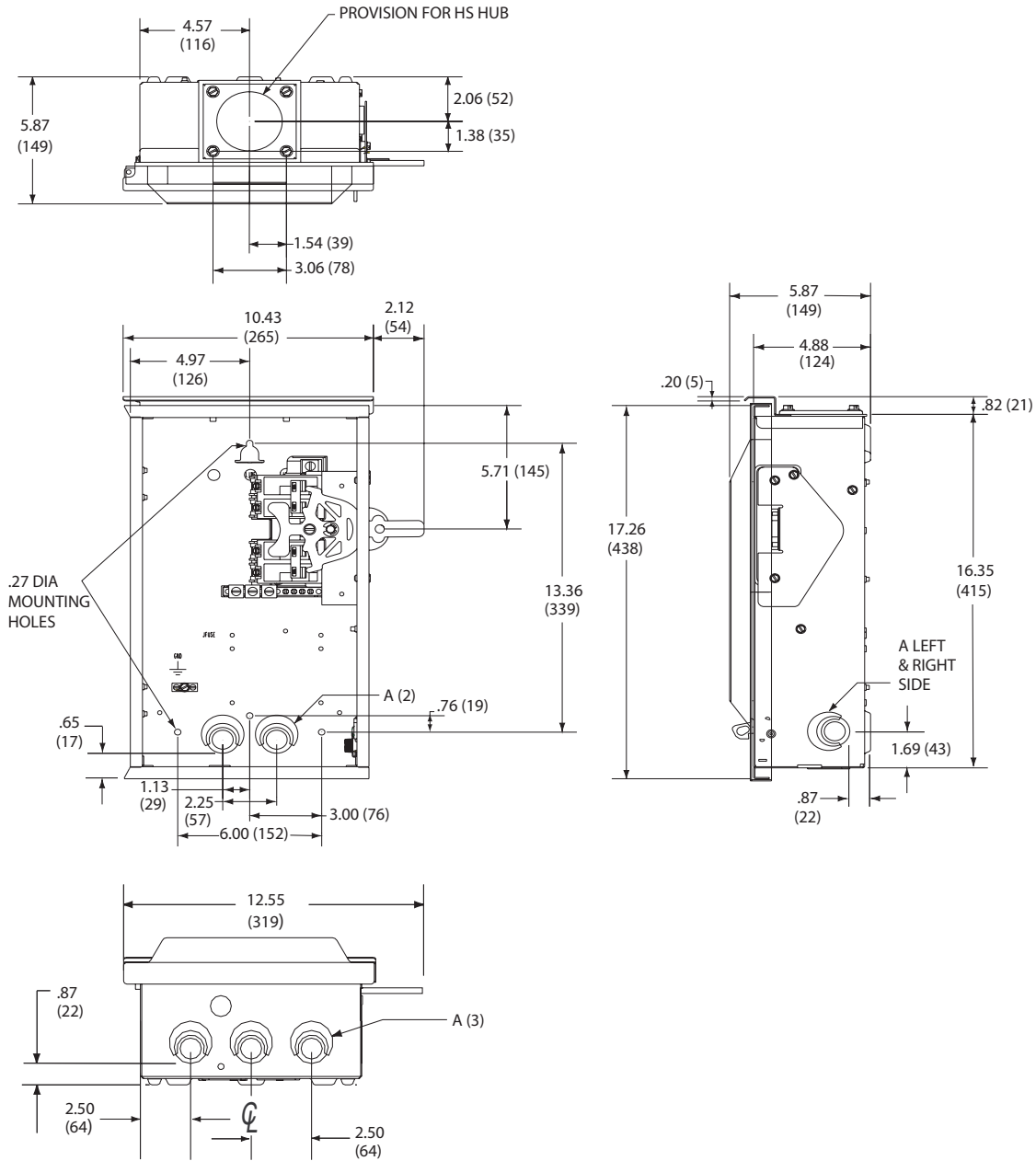
## Product Specification Sheet GD100.3

Answers for industry.

**SIEMENS**

# Product Specification Sheet #GD100.3 (page 2 of 2)

## Dimension Drawing



Dimensions shown in inches and millimeters ( ).  
Dimension shown accurate to  $\pm \frac{1}{8}$  inch.

KNOCKOUT CODE	CONDUIT SIZE			
	.50	.75	1.00	1.25
A (Tangential)				

Enclosure: Galvanized Steel  
.054 Thick (17 Gauge)  
Finish: ANSI Grey #61 Paint