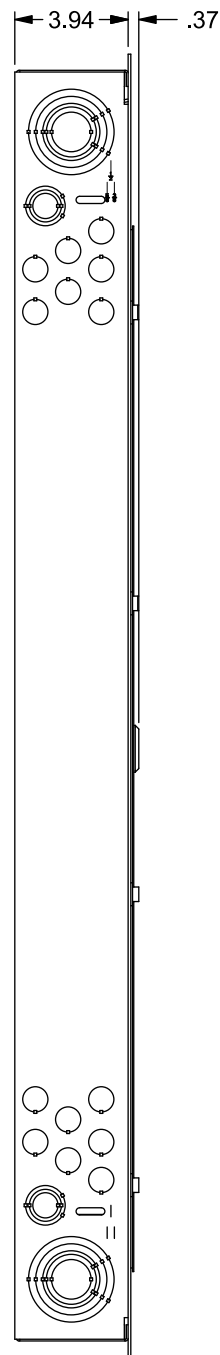
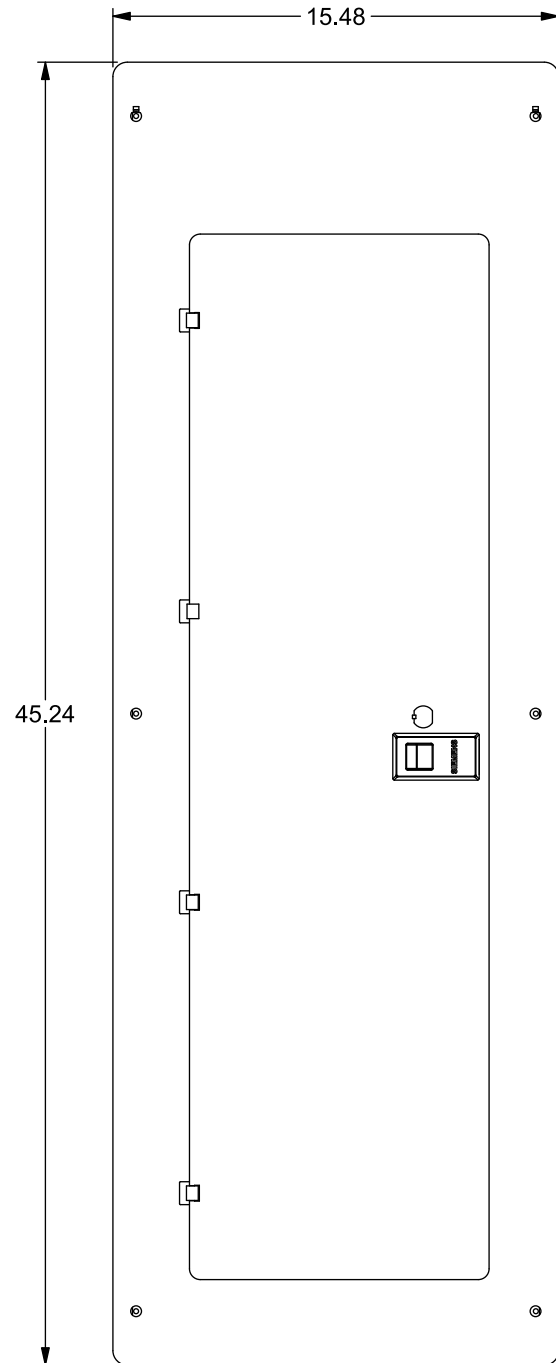


Catalog Numbers, Features and Ratings

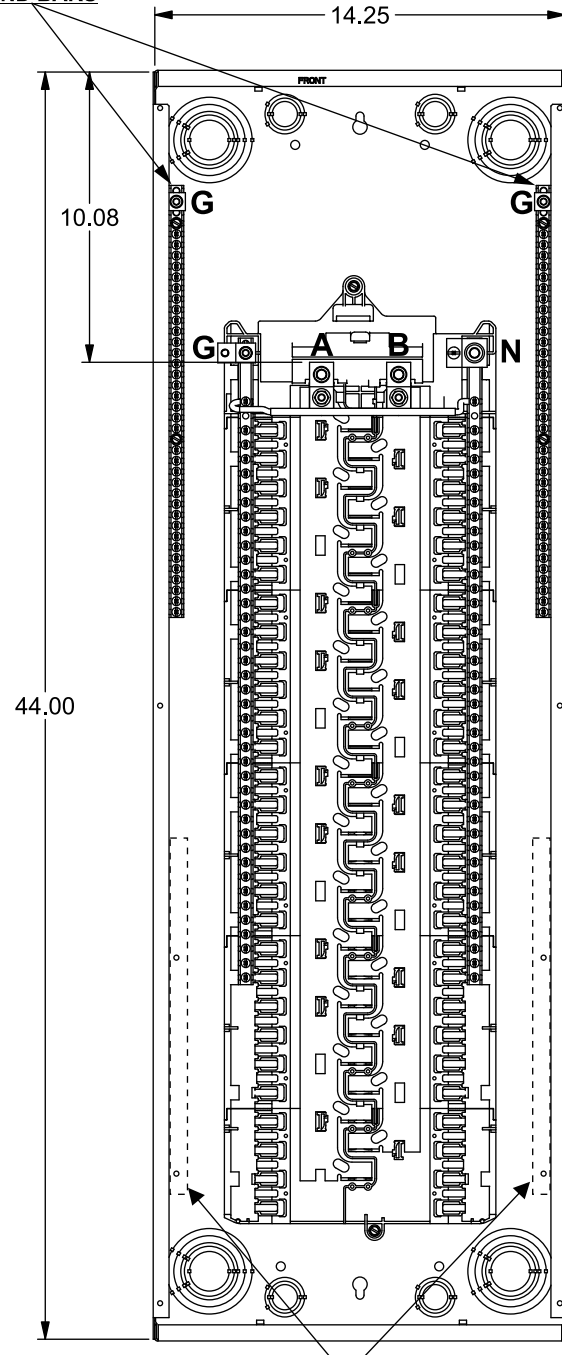
- 1 PHASE, 3 WIRE, 120/240V ~
- 100K AIC MAX. (SEE WIRING DIAGRAM FOR DETAILS)
- CONVERTIBLE TO MAIN BREAKER
- INVERTIBLE
- TYPE N1 INDOOR ENCLOSURE
- ANSI 61 GRAY POWDER COATED ENCLOSURE (SEE CHART FOR TRIM/DOOR COLOR)
- FULL LENGTH NEUTRALS
- DESIGNED FOR USE WITH WIREGUIDE™ CIRCUIT BREAKERS



Catalog Number	ENCLOSURE DIMS			Amps Max	Number Spaces	Number Circuits	Bus Bar Material	Bus Bar Plating	Trim Color
	L	W	D						
P5480L1225ACU	44.00	14.25	3.88	225	54	80	Copper	No	Gray
P5480L1225ACUW	44.00	14.25	3.88	225	54	80	Copper	No	White

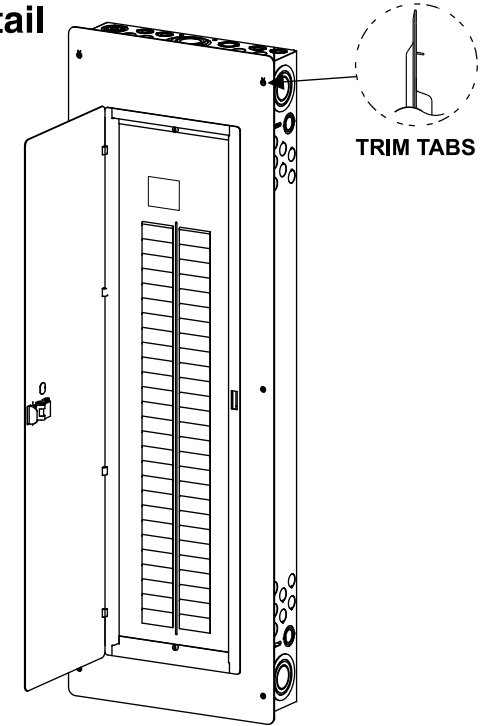


VIEW SHOWN WITH TRIM ASSEMBLY REMOVED

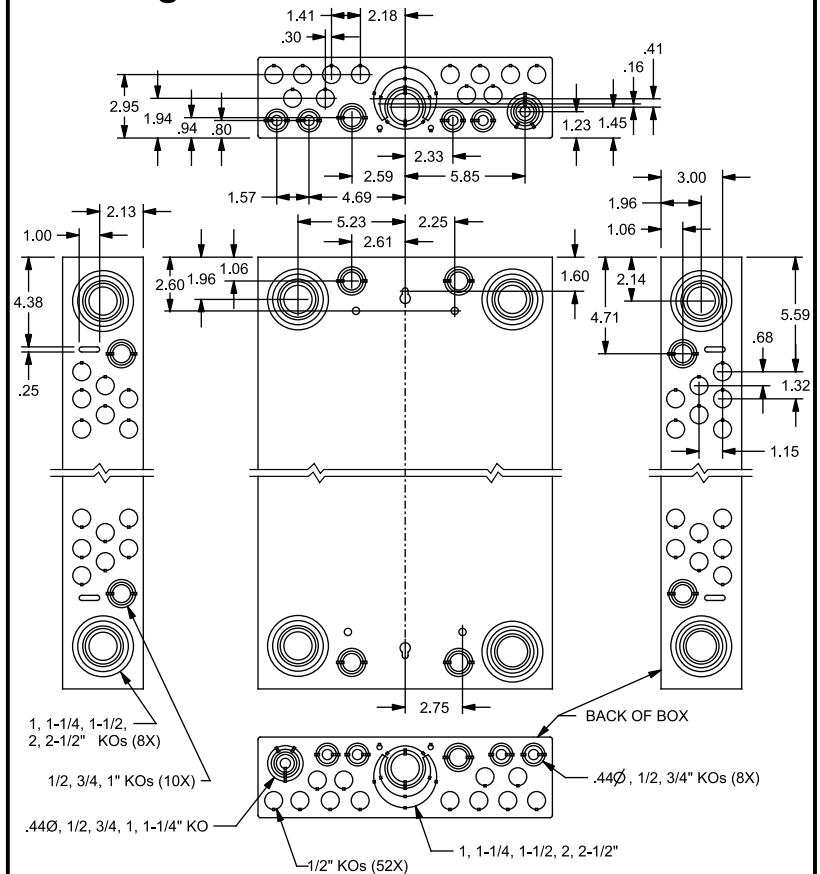


PROVISIONS FOR FIELD INSTALLED GROUND BARS

Trim/Door Detail



KO Diagram



TERMINAL WIRE SIZES AND TORQUES

USE COPPER OR ALUMINUM 60°/75°C WIRE
SEE BREAKER MARKINGS FOR WIRE SIZE AND TORQUE REQUIREMENTS.
SERVICE CONDUCTORS FED THROUGH OPPOSITE ENDWALL OF MAIN TERMINALS ARE RESTRICTED TO 4/0 AWG MAX.

TERMINALS	WIRE	TORQUE
A, B	300kcmil - 4 AWG	275 LB-INS
N	250kcmil - 4 AWG CU; 300kcmil - 4 AWG AL	275 LB-INS
G	2/0-4 AWG	110 LB-INS
NEUTRAL/GROUND BARS (USE TYPE EC3GB GROUND BAR KIT ACCESSORY)	10-14 CU/10-12 AL 8 AWG 6-4 AWG	20 LB-INS 25 LB-INS 35 LB-INS
GROUND CONDUCTORS ONLY	(2)or(3) 14 AWG (2) 12-10 AWG	20 LB-INS 20 LB-INS
ECLK1-2 NEUTRAL LUG KIT	2/0-2 AWG	45 LB-INS
ECLK2 NEUTRAL LUG KIT	2/0-4 AWG	135 LB-INS
ECLK3 NEUTRAL LUG KIT	300 kcmil - 1 AWG	340 LB-INS
MAIN LUG/MAN BRKR TO BUS CONNECTION (1/4-20 NUT)		45 LB-INS
BONDING SCREW		45 LB-INS

ACCESSORIES

REFER TO WIRING DIAGRAM FOR CORRECT ACCESSORY USAGE

DESCRIPTION	CAT. NO.
DOOR LOCK	ECQFL2
FILLER PLATE, 1"	QF3
QP BREAKER HOLD-DOWN	ECMBR2
QNR LINE TERMINAL BARRIER	ECLTB3
BONDABLE GROUND LUG	ECLKB1
SUBFEED LUG KITS: ECLK2125, ECLK2150, ECLK2225	
STANDBY PWR INTERLOCK KITS: ECSPBK01, ECSPBK02, ECSPBK03, ECSPBK05, ECSPBK06, ECSPBK07	

MAIN LUG / MAIN BREAKER KITS

USE APPROPRIATE KIT FROM CHART BELOW TO CONVERT PANEL

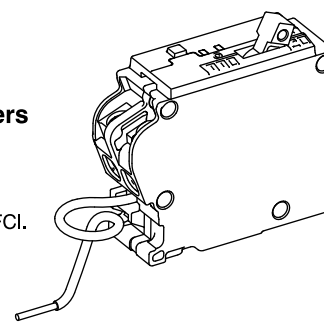
DESCRIPTION	CAT. NO.
150 AMP MAIN BREAKER	MBK150A
200 AMP MAIN BREAKER	MBK200A
225 AMP MAIN BREAKER	MBK225A
150-225 AMP MAIN LUG	ECMLK225

GROUND BAR KITS

DESCRIPTION	CAT. NO.
TYPE EC3GB KIT, 21 SCREWS	EC3GB21
TYPE EC3GB KIT, 21 SCREWS, 2/0 LUG	EC3GB212
TYPE EC3GB KIT, 27 SCREWS	EC3GB27
TYPE EC3GB KIT, 27 SCREWS, 2/0 LUG	EC3GB272
TYPE EC3GB KIT, 30 SCREWS	EC3GB30
TYPE EC3GB KIT, 30 SCREWS, 2/0 LUG	EC3GB302
TYPE EC3GB KIT, 35 SCREWS, 2/0 LUG	EC3GB352

Designed for use with WireGuide™ Circuit Breakers

Pre-trimmed and ready to install.
Decreased installation time.
Available in Dual Function and AFCI.



© 2019 Copyright Siemens Industry, Inc.

SIEMENS
Siemens Industry, Inc.

WireGuide™ Load Centers

Description: **PL Series, 1 Phase, Indoor, 225A, 54 Position, Main Lug**

KAM 10/15/19 DO NOT SCALE DRAWING Dwg No. **P5480L1225ACU-W**