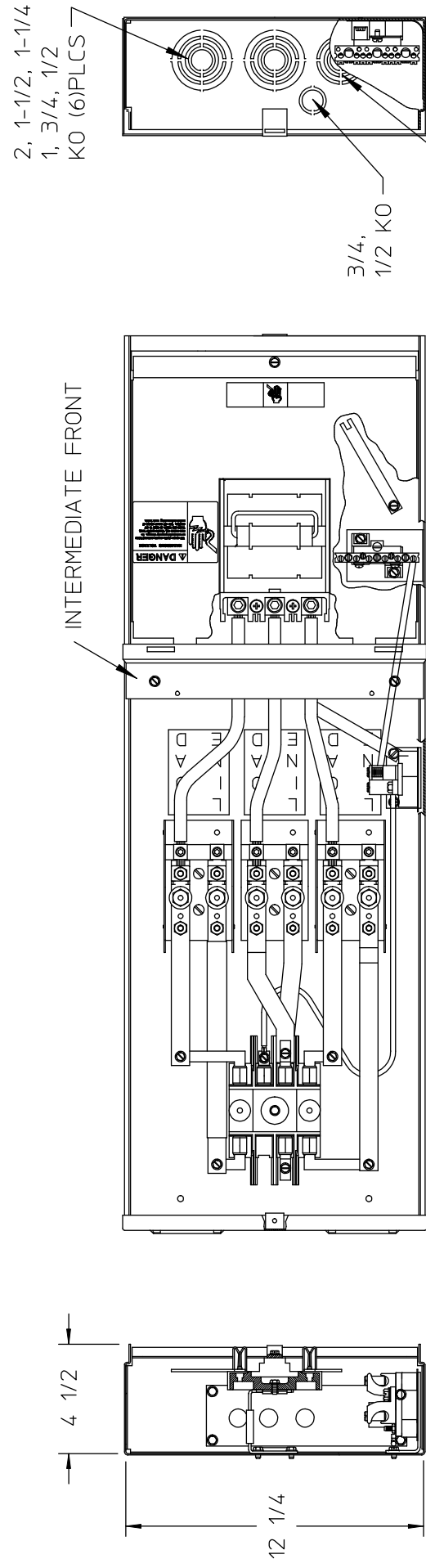
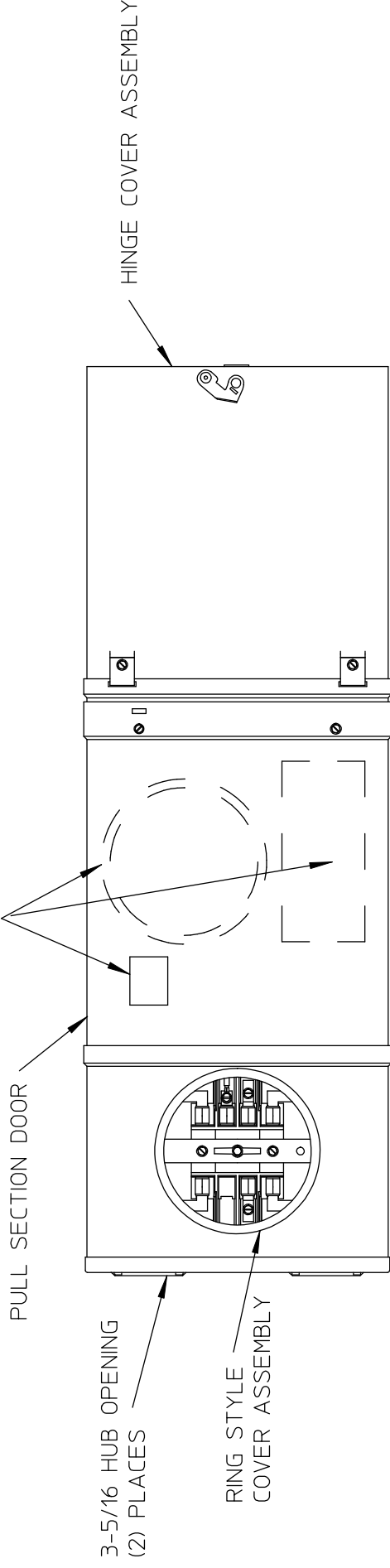


SEE NOTE 4



1-1/2, 1-1/4,
1, 3/4, 1/2 KO

SIZE	CAT. NO
1 1/4"	EC38597
1 1/2"	EC38598
2"	EC38599
2 1/2"	EC38600

CATALOG NO. MM0303F3100EY

TYPE 3R ENCLOSURE (RAINPROOF) TOP FEED ONLY.

PULLOUT SWITCH LOCATION BOTTOM

SUITABLE FOR USE AS SERVICE EQUIPMENT WHEN NOT MORE THAN SIX MAIN DISCONNECTING MEANS ARE PROVIDED. WHEN USED AS SERVICE EQUIPMENT, BOND NEUTRAL AND APPLY "SERVICE DISCONNECT" LABEL NEAR THE DISCONNECT HANDLE.

DEVICE RATING: 100 AMPS MAXIMUM; 208Y/120 VAC OR 240/120 VAC DELTA* THREE PHASE, FOUR WIRE.

METER SOCKET RATING: 100 AMPS CONTINUOUS.

*CONNECT DELTA HIGH PHASE (208 VAC TO GROUND) TO THE RIGHT HAND TEST BLOCK.

THIS DEVICE HAS A MAXIMUM SHORT CIRCUIT RATING OF 100,000 RMS SYMMETRICAL AMPERES AT 240 VAC MAXIMUM. (WATTHOUR METER NOT INCLUDED IN THE SHORT CIRCUIT CURRENT RATING). WHEN 300 VOLT CLASS T FUSES ARE INSTALLED; REPLACEMENT PULLOUT SWITCH MUST BE OF THE SAME TYPE, RATING AND MANUFACTURER.

TERMINAL RANGES - AWG AND TORQUE (LB-IN) TERMINALS RATED AL/CU EXCEPT AS NOTED.

PHASE LINE: #2/0-6; TORQUE (110)

NEUTRAL LINE: #1/0-14;

TORQUE #1/0-3 (50), #4-6 (45), #6 (40), #10-14 (35)

NEUTRAL LOAD, SERVICE GROUND: #1/0-14CU, #1/0-12AL (LARGE TERMINALS):

TORQUE #1/0-6 (45), #8 (40), #10-14 (35)

EQUIPMENT GROUND: #6-14CU, #6-12AL (SMALL TERMINALS):

TORQUE #6 (35), #8 (25), #10-14 (20).

TEST BLOCK CCICUIT CLOSING (DISCONNECT) NUT (5/8" ACROSS FLATS), TORQUE 50 LB-IN.

PULLOUT SWITCH LOAD: SIZE WIRE IN ACCORDANCE WITH DEVICE RATING AND WIRE BENDING SPACE. SEE MARKINGS ON PULLOUT FOR TORQUE REQUIREMENTS.

TERMINALS SUITABLE FOR USE WITH 60/75° C, AL/CU INSULATED WIRE.

FOR EQUIPMENT GROUND BAR ORDER ECLX SERIES, IF HUB IS REQUIRED SELECT FROM LIST BELOW.
RX TYPE HUBS

UNLESS OTHERWISE SPECIFIED DIMENSIONS ARE IN INCHES

TOLERANCES:

.XX

.XXX

HOLE DIAMETER

ANGULAR

UNDIMENSIONED 90° ANGLES

DWN	CJD	DATE	10-22-07	SIZE	DATE	SCALE
CHK		DATE		B		
APVD		DATE				

-CONFIDENTIAL-PROPERTY OF

Siemens Energy & Automation, Inc.

Residential Products Division

MTR SKT 100A 7T (2)HO EUSERC

ISSUE RELEASE NO.	DWG NO.	REV
	MM0303F3100EY	
SCALE	DO NOT SCALE DRAWING	SHEET 1 OF 1

NOTES:

- 1) FINISH: GRAY
- 2) CABINET: 16 GA GALV STEEL
- 3) 100 AMP, 120/240 VAC, 3 PHASE, 4 WIRE
- 4) SEALING RING, HUB COVER PLATE ASY, & NEMA INSTR SHEET PLACED INSIDE OF BOX BEFORE PULL-SECTION COVER IS SECURED.
- 5) UL LISTED - FILE E27485