

SIEMENS

BBKQRP1FK

P2 Filler Kit for QR Breaker

Installation Instructions



⚠ DANGER
Hazardous voltage. Will cause death or serious injury.
 Keep out. Qualified personnel only. Disconnect and lock off all power before working on this equipment.

This instruction sheet is for the BBKQRP1FK filler kit for a horizontally or vertically mounted 225A MAX QR breaker. This will work on P2 panelboards, both single or three phase, in the MAIN or SUBFEED or branch locations. **NOTE: Single-phase (2-pole), top fed, vertically mounted units are NOT supported (see Table 1).**

1. Lock off all power supplying this equipment before working on it.
2. Remove the panelboard front cover and deadfront.
3. Remove the old filler and dispose of properly.
4. Carefully remove the breaker.
5. Inspect this area and ensure the mounting bracket and connectors are in good shape and secure.

THESE 2 STEPS ONLY FOR QJ TO QR BREAKER CHANGE

A. A 3-pole QR breaker will mount exactly the same as the 3-pole QJ breaker it is replacing; however, 2-pole requires a change in connector configuration. For horizontal 2-poles, the long strap will need to be moved to match the mounting shown in Fig. 2. **NOTE: A vertical 2-pole main is NOT supported in the top fed location (see Table 1, below).**

B. Remove the QJ deadfront plate (where this new QR breaker is being installed) and replace with the QR deadfront plate, ensuring proper orientation.

OTHERWISE, PROCEED TO STEP 6

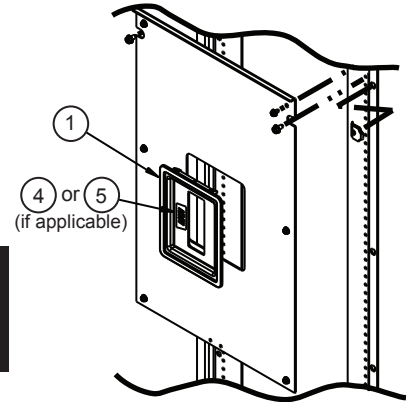


Figure 1
Vertically Mounted Main/Subfeed Filler

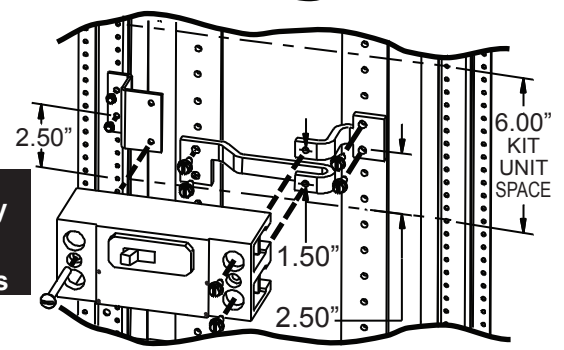


Figure 2
Horizontally Mounted 2-pole Connectors

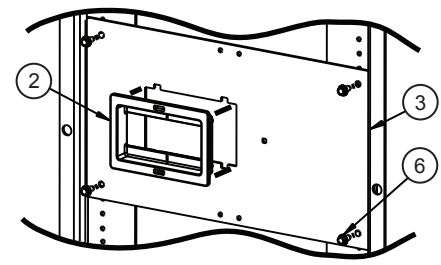


Figure 3
Horizontally Mounted Branch Filler

6. Follow the new QR breaker installation instructions.
7. Install the P2 QR filler (provided in this kit) into the front of the QR deadfront plate by first inserting the clips on one side of the opening and then rocking the other side into position until it firmly "clicks" into place.
8. This kit includes two labels: one marked **MAIN** and the other marked **SERVICE DISCONNECT**. For main breaker applications, apply the **MAIN** label (as shown). For service entrance panels, apply the **SERVICE DISCONNECT** label instead. Dispose of any labels that are not used.
9. **Before energizing the panel**, ensure that ALL connections have been properly torqued, that the deadfront is installed and that all fillers are in place.

Supported mounting & lug options for QR breaker:

This kit contains the following items:

ITEM	DESCRIPTION	QTY
1	QR Plastic Filler for Vertical P2	1
2	QR Plastic Filler for Horizontal P2	1
3	QR Deadfront Plate for Horizontal P2	1
4	MAIN Label	1
5	SERVICE DISCONNECT Label	1
6	#8-32 x 3/8" Hex Washer Head Screw	4

Table 1		Main vs Branch	3Ø vs 1Ø	Feed Location	Breaker Lug Location
Horizontally mounted	BRANCH	3	N/A	OFF end of breaker	
		1			
	MAIN	3	BOTTOM FEED		
		1	TOP FEED		
Vertically mounted	MAIN	3	BOTTOM FEED	ON end of breaker	
		1	TOP FEED	OFF end of breaker	
		3	BOTTOM FEED	NOT SUPPORTED	
		1	TOP FEED	NOT SUPPORTED	

These instructions do not purport to cover all details or variations in equipment, or to provide for every possible contingency to be met in connection with installation, operation or maintenance. Should further information be desired or should particular problems arise, which are not covered sufficiently for the purchaser's purposes, the matter should be referred to the local Siemens sales office. The contents of this Instruction manual shall not become part of or modify any prior or existing agreement, commitment or relationship. The sales contract contains the entire obligation of Siemens. The warranty contained in the contract between the parties is the sole warranty of Siemens. Any statements contained herein do not create new warranties or modify the existing warranty.

Trademarks-Unless otherwise noted, all names identified by © are registered trademarks of Siemens AG or Siemens Industry, Inc. The remaining trademarks in this publication may be trademarks whose use by third parties for their own purposes could violate the rights of the owner.