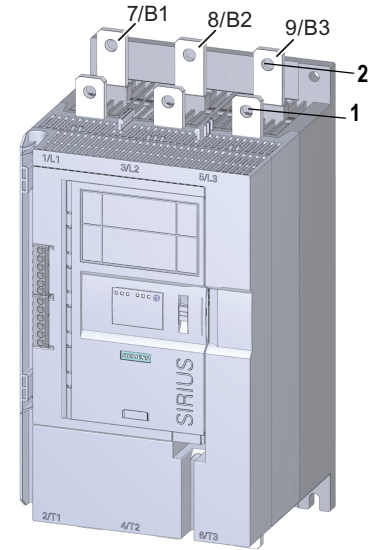
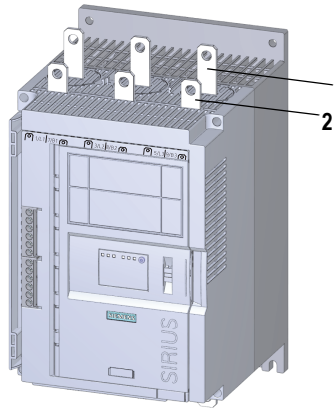
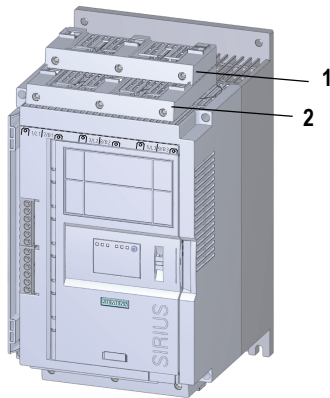
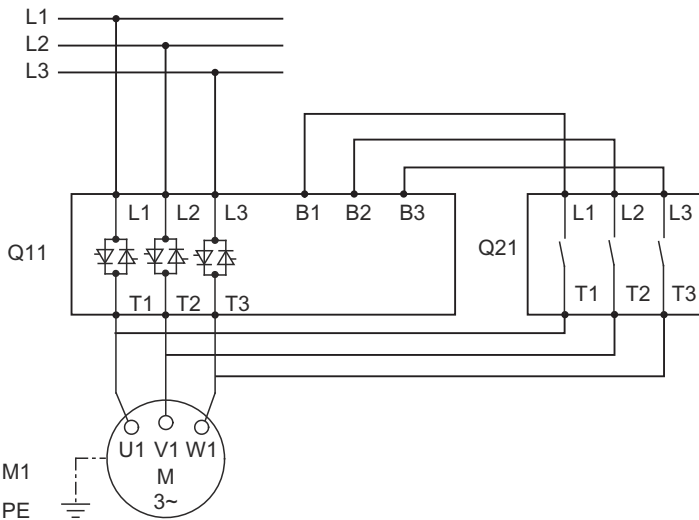


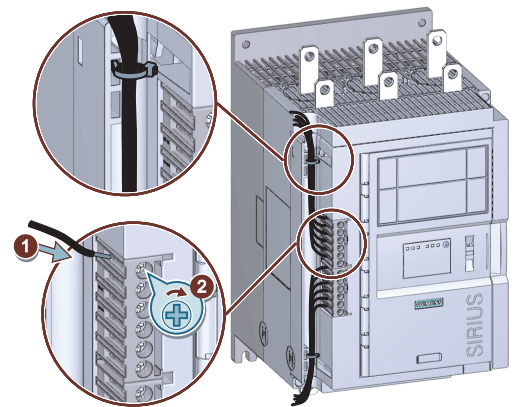
| | | | |
|----|--|------------------|--|
| EN | | ⚠ DANGER | Hazardous voltage. Will cause death or serious injury. Turn off and lock out all power supplying this device before working on this device. Installation and maintenance work on this device may only be carried out by an authorized electrician. |
| 中文 | | ⚠ 危险 | 危险电压。将导致死亡或严重的人身伤害。 操作本设备前必须切断并锁定所有供电电源。该设备的安装和维护工作仅能由具备专业资格的电工完成。 |
| EN | | ⚠ WARNING | Fire hazard. Short-circuit hazard. Property damage. Can cause death or serious injury. The soft starter is supplied with a protective cover to prevent foreign parts from entering the device during installation. Remove the protective cover before commissioning. |
| 中文 | | ⚠ 警告 | 火灾危险、短路危险、财产损失。将导致死亡或严重的人身伤害。 为了防止安装时有异物进入设备，软起动器交付时配有防护板。请在调试前去除防护板。 |



1 主回路连接 / Main circuit connection: 1/L1, 3/L2, 5/L3
2 旁路连接 / Bypass connection: 7/B1, 8/B2, 9/B3



控制回路连接 / Control circuit connection



技术热线 / Technical Hotline: 0400-810-4288
 传真 / Fax: (010)-6471-9991
 E-mail: siccc.cn@siemens.com
 网址 / Internet: www.siccc.cn



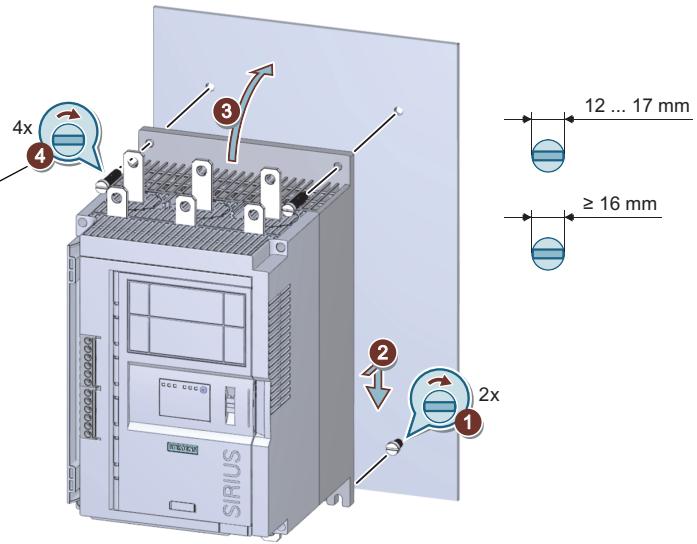
<http://support.industry.siemens.com>

109751348

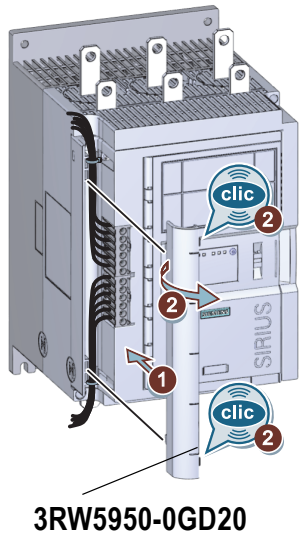
Information on Open Source software is available in the product documentation.



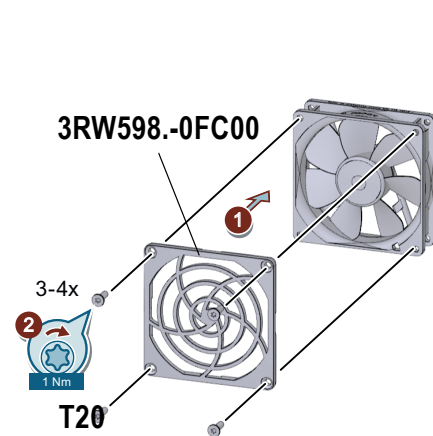
| | | |
|--------|----|------|
| 3RW511 | M6 | 5 Nm |
| 3RW512 | M6 | 5 Nm |
| 3RW513 | M6 | 5 Nm |
| 3RW514 | M8 | 8 Nm |



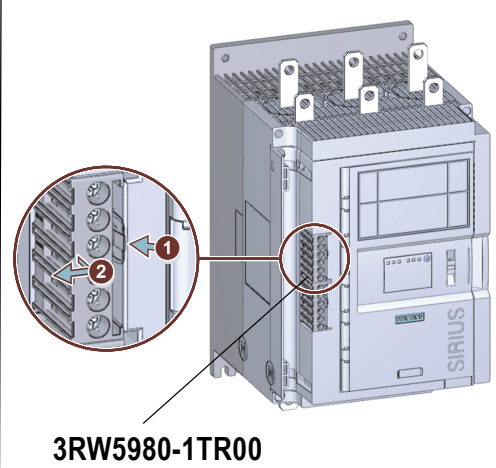
可选附件 / Optional Accessories



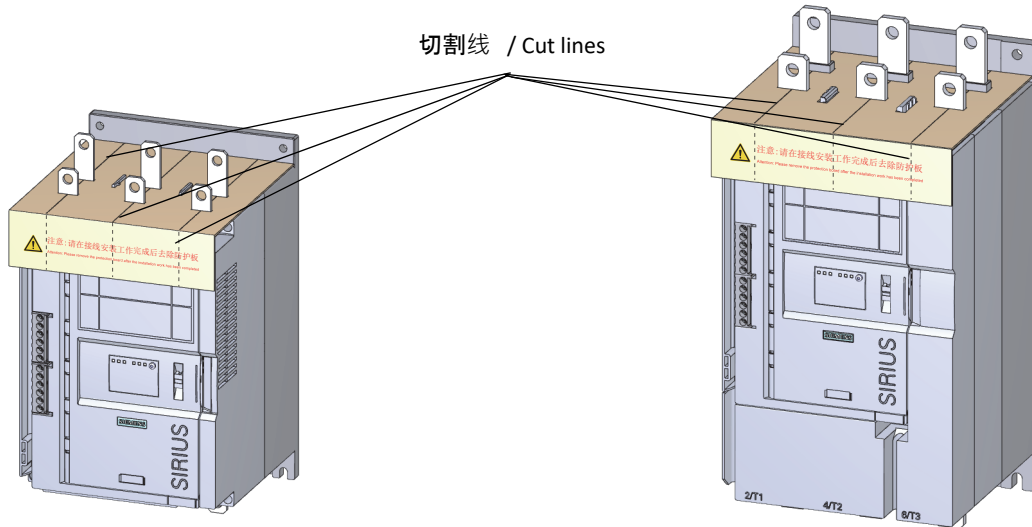
可选附件 / Optional Accessories



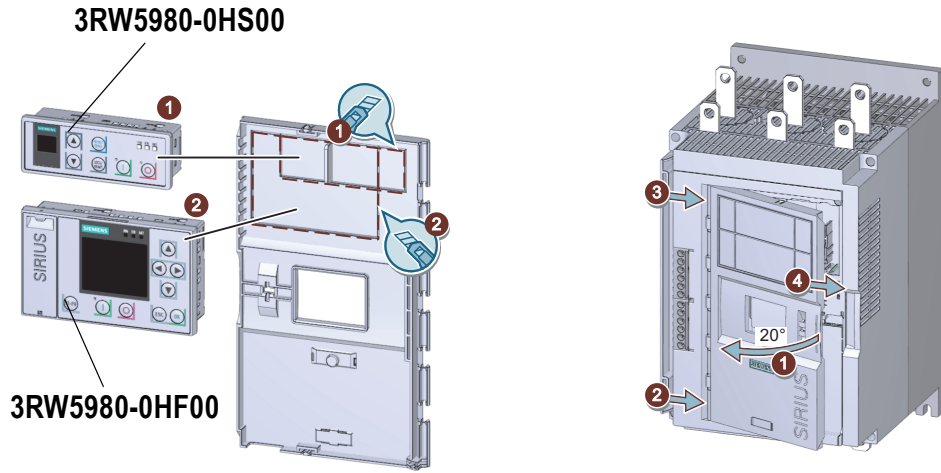
备件 / Spare part



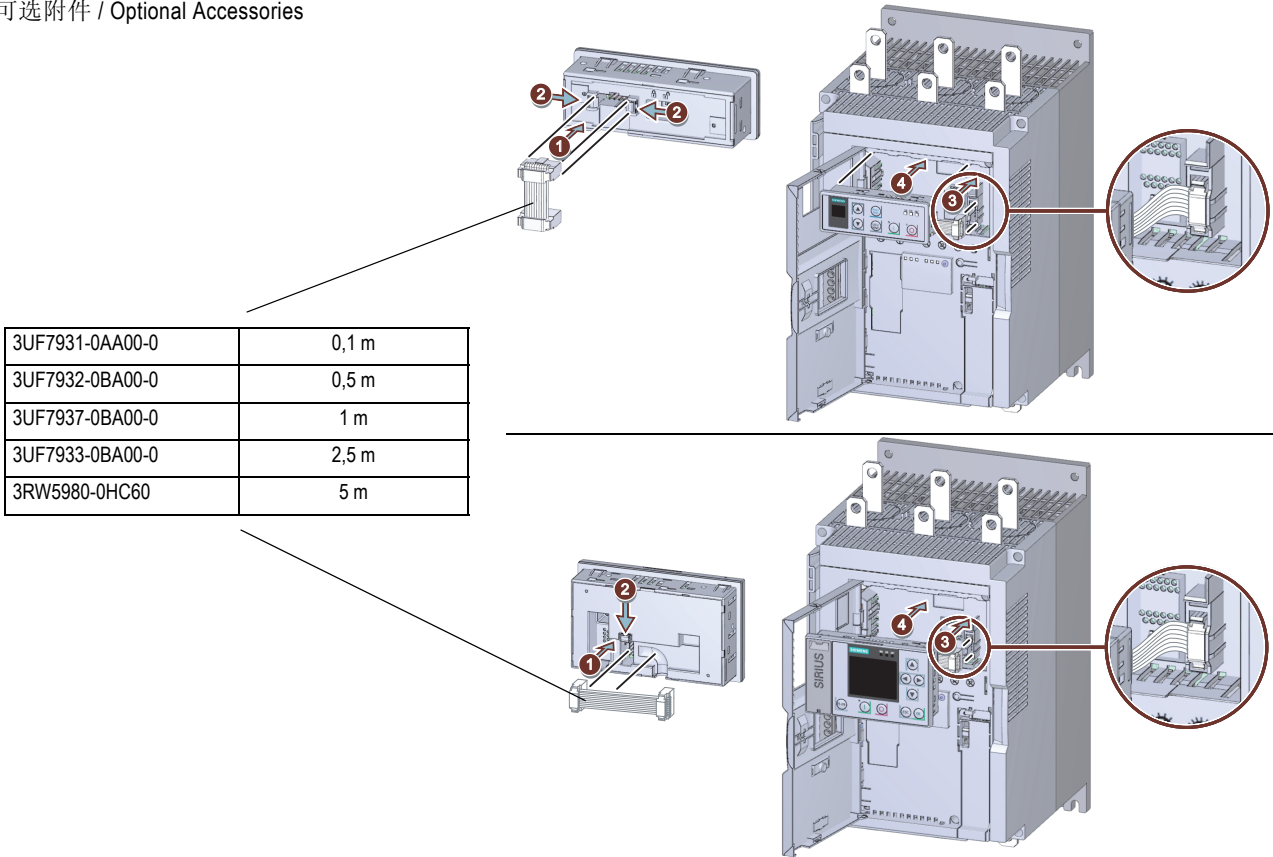
| | | |
|----|----------------|--|
| EN | WARNING | Fire hazard. Short-circuit hazard. Property damage. Can cause death or serious injury. The soft starter is supplied with a protective cover to prevent foreign parts from entering the device during installation. Remove the protective cover before commissioning. |
| 中文 | 警告 | 火灾危险、短路危险、财产损失。将导致死亡或严重的人身伤害。 为了防止安装时有异物进入设备，软起动器交付时配有防护板。请在调试前去除防护板。 |



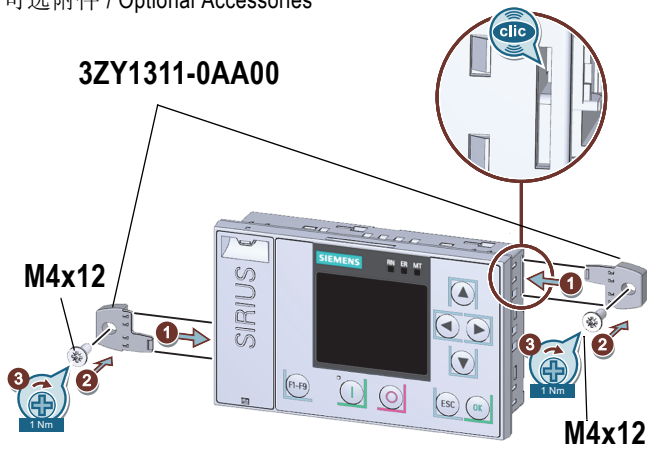
可选附件 / Optional Accessories



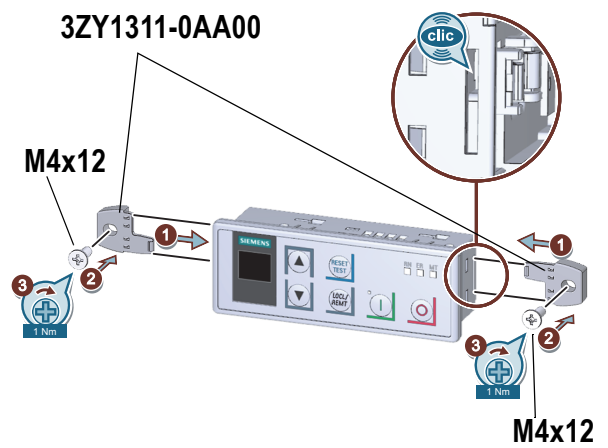
可选附件 / Optional Accessories

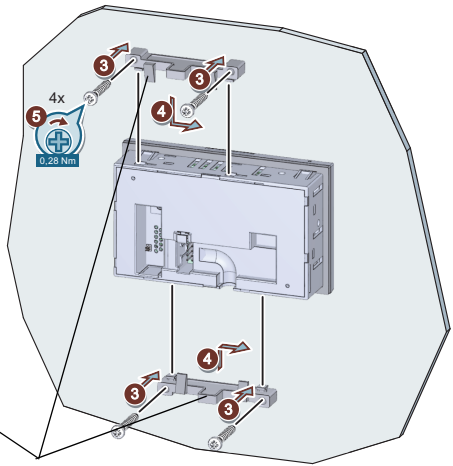
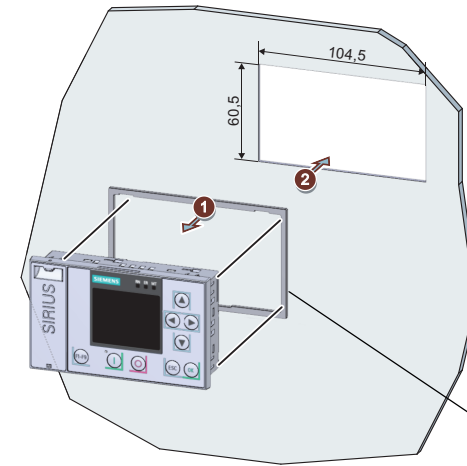
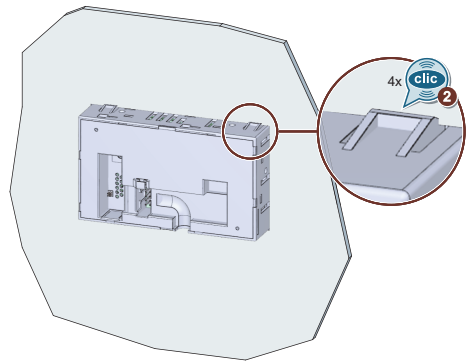
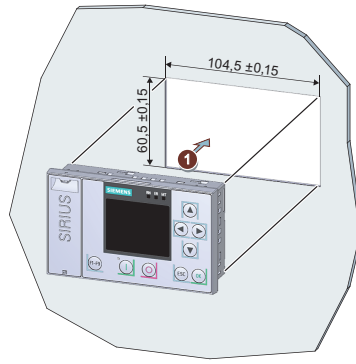
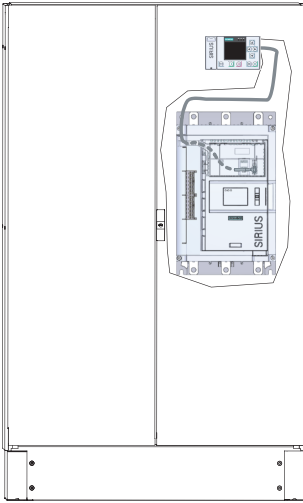


可选附件 / Optional Accessories



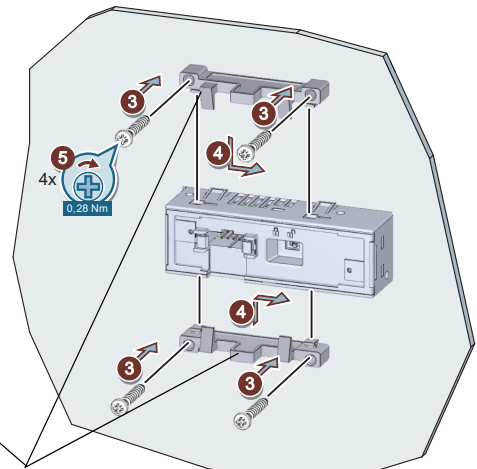
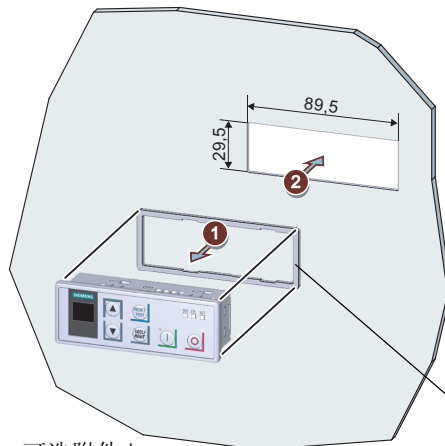
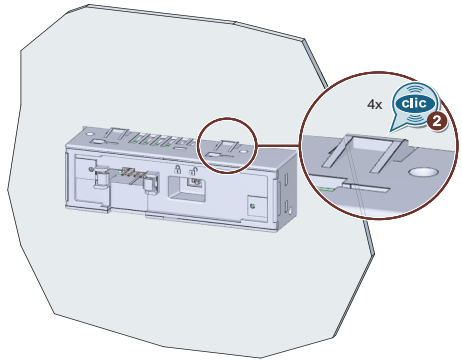
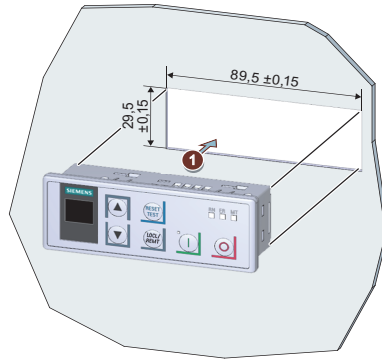
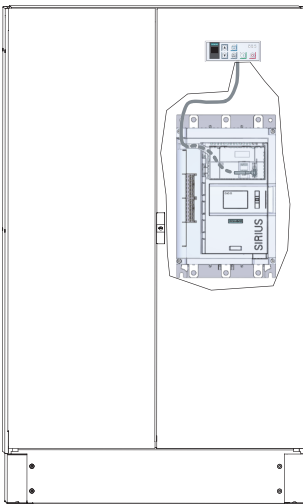
可选附件 / Optional Accessories





可选附件 /
Optional Accessories

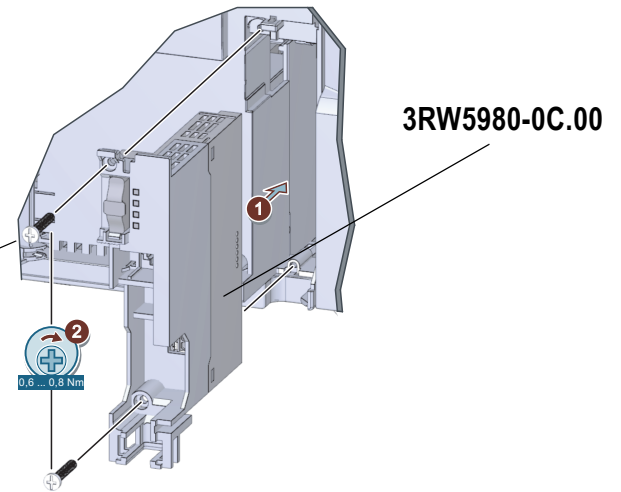
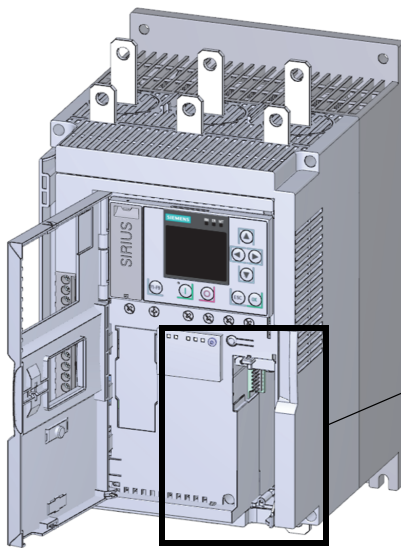
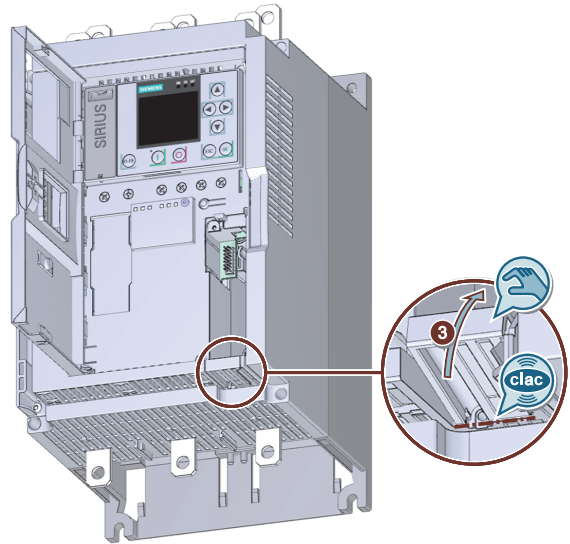
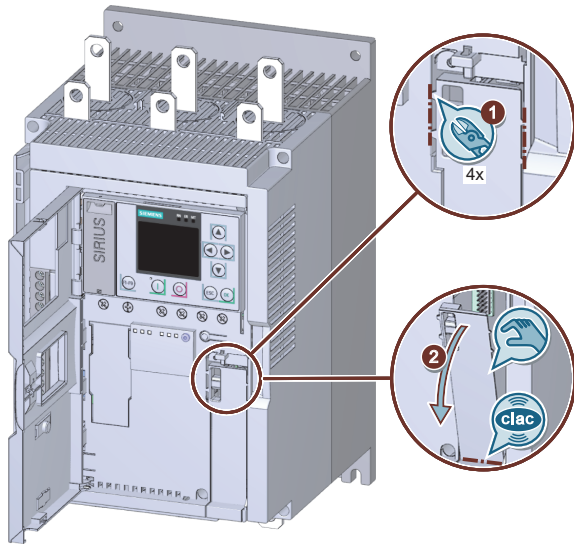
3RW5980-0HD00
(IP65)



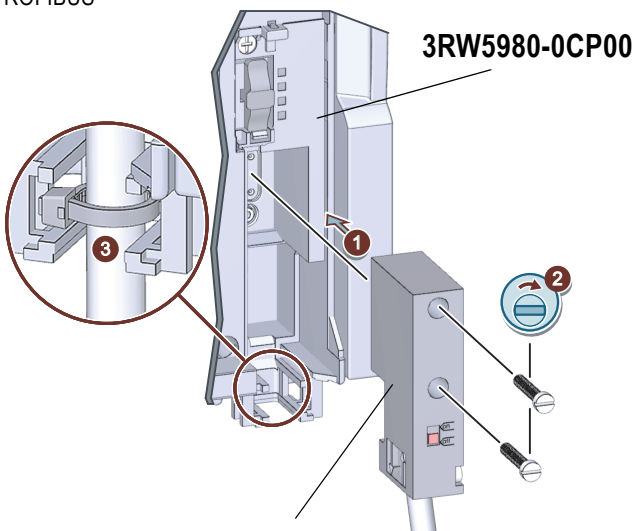
可选附件 /
Optional Accessories

3RW5980-0HD00
(IP65)

可选附件 / Optional Accessories:
PROFIBUS/PROFINET

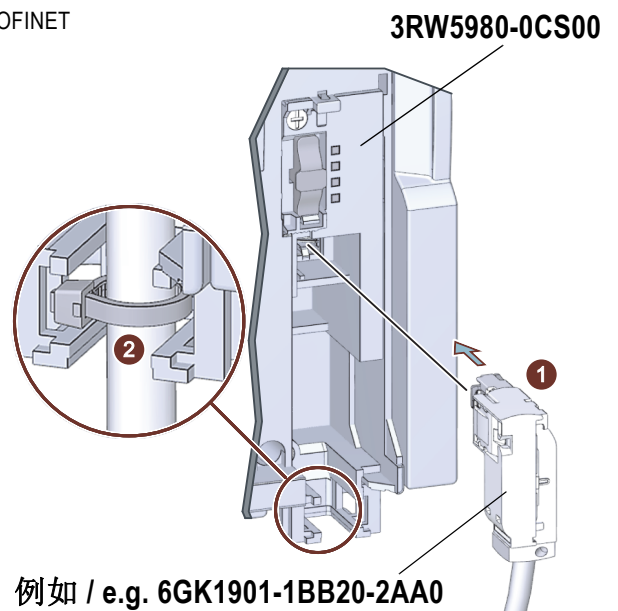


PROFIBUS



例如 / e.g. 6ES7972-0BB52-0XA0
6ES7972-0BA52-0XA0
6ES7972-0BB12-0XA0
6ES7972-0BA12-0XA0

PROFINET



例如 / e.g. 6GK1901-1BB20-2AA0