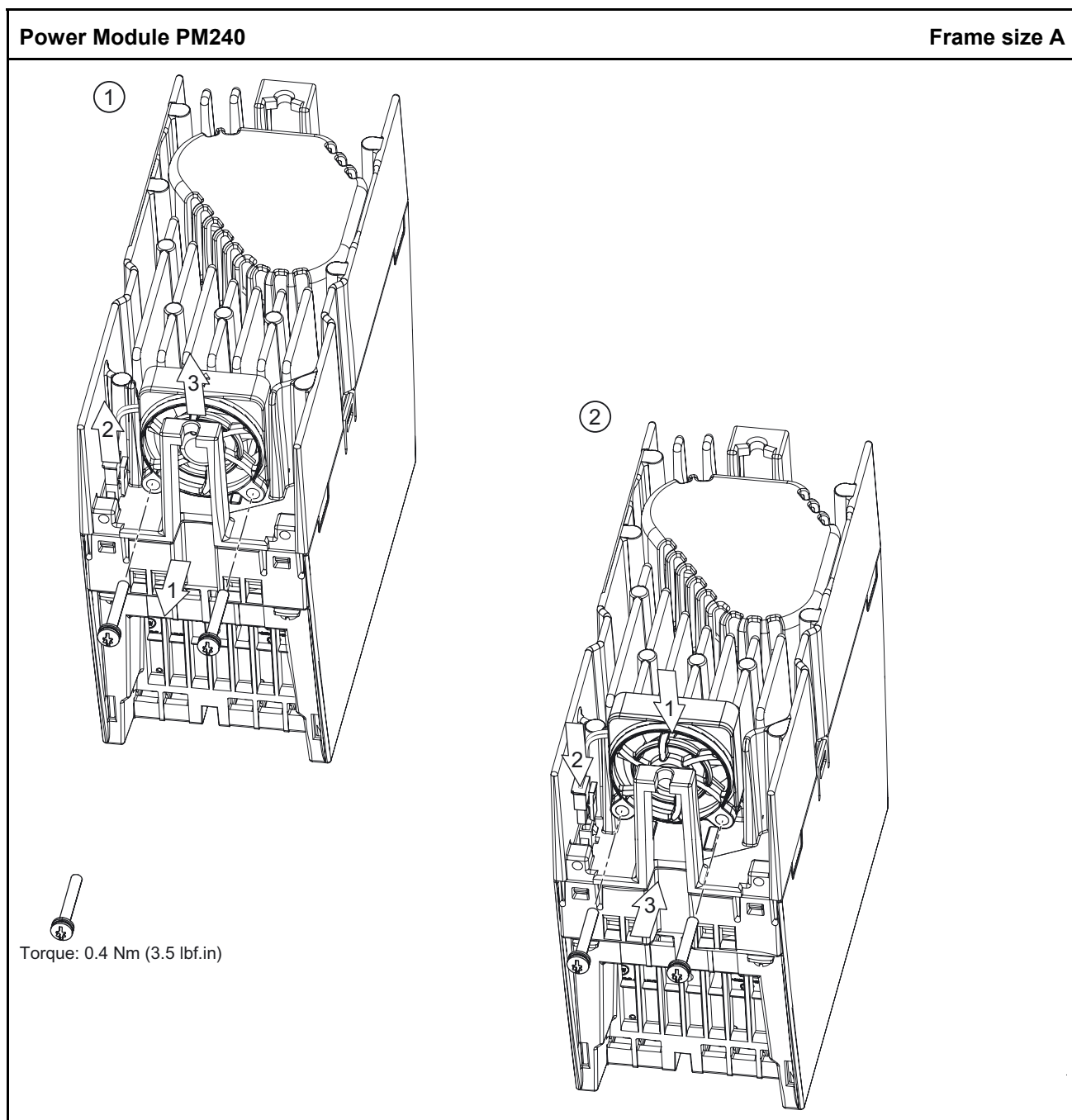


Fan replacement

SINAMICS G120 Power Module

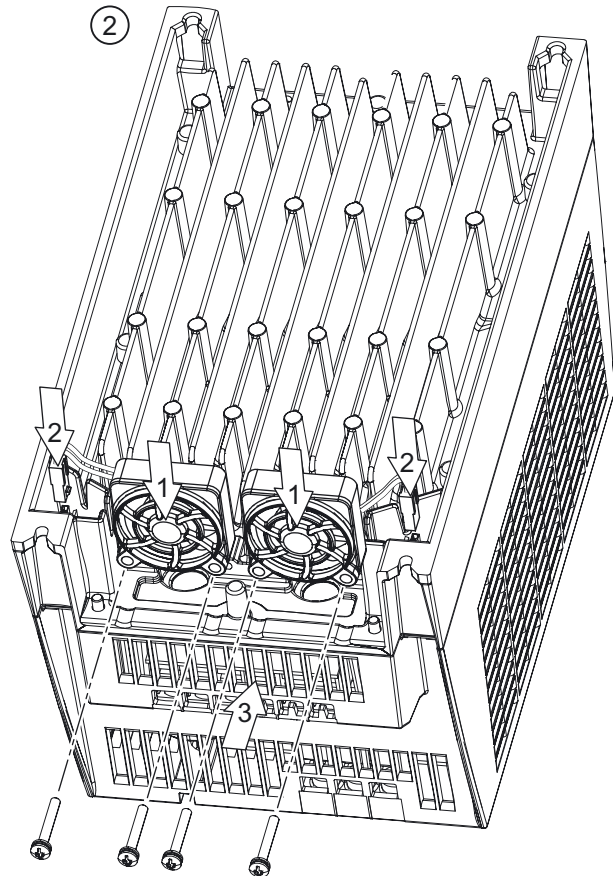
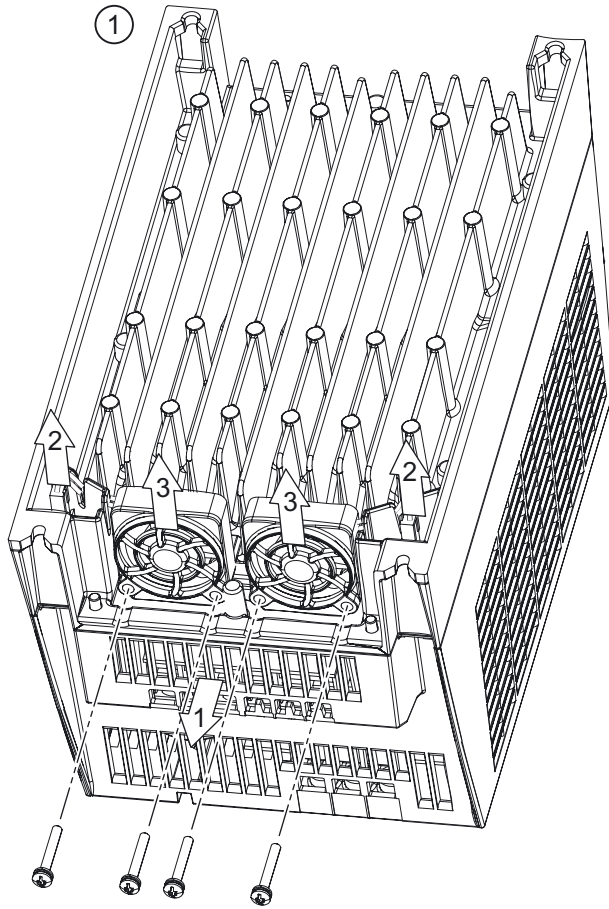
Power Module PM240

Frame size A



Power Module PM240, PM250

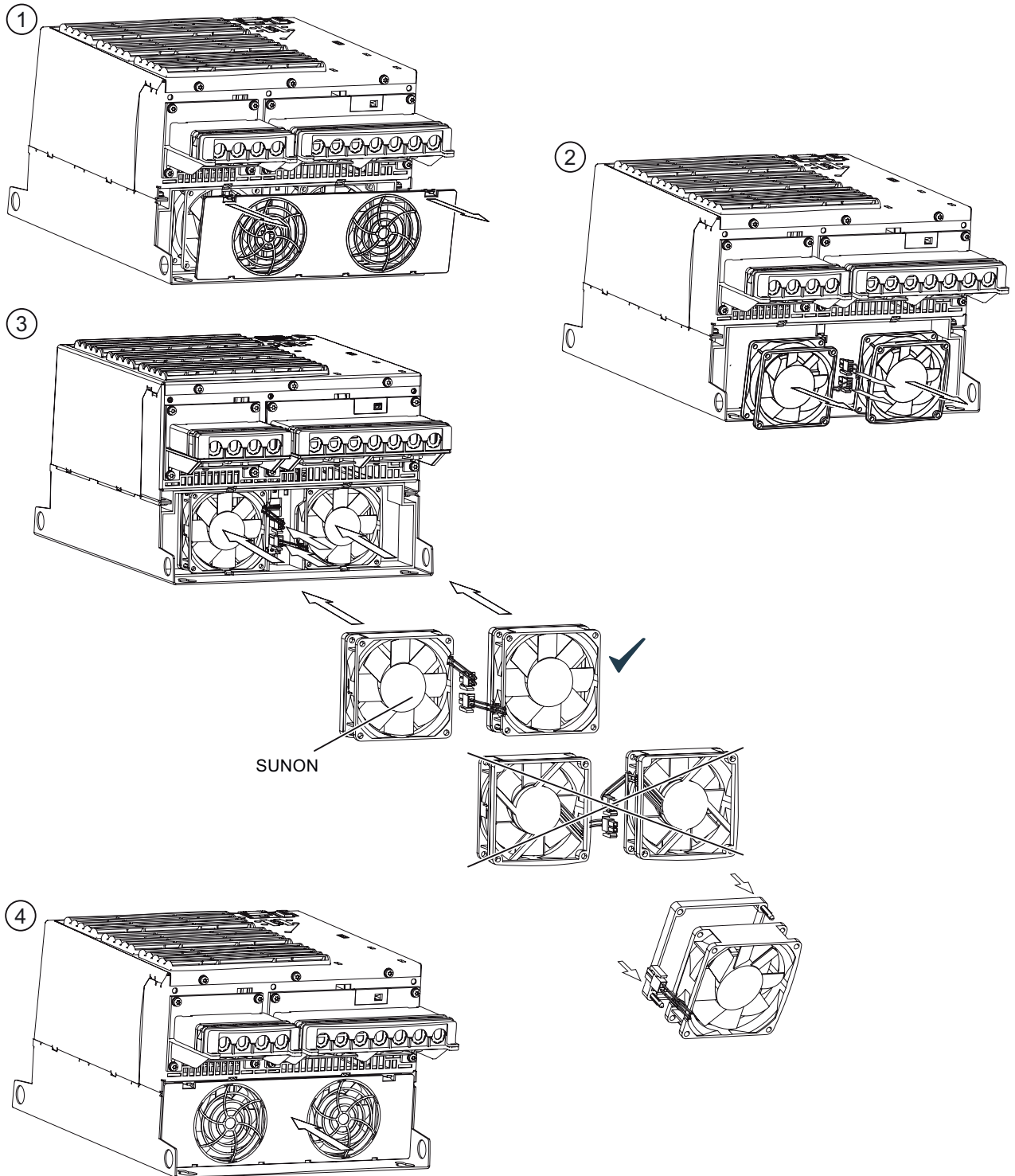
Frame size B, Frame size C



Torque: 0.4 Nm (3.5 lbf.in)

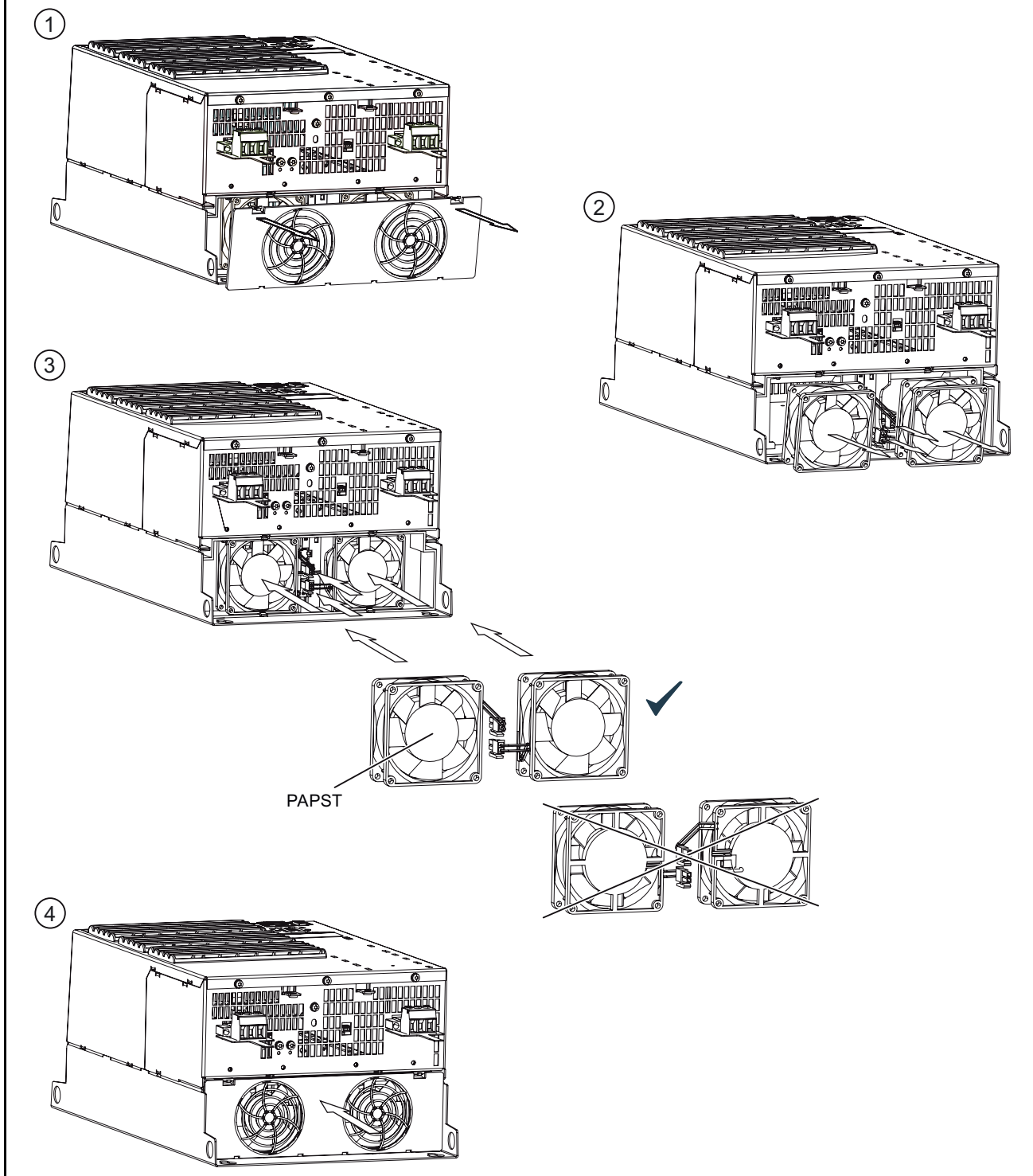
Power Module PM240, PM250

Frame size D, frame size E



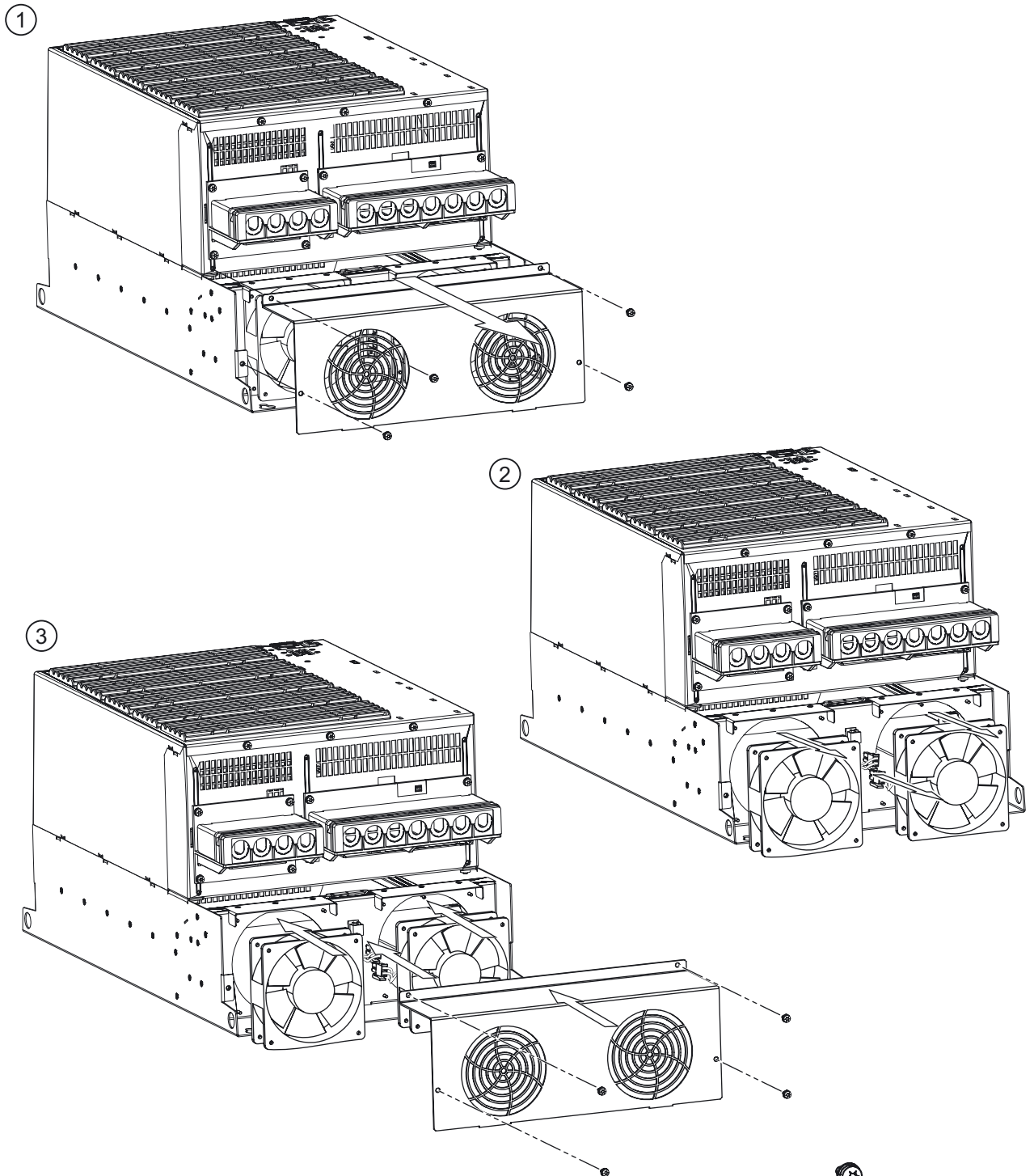
Power Module PM260


Frame size D



Power Module PM240, PM250, PM260

Frame size F



 Torque: 3.0 Nm (26.5 lbf.in)