

SIEMENS

SIPART

Electropneumatic positioners SIPART PS2 with 4 to 20 mA/HART

Operating Instructions

6DR50..
6DR51..
6DR52..
6DR53..
6DR59..

Introduction	1
Safety information	2
Description	3
Installing/mounting	4
Connection	5
Operating	6
Commissioning	7
Parameter assignment	8
Functional safety	9
Service and maintenance	10
Diagnostics and troubleshooting	11
Technical data	12
Dimension drawings	13
Spare parts/accessories/ scope of delivery	14
Product documentation and support	A
External position detection	B
Pressure gauge block	C
Sealing plug / thread adapter	D
Booster	E
Positioner with remote control electronics	F
Abbreviations	G

Legal information

Warning notice system

This manual contains notices you have to observe in order to ensure your personal safety, as well as to prevent damage to property. The notices referring to your personal safety are highlighted in the manual by a safety alert symbol, notices referring only to property damage have no safety alert symbol. These notices shown below are graded according to the degree of danger.

⚠ DANGER
indicates that death or severe personal injury will result if proper precautions are not taken.

⚠ WARNING
indicates that death or severe personal injury may result if proper precautions are not taken.

⚠ CAUTION
indicates that minor personal injury can result if proper precautions are not taken.

NOTICE
indicates that property damage can result if proper precautions are not taken.

If more than one degree of danger is present, the warning notice representing the highest degree of danger will be used. A notice warning of injury to persons with a safety alert symbol may also include a warning relating to property damage.

Qualified Personnel

The product/system described in this documentation may be operated only by **personnel qualified** for the specific task in accordance with the relevant documentation, in particular its warning notices and safety instructions. Qualified personnel are those who, based on their training and experience, are capable of identifying risks and avoiding potential hazards when working with these products/systems.

Proper use of Siemens products

Note the following:

⚠ WARNING
Siemens products may only be used for the applications described in the catalog and in the relevant technical documentation. If products and components from other manufacturers are used, these must be recommended or approved by Siemens. Proper transport, storage, installation, assembly, commissioning, operation and maintenance are required to ensure that the products operate safely and without any problems. The permissible ambient conditions must be complied with. The information in the relevant documentation must be observed.

Trademarks

All names identified by ® are registered trademarks of Siemens AG. The remaining trademarks in this publication may be trademarks whose use by third parties for their own purposes could violate the rights of the owner.

Disclaimer of Liability

We have reviewed the contents of this publication to ensure consistency with the hardware and software described. Since variance cannot be precluded entirely, we cannot guarantee full consistency. However, the information in this publication is reviewed regularly and any necessary corrections are included in subsequent editions.

Table of contents

1	Introduction.....	13
1.1	Purpose of this documentation.....	13
1.2	Scope of documentation	13
1.3	Document history	14
1.4	Designated use	15
1.5	Product compatibility	15
1.6	Checking the consignment.....	16
1.7	Security information	16
1.8	Transportation and storage.....	17
1.9	Notes on warranty	17
2	Safety information.....	19
2.1	Precondition for use	19
2.2	Warning symbols on the device	19
2.3	Laws and directives.....	19
2.4	Conformity with European directives.....	20
2.5	Product approval and UL compliance	20
2.6	Improper device modifications	20
2.7	Improper modification on positioner 6DR5...6.....	21
2.8	Requirements for special applications	21
2.9	Use in hazardous areas	22
3	Description.....	23
3.1	Function	23
3.2	Structure.....	23
3.2.1	Overview of structure	23
3.2.2	Nameplate layout	26
3.2.3	Explanation of Ex information	27
3.3	Device components.....	28
3.3.1	Overview of device components	28
3.3.2	Basic electronics	29
3.4	Mode of operation	30
3.4.1	Block circuit diagram for single-acting or double-acting actuators.....	32
3.4.2	Mode of operation of the HART function.....	33
3.4.3	HART system configuration	33
3.4.4	SIMATIC PDM.....	34

4	Installing/mounting	37
4.1	Basic safety instructions.....	37
4.1.1	Proper mounting.....	39
4.1.1.1	Loss of explosion protection.....	39
4.2	Mounting to linear actuator.....	40
4.3	Mounting to part-turn actuator.....	45
4.4	Setting and locking the transmission ratio.....	48
4.5	Installing option modules.....	51
4.5.1	General information on installing option modules.....	51
4.5.1.1	Opening the standard and intrinsically safe version.....	52
4.5.1.2	Closing the standard and and intrinsically safe version.....	53
4.5.1.3	Opening the device version with "flameproof enclosure".....	55
4.5.1.4	Closing the device version with "flameproof enclosure".....	58
4.5.2	Digital I/O Module (DIO) 6DR4004-6A / -8A.....	59
4.5.3	Analog Output Module (AOM) 6DR4004-6J / -8J.....	60
4.5.4	Inductive Limit Switches (ILS) 6DR4004 6G / -8G.....	62
4.5.4.1	Inductive Limit Switches (ILS) - Mode of operation and equipment features.....	62
4.5.4.2	Installation procedure for Inductive Limit Switches (ILS).....	63
4.5.4.3	Setting limits.....	64
4.5.5	Mechanic Limit Switches (MLS) 6DR4004-6K / -8K.....	65
4.5.5.1	Mechanic Limit Switches (MLS) - Mode of operation and equipment features.....	65
4.5.5.2	Installation procedure for Mechanic Limit Switches (MLS).....	66
4.5.5.3	Setting limits.....	67
4.5.6	Internal NCS module (iNCS) 6DR4004-5L / -5LE.....	68
4.5.7	Analog Input Module (AIM) 6DR4004-6F / -8F.....	71
5	Connection	75
5.1	Basic safety instructions.....	75
5.2	Electrical wiring.....	79
5.2.1	Connection diagram for basic electronics.....	79
5.2.2	Connection diagram split range.....	82
5.2.3	Option modules.....	83
5.2.3.1	Digital I/O Module (DIO) 6DR4004-6A / -8A.....	83
5.2.3.2	Analog Output Module (AOM) 6DR4004-6J / -8J.....	84
5.2.3.3	Inductive Limit Switches (ILS) 6DR4004-6G / -8G.....	84
5.2.3.4	Mechanical Limit Switches (MLS) 6DR4004-6K / -8K.....	85
5.2.3.5	Analog Input Module (AIM) 6DR4004-6F / -8F.....	87
5.2.4	Optional version M12 device plug.....	88
5.2.4.1	In the basic unit.....	88
5.2.4.2	In the basic unit with Analog Output Module (AOM) 6DR4004-6J/-8J (-Z D53).....	89
5.2.4.3	In the basic unit with Position Transmitter (-Z D54).....	89
5.2.4.4	In the basic unit with Digital I/O Module (DIO) 6DR4004-6A/-8A (-Z D55).....	89
5.2.4.5	In the basic unit with Inductive Limit Switches (ILS) 6DR4004-6G/-8G (-Z D56).....	90
5.2.4.6	In the basic unit with Mechanic Limit Switches (MLS) 6DR4004-6K (-Z D57).....	90
5.3	Pneumatic connection.....	90
5.3.1	Basic safety instructions for the pneumatic connection.....	90
5.3.2	Pneumatic connection in non-flameproof enclosure.....	91
5.3.2.1	Structure of pneumatic connection.....	91

5.3.2.2	Integrated pneumatic connection	91
5.3.3	Pneumatic connection in the flameproof enclosure	92
5.3.4	Behavior in case of failure of the electrical auxiliary power and/or the supply pressure PZ	93
5.4	Restrictors	93
6	Operating	95
6.1	Operating elements	95
6.1.1	Display	95
6.1.2	Buttons	96
6.1.3	Firmware version	97
6.2	Operating modes	98
6.2.1	Overview of operating modes	98
6.2.2	Changing the operating mode	98
6.2.3	Overview of configuration	99
6.2.4	Description of operating modes	99
6.2.5	Optimization of controller data	101
7	Commissioning	105
7.1	Basic safety instructions	105
7.2	Overview	107
7.3	Sequence of automatic initialization	109
7.4	RUN 1 sequence	110
7.5	RUN 2 sequence with linear actuators	111
7.6	RUN 2 sequence with part-turn actuators	112
7.7	RUN 3 to 5 sequence	113
7.8	Setting the friction clutch	115
7.9	Purge air switching	117
7.10	Commissioning linear actuators	117
7.10.1	Preparing linear actuators for commissioning	117
7.10.2	Automatic initialization of linear actuators	119
7.10.3	Manual initialization of linear actuators	121
7.11	Commissioning part-turn actuators	124
7.11.1	Preparing part-turn actuators for commissioning	124
7.11.2	Automatic initialization of part-turn actuators	125
7.11.3	Manual initialization of part-turn actuators	126
7.12	Canceling initialization	129
7.13	Device replacement	129
8	Parameter assignment	133
8.1	Introduction to parameter assignment section	133
8.2	Configuration schematic for parameter operating principle	134
8.3	Tabular overview of the parameters	135
8.3.1	Overview of initialization parameters 1 to 5	135
8.3.2	Overview of application parameters 6 to 52	136

8.3.3	Overview of advanced diagnostic parameters A to U	139
8.4	Description of parameters	143
8.4.1	Initialization parameters 1 to 5	143
8.4.1.1	'1.YFCT' type of actuator	143
8.4.1.2	'2.YAGL' Rated angle of rotation of feedback	145
8.4.1.3	'3.YWAY' Range of stroke	145
8.4.1.4	'4.INITA' Initialization (automatic)	146
8.4.1.5	'5.INITM' Initialization (manual)	146
8.4.2	Application parameters 6 to 52	147
8.4.2.1	'6.SCUR' Current range of setpoint	147
8.4.2.2	'7.SDIR' Setpoint direction	147
8.4.2.3	'8.SPRA' Setpoint split range start / '9.SPRE' Setpoint split range start end	147
8.4.2.4	'10.TSUP' Setpoint ramp UP / '11.TSDO' Setpoint ramp DOWN	148
8.4.2.5	'12.SFCT' Setpoint function	149
8.4.2.6	'13.SL0' ... '33.SL20' Setpoint turning point	149
8.4.2.7	'34.DEBA' Deadband of closed-loop controller	150
8.4.2.8	'35.YA' Start of manipulated variable limit / '36.YE' End of manipulated variable limit	151
8.4.2.9	'37.YNRM' Standardization of manipulated variable	151
8.4.2.10	'38.YDIR' Direction of manipulated variable for display and position feedback	153
8.4.2.11	'39.YCLS' Tight closing/fast closing with manipulated variable	153
8.4.2.12	'40.YCDO' Value for tight closing/fast closing Down	154
8.4.2.13	'41.YCUP' Value for tight closing/fast closing Up	154
8.4.2.14	'42.BIN1' / '43.BIN2' digital input function	155
8.4.2.15	'44.AFCT' Alarm function	156
8.4.2.16	'45.A1' / '46.A2' Response threshold of alarm	158
8.4.2.17	'47.\FCT' Function of the fault message output	158
8.4.2.18	'48.\TIM' Monitoring period for setting of fault message 'Control deviation'	159
8.4.2.19	'49.\LIM' Response threshold of fault message 'Control deviation'	159
8.4.2.20	'50.PRST' Preset	160
8.4.2.21	'51.PNEUM' Pneumatics type	160
8.4.2.22	'52.XDIAG' Activating for extended diagnostics	162
8.4.3	Advanced diagnostic parameters A to U	163
8.4.3.1	Partial stroke test 'A.\PST'	163
8.4.3.2	Monitoring of dynamic control valve behavior 'b.\DEVI'	168
8.4.3.3	Monitoring/compensation of pneumatic leakage 'C.\LEAK'	170
8.4.3.4	Monitoring of stiction (slipstick) 'd.\STIC'	173
8.4.3.5	Monitoring of deadband 'E.\DEBA'	175
8.4.3.6	Monitoring of lower endstop 'F.\ZERO'	176
8.4.3.7	Monitoring the upper endstop 'G.\OPEN'	177
8.4.3.8	Monitoring the lower limit temperature 'H.\TMIN'	179
8.4.3.9	Monitoring the upper limit temperature 'J.\TMAX'	181
8.4.3.10	Monitoring of number of total strokes 'L.\STRK'	182
8.4.3.11	Monitoring of number of changes in direction 'O.\DCHG'	184
8.4.3.12	Monitoring the position average value 'P.\PAVG'	185
8.4.3.13	Pressure monitoring 'U.\PRES'	188
8.5	Overview of the assignment of the HART variables	189
9	Functional safety	191
9.1	Range of applications for functional safety	191
9.2	Safety function	191

9.3	Safety Integrity Level (SIL).....	193
9.4	Settings	194
9.5	Safety characteristics	195
9.6	Maintenance/check	195
10	Service and maintenance	197
10.1	Basic safety instructions.....	197
10.1.1	Maintenance.....	197
10.2	Cleaning	198
10.2.1	Positioners 6DR5..0, 6DR5..3 and 6DR5..5.....	198
10.2.2	Positioners 6DR5..1, 6DR5..2 and 6DR5..6.....	199
10.3	Maintenance and repair work.....	199
10.4	Replace basic electronics	200
10.5	Replace pneumatic block	202
10.6	Replace the pressure sensor module	203
10.7	Return procedure	206
10.8	Disposal	206
11	Diagnostics and troubleshooting	207
11.1	Output of system messages in the display.....	207
11.1.1	System messages before initialization	207
11.1.2	System messages during initialization	207
11.1.3	System messages when exiting the Configuration mode	210
11.1.4	System messages during operation.....	210
11.2	Diagnostics.....	212
11.2.1	Display of diagnostics values	212
11.2.2	Saving the diagnostics values.....	212
11.2.3	Overview of diagnostics values.....	213
11.2.4	Meaning of the diagnostics values	215
11.2.4.1	Diagnostic value '1.STRKS - Number of total strokes'	215
11.2.4.2	Diagnostic value '2.CHDIR - Number of changes in direction'	215
11.2.4.3	Diagnostic value '3.\CNT - Number of fault messages'.....	215
11.2.4.4	Diagnostic value '4.A1CNT - Number of alarms 1' / '5.A2CNT - Number of alarms 2'	215
11.2.4.5	Diagnostic value '6.HOURS - Number of operating hours'	216
11.2.4.6	Diagnostic value '7.HOURR - Resettable operating hours counter'.....	216
11.2.4.7	Diagnostic value '8.WAY - Determined travel'.....	216
11.2.4.8	Diagnostic value '9.TUP - Travel time up' / '10.TDOWN - Travel time down'	216
11.2.4.9	Diagnostic value '11.LEAK - Leakage test'	217
11.2.4.10	Diagnostic value '12.PST - Monitoring of partial stroke test'	218
11.2.4.11	Diagnostic value '13.PRPST' - Time since last partial stroke test'	219
11.2.4.12	Diagnostic value '13.PRPST - Time since last partial stroke test' (version with pressure sensor module)	219
11.2.4.13	Diagnostic value '14.NXPST - Time until next partial stroke test'	219
11.2.4.14	Diagnostics value '15.DEVI - Dynamic control valve behavior'	220
11.2.4.15	Diagnostic value '16.ONLK - Pneumatic leakage'.....	220
11.2.4.16	Diagnostic value '17.STIC - Stiction (slipstick)'	220

11.2.4.17	Diagnostic value '18.ZERO - Lower endstop'	220
11.2.4.18	Diagnostic value '19.OPEN - Upper endstop'	221
11.2.4.19	Diagnostic value '20.PAVG - Average value of position'	221
11.2.4.20	Diagnostic value '21.P0 - Potentiometer value of lower endstop (0%)' / '22.P100 - Potentiometer value of upper endstop (100%)'	221
11.2.4.21	Diagnostic value '23.IMPUP - Pulse length up' / '24.IMPDN - Pulse length down'	223
11.2.4.22	Diagnostic value '25.PAUDP - Pulse interval'	223
11.2.4.23	Diagnostic value '26.DBUP - Deadband up' / '27.DBDN - Deadband down'	223
11.2.4.24	Diagnostic value '28.SSUP - Slow step zone up' / '29.SSDN - Slow step zone down'	224
11.2.4.25	Diagnostic value '30.TEMP - Current temperature'	224
11.2.4.26	Diagnostic value '31.TMIN - Minimum temperature' / '32.TMAX - Maximum temperature'	224
11.2.4.27	Diagnostic value '33.T1' ... '41.T9' - Number of operating hours in the temperature range 1 to 9	225
11.2.4.28	Diagnostic value '42.VENT1' / '43.VENT2'	225
11.2.4.29	Diagnostic value '44.VEN1R' / '45.VEN2R'	225
11.2.4.30	Diagnostic value '46.STORE - Save maintenance data'	226
11.2.4.31	Diagnostic value '47.PRUP - Prediction up' / '48.PRDN - Prediction down'	226
11.2.4.32	Diagnostic value '49.WT00' ... '56.WT95' - Number of operating hours in the travel range WT00 to WT95	227
11.2.4.33	Diagnostic value '57.LKPUL - Length of the leakage compensation pulse'	227
11.2.4.34	Diagnostic value '58.LKPER - Period of the leakage compensation pulse'	227
11.2.4.35	Diagnostic value '59.mA - Setpoint current'	228
11.2.4.36	Diagnostic value '60.PZ Supply pressure (PZ)'	228
11.2.4.37	Diagnostic value '63.PZMAX Supply pressure (PZ) min/max pointer	228
11.2.4.38	Diagnostic value '64.N_MIN Event counter'	228
11.3	Online diagnostics	229
11.3.1	Overview of error codes	229
11.3.2	Overview of online diagnostics	231
11.3.3	XDIAG parameter	231
11.3.4	Meaning of error codes	232
11.3.4.1	1 Remaining control deviation	232
11.3.4.2	2 Device not in "Automatic" mode	232
11.3.4.3	3 digital inputs BIN1 or BIN2 active	232
11.3.4.4	4 Monitoring the number of total strokes	232
11.3.4.5	5 Monitoring the number of changes in direction	232
11.3.4.6	6 Monitoring the lower endstop / 7 Monitoring the upper endstop	232
11.3.4.7	8 Monitoring deadband	233
11.3.4.8	9 Partial stroke test	233
11.3.4.9	10 Monitoring of dynamic control valve behavior	233
11.3.4.10	11 Monitoring/compensation of pneumatic leakage	234
11.3.4.11	12 Monitoring of stiction (slipstick)	234
11.3.4.12	13 Monitoring the lower limit temperature	234
11.3.4.13	14 Monitoring the upper limit temperature	234
11.3.4.14	15 Monitoring the position average value	234
11.3.4.15	16 Monitoring the plausibility of values for the partial stroke test	234
11.3.4.16	17 Monitoring of pressure sensor module	234
11.3.4.17	18 Monitoring low limit of supply pressure (PZLIM)	234
11.3.4.18	19 Monitoring specific limits of supply pressure	234
11.4	Fault and remedy	235

12	Technical data	239
12.1	HART operating conditions	239
12.2	Pneumatic data	239
12.3	Construction	240
12.4	Controller.....	242
12.5	Certificates and approvals.....	243
12.5.1	Breakdown of the article numbers.....	243
12.5.2	Basic unit and optional modules	244
12.5.3	Maximal permissible ambient temperature ranges	245
12.6	Electrical data.....	246
12.7	Electrical data for pressure sensor module	248
12.8	Communication (HART)	248
12.9	Technical data for natural gas as actuator medium	249
12.10	Option modules	250
12.10.1	Digital I/O Module (DIO) 6DR4004-6A / -8A	250
12.10.2	Analog Output Module (AOM) 6DR4004-6J / -8J.....	251
12.10.3	Inductive Limit Switches (ILS) 6DR4004-6G / -8G.....	252
12.10.4	Mechanic Limit Switches (MLS) 6DR4004-6K / -8K.....	253
12.10.5	Analog Input Module (AIM) 6DR4004-6F / -8F	254
12.10.6	Internal NCS module 6DR4004-5L / 6DR4004-5LE.....	254
12.10.7	Other technical specifications	255
13	Dimension drawings	257
13.1	Positioner in non-flameproof enclosure.....	257
13.2	Terminal strip for enclosures 6DR5..0 and 6DR5..3	258
13.3	Positioner in flameproof enclosure	259
14	Spare parts/accessories/scope of delivery	261
14.1	Overview	261
14.2	Spare parts.....	263
14.3	Scope of delivery Mechanic Limit Switches (MLS)	266
14.4	Scope of delivery Analog Input Module (AIM).....	267
14.5	Accessories.....	268
14.6	Order data.....	268
A	Product documentation and support.....	269
A.1	Product documentation	269
A.2	Technical support.....	270
B	External position detection	271
B.1	Introduction	271
B.2	Non-Contacting Sensor.....	272

B.2.1	Principle of operation of NCS	272
B.2.2	Mounting the NCS	273
B.2.2.1	Mounting on part-turn actuator	274
B.2.2.2	Mounting on linear actuator up to 14 mm (0.55 inch).....	276
B.2.2.3	Mounting on linear actuator > 14 mm (0.55 inch).....	278
B.2.3	Connecting NCS to Analog Input Module (AIM).....	281
B.2.4	Commissioning of NCS	282
B.2.4.1	Prerequisites / default settings	282
B.2.4.2	Initialization of part-turn actuators	283
B.2.4.3	Initializing linear actuators with a stroke range up to 14 mm (0.55 inch)	283
B.2.4.4	Initializing linear actuators with a stroke range > 14 mm (0.55 inch)	283
B.2.5	Technical specifications NCS.....	283
B.2.6	Dimensional drawing of non-contacting sensor	285
B.2.7	NCS sensor scope of delivery.....	285
B.2.7.1	Scope of delivery of NCS for part-turn actuators	285
B.2.7.2	Scope of delivery of NCS for linear actuators up to 14 mm (0.55 inch)	286
B.2.7.3	Scope of delivery of NCS for linear actuators > 14 mm (0.55 inch)	287
B.3	External position detection	288
B.3.1	Mode of operation for external position detection	288
B.3.2	Installation of external position detection system.....	288
B.3.3	Connecting to Analog Input Module (AIM)	289
B.3.4	Technical specifications of the external position detection system	289
B.3.4.1	Rated conditions for external position detection	289
B.3.4.2	Electrical data for external position detection.....	289
C	Pressure gauge block.....	295
D	Sealing plug / thread adapter	297
D.1	Intended use of accessory part.....	297
D.2	Safety instructions for accessory part	297
D.3	Technical specifications of accessory part.....	298
D.4	Dimensional drawings for accessory part	299
E	Booster	301
E.1	Booster introduction	301
E.2	Mounting a booster	301
E.3	Booster commissioning	305
E.4	Booster dimension drawings	308
E.4.1	For positioners in non-flameproof enclosure.....	308
E.4.2	For positioners in flameproof enclosure	309
E.5	Technical specifications of booster	309
F	Positioner with remote control electronics	311
F.1	Introduction to remote control electronics	311
F.2	19" slide-in module.....	311
F.2.1	Description of 19" slide-in module 4 to 20 mA	311
F.2.2	Connecting the 19" slide-in module 4 to 20 mA	312
F.2.2.1	Grounding concept of 19" slide-in module 4 to 20 mA.....	312

F.2.2.2	Electrical connection of 19" slide-in module 4 to 20 mA	314
F.2.3	Technical specifications of 19" slide-in module 4 to 20 mA	316
F.2.4	Dimensional drawing of 19" slide-in module 4 to 20 mA	318
F.2.5	Scope of delivery of remote control electronics	318
F.3	Positioner without basic electronics 6DR5910	318
G	Abbreviations	321
G.1	Abbreviations for positioners	321
G.2	Abbreviations for functional safety	322
	Glossary	325
	Index	333

Introduction

1.1 Purpose of this documentation

These instructions contain all information required to commission and use the device. Read the instructions carefully prior to installation and commissioning. In order to use the device correctly, first review its principle of operation.

The instructions are aimed at persons mechanically installing the device, connecting it electronically, configuring the parameters and commissioning it, as well as service and maintenance engineers.

1.2 Scope of documentation

Article no.	Product
6DR50..	SIPART PS2, 2-wire (4 mA to 20 mA), without HART
6DR51..	SIPART PS2, 2-wire (4 mA to 20 mA), with HART
6DR52..	SIPART PS2, 2-wire, 3-wire, 4-wire (0/4 to 20 mA), with HART
6DR53..	SIPART PS2, 2-wire, 3-wire, 4-wire (0/4 mA to 20 mA), without HART
6DR5910-*	SIPART PS2 without basic electronics with Position Transmitter and pneumatics unit
A5E00151560	19" slide-in module with operating and control unit; 4 to 20 mA with 2-wire connection
6DR4004-6A / -8A	Digital I/O Module (DIO)
6DR4004-6F / -8F	Analog Input Module (AIM)
6DR4004-6J / -8J	Analog Output Module (AOM)
6DR4004-6G / -8G	Inductive Limit Switches (ILS)
6DR4004-6K / -8K	Mechanic Limit Switches (MLS)
6DR4004-5L / -5LE	Internal NCS module
6DR4004-6N* / -8N*	NCS sensor
6DR4004-1ES ... -4ES	Position Transmitter
6DR4004-1R / -2R / -1RN / -2RN	Pneumatic terminal strip
6DR4004-8D and TGX:16300-1556	Installation for NAMUR part-turn actuators
6DR4004-8V / -8L / -8VK / -8VL	Mounting kit for NAMUR linear actuator
6DR4004-1RJ/K/P/Q and 6DR4004-2RJ/K/P/Q	Booster

1.3 Document history

The table shows the most important changes in the documentation compared to the previous edition.

Edition	Note
11/2019	<ul style="list-style-type: none"> • New: Scope of documentation (Page 13) • In the entire operating instructions: Option modules renamed • In the entire operating instructions: Binary output renamed to digital output; binary input renamed to digital input • Section "Installing/mounting (Page 37)" <ul style="list-style-type: none"> – Change in figure for option module "Analog Output Module (AOM) 6DR4004-6J / -8J (Page 60)" – Text change for option module "Analog Input Module (AIM) 6DR4004-6F / -8F (Page 71)" • Section "Connection (Page 75)" <ul style="list-style-type: none"> – Change in figure for option module "Analog Input Module (AIM) 6DR4004-6F / -8F (Page 87)" – Terminology change: "Plug M12" renamed to "Device plug M12"; "Outputs" and "Alarm outputs" renamed to "Digital outputs A1 and A2"; Pneumatic connection (Page 90): "Pneumatic auxiliary power" renamed to "Supply pressure PZ" – Terminological and textual revision of "Behavior in case of failure of the electrical auxiliary power and/or the supply pressure PZ (Page 93)" • "Commissioning" section <ul style="list-style-type: none"> – Change to the procedure in the flameproof enclosure Ex d for "Setting the friction clutch (Page 115)": – Commissioning of a tight closing valve with "Automatic initialization of linear actuators (Page 119)" and "Automatic initialization of part-turn actuators (Page 125)" • The "Alarm, error and system messages" section is now called "Diagnostics and troubleshooting (Page 207)" <ul style="list-style-type: none"> – Format change in "Fault and remedy (Page 235)" section, tables were summarized into a single table. • Section "Technical data (Page 239)" <ul style="list-style-type: none"> – Section "Explosion protection" is now titled "Certificates and approvals (Page 243)"; entire section has been revised terminologically; table header for "Basic unit and optional modules (Page 244)" has been changed. – Section "Electrical data for pressure sensor module (Page 248)" completely revised
	<ul style="list-style-type: none"> • Section "Spare parts/accessories/scope of delivery (Page 261)": Replacement part "2-wire, Ex, with HART" added • Section "External position detection (Page 271)": 6DR4004-1ES to -4ES added, terminology adapted, C73451-A430-D78 no longer exists and was removed. • Section "Booster (Page 301)": Texts revised, procedures for standard device and Ex d device combined.

Edition	Note
01/2019	<ul style="list-style-type: none"> • Changes for FW 5.02.00, HART device revision 7 • Ex "nA" (non-sparking equipment) is replaced by Ex "ec" (increased safety) • Option -Z P01 Extended diagnostics supported by pressure sensors <ul style="list-style-type: none"> – Parameter assignment: U.\PRES (Page 188) – Diagnostics values: 60.PZ, 63.PZMAX und 64.N_Min (Page 228) – Online diagnostics: Error codes 17 to 19 (Page 234) Section "Installing/mounting (Page 37)" <ul style="list-style-type: none"> – New markings on the lever with carrier pin (Page 40) – Revised section "Setting and locking the transmission ratio (Page 48)" • Section "Pneumatic connection (Page 90)" <ul style="list-style-type: none"> – Revised section "Behavior in case of failure of the electrical auxiliary power and/or the supply pressure PZ (Page 93)" • Section "Commissioning (Page 105)" <ul style="list-style-type: none"> – Revised section "Setting the friction clutch (Page 115)" • Section "Service and maintenance (Page 197)" <ul style="list-style-type: none"> – Section "Replacing the basic electronics" with the "Fail in Place" function has been revised and is now called "Replace basic electronics (Page 200)" – New section "Replace pneumatic block (Page 202)" and "Replace the pressure sensor module (Page 203)" • Section "Technical data (Page 239)" <ul style="list-style-type: none"> – Explosion protection (Page 243) restructured and contains a breakdown of the article number • Section "Spare parts/accessories/scope of delivery (Page 261)" extended

1.4 Designated use

Use the device in accordance with the information on the nameplate and in the Technical data (Page 239).

1.5 Product compatibility


The following table describes the compatibility between document output, device revision, engineering system and associated Electronic Device Description (EDD).

Manual edition	Comments	Device revision	Compatible version of device integration package	
11/2019	New manual edition	FW: 5.02.00 or higher	SIMATIC PDM V9.0	EDD: 23.00.00 or higher
		Device revision 7 or higher	SIMATIC PDM V8.2 SP1	EDD: 23.00.00 or higher
		AMS Device Manager V12.5	EDD: 23.00.00 or higher	
		SITRANS DTM V4.1	EDD: 23.00.00 or higher	
		Field communicator	EDD: 23.00.00 or higher	

Manual edition	Comments	Device revision	Compatible version of device integration package	
05/2019	New device features	FW: 5.02.00 or higher Device revision 7 or higher	SIMATIC PDM V9.0	EDD: 23.00.00 or higher
			SIMATIC PDM V8.2 SP1	EDD: 23.00.00 or higher
			AMS Device Manager V12.5	EDD: 23.00.00 or higher
			SITRANS DTM V4.1	EDD: 23.00.00 or higher
			Field communicator	EDD: 23.00.00 or higher

1.6 Checking the consignment

1. Check the packaging and the delivered items for visible damages.
2. Report any claims for damages immediately to the shipping company.
3. Retain damaged parts for clarification.
4. Check the scope of delivery by comparing your order to the shipping documents for correctness and completeness.

 WARNING
Using a damaged or incomplete device
Risk of explosion in hazardous areas.
<ul style="list-style-type: none"> • Do not use damaged or incomplete devices.

1.7 Security information

Siemens provides products and solutions with industrial security functions that support the secure operation of plants, systems, machines and networks.

In order to protect plants, systems, machines and networks against cyber threats, it is necessary to implement – and continuously maintain – a holistic, state-of-the-art industrial security concept. Siemens’ products and solutions constitute one element of such a concept.

Customers are responsible for preventing unauthorized access to their plants, systems, machines and networks. Such systems, machines and components should only be connected to an enterprise network or the internet if and to the extent such a connection is necessary and only when appropriate security measures (e.g. firewalls and/or network segmentation) are in place.

For additional information on industrial security measures that may be implemented, please visit <https://www.siemens.com/industrialsecurity>.

Siemens’ products and solutions undergo continuous development to make them more secure. Siemens strongly recommends that product updates are applied as soon as they are available and that the latest product versions are used. Use of product versions that are no longer supported, and failure to apply the latest updates may increase customer’s exposure to cyber threats.

To stay informed about product updates, subscribe to the Siemens Industrial Security RSS Feed under <https://www.siemens.com/industrialsecurity>.

1.8 Transportation and storage

To guarantee sufficient protection during transport and storage, observe the following:

- Keep the original packaging for subsequent transportation.
- Devices/replacement parts should be returned in their original packaging.
- If the original packaging is no longer available, ensure that all shipments are properly packaged to provide sufficient protection during transport. Siemens cannot assume liability for any costs associated with transportation damages.

NOTICE
Insufficient protection during storage
The packaging only provides limited protection against moisture and infiltration.
<ul style="list-style-type: none">• Provide additional packaging as necessary.

Special conditions for storage and transportation of the device are listed in Technical data (Page 239).

1.9 Notes on warranty

The contents of this manual shall not become part of or modify any prior or existing agreement, commitment or legal relationship. The sales contract contains all obligations on the part of Siemens as well as the complete and solely applicable warranty conditions. Any statements regarding device versions described in the manual do not create new warranties or modify the existing warranty.

The content reflects the technical status at the time of publishing. Siemens reserves the right to make technical changes in the course of further development.


Safety information

2.1 Precondition for use

This device left the factory in good working condition. In order to maintain this status and to ensure safe operation of the device, observe these instructions and all the specifications relevant to safety.

Observe the information and symbols on the device. Do not remove any information or symbols from the device. Always keep the information and symbols in a completely legible state.

2.2 Warning symbols on the device

Symbol	Explanation
	Consult operating instructions

2.3 Laws and directives

Observe the safety rules, provisions and laws applicable in your country during connection, assembly and operation. These include, for example:

- National Electrical Code (NEC - NFPA 70) (USA)
- Canadian Electrical Code (CEC) (Canada)

Further provisions for hazardous area applications are for example:

- IEC 60079-14 (international)
- EN 60079-14 (EU)

See also

Certificates (<http://www.siemens.com/processinstrumentation/certificates>)

2.4 Conformity with European directives

The CE marking on the device shows conformity with the regulations of the following European guidelines:


Electromagnetic compatibility EMC 2014/30/EU	Directive of the European Parliament and of the Council on the harmonization of the laws of the Member States relating to electromagnetic compatibility.
Atmosphère explosive ATEX 2014/34/EU	Directive of the European Parliament and of the Council on the harmonization of the laws of the Member States relating to equipment and protective systems intended for use in potentially explosive atmospheres.
2011/65/EU RoHS	Directive of the European Parliament and of the Council on the restriction of the use of certain hazardous substances in electrical and electronic equipment

The directives applied can be found in the EU declaration of conformity for the associated device.

2.5 Product approval and UL compliance

Classification according to pressure equipment directive (PED 2014/68/EU)	For fluid group 1 gases; fulfills requirements according to article 4, paragraph 3 (good engineering practice SEP)
CE conformity	The applicable directives and applied standards with their revision levels can be found in the EU declaration of conformity on the Internet.
UL conformity	You can find the appropriate "Standard(s) for Safety", including the relevant versions, in the UL-CERTIFICATE OF COMPLIANCE on the Internet.

2.6 Improper device modifications

 WARNING
Improper device modifications Risk to personnel, system and environment can result from modifications to the device, particularly in hazardous areas. <ul style="list-style-type: none">• Only carry out modifications that are described in the instructions for the device. Failure to observe this requirement cancels the manufacturer's warranty and the product approvals.

2.7 Improper modification on positioner 6DR5...6

WARNING

Improper modification on positioner 6DR5...6

Danger of explosion. The pneumatic terminal plate on the SIPART PS2 positioner 6DR5..6 is a safety-related component of the flameproof enclosure.

- Never loosen the screws ① of the pneumatic terminal plate.

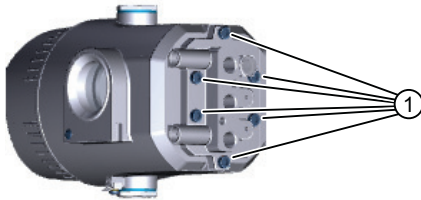


Figure 2-1 Screws of the pneumatic terminal plate on the positioner 6DR5..6

2.8 Requirements for special applications

Due to the large number of possible applications, each detail of the described device versions for each possible scenario during commissioning, operation, maintenance or operation in systems cannot be considered in the instructions. If you need additional information not covered by these instructions, contact your local Siemens office or company representative.

Note

Operation under special ambient conditions

We highly recommend that you contact your Siemens representative or our application department before you operate the device under special ambient conditions as can be encountered in nuclear power plants or when the device is used for research and development purposes.

2.9 Use in hazardous areas

Qualified personnel for hazardous area applications

Persons who install, connect, commission, operate, and service the device in a hazardous area must have the following specific qualifications:

- They are authorized, trained or instructed in operating and maintaining devices and systems according to the safety regulations for electrical circuits, high pressures, aggressive, and hazardous media.
- They are authorized, trained, or instructed in carrying out work on electrical circuits for hazardous systems.
- They are trained or instructed in maintenance and use of appropriate safety equipment according to the pertinent safety regulations.

 **WARNING**

Use in hazardous area

Risk of explosion.

- Only use equipment that is approved for use in the intended hazardous area and labeled accordingly.
- Do not use devices that have been operated outside the conditions specified for hazardous areas. If you have used the device outside the conditions for hazardous areas, make all Ex markings unrecognizable on the nameplate.

 **WARNING**

Loss of safety of device with type of protection "Intrinsic safety Ex i"

If the device or its components have already been operated in non-intrinsically safe circuits or the electrical specifications have not been observed, the safety of the device is no longer ensured for use in hazardous areas. There is a risk of explosion.

- Connect the device with type of protection "Intrinsic safety" solely to an intrinsically safe circuit.
- Observe the specifications for the electrical data on the certificate and/or in Technical data (Page 239).

Description

3.1 Function

- The electropneumatic positioner and an actuator form a control loop. The current position of the actuator is recorded by a servo potentiometer and the actual value x is fed back. The setpoint and the actual value are also shown simultaneously on the display.
- The positioner works as a predictive five-point positioner, through whose output value $\pm\Delta y$ the pneumatic block can be controlled by pulse length modulation.
- These control signals cause pressure changes in the actuator chamber(s) and thus an adjustment of the actuator until the control deviation becomes zero.
- The three keys and the display are used to operate (manual mode) and configure (structuring, initializing and parameter assignment) with the enclosure cover removed.
- By default, the basic unit has a digital input. This digital input is individually configured and blocks the operating levels, for example.
- The positioner has a friction clutch and a selectable gearbox. It can therefore be used on a large number of mechanical part-turn and linear actuators.
- In the case of positioners with the "Fail in Place" function, the current position of the actuator is held if the electric and/or pneumatic auxiliary power fails. Does not function in conjunction with SIL.

3.2 Structure

3.2.1 Overview of structure

The following sections describe the mechanical and electrical structure, components, and principle functionality of the positioner.

The positioner is used to move and control pneumatic actuators. The positioner works electropneumatically, using compressed air as auxiliary power. The positioner is used to control valves, for example, with:

- Linear actuator
- Part-turn actuator VDI/VDE 3845

Various add-on extensions are available for linear actuators:

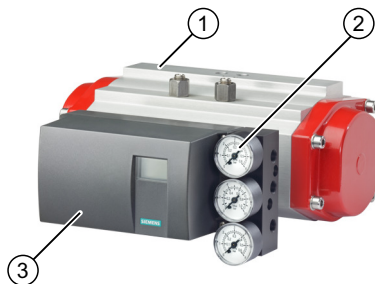
- IEC 60534-6-1 (NAMUR)
- Integrated mounting on ARCA, except with flameproof stainless steel enclosure (6DR5..6)
- Integrated mounting on SAMSON, not for Ex d

3.2 Structure



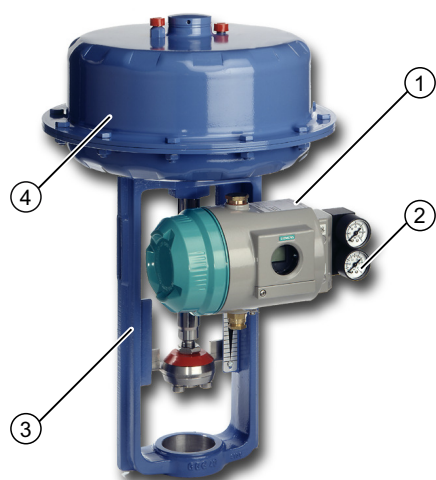
- ① Pressure gauge block, single-acting
- ② Process valve
- ③ Yoke / actuator yoke
- ④ Single-acting positioner in non-flameproof aluminum enclosure
- ⑤ Actuator

Figure 3-1 Positioner attached to a single-acting linear actuator



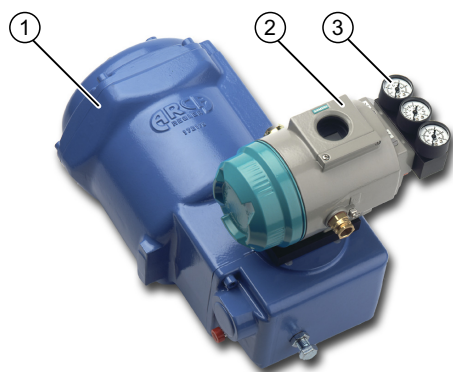
- ① Part-turn actuator
- ② Pressure gauge block, double-acting
- ③ Double-acting positioner in polycarbonate enclosure

Figure 3-2 Positioner attached to double-acting part-turn actuator



- ① Single-acting positioner in flameproof aluminum enclosure
- ② Pressure gauge block, single-acting
- ③ Yoke / actuator yoke
- ④ Actuator

Figure 3-3 Positioner in flameproof aluminum enclosure attached to linear actuator

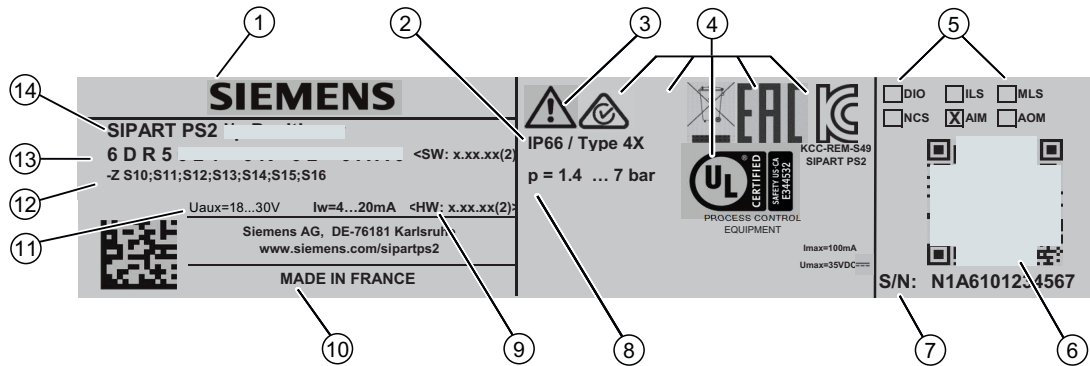


- ① Part-turn actuator
- ② Double-acting positioner in flameproof aluminum enclosure
- ③ Pressure gauge block, double-acting

Figure 3-4 Positioner in flameproof aluminum enclosure attached to part-turn actuator

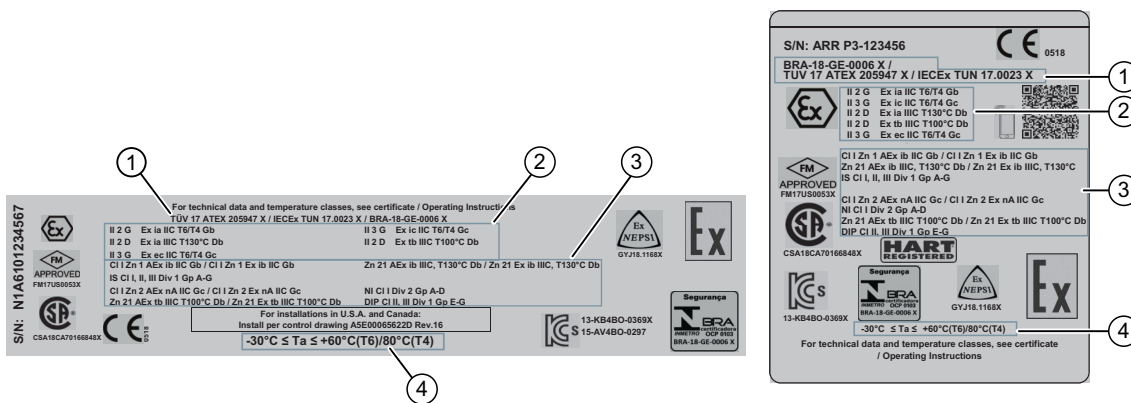
3.2.2 Nameplate layout

Example of manufacturer nameplate



- ① Manufacturer
- ② Degree of protection
- ③ Observe the operating instructions
- ④ Conformity with country-specific directives
- ⑤ Built-in option modules
- ⑥ QR code to the mobile website with device-specific product information
- ⑦ Serial number
- ⑧ Supply pressure PZ
- ⑨ Software version and hardware version
- ⑩ Country of origin
- ⑪ Supply voltage
- ⑫ Ordering supplement (Order code)
- ⑬ Article number
- ⑭ Product name

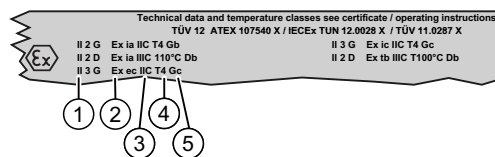
Example of explosion protection nameplate



- ① Approvals
- ② ATEX/IECEx marking for hazardous area
- ③ FM/CSA marking for hazardous area
- ④ Permissible ambient temperature for operation in hazardous areas

3.2.3 Explanation of Ex information

Explanation of Ex information

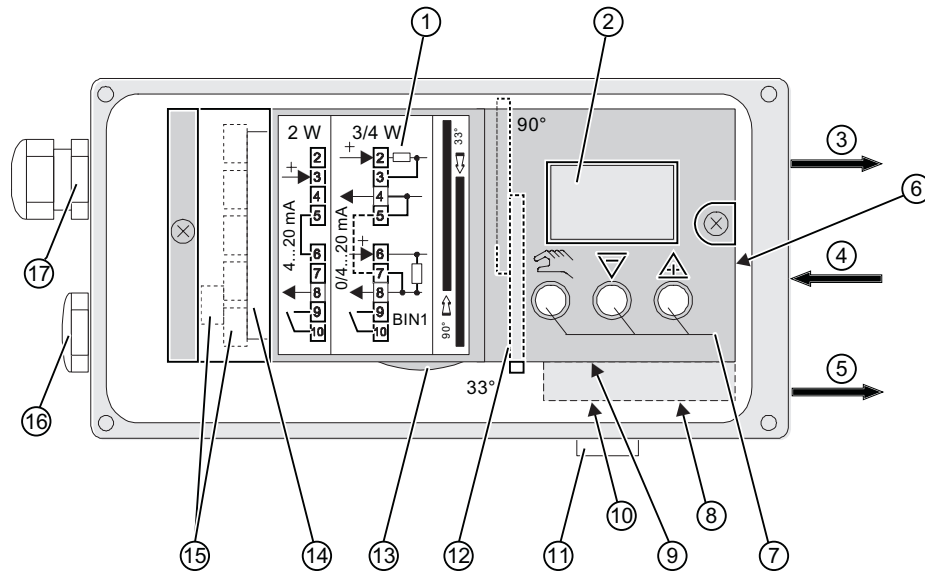


- ① Category for operating range
- ② Type of protection
- ③ Group (gas, dust)
- ④ Maximum surface temperature (temperature class)
- ⑤ Device protection level

Figure 3-5 Explanation of Ex information

3.3 Device components

3.3.1 Overview of device components



→ Arrowhead means: Turn the device to see the corresponding view

- | | |
|---|---|
| ① Wiring diagram on module cover | ⑩ Restrictor Y1 for double-acting actuators |
| ② Display | ⑪ Exhaust air outlet with a sound absorber |
| ③ Output: Actuating pressure Y1 | ⑫ Transmission ratio selector ²⁾ |
| ④ Input: Supply pressure PZ | ⑬ Friction clutch adjustment wheel |
| ⑤ Output: Actuating pressure Y2 ¹⁾ | ⑭ Basic electronics |
| ⑥ Purging air selector | ⑮ Connecting terminals of option modules |
| ⑦ Buttons | ⑯ Blanking plug |
| ⑧ Restrictor Y2 for double-acting actuators ¹⁾ | ⑰ Cable gland |
| ⑨ Restrictor Y1 for single-acting actuators | |

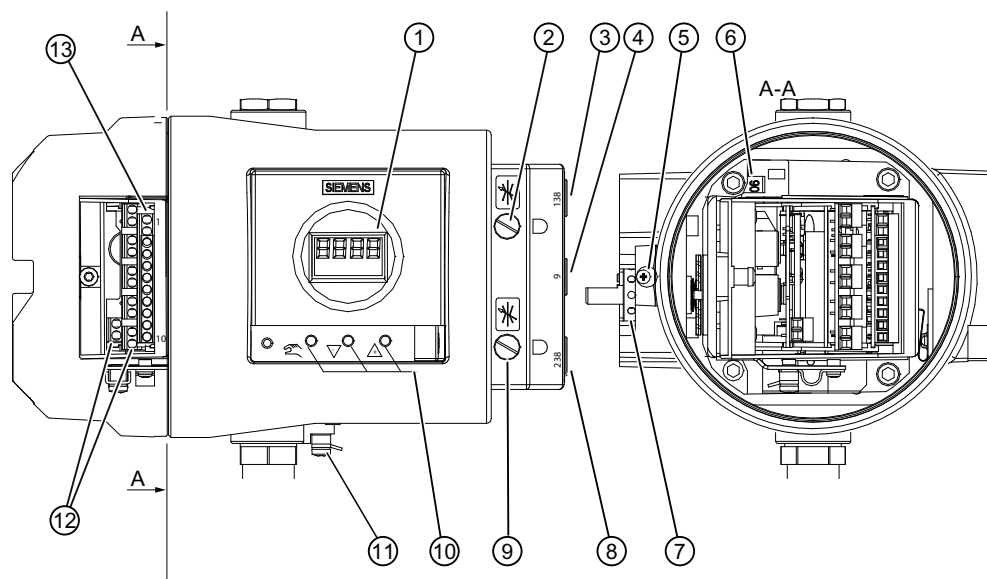
¹⁾ for double-acting actuators

²⁾ visible when the positioner is open

Figure 3-6 View of positioner with cover open

See also

Structure of pneumatic connection (Page 91)



- | | | | |
|---|---|---|---|
| ① | Display | ⑧ | Output: Actuating pressure Y2 ¹⁾ |
| ② | Restrictor Y1 | ⑨ | Restrictor Y2 ¹⁾ |
| ③ | Output: Actuating pressure Y1 | ⑩ | Buttons |
| ④ | Input: Supply pressure PZ | ⑪ | Ground terminal |
| ⑤ | Safety catch | ⑫ | Connecting terminals of option modules |
| ⑥ | Transmission ratio selector ²⁾ | ⑬ | Connecting terminals of basic electronics |
| ⑦ | Friction clutch adjustment wheel | | |

¹⁾ for double-acting actuators

²⁾ visible when the positioner is open

Figure 3-7 View of positioner in flameproof enclosure, cover opened

3.3.2 Basic electronics

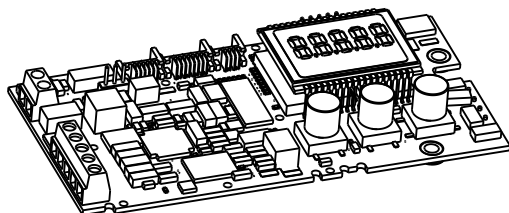


Figure 3-8 Basic electronics, schematic representation

The basic electronics contains:

- CPU
- Memory
- Analog-to-digital converter
- Display

3.4 Mode of operation

- Buttons
- Terminal strips to connect the option module to the basic electronics

3.4 Mode of operation

Control loop

The electropneumatic positioner forms a control loop with the pneumatic actuator:

- The actual value x represents the position of the actuator spindle for linear actuators or the position of the actuator shaft for part-turn actuators.
- The higher-level control loop provides the setpoint w .

The stroke or rotary movement of the actuator is transferred to a potentiometer using suitable attachments, positioner shaft and a backlash-free, switchable gear drive, and then to the analog input of the microcontroller.

The current position can also be forwarded to the positioner using an external sensor. A **Non Contacting Position Sensor (NCS)** is used to record the stroke or rotary angle directly on the actuator.

The microcontroller:

- Corrects the angle error of the shaft pick-up if necessary.
- Compares the potentiometer voltage as actual value x with setpoint w .
- Calculates the manipulated variable increments $\pm\Delta y$.

Depending on the size and direction of the control deviation ($x-w$), pressurizing or depressurizing occurs via the pneumatic block. The actuator volume integrates the controller increment for the actuating pressure y which is proportional to the drive rod or the drive shaft. This controller increment changes the actuating pressure until the control deviation becomes zero.

Pneumatic actuators are available in single and double-acting versions. In a single-acting version, only one pressure chamber is ventilated and depressurized. The pressure developed works against a spring. In a double-acting version, two pressure chambers work against each other. Ventilating the volume of one chamber simultaneously depressurizes the volume of the other.

Control algorithm

The control algorithm is an adaptive, predictive five-point controller.

In case of large control deviations, the valves are controlled using permanent contact. This takes place in the so-called fast step zone.

For medium control deviations, the pneumatic block is controlled by pulses modulated by pulse length. This takes place in the so-called slow step zone.

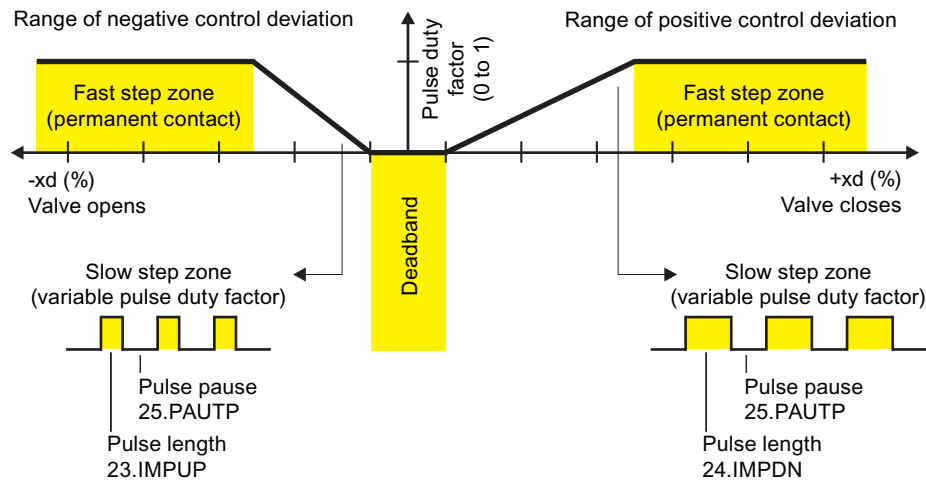


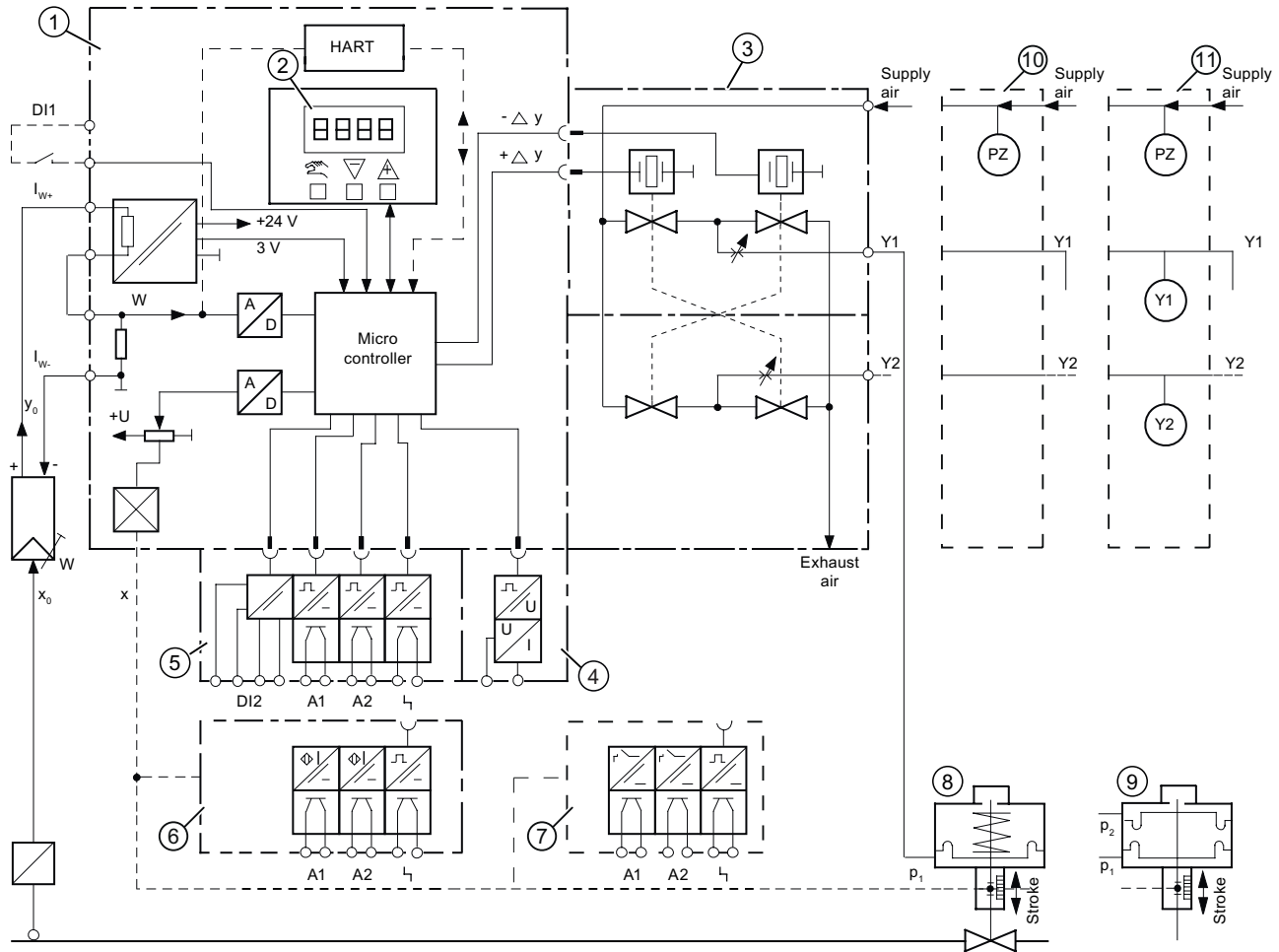
Figure 3-9 Functional principle of five-point controller

Small control deviations do not send control pulses in the zone. This takes place in the so-called adaptive deadband. The deadband adaptation and the continuous adaptation of minimum pulse lengths in "Automatic" mode ensure the best possible control accuracy with the smallest number of operating cycles. The start parameters are determined during the initialization phase and stored in the non-volatile memory. The most important start parameters are:

- The real actuator travel with end positions
- Travel times
- The deadband size

The number of fault messages, changes in direction, and the number of total strokes are continuously determined during operation and saved every 15 minutes. Document and read out these parameters via the communication software, e.g. SIMATIC PDM and AMS. By comparing the old values with the current ones, you can draw conclusions about the wear and tear of the valve. This is done using the diagnostics function.

3.4.1 Block circuit diagram for single-acting or double-acting actuators



- ① Basic electronics with microcontroller and input circuit
- ② Control pad with display and buttons
- ③ Single-acting or double-acting pneumatic block
- ④ Analog Output Module (AOM) for positioners
- ⑤ Digital I/O Module (DIO) for 3 digital outputs and 1 digital input
- ⑥ Inductive Limit Switches (ILS)
- ⑦ Mechanic Limit Switches (MLS)
- ⑧ Spring-loaded pneumatic actuator (single-acting)
- ⑨ Pneumatic actuator (double-acting)
- ⑩ Pressure sensor module
- ⑪ Pressure gauge block

Figure 3-10 Block circuit diagram for the electropneumatic positioner, functional diagram

Note**Digital I/O Module (DIO), Inductive Limit Switches (ILS) and Mechanic Limit Switches (MLS)**

Digital I/O Module (DIO)⑤, Inductive Limit Switches (ILS)⑥ and Mechanic Limit Switches (MLS)⑦ can only be used alternatively.

3.4.2 Mode of operation of the HART function

Note**Priority of operation / failure of power supply**

- Operation at the positioner has priority over specifications from the HART communicator.
 - Failure of the auxiliary power to the positioner also interrupts communications.
-

Function

The positioner is also available with built-in HART functionality. The HART protocol allows you to communicate with your device using a HART communicator, PC, or programming unit. You can do the following with your device:

- Convenient configuration
- Store configurations
- Call up diagnostic data
- Show online measured values

Communication takes place as frequency modulation on the existing signal lines for the setpoint of 4 to 20 mA.

The positioner is integrated into the following parameter assignment tools:

- HART communicator
- PDM (Process Device Manager)
- AMS (Asset Management System)

3.4.3 HART system configuration

Overview

The positioner can be used in a number of system configurations:

- Stand-alone, supplied with the required auxiliary power supply; communication with supplementary units (handheld), for example
- As part of a complex system environment, e.g. SIMATIC S7

System communication

Communication is via the HART protocol, using:

- HART Communicator (load 230 ... 1100 Ω)
- PC with HART modem, on which appropriate software is installed, e.g. SIMATIC PDM (load 230 ... 500 Ω)
- Control system which can communicate via the HART protocol, e.g. SIMATIC PCS7

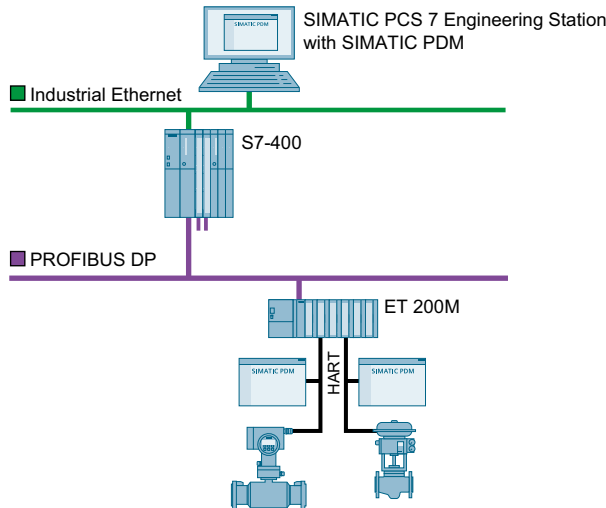


Figure 3-11 Typical system configurations

3.4.4 SIMATIC PDM

SIMATIC PDM is a software package for configuring, parameter assignment, commissioning, diagnostics and maintenance of this device and other process devices.

SIMATIC PDM offers simple monitoring of process values, alarms, and device status information.

SIMATIC PDM allows the process device data to be:

- displayed
- set
- modified
- saved
- diagnosed
- checked for plausibility
- managed
- simulated

Additional information on SIMATIC PDM can be found at www.siemens.com/simatic-pdm (www.siemens.com/simatic-pdm).

See also

Overview of the assignment of the HART variables (Page 189)

3.4 Mode of operation

Installing/mounting

4.1 Basic safety instructions

 WARNING**High operating force with pneumatic actuators**

Risk of injury when working on control valves due to the high operating force of the pneumatic actuator.

- Please observe the corresponding safety instructions for the pneumatic actuator in use.

 WARNING**It is possible to damage the cover gasket**

If the cover gasket is not positioned correctly in the groove of the base plate, it could be damaged when the cover is mounted and screwed tight.

- Therefore make sure that the gasket is seated correctly.

 WARNING**Exceeded maximum permissible operating pressure**

Risk of injury or poisoning.


The maximum permissible operating pressure depends on the device version, pressure limit and temperature rating. The device can be damaged if the operating pressure is exceeded. Hot, toxic and corrosive process media could be released.


Ensure that maximum permissible operating pressure of the device is not exceeded. Refer to the information on the nameplate and/or in Technical data (Page 239).


 WARNING**Electrostatic charging of nameplates**

The nameplates used on the device can reach a charging capacity of 5 pF.

- Keep the device and the cables at a distance from strong electromagnetic fields.

 CAUTION
Unsuitable compressed air
Device damage. As a general rule, the positioner must only be operated with dry and clean compressed air.
<ul style="list-style-type: none">• Use the customary water separators and filters. An additional dryer is required in extreme cases.• Use dryers, especially if you operate the positioner at low ambient temperatures.

 CAUTION
Adhere to the following instructions before working on the control valve and when attaching the positioner
Danger of injury.
<ul style="list-style-type: none">• Prior to working on the control valve, you must move the actuator and the process valve into a completely pressureless state. Proceed as follows:<ul style="list-style-type: none">– Depressurize the actuator chambers.– Switch off the supply pressure PZ.– Secure the process valve.• Make sure that the actuator has reached the pressureless state.• If you interrupt the supply pressure PZ to the positioner, the pressureless position can only be reached after a certain waiting time.• When mounting, adhere strictly to the following order to avoid injuries or mechanical damage to the positioner/mounting kit:<ul style="list-style-type: none">– Mount the positioner mechanically.– Electric connection.– Connect supply pressure PZ.– Commission the positioner.

 WARNING
Mechanical impact energy
In order to ensure the degree of protection of the housing (IP66), protect the housing versions of the positioners listed here from mechanical impact energy:
<ul style="list-style-type: none">• 6DR5..3; not greater than 2 Joule• 6DR5..0; not greater than 1 Joule• 6DR5..1 with inspection window; not greater than 1 Joule

NOTICE

Torque with NPT screwed gland

Device damage. The maximum torque of the cable gland must not be exceeded.

- To avoid damage to the device, the NPT adapter must be held in place while the NPT gland is screwed into the NPT adapter. Refer to the section "Technical specifications > Construction (Page 240)" for the torque value.

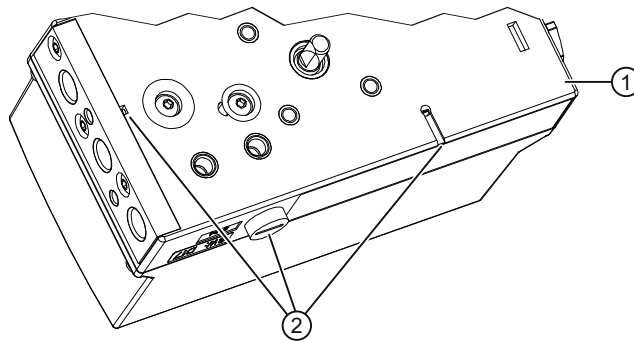
4.1.1 Proper mounting

NOTICE

Freezing of the exhaust air outlets

When devices of the type 6DR5..0/1/2/3 are used, the exhaust air outlets ② may freeze. The function of the device is impaired.

- Do **not** install the positioner with the base plate ① pointing up.



- ① Base plate
- ② Exhaust air outlets

Figure 4-1 Exhaust air outlets, base plate

4.1.1.1 Loss of explosion protection

⚠ WARNING

Loss of explosion protection

Risk of explosion in hazardous areas if the device is open or not properly closed.

- Close the device as described in Installing/mounting (Page 37).

<p>NOTICE</p> <p>Incorrect mounting</p> <p>The device can be damaged, destroyed, or its functionality impaired through improper mounting.</p> <ul style="list-style-type: none"> • Before installing ensure there is no visible damage to the device. • Make sure that process connectors are clean, and suitable gaskets and glands are used. • Mount the device using suitable tools. Refer to the information in Technical data (Page 239).

4.2 Mounting to linear actuator

Requirements

There are linear actuators for standard mounting in accordance with IEC 60534 and for integrated mounting. Use the reduced mounting kit 6DR4004-8VK for actuators with integrated mounting. Integrated mounting is not possible with flameproof stainless steel enclosure (6DR5..6).

This section describes how to connect the positioner to the linear actuator according to IEC 60534. Depending on the stroke height, you will need the following mounting kit:

- 3 to 35 mm mounting kit 6DR4004-8V
- 35 to 130 mm mounting kit 6DR4004-8V and additional 6DR4004-8L

See also

Construction (Page 240)

Procedure

"Linear actuator IEC 60534 (3 to 35 mm)" mounting kit 6DR4004-8V and 6DR4004-8L			
Sr. no. ʹ	Quantity	Name	Note
①	1	NAMUR mounting bracket IEC 60534	Standardized connection point for mount with fin, column or plane surface
②	1	Pick-up bracket	Guides the pulley with the carrier pin and rotates the lever arm.
③	2	Clamping piece	Installs the pick-up bracket on the actuator spindle
④	1	Carrier pin	Installation with pulley ⑤ on lever ⑥
⑤	1	Pulley	Installation with carrier pin ④ on lever ⑥
⑥	1	Lever	For the range of stroke from 3 mm to 35 mm The lever 6DR4004-8L is additionally required for ranges of stroke > 35 mm to 130 mm (not included in the scope of delivery).
⑦	2	U-bolts	Only for actuators with columns

"Linear actuator IEC 60534 (3 to 35 mm)" mounting kit 6DR4004-8V and 6DR4004-8L			
Sr. no. ¹⁾	Quantity	Name	Note
⑧	4	Hexagon bolt	M8x20 DIN 933-A2
⑨	2	Hexagon bolt	M8x16 DIN 933-A2
⑩	6	Spring lock washer	A8 - DIN 127-A2
⑪	6	Washer	B8.4 - DIN 125-A2
⑫	2	Washer	B6.4 - DIN 125-A2
⑬	1	Spring	VD-115E 0.70 x 11.3 x 32.7 x 3.5
⑭	1	Spring lock washer	A6 - DIN 137A-A2
⑮	1	Lock washer	3.2 - DIN 6799-A2
⑯	3	Spring lock washer	A6 - DIN 127-A2
⑰	3	Socket cap screw	M6x25 DIN 7984-A2
⑱	1	Hexagon nut	M6 - DIN 934-A4
⑲	1	Square nut	M6 - DIN 557-A4
⑳	4	Hexagon nut	M8 - DIN 934-A4

¹⁾ The serial numbers refer to the images of the description of the installation steps below.

1. Install the clamping pieces ③ on the actuator spindle.
2. Slide the pick-up bracket ② into the milled recesses of the clamping pieces ③.

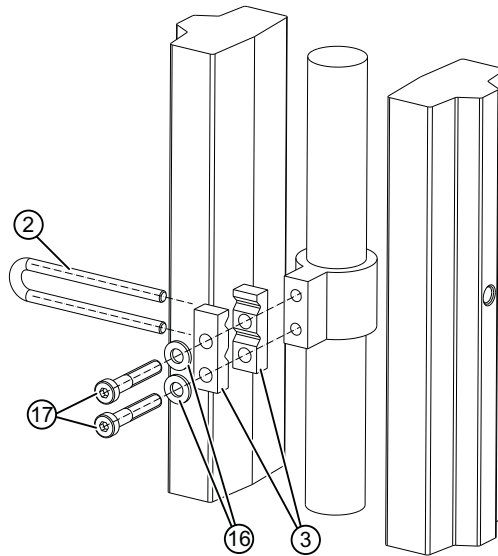


Figure 4-2 Pick-up bracket

3. Tighten the screws ⑰ so that you can still shift the pick-up bracket ②.

4.2 Mounting to linear actuator

4. If you use a short lever, the carrier pin is already pre-mounted. If you use the long lever 6DR4004-8L, fasten the carrier pin ④ with the existing parts to the long lever.

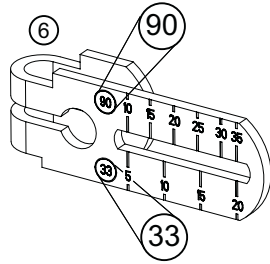


Figure 4-3 Short lever

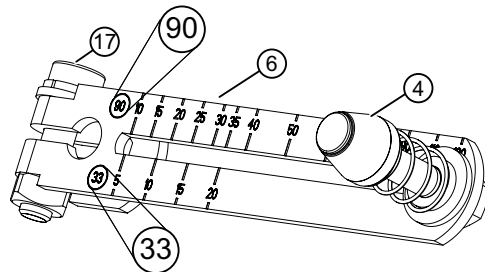


Figure 4-4 Long lever 6DR4004-8L with mounted carrier pin ④ and cylinder head screw ⑰

5. Set the stroke value. The stroke value is specified on the nameplate of the actuator. Position the pin center of the carrier pin ④ on the corresponding value of the scale. If none of the values on the lever scale matches the stroke value of the actuator, select the next higher value on the scale.
For strokes ≥ 25 mm, select the scale (90). For strokes < 25 mm, select the scale (33).
6. Set the transmission ratio selector (Page 48) to the value of the selected scale.
7. If you need the value of actuator travel after initialization in mm: ensure that the configured stroke value matches the value of the "3.YWAY" parameter.
8. Push the pre-installed lever ⑥ up to the endstop on the positioner shaft. Fasten the lever ⑥ with socket cap screw ⑰.

9. Install the mounting bracket ① at the rear side of the positioner. Use 2 hexagon bolts ⑨, 2 spring lock washers ⑩ and 2 flat washers ⑪ for this purpose.

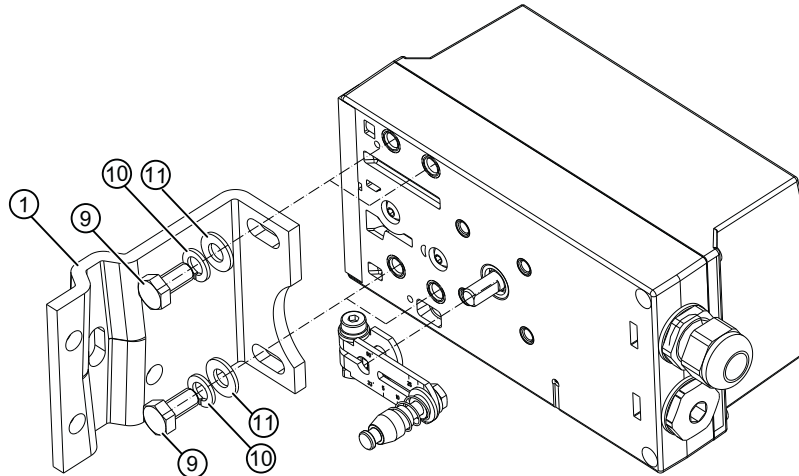


Figure 4-5 Installation with mounting bracket

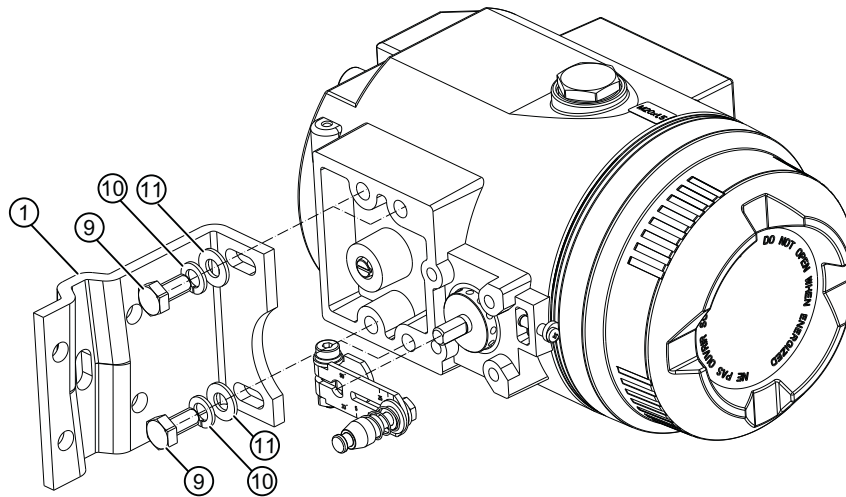


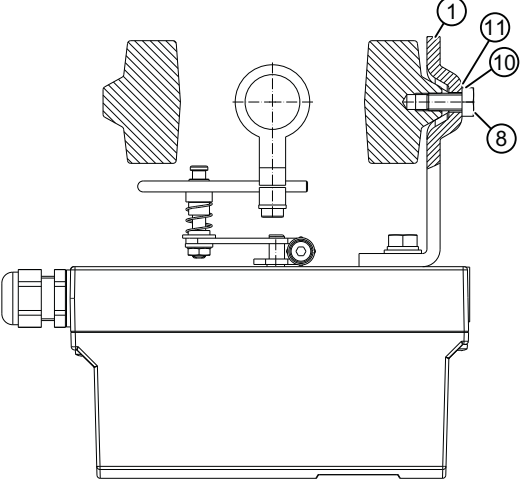
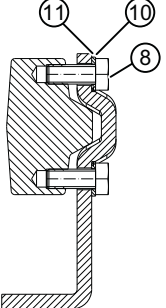
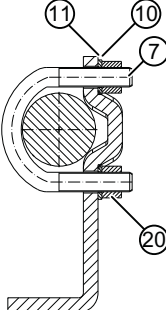
Figure 4-6 Installation with mounting bracket, flameproof enclosure

10. Select the row of holes. The selection of the row of holes depends on the yoke width of the actuator. Select the row of holes in such a way that the carrier pin ④ meshes with the pick-up bracket ② near the spindle.
11. Keep the positioner and the fastening bracket on the actuator. Ensure that the carrier pin ④ for the entire range of stroke of the actuator is guided inside the pick-up bracket ②. Ensure that the carrier pin ④ does not touch the clamping pieces ③.

4.2 Mounting to linear actuator

12. Tighten the pick-up bracket ②.

13. Fasten the positioner on the yoke. Use the installation parts suitable for the corresponding actuator.

Actuator type	Required installation components	
Yoke with fin	<ul style="list-style-type: none"> • Hexagon bolt ⑧ • Washer ⑪ • Spring lock washer ⑩ 	
Yoke with plane surface	<ul style="list-style-type: none"> • Four hexagon bolts ⑧ • Washer ⑪ • Spring lock washer ⑩ 	
Yoke with columns	<ul style="list-style-type: none"> • Two U-bolts ⑦ • Four hexagon nuts ⑳ • Washer ⑪ • Spring lock washer ⑩ 	

Note**Height adjustment of the positioner**

When you fasten the positioner on the yoke, the following applies to its height adjustment:

1. Set the height of the positioner in such a way that the horizontal lever position is near the center of the stroke.
2. Orient yourself by the lever scale of the actuator.
3. If symmetrical mounting is not possible, you must always ensure that the horizontal lever position is maintained within the range of stroke.

4.3 Mounting to part-turn actuator

Requirements

You require an actuator-specific VDI/VDE 3845 mount to install the positioner on a part-turn actuator. Because of the high weight of the version in the flameproof stainless steel enclosure 6DR5..6, you should select a particularly stable mount.

Procedure

"Part-turn actuator" mounting kit 6DR4004-8D			
Sr. no. *)	Quantity	Designation	Note
①	1	Coupling wheel	Installation on positioner shaft
②	1	Carrier	Installing on the actuator shaft
③	1	Multiple plate	Display of the position, consisting of scale ⑤ and pointer mark ⑥
④	8	Scale	Different divisions
⑤	2	Pointer mark	Reference point for scale
⑥		Mounting console	Actuator-specific, VDI/VDE 3845
⑦	4	Hexagon bolt	M6x12 DIN 933, torque see the section "Technical specifications > Construction (Page 240)"
⑧	4	Lock washer	S6
⑨	1	Socket cap screw	M6x16 DIN 84
⑩	1	Washer	6.4 DIN 125
⑪	1	Hex socket-head screw	For coupling wheel
	1	Machinist's wrench	For hexagon socket-head screw ⑪

*) The serial numbers refer to the images in the description of the steps below.

4.3 Mounting to part-turn actuator

1. Rest the actuator-specific VDI/VDE 3845 mount ⑥ on the rear side of the positioner. Tighten the mount using the hexagon bolts ⑦ and lock washers ⑧.
2. Push the coupling wheel ① or the stainless steel coupling up to the endstop on the positioner shaft. Then retract the coupling wheel or the stainless steel coupling by approximately 1 mm. Tighten the hexagon socket-head screw ⑪ using the machinist's wrench provided. Maximum tightening torque = 1 Nm. If you are using the stainless steel coupling, omit the next step.

Note

Coupling wheel

Instead of the polycarbonate coupling wheel ①, it is possible to use a stainless steel coupling (article number TGX:16300-1556).

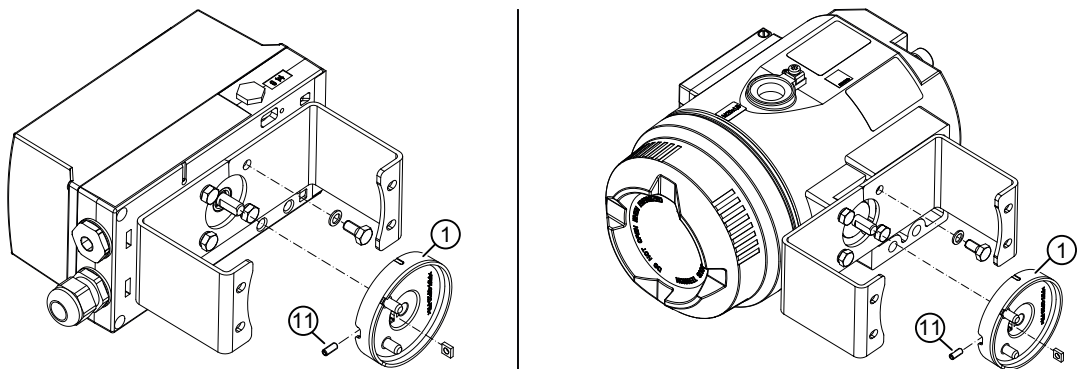


Figure 4-7 Left: Coupling wheel, right: Coupling wheel, flameproof enclosure

3. Place the carrier ② on the actuator shaft. Tighten the carrier ② using the socket cap screw ⑨ and the washer ⑩.

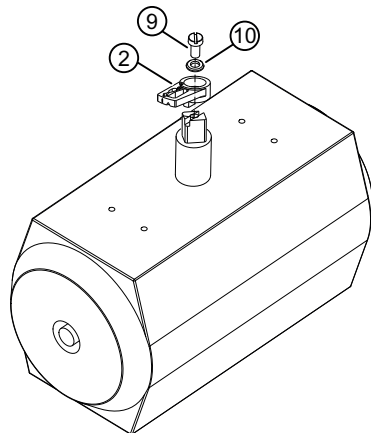


Figure 4-8 Carrier

- Place the positioner and the mount on the actuator carefully. One of the two pins ⑫ of the coupling wheel ① must fit in the carrier ② when you do this.

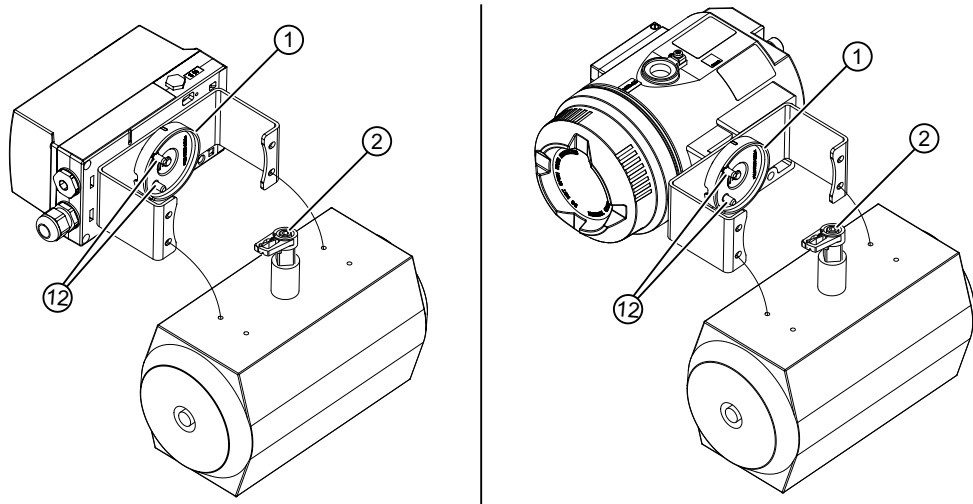


Figure 4-9 Left: Orientation of mount; right: Orientation of mount, flameproof enclosure

- When using the stainless steel coupling (article number TGX:16300-1556): Place the positioner and the mount on the actuator carefully. Place the stainless steel coupling on the stump of the actuator's positioner shaft.
- Align the positioner with mount at the center of the actuator.
- Fasten the positioner with mount.
- Initialize the positioner.
- After commissioning, drive the positioner to the end position.
- Stick the scale ④ with the direction of rotation or the swivel range on the coupling wheel ①. The stickers with scale are self-adhesive.

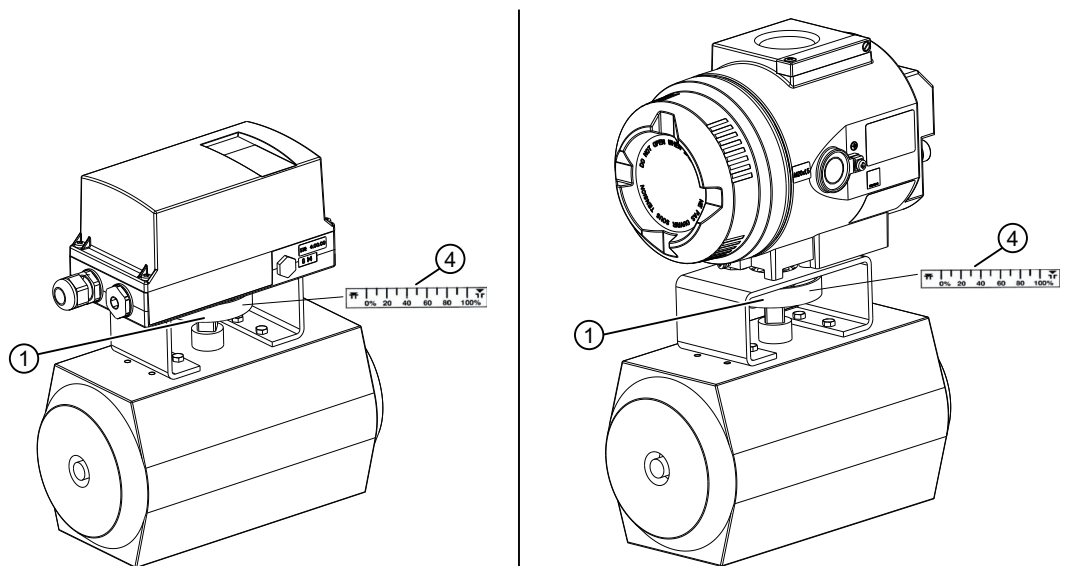
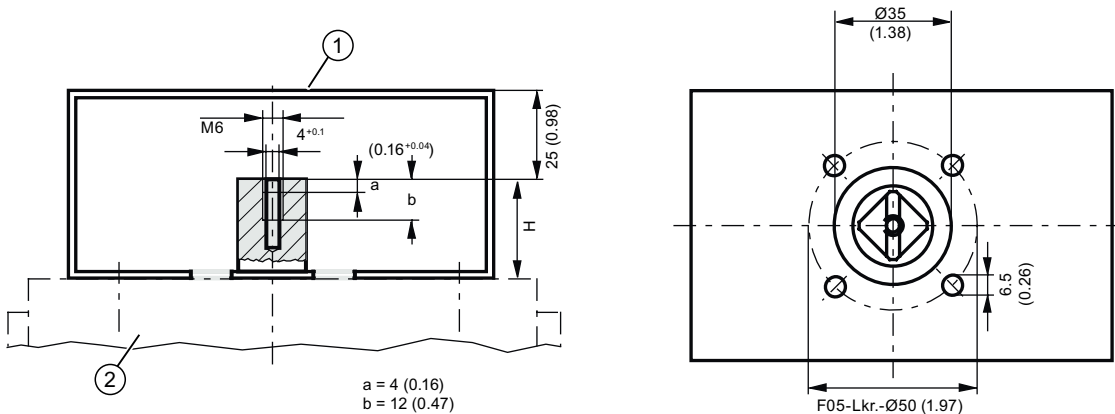


Figure 4-10 Left: Adhesive label with scale; right: Adhesive label with scale, flameproof enclosure

4.4 Setting and locking the transmission ratio



H = height of shaft butt

- ① Fixing level of positioner on mount
- ② Part-turn actuator

Figure 4-11 Dimensions of mount in accordance with VDI/VDE 3845 (depends on actuator)

See also

Preparing part-turn actuators for commissioning (Page 124)

4.4 Setting and locking the transmission ratio

Introduction

The positioner has a friction clutch and a transmission ratio selector. The positioner can therefore be used on a variety of mechanically different part-turn and linear actuators.

- The transmission ratio selector allows you to adapt the positioner to small or large strokes.
- You can then use the friction clutch to adjust the working area.

Strong acceleration forces act on control valves that are subjected to heavy mechanical loads, e.g. breakaway valves, strongly shaking or vibrating valves, as well as in case of "vapor shocks". These forces may be much higher than the specified data. This may move the transmission ratio in extreme cases. In these cases it is possible to lock the transmission ratio selector by means of the gear fixing.

When the positioner is mounted and fully operational, set the friction clutch as described in the section Setting the friction clutch (Page 115).

NOTICE**Wrong registration of the rotary or part-turn movement**

A different setting of the transmission ratio selector and the gear latch results in a hysteresis in position detection. The hysteresis in position detection can result in unstable control response of the higher level control loop.

- Make sure the transmission ratio selector ⑤ and the gear latch ① are set to the same value, either to 33° or to 90°.

Note**Use of external NCS sensor / internal NCS module**

If you use the accessory part "NCS sensor for non-contacting position detection" or a built-in internal NCS module, the locking and fixing measures described in this section are **not** necessary.

Requirement

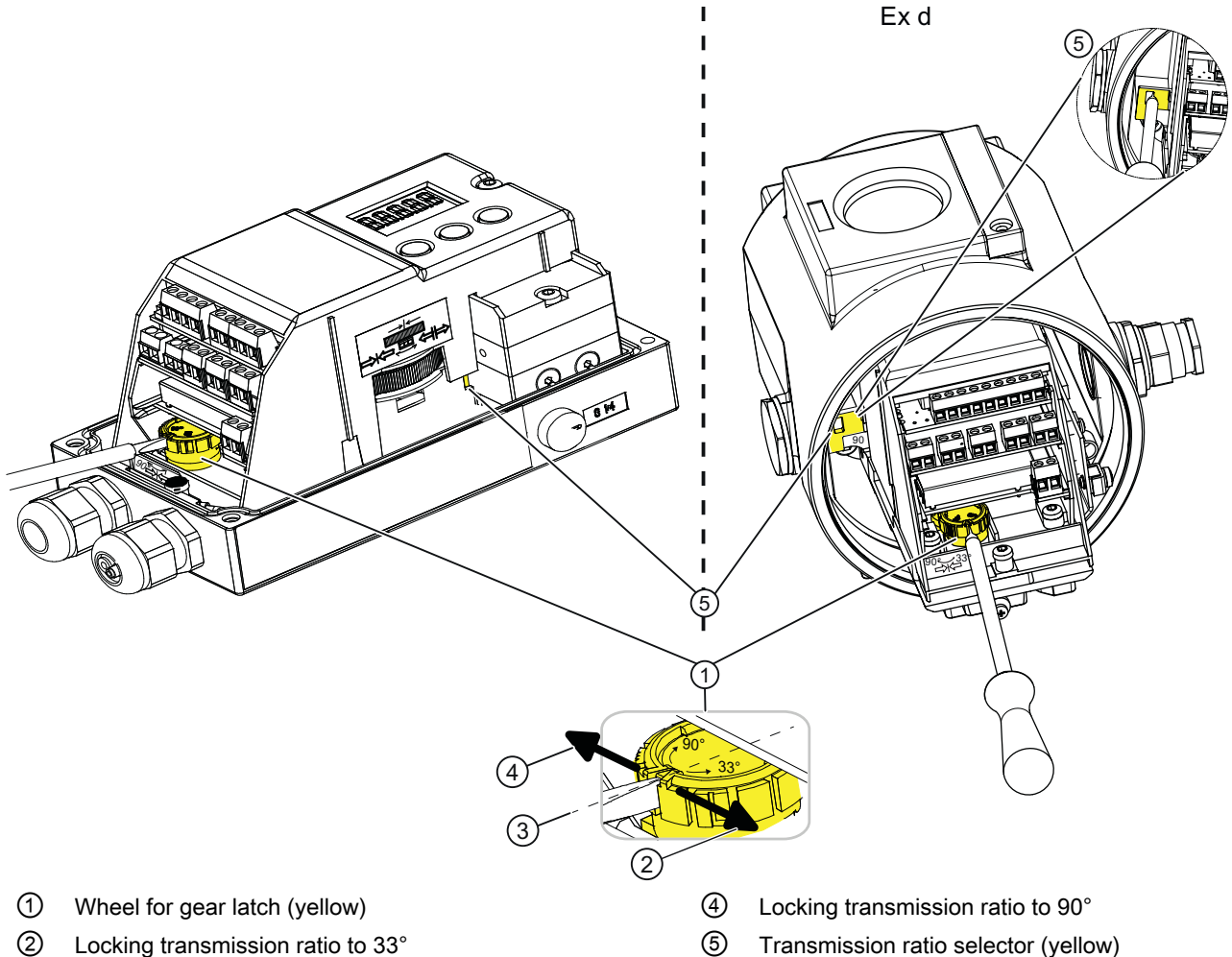
- The positioner is mounted.
- You know whether the transmission ratio is to be set to 33° or 90°.

See also

Commissioning (Page 105)

Procedure

On the right in the graphic the positioner is shown in the flameproof enclosure Ex d with open cover. The procedure is the same for both enclosure versions.



- ① Wheel for gear latch (yellow)
- ② Locking transmission ratio to 33°
- ③ Neutral position
- ④ Locking transmission ratio to 90°
- ⑤ Transmission ratio selector (yellow)

Figure 4-12 Locking the transmission ratio

1. Ensure that the wheel for the gear latch ① is in neutral position ③. The neutral position is between 33° and 90°. The setting of the transmission ratio selector ⑤ can only be changed effectively if the gear latch ① is in the neutral position ③.
2. Make sure the transmission ratio selector ⑤ is set to the same value as the gear latch ①, either to 33° or to 90°.
3. Turn the wheel for the gear latch ① until the gear latch ① perceptibly locks. Use an approx. 4 mm wide standard screwdriver.
Turning right locks the transmission ratio to 33° ②. Turning left locks the transmission ratio to 90° ④.

The transmission ratio ② is set and locked.


See also

Opening the device version with "flameproof enclosure" (Page 55)

Commissioning (Page 105)

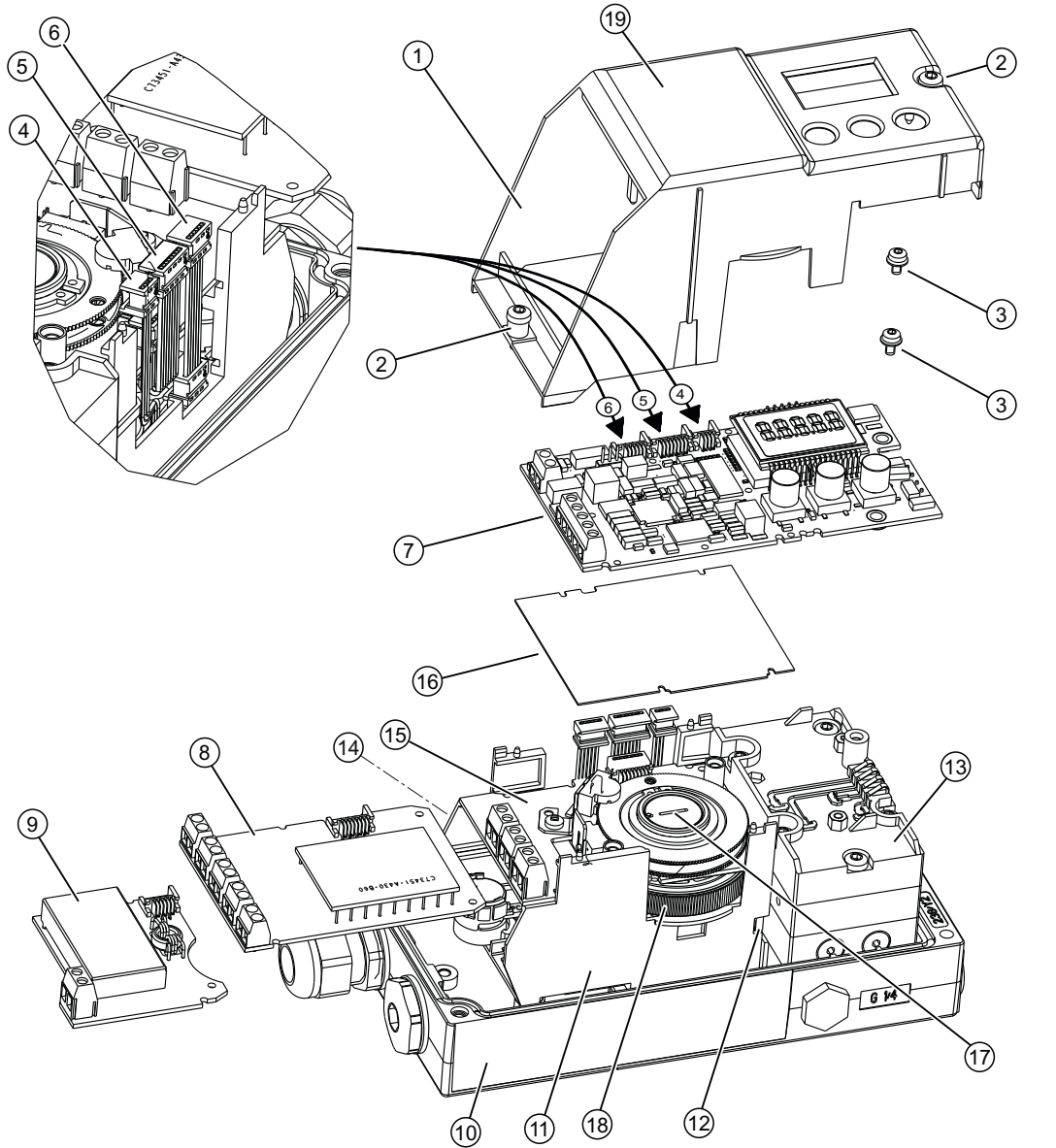
4.5 Installing option modules

4.5.1 General information on installing option modules

 WARNING
Use in hazardous area
Risk of explosion.
<ul style="list-style-type: none">• Only use equipment that is approved for use in the intended hazardous area and labeled accordingly.• Do not use devices that have been operated outside the conditions specified for hazardous areas. If you have used the device outside the conditions for hazardous areas, make all Ex markings unrecognizable on the nameplate.

4.5.1.1 Opening the standard and intrinsically safe version

Overview screen



- | | | | |
|---|--|---|---|
| ① | Module cover | ⑪ | Adapter |
| ② | Fixing screws module cover | ⑫ | Transmission ratio selector |
| ③ | Fixing screws basic electronics | ⑬ | Pneumatic block |
| ④ | Ribbon cable/connector for fitted potentiometer or fitted Analog Input Module (AIM) | ⑭ | Warning label on the side opposite the nameplate |
| ⑤ | Ribbon cable/connector for Digital I/O Module (DIO), Inductive Limit Switches (ILS) or Mechanic Limit Switches (MLS) | ⑮ | Inductive Limit Switches (ILS) or Mechanic Limit Switches (MLS) |

- | | |
|---|------------------------------------|
| ⑥ Ribbon cable/connector for Analog Output Module (AOM) | ⑩ Insulating cover, yellow |
| ⑦ Basic electronics | ⑪ Special screw |
| ⑧ Digital I/O Module (DIO) | ⑫ Friction clutch adjustment wheel |
| ⑨ Analog Output Module (AOM) | ⑬ Wiring diagram on module cover |
| ⑩ Nameplate | |

Figure 4-13 Installing the optional modules in the standard and intrinsically safe version

Procedure

1. Open the positioner.
2. Loosen the four fixing screws of the enclosure cover. Remove the enclosure cover.
3. Disconnect the power supply lines or de-energize the power supply lines.
4. Disconnect all other electrical connections of the device.
5. Loosen the two fixing screws ② of the module cover ①.
6. Remove the module cover ①.

If you are installing an option module, proceed as described for the respective option modules. Remove the basic electronics for Inductive Limit Switches (ILS), Mechanic Limit Switches (MLS), the internal NCS module and Analog Input Module (AIM).

If you are replacing the basic electronics, a pneumatic block or pressure sensor module, proceed as described in the respective sections under "Service and maintenance (Page 197)".

4.5.1.2 Closing the standard and and intrinsically safe version

Procedure

The legend numbers refer to the figure in "Opening the standard and intrinsically safe version (Page 52)"

1. Now start with the assembly. Place on the module cover ①. Make sure that the ribbon cable is not trapped.
2. Turn the fixing screws ② counterclockwise until they noticeably engage in the thread pitch.
3. Carefully tighten both fixing screws ② in a clockwise direction.
The module cover protects and locks the optional modules mechanically.

Note

Untimely wear

The module cover is fastened using **self-tapping** screws, one screw for the base plate and one screw for the pneumatic block.

- In order to avoid premature wear of the base plate and pneumatic block, proceed as described here.
-


4. Connect the power supply lines or supply the power supply lines with voltage.

4.5 Installing option modules

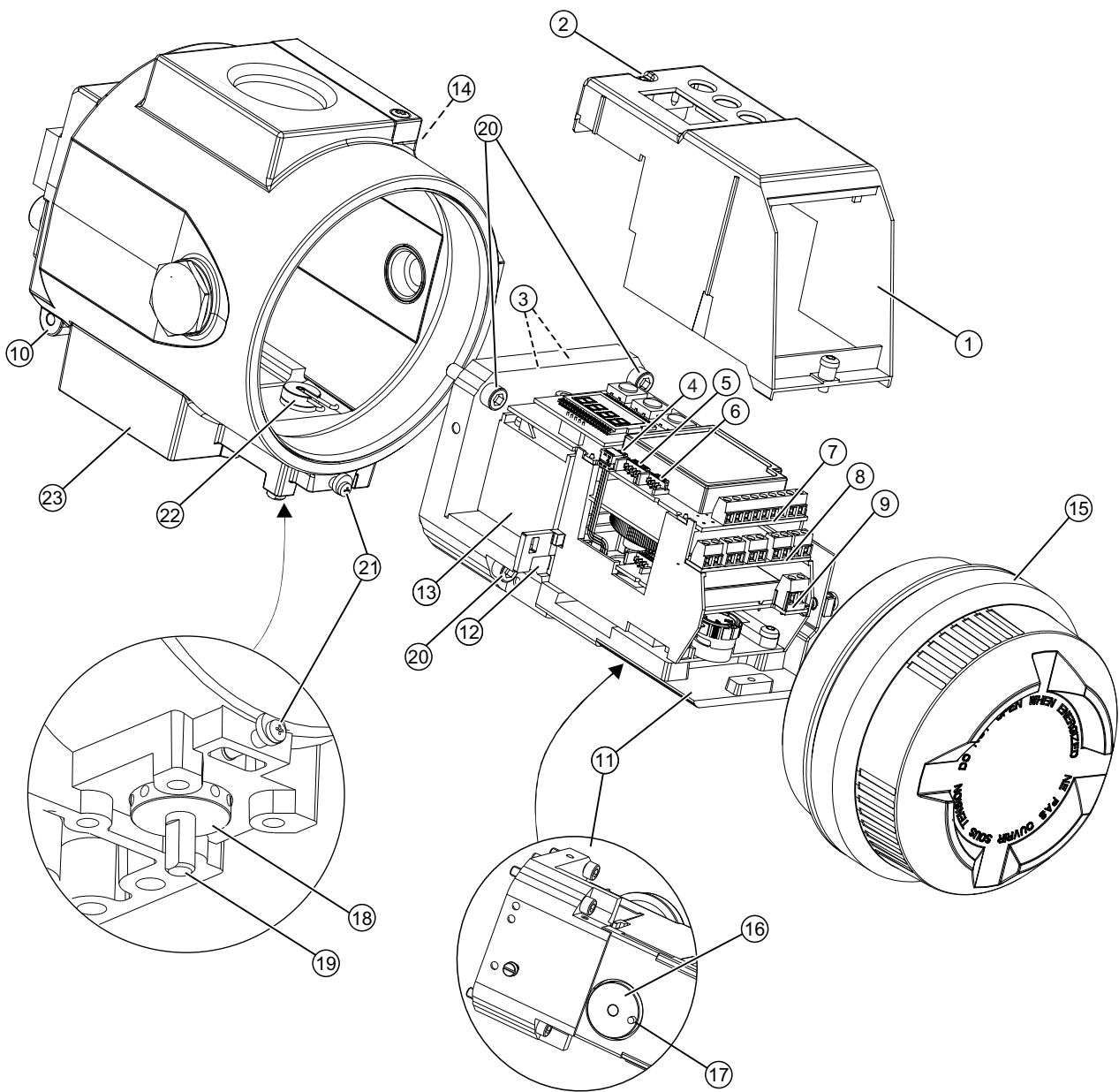
5. Put on the enclosure cover.
6. Tighten the fixing screws of the enclosure cover.

4.5.1.3 Opening the device version with "flameproof enclosure"

Overview screen

 DANGER
<p>Risk of explosion</p> <p>Before supplying the positioner with auxiliary power in potentially hazardous areas, ensure the following:</p> <ul style="list-style-type: none">• The installed electronic unit has been approved.• The enclosure of the positioner is closed.• The duct openings for electronic connections must be closed. Only use the Ex d certified cable entries or sealing plugs.• If you use a "conduit piping system", install an ignition trap. The maximum distance between the ignition trap and the positioner enclosure is 46 cm (18 inch).

4.5 Installing option modules



- | | | | |
|---|--|---|--|
| ① | Module cover | ⑬ | Pneumatic block |
| ② | Fixing screws module cover | ⑭ | Warning label on the side opposite the nameplate |
| ③ | Fixing screws basic electronics | ⑮ | Screw cap |
| ④ | Ribbon cable/connector for fitted potentiometer or Position Transmitter | ⑯ | Feedback lever bracket with pin |
| ⑤ | Ribbon cable/connector for Digital I/O Module (DIO), Inductive Limit Switches (ILS) or Mechanic Limit Switches (MLS) | ⑰ | Pin (feedback lever bracket) |
| ⑥ | Ribbon cable/connector for Analog Output Module (AOM) | ⑱ | Adjustment wheel for external friction clutch |
| ⑦ | Basic electronics | ⑲ | Feedback shaft |
| ⑧ | Digital I/O Module (DIO) | ⑳ | Fixing screws adapter |
| ⑨ | Analog Output Module (AOM) | ㉑ | Safety catch |

- | | |
|-------------------------------|-------------|
| ⑩ Nameplate | ⑫ Clip |
| ⑪ Adapter | ⑬ Enclosure |
| ⑫ Transmission ratio selector | |

Figure 4-14 Installing the optional modules in the "flameproof enclosure" version

Procedure

1. Disconnect the power supply lines or de-energize the power supply lines.
2. Open the safety catch ⑪.
3. Unscrew the screw cap ⑫.
4. Completely dismount the positioner from the actuator.
5. Turn the feedback shaft ⑬ on the positioner until the pin (feedback lever bracket) ⑭ below the adapter ⑪ shows in the direction of removal. If you look into the enclosure below the adapter, you will see the position of the pin.
6. Screw out the four fixing screws ⑮ of the adapter ⑪.
7. Completely remove the adapter ⑪ carefully from the enclosure ⑬.
The positioner comes with a clip ⑫ and a pin (feedback lever bracket) ⑭ which interlock and ensure backlash-free position feedback. To ensure backlash-free position feedback make sure you remove the adapter ⑪ carefully.

NOTICE

Displaced O-rings

There are several O-rings between adapter ⑪ and enclosure ⑬. These O-rings may come off during removal.

- Carefully remove the adapter. Make sure the O-rings do not get lost during removal.

8. Loosen the two fixing screws ⑯ of the module cover ①.
9. Remove the module cover ①.

If you are installing an option module, proceed as described for the respective option module. Remove the basic electronics with an internal NCS module.

If you replace the basic electronics or a pneumatic block, proceed as described in the respective sections under "Service and maintenance (Page 197)".

See also

Internal NCS module (iNCS) 6DR4004-5L / -5LE (Page 68)

4.5.1.4 Closing the device version with "flameproof enclosure"

Procedure

1. Now start with the assembly. Place on the module cover ①. Make sure that the ribbon cable is not trapped.
2. Turn the fixing screws ② counterclockwise until they noticeably engage in the thread pitch. Carefully tighten both fixing screws ② in a clockwise direction.
The module cover protects and locks the optional modules mechanically.

Note

Untimely wear

The module cover is fastened using a **self-tapping** screw for the pneumatic block.

- In order to avoid premature wear of the pneumatic block, proceed as described here.
-

3. Check whether the position of the O-rings is correct before inserting the adapter into the enclosure.
 - With an enclosure made from aluminum, O rings are inside the enclosure and on the rear of the adapter.
 - With an enclosure made from stainless steel, O-rings are on the rear of the adapter.
4. Make sure no loose items in the enclosure interfere with the assembly.
5. Push the adapter ⑪ fully into the enclosure ⑲.
The positioner comes with a clip ⑫ and a pin (feedback lever bracket) ⑰ which interlock and ensure backlash-free position feedback. To ensure backlash-free position feedback, insert the adapter ⑪ carefully into the enclosure.
6. Screw in the four fixing screws ⑳ of the adapter ⑪. Tighten the screws.
Check carefully whether the feedback shaft ⑱ can be smoothly turned by 360°. If you feel resistance, do **not** continue to turn but turn the feedback shaft ⑱ back again to the point of removal.
7. Mount the positioner on the actuator.
8. Unscrew the screw cap ⑮.
9. Close the safety catch ⑳.
10. Connect the power supply lines or supply the power supply lines with voltage.

4.5.2 Digital I/O Module (DIO) 6DR4004-6A / -8A

Function

The Digital I/O Module (DIO) triggers fault messages and alarms via three digital outputs. The message function is based on the change in the signal status:

- With the "HIGH" state, there is no alarm message and the digital outputs are conductive.
- With the "LOW" state, the module reports an alarm with high-resistance shutdown of the digital outputs.
- Operational faults are signaled at a high-resistance digital output. Set the following parameters to activate and configure the output of alarms and fault messages:
 - "AFCT" - Alarm function
 - "A1" - Response threshold, alarm 1
 - "A2" - Response threshold, alarm 2
 - "FCT" - Function for fault message output
 - "TIM" - Monitoring time
 - "LIM" - Response threshold

The Digital I/O Module (DIO) also has a digital input DI2 in addition to the digital outputs. Depending on the selected parameters, this digital input is used, for example, to block the actuator or to move it to its end position. Configure the suitable settings on parameter "BIN2".

Device features

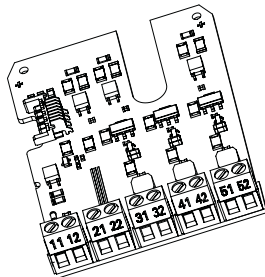


Figure 4-15 Digital I/O Module (DIO), schematic representation

The Digital I/O Module (DIO) has the following features:

- Available in two versions
 - Explosion-proof version for connecting to a switching amplifier in conformity with EN 60947-5-6
 - Non-explosion-proof version for connecting to power sources having a maximum of 35 V.
- 3 digital outputs. The digital outputs are galvanically isolated from the standard controller and from each other.
- The digital input DI2 has 2 inputs. Both inputs are implemented as logical OR combination.
 - Digital input DI1 on terminal 11/12: Is electrically isolated, and is triggered by an active signal.
 - Digital input DI2 on terminal 21/22: Is not electrically isolated, and is triggered by a passive NO contact.

Procedure

1. Open the positioner as in the description depending on the device version:
 - Opening the standard and intrinsically safe version (Page 52)
 - Opening the device version with "flameproof enclosure" (Page 55)
2. Slide the Digital I/O Module (DIO) into the adapter below the basic electronics. Ensure that you slide it up to the endstop.
3. Connect the Digital I/O Module (DIO) to the basic electronics. To do this, use the 8-pin flat ribbon cable provided.
4. Close the positioner as in the description depending on the device version:
 - Closing the standard and intrinsically safe version (Page 53)
 - Closing the device version with "flameproof enclosure" (Page 58)

4.5.3 Analog Output Module (AOM) 6DR4004-6J / -8J

Function

- The Analog Output Module (AOM) indicates the current position of the actuator as a two-wire signal between 4 mA and 20 mA. The Analog Output Module (AOM) is galvanically isolated from the basic unit.
- The current position is indicated as a passive mA signal only after successful initialization.
- Operational faults are signaled by a fault current of 3.6 mA.

Device features

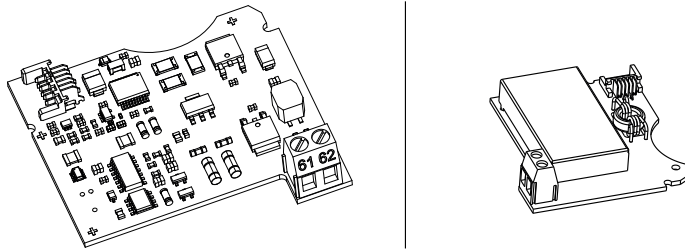


Figure 4-16 Analog Output Module (AOM) 6DR4004-6J (Ex) and 6DR4004-8J (non-Ex), schematic representation

The Analog Output Module (AOM) is:

- Single channel
- Galvanically isolated from the basic device

Requirement

A supply source corresponding to the technical specifications (Page 251) of the option module must be available.

Procedure

1. Open the positioner as in the description depending on the device version:
 - Opening the standard and intrinsically safe version (Page 52)
 - Opening the device version with "flameproof enclosure" (Page 55)
2. Slide the Analog Output Module (AOM) into the lower bay of the adapter as far as it will go.
3. Connect the Analog Output Module (AOM) to the basic electronics. To do this, use the 6-pin flat ribbon cable provided.
4. Close the positioner as in the description depending on the device version:
 - Closing the standard and and intrinsically safe version (Page 53)
 - Closing the device version with "flameproof enclosure" (Page 58)

4.5.4 Inductive Limit Switches (ILS) 6DR4004 6G / -8G

4.5.4.1 Inductive Limit Switches (ILS) - Mode of operation and equipment features

Function

If the basic unit requires electrically independent limit messages, the Inductive Limit Switches (ILS) with slotted initiators is used instead of the Digital I/O Module (DIO).

- A digital output is used to display a group fault message. Compare with the function of the Digital I/O Module (DIO). The floating digital output is implemented as an automatic fault indicating semiconductor output.
- The other two digital outputs are used to signal the two limits L1 and L2 which can be adjusted mechanically using slotted initiators. These two digital outputs are electrically independent from the remaining electronic unit.

Device features

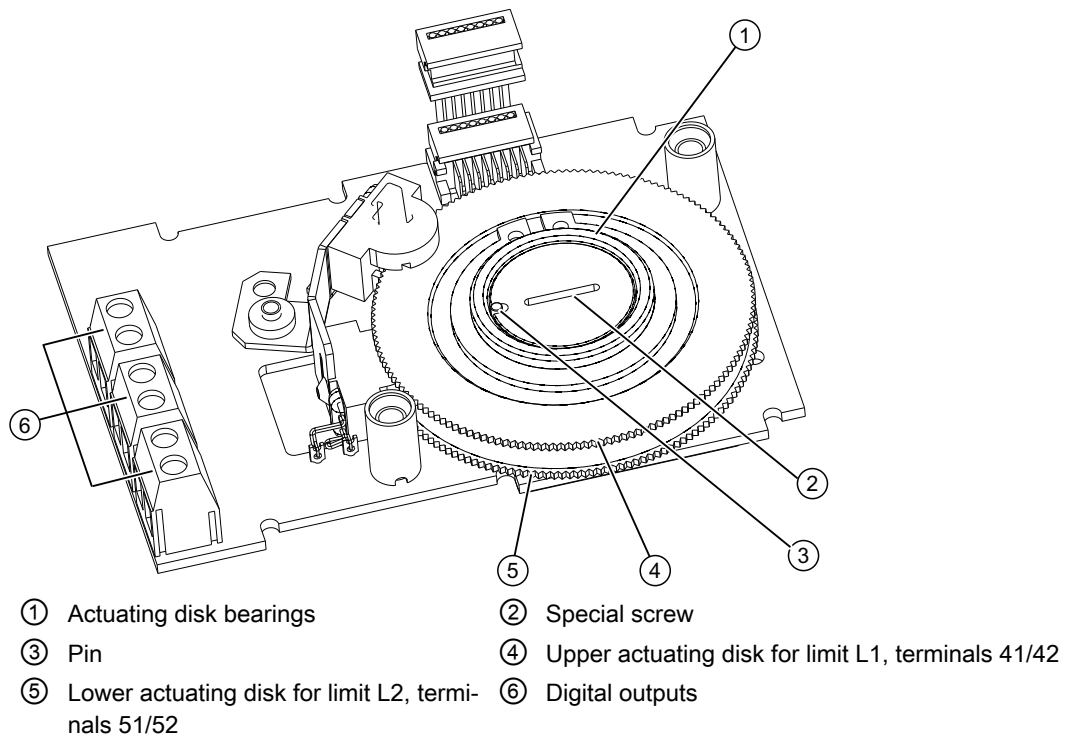


Figure 4-17 Inductive Limit Switches (ILS), schematic representation

The Inductive Limit Switches (ILS) have three digital outputs ⑥.

4.5.4.2 Installation procedure for Inductive Limit Switches (ILS)

Procedure

1. Open the positioner as described in Opening the standard and intrinsically safe version (Page 52).
2. Remove the ribbon cable from the basic electronics.
3. Tighten the two fixing screws of the basic electronics. Remove the basic electronics.
4. Insert the Inductive Limit Switches (ILS) from the top to the upper printed circuit board guide of the adapter.
5. Slide the Inductive Limit Switches (ILS) in the printed circuit board of the adapter approx. 3 mm to the right.
6. Screw the special screw ② through the Inductive Limit Switches (ILS) into the positioner shaft. Tighten the special screw ② with a **torque of 2 Nm**.

Note

Pin in the actuating disk bearing

A pin ③ is pressed in the actuating disk bearing ①.

1. Align pin ③ with the groove of the special screw before inserting the head of the special screw ② into the actuating disk bearing ①.
2. Rotate the actuating disk bearing ① and the special screw ② simultaneously so that the pin ③ is inserted into the groove of the special screw ②.

-
7. An insulating cover (yellow) is required over the Inductive Limit Switches (ILS). This insulating cover is supplied with the Inductive Limit Switches (ILS). Place the insulating cover on one side under the basic electronics seat of the rack. The recesses of the insulating cover must fit in the corresponding webs of the rack. To tighten the insulating cover, bend the walls of the adapter slightly outwards.
Firmly press the other end until the insulating cover is underneath the contact surface of the basic electronics. The recesses of the insulating cover must fit in the corresponding webs of the rack.
 8. Place the basic electronics onto the four holders of the adapter.
 9. Tighten the two fixing screws of the basic electronics. Tighten the screws.
 10. Reestablish all electrical connections between the basic electronics and the option modules.
 11. Connect the basic electronics with the option modules and the potentiometer. Use the corresponding ribbon cables.
 12. Put on the **supplied module cover**. Make sure that the ribbon cable is not trapped.

Note

Module cover

Do not use the standard module cover. The provided module cover has a larger recess.

13. Select the labels that are already available on the standard version of the module cover from the label set provided. Affix the selected labels onto the installed module cover as per the standard version.

4.5 Installing option modules

14. Close the positioner as described in Closing the standard and and intrinsically safe version (Page 53).
15. Set the limits L1 and L2 as described in Setting limits (Page 64).

4.5.4.3 Setting limits

Procedure: Determining the switch status of the slotted initiators

You will require a suitable display device to determine the switch status. For example, use the initiator tester type 2 / Ex from Pepperl + Fuchs.

1. Connect the display device to the following terminals of the Inductive Limit Switches (ILS):
 - 41 and 42
 - 51 and 52
2. Read the switch status of slotted initiators.

Procedure: Setting the limits L1 and L2

The consecutive numbers in the following text refer to the figure above in this section. Proceed as follows to set the limits:

1. Move the actuator to the first desired mechanical position.
2. Adjust the upper actuating disk ④ manually until the output signal at terminals 41 and 42 changes. Set a high-low or a low-high switchover as follows:
 - Rotate the actuating disc ④ beyond the switching point until you reach the next switching point.
3. Move the actuator to the second desired mechanical position.
4. Adjust the lower actuating disk ⑤ manually until the output signal at terminals 51 and 52 changes. Set a high-low or a low-high switchover as follows:
 - Rotate the actuating disc ⑤ beyond the switching point until you reach the next switching point.

Note

Adjusting the actuating disk

The actuating disks ④ and ⑤ are relatively difficult to move. This design prevents their unintentional movement during operation. You can achieve an easier and finer adjustment by reducing stiction temporarily.

- Move the actuator to and fro while simultaneously holding the actuating disks ④ and ⑤.
-

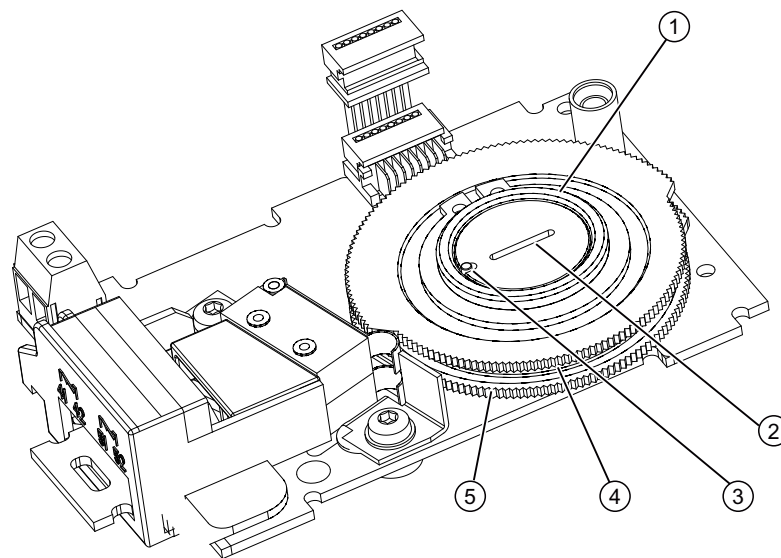
4.5.5 Mechanic Limit Switches (MLS) 6DR4004-6K / -8K

4.5.5.1 Mechanic Limit Switches (MLS) - Mode of operation and equipment features

Function

Mechanic Limit Switches (MLS) are used to report two limits. These limits are reported using galvanic switching contacts.

Device features



- | | |
|---------------------------|--|
| ① Actuating disk bearings | ④ Upper actuating disk for limit L1, terminals 51/52 |
| ② Special screw | ⑤ Lower actuating disk for limit L2, terminals 41/42 |
| ③ Pin | |

Figure 4-18 Mechanic Limit Switches (MLS), schematic representation

Mechanic Limit Switches (MLS) contain:

- One digital output to display a group fault message. Compare with the device features of the Mechanic Limit Switches (MLS).
- Two switches to report two mechanically adjustable limits. Both these switches are electrically independent from the remaining electronic unit.

4.5.5.2 Installation procedure for Mechanic Limit Switches (MLS)

Procedure

1. Open the positioner as described in Opening the standard and intrinsically safe version (Page 52).
 2. Remove the ribbon cable from the basic electronics.
 3. Tighten the two fixing screws of the basic electronics. Remove the basic electronics.
 4. Insert the Mechanic Limit Switches (MLS) from the top to the upper printed circuit board guide of the adapter.
 5. Slide the Mechanic Limit Switches (MLS) in the printed circuit board of the adapter approx. 3 mm to the right.
 6. Screw the special screw ② through the Mechanic Limit Switches (MLS) into the positioner shaft. Tighten the special screw ② with a **torque of 2 Nm**.
-

Note

Pin in the actuating disk bearing

A pin ③ is pressed in the actuating disk bearing ①.

1. Align pin ③ with the groove of the special screw before inserting the head of the special screw ② into the actuating disk bearing ①.
 2. Rotate the actuating disk bearing ① and the special screw ② simultaneously so that the pin ③ is inserted into the groove of the special screw ②.
-

7. An insulating cover (yellow) is required over the Mechanic Limit Switches (MLS). This insulating cover is supplied with the Mechanic Limit Switches (MLS). Place the insulating cover on one side under the basic electronics seat of the rack. The recesses of the insulating cover must fit in the corresponding webs of the rack. To tighten the insulating cover, bend the walls of the adapter slightly outwards.
Firmly press the other end until the insulating cover is underneath the contact surface of the basic electronics. The recesses of the insulating cover must fit in the corresponding webs of the rack.
 8. Place the basic electronics onto the four holders of the rack.
 9. Tighten the two fixing screws of the basic electronics. Tighten the screws.
 10. Reestablish all electrical connections between the basic electronics and the option modules.
 11. Connect the basic electronics with the option modules and the potentiometer. Use the corresponding ribbon cables.
 12. Put on the **supplied module cover**. Make sure that the ribbon cable is not trapped.
-

Note

Module cover

Do **not** use the standard module cover. The provided module cover has a larger recess.

13. Close the positioner as described in Closing the standard and and intrinsically safe version (Page 53).
14. Set the limits L1 and L2 as described in Setting limits (Page 67).

4.5.5.3 Setting limits

Procedure: Setting the limits L1 and L2

1. Move the actuator to the first desired mechanical position.
2. Adjust the upper actuating disk ④ manually until the output signal at terminals 51 and 52 changes. Set a high-low or a low-high switchover as follows:
 - Rotate the actuating disc beyond the switching point until you reach the next switching point.
3. Move the actuator to the second desired mechanical position.
4. Adjust the lower actuating disk ⑤ manually until the output signal at terminals 41 and 42 changes. Set a high-low or a low-high switchover as follows:
 - Rotate the actuating disc beyond the switching point until you reach the next switching point.

Note

Adjusting the actuating disk

The actuating disks ④ and ⑤ are relatively difficult to move. This design prevents their unintentional movement during operation. You can achieve an easier and finer adjustment by reducing stiction temporarily.

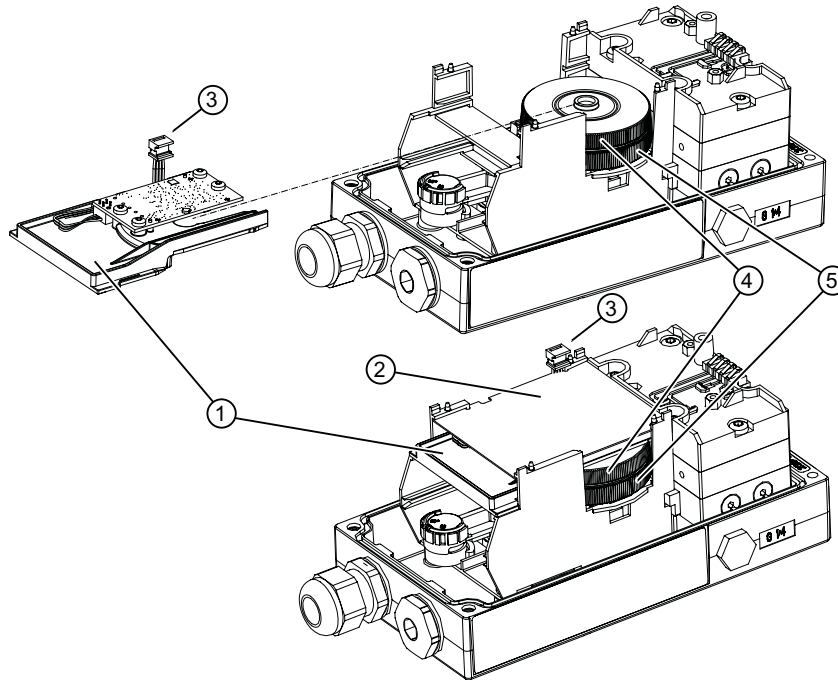
- Move the actuator to and fro while simultaneously holding the actuating disks ④ and ⑤.
-

4.5.6 Internal NCS module (iNCS) 6DR4004-5L / -5LE

Function

Wear-free, non-contacting position detection

Device features



- ① Internal NCS module 6DR4004-5L.
- ② Insulating cover, yellow
- ③ Ribbon cable of the internal NCS module
- ④ Adjustment wheel for the magnet clamp
- ⑤ Adjustment wheel for the friction clutch (without function)

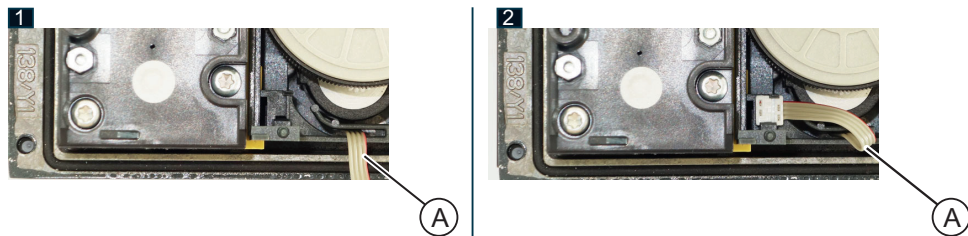
Figure 4-19 Installing the internal NCS module, schematic diagram

Requirement

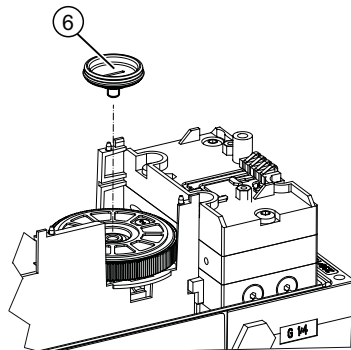
- The slot required for the internal NCS (iNCS) module in the rack is free. The following option modules use the same slot in the rack:
 - Digital I/O Module (DIO)
 - Inductive Limit Switches (ILS)
 - Mechanic Limit Switches (MLS)
 - Internal NCS module
- The positioner is mounted, or is to be mounted, directly on the valve using the positioner shaft.

Procedure

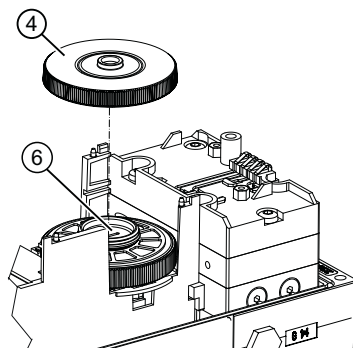
1. Open the positioner as in the description depending on the device version:
 - Opening the standard and intrinsically safe version (Page 52)
 - Opening the device version with "flameproof enclosure" (Page 55)
2. Remove the ribbon cable from the basic electronics.
3. Tighten the two fixing screws of the basic electronics.
4. Remove the basic electronics.
5. Insert the connector of the ribbon cable (A) into the slot as shown below.
Note: There is no space for the ribbon cable (A) in earlier versions of the positioner. Here you fasten the ribbon cable to the container using a cable tie.



6. Screw the special screw ⑥ into the shaft of the positioner.
7. Tighten the special screw with a **torque of 2 Nm**.



8. Press the adjustment wheel of the magnet clamp ④ firmly onto the special screw ⑥ of the friction clutch until you clearly hear it click into place.



Installing the internal NCS module

1. Position the ribbon cable ③ of the internal NCS module ① on the top before you slide the internal NCS module into the rack.
2. Slide the internal NCS module ① under the basic electronics into the rack until you hear it click into place.
3. An insulating cover (yellow) is required over the module. This insulating cover is supplied with the module. Place the insulating cover ② on one side under the basic electronics seat of the rack. The recesses of the insulating cover must fit in the corresponding webs of the rack.
4. To tighten the insulating cover, bend the walls of the adapter slightly outwards.
5. Firmly press the other end until the insulating cover is underneath the contact surface of the basic electronics. The recesses of the insulating cover must fit in the corresponding webs of the rack.

Installing the basic electronics and closing the positioner

1. Place the basic electronics onto the four holders of the rack.
2. Tighten the two fixing screws of the basic electronics.
3. Tighten the screws.
4. Insert the ribbon cable connector of the internal NCS module ① onto the positioner basic electronics.
Note for built-in Analog Output Module (AOM): Reestablish all electrical connections between the basic electronics and the option module.
5. Put on the **supplied module cover**. Make sure that the ribbon cable is not trapped.

Note

Module cover

Do **not** use the standard module cover. The provided module cover has a larger recess.

6. Close the positioner as in the description depending on the device version:
 - Closing the standard and intrinsically safe version (Page 53)
 - Closing the device version with "flameproof enclosure" (Page 58)

Result

The module is installed and connected to the basic electronics of the positioner. Now configure the module with the parameter "1.YFCT (Page 143)".

4.5.7 Analog Input Module (AIM) 6DR4004-6F / -8F

Function

If you use a Position Transmitter on the positioner, you will need the Analog Input Module (AIM). The Analog Input Module (AIM) forms the interface between Position Transmitter and the basic electronics of the positioner.

Device features

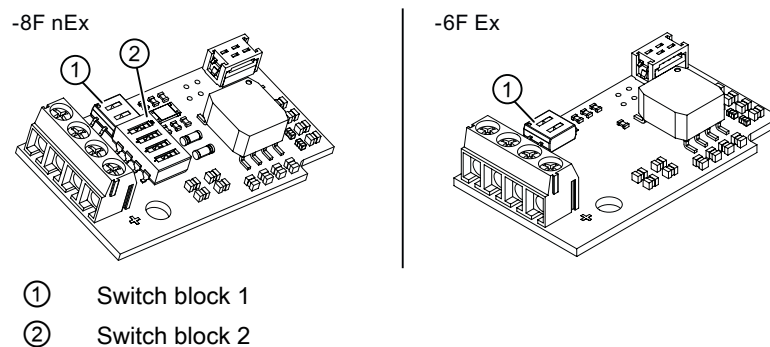


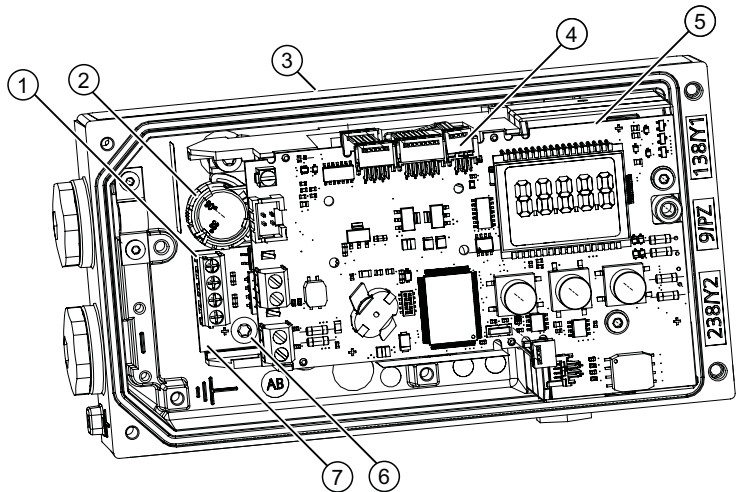
Figure 4-20 Analog Input Module (AIM), schematic representation

- Connection to basic electronics
- Connection terminals for:
 - Position Transmitter (Potentiometer) with 3 k Ω , 5 k Ω or 10 to 20 k Ω
 - Signals 0 to 20 mA
 - Signals 0 to 10 V

Requirement

- You have at least one of the following modules:
 - 6DR4004-8F Analog Input Module (AIM) - nEx
 - 6DR4004-6F Analog Input Module (AIM) - Ex
- You have opened one of the following Position Transmitters:
 - 6DR4004-6N*/-8N* NCS sensor
 - 6DR4004-1ES Position Transmitter (Potentiometer)
 - 6DR4004-2ES Position Transmitter (NCS)
 - 6DR4004-3ES Position Transmitter (NCS, ILS)
 - 6DR4004-4ES Position Transmitter (NCS, MLS)

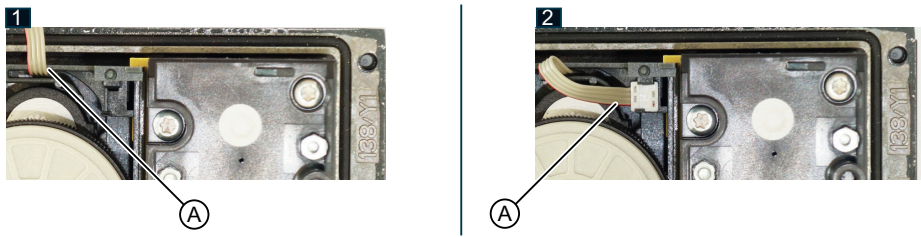
Procedure



- ① Terminals of the Analog Input Module (AIM)
- ② Yellow wheel for locking the position detection
- ③ Positioner
- ④ Ribbon cable connector of fitted potentiometer or ribbon cable connector of Analog Input Module (AIM)
- ⑤ Basic electronics
- ⑥ Screw
- ⑦ Analog Input Module (AIM) 6DR4004-6F/-8F

Figure 4-21 Installation of Analog Input Module (AIM)

1. Open the positioner as described in Opening the standard and intrinsically safe version (Page 52).
2. Remove the ribbon cable from the basic electronics.
3. Loosen the two fixing screws of the basic electronics ⑤.
4. Remove the basic electronics.
5. Loosen the screw ⑥ in the connection area of the positioner.
6. Insert the connector of the ribbon cable (A) into the slot as shown below.
 Note: There is no space for the ribbon cable (A) in earlier versions of the positioner. Here you fasten the ribbon cable with the supplied cable tie at the container.





7. Secure the Analog Input Module (AIM) using the screw ⑥.
8. Place the basic electronics ⑤ onto the four holders of the adapter.
9. Screw in the two fixing screws of the basic electronics ⑤.
10. Tighten the screws.


11. Insert the ribbon cable connector ④ of the Analog Input Module (AIM) onto the basic electronics of the positioner.
12. Establish all electrical connections between the basic electronics and the option modules.
13. Close the positioner as described in Closing the standard and and intrinsically safe version (Page 53).

Connection


5.1 Basic safety instructions


 WARNING
Lever for position detection Danger of crushing and shearing with mounting kits which use a lever for position detection. During commissioning and ongoing operation, severing or squeezing of limbs could occur as a result of the lever. Risk of injury when working on control valves due to the high operating force of the pneumatic actuator. <ul style="list-style-type: none">• Do not reach into the range of motion of the lever following mounting of the positioner and mounting kit.


 WARNING
With intrinsically device version (Ex i) Risk of explosion in hazardous areas. For intrinsically safe device versions only the certified circuits may be connected as auxiliary power supply, control and signal circuits. <ul style="list-style-type: none">• Make sure that the power source of the used circuits is marked as intrinsically safe.


 WARNING
Unsuitable cables, cable glands and/or plugs Risk of explosion in hazardous areas. <ul style="list-style-type: none">• Use only cable glands/plugs that comply with the requirements for the relevant type of protection.• Tighten the cable glands in accordance with the torques specified in Technical data (Page 239).• Close unused cable inlets for the electrical connections.• When replacing cable glands, only use cable glands of the same type.• After installation, check that the cables are seated firmly.

NOTICE
Ambient temperature too high
Damage to cable sheath.
<ul style="list-style-type: none">• At an ambient temperature ≥ 60 °C (140 °F), use heat-resistant cables suitable for an ambient temperature at least 20 °C (36 °F) higher.

 WARNING
Improper power supply
Risk of explosion in hazardous areas as result of incorrect power supply.
<ul style="list-style-type: none">• Connect the device in accordance with the specified power supply and signal circuits. The relevant specifications can be found in the certificates, in Technical data (Page 239) or on the nameplate.

 WARNING
Lack of equipotential bonding
Risk of explosion through compensating currents or ignition currents through lack of equipotential bonding.
<ul style="list-style-type: none">• Ensure that the device is potentially equalized.
Exception: It may be permissible to omit connection of the equipotential bonding for devices with type of protection "Intrinsic safety Ex i".

 WARNING
Unprotected cable ends
Risk of explosion through unprotected cable ends in hazardous areas.
<ul style="list-style-type: none">• Protect unused cable ends in accordance with IEC/EN 60079-14.

 WARNING
Improper laying of shielded cables
Risk of explosion through compensating currents between hazardous area and the non-hazardous area.
<ul style="list-style-type: none">• Shielded cables that cross into hazardous areas should be grounded only at one end.• If grounding is required at both ends, use an equipotential bonding conductor.

 **WARNING****Connecting device in energized state**

Risk of explosion in hazardous areas.

- Connect devices in hazardous areas only in a de-energized state.

Exceptions:

- Devices having the type of protection "Intrinsic safety Ex i" may also be connected in energized state in hazardous areas.
- Exceptions for type of protection "Increased safety ec" (Zone 2) are regulated in the relevant certificate.

 **WARNING****Incorrect selection of type of protection**

Risk of explosion in areas subject to explosion hazard.

This device is approved for several types of protection.

1. Decide in favor of one type of protection.
2. Connect the device in accordance with the selected type of protection.
3. In order to avoid incorrect use at a later point, make the types of protection that are not used permanently unrecognizable on the nameplate.

NOTICE**Standard cable gland/torque**

Device damage.

- Owing the reasons pertaining to tightness (IP enclosure rating) and the required tensile strength, only use the cables having a diameter ≥ 8 mm for standard M20x1.5 cable gland, or use a suitable seal insert in case of smaller diameters.
- In the NPT version, the positioner is delivered with a coupling. When inserting a counter piece in the coupling, ensure that the maximum permissible torque of 10 Nm is not exceeded.

 **CAUTION****Maximum AC/DC switching voltage with UL approval E344532**

Mechanic Limit Switches (MLS) 6DR4004-6K/-8K are approved for use with positioners with UL approval. The maximum switching voltage in this case is ≤ 30 V AC/DC.

If switching voltages greater than 30 V are connected, the UL approval for the positioner becomes invalid.

NOTICE
Condensation in the device
Damage to device through formation of condensation if the temperature difference between transportation or storage and the mounting location exceeds 20 °C (36 °F).
<ul style="list-style-type: none">• Before taking the device into operation, let the device adapt for several hours in the new environment.

Two-wire mode

NOTICE
Connection of voltage source to current input
Device damage if a voltage source is connected to the current input I_w (terminals 6 and 7).
<ul style="list-style-type: none">• Never connect the current input I_w to a low-resistance voltage source, otherwise the positioner may be destroyed.• Always use a high-impedance power source.• Observe the static destruction limit specified in the "Electrical data (Page 246)".

Note

Improvement of interference immunity

- Lay signal cables separate from cables with voltages > 60 V.
 - Use cables with twisted wires.
 - Keep device and cables at a distance from strong electromagnetic fields.
 - Take account of the conditions for communication specified in the Electrical data (Page 246).
 - Use shielded cables to guarantee the full specification according to HART/PA/FF/Modbus/EIA-485/Profibus DP.
-

Electromagnetic compatibility

The polycarbonate enclosure is metalized from inside to increase the electromagnetic compatibility (EMC) with respect to high-frequency radiation. The shield is connected to the threaded bush shown in the following picture such that it is electrically conductive.

Note that this protection is effective only if you connect at least one of these bushes to the earthed control valves through electrically conductive (bare) attachments.

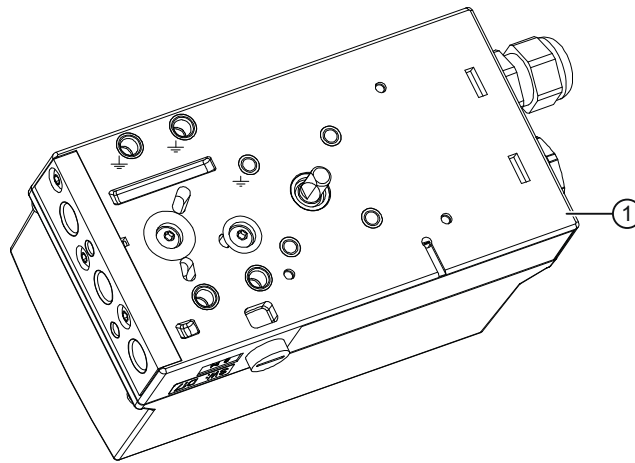
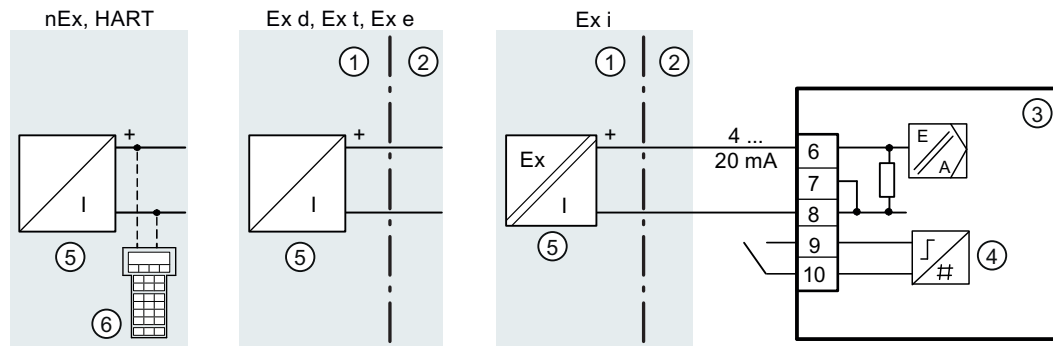


Figure 5-1 Base plate ①

5.2 Electrical wiring

5.2.1 Connection diagram for basic electronics



- ① Non-hazardous area
- ② Hazardous area
- ③ Basic electronics
- ④ Digital input DI1
- ⑤ Signal source
- ⑥ HART communicator

nEx = Non-explosion-proof device version

Figure 5-2 Device version 2-wire

5.2 Electrical wiring

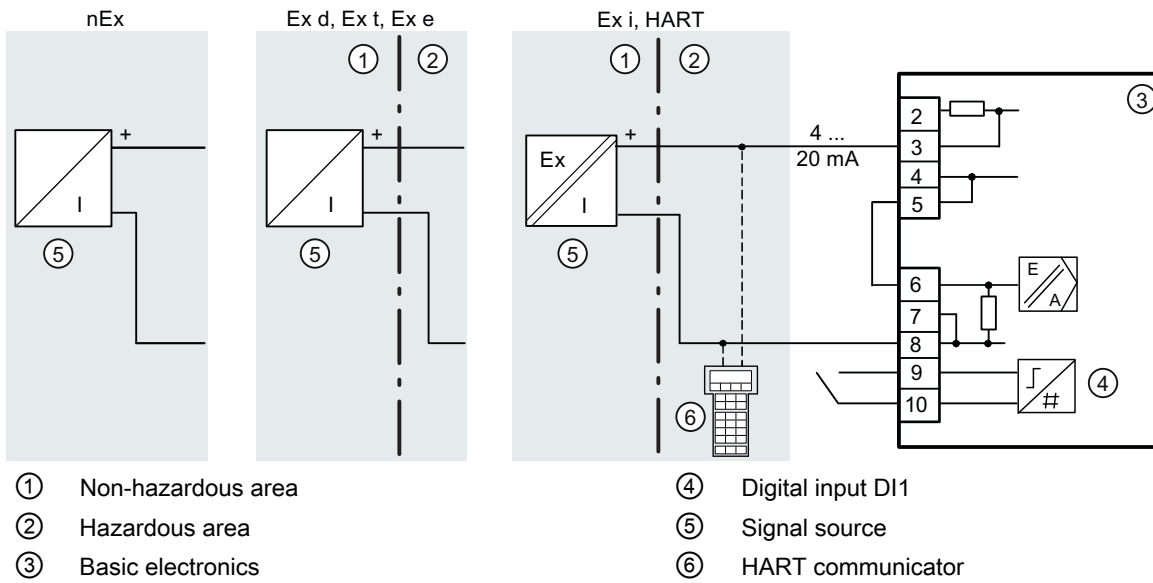


Figure 5-3 Device version 2-/3-/4-wire, with wiring configuration 2-wire

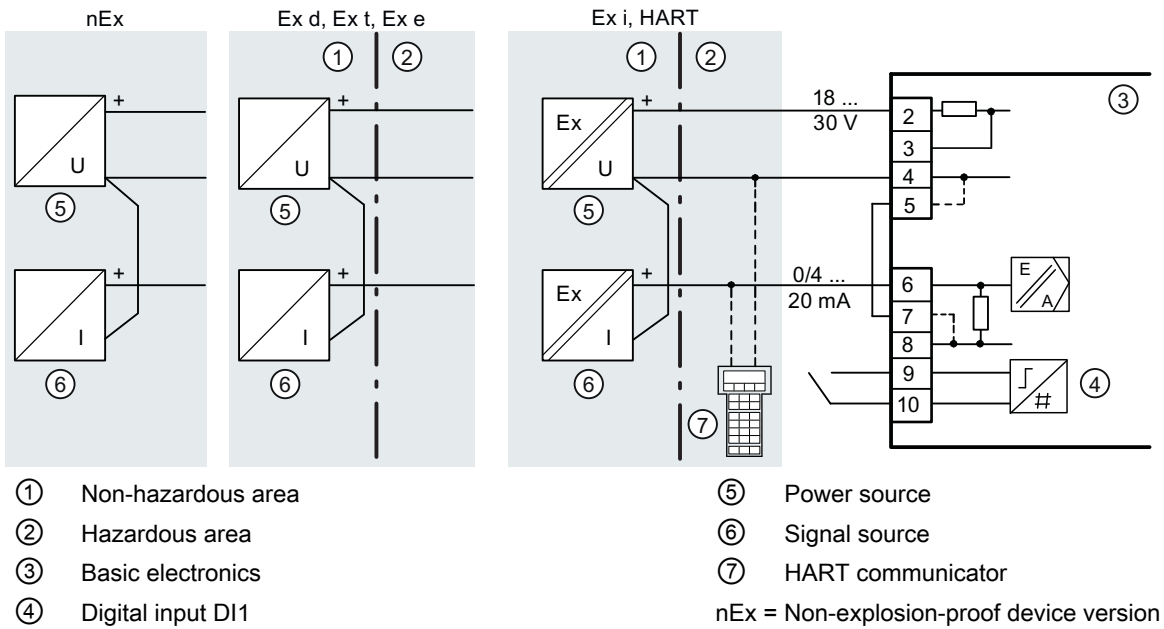


Figure 5-4 Device version 2-/3-/4-wire, with connection type 3-wire

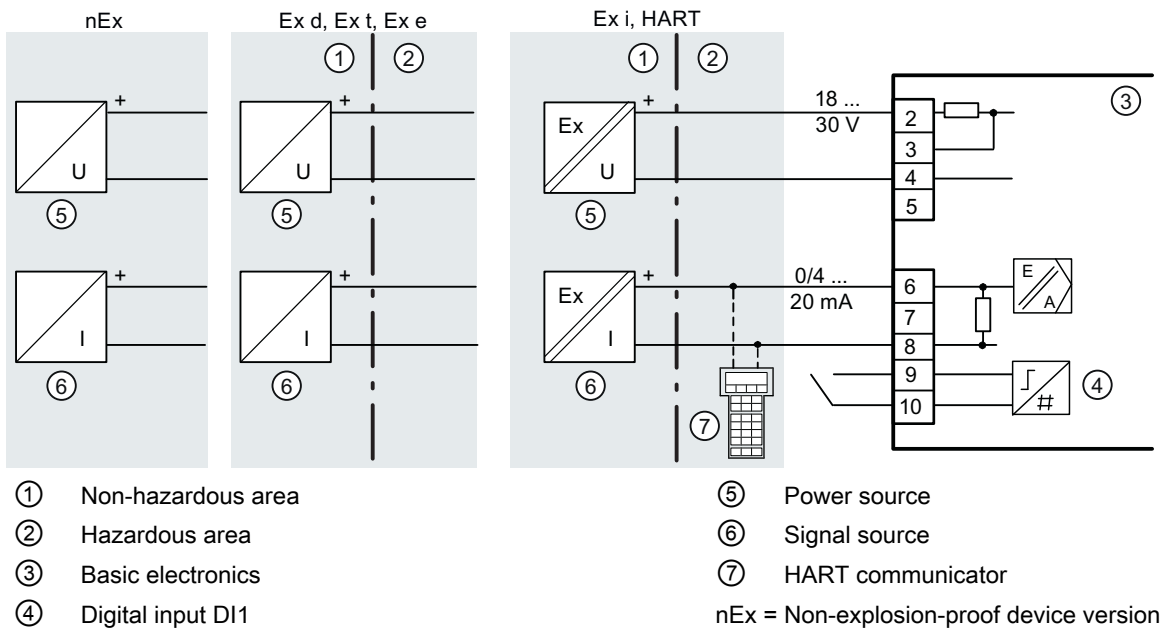
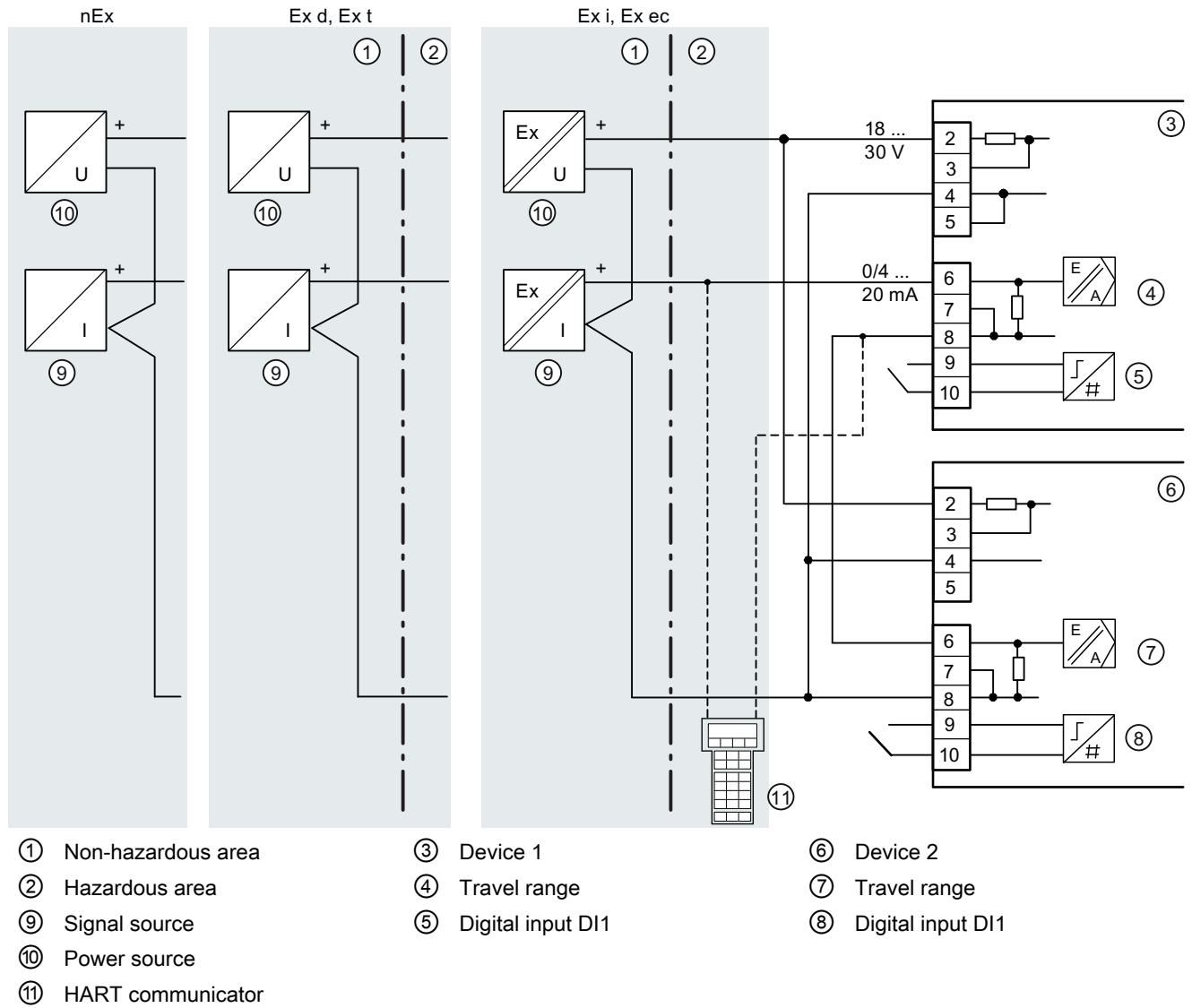


Figure 5-5 Device version 2-/3-/4-wire, with connection type 4-wire

5.2.2 Connection diagram split range

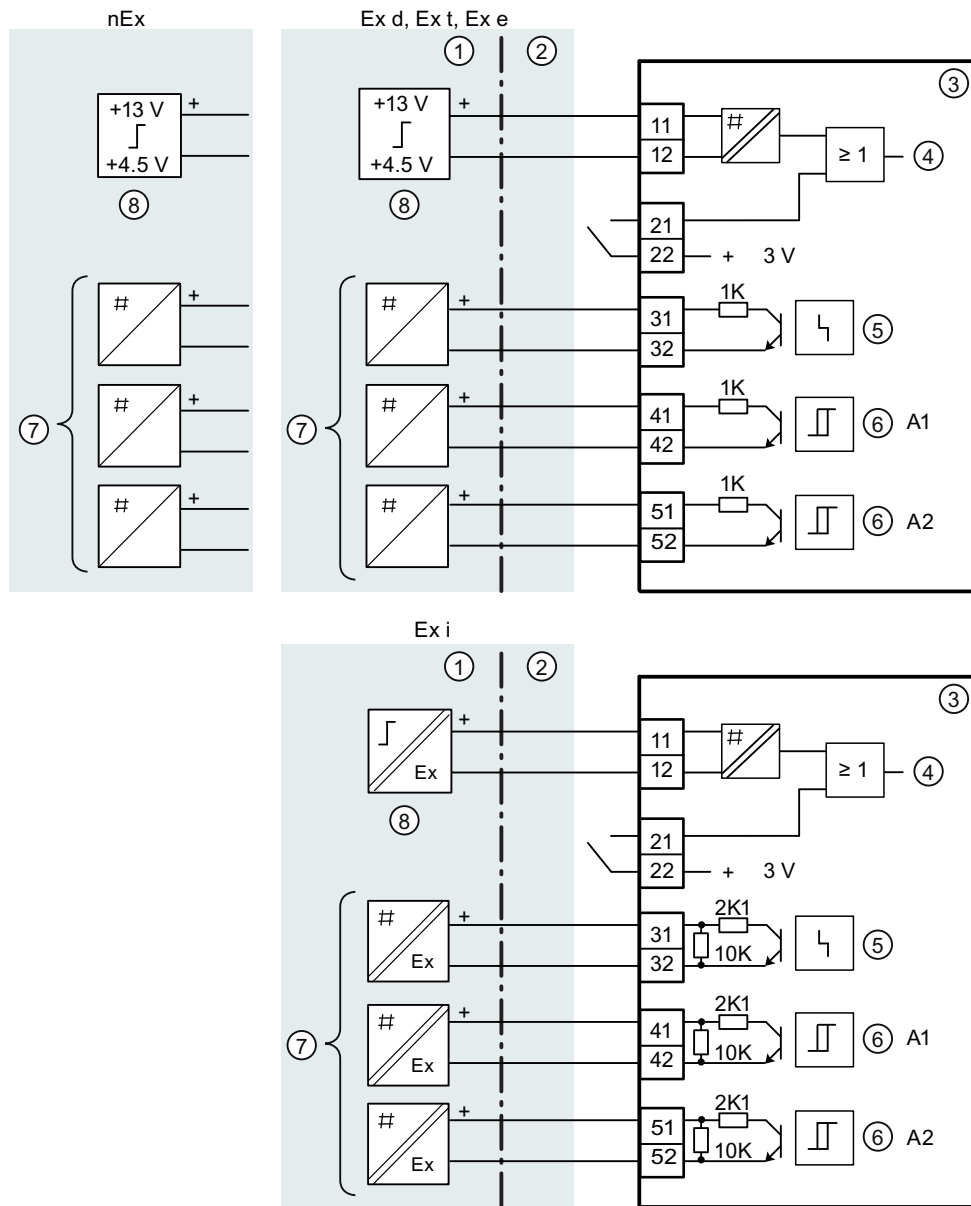


nEx = Non-explosion-proof device version

Figure 5-6 Series connection of 2 positioners, e.g. split range

5.2.3 Option modules

5.2.3.1 Digital I/O Module (DIO) 6DR4004-6A / -8A

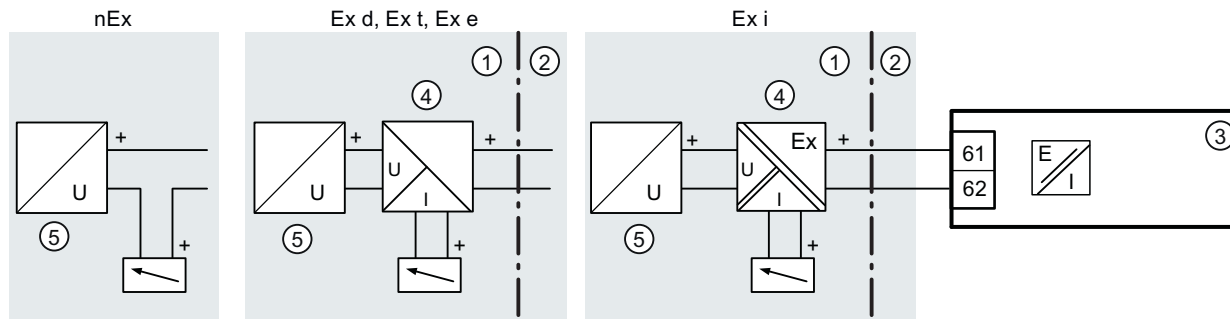


- ① Non-hazardous area
- ② Hazardous area
- ③ Digital I/O Module (DIO)
- ④ Digital input DI2
- ⑤ Fault message
- ⑥ Limit
- ⑦ Switching amplifier
- ⑧ Switching output

nEx = Non-explosion-proof device version

Figure 5-7 Digital I/O Module (DIO)

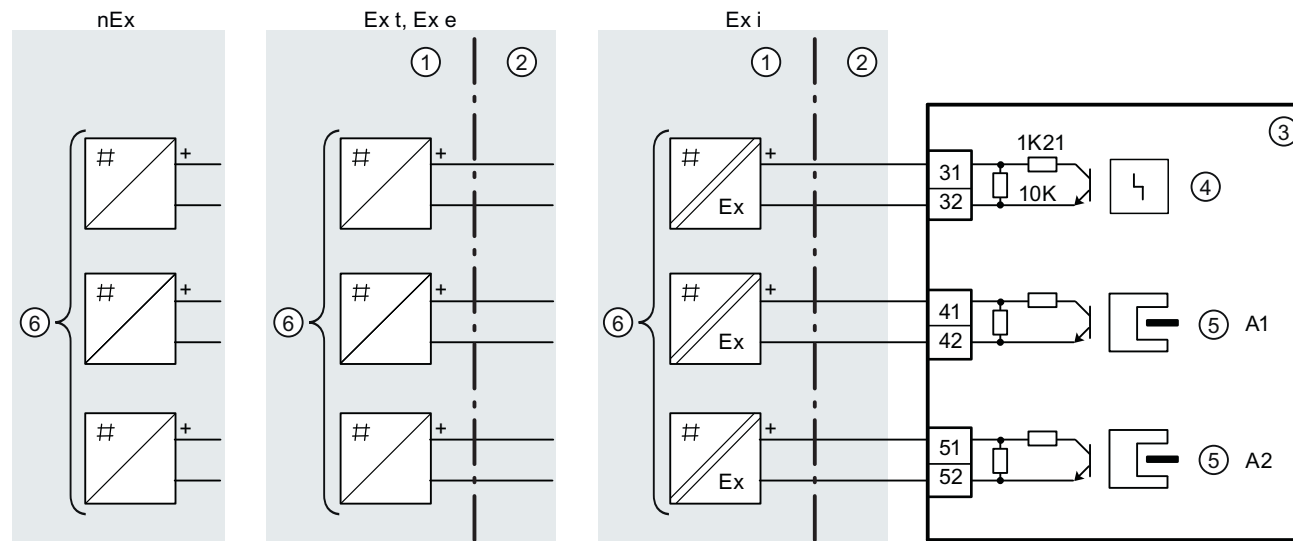
5.2.3.2 Analog Output Module (AOM) 6DR4004-6J / -8J



- ① Non-hazardous area
 - ② Hazardous area
 - ③ Analog Output Module (AOM)
 - ④ Feed splitter
 - ⑤ Power source
- nEx = Non-explosion-proof device version

Figure 5-8 Analog Output Module (AOM)

5.2.3.3 Inductive Limit Switches (ILS) 6DR4004-6G / -8G



- ① Non-hazardous area
- ② Hazardous area
- ③ Inductive Limit Switches (ILS)
- ④ Fault message
- ⑤ Limit
- ⑥ Switching amplifier

nEx = Non-explosion-proof device version

Figure 5-9 Inductive Limit Switches (ILS)

5.2.3.4 Mechanical Limit Switches (MLS) 6DR4004-6K / -8K

! DANGER

Supply with hazardous voltage

If you connect the switching contacts of the 6DR4004-8K module to a hazardous voltage, observe the following safety rules:

1. Isolate the device from power. Use a circuit breaker positioned near the device to do this.
2. Make sure that the device cannot be switched back on inadvertently.
3. Make sure the device is truly isolated from power.

! CAUTION

Maximum AC/DC switching voltage with UL approval E344532

Mechanic Limit Switches (MLS) 6DR4004-6K/-8K are approved for use with positioners with UL approval. The maximum switching voltage in this case is ≤ 30 V AC/DC.

If switching voltages greater than 30 V are connected, the UL approval for the positioner becomes invalid.

Connection diagram Mechanic Limit Switches (MLS) 6DR4004-6K and -8K

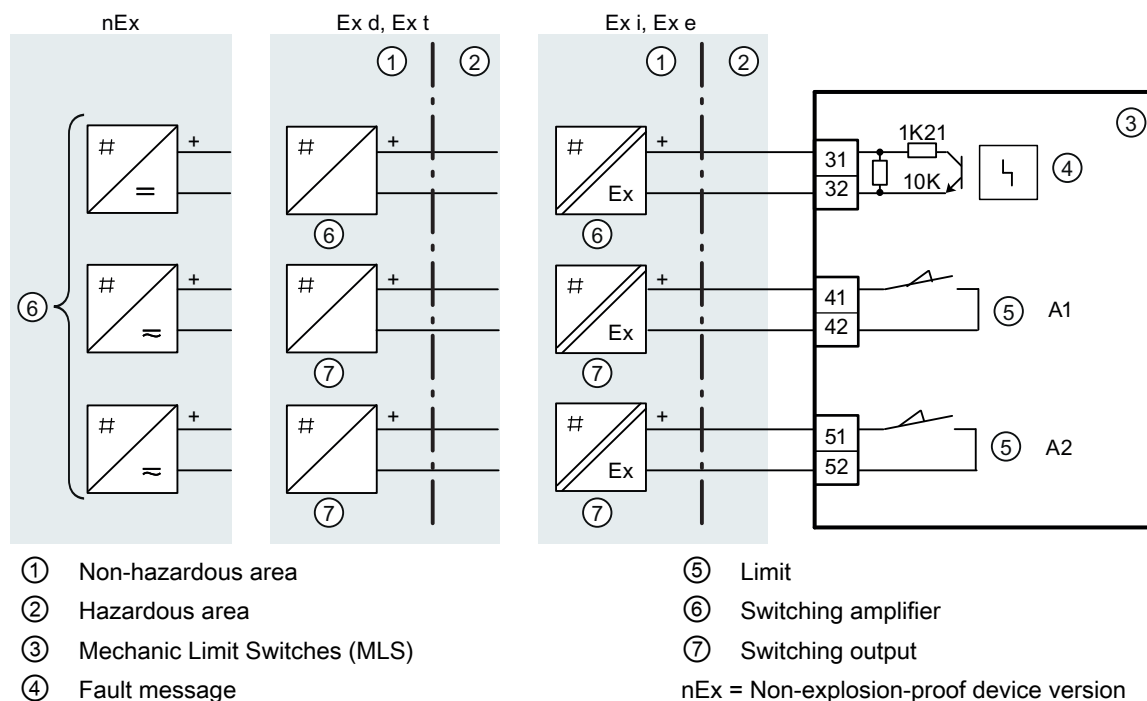
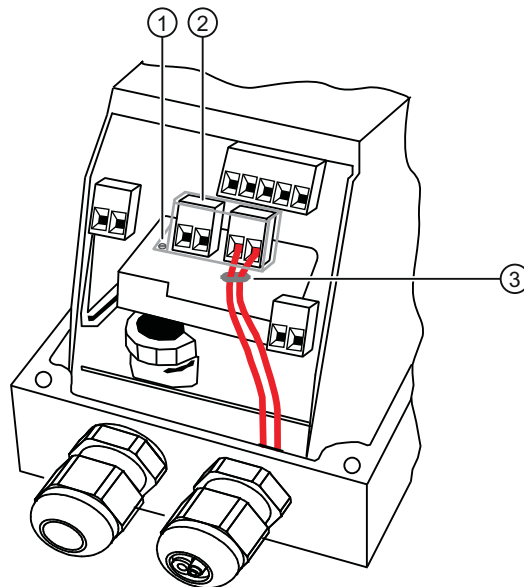


Figure 5-10 Mechanic Limit Switches (MLS)

Procedure

1. Loosen the screw ① on the transparent cover ②.
2. Pull the transparent cover ② up to the front end stop.
3. Tighten every cable in the corresponding terminal.
4. Slide the transparent cover ② up to the end stop of the basic electronics.
5. Tighten the screw ① of the transparent cover ②.
6. Connect the cables of each switch to the lug of the printed circuit board in pairs. Use the provided cable ties ③ for this purpose.



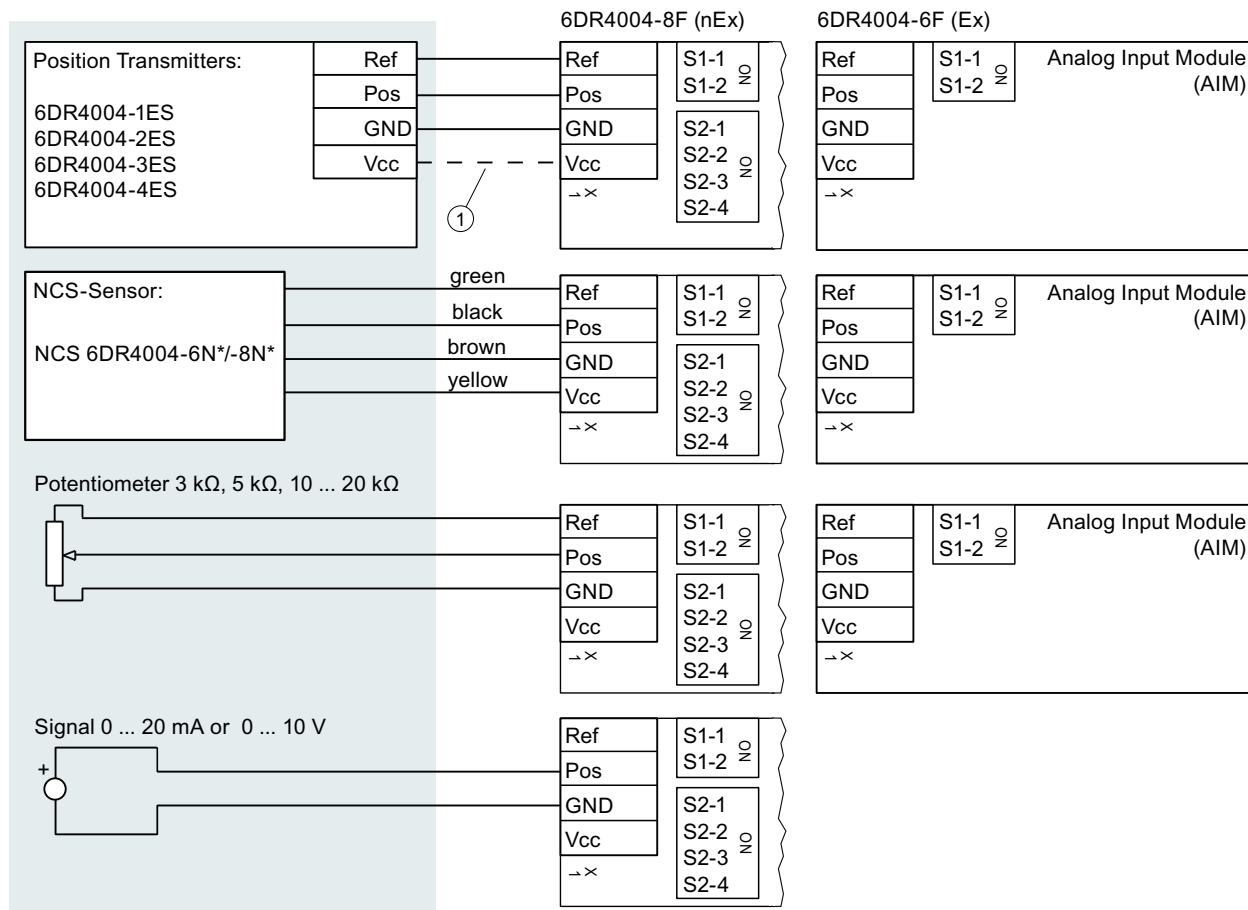
- ① Screw
- ② Cover
- ③ Cable tie

Figure 5-11 Connecting the cables

5.2.3.5 Analog Input Module (AIM) 6DR4004-6F / -8F

Procedure

1. Connect the external position detection as follows.



- ① Connection of terminal Vcc is only needed for 6DR4004-2ES, -3ES and -4ES.

2. If potentiometers or external signal sources are used, configure the switch blocks in accordance with the following table:

Measuring range	Switch block 1		Switch block 2			
	S1-1	S1-2	S2-1	S2-2	S2-3	S2-4
6DR4004-.N/P/R (NCS)	ON	OFF	ON	OFF	OFF	OFF
6DR4004-1ES/-2ES/-3ES/-4ES	ON	OFF	ON	OFF	OFF	OFF
10 ... 20 kΩ	ON	OFF	ON	OFF	OFF	OFF
5 kΩ	OFF	ON	ON	OFF	OFF	OFF
3 kΩ	OFF	OFF	ON	OFF	OFF	OFF
20 mA	OFF	OFF	ON	OFF	ON	OFF
10 V	OFF	OFF	OFF	ON	OFF	OFF

See also

'1.YFCT' type of actuator (Page 143)

5.2.4 Optional version M12 device plug

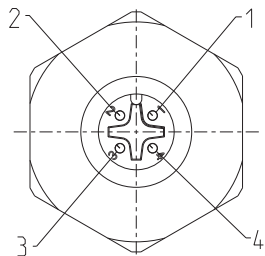
This section describes which terminal of the devices and option modules listed below is connected with the respective pole of the M12 connector.

Note

Technical specifications

Observe the specifications for the electrical data in the certificate and/or in section "Technical data (Page 239)".

View of the mating side pole pattern



Pole designation	Wire color of M12 basic connector socket
1	Brown
4	Black
3	Blue
2	White

5.2.4.1 In the basic unit

You have a positioner 6DR50/1..-0.R.. or 6DR50/1..-0.S. In this version of the positioner, the current input I_w 4 to 20 mA of the basic electronics is connected via the M12 connector.

Table 5-1 Assignment diagram

Current input terminal	Pole designation
6 (+)	1 - Brown
Shield support of enclosure	4 - Black
7 and 8 (-)	3 - Blue

5.2.4.2 In the basic unit with Analog Output Module (AOM) 6DR4004-6J/-8J (-Z D53)

You have a positioner with order suffix -Z order code D53. In this version of the positioner, the current output of Analog Output Module (AOM) is electrically connected to the M12 connector.

Table 5-2 Assignment diagram

Current output terminal	Pole designation
61 (+)	1 - Brown
Shield support of enclosure	4 - Black
62 (-)	3 - Blue

5.2.4.3 In the basic unit with Position Transmitter (-Z D54)

You have a positioner with order suffix -Z order code D54. In this version of the positioner, the installed Analog Input Module (AIM) 6DR4004-6F/-8F is electrically connected to the M12 connector. You connect the Position Transmitter 6DR4004-1ES/-2ES using the M12 connector.

Table 5-3 Assignment diagram

Terminal	Pole designation
REF	2 - White
POS	3 - Blue
GND	4 - Black
VCC	1 - Brown

5.2.4.4 In the basic unit with Digital I/O Module (DIO) 6DR4004-6A/-8A (-Z D55)

You have a positioner with order suffix -Z order code D55. In this version of the positioner, the current output of Digital I/O Module (DIO) is electrically connected to the M12 connector.

Table 5-4 Assignment diagram

Terminal of digital outputs A1 and A2	Pole designation
41 (+)	1 - Brown
52 (-)	4 - Black
42 (-)	3 - Blue
51 (+)	2 - White

5.3 Pneumatic connection

5.2.4.5 In the basic unit with Inductive Limit Switches (ILS) 6DR4004-6G/-8G (-Z D56)

You have a positioner with order suffix -Z order code D56. In this version of the positioner, the digital outputs A1 and A2 of the Inductive Limit Switches (ILS) are electrically connected to the M12 device plug.

Table 5-5 Assignment diagram

Terminal of digital outputs A1 and A2	Pole designation
41 (+)	1 - Brown
52 (-)	4 - Black
42 (-)	3 - Blue
51 (+)	2 - White

5.2.4.6 In the basic unit with Mechanic Limit Switches (MLS) 6DR4004-6K (-Z D57)


You have a positioner with order suffix -Z order code D57. In this version of the positioner, the digital outputs A1 and A2 of the Mechanic Limit Switches (MLS) are electrically connected to the M12 connector.

Table 5-6 Assignment diagram

Terminal of digital outputs A1 and A2	Pole designation
41 (+)	1 - Brown
52 (-)	4 - Black
42 (-)	3 - Blue
51 (+)	2 - White

5.3 Pneumatic connection

5.3.1 Basic safety instructions for the pneumatic connection

<p> WARNING</p> <p>Supply pressure PZ</p> <p>For safety reasons, the supply pressure PZ can be fed after installation only if the positioner is switched to "P-Manual mode" when an electrical signal is present. This operating mode is preset in the delivery state.</p>

Note

Specifications regarding air quality

Observe the specifications regarding the air quality in section "Technical specifications > Pneumatic data (Page 239)".

Note**Leakage**

Besides continuous air consumption, a leakage can cause the positioner to try to compensate the position deviation. This will result in premature wear in the entire control device.

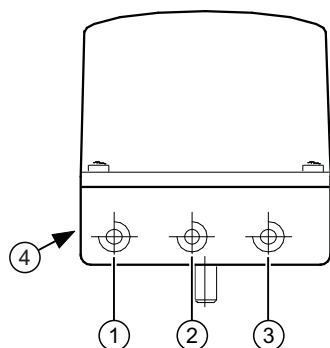
- Check offline for leakage using the "11.LEAK" diagnostic parameter.
- If there is leakage, check the pneumatic connections for leaks.

See also

Behavior in case of failure of the electrical auxiliary power and/or the supply pressure PZ (Page 93)

Changing the operating mode (Page 98)

Diagnostic value '11.LEAK - Leakage test' (Page 217)

5.3.2 Pneumatic connection in non-flameproof enclosure**5.3.2.1 Structure of pneumatic connection**

- ① Output: Actuating pressure Y2 *)
- ② Input: Supply pressure PZ
- ③ Output: Actuating pressure Y1
- ④ Exhaust air outlet with sound absorber, thread G $\frac{1}{4}$

*) for double-acting actuators

Figure 5-12 Pneumatic connection, example

5.3.2.2 Integrated pneumatic connection

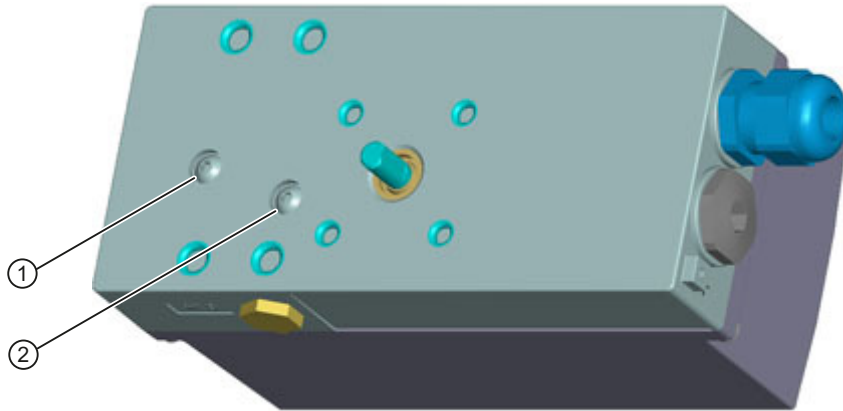
The following pneumatic connections are provided at the rear side of the basic device for the integrated attachment for single-acting linear actuators:

- Actuating pressure Y1
- Exhaust air outlet

5.3 Pneumatic connection

These connections are sealed with screws when the device is delivered.

The exhaust air outlet is corrosion-resistant for the blanketing of the pick-up room and the spring chamber with dry instrument air.



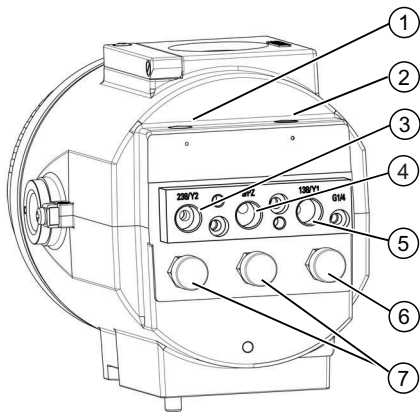
- ① Actuating pressure Y1
- ② Exhaust air outlet

Figure 5-13 Integrated pneumatic connection

5.3.3 Pneumatic connection in the flameproof enclosure

Structure

The pneumatic connections are provided on the right side of the positioner.




- ① Restrictor Y2 *)
- ② Restrictor Y1
- ③ Output: Actuating pressure Y2 *)
- ④ Input: Supply pressure PZ
- ⑤ Output: Actuating pressure Y1
- ⑥ Exhaust air outlet
- ⑦ Enclosure ventilation (2x)

*) for double-acting actuators

Figure 5-14 Pneumatic connection in the flameproof enclosure

5.3.4 Behavior in case of failure of the electrical auxiliary power and/or the supply pressure PZ

Overview

 CAUTION
<p>Note the following before working on the control valve</p> <p>Note that, before working on the control valve, you must first move it to the safety position. Make sure that the process valve has reached the safety position. If you only interrupt the supply pressure PZ to the positioner, the safety position may in some cases only be attained after a certain delay period.</p>

The difference between a failure of supply pressure PZ and a failure of electrical auxiliary power:

- Failure of **electrical auxiliary power** means:
 - Device version 2-wire: Failure of signal source 4 to 20 mA
 - Device version 3/4-wire: Failure of power source 18 to 30 V
- Failure of the **supply pressure PZ**

With 3-wire/4-wire device version, the 0% position is approached if the 4 to 20 mA signal source fails. The following table shows the pneumatic connection versions for different actuator types, regulating action and safety position after failure.

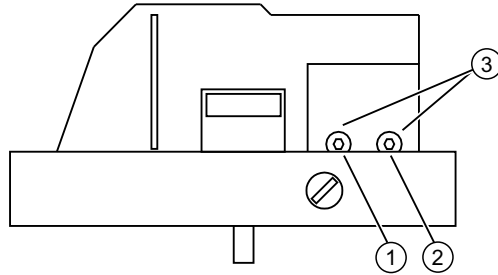
Actuator type	Behavior in case of failure: The actuator moves into safety position		Fail in place, order suffix F01	
	Failure of electrical auxiliary power	Failure of supply pressure PZ	Failure of electrical auxiliary power	Failure of supply pressure PZ
Single-acting	Y1 = depressurized	Y1 = depressurized	Y1 = closed	Y1 = closed
Double-acting	Y1 = pressurized Y2 = depressurized	Y1 = closed Y2 = closed	Y1 = closed Y2 = closed	Y1 = closed Y2 = closed

5.4 Restrictors

- Reduce the air output to achieve travel times of $T > 1.5$ s for small actuators. Use restrictors Y1 ① and Y2 ② for this purpose.
- When turned clockwise, they reduce the air output and finally shut it off.

5.4 Restrictors

- In order to set the restrictors, we recommend closing them and then opening slowly.
- In case of double-acting valves, ensure that both restrictors have approximately the same setting.



- ① Restrictor Y1
- ② Restrictor Y2, only in the version for double-acting actuators *)
- ③ Hexagon socket-head screw 2.5 mm

Figure 5-15 Restrictors

*) Restrictor Y2 ② is not active for single-acting Fail in Place F01

See also

Sequence of automatic initialization (Page 109)

Operating

6.1 Operating elements

6.1.1 Display

Introduction

Note



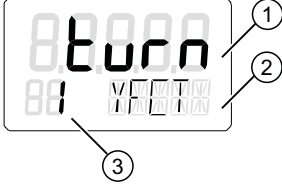
Repetition rate display

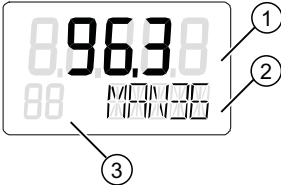
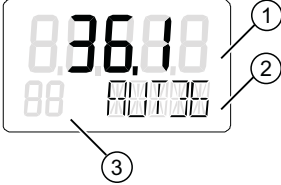
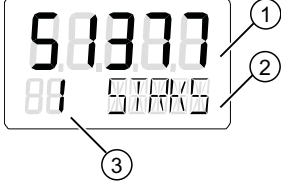
When operated in temperature ranges below -10°C , the liquid crystal display of the positioner becomes sluggish and the repetition rate display reduces considerably.

The display has two lines. These two lines are segmented differently. Each element in the upper line has 7 segments, whereas that in the lower line has 14 segments. Contents of the display depend on the selected mode.

Display options as per the mode

An overview of mode-specific display options is given below.

Operating mode	Representation in the display	Pos.	Legend
P manual mode		①	Potentiometer setting [%]
		②	Blinking indicator for the non-initialized status.
Initialization mode		①	Potentiometer setting [%]
		②	Display of the current status of initialization or a fault message.
		③	Indicator for ongoing initialization or a fault message.
Configuring		①	Parameter value
		②	Parameter name
		③	Parameter number

Operating mode	Representation in the display	Pos.	Legend
Manual mode (MAN)		①	Position [%]
		②	Setpoint [%]
		③	Fault message
Automatic (AUT)		①	Position [%]
		②	Setpoint [%]
		③	Fault message
Diagnostics		①	Diagnostics value
		②	Diagnostics name
		③	Diagnostics number

See also

System messages before initialization (Page 207)

Changing the operating mode (Page 98)

6.1.2 Buttons

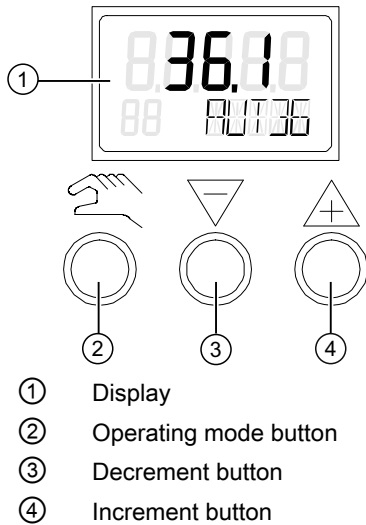


Figure 6-1 Display and buttons of the positioner

- You can use three buttons to operate the positioner.
- The function of the buttons depends on the mode selected.
- In a positioner with a flameproof enclosure, the buttons are protected by a cover. The button cover can be opened after unlatching the locking screw.

Note**Button cover**




In positioners with flameproof enclosures, the button cover prevents liquids from seeping through. The IP66 / type 4X degree of protection is not ensured when the enclosure or the button cover is open.

You have to remove the enclosure cover to operate the buttons of the basic device or the "intrinsically safe" version.



Note**Degree of protection**

The IP66 / type 4X degree of protection is not ensured as long as the positioner is open.

Function of buttons:

- The  button is used to select the modes and to forward the parameters.
- The  button is used to select parameter values in "Configuration" mode. You can use this button to move the actuator in "Manual" mode.
- The  button is also used to select parameter values in "Configuration" mode. You can use this button to move the actuator in "Manual" mode.

Note**Order**

Parameters are activated in the reverse order when the  and  buttons are pressed simultaneously.

6.1.3 Firmware version

The current firmware version is displayed when you exit the operating mode "Configuration".

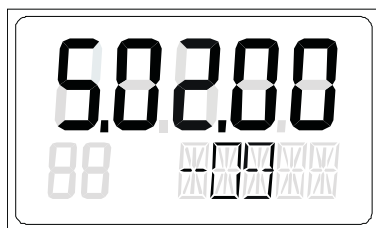


Figure 6-2 Firmware version, example

6.2 Operating modes

6.2.1 Overview of operating modes

You have five operating modes at your disposal to operate the positioner:

1. P-manual mode (as-delivered condition)
2. Configuration and initialization mode
3. Manual mode (MAN)
4. Automatic (AUT)
5. Diagnostics

6.2.2 Changing the operating mode

The following picture illustrates the available operating modes and switching between the operating modes.

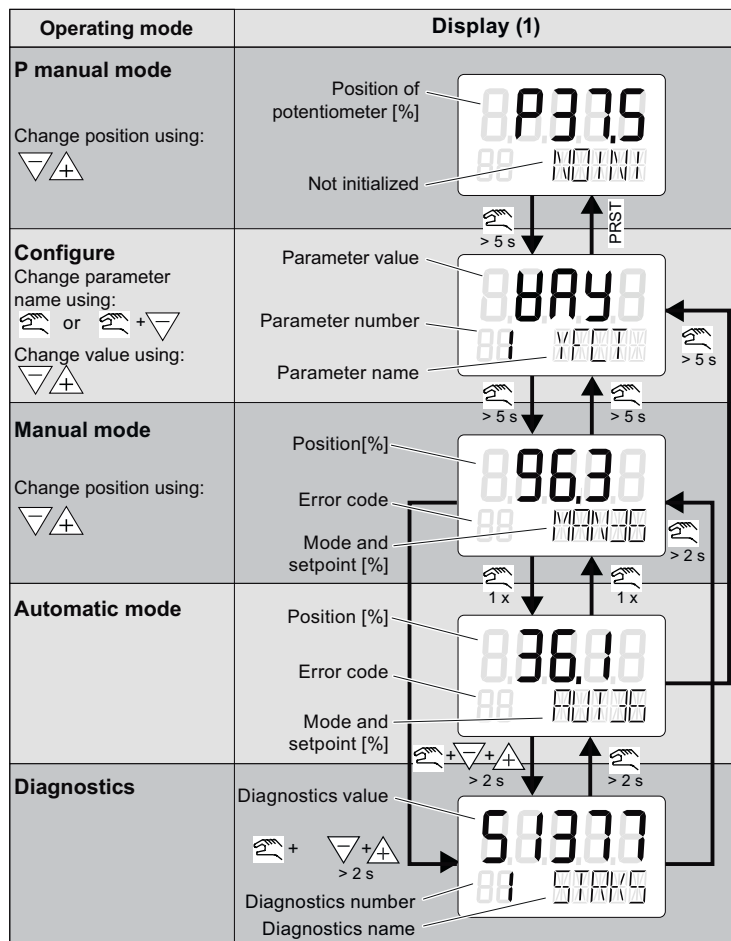


Figure 6-3 Switching between the operating modes

See also

Display (Page 95)

6.2.3 Overview of configuration

The following picture illustrates the handling of operating modes such as "Configuration" and "Initialization mode":

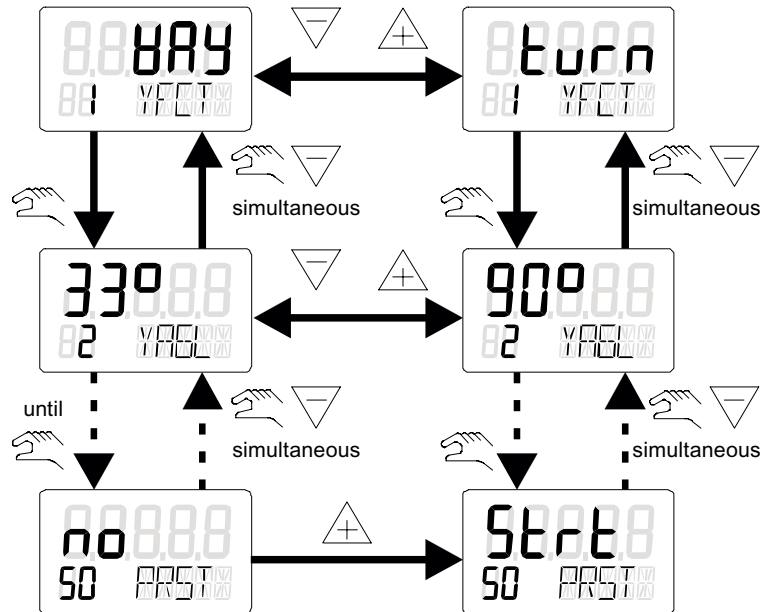


Figure 6-4 Overview of the "Configuration" operating mode

6.2.4 Description of operating modes

P manual mode

Note

Delivery state

The "P manual mode" is preset for the positioner in the delivery state.

The display of the positioner shows the current potentiometer position in the upper line. "NOINI" blinks in the second line of the display.

Move to the actuator with the ▾ or ▲ buttons.

Switch to "Configuration" mode to adapt the actuator to the positioner.

Alarms or position feedbacks can be triggered after initializing the positioner completely.

Configuration and initialization

To get to the "Configuration" mode, press the  button for at least 5 seconds.

You can use the "Configuration" mode to adjust the positioner individually as per your actuator and start commissioning or initialization.

The positioner reports the "Configuration" mode with a configurable fault message. A position feedback or display of limits A1 and A2 is not possible.

Note



Failure of electrical auxiliary power

If electrical auxiliary power supply fails when configuring, the positioner responds as follows when the power supply is reestablished:

- The positioner switches to the first parameter.
- Settings of the values already configured are retained.

In order to save the changed parameter values, exit the "Configuration" mode or switch to another parameter. When "Configuration" mode is restarted, the output in the display switches to the last activated parameter.

Manual mode (MAN)

In this mode, you move the actuator with  or . The setting selected here is retained irrespective of the setpoint current and leakages, if any.

Note

Accelerating the actuator movement

Proceed as follows if you wish to accelerate the actuator movement:

1. Keep one of the two direction buttons pressed.
 2. Press the remaining direction button simultaneously.
-

Note

Failure of power supply

When the power supply is reestablished after a failure, the positioner switches to the "Automatic" mode.

Automatic (AUT)

Automatic is the standard mode. In this mode, the positioner compares the setpoint position with the actual position. The positioner moves the actuator until the control deviation reaches the configurable deadband. An error message is displayed if the deadband cannot be reached.

Diagnostics

Proceed as follows to call the "Diagnostics" mode from the "Automatic" or "Manual" modes:

Press the three buttons of the positioner at the same time for at least 2 seconds.

Current operating data can be called and displayed in this mode, e.g.:

- Number of total strokes
- Number of changes in direction
- Number of fault messages

Note**Setting the mode**

The "Automatic" and "Manual" modes remain set when switching to the "Diagnostics" mode. The positioner responds as per the configured mode:

- The predefined setpoint is used as the control variable in "Automatic" mode.
 - The last reached position is retained in "Manual" mode.
-

See also

Overview (Page 107)

Overview of advanced diagnostic parameters A to U (Page 139)

Overview of diagnostics values (Page 213)

6.2.5 Optimization of controller data

Note**Initializing**

Initialize the positioner automatically before changing the parameter settings as per your specific requirements.

The positioner determines the data for control quality automatically during the initialization process.

The data determined is optimized for a short transient time in the case of minor overshoots.

The adjustment can be accelerated or the attenuation can be intensified by optimizing the data.

The following special cases are suitable for targeted data optimization:

- Small actuators with travel times < 1 s.
- Operation with boosters, described in section "Booster commissioning (Page 305)"

Procedure

1. Switch to "Diagnostics" mode.
2. Select the diagnostics parameters.

3. Press the three buttons of the positioner at the same time for at least 2 seconds.
4. Activate the setting function. Press the Δ or ∇ button for at least 5 seconds.

The modified diagnostics values are effective immediately. The effects on the controller results can then be tested.

In order to optimize the controller data, change the values of the diagnostics parameters listed below.

Diagnostics parameters '23.IMPUP' Impulse length UP / '24.IMPDN' Impulse length DOWN

You can use these diagnostics parameters to determine the smallest impulse lengths for each actuating direction. The actuator is then moved with these lengths. The optimum value depends in particular on the volume of the actuator. Small values lead to small controller increments and frequent activation of the actuator. Large values are advantageous for large actuator volumes.

Note

Controller increments

- There is no movement if the values are too small.
 - Large controller increments also lead to large movements with small actuators.
-

Diagnostics parameters '28.SSUP' Slow step zone UP / '29.SSDN' Slow step zone DOWN

The slow step zone is the area of mean control deviation. For more information on the slow step zone, refer to the section "Mode of operation (Page 30)".

Select small values to achieve high speeds of shifting even with small control deviations. Select large values to reduce overshoots particularly in case of large changes in the setpoint.

NOTICE
Overshoots or too low speeds of shifting
Too small values can result in overshoots.
<ul style="list-style-type: none">• Enter a higher value.
Too large values result in too slow speeds of shifting near the adjusted status.
<ul style="list-style-type: none">• Enter a smaller value.

Diagnostics parameters '47.PRUP' Prediction UP / '48.PRDN' Prediction DOWN

These diagnostics parameters act as attenuation factors and are used to set the control dynamics. Changes in the diagnostics values have the following results:

- Small values result in quick adjustments with overshoots.
- Large values result in slow adjustments without overshoots.

Note**Reference variable**

It is advantageous to use a fixed reference variable to optimize the control data. Therefore, change the deadband of the controller in the '34.DEBA' parameter from "Auto" to a fixed value.

Commissioning

7.1 Basic safety instructions

 WARNING**Lever for position detection**

Danger of crushing and shearing with mounting kits which use a lever for position detection. During commissioning and ongoing operation, severing or squeezing of limbs could occur as a result of the lever. Risk of injury when working on control valves due to the high operating force of the pneumatic actuator.

- Do not reach into the range of motion of the lever following mounting of the positioner and mounting kit.

 WARNING**Improper commissioning in hazardous areas**

Device failure or risk of explosion in hazardous areas.

- Do not commission the device until it has been mounted completely and connected in accordance with the information in Technical data (Page 239).
- Before commissioning take the effect on other devices in the system into account.


See also


Basic safety instructions (Page 105)


 WARNING**Commissioning and operation with pending error**


If an error message appears, correct operation in the process is no longer guaranteed.

- Check the gravity of the error.
- Correct the error.
- If the error still exists:
 - Take the device out of operation.
 - Prevent renewed commissioning.

 WARNING
Loss of explosion protection
Risk of explosion in hazardous areas if the device is open or not properly closed.
<ul style="list-style-type: none">• Close the device as described in Installing/mounting (Page 37).

 WARNING
Opening device in energized state
Risk of explosion in hazardous areas
<ul style="list-style-type: none">• Only open the device in a de-energized state.• Check prior to commissioning that the cover, cover locks, and cable inlets are assembled in accordance with the directives.
Exception: Devices having the type of protection "Intrinsic safety Ex i" may also be opened in energized state in hazardous areas.

 WARNING
Water in compressed air line
Device damage and possibly loss of type of protection. The factory setting for the purging air selector is "IN". In the "IN" position, water from the compressed air line may enter the device from the pneumatics during initial commissioning.
<ul style="list-style-type: none">• Before commissioning, make sure that no water is present in the compressed air line.
If you cannot be sure that there is no water in the compressed air line:
<ul style="list-style-type: none">• Set the purging air selector to "OUT". In this way, you prevent water from the compressed air line from penetrating the device.• Only set the purging air selector to "IN" again when all water has been discharged from the compressed air line.

 CAUTION
Increased sound pressure level
Changes to the sound absorber of the positioner or the mounting of pneumatic components or pneumatic options on the positioner can cause a sound pressure with a level of 80 dBA to be exceeded.
<ul style="list-style-type: none">• Wear suitable hearing protection to protect yourself against hearing damage.

When operating the positioner with natural gas, you must follow and adhere to the following safety notes:

<p>! WARNING</p> <p>Operation with natural gas</p> <ol style="list-style-type: none">1. Only positioners and option modules which are connected to power supplies with type of protection "Intrinsic safety, protection level [ia]" may be operated with natural gas.2. Do not operate the positioner with natural gas in closed spaces.3. Natural gas is continuously blown off, depending on the model. Special care must therefore be taken during maintenance activities near the positioner. Always ensure that the immediate surroundings of the positioner are adequately ventilated. The maximum values for ventilation are listed in section "Technical data (Page 239)".4. If you operate the positioner with natural gas, it is not permitted to use Mechanic Limit Switches (MLS).5. Depressurize the devices operated with natural gas adequately during maintenance activities. Open the cover in an explosion-free atmosphere and depressurize the device for at least two minutes.
--

Note**Quality of natural gas**

Only use natural gas which is clean, dry and free from additives.

7.2 Overview

Note

- During the initialization process, the operating pressure must be at least one bar more than that required to close or open the valve. However, the operating pressure should not be greater than the maximum permissible operating pressure for the actuator.
-

General information about commissioning

1. After installing the positioner on a pneumatic actuator, you must supply electric and pneumatic auxiliary power to it.
2. The positioner is in the "P manual mode" before initialization. At the same time, "NOINI" blinks in the lower line of the display.
3. Position feedback: You can adjust the range of position detection using the friction clutch if necessary.
4. Adjust the positioner as per the respective actuator with the help of the initialization process and by setting the parameters. If required, use the "PRST" parameter to cancel the adjustment of the positioner on the actuator. The positioner is again in the "P manual mode" after this process.

Types of initialization

You can initialize the positioner as follows:

- Automatic initialization:
during automatic initialization, the positioner determines the following one after the other:
 - The direction of action
 - The actuator travel and angle of rotation
 - The travel time of the actuator

The positioner also adjusts the control parameters as per the dynamic response of the actuator.

- Manual initialization:
the actuator travel and the angle of rotation of the actuator are set manually. The remaining parameters are automatically determined. This function is useful for valves which are lined, for example, with PTFE.
- Copying the initialization data when replacing a positioner:
the initialization data of a positioner can be read and copied into another positioner. A defective device can thus be replaced without interrupting an ongoing process through initialization.

You have to define a few parameters for the positioner before initialization. Owing to the preset values, you cannot adjust further parameters for initialization.

With a suitable parameter assignment of the parameter "BIN1" and enabled digital input "DI1", you protect the configured settings against accidental adjustment.

See also

Overview of operating modes (Page 98)

7.3 Sequence of automatic initialization

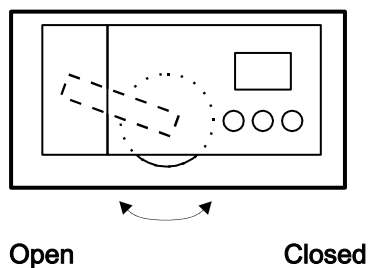
Overview

The automatic initialization takes place in the following phases:

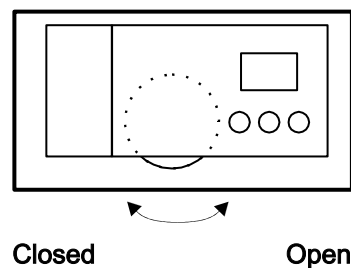
Automatic initialization phase	Description
Start	-
RUN 1	Establishing the direction of action.
RUN 2	Checking the actuator travel and trimming the lower and upper endstops.
RUN 3	Establishing and displaying the travel time (leakage test)
RUN 4	Minimization of controller increments
RUN 5	Optimization of the transient response
End	-

The following structured charts describe the sequence of initialization. The "Up/Down" names indicate the direction of action of actuators.

Linear actuator

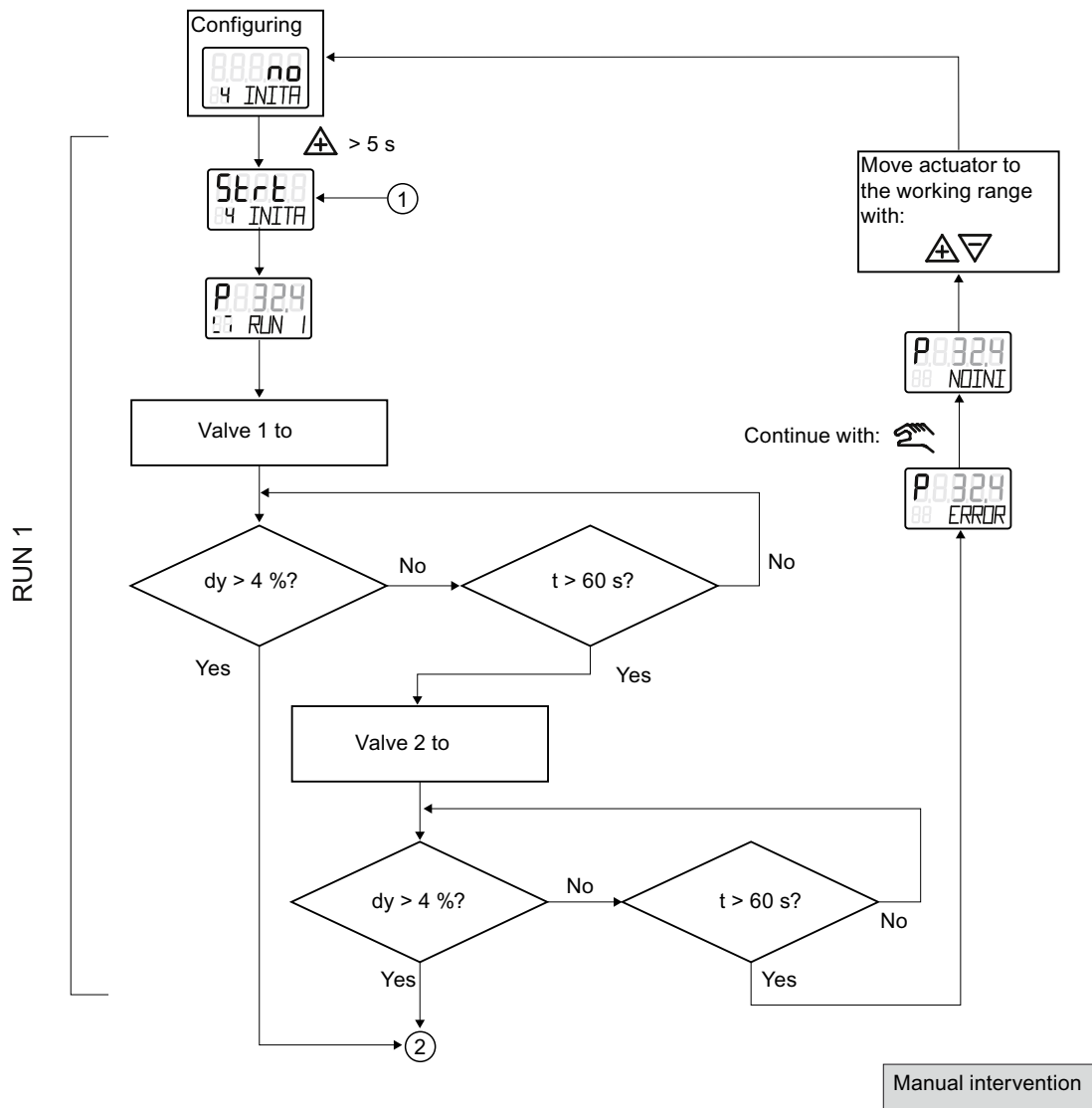


Part-turn actuator



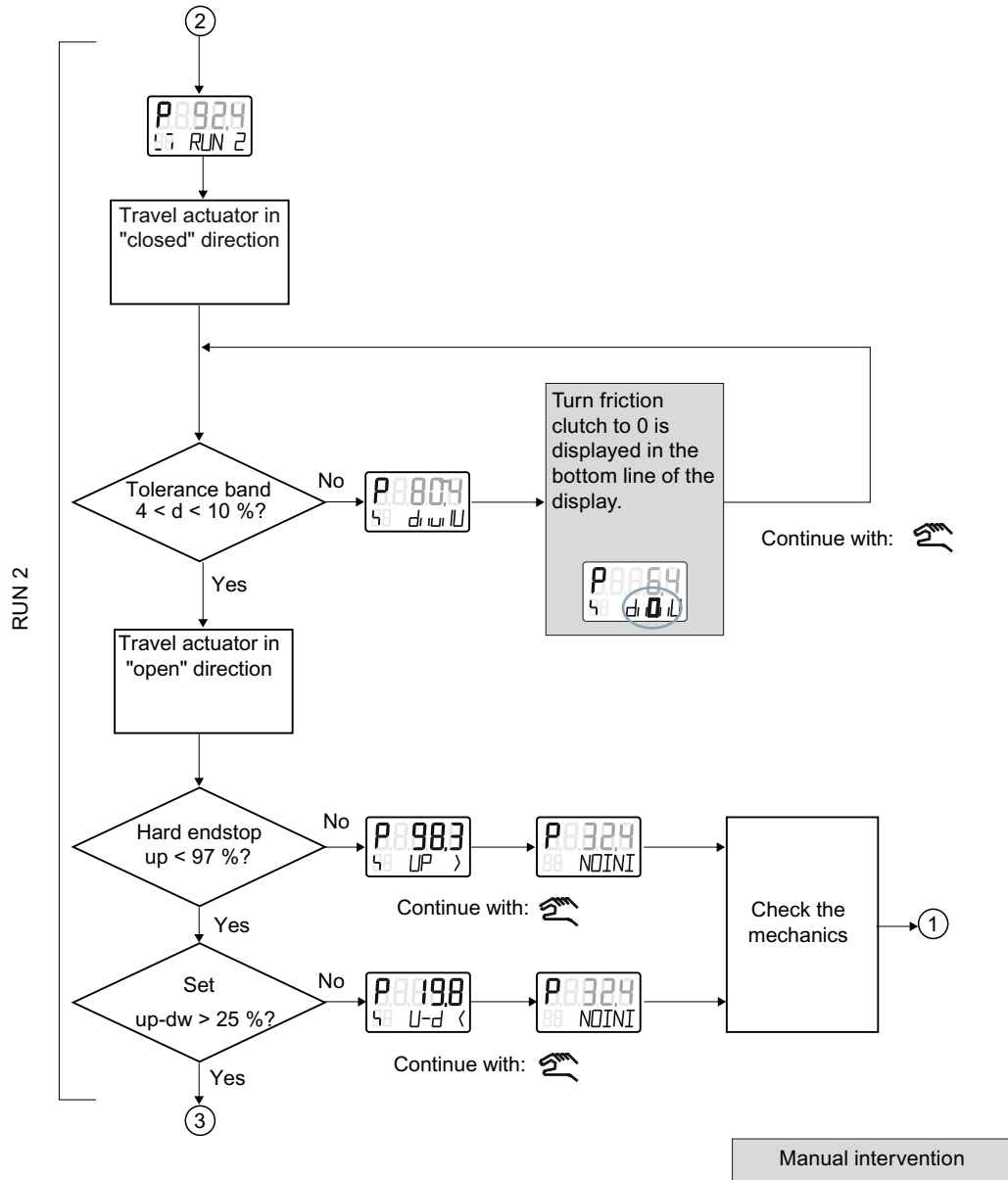
7.4 RUN 1 sequence

This structured chart describes the process to establish the direction of action.



7.6 RUN 2 sequence with part-turn actuators

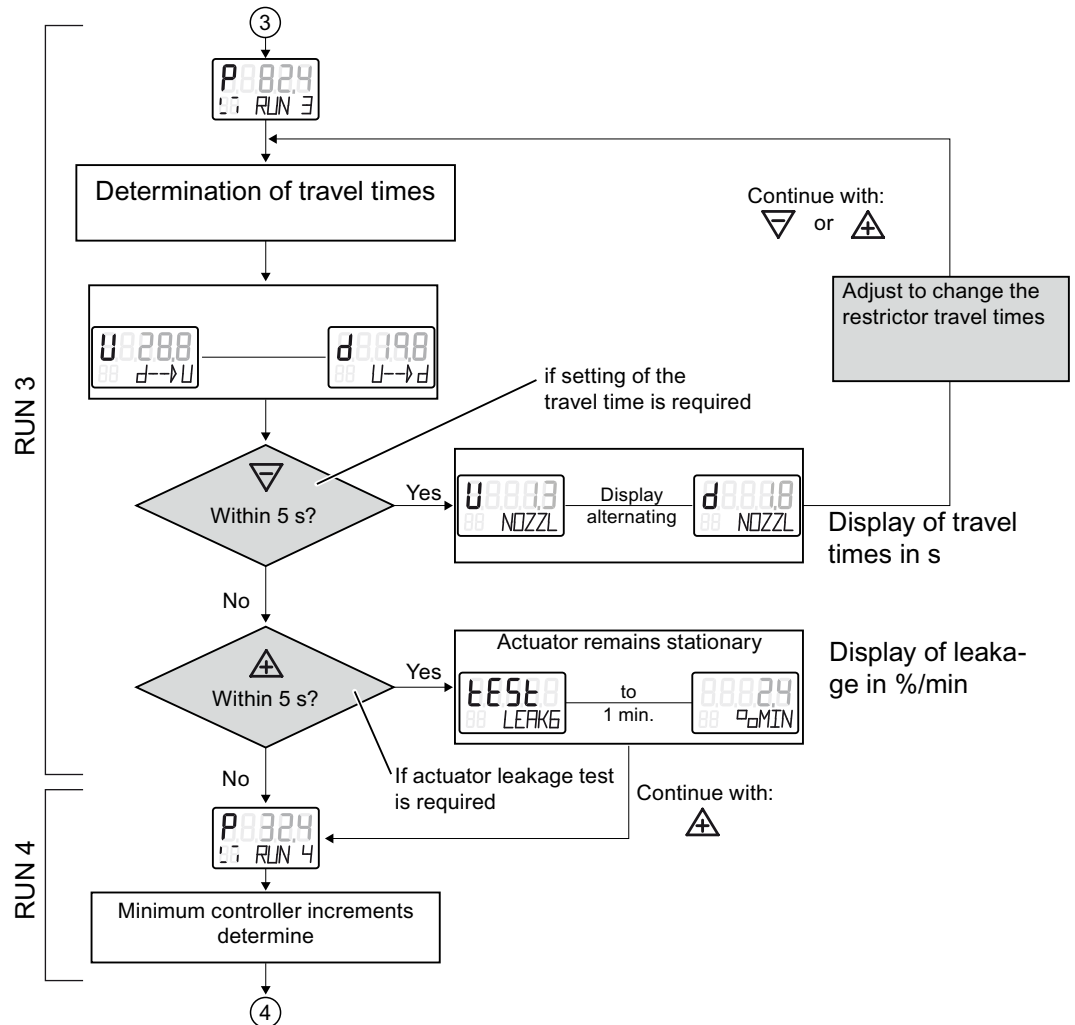
This structured chart describes the sequence for checking the actuator travel. It also contains information about the sequence for trimming the lower and upper endstops.

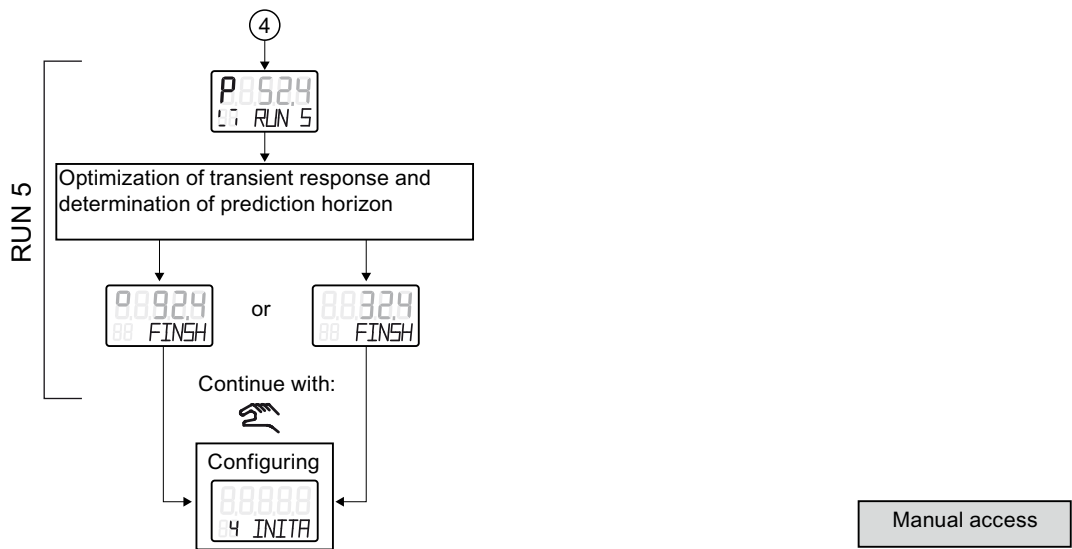


7.7 RUN 3 to 5 sequence

This structured chart describes:

- Establishing and displaying the travel time/leakage in RUN 3
- Minimization of controller increments in RUN 4
- Optimization of the transient response in RUN 5





7.8 Setting the friction clutch

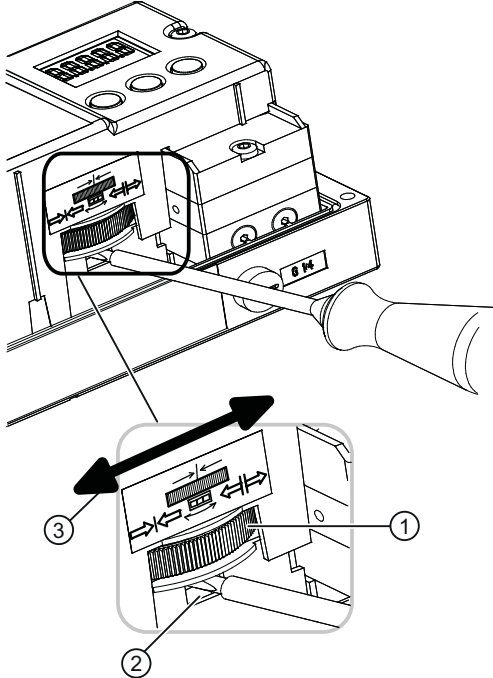
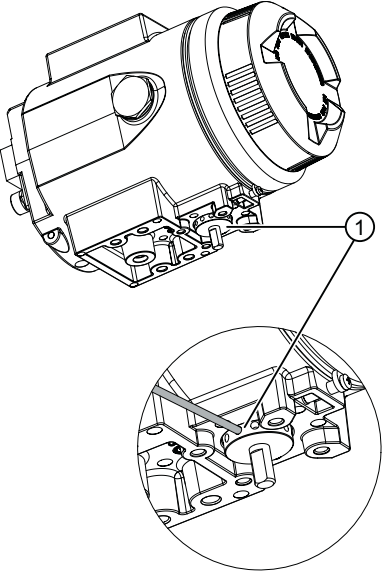
Introduction

It has a friction clutch and a switchable gear (Page 48) so that the positioner can be used with different mechanical part-turn and linear actuators. Use the friction clutch to adjust the position detection area. For positioners in non-flameproof enclosures, you also have the option of locking the friction clutch.

Requirement

- The positioner is mounted.

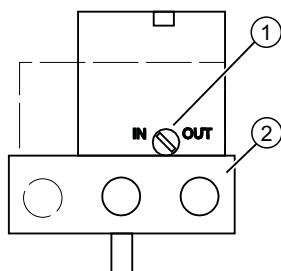
Procedure

In non-flameproof enclosure	In flameproof enclosure Ex d
	
<ol style="list-style-type: none"> 1. Adjust the working area to your application by turning the adjustment wheel of the friction clutch ①. 2. Fasten the friction clutch. Insert a standard approx. 4 mm wide screwdriver in the friction clutch gear latch ②. 3. Use the screwdriver to turn the friction clutch gear latch ② counterclockwise ③ until it engages. The friction clutch ① is locked. 	<ol style="list-style-type: none"> 1. Adjust the working range by slightly turning the adjustment wheel of the friction clutch ① over the hole with a pin. <p>CAUTION Follow the steps below to avoid damage to your device.</p> <ul style="list-style-type: none"> • The friction clutch ① is outside the flameproof enclosure at the bottom. • Do not loosen the screws on the adjustment wheel of the friction clutch ① . • Frequent twisting of the friction clutch is not provided for due to the design. • It is not necessary to lock the friction clutch.

7.9 Purge air switching

When the enclosure is open, the purge air switch above the pneumatic terminal strip on the valve block can be accessed.

- In the IN position, the enclosure is flushed from inside with a small volume of clean and dry instrument air.
- In the OUT position, the purge air is directly directed towards outside.



- ① Purging air selector
 ② Pneumatic connections Y1, PZ and Y2

Figure 7-1 Purge air switch on the valve block; view of the positioner on the pneumatic connection side when the cover is open

The factory setting is the "IN" position.

7.10 Commissioning linear actuators

7.10.1 Preparing linear actuators for commissioning

Condition

You have already installed the positioner using the suitable mounting kit.

Setting the transmission ratio selector

Note

Commissioning

The setting of the transmission ratio selector is extremely important to commission the positioner.

Stroke [mm]	Position of the transmission ratio selector
5 to 20	33°
25 to 35	90°
40 to 130	90°

Connecting the positioner

1. Connect a suitable power supply. The positioner is now in "P manual mode". The current potentiometer voltage (P) in percent is shown in the upper line of the display, e.g.: 'P37.5', and 'NOINI' flashes in the bottom line:



2. Connect the actuator and the positioner to the pneumatic lines.
3. Supplying the positioner with supply pressure PZ.

Setting the actuator

1. Check whether the mechanical unit can be moved freely in the entire travel range. Move the actuator to the respective end position for this purpose using the \triangle or ∇ button.

Note

End position

By simultaneously pressing the \triangle and ∇ buttons, you reach the end position faster.

2. Now move the actuator to the horizontal position of the lever.
3. A value between 'P48.0' and 'P52.0' is shown on the display.
4. If a value beyond this value range is shown on the display, you must move the friction clutch. Move the friction clutch until a value between 'P48.0' and 'P52.0' is reached. The closer this value is to 'P50.0', the more accurately the positioner determines the stroke travel.

Note

For device versions with flameproof enclosure

The inner friction clutch is fixed. Therefore, only move the outer friction clutch. This also applies when using an internal NCS module.

The following applies to device versions without flameproof enclosure with internal NCS module 6DR4004-5L.:

The inner friction clutch has no function. This means you should only adjust the adjustment wheel of the magnet clamp; see section "Internal NCS module (iNCS) 6DR4004-5L / -5LE (Page 68)". Condition: The '1.YFCT' type of actuator (Page 143) parameter is set.

See also

Mounting to linear actuator (Page 40)

Opening the device version with "flameproof enclosure" (Page 55)

7.10.2 Automatic initialization of linear actuators

Requirements


The following conditions must be fulfilled before activating the automatic initialization:

1. The actuator spindle can be moved completely.
2. The actuator spindle is at a central position after travel.

Initializing the linear actuator automatically

Note

Interrupting initialization


An ongoing initialization can be interrupted at any time. To do this, press . The settings configured until then are retained.

All parameters are reset to factory settings only if you have explicitly activated the preset settings in the "PRST" parameter.


Note

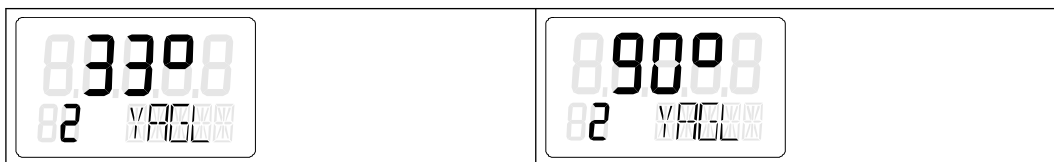
Commissioning of a tight-closing valve

If the valve is tight-closing, set the "YCLS (Page 153)" parameter before commissioning. This ensures that the end positions are approached for at least 15 seconds during initialization.



1. Switch to the "Configuration" mode. To do this, keep the  button pressed for at least 5 seconds. The display shows the following:



2. Call the "2.YAGL" parameter. To do this, press . The following is shown on the display depending on the setting:





3. Check whether the value displayed in the "2.YAGL" parameter matches the setting of the transmission ratio selector. If required, change the setting of the transmission ratio selector to 33° or 90°.


4. Set the "3.YWAY" parameter to determine the total stroke in mm. The setting of parameter 3 is optional. The display shows the determined total stroke at the end of the initialization phase.
 - Press the  button if you do not require any information about the total stroke in mm. You then reach parameter 4.
 - Call the "3.YWAY" parameter. To do this, press . The display shows the following:




Note

Set the "3.YWAY" parameter

1. On the scale of the lever, read the value marked by the carrier pin.
2. Set the parameter with the buttons  and  to the read value.

5. Call the "4.INITA" parameter. To do this, briefly press the  button. The display shows the following:



6. Start the initialization process. To do this, keep the  button pressed for at least 5 seconds until the display shows the following:



The positioner runs through five initialization steps during the automatic initialization process. The displays for the initialization steps from "RUN 1" to "RUN 5" are located in the lower line of the display. The initialization process depends on the actuator used, and takes up to 15 minutes.

7. The following display indicates that the automatic initialization is complete:



See also

Sequence of automatic initialization (Page 109)

7.10.3 Manual initialization of linear actuators


You can use this function to initialize the positioner without needing to move the actuator to the lower and upper endstops. The lower and upper endstops of the actuator travel are set manually. When the control parameters are optimized, the further initialization process runs automatically.

Conditions


The following conditions must be fulfilled before activating manual initialization:

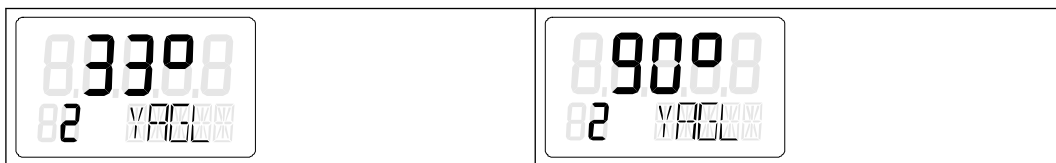
1. The positioner has been prepared for using on linear actuators.
2. The actuator spindle can be moved completely.
3. The displayed potentiometer position is within the permissible range between "P5.0" and "P95.0".

Initializing the linear actuator automatically



1. Switch to the "Configuration" mode. To do this, press the  button for at least 5 seconds until the display shows the following:



2. Call the "2.YAGL" parameter. To do this, briefly press the  button. The following is shown on the display depending on the setting:



3. Check whether the value displayed of the "2.YAGL" parameter matches with the setting of the transmission ratio selector. If required, change the setting of the transmission ratio selector to 33° or 90°.



4. Set the "3.YWAY" parameter to determine the total stroke in mm. The setting of the "3.YWAY" parameter is optional. The display shows the determined total stroke only at the end of the initialization phase.
 - Briefly press the  button if you do not require any information about the total stroke in mm. You are then directed to parameter 4.
 - Call the "3.YWAY" parameter. To do this, briefly press the  button. The display shows the following:




Note


Set the "3.YWAY" parameter

To set the "3.YWAY" parameter proceed as follows:

1. On the scale of the lever, read the value marked by the carrier pin.
2. Set the parameter to the read value with the  or  button.

5. Call the "5.INITM" parameter. To do this, press the  button twice. The display shows the following:


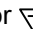



6. Start the initialization process. To do this, press the  button for at least 5 seconds until the display shows the following:



The current potentiometer position is output on the display after 5 seconds. Examples of the displayed potentiometer positions are given below:




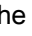
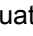

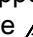
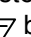

7. Determine the lower endstop of the actuator spindle.
8. Move the actuator to the desired position using the  or  button.

9. Press the  button. The current position of the actuator is applied. The display shows the following:



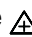


Note
Fault message "RANGE"

The selected end position is beyond the permissible measuring range if the "RANGE" message is output on the display. Correct the settings as follows:

1. Move the friction clutch until the display shows "OK".
 2. Press the  button.
 3. Move the actuator to another position using the  or  button.
 4. Abort the manual initialization process by pressing the  button.
 5. Then return to "P manual mode".
 6. Correct the actuator travel and the position detection.
-
10. Determine the upper endstop of the actuator spindle. Move the actuator to the desired position using the  or  button.
11. Press the  button. The current position of the actuator is applied.

Note
Fault message "Set Middl"

The lever arm is not in the horizontal position if the "Set Middl" message is output on the display. To correct the fault, set the reference point of the sine correction. Proceed as follows:

1. Move the lever arm to the horizontal position using the  or  button.
 2. Press the  button.
-
12. The initialization process is automatically resumed. Initialization steps "RUN 1" to "RUN 5" are output in the bottom line of the display. The following is displayed when the initialization has been completed successfully:



Note
Total stroke

If the "3.YWAY" parameter has been set, the display shows the total stroke in mm.

7.11 Commissioning part-turn actuators

7.11.1 Preparing part-turn actuators for commissioning

Note

Setting of the adjustment angle

The usual adjustment angle for part-turn actuators is 90°.

- Set the transmission ratio selector in the positioner to 90°.
-

Condition

The following conditions must be fulfilled before activating the initialization:

1. You have installed the positioner for the part-turn actuators using the suitable mounting kit.
2. You have connected the actuator and the positioner to the pneumatic lines.
3. Supplying the positioner with the supply pressure PZ.
4. The positioner has been connected to a suitable power supply.

Setting the actuator

1. The positioner is in the "P manual mode". The current potentiometer voltage P in percent is shown on the upper line in the display. "NOINI" blinks in the lower line of the display. Examples of corresponding displays are given below:



2. Check whether the mechanical unit can be moved freely in the entire travel range. Move the drive to the respective end position for this purpose using the \triangle or ∇ button.

Note

End position

By simultaneously pressing the \triangle and ∇ buttons, you reach the end position faster.

3. After checking, move the actuator to a central position. This accelerates the initialization process.

7.11.2 Automatic initialization of part-turn actuators

Requirement


The following conditions must be fulfilled before activating the automatic initialization:

1. The travel range of the actuator can be passed through completely.
2. The actuator shaft is at a central position.

Initializing the part-turn actuator automatically

Note

Interrupting initialization


An ongoing initialization can be interrupted at any time. To do this, press . The settings configured until then are retained.

All parameters are reset to factory settings only if you have explicitly activated the preset settings in the "PRST" parameter.


Note

Commissioning of a tight-closing valve

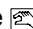
If the valve is tight-closing, set the "YCLS (Page 153)" parameter before commissioning. This ensures that the end positions are approached for at least 15 seconds during initialization.

1. Switch to the "Configuration" mode. To do this, press the  button for at least 5 seconds until the display shows the following:




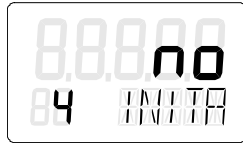
2. Use the  button to change from linear actuator to part-turn actuator until the display shows the following:




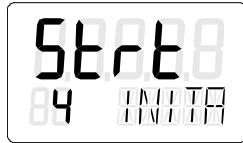
3. Call the "2.YAGL" parameter. To do this, briefly press the  button. This parameter has already been set to 90° automatically. The display shows the following:



- 4. Call the "4.INITA" parameter. To do this, briefly press the  button. The display shows the following:



- 5. Start the initialization process. To do this, press the  button for at least 5 seconds until the display shows the following:



The positioner runs through five initialization steps during the automatic initialization process. The displays for the initialization steps from "RUN 1" to "RUN 5" are located in the lower line of the display. The initialization process depends on the actuator used, and takes up to 15 minutes.

- 6. The following display indicates that the automatic initialization is complete. The total angle of rotation of the actuator is shown on the upper line on the display:



See also

Sequence of automatic initialization (Page 109)

7.11.3 Manual initialization of part-turn actuators

You can use this function to initialize the positioner without needing to move the actuator to the lower and upper endstops. The lower and upper endstops of the actuator travel are set manually. When the control parameters are optimized, the further initialization process runs automatically.

Conditions

The following conditions must be fulfilled before activating manual initialization:


1. The positioner has been prepared for using on part-turn actuators.
2. The actuator can be moved completely.
3. The displayed potentiometer position is within the permissible range between "P5.0" and "P95.0".

Note

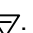
Setting of the adjustment angle

The usual adjustment angle for part-turn actuators is 90°. Accordingly set the transmission ratio selector in the positioner to 90°.


Initializing the positioner manually

1. Switch to the "Configuration" mode. To do this, press the  button for at least 5 seconds until the display shows the following:




2. Set the "YFCT" parameter to "turn". To do this, press . The display shows the following:




3. Call the second parameter "YAGL". To do this, press . The display shows the following:



4. Call the "INITM" parameter. To do this, press the  button twice. The display shows the following:




5. Start the initialization process. Press the  button for at least 5 seconds until the display shows the following:



6. The current potentiometer position is output on the display after 5 seconds:




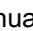
7. Determine the lower endstop of the actuator.
8. Move the actuator to the desired position using the ▲ or ▼ button.
9. Press the  button. The current position of the actuator is applied. The display shows the following:




Note

Fault message "RANGE"

The selected end position is beyond the permissible measuring range if the "RANGE" message is output on the display. Correct the settings as follows:

1. Move the friction clutch until the display shows "OK".
 2. Press the  button.
 3. Move the actuator to another position using the ▲ or ▼ button.
 4. Abort the manual initialization process by pressing the  button.
 5. Then return to "P manual mode".
 6. Correct the actuator travel and the position detection.
-

10. Determine the upper endstop of the actuator. Move the actuator to the desired position using the ▲ or ▼ button.
11. Press the  button. The current position of the actuator is applied.
12. The initialization process is automatically resumed. Initialization steps "RUN 1" to "RUN 5" are output in the bottom line of the display. The following display indicates that the initialization has been completed successfully:




7.12 Canceling initialization


1. Press the  button.

- Canceling automatic initialization: the display shows "INITA".
- Canceling manual initialization: the display shows "INITM".

The positioner is in the "Configuration" mode.

2. Exit the "Configuration" mode. To do this, press the  button for at least 5 seconds.

The software version is displayed.

After releasing the  button, the positioner is in "P manual mode". The positioner is not initialized.

7.13 Device replacement

Introduction

Note

Initialization

The positioner can be replaced without having to interrupt the ongoing process. However, copying and transferring of the initialization parameters only allows an approximate adjustment of the positioner to your actuator. Following initialization, the positioner initially works with the manually defined parameters.

- For this reason, an automatic or manual initialization should be carried out as soon as possible.
-

Note

Deferred initialization

Initialize the new positioner as soon as possible. The following properties can be ensured only after initializing:

- Optimum adjustment of the positioner as per the mechanical and dynamic properties of the actuator
 - Non-deviating position of endstops
 - Correctness of the maintenance data
-

There are two ways of replacing a positioner when the equipment is in operation, without having to interrupt the process. The two options depend on whether your positioner has communication.

First possibility - with communication

1. Read the initialization parameters from the previous positioner. Use the parameter assignment tools suitable for this purpose.
2. Transfer the initialization parameters read in the parameterization software under Point 1 into the new positioner.

3. Fix the actuator at its current position mechanically or pneumatically. Use the locking function of your mounting kit, if available.
4. Determine the actual position value. To do this, read the actual position value from the display of the previous positioner. Note down the read value.
5. Dismount the previous positioner from the actuator.
6. Attach the lever arm of the previous positioner to the new positioner.
7. Mount the new positioner on the actuator.
8. Set the transmission ratio selector of the new positioner to the same position as that of the previous positioner.
9. If the displayed actual position value differs from the noted value, correct the deviation by moving the friction clutch.
10. The new positioner is ready for operation when the displayed and noted values match.
11. Release the fixing of the actuator.


Second possibility - without communication

1. Fix the actuator at its current position mechanically or pneumatically. Use the locking function of your mounting kit, if available.
2. Determine the actual position value. To do this, read the actual position value on the display of the previous positioner. Note down the read value.

Note

Electronics defect

If the positioner's electronics are defective, measure the actual position value with a ruler or protractor at the actuator or process valve. Convert the read value into %. Note down the converted value.

3. Dismount the previous positioner from the actuator.
4. Attach the lever arm of the previous positioner to the new positioner.
5. To prevent interference with the ongoing process, initialize the new positioner on an actuator with a similar stroke or swivel range. Attach the new positioner to this actuator. Initialize the new positioner.
6. Then dismount the new, initialized positioner from this actuator.
7. Mount the new, initialized positioner on the fixed actuator.
8. If the displayed actual position value differs from the noted value, correct the deviation by moving the friction clutch.
9. Use the buttons on the positioner to enter the parameters which deviate from the factory setting, such as type of actuator or tight closing.
10. Change to the measured value view using the  button, see section "Description of operating modes (Page 99)".
11. Release the fixing of the actuator.

See also

Sequence of automatic initialization (Page 109)

Automatic initialization of linear actuators (Page 119)

Automatic initialization of part-turn actuators (Page 125)

Manual initialization of linear actuators (Page 121)

Manual initialization of part-turn actuators (Page 126)

Parameter assignment

8.1 Introduction to parameter assignment section

A positioner is responsible for controlling a valve and for monitoring the status of a valve. The parameters described in this section are used to optimally adapt the positioner to the valve and its application.

The parameters are divided into initialization parameters, application parameters, and the extended diagnostics parameters.

- Initialization parameters 1 to 5 (Page 143): Describes die parameters which are relevant for initial commissioning of the positioner on the valve. For example, you can start the automatic initialization here.
- Application parameters 6 to 52 (Page 147): Describes die parameters with which the positioner is adapted to the valve application, for example tight closing at the stops.
- Advanced diagnostic parameters A to U (Page 163): Describes the diagnostics functions which are provided by the positioner. These include monitoring of leakages as well as the partial stroke test. Following activation of these functions, the positioner continuously monitors the status of the valve. If you enter thresholds in the parameters of the diagnostics functions, the positioner actively signals high or low violation of these thresholds. The current monitoring state for these thresholds is displayed as a diagnostic value. For additional details on diagnostics and diagnostic values, refer to the section Diagnostics (Page 212).

The following configuration schematic shows the principle of operation of the parameters. This is followed by a tabular overview of the parameters. Finally, the individual parameters and their functionality are described.

Furthermore, the positioners with HART, PA and FF communication interface in combination with a host system, e.g. SIMATIC PDM or HART communicator etc., offer the following advantages:

- Offline tests such as full stroke test, step response test, multi-step response test and valve performance test.
- Diagnostics cockpit which provides an overview of the state of positioner and valve.
- Logbook with time stamp for documentation of all events such as the violation of thresholds.
- Wizards which provide prompting through the relevant parameters during commissioning, the partial stroke test as well as the offline test.

8.2 Configuration schematic for parameter operating principle

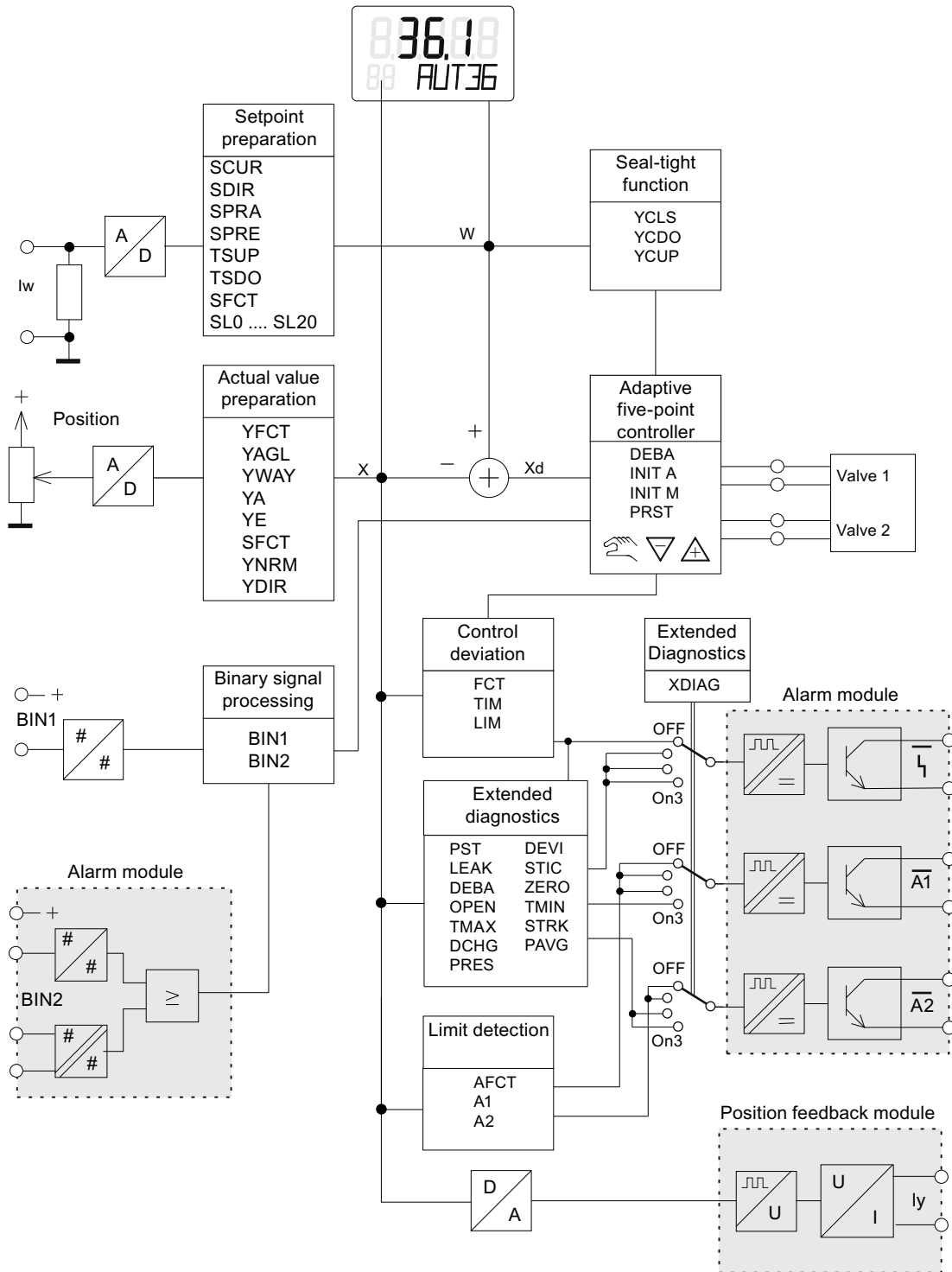


Figure 8-1 Configuration block schematic

8.3 Tabular overview of the parameters

8.3.1 Overview of initialization parameters 1 to 5

Introduction

Parameters 1 to 5 are the same for all versions of the positioner. These parameters are used to adjust the positioner to the actuator. Normally, setting these parameters is sufficient to be able to operate the positioner on an actuator.

If you want to get to know all details of the positioner, gradually try out the effects of the remaining parameters by systematic testing.

Note

Factory-set parameter values are printed in bold in the following table.

Overview

Parameter	Function	Parameter values		Unit
1.YFCT	Type of actuator	Normal	Inverted	
	Part-turn actuator	turn	-turn	
	Linear actuator	WAY	-WAY	
	Linear actuator - carrier pin on actuator spindle	FWAY	-FWAY	
	Linear actuator - external linear potentiometer (e.g. with cylinder drives)	LWAY	-LWAY	
	Part-turn actuator with NCS/iNCS	ncSt	-ncSt	
	Linear actuator with NCS	ncSL	-ncSL	
	Linear actuator with NCS/iNCS and lever	ncSLL	-ncLL	
2.YAGL	Rated angle of rotation of positioner shaft ¹⁾	33°		Degrees
		90°		
3.YWAY ²⁾	Range of stroke (optional setting) ³⁾	OFF		mm
		5 10 15 20 (Short lever 33°, range of stroke 5 mm to 20 mm)		
		25 30 35 (Short lever 90°, range of stroke 25 mm to 35 mm)		
		40 50 60 70 90 110 130 (Long lever 90°, range of stroke 40 mm to 130 mm)		
4.INITA	Initialization (automatic)	NOINI no / ###.# Strt		
5.INITM	Initialization (manual)	NOINI no / ###.# Strt		

8.3 Tabular overview of the parameters

1)	Set the transmission ratio selector accordingly.
2)	Parameter only appears with "WAY", "-WAY", "ncSLL", and "-ncLL"
3)	If used, the value on the actuator must correspond to the set range of stroke on the lever arm. Carrier must be set to the value of the actuator travel or, if this value is not scaled, to the next larger scale value.

8.3.2 Overview of application parameters 6 to 52

Introduction

These parameters are used to configure the following additional functions of the positioner:

- Setpoint preparation
- Actual value preparation
- Digital signals
- Tight closing function
- Limit detection

Note

Factory-set parameter values are printed in bold in the following table.

Overview

Parameter	Function	Parameter values	Unit	
6.SCUR	Current range of setpoint			
		0 ... 20 mA		0 MA
		4 ... 20 mA		4 MA
7.SDIR	Setpoint direction			
		Rising		riSE
		Falling		FALL
8.SPRA	Setpoint split range start	0.0 ... 100.0	%	
9.SPRE	Setpoint split range end	0.0 ... 100.0	%	
10.TSUP	Setpoint ramp up	Auto / 0 ... 400	s	
11.TSDO	Setpoint ramp down	0 ... 400	s	

Parameter	Function	Parameter values	Unit	
12.SFCT	Setpoint function			
	Linear	Lin		
	Equal percentage	1 : 25		1 - 25
		1 : 33		1 - 33
		1 : 50		1 - 50
	Inverse equal percentage	25 : 1		n1 - 25
		33 : 1		n1 - 33
50 : 1		n1 - 50		
Freely adjustable	FrEE			
13.SL0 ... 33.SL20 ¹⁾	Setpoint turning point			
13.SL0	At	0 %	0.0 ... 100.0	%
14.SL1		5 % ...		
32.SL19		95 %		
33.SL20		100 %		
34.DEBA	Deadband of closed-loop controller		Auto / 0.1 ... 10.0	%
35.YA	Start of manipulated variable limit		0.0 ... 100.0	%
36.YE	End of manipulated variable limit		0.0 ... 100.0	%
37.YNRM	Standardization of manipulated variable			
		To mechanical travel	MPOS	
		To flow	FLoW	
38.YDIR	Direction of manipulated variable for display and position feedback			
		Rising	riSE	
		Falling	FALL	
39.YCLS	Tight closing/fast closing with manipulated variable			
		None	no	
		Tight closing Up	uP	
		Tight closing Down	do	
		Tight closing Up and Down	uP do	
		Fast closing Up	Fu	
		Fast closing Down	Fd	
		Fast closing Up and Down	Fu Fd	
		Tight closing Up and fast closing Down	uP Fd	
	Fast closing Up and tight closing Down	Fu do		
40.YCDO	Value for fast closing/tight closing Down		0.0 ... 0.5 ... 100.0	%
41.YCUP	Value for fast closing/tight closing Up		0.0 ... 99.5 ... 100.0	%

8.3 Tabular overview of the parameters

Parameter	Function	Parameter values		Unit
42.BIN1 ²⁾	Digital input function DI1	NO contact	NC contact	
	None	OFF		
	Message only	on	-on	
	Block configuration	bLoc1		
	Block configuring and manual operation	bLoc2		
	Move process valve to YE position	uP	-uP	
	Move process valve to YA position	doWn	-doWn	
	Block movement	StoP	-StoP	
	Partial Stroke Test	PSt	-PSt	
43.BIN2 ²⁾	Digital input function DI2	NO contact	NC contact	
	None	OFF		
	Message only	on	-on	
	Move process valve to YE position	uP	-uP	
	Move process valve to YA position	doWn	-doWn	
	Block movement	StoP	-StoP	
	Partial stroke test	PSt	-PSt	
44.AFCT ³⁾	Alarm function	Normal	Inverted	
	None	OFF		
	A1 = Min, A2 = Max	0000A	0000A	
	A1 = Min, A2 = Min	00000	00000	
	A1 = Max, A2 = Max	0000A	0000A	
45.A1	Response threshold, alarm 1	0.0 ... 10.0 ... 100.0		%
46.A2	Response threshold, alarm 2	0.0 ... 90.0 ... 100.0		%
47. ⁴⁾ FCT ³⁾	Function for fault message output	Normal	Inverted	
	Fault	05000	05000	
	Fault + not automatic ⁴⁾	05nA	05nA	
	Fault + not automatic + DI ⁴⁾	05nAb	05nAb	
48. ⁴⁾ TIM	Monitoring period for setting of fault message 'Control deviation'	Auto / 0 ... 100		s
49. ⁴⁾ LIM	Response threshold of fault message 'Control deviation'	Auto / 0 ... 100		%

Parameter	Function	Parameter values	Unit
50.PRST	Preset		
	Reset all parameters which can be reset by 'Init', 'PArA' and 'diAg'.	ALL	
	Reset initialization parameters '1.YFCT' to '5.INITM'.	Init	
	Reset parameters '6.SCUR' to '49.LIM'.	PArA	
51.PNEUM	Pneumatics type		
	Standard pneumatic block	Std	
	Fail in place pneumatic block	FIP	
	Operation with boosters	booSt	
52.XDIAG	Activation of extended diagnostics		
	Off	OFF	
	Single stage message	On1	
	Two stage message	On2	
	Three stage message	On3	

- 1) Setpoint turning points only appear when '12.SFCT = FrEE' is selected.
- 2) 'Normally closed' means: Operation when a switch is open or Low level
'Normally open' means: Action on switch closed or High level
- 3) 'Normal' means: High level, no fault message
'Inverted' means: Low level, no fault message
- 4) '+' means: Logical OR combination

8.3.3 Overview of advanced diagnostic parameters A to U

Introduction

These parameters are used to set the extended diagnostics functions of the positioner.

Note

Factory setting

Factory-set parameter values are printed in bold in the following table.

8.3 Tabular overview of the parameters

Note

Display

Parameters A to U and their sub-parameters are only displayed when the extended diagnostics has been activated in parameter "52.XDIAG (Page 162)" with setting "On1", "On2" or "On3".

Overview parameter A

Parameter	Function	Parameter values	Unit
A.↳PST	Partial stroke test with the following parameters:		
A1.STPOS	Start position	0.0 ... 100.0	%
A2.STTOL	Start tolerance	0.1 ... 2.0 ... 10.0	%
A3.STRKH	Stroke height	0.1 ... 10.0 ... 100.0	%
A4.STRKD	Stroke direction	uP / do / uP do	
A5.RPMD	Ramp mode	OFF / On	
A6.RPRT	Ramp rate	0.1 ... 1.0 ... 100.0	%/s
A7.FLBH	Response after failed partial stroke test	Auto / HOLd / AirIn / AirOu	
A8.INTRV	Test interval	OFF / 1 ... 365	Days
A9.PSTIN	Reference stroke time for partial stroke test	NOINI / (C)### / FdIni / rEAL	s
AA.FACT1	Factor 1	0.1 ... 1.5 ... 100.0	
Ab.FACT2	Factor 2	0.1 ... 3.0 ... 100.0	
AC.FACT3	Factor 3	0.1 ... 5.0 ... 100.0	

Overview parameter b

Parameter	Function	Parameter values	Unit
b.↳DEVI	Monitoring of dynamic control valve behavior with the following parameters:		
b1.TIM	Time constant	Auto / 1 ... 400	s
b2.LIMIT	Limit	0.1 ... 1.0 ... 100.0	%
b3.FACT1	Factor 1	0.1 ... 5.0 ... 100.0	
b4.FACT2	Factor 2	0.1 ... 10.0 ... 100.0	
b5.FACT3	Factor 3	0.1 ... 15.0 ... 100.0	

Overview parameter C

Parameter	Function	Parameter values	Unit
C.↳LEAK	Monitoring/compensation of pneumatic leakage with the following parameters:		
C1.LIMIT	Limit	0.1 ... 30.0 ... 100.0	%
C2.FACT1	Factor 1	0.1 ... 1.0 ... 100.0	
C3.FACT2	Factor 2	0.1 ... 1.5 ... 100.0	
C4.FACT3	Factor 3	0.1 ... 2.0 ... 100.0	

Overview parameter d

Parameter	Function	Parameter values	Unit
d.↳STIC	Monitoring of stiction (slipstick) with the following parameters:		
d1.LIMIT	Limit	0.1 ... 1.0 ... 100.0	%
d2.FACT1	Factor 1	0.1 ... 2.0 ... 100.0	
d3.FACT2	Factor 2	0.1 ... 5.0 ... 100.0	
d4.FACT3	Factor 3	0.1 ... 10.0 ... 100.0	

Overview parameter E

Parameter	Function	Parameter values	Unit
E.↳DEBA	Monitoring of deadband with the following parameters:		
E1.LEVL3 *)	Threshold	0.1 ... 2.0 ... 10.0	%

*) The values are monitored in the range of '0.1' to '2.9'. Values between '3.0' and '10.0' are not monitored.

Overview parameter F

Parameter	Function	Parameter values	Unit
F.↳ZERO	Monitoring of lower endstop with the following parameters:		
F1.LEVL1	Threshold 1	0.1 ... 1.0 ... 10.0	%
F2.LEVL2	Threshold 2	0.1 ... 2.0 ... 10.0	
F3.LEVL3	Threshold 3	0.1 ... 4.0 ... 10.0	

Overview parameter G

Parameter	Function	Parameter values	Unit
G.↳OPEN	Monitoring of upper endstop with the following parameters:		
G1.LEVL1	Threshold 1	0.1 ... 1.0 ... 10.0	%
G2.LEVL2	Threshold 2	0.1 ... 2.0 ... 10.0	
G3.LEVL3	Threshold 3	0.1 ... 4.0 ... 10.0	

Overview parameter H

Parameter	Function	Parameter values	Unit
H.↳TMIN	Monitoring of lower limit temperature with the following parameters:		
H1.TUNIT	Temperature unit	°C °F	°C/°F
H2.LEVL1	Threshold 1	-40 ... -25 ... 90 -40 ... 194	
H3.LEVL2	Threshold 2	-40 ... -30 ... 90 -40 ... 194	
H4.LEVL3	Threshold 3	-40 ... 90 -40 ... 194	

8.3 Tabular overview of the parameters

Overview parameter J

Parameter	Function	Parameter values		Unit
J.↳TMAX	Monitoring of upper limit temperature with the following parameters:			
J1.TUNIT	Temperature unit	°C	°F	°C/°F
J2.LEVL1	Threshold 1	-40 ... 75 ... 90	-40 ... 194	
J3.LEVL2	Threshold 2	-40 ... 80 ... 90	-40 ... 194	
J4.LEVL3	Threshold 3	-40 ... 90	-40 ... 194	

Overview parameter L

Parameter	Function	Parameter values		Unit
L.↳STRK	Monitoring of number of total strokes with the following parameters:			
L1.LIMIT	Limit	1 ... 1E6 ... 1E8		
L2.FACT1	Factor 1	0.1 ... 1.0 ... 40.0		
L3.FACT2	Factor 2	0.1 ... 2.0 ... 40.0		
L4.FACT3	Factor 3	0.1 ... 5.0 ... 40.0		

Overview parameter O

Parameter	Function	Parameter values		Unit
O.↳DCHG	Monitoring of number of changes in direction with the following parameters:			
O1.LIMIT	Limit	1 ... 1E6 ... 1E8		
O2.FACT1	Factor 1	0.1 ... 1.0 ... 40.0		
O3.FACT2	Factor 2	0.1 ... 2.0 ... 40.0		
O4.FACT3	Factor 3	0.1 ... 5.0 ... 40.0		

Overview parameter P

Parameter	Function	Parameter values		Unit
P.↳PAVG	Monitoring of position average value with the following parameters:			
P1.TBASE	Time basis of average value generation	0.5h / 8h / 5d / 60d / 2.5y		
P2.STATE	Status of monitoring of position average value	ldLE / rEF / ###.# / Strt		
P3.LEVL1	Threshold 1	0.1 ... 2.0 ... 100.0		%
P4.LEVL2	Threshold 2	0.1 ... 5.0 ... 100.0		%
P5.LEVL3	Threshold 3	0.1 ... 10.0 ... 100.0		%

Overview parameter U

Parameter	Function	Parameter values	Unit
U.5PRES	Activate pressure monitoring		
U1.PUNIT	Pressure unit	bar / psi / MPa	
U2.PZLIM	Low limit of the supply pressure (PZLIM)	1.4 ... 7.0	bar
		20.30 ... 101.52	psi
		0.140 ... 0.700	MPa
U3.PZHYS	Hysteresis of the low limit of the supply pressure	0.2 ... 1.0	bar
		2.90 ... 14.50	psi
		0.020 ... 0.100	MPa
U4.PZ_FR	Error response on undershoot of the supply pressure	cont / HOLd	

8.4 Description of parameters

8.4.1 Initialization parameters 1 to 5

8.4.1.1 '1.YFCT' type of actuator

Requirement:	Type of actuator as well as mounting type and direction of action are known.	
Possible settings:	Actuator with normal direction of action <ul style="list-style-type: none"> • turn • WAY • FWAY • LWAY • ncSt • ncSL • ncSLL 	Actuator with inverted direction of action <ul style="list-style-type: none"> • -turn • -WAY • -FWAY • -LWAY • -ncSt • -ncSL • -ncLL
Purpose:	Use this parameter to adjust the positioner to the respective actuator. <ul style="list-style-type: none"> • turn/-turn: Use this setting for a part-turn actuator with a directly mounted positioner. • WAY/-WAY: Use this setting. <ul style="list-style-type: none"> – For a linear actuator with a carrier pin mounted on the lever – In conjunction with devices which use an internal potentiometer 	

- FWAY/-FWAY: Use this setting.
 - For a linear actuator with a carrier pin mounted on the actuator spindle
 - In conjunction with devices which use an internal potentiometer
- LWAY/-LWAY: Use this setting for an external linear potentiometer on a linear actuator (e.g. with cylinder drives).
- ncSt/-ncSt: Use this setting for a part-turn actuator for:
 - An NCS sensor 6DR4004-. N.10 and -.N.40
 - A positioner 6DR5...-0..9.-....- L1A with internal NCS module
 - A positioner 6DR59* with accessory NCS module 6DR4004-5L/-5LE
 - Position Transmitter 6DR4004-2ES, -3ES and -4ES
- ncSL/-ncSL: Use this setting for an NCS sensor 6DR4004-.N.20 on a linear actuator for strokes < 14 mm (0.55 inch).
- ncSLL/-ncLL: Use this setting for a linear actuator for:
 - An NCS sensor 6DR4004-.N.30 for strokes > 14 mm (0.55 inch).
 - A positioner 6DR5...-0..9.-....- L1A with internal NCS module
 - A positioner 6DR59* with accessory NCS module 6DR4004-5L/-5LE
 - Position Transmitter 6DR4004-2ES, -3ES and -4ES

In the case of actuators with inverted direction of action, use the settings with the minus sign, e.g. -turn.

Description:

Meaning of actuator with normal direction of action:

- Part-turn actuator closes when the drive shaft, positioner shaft or magnet of the NCS sensor rotates in the **clockwise** direction.
- Linear actuator closes when the actuator spindle moves downwards and the positioner shaft or magnet of the NCS sensor rotates in the **anti-clockwise** direction.

Meaning for actuator with inverted direction of action:

- Part-turn actuator closes when the drive shaft, positioner shaft or magnet of the NCS sensor rotates in the **anti-clockwise** direction.
- Linear actuator closes when the actuator spindle moves upwards and the positioner shaft or magnet of the NCS sensor rotates **clockwise**.

Additional information:

- The '3.YWAY' Range of stroke (Page 145) parameter is displayed only for 'WAY', '-WAY', 'ncSLL' or '-ncLL'.
- turn/-turn: The '2.YAGL' Rated angle of rotation of feedback (Page 145) parameter is automatically set to 90° and cannot be changed.

- WAY/-WAY: The positioner compensates the non-linearity. The non-linearity is caused by the transformation of the linear movement of the linear actuator into the rotary movement of the positioner shaft. For correct compensation, follow the instructions in section "Preparing linear actuators for commissioning (Page 117)".

Factory setting: WAY

8.4.1.2 '2.YAGL' Rated angle of rotation of feedback

Condition: Transmission ratio selector and the value set in the '2.YAGL' parameter match. Only then does the value shown on the display match the actual position.

Possible settings:

- 33°
- 90°

Purpose: Use this parameter for a linear actuator. For a linear actuator, set an angle of 33° or 90° depending on the range of stroke. The current setting of the actuator is then measured more accurately. The following is applicable:

- 33°: Strokes ≤ 20 mm
- 90°: Strokes 25 mm to 35 mm
- 90°: Strokes > 40 mm to 130 mm

Use the mounting kit:

- 6DR4004-8V for strokes up to 35 mm
- 6DR4004-8L for strokes greater than 35 mm up to 130 mm

'2.YAGL' can only be adjusted if '1.YFCT' is set to 'WAY'/'-WAY' or 'FWAY'/'-FWAY'.

With all other settings of '1.YFCT', an angle of 90° is automatically set for '2.YAGL'.

Factory setting: 33°

See also

Sequence of automatic initialization (Page 109)

8.4.1.3 '3.YWAY' Range of stroke

Condition:

- Positioner is mounted.
- Carrier pin is mounted on the lever in accordance with the actuator's range of stroke as described in section Mounting to linear actuator (Page 40).

Possible settings:

- OFF
- 5.0 | 10.0 | 15.0 | 20.0 | 25.0 | 30.0 | 35.0 | 40.0 | 50.0 | 60.0 | 70.0 | 90.0 | 110.0 | 130.0

8.4 Description of parameters

Purpose: Use this parameter to display the determined stroke value in mm when initialization of a linear actuator has been completed.
If you select the 'OFF' setting, the real stroke is not displayed after initialization.
From the possible settings shown above, select the value which corresponds to the range of stroke of your actuator in mm.
If the range of stroke of the actuator does not correspond to a possible setting, use the next higher value. Use the value specified on the nameplate of the actuator for this purpose.
'3.YWAY' is only displayed if '1.YFCT' is set to 'WAY'/'-WAY' or 'ncSLL'/'-ncLL'.

Factory setting: OFF

See also


'1.YFCT' type of actuator (Page 143)

8.4.1.4 '4.INITA' Initialization (automatic)

Possible settings:

- NOINI
- no / ###.#
- Strt

Purpose: Use this parameter to start the automatic initialization process.

1. Select the "Strt" setting.
2. Then press the  button for at least 5 seconds.

The sequence of the initialization process from "RUN 1" to "RUN 5" is output in the bottom line of the display.


Factory setting: NOINI


8.4.1.5 '5.INITM' Initialization (manual)

Possible settings:

- NOINI
- no / ###.#
- Strt

Purpose: Use this parameter to start the manual initialization process.

1. Select the "Strt" setting.
2. Then press the  button for at least 5 seconds.

Description: If the positioner has already been initialized and if the "4.INITA" and "5.INITM" values are set, it is possible to reset the positioner to the non-initialized status. To do this, press the  button for at least 5 seconds.

Factory setting: NOINI

8.4.2 Application parameters 6 to 52

8.4.2.1 '6.SCUR' Current range of setpoint

Requirement:	<ul style="list-style-type: none">You have a positioner in the 2-wire, 3-wire, 4-wire version.Positioner is connected in accordance with the connection graphics for 2/3/4-wire systems shown in section "Electrical wiring (Page 79)".
Possible settings:	<ul style="list-style-type: none">0 MA4 MA
Purpose:	This parameter is used to set the current range of the setpoint. The selection of the current range depends on the type of connection. The "0 MA" setting (0 to 20 mA) is only possible for three-wire and four-wire connections.
Factory setting:	4 MA

8.4.2.2 '7.SDIR' Setpoint direction

Possible settings:	<ul style="list-style-type: none">riSEFALL
Purpose:	This parameter is used to set the setpoint direction. The setpoint direction is used to reverse the direction of action of the setpoint. <ul style="list-style-type: none">Rising (riSE): A higher value at the setpoint input results in opening of the valve.Falling (FALL): A higher value at the setpoint input results in closing of the valve. The setpoint direction is primarily used for the split-range mode and for single-acting actuators with the safety setting 'uP'.
Factory setting:	riSE

8.4.2.3 '8.SPRA' Setpoint split range start / '9.SPRE' Setpoint split range start end

Adjustment range:	0.0 ... 100.0
Purpose:	With these two parameters in combination with parameter "'7.SDIR' Setpoint direction (Page 147)", you can limit the effective setpoint. Solve split-range tasks with the following characteristic curves: <ul style="list-style-type: none">Rising/fallingFalling/risingFalling/fallingRising/rising
Factory setting:	With "SPRA": 0.0 With "SPRE": 100.0

8.4 Description of parameters

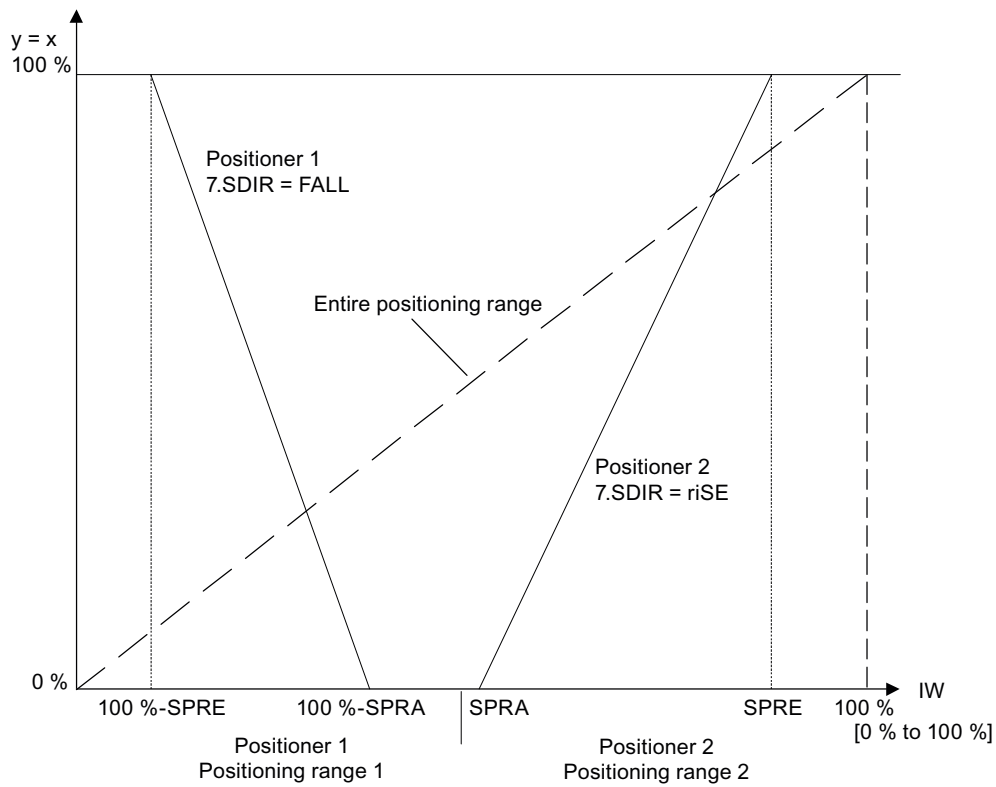


Figure 8-2 Example: Split-range operation with 2 positioners

8.4.2.4 '10.TSUP' Setpoint ramp UP / '11.TSDO' Setpoint ramp DOWN

Possible settings:

With "TSUP"

- Auto
- 0 ... 400

With "TSDO"

- 0 ... 400

Purpose:

The setpoint ramp is effective in "Automatic" mode and limits the speed of change of the effective setpoint. The parameter specifies the duration in seconds that the positioner needs to move the stroke from 0 to 100%. Example: If "TSUP" = 10 is set, the positioner needs 10 s to move the stroke from 0 to 100% and 1 s to move the stroke from 0 to 10%.

When switching over from "Manual" mode to "Automatic" mode, the setpoint ramp is used to adjust the effective setpoint to the setpoint of the positioner.

This smooth switching from "Manual" mode to "Automatic" mode prevents pressure excess in long pipelines.

The "TSUP = Auto" parameter means that the slower of the two actuating times determined during initialization is used for the setpoint ramp. Parameter value "TSDO" then has no effect.

Factory setting:

0

8.4.2.5 '12.SFCT' Setpoint function

- Possible settings:
- Lin
 - 1 - 25
 - 1 - 33
 - 1 - 50
 - n1 - 25
 - n1 - 33
 - n1 - 50
 - FrEE

Purpose: This parameter is used to linearize nonlinear process valve characteristics. Optional flow characteristics as shown in the figure in the '13.SL0' ... '33.SL20' Setpoint turning point (Page 149) parameter description are simulated for linear process valve characteristics.

Factory setting: Lin

Seven process valve characteristics are stored in the positioner and are selected using the 'SFCT' parameter:

Process valve characteristic		Set with parameter value
Linear		Lin
Equal percentage	1:25	1-25
Equal percentage	1:33	1-33
Equal percentage	1:50	1-50
Inverse equal percentage	25:1	n1-25
Inverse equal percentage	33:1	n1-33
Inverse equal percentage	50:1	n1-50
Freely adjustable		FrEE

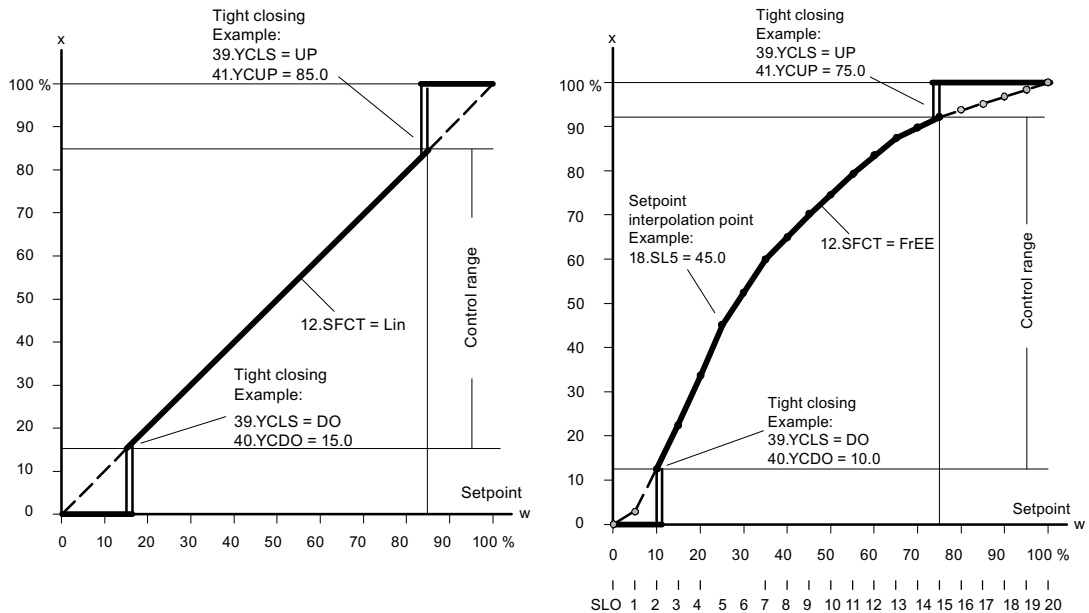
8.4.2.6 '13.SL0' ... '33.SL20' Setpoint turning point

Setting range: 0.0 ... 100.0

Purpose: These parameters are used to assign a flow coefficient in units of 5% to each setpoint turning point. The setpoint breakpoints form a polyline with 20 linear segments which models the process valve characteristic; see figure below.

Factory setting: "0", "5" ... "95", "100"

8.4 Description of parameters



Setpoint characteristic curves, standardization of manipulated variables, and tight closing function

Input of the setpoint turning points is only possible if the "'12.SFCT' Setpoint function (Page 149)" parameter is set to "FrEE". You can only enter one monotone rising characteristic curve and two consecutive interpolation points must differ by at least 0.2%.

8.4.2.7 '34.DEBA' Deadband of closed-loop controller

- Possible settings:
 - Auto
 - 0.1 ... 10.0
- Purpose:

This parameter is used with the "Auto" setting to adjust the deadband in automatic mode continually and adaptively to the requirements of the control loop. If a regulator oscillation is detected, then the deadband is incrementally enlarged. The reverse adaptation takes place using a time criterion.

The deadband is set using the values 0.1 to 10.0. The value is given in percent. Control oscillations can then be suppressed. The smaller the deadband, the better the control accuracy.
- Factory setting:

Auto

8.4.2.8 '35.YA' Start of manipulated variable limit / '36.YE' End of manipulated variable limit

Setting range:	0.0 ... 100.0
Purpose:	<p>These parameters are used to limit the mechanical actuator travel from stop to stop to the configured values. The value is given in percent. This allows the mechanical travel range of the actuator to be limited to the effective flow, preventing integral saturation of the controlling closed-loop controller.</p> <p>See the figure in the description of the '37.YNRM' Standardization of manipulated variable (Page 151) parameter.</p> <p>'Dead angle' function</p> <p>The dead angle is the angle range in which the process valve allows no flow. The dead angle range starts at the lower endstop of the valve, for example, and ends at the angle at which the medium begins to flow. Use this function if you want to use the entire signal range for valve control (for example, 4 mA to 20 mA).</p> <p>To now use the entire signal range for process valve control, set the lower manipulated variable limit (YA) to the percentage value at which the medium begins to flow.</p> <p>To display the new initial value as 0%, set '37.YNRM' Standardization of manipulated variable (Page 151) to 'FlOw'.</p>
Factory setting:	When 'YA': 0.0 When 'YE': 100.0

Note

'YE' must always be set larger than 'YA'.

8.4.2.9 '37.YNRM' Standardization of manipulated variable

Possible settings:	<ul style="list-style-type: none">● MPOS● FLoW
Purpose:	<p>Use the '35.YA' Start of manipulated variable limit / '36.YE' End of manipulated variable limit (Page 151) parameters to limit the manipulated variable. This limitation causes two different scaling types 'MPOS' and 'FLoW' for the display and for the position feedback through the current output.</p> <p>The MPOS scale shows the mechanical positions from 0% to 100% between the upper and lower endstops of the initialization. The position is not influenced by the '35.YA' Start of manipulated variable limit / '36.YE' End of manipulated variable limit (Page 151) parameters. The 'YA' and 'YE' parameters are shown in the MPOS scale.</p>

8.4 Description of parameters

The FLoW scale is the standardization from 0% to 100% in the range between the 'YA' and 'YE' parameters. Over this range, the setpoint w is also always 0% to 100%. This results in a more or less flow-proportional display and position feedback. The flow-proportional display and position feedback also results from the use of process valve characteristics.

In order to calculate the control deviation, the setpoint in the display is also shown in the corresponding scale.

Below, the example of an 80-mm linear actuator is used to illustrate the dependence of the stroke on the scaling as well as on the 'YA' and 'YE' scaling parameters; see the following figure.

Factory setting:

MPOS

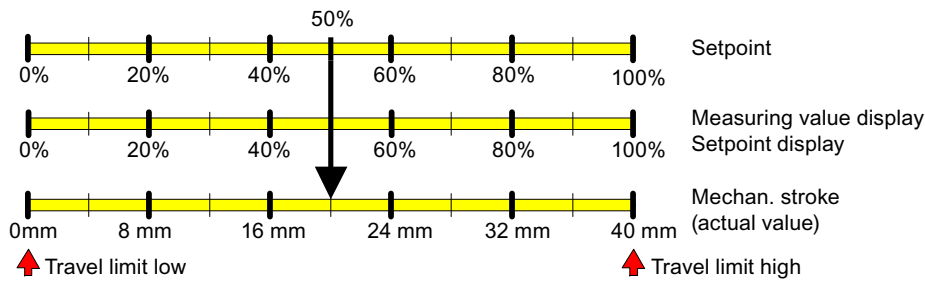


Figure 8-3 YNRM = MPOS or YNRM = FLoW; default: YA = 0 % and YE = 100 %

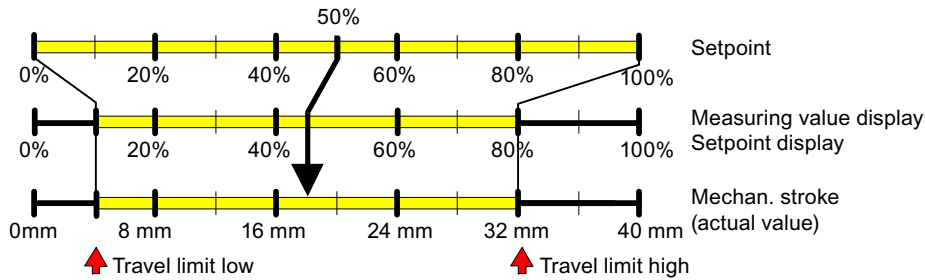


Figure 8-4 Example: YNRM = MPOS with YA = 10 % and YE = 80 %

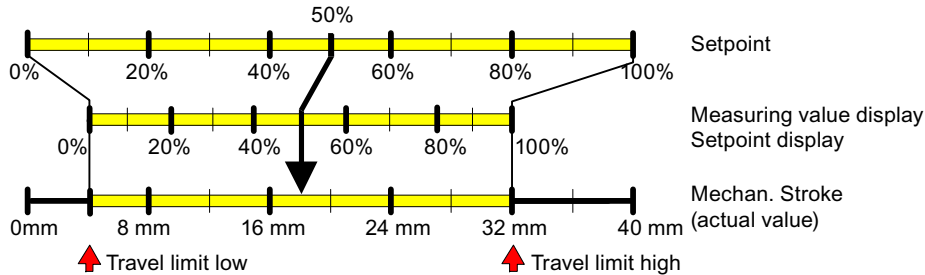


Figure 8-5 Example: YNRM = FLoW with YA = 10 % and YE = 80 %

See also

'39.YCLS' Tight closing/fast closing with manipulated variable (Page 153)

8.4.2.10 '38.YDIR' Direction of manipulated variable for display and position feedback

Possible settings: • riSE
 • FALL

Purpose: This parameter is used to set the direction of action of the display and the position feedback. The direction is rising or falling.

Factory setting: riSE

8.4.2.11 '39.YCLS' Tight closing/fast closing with manipulated variable

Possible settings: no None
 uP Tight closing Up
 do Tight closing Down
 uP do Tight closing Up and Down
 Fu Fast closing Up
 Fd Fast closing Down
 Fu Fd Fast closing Up and Down
 uP Fd Tight closing Up and fast closing Down
 Fu do Fast closing Up and tight closing Down

Purpose: This parameter is used to drive the control valve to the endstops. If the parameter is not activated, the control valve controls the two endstops which were determined during the initialization.

 With tight closing, the control valve requires longer to leave the endstops. With fast closing, the endstops of the control valve are left immediately.

 The tight closing and fast closing functions are activated on one side or for both endstops. Parameter 'YCLS' becomes effective if the effective setpoint:

- Is at or below the value set in the '40.YCDO' Value for tight closing/fast closing Down (Page 154)' parameter.
- Is at or above the value set in the '41.YCUP' Value for tight closing/fast closing Up (Page 154)' parameter.

Factory setting: no

8.4 Description of parameters

See the figure in the description of the '37.YNRM' Standardization of manipulated variable (Page 151) parameter and the figure in the description of the '13.SL0' ... '33.SL20' Setpoint turning point (Page 149) parameters.

Note

Activated tight closing/fast closing function

If the function is activated, then the monitoring of control deviation is turned off in the respective overflow direction for the "49.LIM" Response threshold of fault message 'Control deviation' (Page 159) parameter. The following applies: 'YCDO: < 0 %' and 'YCUP: > 100 %'. This functionality is especially advantageous for valves with lining. For long-term monitoring of the positions of the endstops, we recommend that you activate the 'F.LZERO' and 'G.LOPEN' parameters.

8.4.2.12 '40.YCDO' Value for tight closing/fast closing Down

Requirement:	'39.YCLS' Tight closing/fast closing with manipulated variable (Page 153) Parameter is set to 'do', 'uP do', 'Fd', 'Fu Fd', 'uP Fd' or 'Fu do'
Adjustment range:	0.0 ... 100.0
Purpose:	Use the 'YCDO' parameter to set the value as of which the "Tight closing/fast closing Down" function is activated. If the effective setpoint is at or below the value set here, the actuator moves in tight closing Down or fast closing Down.
Factory setting:	0.5

Note

The value in the 'YCDO' parameter is always smaller than that in 'YCUP'. The tight closing/fast closing function has a fixed hysteresis of 1%. The 'YCDO' parameter is relative to the mechanical stops. The 'YCDO' is independent of the values set in the '7.SDIR' Setpoint direction (Page 147) and '38.YDIR' Direction of manipulated variable for display and position feedback (Page 153) parameters.

8.4.2.13 '41.YCUP' Value for tight closing/fast closing Up

Requirement:	'39.YCLS' Tight closing/fast closing with manipulated variable (Page 153) Parameter is set to 'do', 'uP do', 'Fd', 'Fu Fd', 'uP Fd' or 'Fu do'
Adjustment range:	0.0 ... 100.0
Purpose:	Use the 'YCUP' parameter to set the value as of which the tight closing Up or fast closing Up is activated. If the effective setpoint is at or above the value set here, the actuator moves in tight closing Up or fast closing Up.
Factory setting:	99.5

Note

The value in the 'YCDO' parameter is always smaller than that in 'YCUP'. The tight closing/fast closing function has a fixed hysteresis of 1%. The 'YCUP' parameter is relative to the mechanical stops. The 'YCUP' is independent of the values set in the '7.SDIR' Setpoint direction (Page 147) and '38.YDIR' Direction of manipulated variable for display and position feedback (Page 153) parameters.


8.4.2.14 '42.BIN1' / '43.BIN2' digital input function

Setting option	<ul style="list-style-type: none"> • Digital input DI1 <table border="0" style="width: 100%;"> <tr> <td style="width: 50%;">NO contact</td> <td style="width: 50%;">NC contact</td> </tr> <tr> <td>OFF</td> <td>OFF</td> </tr> <tr> <td>on</td> <td>-on</td> </tr> <tr> <td>bloc1</td> <td>-uP</td> </tr> <tr> <td>bloc2</td> <td>-doWn</td> </tr> <tr> <td>uP</td> <td>-StoP</td> </tr> <tr> <td>doWn</td> <td>-PST</td> </tr> <tr> <td>StoP</td> <td></td> </tr> <tr> <td>PST</td> <td></td> </tr> </table> <ul style="list-style-type: none"> • Digital input DI2 <table border="0" style="width: 100%;"> <tr> <td style="width: 50%;">NO contact</td> <td style="width: 50%;">NC contact</td> </tr> <tr> <td>OFF</td> <td>OFF</td> </tr> <tr> <td>on</td> <td>-on</td> </tr> <tr> <td>uP</td> <td>-uP</td> </tr> <tr> <td>doWn</td> <td>-doWn</td> </tr> <tr> <td>StoP</td> <td>-StoP</td> </tr> <tr> <td>PST</td> <td>-PST</td> </tr> </table>	NO contact	NC contact	OFF	OFF	on	-on	bloc1	-uP	bloc2	-doWn	uP	-StoP	doWn	-PST	StoP		PST		NO contact	NC contact	OFF	OFF	on	-on	uP	-uP	doWn	-doWn	StoP	-StoP	PST	-PST
NO contact	NC contact																																
OFF	OFF																																
on	-on																																
bloc1	-uP																																
bloc2	-doWn																																
uP	-StoP																																
doWn	-PST																																
StoP																																	
PST																																	
NO contact	NC contact																																
OFF	OFF																																
on	-on																																
uP	-uP																																
doWn	-doWn																																
StoP	-StoP																																
PST	-PST																																

Purpose: These parameters determine the function of the digital inputs. The possible functions are described below. The direction of action can be adapted to a normally closed or normally open mode.

- BIN1 or BIN2 = On or -On
Digital messages from I/O devices, e.g. from pressure or temperature switches, are read out over the communication interface or result in a response from the fault message output through an OR logic operation with other messages.
- BIN1 = bLoc1
Use this parameter value to interlock the "Configuration" mode against adjustment. The lock is performed e.g. with a jumper between terminals 9 and 10.
- BIN1 = bLoc2
If the DI1 digital input has been activated, 'Manual' mode is blocked in addition to "Configuration" mode.

8.4 Description of parameters

- BIN1 or BIN2 =
Contact uP or doWn closes or
Contact -uP or -doWn opens
If the digital input is activated, the actuator uses the value defined by the "'35.YA' Start of manipulated variable limit / '36.YE' End of manipulated variable limit (Page 151)" parameter for controlling in 'Automatic' mode.
- BIN1 or BIN2 =
Contact StoP closes or
Contact -StoP opens
When the digital input is activated, controlling the pneumatic block is blocked in "Automatic" mode. The actuator remains at the last position. Leakage measurements can be performed in this way without using the initialization function.
- BIN1 or BIN2 = PSt or -PSt
Using the digital input DI1 or DI2, a partial stroke test can be triggered by actuation of either a normally closed or normally open contact.
- BIN1 or BIN2 = OFF
No function
Special function of digital input DI1: If digital input DI1 is activated in 'P-manual mode' by means of a jumper between terminals 9 and 10, the firmware version will be displayed when the  button is pressed.

If one of the above functions is activated simultaneously with the "BIN1" and "BIN2" parameters, then: "Blocking" has priority over "uP". "uP" has priority over "doWn". "doWn" has priority over "PST".

Factory setting: OFF

8.4.2.15 '44.AFCT' Alarm function

Possible settings: See corresponding representation below

Purpose: This parameter can be used to determine the value at which going above or below a given offset or angle will result in a message. The triggering of alarms (limits) is relative to the MPOS scale. Alarms are signaled through the Digital I/O Module (DIO). In addition, alarms can also be read via the communication interface.

The direction of action of the digital outputs can be adjusted from "High active" to "Low active" for the next systems.

Factory setting: OFF

Direction of action and hysteresis			
		Digital I/O Module (DIO)	
	Examples	A1	A2
	A1 = 48	AFCT = MIN / MAX	
	A2 = 52	AFCT = MIN / MAX	
	Way =45	Active	
	Way =50		
	Way =55		Active
	A1 = 48	AFCT = -MIN / -MAX	
	A2 = 52	AFCT = -MIN / -MAX	
	Way =45		Active
	Way =50	Active	Active
	Way =55	Active	
	A1 = 52	AFCT = MIN / MAX	
	A2 = 48	AFCT = MIN / MAX	
Way =45	Active		
Way =50	Active	Active	
Way =55		Active	
A1 = 52	AFCT = -MIN / -MAX		
A2 = 48	AFCT = -MIN / -MAX		
Way =45		Active	
Way =50			
Way =55	Active		

Note

If extended diagnostics is activated using parameter "'52.XDIAG' Activating for extended diagnostics (Page 162)" with setting "On3", then the alarms are not output through the Digital I/O Module (DIO). Alarm A1 is output with setting "On2". However, notification via the communication interface is possible at any time.

8.4.2.16 '45.A1' / '46.A2' Response threshold of alarm

Adjustment range: 0.0 ... 100.0

Purpose: These parameters are used to specify when an alarm should be displayed. The response thresholds of the alarms (in percent) refer to the MPOS scale in the '37.YNRM' Standardization of manipulated variable (Page 151) parameter. The MPOS scale corresponds to the mechanical travel.

Depending on the setting of the alarm function in the '44.AFCT' Alarm function (Page 156) parameter, the alarm is triggered upon an upward violation (Max) or downward violation (Min) of this response threshold.

Factory setting: With 'A1': 10.0 With 'A2': 90.0

8.4.2.17 '47.FCT' Function of the fault message output

Requirement: At least one of the following modules is fitted

- Digital I/O Module (DIO)
- Inductive Limit Switches (ILS)
- Mechanic Limit Switches (MLS)

Possible settings:

Normal direction of action	Inverted direction of action
• 1	• -1
• 1nA	• -1nA
• 1nAb	• -1nAb

Purpose: The fault message in the form of monitoring of control deviation over time is also triggered by the following events:

- Power failure
- Processor fault
- Actuator fault
- Process valve fault
- Failure of supply pressure PZ
- Threshold 3 message of extended diagnostics
See Parameter '52.XDIAG' Activating for extended diagnostics (Page 162).

The fault message cannot be switched off, but it can be suppressed (factory setting) when you exit 'Automatic' mode. Set the 'FCT' parameter to '1nA' to also generate a fault message here.

You also have an option to "or" the fault message with the status of the digital inputs. To do this, first set the '42.BIN1' / '43.BIN2' digital input function (Page 155) parameter to 'on' or '-on'. Subsequently set the 'FCT' parameter to '1nAb'.

Select the '-1' setting if you want the fault message to be output with inverted direction of action.

Factory setting: 1

8.4.2.18 '48.\TIM' Monitoring period for setting of fault message 'Control deviation'

Possible settings:	<ul style="list-style-type: none">• Auto• 0 ... 100
Purpose:	The 'TIM' parameter is used to set the time in seconds within which the positioner must have reached the regulated condition. The corresponding response threshold is specified in the parameter. When the configured time is exceeded, the fault message output is set.
Factory setting:	Auto

Note

Activated tight closing/fast closing function

If the function is activated, then for the 'LIM' parameter the monitoring of control deviation is turned off in the appropriate overflow direction. The following applies: 'YCDO: < 0 %' and 'YCUP: > 100 %'. This functionality is especially advantageous for valves with lining. For long-term monitoring of the end positions, we recommend that you activate the 'F.LZERO' and 'G.LOPEN' parameters.

8.4.2.19 '49.\LIM' Response threshold of fault message 'Control deviation'

Possible settings:	<ul style="list-style-type: none">• Auto• 0 ... 100
Purpose:	This 'LIM' parameter is used to set a value for the permissible size of the control deviation to trigger a fault message. The value is given in percent. If the 'TIM' and 'LIM' parameters are set to 'Auto', then the fault message is set if the slow step zone is not reached within a certain period of time. Within 5 to 95% of the actuator travel, this time is twice the initialization travel time, and ten times the initialization travel time outside of 10 to 90%.
Factory setting:	Auto

Note

Activated tight closing/fast closing function

If the function is activated, then for the 'LIM' parameter the monitoring of control deviation is turned off in the appropriate overflow direction. The following applies: 'YCDO: < 0 %' and 'YCUP: > 100 %'. This functionality is especially advantageous for valves with lining. For long-term monitoring of the end positions, we recommend that you activate the 'F.LZERO' and 'G.LOPEN' parameters.

8.4.2.20 '50.PRST' Preset

Possible settings:

- ALL
- Init
- PArA
- diAg

Purpose:

Use this parameter to restore the factory settings for most parameters. The following parameter groups are available:

- ALL: Reset all parameters together which can be reset by 'Init', 'PArA' and 'diAg'.
- Init: Reset initialization parameters '1.YFCT' to '5.INITM'.
- PArA: Reset application parameters '6.SCUR' Current range of setpoint (Page 147) to '49.\LIM' Response threshold of fault message 'Control deviation' (Page 159).
- diAg: Resetting the extended diagnostic parameters A to U (Page 163) as well as parameter '52.XDIAG' Activating for extended diagnostics (Page 162).

An overview of the parameters and factory settings can be found in section Tabular overview of the parameters (Page 135).

In order to select one of the parameter groups listed above, repeatedly press the ▾ button until the desired setting is output in the display. Start the function by keeping the ▲ button pressed until 'oCAY' is output in the display. The values of the parameter group are now the factory settings.

Description:

If you wish to use a previously initialized positioner on a different control valve, set the parameters to the factory settings prior to a new initialization. To do this, use the 'ALL' or 'Init' setting.

Restore the factory settings if you have changed several parameters at once without being able to predict their effect and the undesired reactions which may occur as a result. To do this, use the 'ALL' setting.

Factory setting:

ALL

See also

Display of diagnostics values (Page 212)


8.4.2.21 '51.PNEUM' Pneumatics type

Requirements:

FIP You have a positioner with the "Fail in place" function with order suffix -Z, order code F01.

Possible settings:

booSt You operate the positioner with a booster.
Std Standard pneumatic block
FIP Fail in place pneumatic block
booSt Operation with boosters

Purpose:	Start the function by pressing the  button for at least 5 seconds. The display shows 'WAit' during these 5 seconds. Set the desired function after 5 seconds.
Std	Setting for a standard pneumatic block
FIP	If you order a positioner for Fail in Place applications, it is then equipped with a special pneumatic block. The "PNEUM" parameter is preset to "FIP". The parameter must be set to "FIP" again when the basic electronics are replaced.
booSt	Use this function if you operate the positioner with a booster. This function then shows the actuator overshoot. You can find a description of how to operate the booster under Booster (Page 301).

8.4.2.22 '52.XDIAG' Activating for extended diagnostics

Use this parameter to activate the extended diagnostics functions and simultaneously the online diagnostics. You also define which maintenance level is to be signaled. Maintenance levels in the order of increasing importance are maintenance required, maintenance demanded, maintenance alarm. At the factory, extended diagnostics are deactivated. 'XDIAG' parameter is set to 'OFF'. To activate extended diagnostics, there are three modes available:

- On1: Extended diagnostics is activated. Threshold 3 messages will be output via the error message output. Single stage message (maintenance alarm).
- On2: Extended diagnostics is activated. Threshold 2 messages will be activated via alarm output 2. Threshold 3 messages will also be output via the error message output. Two-stage message (maintenance demanded, maintenance alarm).
- On3: Extended diagnostics is activated. Threshold 1 messages will be activated via alarm output 1. Threshold 2 messages will be activated via alarm output 2. Threshold 3 messages will also be output via the error message output. Three-stage message (maintenance required, maintenance demanded, maintenance alarm).

Note

Activation of extended diagnostics

Please note that the parameters of extended diagnostics from 'A.\\PST' to 'U.\\PRES' will only be shown in the display following selection of one of the modes 'On1' to 'On3'.

In the factory settings, the parameters 'A.\\PST' to 'U.\\PRES' are deactivated by default. 'XDIAG' parameter is set to 'OFF'. The corresponding parameters are only displayed after you have activated the appropriate menu item with 'On'.

Note

Cancellation of messages

If a threshold is exceeded or fallen below, the positioner outputs a message in the form of an error code and a column in the display. The message is cancelled if, for example:

- The counter is reset.
- The threshold is set to a new value.
- The device is re-initialized at the upper and lower endstops.
- Monitoring is deactivated.

With extended diagnostics, the threshold of the message is displayed using columns ① in addition to the error code ② (Overview of error codes (Page 229)). These columns ① and the error code ② are shown on the display as follows:

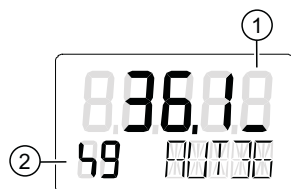


Figure 8-6 Display of a threshold 1 error message with one column (maintenance required)

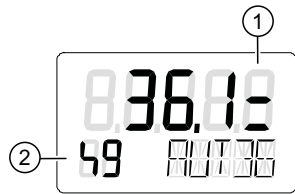


Figure 8-7 Display of a threshold 2 error message with two columns (maintenance demanded)

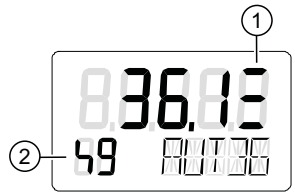


Figure 8-8 Display of a threshold 3 error message with three columns (maintenance alarm)

The factory setting is 'OFF'.

8.4.3 Advanced diagnostic parameters A to U

8.4.3.1 Partial stroke test 'A.\PST'

A.\PST - Partial Stroke Test

Requirement:	The parameter "52.XDIAG (Page 162)" is set to "On1", "On2" or "On3".
Possible settings:	<ul style="list-style-type: none">• OFF• On
Purpose:	Use this parameter to activate and deactivate the partial stroke test. To activate monitoring, assign the parameter value "On". Sub-parameters are displayed. Trigger the partial stroke test using: <ul style="list-style-type: none">• Buttons on the device• A digital input• Communication• A cyclic test interval The current status of the partial stroke test is displayed in the diagnostic value "12.PST (Page 218)". Diagnostic value "13.PRPST (Page 219)" and "14.NXPST (Page 219)" provide additional information on the partial stroke test.
Factory setting:	OFF

A1.STPOS - Start position

Setting range:	0.0 ... 100.0
Purpose:	Use this sub-parameter to define the start position of the partial stroke test in percent. Set the start position in a range from "0.0" to "100.0". The triggering of alarms (limits) is relative to the MPOS scale. The actuator moves during the partial stroke test from the start position to the target position. The target position is determined from the interaction between start position (A1.STPOS), stroke height (A3.STRKH) and stroke direction (A4.STRKD).
Factory setting:	100.0

A2.STTOL - Start tolerance

Setting range:	0.1 ... 10.0
Purpose:	Use this sub-parameter to assign the start tolerance of the Partial Stroke Test in percent. Enter the start tolerance relative to the start position in a range from "0.1" to "10.0".
Example:	You have set "50.0" as start position and "2.0" as start tolerance. In this case, a Partial Stroke Test is initiated during operation only between a position of 48% and 52%.
Factory setting:	2.0

A3.STRKH - Stroke height

Setting range:	0.1 ... 100.0
Purpose:	Use this sub-parameter to assign the stroke height of the Partial Stroke Test in percent. Set the stroke height in a range from "0.1" to "100.0".
Factory setting:	10.0

A4.STRKD - Stroke direction

Possible settings:	<ul style="list-style-type: none">• uP• do• uP do
Purpose:	Use this sub-parameter to assign the stroke direction of the Partial Stroke Test. uP: Actuator only moves upward <ul style="list-style-type: none">• The actuator moves from its start position to the upper target position.• After reaching the upper target position, the actuator moves back to the start position.

Formula (uP):	Upper target position = Start position (A1.STPOS) ± Start tolerance (A2.STTOL) + Stroke height (A3.STRKH) do: Actuator only moves downward <ul style="list-style-type: none"> • The actuator moves from its start position to the lower target position. • After reaching the lower target position, the actuator moves back to the start position.
Formula (do):	Low target position = Start position (A1.STPOS) ± Start tolerance (A2.STTOL) - Stroke height (A3.STRKH) uP do: Actuator moves upwards and downwards <ul style="list-style-type: none"> • The actuator first moves from its start position to the upper target position. • It then moves from the upper target position to the lower target position. • After reaching the lower target position, the actuator moves back to the start position.
Formula (uP do)	Target position = Start position (A1.STPOS) ± Start tolerance (A2.STTOL) ± Stroke height (A3.STRKH)
Factory setting:	do

A5.RPMD - Ramp mode

Setting options:	<ul style="list-style-type: none"> • OFF • On
Purpose:	<p>Enable or disable ramp mode.</p> <ul style="list-style-type: none"> • OFF: The partial stroke test is executed in an uncontrolled manner. • On: The Partial Stroke Test is executed in a controlled manner. The positioner controls according to the ramp rate set in parameter "A6.RPRT". <p>Use ramp mode to shorten or extend the duration of the Partial Stroke Test. Extend the Partial Stroke Test to give the higher-level control loop a chance to react to the Partial Stroke Test.</p>
Factory setting:	OFF

A6.RPRT - Ramp rate

Setting range:	0.1 ... 100.0
Purpose:	<p>Change the ramp rate to shorten or extend the duration of the partial stroke test. The ramp rate refers to the total stroke of the control valve and is set in % stroke per second (%/s). Smaller values extend the duration, larger values shorten the duration of the Partial Stroke Test. Example: Setting "10.0" means that the Partial Stroke Test is run with 10% stroke per second.</p>
Factory setting:	1.0

A7.FLBH - Response after failed partial stroke test

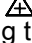
Setting options:	<ul style="list-style-type: none">• Auto• HOLd• AirIn• AirOu
Purpose:	Assign how the positioner is to respond if a partial stroke test fails. Note: A Partial Stroke Test fails if the limit threshold assigned in "Factor 3 (AC.FACT3)" is exceeded. <ul style="list-style-type: none">• Auto: Switch to "Automatic" mode. "AUT" is displayed on the device.• HOLd: Hold current position.• AirIn: Ventilate actuator with supply pressure PZ.• AirOu: Depressurize actuator.
Factory setting:	Auto

A8.INTRV - Test interval

Setting range:	OFF, 1 ... 365
Purpose:	Use this sub-parameter to enter the interval time for the cyclic Partial Stroke Test in days. Set the test interval in a range from 1 to 365.
Factory setting:	OFF

A9.PSTIN - Reference stroke time for partial stroke test

Indication on the display:	<ul style="list-style-type: none">• NOINI• (C)##.#• FdInI• rEAL
Purpose:	Status for reference stroke time in seconds
Description:	Use this sub-parameter to measure the reference stroke time for the Partial Stroke Test. The reference stroke time corresponds to the controlled movement from the start position to the target position. If the positioner has already been initialized, the calculated average travel time of the control valve is displayed as a reference value. <ul style="list-style-type: none">• NOINI: Positioner has not yet been initialized.• (C)##.#: An average travel time of 1.2 seconds, for example, is shown in the display as "C 1.2", whereby "C" stands for 'calculated'. The average travel time can be used as a reference stroke time. However, it merely represents a rough guideline value.

- **FdInI**: If the starting position cannot be approached or the stroke target cannot be achieved, "FdInI" is displayed. "FdInI" stands for "failed PST initialization".
- **rEAL**: Set the sub-parameters "A1.STPOS" to "A5.RPMD" according to your requirements. Then start measuring the reference stroke time by pressing the  button for at least 5 seconds. The display shows "rEAL" during these 5 seconds. The device then moves to the configured start position automatically and executes the desired stroke. The current position in percent is continuously shown on the display. "inPST" for "initialize partial stroke test" appears in the lower line of the display.

Factory setting: NOINI

AA.FACT1 - Factor 1

Setting range: 0.1 ... 100.0

Purpose: Use this sub-parameter to assign the factor to form threshold 1. Set the factor in a range from "0.1" to "100.0". The threshold is the product of the reference stroke time and "AA.FACT1". The process to determine the reference stroke time is described under "A9.PSTIN".

The threshold 1 message is displayed when threshold 1 is exceeded. This message is only output if threshold 2 or 3 is not exceeded at the same time. The process to activate and display this message is described in the 'XDIAG' parameter.

Factory setting: 1.5

Ab.FACT2 - Factor 2

Setting range: 0.1 ... 100.0

Purpose: Use this sub-parameter to assign the factor to form threshold 2. Set the factor in a range from "0.1" to "100.0". The threshold is the product of the reference stroke time and "Ab.FACT2". The process to determine the reference stroke time is described under "A9.PSTIN".

The threshold 2 message is displayed when threshold 2 is exceeded. This message is only output if threshold 3 is not exceeded at the same time. The process to activate and display this message is described in the "XDIAG" parameter.

Factory setting: 3.0

AC.FACT3 - Factor 3

Setting range:	0.1 ... 100.0
Purpose:	<p>Use this sub-parameter to assign the factor to form threshold 3. Set the factor in a range from "0.1" to "100.0". The threshold is the product of the reference stroke time and "AC.FACT3". The process to determine the reference stroke time is described under "A9.PSTIN".</p> <p>The threshold 3 message is displayed when threshold 3 is exceeded. The process to activate and display this message is described in the "XDIAG" parameter.</p> <p>The positioner responds in accordance with the option set in the sub-parameter "A7.FLBH".</p>
Factory setting:	5.0

8.4.3.2 Monitoring of dynamic control valve behavior 'b.\\DEVI'

b.\\DEVI - Monitoring of dynamic control valve behavior

Requirement:	The '52.XDIAG' Activating for extended diagnostics (Page 162) parameter is set to 'On1', 'On2' or 'On3'.
Possible settings:	<ul style="list-style-type: none">• OFF• On
Purpose:	<p>This parameter allows you to monitor the dynamic control valve behavior. The actual position course is compared with the expected position course for this purpose. This comparison helps in drawing a conclusion about the correct operational response of the control valve. Monitoring is performed in three steps. To activate monitoring, set the parameter to 'On'. Sub-parameters are displayed. Appropriately set the sub-parameters.</p> <p>The current value is displayed in Diagnostics value '15.DEVI - Dynamic control valve behavior' (Page 220). The positioner triggers a message if the current value exceeds one of the three thresholds.</p>
Factory setting:	OFF

b1.TIM - Time constant

Possible settings:	<ul style="list-style-type: none">• Auto• 1 ... 400
Purpose:	Use this sub-parameter to define the attenuation effect of the low-pass filter. The unit is seconds. The time constant 'b1.TIM' is calculated from the travel times 'uP' and 'doWn' determined during the initialization. This time constant becomes effective when the 'b1.TIM' parameter is set to 'Auto'.

If the time constant is inadequate, the setting of 'b1.TIM' can be changed manually. Set the time constant in a range from '1' to '400'. In this case:

- Setting '1' indicates a very weak attenuation.
- Setting '400' indicates a strong attenuation.

The currently determined deviation is displayed in Diagnostics value '15.DEVI - Dynamic control valve behavior' (Page 220). The positioner triggers a message if the current value exceeds one of the three parameterizable thresholds.

Factory setting: Auto

b2.LIMIT - Limit

Adjustment range: 0.1 ... 100.0

Purpose: Use this sub-parameter to set a base limit in percent. The base limit defines the magnitude of the permissible deviation from the expected position course. The limit serves as a reference variable for the fault message factors.

Set the base limit in a range from '0.1' to '100.0'.

Factory setting: 1.0

b3.FACT1 - Factor 1

Adjustment range: 0.1 ... 100.0

Purpose: Use this sub-parameter to set the factor for formation of threshold 1. Set the factor in a range from '0.1' to '100.0'. The threshold is the product of 'b2.LIMIT' and 'b3.FACT1'.

The threshold 1 message is displayed when threshold 1 is exceeded. This message is only output if threshold 2 or 3 is not exceeded at the same time. The process to activate and display this message is described in the 'XDIAG' parameter.

Factory setting: 5.0

b4.FACT2 - Factor 2

Adjustment range: 0.1 ... 100.0

Purpose: Use this sub-parameter to set the factor for formation of threshold 1. Set the factor in a range from '0.1' to '100.0'. The threshold is the product of 'b2.LIMIT' and 'b4.FACT2'.

The threshold 2 message is displayed when threshold 2 is exceeded. This message is only output if threshold 3 is not exceeded at the same time. The process to activate and display this message is described in the 'XDIAG' parameter.

Factory setting: 10.0

b5.FACT3 - Factor 3

Adjustment range:	0.1 ... 100.0
Purpose:	Use this sub-parameter to set the factor for formation of threshold 1. Set the factor in a range from '0.1' to '100.0'. The threshold is the product of 'b2.LIMIT' and 'b5.FACT3'. The threshold 3 message is displayed when threshold 3 is exceeded. The process to activate and display this message is described in the 'XDIAG' parameter.
Factory setting:	15.0

8.4.3.3 Monitoring/compensation of pneumatic leakage 'C.\LEAK'

C.\LEAK - Monitoring/compensation of pneumatic leakage

Note**Accuracy of results**

Note that this monitoring only delivers results in the case of single-acting, spring-loaded actuators and a setpoint from 5% to 95%.

Note**Activated tight closing/fast closing function**

Note that monitoring with an activated '39.YCLS' Tight closing/fast closing with manipulated variable (Page 153) function only delivers results in the case of a setpoint with the following values:

- Value for tight closing/fast closing **Down** (YCDO) +5% to
- value for tight closing/fast closing **Up** (YCUP) -5%

'40.YCDO' Value for tight closing/fast closing Down (Page 154)

and '41.YCUP' Value for tight closing/fast closing Up (Page 154)

Note**Update of the message**

When the leakage has been rectified, the new status is displayed as message after some time.

- To determine the current leakage, start the online leakage test with Diagnostic value '11.LEAK - Leakage test' (Page 217).
-

Condition:	The '52.XDIAG' Activating for extended diagnostics (Page 162) parameter is set to 'On1', 'On2' or 'On3'. Operating mode 'Automatic' (AUT) is set for the leakage compensation.
Possible settings:	<ul style="list-style-type: none"> • OFF • On
Purpose:	<p>This parameter is used to activate leak monitoring and leakage compensation. Leakages mainly occur in the actuator or in the pipe installation. To activate monitoring or compensation, set the parameter to 'On'. Sub-parameters are displayed. Appropriately set the sub-parameters.</p> <p>The leakage compensation compensates the leakage in control phases with constant setpoint. The control quality is increased by reducing or preventing the typical, periodic oscillations of leaky valves. The leakage compensation compensates leakages up to 2% of the positioner's air performance.</p> <p>The two following diagnostics values indicate the length and period of the current leakage compensation pulse: Diagnostic value '57.LKPUL - Length of the leakage compensation pulse' (Page 227), Diagnostic value '58.LKPER - Period of the leakage compensation pulse' (Page 227)</p> <p>The leak monitoring is carried out in three stages for all control phases (dynamic and static setpoints).</p> <p>The current value of the monitoring is displayed in Diagnostic value '16.ONLK - Pneumatic leakage' (Page 220).</p>
Factory setting:	OFF

C1.LIMIT - Limit

Adjustment range:	0.1 ... 100.0
Purpose:	Use this sub-parameter to set the limit of the leakage indicator in percent. Set the limit in a range from '0.1' to '100.0'. If no leakage exists, monitoring of the pneumatic leakage is automatically calibrated in such a way during the initialization (section Commissioning (Page 105)) that the leakage indicator remains below the value 30. A value above 30 means that a leakage exists. '30.0' is therefore an advisable setting for the parameter. After a certain time this limit can be varied slightly depending on the application.

To optimize the sensitivity of the monitoring of the pneumatic leakage to your specific application, follow these steps:

1. After initializing the positioner automatically, use a calibration device to initiate a ramp movement.
2. Conditions for the ramp movement:
 - The ramp covers the normal operating range of the valve.
 - The steepness of the ramp matches the dynamic requirements of the corresponding application.
 - The characteristic of the ramp corresponds to the characteristic of the setpoint that actually occurs.
3. During the ramp movement, the Diagnostic value '16.ONLK - Pneumatic leakage' (Page 220) provides information about the actual values. Define the limit of the leakage indicator accordingly.

The positioner triggers a message if the current value exceeds one of the three thresholds. How to set the three thresholds is described below.

Factory setting: 30.0

C2.FACT1 - Factor 1

Adjustment range: 0.1 ... 100.0

Purpose: Use this sub-parameter to set the factor for formation of threshold 1. Set the factor in a range from '0.1' to '100.0'. The threshold is the product of 'C1.LIMIT' and 'C2.FACT1'.

A leakage was detected when threshold 1 is exceeded. The control quality is not affected. The threshold 1 message is shown. This message is only output if threshold 2 or 3 is not exceeded at the same time.

The process to activate and display this message is described in the 'XDIAG' parameter.

Factory setting: 1.0

C3.FACT2 - Factor 2

Adjustment range: 0.1 ... 100.0

Purpose: Use this sub-parameter to set the factor for formation of threshold 2. Set the factor in a range from '0.1' to '100.0'. The threshold is the product of 'C1.LIMIT' and 'C3.FACT2'.

A leakage was detected when threshold 2 is exceeded. The control quality is affected. Maintenance is recommended. The threshold 2 message is shown. This message is only output if threshold 3 is not exceeded at the same time.

The process to activate and display this message is described in the 'XDIAG' parameter.

Factory setting: 1.5

C4.FACT3 - Factor 3

Adjustment range:	0.1 ... 100.0
Purpose:	<p>Use this sub-parameter to set the factor for formation of threshold 3. Set the factor in a range from '0.1' to '100.0'. The threshold is the product of 'C1.LIMIT' and 'C4.FACT3'.</p> <p>A leakage was detected when threshold 3 is exceeded. The control quality is strongly affected. Maintenance is necessary. The threshold 3 message is shown.</p> <p>The process to activate and display this message is described in the 'XDIAG' parameter.</p>
Factory setting:	2.0

See also

11 Monitoring/compensation of pneumatic leakage (Page 234)

8.4.3.4 Monitoring of stiction (slipstick) 'd.\STIC'

d.\STIC - Monitoring of stiction (slipstick)

Requirement:	The '52.XDIAG' Activating for extended diagnostics (Page 162) parameter is set to 'On1', 'On2' or 'On3'.
Possible settings:	<ul style="list-style-type: none">• OFF• On
Purpose:	<p>Use this parameter to continuously monitor the current stiction (slipstick effect) of the control valve. If the parameter is activated, the positioner detects the slipstick that can occur. Sudden changes in the process valve position, so-called slip jumps, indicate excessive stiction. Where slip jumps are detected, the filtered step height is stored as a slipstick value. If slip jumps no longer exist, the stiction (slipstick effect) is reduced slowly. Monitoring is performed in three steps. To activate monitoring, set the parameter to 'On'. Sub-parameters are displayed. Appropriately set the sub-parameters.</p> <p>The current value is displayed in Diagnostic value '17.STIC - Stiction (slipstick)' (Page 220). The positioner triggers a message if the current value exceeds one of the thresholds.</p>
Factory setting:	OFF

Note

Incorrect interpretation in case of travel times below one second

If the travel times are less than one second, the positioner does not accurately differentiate between a normal movement of the actuator and a sudden change. Therefore, increase the travel time if required.

d1.LIMIT - limit for slipstick detection

Setting range: 0.1 ... 100.0
Purpose: Use this sub-parameter to set the base limit for slipstick detection in percent. Set the base limit in a range from '0.1' to '100.0'.
Factory setting: 1.0

d2.FACT1 - Factor 1

Setting range: 0.1 ... 100.0
Purpose: Use this sub-parameter to set the factor for formation of threshold 1. Set the factor in a range from '0.1' to '100.0'. The threshold is the product of the values entered for 'd1.LIMIT' and 'd2.FACT1'.
The threshold 1 message is displayed when threshold 1 is exceeded. This message is only output if threshold 2 or 3 is not exceeded at the same time. The process to activate and display this message is described in the 'XDIAG' parameter.
Factory setting: 2.0

d3.FACT2 - Factor 2

Setting range: 0.1 ... 100.0
Purpose: Use this sub-parameter to set the factor for formation of threshold 2. Set the factor in a range from '0.1' to '100.0'. The threshold is the product of the values entered for 'd1.LIMIT' and 'd3.FACT2'.
The threshold 2 message is displayed when threshold 2 is exceeded. This message is only output if threshold 3 is not exceeded at the same time. The process to activate and display this message is described in the 'XDIAG' parameter.
Factory setting: 5.0

d4.FACT3 - Factor 3

Setting range: 0.1 ... 100.0
Purpose: Use this sub-parameter to set the factor for formation of threshold 3. Set the factor in a range from '0.1' to '100.0'. The threshold is the product of the values entered for 'd1.LIMIT' and 'd4.FACT3'.
The threshold 3 message is displayed when threshold 3 is exceeded. The process to activate and display this message is described in the 'XDIAG' parameter.
Factory setting: 10.0

8.4.3.5 Monitoring of deadband 'E.\DEBA'

E.\DEBA - Monitoring of deadband

Requirement:	The '52.XDIAG' Activating for extended diagnostics (Page 162) parameter is set to 'On'. The '34.DEBA' Deadband of closed-loop controller (Page 150) parameter is set to 'Auto'.
Possible settings:	<ul style="list-style-type: none">• OFF• On
Purpose:	Use this parameter to continuously monitor the automatic adaptation of the deadband. Monitoring is performed in one step. To activate monitoring, set the parameter to 'On'. The sub-parameter is displayed. Appropriately set the sub-parameter. The current value is displayed in Diagnostic value '26.DBUP - Deadband up' / '27.DBDN - Deadband down' (Page 223). The positioner triggers a message if the current value exceeds the threshold.
Factory setting:	OFF

E1.LEVL3 - Threshold

Adjustment range:	0.1 ... 3.0
Purpose:	Use this sub-parameter to set the threshold to the deadband in percent. Set the threshold in a range from '0.1' to '10.0'. The values are monitored in the range of '0.1' to '2.9'. Values between '3.0' and '10.0' are not monitored. The threshold 3 message is displayed when the current deadband exceeds the threshold during the test. The process to activate and display this message is described in the 'XDIAG' parameter.
Factory setting:	2.0

Note

Fault message display

The three-stage fault message display has not been implemented for monitoring of the deadband. The positioner triggers only threshold 3 messages depending on the setting.

8.4.3.6 Monitoring of lower endstop 'F.\ZERO'

F.\ZERO - Monitoring of lower endstop

Note

Fault detection

Monitoring of lower endstop not only responds to faults in the valve. If the limit thresholds of the lower endstop are exceeded due to misalignment of the position feedback, the misalignment also triggers a diagnostics message.

Requirement:	The '52.XDIAG' Activating for extended diagnostics (Page 162) parameter is set to 'On1', 'On2' or 'On3'. The '39.YCLS' Tight closing/fast closing with manipulated variable (Page 153) parameter is set to one of the following values: 'do', 'uP do', 'Fd', 'Fu Fd', 'uP Fd', 'Fu do'.
Possible settings:	<ul style="list-style-type: none">• OFF• On
Purpose:	Use this parameter to activate continuous monitoring of the lower endstop. Monitoring is always carried out if the '39.YCLS' Tight closing/fast closing with manipulated variable (Page 153) parameter is set to one of the following values: 'do', 'uP do', 'Fd', 'Fu Fd', 'uP Fd', 'Fu do' It checks whether the lower endstop has changed compared to its value during initialization. Monitoring is performed in three steps. Set the following sub-parameters appropriately. To activate monitoring, set the parameter to 'On'. Sub-parameters are displayed. The current value is displayed in Diagnostic value '18.ZERO - Lower endstop' (Page 220). The positioner triggers a message if the current value undershoots one of the three thresholds.
Factory setting:	OFF

F1.LEVL1 - threshold 1

Adjustment range:	0.1 ... 10.0
Purpose:	Use this sub-parameter to set threshold 1 for the lower endstop in percent. Set the threshold in a range from '0.1' to '10.0'. The positioner triggers a threshold 1 message if the difference between the lower endstop and the initialization value undershoots threshold 1. This message is only output if threshold 2 or 3 is not undershot at the same time. The process to activate and display this message is described in the 'XDIAG' parameter.
Factory setting:	1.0

F2.LEVL2 - threshold 2

Adjustment range:	0.1 ... 10.0
Purpose:	Use this sub-parameter to set threshold 2 for the lower endstop in percent. Set the threshold in a range from '0.1' to '10.0'. The positioner triggers a threshold 2 message if the difference between the lower endstop and the initialization value undershoots threshold 2. This message is only output if threshold 3 is not undershot at the same time. The process to activate and display this message is described in the 'XDIAG' parameter.
Factory setting:	2.0

F3.LEVL3 - threshold 3

Adjustment range:	0.1 ... 10.0
Purpose:	Use this sub-parameter to set threshold 3 for the lower endstop in percent. Set the threshold in a range from '0.1' to '10.0'. The positioner triggers a threshold 3 message if the difference between the lower endstop and the initialization value undershoots threshold 3. The process to activate and display this message is described in the 'XDIAG' parameter.
Factory setting:	4.0

8.4.3.7 Monitoring the upper endstop 'G.\\OPEN'

G.\\OPEN - Monitoring of upper endstop

Note

Fault detection

Monitoring of upper endstop not only responds to faults in the valve. If the limit thresholds of the upper endstop are exceeded due to misalignment of the position feedback, the misalignment also triggers a message.

Requirement:	The '52.XDIAG' Activating for extended diagnostics (Page 162) parameter is set to 'On1', 'On2' or 'On3'. The '39.YCLS' Tight closing/fast closing with manipulated variable (Page 153) parameter is set to one of the following values: 'uP', 'uP do', 'Fu', 'Fu Fd', 'uP Fd', 'Fu do'
Possible settings:	<ul style="list-style-type: none">• OFF• On

8.4 Description of parameters

Purpose: Use this parameter to activate continuous monitoring of the upper endstop. Monitoring is always carried out if the '39.YCLS' Tight closing/fast closing with manipulated variable (Page 153) parameter is set to one of the following values: 'uP', 'uP do', 'Fu', 'Fu Fd', 'uP Fd', 'Fu do'

It checks whether the upper endstop has changed compared to its value during initialization. Monitoring is performed in three steps. Set the following sub-parameters appropriately. To activate monitoring, set the parameter to 'On'. Sub-parameters are displayed. The value is displayed in Diagnostic value '19.OPEN - Upper endstop' (Page 221). The positioner triggers a message if the current value exceeds one of the three thresholds.

Factory setting: OFF

G1.LEVL1 - threshold 1

Adjustment range: 0.1 ... 10.0

Purpose: Use this sub-parameter to set threshold 1 for the upper endstop in percent. Set the threshold in a range from '0.1' to '10.0'. The positioner triggers a threshold 1 message if the difference between the upper endstop and the initialization value exceeds threshold 1. This message is only output if threshold 2 or 3 is not exceeded at the same time. The process to activate and display this message is described in the 'XDIAG' parameter.

Factory setting: 1.0

G2.LEVL2 - threshold 2

Adjustment range: 0.1 ... 10.0

Purpose: Use this sub-parameter to set threshold 2 for the upper endstop in percent. Set the threshold in a range from '0.1' to '10.0'. The positioner triggers a threshold 2 message if the difference between the upper endstop and the initialization value exceeds threshold 2. This message is only output if threshold 3 is not exceeded at the same time. The process to activate and display this message is described in the 'XDIAG' parameter.

Factory setting: 2.0

G3.LEVL3 - threshold 3

Adjustment range:	0.1 ... 10.0
Purpose:	Use this sub-parameter to set threshold 3 for the upper endstop in percent. Set the threshold in a range from '0.1' to '10.0'. The positioner triggers a threshold 3 message if the difference between the upper endstop and the initialization value exceeds threshold 3. The process to activate and display this message is described in the 'XDIAG' parameter.
Factory setting:	4.0

8.4.3.8 Monitoring the lower limit temperature 'H.\\TMIN'

H.\\TMIN - Monitoring the lower limit temperature

Requirement:	The '52.XDIAG' Activating for extended diagnostics (Page 162) parameter is set to 'On1', 'On2' or 'On3'.
Possible settings:	<ul style="list-style-type: none">• OFF• On
Purpose:	The current temperature inside the enclosure of the field device is recorded by a sensor on the basic electronics. Use this parameter to activate continuous monitoring of the lower limit temperature inside the enclosure. Monitoring is performed in three steps. To activate monitoring, set the parameter to 'On'. Sub-parameters are displayed. Appropriately set the sub-parameters. The value is displayed in Diagnostic value '31.TMIN - Minimum temperature' / '32.TMAX - Maximum temperature' (Page 224). The positioner triggers a message if the current value undershoots one of the three thresholds.
Factory setting:	OFF

H1.TUNIT - temperature unit

Possible settings:	°C °F
Purpose:	Use this sub-parameter to set the temperature unit '°C' or '°F'. The selected temperature unit is then also applicable for all other temperature-based parameters.
Factory setting:	°C

H2.LEVL1 - threshold 1

Adjustment range:	-40.0C ... 90.0C -40.0F ... 194.0F
Purpose:	Use this sub-parameter to set the temperature for threshold 1. The positioner triggers a threshold 1 message if the current temperature inside the enclosure undershoots threshold 1. This message is only output if threshold 2 or 3 is not exceeded at the same time. The process to activate and display this message is described in the 'XDIAG' parameter.
Factory setting:	-25.0C

H3.LEVL2 - threshold 2

Adjustment range:	-40.0C ... 90.0C -40.0F ... 194.0F
Purpose:	Use this sub-parameter to set the temperature for threshold 2. The positioner triggers a threshold 2 message if the current temperature inside the enclosure undershoots threshold 2. This message is only output if threshold 3 is not exceeded at the same time. The process to activate and display this message is described in the 'XDIAG' parameter.
Factory setting:	-30.0C

H4.LEVL3 - threshold 3

Adjustment range:	-40.0C ... 90.0C -40.0F ... 194.0F
Purpose:	Use this sub-parameter to set the temperature for threshold 3. The positioner triggers a threshold 3 message if the current temperature inside the enclosure undershoots threshold 3. The process to activate and display this message is described in the 'XDIAG' parameter.
Factory setting:	-40.0C

See also

'39.YCLS' Tight closing/fast closing with manipulated variable (Page 153)

8.4.3.9 Monitoring the upper limit temperature 'J.\\TMAX'

J.\\TMAX - Monitoring the upper limit temperature

Requirement:	The '52.XDIAG' Activating for extended diagnostics (Page 162) parameter is set to 'On1', 'On2' or 'On3'.
Possible settings:	<ul style="list-style-type: none">• OFF• On
Purpose:	<p>The current temperature inside the enclosure of the field device is recorded by a sensor on the basic electronics. Use this parameter to activate continuous monitoring of the upper limit temperature inside the enclosure. Monitoring is performed in three steps. To activate monitoring, set the parameter to 'On'. Sub-parameters are displayed. Appropriately set the sub-parameters.</p> <p>The value is displayed in Diagnostic value '31.TMIN - Minimum temperature' / '32.TMAX - Maximum temperature' (Page 224). The positioner triggers a message if the current value exceeds one of the three thresholds.</p>
Factory setting:	OFF

J1.TUNIT - temperature unit

Possible settings:	°C °F
Purpose:	Use this sub-parameter to set the temperature unit '°C' or '°F'. The selected temperature unit is then also applicable for all other temperature-based parameters.
Factory setting:	°C

J2.LEVL1 - threshold 1

Adjustment range:	-40.0C ... 90.0C -40.0F ... 194.0F
Purpose:	<p>Use this sub-parameter to set the temperature for threshold 1.</p> <p>The positioner triggers a threshold 1 message if the current temperature inside the enclosure exceeds threshold 1. This message is only output if threshold 2 or 3 is not exceeded at the same time. The process to activate and display this message is described in the 'XDIAG' parameter.</p>
Factory setting:	75.0C

J3.LEVL2 - threshold 2

Adjustment range:	-40.0C ... 90.0C -40.0F ... 194.0F
Purpose:	Use this sub-parameter to set the temperature for threshold 2. The positioner triggers a threshold 2 message if the current temperature inside the enclosure exceeds threshold 2. This message is only output if threshold 3 is not exceeded at the same time. The process to activate and display this message is described in the 'XDIAG' parameter.
Factory setting:	80.0C

J4.LEVL3 - threshold 3

Adjustment range:	-40.0C ... 90.0C -40.0F ... 194.0F
Purpose:	Use this sub-parameter to set the temperature for threshold 3. The positioner triggers a threshold 3 message if the current temperature inside the enclosure exceeds threshold 3. The process to activate and display this message is described in the 'XDIAG' parameter.
Factory setting:	90.0C

8.4.3.10 Monitoring of number of total strokes 'L.\STRK'

L.\STRK - Monitoring of number of total strokes

Condition:	The '52.XDIAG' Activating for extended diagnostics (Page 162) parameter is set to 'On1', 'On2' or 'On3'.
Possible settings:	<ul style="list-style-type: none">• OFF• On
Purpose:	Use this parameter to continuously monitor the total strokes covered by the actuator. A total stroke corresponds to the path from the lower endstop of the actuator to the upper endstop and back again, in other words twice the travel. During operation, partial strokes of the actuator are added together into total strokes. Monitoring is performed in three steps. To activate monitoring, set the parameter to 'On'. Sub-parameters are displayed. Appropriately set the sub-parameters. The current value is displayed in Diagnostic value '1.STRKS - Number of total strokes' (Page 215). The positioner triggers a message if the current value exceeds one of the three thresholds. This message is only output if threshold 2 or 3 is not exceeded at the same time.
Factory setting:	OFF

L1.LIMIT - Limit

Adjustment range:	1 ... 1.00E8
Purpose:	Use this sub-parameter to set the base limit for the number of total strokes. Set the base limit in a range from '1' to '1.00E8'.
Factory setting:	1.00E6

L2.FACT1 - Factor 1

Adjustment range:	0.1 ... 40.0
Purpose:	Use this sub-parameter to set the factor for formation of threshold 1. Set the factor in a range from '0.1' to '40.0'. The threshold is the product of 'L1.LIMIT' and 'L2.FACT1'. The threshold 1 message is displayed when threshold 1 is exceeded. This message is only output if threshold 2 or 3 is not exceeded at the same time. The process to activate and display this message is described in the 'XDIAG' parameter.
Factory setting:	1.0

L3.FACT2 - Factor 2

Adjustment range:	0.1 ... 40.0
Purpose:	Use this sub-parameter to set the factor for formation of threshold 2. Set the factor in a range from '0.1' to '40.0'. The threshold is the product of 'L1.LIMIT' and 'L3.FACT2'. The threshold 2 message is displayed when threshold 2 is exceeded. This message is only output if threshold 3 is not exceeded at the same time. The process to activate and display this message is described in the 'XDIAG' parameter.
Factory setting:	2.0

L4.FACT3 - Factor 3

Adjustment range:	0.1 ... 40.0
Purpose:	Use this sub-parameter to set the factor for formation of threshold 3. Set the factor in a range from '0.1' to '40.0'. The threshold is the product of 'L1.LIMIT' and 'L4.FACT3'. The threshold 3 message is displayed when threshold 3 is exceeded. The process to activate and display this message is described in the 'XDIAG' parameter.
Factory setting:	5.0

See also

Display of diagnostics values (Page 212)

8.4.3.11 Monitoring of number of changes in direction 'O.\DCHG'

O.\DCHG - Monitoring of number of changes in direction

Condition:	The '52.XDIAG' Activating for extended diagnostics (Page 162) parameter is set to 'On1', 'On2' or 'On3'.
Possible settings:	<ul style="list-style-type: none">• OFF• On
Purpose:	Use this parameter to continuously monitor the number of changes in direction of the actuator beyond the deadband. Monitoring is performed in three steps. Set the following sub-parameters appropriately. To activate monitoring, set the parameter to 'On'. Sub-parameters are displayed. The current value is displayed in Diagnostic value '2.CHDIR - Number of changes in direction' (Page 215). The positioner triggers a message if the current value exceeds one of the three thresholds.
Factory setting:	OFF

O1.LIMIT - Limit

Adjustment range:	1 ... 1.00E8
Purpose:	Use this sub-parameter to set the base limit for the changes of direction of the actuator. Set the base limit in a range from '1' to '1.00E8'.
Factory setting:	1.00E6

O2.FACT1 - Factor 1

Adjustment range:	0.1 ... 40.0
Purpose:	Use this sub-parameter to set the factor for formation of threshold 1. Set the factor in a range from '0.1' to '40.0'. The threshold is the product of 'O1.LIMIT' and 'O2.FACT1'. The threshold 1 message is displayed when threshold 1 is exceeded. This message is only output if threshold 2 or 3 is not exceeded at the same time. The process to activate and display this message is described in the 'XDIAG' parameter.
Factory setting:	1.0

O3.FACT2 - Factor 2

Adjustment range:	0.1 ... 40.0
Purpose:	Use this sub-parameter to set the factor for formation of threshold 2. Set the factor in a range from '0.1' to '40.0'. The threshold is the product of 'O1.LIMIT' and 'O3.FACT2'. The threshold 2 message is displayed when threshold 2 is exceeded. This message is only output if threshold 3 is not exceeded at the same time. The process to activate and display this message is described in the 'XDIAG' parameter.
Factory setting:	2.0

O4.FACT3 - Factor 3

Adjustment range:	0.1 ... 40.0
Purpose:	Use this sub-parameter to set the factor for formation of threshold 3. Set the factor in a range from '0.1' to '40.0'. The threshold is the product of 'O1.LIMIT' and 'O4.FACT3'. The threshold 3 message is displayed when threshold 3 is exceeded. The process to activate and display this message is described in the 'XDIAG' parameter.
Factory setting:	5.0

See also

Display of diagnostics values (Page 212)

8.4.3.12 Monitoring the position average value 'P.\PAVG'

P.\PAVG - Monitoring the position average value

Requirement:	The '52.XDIAG' Activating for extended diagnostics (Page 162) parameter is set to 'On1', 'On2' or 'On3'.
Possible settings:	<ul style="list-style-type: none">• OFF• On
Purpose:	Use this parameter to activate the test to calculate and monitor the average value of position. During the test, the average values of position and reference are always compared at the end of a time interval. The current value is displayed in Diagnostic value '20.PAVG - Average value of position' (Page 221). The positioner triggers a message if the current average value of position undershoots one of the three thresholds.
Factory setting:	OFF

P1.TBASE - Time basis of average value generation

Possible settings:	0.5h / 8h / 5d / 60d / 2.5y
Purpose:	Use this sub-parameter to set the time interval to calculate the average value of position. The following values are available to define the time intervals: <ul style="list-style-type: none">• 30 minutes• 8 hours• 5 days• 60 days• 2.5 years After starting the calculation for average value of reference and expiry of the time interval, a position average over the interval period is determined and compared with the average value of reference. The test is then restarted.
Factory setting:	0.5h

P2.STATE - Status of monitoring position average value

Possible settings:	IdLE / rEF / ###.# / Strt
Purpose:	Use this sub-parameter to start the calculation for average value of position. If an average value of reference has never been determined, the parameter value is 'IdLE'. Then start the calculation by pressing the Δ button for 5 seconds. The value in the display changes from 'IdLE' to 'rEF'. The average value of reference is calculated. When the time interval expires, the calculated average value of reference is shown on the display.
Factory setting:	IdLE

Note

Current average value of position

The respective current average value of position is displayed in the Diagnostic value '20.PAVG - Average value of position' (Page 221). If no average value of position has been calculated, 'COMP' is displayed as the diagnostic value.

P3.LEVL1 - threshold 1

Possible settings:	0.1 ... 100.0
Purpose:	Use this sub-parameter to set threshold 1 for the maximum deviation of the current average value of position from the average value of reference. The value is given in percent. Set the threshold in a range from '0.1' to '100.0'. The positioner triggers the threshold 1 message if the difference between the average value of position and the average value of reference exceeds threshold 1. This message is only output if threshold 2 or 3 is not exceeded at the same time. The process to activate and display this message is described in the 'XDIAG' parameter.
Factory setting:	2.0

P4.LEVL2 - threshold 2

Possible settings:	0.1 ... 100.0
Purpose:	Use this sub-parameter to set threshold 2 for the maximum deviation of the current average value of position from the average value of reference. The value is given in percent. Set the threshold in a range from '0.1' to '100.0'. The positioner triggers the threshold 2 message if the difference between the average value of position and the average value of reference exceeds threshold 2. This message is only output if threshold 3 is not exceeded at the same time. The process to activate and display this message is described in the 'XDIAG' parameter.
Factory setting:	5.0

P5.LEVL3 - threshold 3

Possible settings:	0.1 ... 100.0
Purpose:	Use this sub-parameter to set threshold 3 for the maximum deviation of the current average value of position from the average value of reference. The value is given in percent. Set the threshold in a range from '0.1' to '100.0'. The positioner triggers the threshold 3 message if the difference between the average value of position and the average value of reference exceeds threshold 3. The process to activate and display this message is described in the 'XDIAG' parameter.
Factory setting:	10.0

8.4.3.13 Pressure monitoring 'U.\\PRES'

U.\\PRES - Activate pressure monitoring

Requirement:	The parameter "XDIAG (Page 162)" is set to "On1", "On2" or "On3".
Possible settings:	<ul style="list-style-type: none">• OFF• On
Purpose:	Activates or deactivates all pressure-based diagnostics.
Factory setting:	On

U1.PUNIT - Pressure unit

Possible settings:	bar / psi / MPa
Purpose:	Defines the pressure unit for all pressure-based diagnostic parameters.
Factory setting:	bar

U2.PZLIM - Low limit of the supply pressure (PZLIM)

Possible settings:	1.4 to 7.0 (bar) 20.30 ... 101.52 psi 0.140 ... 0.700 MPa
Purpose:	Defines the minimum required supply pressure. When the value is undershot, the message "18 (Page 234)" appears on the display in "Automatic" and "Manual" modes.
Factory setting:	1.4

U3.PZHYS - Hysteresis of the low limit of the supply pressure

Possible settings:	0.2 to 1.0 (bar) 2.90 ... 14.50 psi 0.020 ... 0.100 MPa
Purpose:	Defines the hysteresis of the low limit of the supply pressure (U2.PZLIM). The error message 18 (Page 234) in the "Automatic" and "Manual" modes is deleted when the value of the supply pressure PZ is "PZHYS" larger than the value assigned in "U2.PZLIM". The control becomes active again if the configured fault reaction was "HOLd".
Factory setting:	0.2

U4.PZ_FR - Error response on undershoot of the supply pressure

Possible settings:	cont / HOlD
Purpose:	Defines the behavior of the device when the limit value of the supply pressure (U2.PZLIM) is undershot. Cont = Chamber pressure is controlled via supply pressure PZ. HOlD = Chamber pressure is maintained, corresponds to the response for Fail in Place.
Factory setting:	cont

8.5 Overview of the assignment of the HART variables**Dynamic variables for device revision 6, as of firmware 5.01.xx HART 7**

For positioners with HART communication, the variables PV, SV, TV and QV are assigned as follows:

Variable	Meaning	Physical variable
HART Primary Variable (PV)	Primary variable	W (setpoint) in %
HART Secondary Variable (SV)	1st secondary variable	X (actual value) in %
HART Tertiary Variable (TV)	2nd secondary variable	Xd (control deviation) in %
HART Quaternary Variable (QV)	3rd secondary variable	t (temperature) in °C

Functional safety

9.1 Range of applications for functional safety

The positioner is suitable for use on valves that satisfy the special requirements in terms of functional safety up to SIL 2 in accordance with IEC 61508 or IEC 61511. The 6DR5.1.-0....-....- Z C20 versions are available for this.

These are single-acting positioners for mounting on pneumatic actuators with spring return.

The positioner automatically depressurizes the actuator on demand or in case of faults. The actuator brings the process valve to the specified safety position in this way.

This positioner meets the following requirement:

- Functional safety up to SIL 2 in accordance with IEC 61508 or IEC 61511 for safe venting

See also

Functional safety in process instrumentation (<http://www.siemens.com/SIL>)

9.2 Safety function

Depressurizing of the connected actuator is the safety function for the SIPART PS2 positioner. The built-in spring brings the process valve to the required safety position. Depending on the direction of action of this spring, the process valve is completely opened or closed.

The positioner starts the depressurizing process of the connected pneumatic actuator at the latest 100 ms after the request. The progress of the depressurizing process depends on the connections and properties of the pneumatic actuator.

This safety function can be triggered by:

- With 2-wire connection: a signal source with 0 mA.
- With 3/4-wire connection: a power supply source with 0 V.

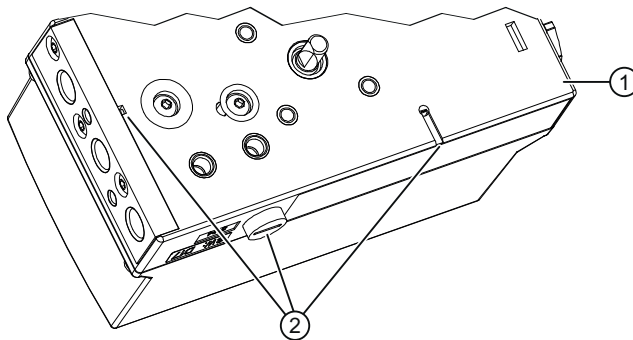
The safety function is not affected by other device functions, particularly the microcontroller, software and communication interface. With respect to this safety function, the positioner must therefore be considered as a type A subsystem in accordance with IEC 61508-2.

Situations in which it is not possible to depressurize the actuator on demand or in the case of a fault represent hazardous failure.

⚠ WARNING
Disregarding conditions for fulfilling the safety function
Disregarding conditions can result in a malfunction of the process system or application, for example, process pressure too high, maximum level exceeded.
The mandatory settings and conditions are listed in sections "Settings (Page 194)" and "Safety characteristics (Page 195)".
<ul style="list-style-type: none">• These conditions must be met in order to fulfill the safety function.

The pneumatic block of the positioner pressurizes and depressurizes the actuator. The characteristic service life of the pneumatic block depends on the load. On average, it is approx. 200 million switching cycles. The number of control procedures for the switching cycles is called in the local display or via HART communication. For more details, see Diagnostic value '42.VENT1' / '43.VENT2' (Page 225).

NOTICE
Freezing of the exhaust air outlets
When devices of the type 6DR5..0/1/2/3 are used, the exhaust air outlets ② may freeze. The function of the device is impaired.
<ul style="list-style-type: none">• Do not install the positioner with the base plate ① pointing up.



- ① Base plate
- ② Exhaust air outlets

Figure 9-1 Exhaust air outlets, base plate

Safety-instrumented system in single-channel operation (SIL 2)

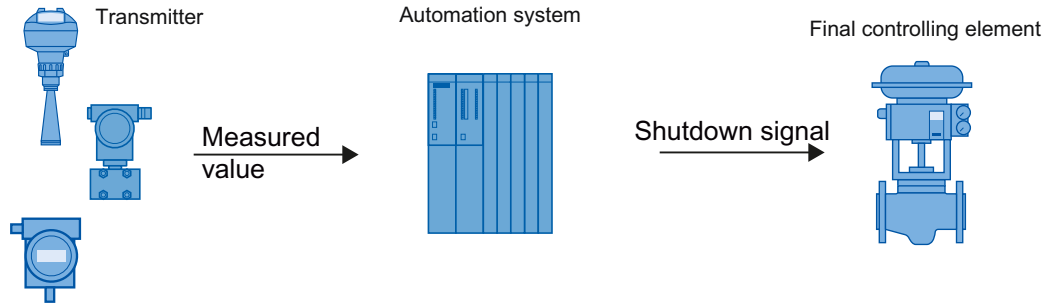


Figure 9-2 Safety-instrumented system in single-channel operation

The combination of transmitter, automation system and final controlling element forms a safety-instrumented system that performs a safety function.

The transmitter generates a process-related measured value that is transferred to the automation system. The automation system monitors this measured value. If the measured value violates the high or low limit, the automation system generates a shutdown signal for the connected final controlling element, which switches the corresponding process valve to the specified safety position.

9.3 Safety Integrity Level (SIL)

The international standard IEC 61508 defines four discrete Safety Integrity Levels (SIL) from SIL 1 to SIL 4. Each level corresponds to a range of probability for failure of a safety function.

Description

The following table shows the dependency of the SIL on the "average probability of dangerous failure of a safety function of the entire safety-instrumented system" (PFD_{AVG}). "Low demand mode" is examined. The safety function is required a maximum of once per year on average.

Table 9-1 Safety Integrity Level

SIL	Interval
4	$10^{-5} \leq PFD_{AVG} < 10^{-4}$
3	$10^{-4} \leq PFD_{AVG} < 10^{-3}$
2	$10^{-3} \leq PFD_{AVG} < 10^{-2}$
1	$10^{-2} \leq PFD_{AVG} < 10^{-1}$

The "average probability of dangerous failure of the entire safety-related system" (PFD_{AVG}) is normally split between the following three components:

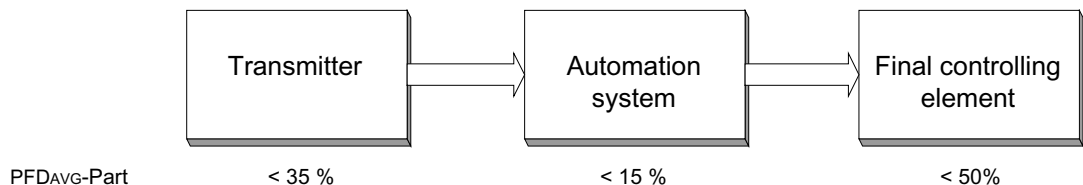


Figure 9-3 PFD distribution

The following table shows the achievable Safety Integrity Level (SIL) for the entire safety-related system for type A devices depending on the safe failure fraction (SFF) and the hardware fault tolerance (HFT).

- Type A devices include analog transmitters and solenoid valves **without** complex components, e.g. microprocessors (see also IEC 61508, Section 2).
- The specific values for your device are listed in the manufacturer's declaration of the device (SIL Declaration of Conformity, Functional Safety according to IEC 61508 and IEC 61511): Certificates (<http://www.siemens.com/processinstrumentation/certificates>).

SFF	HFT for type A devices		
	0	1	2
< 60%	SIL 1	SIL 2	SIL 3
60 to 90%	SIL 2	SIL 3	SIL 4
90 to 99%	SIL 3	SIL 4	SIL 4
> 99%	SIL 3	SIL 4	SIL 4

9.4 Settings

No special parameter settings are required for the safety function.

Protection against configuration changes

You should attach the housing cover so that the device is protected against unwanted and unauthorized changes/operation.

Checking the safety function

Prerequisite for checking the safety function

- Positioner is in operation.
- The actuator belonging to the positioner is **not** in the safety position.

Procedure

1. On the positioner, switch the signal source to 0 mA or the power supply source to 0 V.
2. Reduce the inlet pressure (PZ) to a third of the maximum supply pressure.
3. Always carry out the validation of the safety function with positioner, actuator and process valve under operating conditions.

Result

The actuator brings the process valve to the specified safety position.

See also

Safety function (Page 191)

9.5 Safety characteristics

The safety characteristics necessary for use of the system are listed in the SIL declaration of conformity. These values apply under the following conditions:

- The positioner is only used in applications with low demand rate for the "Low demand mode".
- The positioner is blocked against unwanted and unauthorized changes/operation.
- The signal source with 0 mA or the power supply source with 0 V for the SIPART PS2 positioner is generated by a safe system that fulfills SIL 2 for single-channel operation.
- The connected actuator must be single-acting and return the process valve to the safe end position by spring force in the following scenarios:
 - With a chamber pressure (Y1 connection) up to a third of the maximum available supply pressure (PZ connection)
- The air outlet does not contain any additional cross-sectional contractions leading to an increased dynamic pressure. In particular, a silencer is only allowed if icing or other contamination is ruled out.
- The restrictor in the Y1 circuit may not be completely closed during operation.
- According to ISO 8573-1, the air quality is Class 3 maximum and free of oil, water and dirt.
- The average temperature viewed over a long period is 40 °C.
- Fault rates are calculated on the basis of a mean time to repair (MTTR) of 8 hours.
- In case of a fault, the pneumatic outlet of the positioner is depressurized. A spring in the pneumatic actuator must move the process valve to the pre-defined, safe end position.
- A dangerous failure of the positioner is one in which the pressure outlet is not depressurized or the safety position is not reached when the signal source is 0 mA or the power supply source is 0 V.

See also

Settings (Page 194)

9.6 Maintenance/check

Interval

We recommend that the functioning of the positioner is checked at regular intervals of one year.

Checking the safety function

Check the safety function as detailed in chapter "Settings (Page 194)"

Checking safety

Verify the safety function of the entire safety circuit on a regular basis in accordance with IEC 61508/61511. The test intervals are determined in the course of calculations for each safety circuit of a system (PFD_{AVG}).

Service and maintenance

10.1 Basic safety instructions

10.1.1 Maintenance

The device is maintenance-free. However, a periodic inspection according to pertinent directives and regulations must be carried out.

An inspection can include, for example, check of:

- Ambient conditions
- Seal integrity of the process connections, cable entries, and cover
- Reliability of power supply, lightning protection, and grounds

WARNING

Dust layers above 5 mm

Risk of explosion in hazardous areas.

Device may overheat due to dust build up.

- Remove dust layers in excess of 5 mm.

CAUTION

Releasing button lock

Improper modification of parameters could influence process safety.

- Make sure that only authorized personnel may cancel the button locking of devices for safety-related applications.

NOTICE

Penetration of moisture into the device

Device damage.

- Make sure when carrying out cleaning and maintenance work that no moisture penetrates the inside of the device.

10.2 Cleaning

The positioner is maintenance-free to a large extent. Screens are installed in the pneumatic connections of the positioners to protect them from rough dirt particles. If there are dirt particles in the supply air (PZ), they damage the screens and hamper the function of the positioner. Clean the screens as described in the following two chapters.

10.2.1 Positioners 6DR5..0, 6DR5..3 and 6DR5..5

Procedure for removal and cleaning of the screens

1. Switch off the supply pressure PZ.
2. Remove the pneumatic pipelines.
3. Unscrew the cover of the 6DR5..0 or 6DR5..3 enclosure.
4. Remove the three screws on the pneumatic terminal strip.
5. Remove the screens and O-rings behind the terminal strip.
6. Clean the screens, e.g. using compressed air.

Procedure for installation of the screens

 **CAUTION**

Damage to the polycarbonate enclosure 6DR5..0

- The enclosure is damaged due to screwing in the self-tapping screws improperly.
- Ensure that the available thread pitches are used.
- Turn the screws anticlockwise until they engage noticeably in the thread pitch.
- Tighten the self-tapping screws only after they have engaged.

1. Insert the screens into the recesses of the enclosure.
2. Place the O-rings on the screens.
3. Insert the pneumatic terminal strip.
4. Tighten the three screws. Note: With the polycarbonate enclosure, the screws are self-tapping.
5. Place the cover and tighten it.
6. Connect the pneumatic pipelines again.

10.2.2 Positioners 6DR5..1, 6DR5..2 and 6DR5..6

Removal, cleaning and installation of the screens

1. Switch off the supply pressure PZ.
2. Remove the pneumatic connecting cables.
3. Remove the metal screen from the bores carefully.
4. Clean the metal screens, e.g. using compressed air.
5. Insert the screens.
6. Connect the pneumatic pipelines again.

Cleaning the enclosure

- Clean the outside of the enclosure with the inscriptions and the display window using a cloth moistened with water or a mild detergent.
- Do not use any aggressive cleansing agents or solvents, e.g. acetone. Plastic parts or the painted surface could be damaged. The inscriptions could become unreadable.

 WARNING

Electrostatic charge

Risk of explosion in hazardous areas if electrostatic charges develop, for example, when cleaning plastic surfaces with a dry cloth.
--

- | |
|--|
| <ul style="list-style-type: none">• Prevent electrostatic charging in hazardous areas. |
|--|


10.3 Maintenance and repair work


Send defective devices to the repairs department, together with information on the malfunction and the cause of the malfunction. When ordering replacement devices, please provide the serial number of the original device. You can find the serial number on the nameplate.


 WARNING
--

Impermissible repair of the device

- | |
|--|
| <ul style="list-style-type: none">• Repair must be carried out by Siemens authorized personnel only. |
|--|

 WARNING
Maintenance during continued operation in a hazardous area
There is a risk of explosion when carrying out repairs and maintenance on the device in a hazardous area.
<ul style="list-style-type: none">• Isolate the device from power.
- or -
<ul style="list-style-type: none">• Ensure that the atmosphere is explosion-free (hot work permit).

 WARNING
Impermissible accessories and spare parts
Risk of explosion in areas subject to explosion hazard.
<ul style="list-style-type: none">• Only use original accessories or original spare parts.• Observe all relevant installation and safety instructions described in the instructions for the device or enclosed with the accessory or spare part.

 WARNING
Improper connection after maintenance
Risk of explosion in areas subject to explosion hazard.
<ul style="list-style-type: none">• Connect the device correctly after maintenance.• Close the device after maintenance work.
Refer to Electrical data (Page 246).

10.4 Replace basic electronics

Condition

- You are familiar with the general procedure described in the section "General information on installing option modules (Page 51)".

Procedure

Note

Possible movement of the actuator

While replacing the basic electronics, the actuator can unintentionally vent itself.

- Observe the procedure described below.
-

Removing

1. Switch off the supply pressure PZ and depressurize the actuator.
2. Open the positioner as in the description depending on the device version:
 - Opening the standard and intrinsically safe version (Page 52)
 - Opening the device version with "flameproof enclosure" (Page 55)
3. Remove the ribbon cable from the basic electronics.
4. Tighten the two fixing screws of the basic electronics.
5. Remove the basic electronics.
6. Place the new basic electronics onto the four holders of the rack.

Installation

1. Tighten the two fixing screws of the basic electronics.
2. Tighten the screws.
3. Close the positioner as in the description depending on the device version:
 - Closing the standard and intrinsically safe version (Page 53)
 - Closing the device version with "flameproof enclosure" (Page 58)
4. For a positioner with order option -Z F01 "Fail in Place", adjust the parameter "51.PNEUM (Page 160)" from "Std" to "FIP".
5. Switch on the supply pressure PZ.
6. Initialize the positioner as described in section "Commissioning (Page 105)".

10.5 Replace pneumatic block

Requirement

- You are familiar with the general procedure described in the section "General information on installing option modules (Page 51)".

Procedure

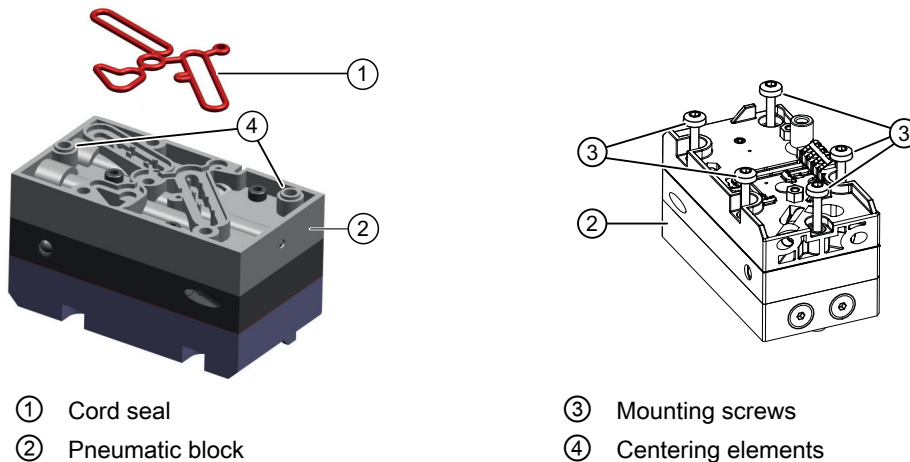


Figure 10-1 Pneumatic block

Removing

- Switch off the supply pressure PZ and depressurize the actuator.
- Open the positioner as in the description depending on the device version:
 - Opening the standard and intrinsically safe version (Page 52)
 - Opening the device version with "flameproof enclosure" (Page 55)
- Remove the ribbon cable from the basic electronics.
- Tighten the two fixing screws of the basic electronics.
- Remove the basic electronics.
- Remove the fixing screws ③ of the pneumatic block ②.
Four screws for the single-acting pneumatic block. Five screws for the double-acting pneumatic block.
- Remove the pneumatic block ② and the cord seal ①.
- Blow the existing dirt from the surface on which the pneumatic block was placed.

Installation

- Insert the new cord seal ① into the new pneumatic block ②.
- Press the cord seal ① into the groove on the pneumatic block ② on all sides.

3. Place the new pneumatic block on the base plate.
Make sure that the pneumatic block engages with the centering elements ④ on the baseplate.
4. Screw the supplied fixing screws ③ into the pneumatic block.
5. Tighten the fixing screws with a torque of 1.1 Nm.
6. Place the new basic electronics onto the four holders of the adapter.
7. Tighten the two fixing screws of the basic electronics.
8. Tighten the fixing screws.
9. Close the positioner as in the description depending on the device version:
 - Closing the standard and intrinsically safe version (Page 53)
 - Closing the device version with "flameproof enclosure" (Page 58)
10. For a positioner with order option -Z F01 "Fail in Place", adjust the parameter '51.PNEUM' Pneumatics type (Page 160) from "Std" to "FIP".
11. Switch on the supply pressure PZ.
12. Initialize the positioner as described in section "Commissioning (Page 105)".

10.6 Replace the pressure sensor module

Condition

- You have a positioner with a built-in pressure sensor module, order suffix -Z P01.
- You are familiar with the procedure described in the section "Replace pneumatic block (Page 202)".

Overview screen

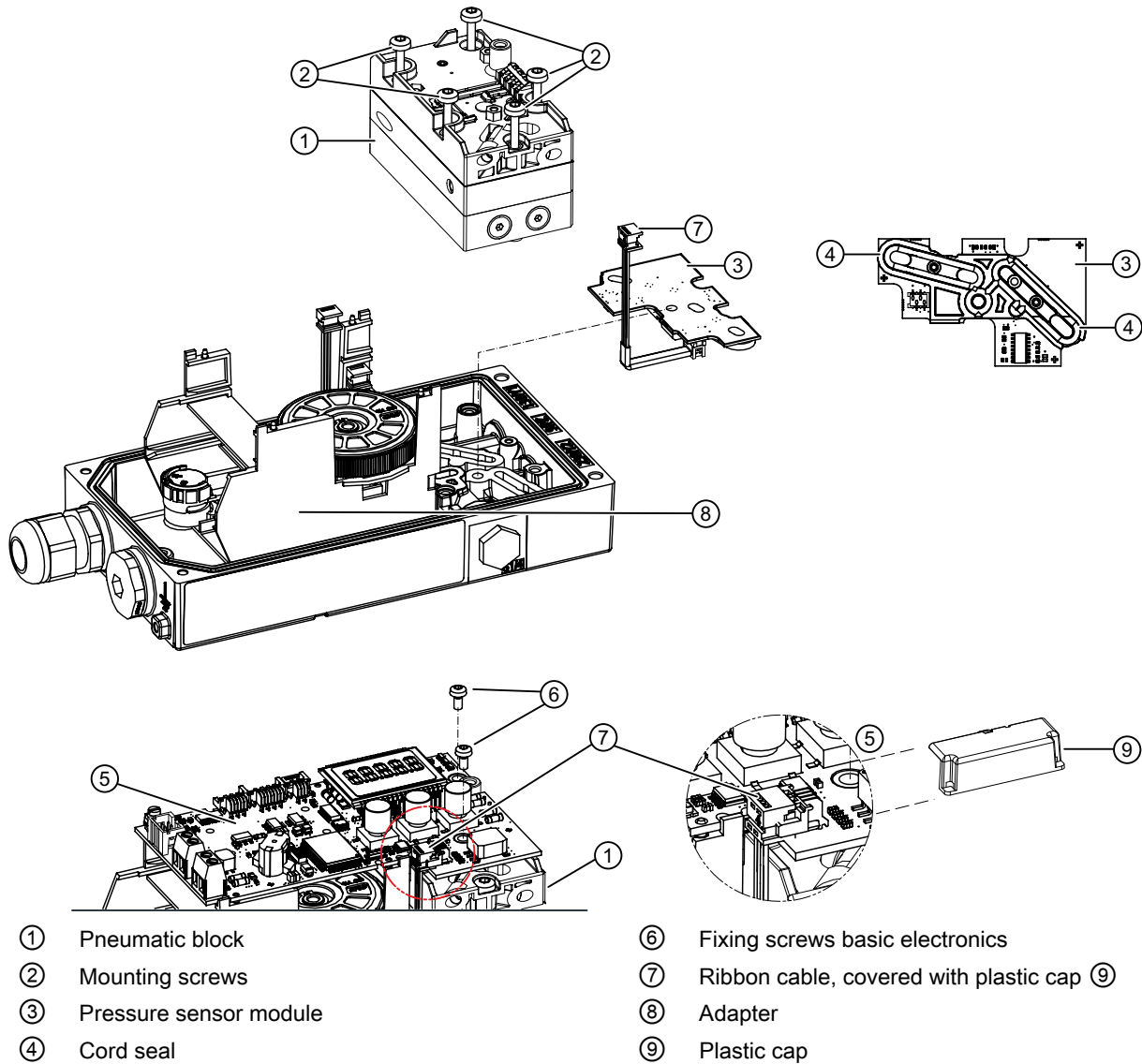


Figure 10-2 Pressure sensor, schematic diagram

Procedure

Removing

1. Switch off the supply pressure PZ and depressurize the actuator.
2. Open the positioner as described in section "Opening the standard and intrinsically safe version (Page 52)".
3. Remove the plastic cap ⑨.
4. Remove the ribbon cable ⑦ and all other ribbon cables from the basic electronics ⑤.

5. Loosen the two fixing screws ⑥ of the basic electronics.
6. Remove the basic electronics ⑤.
7. Remove the fixing screws ② of the pneumatic block ①.
Four screws for the single-acting pneumatic block. Five screws for the double-acting pneumatic block.
8. Remove the pneumatic block ①.
Make sure that the cord seal ④ of the pneumatic block is in the pneumatic block.
9. Blow the existing dirt from the surface on which the pneumatic block was placed.
10. Remove the pressure sensor module ③ and the cord seal ④ of the pressure sensor module.

Installation

1. Insert the new cord seal ④ into the new pressure sensor module ③.
2. Press the cord seal ④ into the groove on the pressure sensor module ③ on all sides.
3. Place the pressure sensor module ③ on the baseplate.
4. Place the pneumatic block ① on the pressure sensor module ③.
 - Make sure that the cord seal ④ of the pneumatic block is in the pneumatic block.
 - Make sure that the pneumatic block engages with the centering elements ④ (Page 202) on the baseplate.
5. Screw the fixing screws ② into the pneumatic block ①.
6. Tighten the fixing screws ② with a torque of 1.1 Nm.
7. Place the basic electronics ⑤ onto the four holders of the adapter ⑧.
8. Screw in the two fixing screws ⑥ of the basic electronics.
9. Tighten the fixing screws ⑥.
10. Insert the ribbon cable ⑦ and all other ribbon cables onto the basic electronics ⑤.
11. Place the plastic cap ⑨.
12. Close the positioner as described in section "Closing the standard and intrinsically safe version (Page 53)".
13. For a positioner with order option -Z F01 "Fail in Place", adjust the parameter '51.PNEUM' Pneumatics type (Page 160) from "Std" to "FIP".
14. Switch on the supply pressure PZ.
15. Initialize the positioner as described in section "Commissioning (Page 105)".

Result

The pressure sensor module is ready to use again.

See also

Closing the device version with "flameproof enclosure" (Page 58)

Parameter assignment (Page 133)

General information on installing option modules (Page 51)

10.7 Return procedure

Enclose the bill of lading, return document and decontamination certificate in a clear plastic pouch and attach it firmly to the outside of the packaging.

Required forms

- Delivery note
- Return document (<http://www.siemens.com/processinstrumentation/returngoodsnote>) with the following information:
 - Product (item description)
 - Number of returned devices/replacement parts
 - Reason for returning the item(s)
- Decontamination declaration (<http://www.siemens.com/sc/declarationofdecontamination>)
With this declaration you warrant "that the device/replacement part has been carefully cleaned and is free of residues. The device/replacement part does not pose a hazard for humans and the environment."
If the returned device/replacement part has come into contact with poisonous, corrosive, flammable or water-contaminating substances, you must thoroughly clean and decontaminate the device/replacement part before returning it in order to ensure that all hollow areas are free from hazardous substances. Check the item after it has been cleaned. Any devices/replacement parts returned without a decontamination declaration will be cleaned at your expense before further processing.

10.8 Disposal



Devices described in this manual should be recycled. They may not be disposed of in the municipal waste disposal services according to the Directive 2012/19/EC on waste electronic and electrical equipment (WEEE).

Devices can be returned to the supplier within the EC, or to a locally approved disposal service for eco-friendly recycling. Observe the specific regulations valid in your country.

Further information about devices containing batteries can be found at: Information on battery/product return (WEEE) (<https://support.industry.siemens.com/cs/document/109479891/>)

Diagnostics and troubleshooting


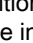
11.1 Output of system messages in the display

11.1.1 System messages before initialization

Remarks about the tables:

- nn Stands for variable numeric values
- ↳ Error symbol
- / (slash): the texts on the left and right of the slash flash alternately

Messages before initialization (first commissioning)

Message	Line		Meaning / cause	Measure
	Up	Down		
CPU Start	X	X	Message after application of electrical auxiliary power	<ul style="list-style-type: none"> • Maintenance
Pnnn.n	X		Potentiometer voltage of a non-initialized positioner (P-manual mode) (actual position value in % of the measuring range).	<ul style="list-style-type: none"> • Check whether the complete travel can be covered using the  and  buttons and that "P---" is never displayed. • Execute the initialization process.
P---	X		Measuring range was exceeded, the potentiometer is in the inactive zone, the transmission ratio selector or the effective lever arm are not adjusted as per the actuator travel.	<ul style="list-style-type: none"> • Switch the transmission ratio selector to 90°, especially in the case of part-turn actuators. • Adjust the effective lever length of linear actuators as per the measuring range.
NOINI		X	Positioner is not initialized.	<ul style="list-style-type: none"> • Start initialization.

See also

Display (Page 95)

11.1.2 System messages during initialization

Remarks about the tables:

- nn Stands for variable numeric values
- ↳ Error symbol
- / (slash): the texts on the left and right of the slash flash alternately



Messages during initialization

Message	Line		Meaning/cause	Measure
	Up	Down		
P---	X		Measuring range was exceeded, the potentiometer is in the inactive zone, the transmission ratio selectors or the effective lever arm are not adjusted as per the actuator travel	<ul style="list-style-type: none"> Switch the transmission ratio selector to 90°, especially in the case of part-turn actuators. Adjust the effective lever length of linear actuators as per the measuring range.
RUN 1		X	Initialization was started, part 1 is active (the direction of action is determined)	<ul style="list-style-type: none"> Wait.
RUN 2		X	Initialization part 2 is active (actuator travel check and determination of stops)	<ul style="list-style-type: none"> Wait.
RUN 3		X	Initialization part 3 is active (determination and display of travel times)	<ul style="list-style-type: none"> Wait.
RUN 4		X	Initialization part 4 is active (determination of the minimum controller increment length)	<ul style="list-style-type: none"> Wait.
RUN 5		X	Initialization part 5 is active (optimization of the transient response)	<ul style="list-style-type: none"> Wait until "FINSH" is displayed. Initialization was completed successfully.
YEND1		X	The first position of the stop can be approached only in case of a manual initialization	<ol style="list-style-type: none"> Approach first position of the stop with the button  or . Acknowledge using  button.
YEND2		X	The second position of the stop can be approached only in case of a manual initialization	<ol style="list-style-type: none"> Approach second position of the stop with the button  or . Acknowledge using  button.
RANGE		X	The position of the stop or the measuring span is beyond the permissible measuring range only in case of a manual initialization	<ul style="list-style-type: none"> Approach a different position of the stop using  or  button and acknowledge using  button. Move the friction clutch until "ok" is displayed, and then acknowledge with the  button. Terminate the initialization process using the  button, switch to the P-manual mode, and correct the actuator travel and the position displacement sensor.
ok		x	The permissible measuring range of end positions is achieved only in case of a manual initialization	<ul style="list-style-type: none"> Use the  button to acknowledge; the remaining steps ("RUN 1" to "FINSH") run automatically.
RUN 1 / ERROR		X	Error in "RUN 1", no movement e.g. due to the lack of compressed air	<p>Possible causes:</p> <ul style="list-style-type: none"> Insufficient supply of compressed air. Restrictor(s) blocked. Actuator does not move freely. <p>Measures:</p> <ol style="list-style-type: none"> Eliminate possible causes. Restart initialization.

11.1 Output of system messages in the display

Message	Line		Meaning/cause	Measure
	Up	Down		
↳d__U		X	Bar graph display of the zero point is outside the tolerance range	<ol style="list-style-type: none"> 1. Set between "P 4.0" and "P 9.9" (>0<) using friction clutch. 2. Continue using ▲ or ▼ button.
SEt	X		Friction clutch was moved; "P 50.0" not displayed when the lever is horizontal	<ol style="list-style-type: none"> 1. In the case of linear actuators, use the ▲ or ▼ button to bring the lever perpendicular to the spindle. 2. Briefly acknowledge using ☒ button (initialization is continued).
MIDDL		X		
↳UP >		X	"UP" tolerance range was exceeded or the inactive zone of the potentiometer was covered.	<ol style="list-style-type: none"> 1. Increase the effective lever length of the linear actuators or switch the transmission ratio selector to 90°. 2. Briefly acknowledge using ☒ button. 3. Restart initialization.
↳90_95		X	Possible only in case of part-turn actuators: actuator travel is not in the range between 90 and 95%	<ol style="list-style-type: none"> 1. Use the ▲ or ▼ button to move it in the range between 90 and 95%. 2. Briefly acknowledge using ☒ button.
↳U-d>		X	"Up-Down" measuring span was undershot	<ol style="list-style-type: none"> 1. Decrease the effective lever length of the linear actuators or switch the transmission ratio selector to 33°. 2. Briefly acknowledge using ☒ button. 3. Restart initialization.
U nn.n	X		Display of the "Up" travel time	<ul style="list-style-type: none"> • Wait until initialization continues in RUN 4. • To change the travel time, interrupt the initialization process using the ▼ button. • Activate the leakage test using the ▲ button.
D->U		X		
D nn.n	X		Display of the "Down" travel time	<ul style="list-style-type: none"> • Wait until initialization continues in RUN 4. • To change the travel time, interrupt the initialization process using the ▼ button. • Activate the leakage test using the ▲ button.
U->d		X		
NOZZL		X	Actuator stops (the initialization process was interrupted using the "-" button when the actuation speed display was active)	<ol style="list-style-type: none"> 1. The travel time can be changed by adjusting the restrictor(s). 2. Redetermine the positioning speed using the ▼ button. 3. Continue using ▲ button.
TEST	X		Leakage test active (the "+" button was pressed when the actuation speed display was active)	<ul style="list-style-type: none"> • Wait for one minute.
LEAKG		X		
nn.n	X		Value and unit of the result after the leakage test	<ul style="list-style-type: none"> • Rectify the leakage if the value is too large. • Continue using ▲ button.
%/MIN		X		

11.1 Output of system messages in the display

Message	Line		Meaning/cause	Measure
	Up	Down		
nn.n	X		Initialization completed successfully with the display of actuator travel or the actuator angle	1. Briefly acknowledge using  button. 2. Leave configuration level with a long press on the  button.
FINISH		X		

See also

System messages before initialization (Page 207)

11.1.3 System messages when exiting the Configuration mode

Remarks about the tables:

- nn Stands for variable numeric values
- ↳ Error symbol
- / (slash): the texts on the left and right of the slash flash alternately

Messages when exiting the configuration mode:


Message	Line		Operating mode			Meaning / cause	Measure
	Up	Bottom	Automatic	Manual mode	P manual mode		
n.nn.nn- nn	X					Software version	• Maintenance
Error SLnn	X					Monotony interruption of the free characteristic on the setpoint turning point n	• Correct the value

11.1.4 System messages during operation

Remarks about the tables:

- nn Stands for variable numeric values
- ↳ Error symbol
- / (slash): The texts on the left and right of the slash flash alternately

Messages during operation

Message	Line		Operating mode			Meaning / cause	Measure
	Top	Bot- tom	Automat- ic	Manual mode	P man- ual mode		
CPU START	X					Message after application of electrical auxiliary power.	<ul style="list-style-type: none"> • Wait
HW / ERROR		X				Fault in the hardware.	<ul style="list-style-type: none"> • Replace electronics.
NOINI		X			X	Positioner is not initialized.	<ul style="list-style-type: none"> • Start initialization.
nnn.n	X		X	X		Actual position [in %] for initialized positioner. Flashing decimal point shows communication with a class 2 master.	
AUTnn		X	X			Automatic mode (nn = setpoint)	
MANnn		X		X		Manual mode (nn = setpoint)	<ul style="list-style-type: none"> • Switch to automatic mode with .
oFL / 127.9	X		X	X		Display range exceeded. Possible causes: <ul style="list-style-type: none"> • Friction clutch or • Transmission ratio selector was moved or • Positioner was installed on a different actuator without being re-initialized. 	<ul style="list-style-type: none"> • Offset friction clutch so that, when the actuator moves, the actual value display stays between 0.0 and 100.0, or • Adjust the transmission ratio selector or • Perform factory settings (Preset) and initialization.
EXSTP		X	X			Actuator was stopped by the digital input.	
EX UP		X	X			Actuator is moved to the upper endstop by the digital input.	
EXDWN		X	X			Actuator is moved to the lower endstop by the digital input.	
EXPSt						The partial stroke test was activated, e.g. by the digital input.	
InPSt						Cyclic partial stroke test.	
FST		X	X			Full stroke test running.	
SRT		X	X			Step response test running.	
MSRT		X	X			Multi-step response test running.	
VPT		X	X			Valve performance test running.	
LEAKR		X	X			A leakage test started by communication is running.	

11.2 Diagnostics

11.2.1 Display of diagnostics values



Structure of the diagnostics display

The display in "Diagnostics" mode has a structure similar to that in "Configuration" mode:



- The upper line shows the value of the diagnostics variable.
- The lower line shows the number and the abbreviation of the displayed variable.

Some diagnostics value can be greater than 99999. In such a case, the display switches over to the exponential view. Example: The value "1234567" is shown as "1.23E6".


General procedure

1. Press all three buttons at the same time for at least 2 seconds. You are now in the diagnostics display.
2. Use the  button to select the next diagnostics value.
3. Press the  button for at least 2 seconds in order to exit the diagnostics display.

How to show the diagnostics values in reverse order


Press the  and  buttons simultaneously.

How to set values to zero

Specific values can be set to zero by pressing the  button for at least 5 seconds. The diagnostics values which can be reset are listed in the table in section "Overview of diagnostics values (Page 213)".

11.2.2 Saving the diagnostics values

The diagnostic values are written into a non-volatile memory every 15 minutes so that, in the event of a power failure, only the diagnostic values of the previous 15 minutes are lost. The values in the resettable parameters can be set to zero.

To do this, press the  button for at least 5 seconds.

The diagnostic values which can be reset can be found in the table in section Overview of diagnostics values (Page 213).


11.2.3 Overview of diagnostics values

Explanatory notes on the following table

- The "Representable diagnostics values" column shows the factory settings for the diagnostics parameters in bold type.
- The "Properties" column shows the properties of the diagnostics parameters:
 - ① Diagnostics value can be read and reset
 - ② Diagnostics value can be read but **not** reset
 - ③ Diagnostics value can be read but **not** reset. A function can be executed.
 - ④ Diagnostics value can be read, manually reset, and manually changed

Overview of diagnostics values

No.	Short designation	Meaning	Representable diagnostics values	Unit	Properties
1	STRKS	Number of total strokes	0 ... 4.29E9	-	①
2	CHDIR	Number of changes in direction	0 ... 4.29E9	-	①
3	LCNT	Number of fault messages	0 ... 4.29E9	-	①
4	A1CNT	Number of alarms 1	0 ... 4.29E9	-	①
5	A2CNT	Number of alarms 2	0 ... 4.29E9	-	①
6	HOURS	Number of operating hours	0 ... 4.29E9	Hours	②
7	HOURR	Resettable operating hours counter	0 ... 4.29E9		①
8	WAY	Determined travel	0 ... 130	mm or °	②
9	TUP	Travel time up	0.0 / 0 ... 1000	s	②
10	TDOWN	Travel time down	0.0 / 0 ... 1000	s	②
11	LEAK	Leakage test	- / 0.0 ... 100.0	%/minute	③
12	PST	Monitoring of partial stroke test	OFF / ###.#, Fdlni, notSt, SdtSt, fdtSt, notoL, Strt, StoP	s for ###.#	③
13	PRPST	Time since last partial stroke test	###, notSt, Sdst, fdtSt	Days	②
14	NXPST	Time until next partial stroke test	OFF / ###	Days	②
15	DEVI	Dynamic control valve behavior	0.0 ... 100.0	%	②
16	ONLK	Pneumatic leakage	0.0 ... 100.0	-	②
17	STIC	Stiction (slipstick)	0.0 ... 100.0	%	②
18	ZERO	Lower endstop	0.0 ... 100.0	%	②
19	OPEN	Upper endstop	0.0 ... 100.0	%	②
20	PAVG	Average value of position	OFF, IdLE, rEF, COMP 0.0 ... 100.0	%	②
21	P0	Potentiometer value of lower endstop (0%)	0.0 ... 100.0	%	③
22	P100	Potentiometer value of upper endstop (100%)	0.0 ... 100.0	%	③

No.	Short designation	Meaning	Representable diagnostics values	Unit	Properties
23	IMPUP	Pulse length up	6 ... 160	ms	④
24	IMPDN	Pulse length down	6 ... 160	ms	④
25	PAUTP	Pulse pause	2 ... 28 ... 320	ms	④
26	DBUP	Deadband up	0.1 ... 10.0	%	②
27	DBDN	Deadband down	0.1 ... 10.0	%	②
28	SSUP	Slow step zone up	0.1 ... 10.0 ... 100.0	%	④
29	SSDN	Slow step zone down	0.1 ... 10.0 ... 100.0	%	④
30	TEMP	Current temperature	-50 ... 100 -58 ... 212	°C °F	②
31	TMIN	Minimum temperature (min/max pointer)	-50 ... 100 -58 ... 212	°C °F	②
32	TMAX	Maximum temperature (min/max pointer)	-50 ... 100 -58 ... 212	°C °F	②
33	T1	Number of operating hours in temperature range 1	0 ... 4.29E9	Hours	②
34	T2	Number of operating hours in temperature range 2	0 ... 4.29E9	Hours	②
35	T3	Number of operating hours in temperature range 3	0 ... 4.29E9	Hours	②
36	T4	Number of operating hours in temperature range 4	0 ... 4.29E9	Hours	②
37	T5	Number of operating hours in temperature range 5	0 ... 4.29E9	Hours	②
38	T6	Number of operating hours in temperature range 6	0 ... 4.29E9	Hours	②
39	T7	Number of operating hours in temperature range 7	0 ... 4.29E9	Hours	②
40	T8	Number of operating hours in temperature range 8	0 ... 4.29E9	Hours	②
41	T9	Number of operating hours in temperature range 9	0 ... 4.29E9	Hours	②
42	VENT1	Number of switching cycles pneumatic block, Valve 1	0 ... 4.29E9	-	②
43	VENT2	Number of switching cycles pneumatic block, Valve 2	0 ... 4.29E9	-	②
44	VEN1R	Number of switching cycles pneumatic block, Valve 1, resettable	0 ... 4.29E9	-	①
45	VEN2R	Number of switching cycles pneumatic block, Valve 2, resettable	0 ... 4.29E9	-	①
46	STORE	Save the current values as 'last maintenance' (press  button for 5 seconds)	-	-	③
47	PRUP	Prediction up	1 ... 40	-	④
48	PRDN	Prediction down	1 ... 40	-	④
49	WT00	Number of operating hours in the travel range WT00	0 ... 4.29E9	Hours	①
50	WT05	Number of operating hours in the travel range WT05	0 ... 4.29E9	Hours	①
51	WT10	Number of operating hours in the travel range WT10	0 ... 4.29E9	Hours	①
52	WT30	Number of operating hours in the travel range WT30	0 ... 4.29E9	Hours	①
53	WT50	Number of operating hours in the travel range WT50	0 ... 4.29E9	Hours	①
54	WT70	Number of operating hours in the travel range WT70	0 ... 4.29E9	Hours	①
55	WT90	Number of operating hours in the travel range WT90	0 ... 4.29E9	Hours	①
56	WT95	Number of operating hours in the travel range WT95	0 ... 4.29E9	Hours	①
57	LKPUL	Length of the leakage compensation pulse	-256 ... 0 ... 254	ms	②
58	LKPER	Period of the leakage compensation pulse	0.00 ... 600.00	s	②

59	mA	Setpoint current	0.0 ... 20.0	mA	②
60	PZ	Supply pressure (PZ)	99.999 (bar)	-	③
63	PZMAX	Supply pressure (PZ) min/max pointer	999.99 (psi) 9.9999 (MPa)	-	①
64	N_MIN	Event counter	0 ... 99999	-	①

11.2.4 Meaning of the diagnostics values

11.2.4.1 Diagnostic value '1.STRKS - Number of total strokes'

Display range: 0 ... 4.29E9

Purpose: In operation, the movements of the actuator are summed up and displayed in this diagnostics parameter as the number of strokes.
Unit: 100% strokes, i.e. the path between 0% and 100% and back.

11.2.4.2 Diagnostic value '2.CHDIR - Number of changes in direction'

Display range: 0 ... 4.29E9

Purpose: Every change in direction of the actuator is noted in the controller and added to the number of changes in direction.

11.2.4.3 Diagnostic value '3.\CNT - Number of fault messages'

Display range: 0 ... 4.29E9

Purpose: Every fault is noted in the closed-loop controller with '3.\CNT' and added to the number of fault messages.

11.2.4.4 Diagnostic value '4.A1CNT - Number of alarms 1' / '5.A2CNT - Number of alarms 2'

Requirement: '44.AFCT' Alarm function (Page 156) parameter is activated.

Display range: 0 ... 4.29E9

Purpose: This value indicates how often the alarm has been triggered.

11.2.4.5 Diagnostic value '6.HOURS - Number of operating hours'

Display range: 0 ... 4.29E9
Purpose: The runtime meter is incremented every hour as soon as electric auxiliary power is supplied to the positioner.

11.2.4.6 Diagnostic value '7.HOURR - Resettable operating hours counter'

Display range: 0 ... 4.29E9
Purpose: The runtime meter is incremented every hour as soon as electric auxiliary power is supplied to the positioner. In contrast to Diagnostic value '6.HOURS - Number of operating hours' (Page 216), this value can be reset.
Description: In order to minimize the control valve wear resulting from a poor control quality, it makes sense to optimize the positioner's parameters. You can recognize optimum parameter settings when the values of the Diagnostic value '44.VEN1R' / '45.VEN2R' (Page 225) are low. Low values mean that the switching frequency of the positioner pneumatics is also low. In order to carry out a comparison with various parameter settings, determine the number of switching cycles per hour. To do this, use the values of the Diagnostic value '44.VEN1R' / '45.VEN2R' (Page 225) and '7.HOURR'. These three parameters can be reset to enable simpler determination of the values.


11.2.4.7 Diagnostic value '8.WAY - Determined travel'

Condition for linear actuator: The travel is set in the '3.YWAY' Range of stroke (Page 145) parameter.
Display range: 0 ... 130
Purpose: This value in mm or ° specifies the travel determined during the initialization.


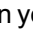
11.2.4.8 Diagnostic value '9.TUP - Travel time up' / '10.TDOWN - Travel time down'

Display range: 0 ... 1000
Purpose: This value indicates the current UP or DOWN travel time in seconds determined during the initialization.

11.2.4.9 Diagnostic value '11.LEAK - Leakage test'

Condition	The positioner is initialized and in manual mode (MAN).
Display range:	<ul style="list-style-type: none"> • - • 0.0 ... 100.0
Purpose:	<p>You can use this diagnostics parameter to read the last test result or start an offline leakage test with which you can detect leakages in the actuator or in the pipe installation. Display is percent stroke per minute referred to the total stroke. A test result originates from one of the following options:</p> <ul style="list-style-type: none"> • Function '11.LEAK' has already been carried out. • Leakage test was already carried out during initialization, see procedure of RUN 3 in section Sequence of automatic initialization (Page 109). • 'Offline leakage test' function was already executed by a HOST system. <p>"-" in the display can have the following causes:</p> <ul style="list-style-type: none"> • A leakage test has not yet been carried out. • Resetting to the factory settings was carried out using the '50.PRST' Preset (Page 160) > ALL parameter. • Positioner is not initialized. <p>How to start the test</p> <ol style="list-style-type: none"> 1. Move the actuator to the position at which you wish to start the test. 2. In 'Diagnostics' mode, go to the '11.LEAK' diagnostic value as described in section Display of diagnostics values (Page 212). 3. Start the function by pressing the  button for at least 5 seconds.
Description:	<p>'Strt' is output in the display. The function is started after 5 seconds. 'tESt' and the current position of the actuator (actual value) are then displayed alternately for one minute.</p> <p>After one minute, the display shows the difference in the actuator position before and after the test. This means: the actuator position has changed by the displayed value in one minute.</p>

11.2.4.10 Diagnostic value '12.PST - Monitoring of partial stroke test'

Indication on the display:	<ul style="list-style-type: none">• OFF• C-ERR• FdIni• notSt• ###.#• SdtSt• FdtSt
Purpose:	<p>This diagnostics parameter indicates the stroke time measured during the last partial stroke test.</p> <p>A partial stroke test can be initiated manually or a current partial stroke test can be interrupted by pressing the  button.</p>
Description of indications on the display:	<ul style="list-style-type: none">• OFF: The partial stroke test function is deactivated.• C-ERR: Configuration error. Partial stroke test cannot be started. Settings in the 'A1.STPOS start position', 'A3.STRKH stroke height' and 'A4.STRKD stroke direction' are not plausible.• FdIni - Failed PST Initialization: The reference stroke time measurement of the partial stroke test has failed.• notSt - No Test: A partial stroke test has not yet been executed.• ###.#: Corresponds to the measured stroke time in seconds. The last partial stroke test was successfully executed.• SdtSt - Stopped Test: The last partial stroke test was interrupted.• FdtSt - Failed Test: The last partial stroke test has failed.
Status messages:	<p>The following status messages appear when you hold the  button pressed:</p> <ul style="list-style-type: none">• notoL - No Tolerance: The control valve is beyond the tolerance range to start the partial stroke test. A manual partial stroke test is not started.• Strt - Start: A manual partial stroke test is started five seconds after pressing the button.• StoP - Stop: The current partial stroke test is interrupted. 'WAIT' is output in the display.
Factory setting:	OFF

11.2.4.11 Diagnostic value '13.PRPST' - Time since last partial stroke test'

- Indication on the display:
- ###
 - notSt
 - Sdtst
 - FdtSt
- Purpose: This diagnostics parameter shows the elapsed time in days since the last partial stroke test.
- Status messages:
- notSt - No Test: A manual partial stroke test has not yet been executed.
 - SdtSt - Stopped Test: The last partial stroke test was interrupted.
 - FdtSt - Failed Test: The last partial stroke test has failed.

11.2.4.12 Diagnostic value '13.PRPST - Time since last partial stroke test' (version with pressure sensor module)

- Indication on the display:
- ###
 - notSt
 - noREF
 - Sdtst
 - FdtSt
- Purpose: This diagnostics parameter shows the elapsed time in days since the last partial stroke test.
- Status messages:
- notSt - No Test: A manual partial stroke test has not yet been executed.
 - noREF: A reference partial stroke test has not yet been executed.
 - SdtSt - Stopped Test: The last partial stroke test was interrupted.
 - FdtSt - Failed Test: The last partial stroke test has failed.

11.2.4.13 Diagnostic value '14.NXPST - Time until next partial stroke test'

- Requirement:
- The partial stroke test is activated in 'Configuration' mode.
 - The test interval is set in the 'A8.INTRV' parameter.
- Indication on the display:
- OFF
 - ###
- Purpose: This diagnostics parameter shows the time in days until the next partial stroke test. If one of the above-mentioned conditions is not met, 'OFF' is shown on the display.

11.2.4.14 Diagnostics value '15.DEVI - Dynamic control valve behavior'

Requirement: Monitoring of dynamic control valve behavior 'b.\DEV1' (Page 168) parameter is activated.

Display range: 0.0 ... 100.0

Purpose: This value in percent provides information about the current dynamically determined deviation from the model response.

11.2.4.15 Diagnostic value '16.ONLK - Pneumatic leakage'

Requirement: Monitoring/compensation of pneumatic leakage 'C.\LEAK' (Page 170) parameter is activated.

Display range: 0 ... 100

Purpose: This diagnostics parameter shows the current leakage indicator.

11.2.4.16 Diagnostic value '17.STIC - Stiction (slipstick)'

Requirement: Monitoring of stiction (slipstick) 'd.\STIC' (Page 173) parameter is activated.

Display range: 0.0 ... 100.0

Purpose: This diagnostics parameter shows the filtered value of the slip jumps in percent resulting from the stiction.

11.2.4.17 Diagnostic value '18.ZERO - Lower endstop'

Requirement: Monitoring of lower endstop 'F.\ZERO' (Page 176) parameter is activated.

'39.YCLS' Tight closing/fast closing with manipulated variable (Page 153) Parameter is set to one of the following values: 'do', 'uP do', 'Fd', 'Fu Fd', 'uP Fd', 'Fu do'

Display range: 0.0 ... 100.0

Purpose: Indication of how many percent the lower endstop has changed compared to its value during initialization.

11.2.4.18 Diagnostic value '19.OPEN - Upper endstop'

Requirement:	Monitoring the upper endstop 'G.\OPEN' (Page 177) parameter is activated. '39.YCLS' Tight closing/fast closing with manipulated variable (Page 153) parameter is set to one of the following values: 'uP', 'uP do', 'Fu', 'Fu Fd', 'uP Fd', 'Fu do'
Display range:	0.0 ... 100.0
Purpose:	An indication of the current shift of the upper endstop compared to its initialization value.

11.2.4.19 Diagnostic value '20.PAVG - Average value of position'

Indication on the display:	<ul style="list-style-type: none"> • OFF • IdLE • rEF • COMP
Purpose:	<p>This value shows the last calculated comparison average. Meaning of the displays:</p> <ul style="list-style-type: none"> • OFF: The underlying function is deactivated in the configuration menu. • IdLE : Inactive. The function has not been started yet. • rEF: The reference average is calculated. The function was started, and the reference interval is in progress at the moment. • COMP: The comparison average is calculated. The function was started, and the comparison interval is in progress at the moment.

11.2.4.20 Diagnostic value '21.P0 - Potentiometer value of lower endstop (0%)' / '22.P100 - Potentiometer value of upper endstop (100%)'

Display range:	<ul style="list-style-type: none"> • NO • 0.0 ... 100.0 <p>'NO': Changing the low or upper endstop is not possible in the current state of the control valve. Initialize the positioner again.</p>
Condition 1 - read values	The positioner is initialized.
Purpose 1	<p>Read values</p> <p>You can use the P0 and P100 parameters to read the values for the lower endstop (0%) and the upper endstop (100%) of the position measurement as determined during the automatic initialization. The values of manually approached end positions are applicable for manual initialization.</p>

Condition 2 -
change values

- The positioner is initialized and in manual mode (MAN) or automatic mode (AUT).
- The current position of the actuator is within the range -10% to +10% of the lower endstop (P0).
- The current position of the actuator is within the range 90% to 110% of the upper endstop (P100).

Purpose 2:

Change values

You can use these two parameters to change the lower endstop (P0) and the upper endstop (P100).

Since initialization is not usually carried out under process conditions, the values for the lower endstop (P0) and the upper endstop (P100) can change when the process is started. These changes can result from temperature changes with the associated thermal expansion of the material. If the Monitoring of lower endstop 'F.\ZERO' (Page 176) and Monitoring the upper endstop 'G.\OPEN' (Page 177) parameters are active, the thresholds set in these two parameters can be exceeded as a result of thermal expansion. An error message is output in the display.

The process-dependent thermal expansion might represent the normal state in your application. You do not wish to receive an error message as a result of this thermal expansion. Therefore reset the 'P0' and/or 'P100' parameters after the process-dependent thermal expansion has had its complete effect on the control valve. The procedure is described in the following.

Description:

Procedure for manual mode (MAN)

1. Move the actuator to the desired position of the lower endstop (upper endstop) using the Δ and ∇ buttons.
2. Switch to diagnostics mode.
3. Go to diagnostic value 21.P0 (22.P100).
4. Apply the setting by pressing the Δ button for at least 5 seconds. After 5 seconds, '0.0' (with 22.P100: '100.0') is displayed. Result: The lower endstop (upper endstop) now corresponds to the current position of the actuator.
5. Switch to manual mode (MAN). Result: Values for the upper endstop (lower endstop) have changed.

Procedure for automatic mode (AUT)

1. Check in the display whether the current position of the actuator is at the desired position of the lower endstop (upper endstop).
2. Switch to diagnostics mode.
3. Go to diagnostic value 21.P0 (22.P100).
4. Apply the setting by pressing the Δ button for at least 5 seconds. After 5 seconds, '0.0' (with 22.P100: '100.0') is displayed. Result: The lower endstop (upper endstop) now corresponds to the current position of the actuator.
5. Switch to automatic mode (AUT).

See also

Changing the operating mode (Page 98)

11.2.4.21 Diagnostic value '23.IMPUP - Pulse length up' / '24.IMPDN - Pulse length down'

Display range:	6 ... 160
Purpose:	The smallest impulse lengths that can be used to move the actuator are determined during the initialization process. They are separately determined for the 'Up' and 'Down' directions and displayed here. Display in ms. In the case of special applications you can additionally set the smallest impulse lengths in these two parameters.
Factory setting:	6

See also

Mode of operation (Page 30)

Optimization of controller data (Page 101)

11.2.4.22 Diagnostic value '25.PAUTP - Pulse interval'

Display range:	2 ... 320
Purpose:	This value is not changed during an initialization process. Display in ms. For applications with high stiction (slipstick), adjusting this parameter improves the control quality. This parameter can be set for special applications.
Factory setting:	28

See also

Mode of operation (Page 30)

11.2.4.23 Diagnostic value '26.DBUP - Deadband up' / '27.DBDN - Deadband down'

Display range:	0.1 ... 10.0
Purpose:	In this parameter, you can read the deadbands of the controller in the 'Up' and 'Down' directions. Display in percent. The values correspond either to the manually configured value of the '34.DEBA' Deadband of closed-loop controller (Page 150) parameter or to the value automatically adapted by the device if 'DEBA' was set to 'Auto'.


11.2.4.24 Diagnostic value '28.SSUP - Slow step zone up' / '29.SSDN - Slow step zone down'

Display range: 0.1 ... 100.0
Purpose: The slow step zone is the zone of the closed-loop controller in which control signals are issued in a pulsed manner. Display is in percent. The impulse length is thus proportional to the control deviation. If the control deviation is beyond the slow step zone, the valves are controlled using permanent contact.
This parameter can be set for special applications.
Factory setting: 10.0


See also

Mode of operation (Page 30)
Optimization of controller data (Page 101)

11.2.4.25 Diagnostic value '30.TEMP - Current temperature'

Display range: °C: -50 ... 100
°F: -58 ... 212
Purpose: Current temperature in the positioner enclosure. The sensor is present on the basic electronics. In order to switch over the temperature display between °C and °F, press the  button.

11.2.4.26 Diagnostic value '31.TMIN - Minimum temperature' / '32.TMAX - Maximum temperature'

Display range: °C: -50 ... 100
°F: -58 ... 212
Purpose: The minimum and maximum temperatures within the enclosure are constantly determined and saved as with a min/max pointer. This value can only be reset in the factory.
In order to switch over the temperature display between °C and °F, press the  button.

11.2.4.27 Diagnostic value '33.T1' ... '41.T9' - Number of operating hours in the temperature range 1 to 9

Display range: 0 ... 4.29E9
 Purpose: Statistics about the duration of operation in different temperature ranges is maintained in the device. An average of the measured temperature is taken every hour and the counter assigned to the corresponding temperature range is incremented. This helps in drawing conclusions about the past operating conditions of the device and the entire control valve.
 The temperature ranges are classified as follows:

	T1	T2	T3	T4	T5	T6	T7	T8	T9
Temperature range [°C]	-	≥ -30	≥ -15	≥ 0	≥ 15	≥ 30	≥ 45	≥ 60	≥ 75
	≤ -30	< -15	< 0	< 15	< 30	< 45	< 60	< 75	-

Operating hours in temperature ranges T1 to T2

11.2.4.28 Diagnostic value '42.VENT1' / '43.VENT2'

'42.VENT1' number of switching cycles pneumatic block, Valve 1
 '43.VENT2' number of switching cycles pneumatic block, Valve 2
 Display range: 0 ... 4.29E9
 Purpose: Control operations of the pneumatic block are summarized and displayed in this parameter.
 Description: The pneumatic block of the positioner pressurizes and depressurizes the actuator. The characteristic service life of the pneumatic block depends on the load. The average service life is approx. 200 million switching cycles. The number of control procedures for the switching cycles serves to assess the switching frequency of the pneumatic block.
 Counting procedure for single-acting actuators:

- Pressurize => 42.VENT1
- Depressurize => 43.VENT2

 Counting procedure for double-acting actuators:

- Pressurize (Y2) / Depressurize (Y1) => 42.VENT1
- Depressurize (Y1) / Pressurize (Y2) => 43.VENT2

 The value is written hourly into a nonvolatile memory.


11.2.4.29 Diagnostic value '44.VEN1R' / '45.VEN2R'

'44.VEN1R' number of switching cycles pneumatic block, Valve 1, resettable
 '45.VEN2R' number of switching cycles pneumatic block, Valve 2, resettable
 Display range: 0 ... 4.29E9

Purpose: Control procedures of the pneumatic block are counted since the last time this parameter was reset, and displayed here.

Description: Corresponds to the description for Diagnostic value '42.VENT1' / '43.VENT2' (Page 225) referred to the diagnostics parameters 'VEN1R' and 'VEN2R' described here.

11.2.4.30 Diagnostic value '46.STORE - Save maintenance data'

Purpose: The minimum and maximum temperatures within the enclosure are constantly determined and saved as with a min/max pointer. This value can only be reset in the factory. In order to switch over the temperature display between °C and °F, press the  button for at least 5 seconds in order to initiate a save function. The values of the diagnostics parameters Diagnostic value '8.WAY - Determined travel' (Page 216) to Diagnostic value '11.LEAK - Leakage test' (Page 217) and Diagnostic value '21.P0 - Potentiometer value of lower endstop (0%)' / '22.P100 - Potentiometer value of upper endstop (100%)' (Page 221) to Diagnostic value '28.SSUP - Slow step zone up' / '29.SSDN - Slow step zone down' (Page 224) are saved in the non-volatile memory as 'data of last maintenance'. This diagnostics data contains selected values whose changes can give information about mechanical wear and tear of the valve.

This function is normally operated through the PDM, menu command 'Diagnostics-> Save maintenance information'. The data of the last maintenance operation can be compared with the current data using SIMATIC PDM.

11.2.4.31 Diagnostic value '47.PRUP - Prediction up' / '48.PRDN - Prediction down'

Display range: 1 ... 40

Purpose: This value specifies the prediction of the controller for the up (PRUP) and down (PRDN) movements.

For more information, refer also to the section Optimization of controller data (Page 101).

Factory setting: 1

11.2.4.32 Diagnostic value '49.WT00' ... '56.WT95' - Number of operating hours in the travel range WT00 to WT95



Display range: 0 ... 4.29E9

Purpose: When the positioner is in "Automatic" mode, statistics are continuously maintained regarding the duration for which a process valve is operated in a particular section of the travel range. The entire travel range is divided into 8 sections from 0 to 100 %. The positioner records the current position continuously and increments the runtime meter assigned to the corresponding travel range every hour. This helps in drawing conclusions about the past operating conditions and especially in assessing the control properties of the control loop and the entire control valve.

Travel range	WT00	WT05	WT10	WT30	WT50	WT70	WT90	WT95
Travel range section [%]	-	≥ 5	≥ 10	≥ 30	≥ 50	≥ 70	≥ 90	≥ 95
	< 5	< 10	< 30	< 50	< 70	< 90	< 95	-

Division of travel ranges

You can simultaneously set the eight operating hours counters to zero.

TIP: Since the travel ranges are provided at the end of the diagnostics parameters, press the  button several times along with the  button. This will help you to access the desired diagnostics parameters faster.

11.2.4.33 Diagnostic value '57.LKPUL - Length of the leakage compensation pulse'

Display range: -256 ... 0 ... 254

Purpose: This value in milliseconds indicates the length of a compensation pulse when Monitoring/compensation of pneumatic leakage 'C.\LEAK' (Page 170) is active. The sign indicates the control direction of the pulse.

Factory setting: 0

11.2.4.34 Diagnostic value '58.LKPER - Period of the leakage compensation pulse'

Display range: 0.00 ... 600.00

Purpose: This value in seconds indicates the period of the leakage compensation pulses when Monitoring/compensation of pneumatic leakage 'C.\LEAK' (Page 170) is active.



Factory setting: 0.00

11.2.4.35 Diagnostic value '59.mA - Setpoint current'

Here you can display the current setpoint in mA.

11.2.4.36 Diagnostic value '60.PZ Supply pressure (PZ)'

Indication on the display: ##.### (bar)
###.## (psi)
#.##### (MPa)

Purpose: Shows the current supply pressure PZ. The value refers to the pressure unit assigned in "U1.PUNIT (Page 188)".
If the supply pressure PZ is switched off, the pressure value shown in the display is 0. Depending on the height at which you use the positioner, the displayed pressure value is ≠0. Press the  button for at least 5 seconds to set the value to 0. "reset" is shown in the display for as long as you press the  button. This calibration is only possible if the displayed pressure value is in the range -0.5 to +0.5 bar.

11.2.4.37 Diagnostic value '63.PZMAX Supply pressure (PZ) min/max pointer'

Indication on the display: ##.### (bar)
###.## (psi)
#.##### (MPa)

Purpose: The supply pressure (PZ) is continuously monitored and the maximum value (min/max pointer) is displayed.
The min/max pointer can be reset via HART communication.

11.2.4.38 Diagnostic value '64.N_MIN Event counter'

Display range: 0 ... 99999

Purpose: Each new measured value of the pressure monitoring is compared with the value set in "U.PZLIM (Page 188)". The counter increases when the supply pressure is lower than the configured limit value.
The counter can be reset via HART communication.

11.3 Online diagnostics

11.3.1 Overview of error codes

Overview of error codes that activate the fault message output

You can find where the error codes are output in the display under "52.XDIAG (Page 162)".

Error code	Three-stage	Event	Parameter setting	Error message disappears when	Possible causes
↳1	No	Control deviation: Actual value response has exceeded values for TIM and LIM	Always active	... the actual value response falls below the value for LIM	Supply pressure PZ missing, actuator fault, process valve fault (e.g. blockage).
↳2	No	Device not in "Automatic" mode	**. FCT^1 = A or = AB	... the device is changed to "Automatic" mode.	The device has been configured or is in the manual mode
↳3	No	Digital input BIN1 or BIN2 active	**. FCT^1 = AB and digital function BIN1 or BIN2 to "On"	... the digital input is no longer activated.	The contact connected to the digital input was active (e.g. packing gland monitoring, overpressure, temperature switch).
↳4	Yes	Limit for number of total strokes exceeded	L. $\text{STRK}\neq\text{OFF}$... the stroke counter is reset or the thresholds are increased	The total path covered by the actuator exceeds one of the configured thresholds.
↳5	Yes	Limit for number of changes in direction exceeded	O. $\text{DCHG}\neq\text{OFF}$... the counter for changes of direction is reset or the thresholds are increased.	The number of changes of direction exceeds one of the configured thresholds.
↳6	Yes	Lower endstop limit exceeded	F. $\text{ZERO}\neq\text{OFF}$ **. YCLS = do or up do	... the deviation of the endstop disappears or the device is re-initialized.	Wear and tear of the process valve, deposits or foreign bodies in the process valve, mechanical misalignment, friction clutch moved.
↳7	Yes	Upper endstop limit exceeded	G. $\text{OPEN}\neq\text{OFF}$ **. YCLS^1 = do or up do	... the deviation of the endstop disappears or the device is re-initialized.	Wear and tear of the process valve, deposits or foreign bodies in the process valve, mechanical misalignment, friction clutch moved.
↳8	No	Deadband limit exceeded	E. $\text{DEBA}\neq\text{OFF}$ **. DEBA^1 = Auto	... the limit is undershot again	Increased packing gland friction, mechanical gap in the position feedback.

Error code	Three-stage	Event	Parameter setting	Error message disappears when	Possible causes
9	Yes	Case 1: Reference stroke time for partial stroke test is exceeded.	A.4PST#OFF	Case 1: ... a partial stroke test is successfully executed within the reference stroke time or the function is deactivated.	Case 1: Process valve is stuck or rusted. Increased stiction.
		Case 2: Start position outside the start tolerance		Case 2: Move the actuator into the range of the PST start tolerance. Or increase the PST start tolerance until the actuator (PST start position) is within the PST start tolerance. Start the partial stroke test again.	Case 2: Valve is present in the safety position.
10	Yes	Deviation from expected dynamic control valve behavior	b.4DEVI#OFF	... the position is again in a narrow corridor between the setpoint and the model, or the function is deactivated.	Actuator fault, process valve fault, process valve jams, increased stiction, decreased supply pressure PZ
11	Yes	Valve leakage	C.4LEAK#OFF	... the valve leakage has been remedied or the function is deactivated.	Pneumatic leakage
12	Yes	Stiction limit (slipstick) exceeded	d.4STIC#OFF	... Slipjumps can no longer be detected, or the function is deactivated.	Increased stiction, process valve no longer moves smoothly but in jerky motion.
13	Yes	Temperature undershot	H.4TMIN#OFF	... the low temperature thresholds are no longer undershot.	Ambient temperature too low
14	Yes	Temperature overshoot	J.4TMAX#OFF	... the high thresholds are no longer overshoot.	Ambient temperature too high
15	Yes	Position average deviates from the reference value	P.4PAVG#OFF	... the average position value calculated after a comparison interval is again within the thresholds for the reference value, or the function is deactivated.	In the last comparison interval, the process valve characteristic was changed so significantly that a deviating average value of position was calculated.
16	No	Partial stroke test is to be carried out with non-plausible parameter values	A.4PST#OFF	the parameter values entered in A1.STPOS, A3.STRKH and A4.STRKD are plausible.	Parameters for partial stroke test are non-plausible
17	No	Pressure sensor module defective	U.4PRES#OFF	... the device is restarted with the functioning pressure sensor module or the pressure sensor module is deactivated.	
18	No	Value below supply pressure PZ low limit	U.4PRES#OFF	... the supply pressure PZ is higher than the limit value in U2.PZLIM including the hysteresis in U3.PZHYS	Supply pressure PZ is too low
19	No	Supply pressure PZ outside of specification	U.4PRES#OFF	... the supply pressure PZ is within the positioner specification of 1.4 bar to 7.0 bar including the hysteresis in U3.PZHYS.	Supply pressure PZ too high or too low

1)	Refer to the corresponding parameter descriptions for additional information about parameters
----	---

11.3.2 Overview of online diagnostics

Online diagnostics means diagnostics during ongoing operation. During operation of the positioner, a few important values and parameters are continually monitored. In configuration mode, you can configure that monitoring so that the fault message output will be activated if, for instance, a limit is exceeded.

Information about what events can activate the fault message output can be found in the table in section "Overview of error codes (Page 229)".

This section contains particular information about the following situations:

- Possible causes of the fault message.
- Events which activate the fault message output or alarm outputs.
- Settings of parameters needed for event monitoring.
- Cancelling an error message

When the fault message output is triggered in "Automatic" or "Manual" mode, the display shows which fault triggered the message. The two digits on the lower left show the corresponding error code. If multiple triggers occur at the same time, they are displayed one after the other cyclically. The device status, including all fault messages, can be called up using command "#48" over HART.

See also

'52.XDIAG' Activating for extended diagnostics (Page 162)

Advanced diagnostic parameters A to U (Page 163)

11.3.3 XDIAG parameter

You can use the extended diagnostics parameters to display error messages in one, two or three stages. In addition to the fault message output, the digital outputs A1 and A2 are then used. For this purpose, set the "XDIAG" parameter as described in the following table:

XDIAG settings	Message due to
OFF	Extended diagnostics not activated
On1	Fault message output for threshold 3 error message (maintenance alarm, single-stage)
On2	Fault message output for threshold 3 error messages and digital output A2 for threshold 2 error messages (maintenance demanded, two-stage)
On3	Fault message output for threshold 3 error messages, digital output A2 for threshold 2 error messages and digital output A1 for threshold 1 error messages (maintenance required, three-stage)

Possible parameter setting 'XDIAG'

11.3.4 Meaning of error codes

11.3.4.1 1 Remaining control deviation

The deviation between the setpoint and the actual value is continuously monitored in "Automatic" mode. The fault message for a remaining control deviation is activated depending on the setting of the application parameters "L.TIM" - monitoring time for setting the fault messages - and "L.LIM" - response threshold for the fault message. The fault message is cancelled as soon as the control deviation drops below the response threshold. This monitoring function is always active.

11.3.4.2 2 Device not in "Automatic" mode

When the device is not in automatic mode, an error message is generated if the 'L.FCT' parameter (function of fault message output) is set correctly. A warning is then sent to the control system if the device was switched to manual or configuration mode on-site.

11.3.4.3 3 digital inputs BIN1 or BIN2 active

If the digital input is activated, a fault message is generated when the 'L.FCT' and 'BIN1' parameters are set accordingly. A fault message can be generated, for example, by a switch to monitor the packing glands, a temperature switch or a limit switch (e.g. for pressure).

Configure the digital input BIN2 on the Digital I/O Module (DIO) in the same way.

11.3.4.4 4 Monitoring the number of total strokes

The diagnostics value "L1 STRKS" is constantly compared with the thresholds that are determined from the "L1.LIMIT" to "L4.FACT3" parameters. If the thresholds are exceeded, the fault message output or the digital outputs A1 and A2 respond, depending on the operating mode of the extended diagnostics. These two functions can be deactivated using the parameter setting "OFF" for "L.LSTRK".

11.3.4.5 5 Monitoring the number of changes in direction

The diagnostics value "O2 CHDIR" is constantly compared with the thresholds that are determined from the "O1.LIMIT" to "O4.FACT3" parameters. If the thresholds are exceeded, the fault message output or the digital outputs A1 and A2 respond, depending on the operating mode of the extended diagnostics. These two functions can be deactivated using the parameter setting "OFF" for "O.LDCHG".

11.3.4.6 6 Monitoring the lower endstop / 7 Monitoring the upper endstop

If the parameter "F.LZERO" is set to "ON", monitoring of the lower endstop is activated. This function can be used to detect the errors in the process valve. An overshoot limit indicates the possibility of deposits or foreign bodies in the process valve. If the value falls below the limit, this indicates wear of the process valve or restrictor body. A mechanical misalignment of the position feedback also triggers this fault message.

Monitoring is always carried out whenever the process valve is in the "tight closing/fast closing Down" position. The current position is compared with the position that was determined as the lower endstop at the time of initialization. Requirement: '39.YCLS' Tight closing/fast closing with manipulated variable (Page 153) parameter is set to one of the following values: 'do', 'uP do', 'Fd', 'Fu Fd'.

Example: A value of 3% is set. The position is normally adopted for "tight closing/fast closing Down". A fault is reported if a value $> 3\%$ or $< -3\%$ is determined instead.

The fault message remains activated until either subsequent monitoring remains within the tolerance or a re-initialization process is executed. Even the deactivation of monitoring ("F.4 ZERO"=OFF) may trigger an error message.

This monitoring function does not deliver any utilizable results if the endstops were not determined automatically at the time of initialization, but the limits were set manually (manual initialization, "5.INITM").

Similar diagnostics is carried out for the upper endstop. The "G.4 OPEN" parameter is used to set the limit for this. Requirement: '39.YCLS' Tight closing/fast closing with manipulated variable (Page 153) parameter is set to one of the following values: 'uP', 'uP do', 'Fu', 'Fu Fd', 'uP Fd', 'Fu do'.

11.3.4.7 8 Monitoring deadband

If the deadband increases disproportionately when adjusting it automatically ("DEBA"=Auto parameter), it indicates an error in the system (e.g. severely increased packing gland friction, play in the position displacement sensor, leakage). A limit can therefore be entered for this value ("E1.LEVL3", threshold for deadband monitoring). An error message output is activated when this value is exceeded.

11.3.4.8 9 Partial stroke test

On the one hand, this fault message appears when a manual or cyclic partial stroke test is initiated and the test cannot be started since the process valve is not within the starting tolerance. On the other hand, the fault message appears when one of the three thresholds of the partial stroke test that are determined from the 'A9.PSTIN' reference stroke time multiplied by factors 'AA.FACT1', 'Ab.FACT2' and 'AC.FACT3' is violated. The severity of the fault message is shown by the number of bars on the display. The severity of the fault message is simultaneously displayed using the fault message output or digital outputs A1 and A2 depending on the mode of extended diagnostics.

11.3.4.9 10 Monitoring of dynamic control valve behavior





The monitoring of the operational behavior responds when the actual process valve position shifts from a narrow corridor between the setpoint and the expected position course. In this case, the deviation between the expected and actual position course is output filtered. The deviation is compared with the configured thresholds that are determined from the "b2.LIMIT" limit multiplied by the factors "b3.FACT1" to "b5.FACT3".

- 11.3.4.10 11 Monitoring/compensation of pneumatic leakage**
This fault message appears if a leakage is present. For additional information, see Monitoring/compensation of pneumatic leakage 'C.\\LEAK' (Page 170).
- 11.3.4.11 12 Monitoring of stiction (slipstick)**
If the stiction of the control valve increases during operation or if an increasing number of Slipjumps is detected, "d1.LIMIT" could be exceeded and result in this fault message.
- 11.3.4.12 13 Monitoring the lower limit temperature**
This fault message appears when the lower limit temperature thresholds are undershot.
- 11.3.4.13 14 Monitoring the upper limit temperature**
This fault message appears when the upper limit temperature thresholds are overshot.
- 11.3.4.14 15 Monitoring the position average value**
This fault message appears when a position value calculated after the expiry of a comparison interval deviates from the reference value by more than the configured thresholds.
- 11.3.4.15 16 Monitoring the plausibility of values for the partial stroke test**
This error message is triggered if, when starting a partial stroke test, the plausibility check of the "A1.STPOS", "A3.STRKH" and "A4.STRKD" parameters was not successful.
- 11.3.4.16 17 Monitoring of pressure sensor module**
If the pressure sensor module is activated and defective, this fault message is displayed.
- 11.3.4.17 18 Monitoring low limit of supply pressure (PZLIM)**
If the supply pressure is below the configured low limit (PZLIM), this alarm message is displayed.
- 11.3.4.18 19 Monitoring specific limits of supply pressure**
If the supply pressure lies outside the positioner specification from 1.4 bar to 7.0 bar, this alarm message is displayed.

11.4 Fault and remedy

Fault profile (symptoms)	Possible cause(s)	Remedy
Positioner remains in "RUN 1".	<ul style="list-style-type: none"> Initialization started from the end position The response time of a maximum of 1 minute was not observed Supply pressure PZ not connected or supply pressure PZ too low. Compressed air line blocked, e.g. solenoid valve 	<ul style="list-style-type: none"> A waiting time of up to 1 minute is required Do not start initialization from the end position. Ensure supply pressure PZ. Free up blocked lines
Positioner remains in "RUN 2".	<ul style="list-style-type: none"> Transmission ratio selector and parameter 2 "YAGL" and the real stroke do not match. Incorrectly set stroke on the lever The pneumatic block does not switch. 	<ul style="list-style-type: none"> Check settings: Parameters 2 and 3 Check the stroke setting on the lever
Positioner remains in "RUN 3".	<ul style="list-style-type: none"> Actuator travel time is too high 	<ul style="list-style-type: none"> Open the restrictor completely and/or set supply pressure PZ to the highest permissible value. Use a booster if required.
Positioner remains in "RUN 5", does not go to "FINISH" (waiting time > 5 min.).	<ul style="list-style-type: none"> "Gap" (play) in the positioner - actuator - control valve system 	<ul style="list-style-type: none"> Part-turn actuator: Check for firm seating of set screw on coupling wheel Linear actuator: Check for firm seating of lever on positioner shaft. Correct any other play between the actuator and the control valve.
	<ul style="list-style-type: none"> Diagnostic value "9.TUP" or "10.TDOWN" < 1.5 s 	<ul style="list-style-type: none"> Set the traversing velocity to > 1.5 s using the internal restrictor.
"CPU test" flashes on the local display approximately every 2 seconds.	<ul style="list-style-type: none"> Water in the pneumatic block (due to wet compressed air) 	<ul style="list-style-type: none"> At an early stage, this fault can be rectified with subsequent operation using dry air, in a temperature cabinet at 50 to 70 °C if required. Otherwise: Repair
The pneumatic block does not switch.		
In the manual and automatic modes, the actuator cannot be moved or can be moved only in one direction.		

11.4 Fault and remedy

Fault profile (symptoms)	Possible cause(s)	Remedy
<p>The pneumatic block does not switch. A gentle click sound is also not audible when the  or  buttons are pressed in manual mode.</p>	<ul style="list-style-type: none"> • The screw between the cover and the pneumatic block has not been tightened firmly or the cover is jammed. 	<ul style="list-style-type: none"> • Tighten the screw firmly; if required, rectify the deadlock.
	<ul style="list-style-type: none"> • Dirt (swarf, particles) in the pneumatic block 	<ul style="list-style-type: none"> • Repair or a new device; built-in fine screen, can also be replaced and cleaned.
	<ul style="list-style-type: none"> • Deposits on the contacts between the electronic printed circuit board and the pneumatic block can develop due to abrasion owing to continuous loads resulting from strong vibrations. 	<ul style="list-style-type: none"> • Clean all contact surfaces with spirit; bend the pneumatic block contact springs slightly if required.
<p>Actuator does not move.</p>	<ul style="list-style-type: none"> • Compressed air < 1.4 bar 	<ul style="list-style-type: none"> • Set supply pressure PZ to > 1.4 bar.
<p>Pneumatic block does not switch (however, a gentle clicking sound can be heard when the  or  button is pressed in "Manual" mode.)</p>	<ul style="list-style-type: none"> • Restrictor valve turned off (screw at the right endstop) 	<ul style="list-style-type: none"> • Open the restrictor screw by turning it to the left.
	<ul style="list-style-type: none"> • Dirt in the pneumatic block 	<ul style="list-style-type: none"> • Repair or a new device; built-in fine screen, can also be replaced and cleaned.
<p>A pneumatic block continually switches in stationary automatic mode (constant setpoint) and in "Manual" mode.</p>	<ul style="list-style-type: none"> • Pneumatic leakage in the positioner - actuator system; start the leakage test in "RUN 3" (initialization). 	<ul style="list-style-type: none"> • Rectify leakage in the actuator and/or feed line. • In case of an intact actuator and tight feed line: Repair or new device
	<ul style="list-style-type: none"> • Dirt in the pneumatic block 	<ul style="list-style-type: none"> • Repair or a new device; built-in fine screen, can also be replaced and cleaned.
<p>In stationary automatic mode (constant setpoint) and in "Manual" mode, the pneumatic block continually switches and the actuator oscillates around a mean value.</p>	<ul style="list-style-type: none"> • Stiction of the packing gland from the control valve or actuator too large 	<ul style="list-style-type: none"> • Reduce stiction or increase deadband of positioner (parameter "dEbA") until the oscillation stops.
	<ul style="list-style-type: none"> • Looseness (play) in the positioner/ actuator/control valve system 	<ul style="list-style-type: none"> • Part-turn actuator: Check for firm seating of set screw on coupling wheel. • Linear actuator: Check for firm seating of lever on positioner shaft. • Correct any other play between the actuator and the control valve.
	<ul style="list-style-type: none"> • Actuator too fast 	<ul style="list-style-type: none"> • Increase travel times using restrictor screws. • If a quick travel time is needed, increase the deadband (parameter "dEbA") until the oscillation stops.
<p>Positioner does not move control valve to the endstop (at 20 mA).</p>	<ul style="list-style-type: none"> • Supply pressure too low. Load on the feeding controller or system output is too low. 	<ul style="list-style-type: none"> • Increase supply pressure, insert ballast converter • Select 3/4-wire mode.

Fault profile (symptoms)	Possible cause(s)	Remedy
Zero point displaces sporadically (> 3%).	Impact or shock loads result in accelerations so high that the friction clutch moves, e.g. due to "vapor shocks" in vapor lines.	<ul style="list-style-type: none"> Rectify the causes for shock loads. Re-initialize the positioner.
The device function has completely failed: No representation on the display either.	Electrical auxiliary power is not adequate.	<ul style="list-style-type: none"> Check the electrical auxiliary power.
	In case of very high continuous loads due to vibrations (oscillations): <ul style="list-style-type: none"> Screws of the electrical connecting terminals may be loosened. Electrical connecting terminals and/or electronic components may be knocked out. 	<ul style="list-style-type: none"> Tighten the screws firmly and secure using sealing wax. Repair For prevention: Install the positioner on damping pads.
Pressure sensor module		
With diagnostic value "60.PZ (Page 228)", display shows "99999".	<ul style="list-style-type: none"> Pressure sensor module defective 	<ul style="list-style-type: none"> Replace the pressure sensor module (Page 203)
Display shows fault message "17 (Page 234)".		
Display shows fault message "18 (Page 234)".	<ul style="list-style-type: none"> Supply pressure undershoots the lower limit (U2.PZLIM (Page 188)). Device is set to "Hold position", when (U4.PZ_FR) "HOLd" is assigned as error response. 	<ul style="list-style-type: none"> Increase the supply pressure until the limit (U2.PZLIM) incl. hysteresis (U3.PZHYS) is exceeded.
Display shows "HOLd".		
Display shows fault message "19 (Page 234)".	<ul style="list-style-type: none"> Supply pressure outside the specification 	<ul style="list-style-type: none"> Increase the supply pressure until the limit (U2.PZLIM) incl. hysteresis (U3.PZHYS) is exceeded. Lower the supply pressure until the limit (U2.PZLIM) incl. hysteresis (U3.PZHYS) is undershot.

Technical data

12.1 HART operating conditions

Rated conditions	
Ambient conditions	For use indoors and outdoors.
Ambient temperature	In hazardous areas, observe the maximum permissible ambient temperature corresponding to the temperature class.
<ul style="list-style-type: none"> Permissible ambient temperature for operation ²⁾³⁾ 	-30 ... +80 °C (-22 ... +176 °F)
<ul style="list-style-type: none"> Height 	2000 m above sea level. At altitudes greater than 2000 m above sea level, use a suitable power supply.
<ul style="list-style-type: none"> Relative humidity 	0 ... 100%
Degree of pollution	2
Overvoltage category	II
Degree of protection ¹⁾	IP66 / Type 4X to UL 50E
Mounting position	Any; pneumatic connections and exhaust air outlet not facing up in wet environment, Proper mounting (Page 39)
Vibration resistance	
<ul style="list-style-type: none"> Harmonic oscillations (sine) according to EN 60068-2-6/10.2008 	3.5 mm (0.14"), 2 ... 27 Hz, 3 cycles/axis 98.1 m/s ² (321.84 ft/s ²), 27 ... 300 Hz, 3 cycles/axis
<ul style="list-style-type: none"> Bumping (half-sine) according to EN 60068-2-27/02.2010 	150 m/s ² (492 ft/s ²), 6 ms, 1000 shocks/axis
<ul style="list-style-type: none"> Noise (digitally controlled) according to EN 60068-2-64/04.2009 	10 ... 200 Hz; 1 (m/s ²) ² /Hz (3.28 (ft/s ²) ² /Hz) 200 ... 500 Hz; 0.3 (m/s ²) ² /Hz (0.98 (ft/s ²) ² /Hz) 4 hours/axis
<ul style="list-style-type: none"> Recommended range of continuous operation of the entire control valve 	≤ 30 m/s ² (98.4 ft/s ²) without resonance peak
Climate class	According to IEC/EN 60721-3
<ul style="list-style-type: none"> Storage 	1K5, but -40 ... +80°C (1K5, but -40 ... +176°F)
<ul style="list-style-type: none"> Transport 	2K4, but -40 ... +80°C (2K4, but -40 ... +176°F)

¹⁾ Max. impact energy 1 Joule for enclosure with inspection window 6DR5..0 and 6DR5..1 or max. 2 Joule for 6DR5..3

²⁾ At ≤ -10 °C (≤ 14 °F) the display refresh rate of the indicator is limited.

³⁾ The following applies to order suffix (order code) **-Z M40**: -40 ... +80 °C (-40 ... +176°F)

12.2 Pneumatic data

Pneumatic data	
Auxiliary power (air supply)	Compressed air, carbon dioxide (CO ₂), nitrogen (N), noble gases or cleaned natural gas
<ul style="list-style-type: none"> Pressure ¹⁾ 	1.4 ... 7 bar (20.3 ... 101.5 psi)

Technical data

12.3 Construction

Pneumatic data	
Air quality to ISO 8573-1	
• Solid particulate size and density	Class 3
• Pressure dew point	Class 3 (min. 20 K (36 °F) below ambient temperature)
• Oil content	Class 3
Unrestricted flow (DIN 1945)	
• Pressurize actuator ²⁾	
2 bar; 0.1 KV (29 psi; 0.116 CV)	4.1 Nm ³ /h (18.1 USgpm)
4 bar; 0.1 KV (58 psi; 0.116 CV)	7.1 Nm ³ /h (31.3 USgpm)
6 bar; 0.1 KV (87 psi; 0.116 CV)	9.8 Nm ³ /h (43.1 USgpm)
• Depressurize actuator for all versions except fail in place ²⁾	
2 bar; 0.2 KV (29 psi; 0.232 CV)	8.2 Nm ³ /h (36.1 USgpm)
4 bar; 0.2 KV (58 psi; 0.232 CV)	13.7 Nm ³ /h (60.3 USgpm)
6 bar; 0.2 KV (87 psi; 0.232 CV)	19.2 Nm ³ /h (84.5 USgpm)
• Depressurize actuator for fail in place version	
2 bar; 0.1 KV (29 psi; 0.116 CV)	4.3 Nm ³ /h (19.0 USgpm)
4 bar; 0.1 KV (58 psi; 0.116 CV)	7.3 Nm ³ /h (32.2 USgpm)
6 bar; 0.1 KV (87 psi; 0.116 CV)	9.8 Nm ³ /h (43.3 USgpm)
Valve leakage	< 6·10 ⁻⁴ Nm ³ /h (0.0026 USgpm)
Throttle ratio	Adjustable up to ∞: 1
Auxiliary power consumption in the controlled state	< 3.6·10 ⁻² Nm ³ /h (0.158 USgpm)
Sound pressure level	L _{Aeq} < 75 dB L _{Amax} < 80 dB
Sound pressure with installed booster ³⁾	L _{Aeq} < 95.2 dB L _{Amax} < 98.5 dB
¹⁾ The following applies to fail in place double acting: 3 ... 7 bar (43.5 ... 101.5 psi)	
²⁾ When using device versions Ex d (6DR5..5-... and 6DR5..6-...), values are reduced by approximately 20%.	
³⁾ Read the warning notice "Increased sound pressure level (Page 105)".	

See also

Basic safety instructions (Page 105)

12.3 Construction

Construction	
How does it work?	
• Range of stroke (linear actuator)	3 ... 130 mm (0.12 ... 5.12") (angle of rotation of the positioner shaft 16 ... 90°)
• Angle of rotation (part-turn actuator)	30 to 100°
Mounting method	

Construction	
• On the linear actuator	Using mounting kit 6DR4004-8V and, where necessary, an additional lever arm 6DR4004-8L on actuators according to IEC 60534-6-1 (NAMUR) with a fin, columns, or a plane surface.
• On the part-turn actuator	Using mounting kit 6DR4004-8D or TGX:16300-1556 on actuators with mounting plane according to VDI/VDE 3845 and IEC 60534-6-2: The required mount must be provided on the actuator-side.
Weight, positioner without option modules or accessories	
• 6DR5..0 Glass-fiber reinforced polycarbonate enclosure	Approx. 0.9 kg (1.98 lb)
• 6DR5.11 aluminum enclosure, only single-acting	Approx. 1.3 kg (2.86 lb)
• 6DR5..2 stainless steel enclosure	Approx. 3.9 kg (8.6 lb)
• 6DR5..3 aluminum enclosure	Approx. 1.6 kg (3.53 lb)
• 6DR5..5 aluminum enclosure, flameproof, rugged	Approx. 5.2 kg (11.46 lb)
• 6DR5..6 stainless steel enclosure, flameproof, rugged	Approx. 8.4 kg (18.5 lb)
Material	
• Enclosure	
6DR5..0 polycarbonate	Glass-fiber reinforced polycarbonate (PC)
6DR5.11 aluminum, only single-acting	GD AISi12
6DR5..2 stainless steel	Austenitic stainless steel 316Cb, mat. No. 1.4581
6DR5..3 aluminum	GD AISi12
6DR5..5 aluminum, flameproof, rugged	GK AISi12
6DR5..6 stainless steel enclosure, flameproof, rugged	Austenitic stainless steel 316L, mat. No. 1.4409
• Pressure gauge block	Aluminum AlMgSi, anodized or stainless steel 316
Versions	
• In the polycarbonate enclosure 6DR5..0	Single-acting and double-acting
• In aluminum enclosure 6DR5.11	Single-acting
• In aluminum enclosures 6DR5..3 and 6DR5..5	Single-acting and double-acting
• In stainless steel enclosures 6DR5..2 and 6DR5..6	Single-acting and double-acting
Torques	
• Part-turn actuator fixing screws DIN 933 M6x12-A2	5 Nm (3.7 ft lb)
• Linear actuator fixing screws DIN 933 M8x16-A2	12 Nm (8.9 ft lb)
• Gland pneumatic G¼	15 Nm (11.1 ft lb)
• Pneumatic gland 1/4-18 NPT	
Without sealant	12 Nm (8.9 ft lb)
With sealant	6 Nm (4.4 ft lb)
• Cable glands	
Screw-in torque for plastic gland in all enclosures	4 Nm (3 ft lb)
Screw-in torque for cable gland made of metal/stainless steel in polycarbonate enclosure	6 Nm (4.4 ft lb)
Screw-in torque for metal/stainless steel glands in aluminum/stainless steel enclosure	6 Nm (4.4 ft lb)

Construction	
Screw-in torque for NPT adapter made of metal/stainless steel in polycarbonate enclosure	8 Nm (5.9 ft lb)
Screw-in torque for NPT adapter made of metal/stainless steel in aluminum/stainless steel enclosure	15 Nm (11.1 ft lb)
Screw-in torque for NPT gland in the NPT adapter NOTE: To avoid damage to the device, the NPT adapter must be held in place while the NPT gland is screwed into the NPT adapter.	68 Nm (50 ft lb)
Tightening torque for union nut made of plastic	2.5 Nm (1.8 ft lb)
Tightening torque for union nut made of metal/stainless steel	4 Nm (3 ft lb)
• Pressure gauge block fixing screws	6 Nm (4.4 ft lb)
Manometer	
• Degree of protection	
Manometer made of plastic	IP31
Manometer, steel	IP44
Manometer made of stainless steel 316	IP54
• Vibration resistance	In accordance with DIN EN 837-1
Connections, electrical	
• Screw terminals	2.5 mm ² AWG30-14
• Cable gland	
Without Ex protection as well as with Ex i	M20 x 1.5 or 1/2-14 NPT
With explosion protection Ex d	Ex d-certified M20 x 1.5; 1/2-14 NPT or M25 x 1.5
Connections, pneumatic	
	Female thread G ¹ / ₄ or ¹ / ₄ -18 NPT

12.4 Controller

Controller	
Control unit	
• Five-point controller	Adaptive
• Dead zone	
dEbA = auto	Adaptive
dEbA = 0.1 ... 10 %	Can be set as fixed value
Analog-to-digital converter	
• Scanning time	10 ms
• Resolution	≤ 0,05 %
• Transmission error	≤ 0,2 %
• Temperature influence	≤ 0.1 %/10 K (≤ 0.1 %/18 °F)

12.5 Certificates and approvals







12.5.1 Breakdown of the article numbers

Each device has a nameplate. This nameplate shows a specific article number for the device. Lower-case letters are used and explained in the tables below for the variable digits in the article number. Each variable that is used stands for a different order version. You will find the order data in the FI 01 catalog on the Internet.

Table 12-1 Article number

1	2	3	4	5	6	7	-	8	9	10	11	12	-	13	14	15	16	-	
6	D	R	5	a	*	b	-	0	c	d	e	f	-	g	*	*	h	-	Z j j j

Table 12-2 Enclosure in explosion-proof version and the relevant variables

<p>Enclosure polycarbonate 6DR5 (b = 0)</p> 	<p>Enclosure aluminum single-acting 6DR5 (b = 1)</p> 	<p>Enclosure stainless steel 6DR5 (b = 2)</p> 	<p>Enclosure aluminum single/double-acting 6DR5 (b = 3)</p> 
<p>Enclosure aluminum flameproof 6DR5 (b = 5)</p> 		<p>Enclosure stainless steel flameproof 6DR5 (b = 6)</p> 	

6DR5a*b-0cdef-g**h-Zjjj	If enclosure b =	If type of protection c =	If order code Z =
Electronics: a =			
• 0, 2, 5, 6	0, 1, 2, 3	D, E, G, F, K	-
• 0, 1, 2, 3, 5, 6	5, 6	E	-
• 0, 2, 5, 6	5, 6	E	K50
• 0, 2, 5, 6	5, 6	G, F, K	-
• 1	3	D, E, G, F, K	P01...P02

12.5 Certificates and approvals

6DR5a*b-0cdef-g**h-Zjjj	If enclosure b =	If type of protection c =	If order code Z =	
Enclosure version b =				
0, 1, 2, 3, 5, 6				
Type of protection c =				
D, E, F, G, K				
Connection thread d =				
• G, N, M, P, R, S				0, 1, 2, 3
• G, N, M, P, Q				5, 6
Limit monitor e =				
0, 1, 2, 3, 9				
Option modules f =				
0, 1, 2, 3				
Customer-specific design g =				
0, 3, 7				
Pneumatic accessories h =				
0, 1, 2, 3, 4, 9R**				
Order code Z = jjj				
A**, C**, D53...D57, F**, K50, L1A, M40, P01...P02, R**, S**, Y**				

12.5.2 Basic unit and optional modules

Type of protection 6DR5ayb-*cdef-g*Ah-Zjjj	Ex marking Ⓔ ATEX 205947X IECEX TUN 17.0023X	Ex marking FM 17US0053X CSA 18CA70166848X
For c = D, • a = 0, 2, 5, 6 and b = 1, 2, 3 • a = 1 and b = 3	II 2 D Ex tb IIIC T100°C Db II 3 G Ex ec IIC T6/T4 Gc	Zn 21 AEx tb IIIC T100°C Db Zn 21 Ex tb IIIC T100°C Db DIP CI II, III Div 1 Gp E-G CI I Zn 2 AEx nA IIC Gc CI I Zn 2 Ex nA IIC Gc NI CI I Div 2 Gp A-D
For c = E, • a = 0, 2, 5, 6 and b = 0	II 2 G Ex ia IIC T6/T4 Gb II 3 G Ex ic IIC T6/T4 Gc	CI I Zn 1 AEx ib IIC Gb CI I Zn 1 Ex ib IIC Gb IS CI I Div 1 Gp A-D
For c = E, • a = 0, 2, 5, 6 and b = 1, 2, 3 • a = 1 and b = 3	II 2 G Ex ia IIC T6/T4 Gb II 3 G Ex ic IIC T6/T4 Gc II 2 D Ex ia IIIC T130°C Db	CI I Zn 1 AEx ib IIC Gb CI I Zn 1 Ex ib IIC Gb Zn 21 AEx ib IIIC, T130°C Db Zn 21 Ex ib IIIC, T130°C Db IS CI I, II, III Div 1 Gp A-G

Type of protection 6DR5ayb-*cdef-g*Ah-Zjjj	Ex marking Ⓔ ATEX 205947X IECEx TUN 17.0023X	Ex marking FM 17US0053X CSA 18CA70166848X
For c = E, <ul style="list-style-type: none"> a = 0, 1, 2, 3, 5, 6 and b = 5, 6 	II 2 G Ex db IIC T6/T4 Gb II 2 D Ex tb IIIC T100°C Db	FM CI I Zn 1 AEx db IIC Gb XP CI I Div 1 Gp A-D CSA CI I Zn 1 Ex db IIC Gb XP CI I Div 1 Gp C-D FM + CSA Zn 21 AEx tb IIIC T100°C Db Zn 21 Ex tb IIIC T100°C Db DIP CI II, III Div 1 Gp E-G
For c = F, <ul style="list-style-type: none"> a = 0, 2, 5, 6 and b = 1, 2, 3, 5, 6 a = 1 and b = 3 Non Contacting Sensor (NCS) <ul style="list-style-type: none"> 6DR4004-6N 	II 2 G Ex ia IIC T6/T4 Gb II 3 G Ex ic IIC T6/T4 Gc II 2 D Ex ia IIIC T130°C Db II 3 G Ex ec IIC T6/T4 Gc	CI I Zn 1 AEx ib IIC Gb CI I Zn 1 Ex ib IIC Gb Zn 21 AEx ib IIIC T130°C Db Zn 21 Ex ib IIIC T130°C Db IS CI I, II, III Div 1 Gp A-G CI I Zn 2 AEx nA IIC Gc CI I Zn 2 Ex nA IIC Gc NI CI I Div 2 Gp A-D
For c = G, <ul style="list-style-type: none"> a = 0, 2, 5, 6 and b = 1, 2, 3, 5, 6 a = 1 and b = 3 	II 3 G Ex ec IIC T6/T4 Gc	CI I Zn 2 AEx nA IIC Gc CI I Zn 2 Ex nA IIC Gc NI CI I Div 2 Gp A-D
For c = K and b = 1, 2, 3, 5, 6 <ul style="list-style-type: none"> a = 0, 2, 5, 6 and b = 1, 2, 3, 5, 6 a = 1 and b = 3 Position Transmitter: <ul style="list-style-type: none"> 6DR4004-1ES 6DR4004-2ES 6DR4004-3ES 6DR4004-4ES 	II 2 G Ex ia IIC T6/T4 Gb II 3 G Ex ic IIC T6/T4 Gc II 2 D Ex ia IIIC T130°C Db II 2 D Ex tb IIIC T100°C Db II 3 G Ex ec IIC T6/T4 Gc	CI I Zn 1 AEx ib IIC Gb CI I Zn 1 Ex ib IIC Gb Zn 21 AEx ib IIIC, T130°C Db Zn 21 Ex ib IIIC, T130°C Db IS CI I, II, III Div 1 Gp A-G CI I Zn 2 AEx nA IIC Gc CI I Zn 2 Ex nA IIC Gc NI CI I Div 2 Gp A-D Zn 21 AEx tb IIIC T100°C Db Zn 21 Ex tb IIIC T100°C Db DIP CI II, III Div 1 Gp E-G

12.5.3 Maximal permissible ambient temperature ranges

Positioner and option modules	Temperature class T4	Temperature class T6
Positioner		
<ul style="list-style-type: none"> 6DR5ayb-0cdef-g*Ah-Z jjj 	-30 °C ≤ Ta ≤ +80 °C	-30 °C ≤ Ta ≤ +50 °C
<ul style="list-style-type: none"> 6DR5ayb-0cdef-g*Ah-Z M40 	-40 °C ≤ Ta ≤ +80 °C	-40 °C ≤ Ta ≤ +50 °C
<ul style="list-style-type: none"> 6DR5ayb-0cdef-g*Ah-Z jjj for a = 0, 1, 2 and f = 0, 2 	-30 °C ≤ Ta ≤ +80 °C	-30 °C ≤ Ta ≤ +60 °C
<ul style="list-style-type: none"> 6DR5ayb-0cdef-g*Ah-Z M40 for a = 0, 1, 2 and f = 0, 2 	-40 °C ≤ Ta ≤ +80 °C	-40 °C ≤ Ta ≤ +60 °C

Technical data

12.6 Electrical data

Positioner and option modules	Temperature class T4	Temperature class T6
Option modules		
• Non-Contacting Sensor (NCS) 6DR4004-6N	-40 °C ≤Ta ≤ +90 °C	-40 °C ≤Ta ≤ +70 °C
• Position Transmitter (Potentiometer) 6DR4004-1ES	-40 °C ≤Ta ≤ +90 °C	-40 °C ≤Ta ≤ +60 °C
• Position Transmitter (NCS) 6DR4004-2ES	-40 °C ≤Ta ≤ +90 °C	-40 °C ≤Ta ≤ +50 °C
• Position Transmitter (NCS, ILS) 6DR4004-3ES		
• Position Transmitter (NCS, MLS) 6DR4004-4ES		

12.6 Electrical data

	Basic electronics without explosion protection	Basic electronics with explosion pro- tection Ex "db"	Basic electronics with explosion pro- tection Ex "ia", "db ia"	Basic electronics with explosion pro- tection Ex "ic", "ec", "tb"
Current input I_w				
• Rated signal range			4 ... 20 mA	
• Test voltage			840 V DC, 1 s	
• Digital input DI1 (terminals 9/10; galvanically connec- ted to basic device)		Suitable only for floating contact; max. contact load < 5 µA with 3 V		
2-wire connection 6DR50.. and 6DR53.. 4 ... 20 mA 6DR51.. and 6DR52.. HART				
Current to maintain the auxiliary power			≥ 3.6 mA	
Required load voltage U _B (cor- responds to Ω at 20 mA)				
• 4 to 20 mA 6DR50..				
Typical	6.36 V (= 318 Ω)	6.36 V (= 318 Ω)	7.8 V (= 390 Ω)	7.8 V (= 390 Ω)
Max.	6.48 V (= 324 Ω)	6.48 V (= 324 Ω)	8.3 V (= 415 Ω)	8.3 V (= 415 Ω)
• 4 to 20 mA 6DR53..				
Typical	7.9 V (= 395 Ω)	-	-	-
Max.	8.4 V (= 420 Ω)	-	-	-
• HART 6DR51..				
Typical	6.6 V (= 330 Ω)	6.6 V (= 330 Ω)	-	-
Max.	6.72 V (= 336 Ω)	6.72 V (= 336 Ω)	-	-
HART 6DR52..				

	Basic electronics without explosion protection	Basic electronics with explosion pro- tection Ex "db"	Basic electronics with explosion pro- tection Ex "ia", "db ia"	Basic electronics with explosion pro- tection Ex "ic", "ec", "tb"
Typical	-	8.4 V (= 420 Ω)	8.4 V (= 420 Ω)	8.4 V (= 420 Ω)
Max.	-	8.8 V (= 440 Ω)	8.8 V (= 440 Ω)	8.8 V (= 440 Ω)
• Static destruction limit	± 40 mA	± 40 mA	-	-
Effective inner capacitance C_i	-	-		
• 4 to 20 mA	-	-	11 nF	"ic": 11 nF
• HART	-	-	11 nF	"ic": 11 nF
Effective inner inductance L_i	-	-		
• 4 to 20 mA	-	-	209 μH	"ic": 209 μH
• HART	-	-	312 μH	"ic": 312 μH
For connecting to circuits with the following peak values	-	-	$U_i \leq 30 \text{ V}$ $I_i \leq 100 \text{ mA}$ $P_i \leq 1 \text{ W}$	"ic": $U_i \leq 30 \text{ V}$ $I_i \leq 100 \text{ mA}$ "ec"/"tb": $U_n \leq 30 \text{ V}$ $I_n \leq 100 \text{ mA}$

3-/4-wire connection

6DR52.. HART, explosion proof

6DR53.. 4 ... 20 mA, non-explosion-proof

Load voltage at 20 mA	$\leq 0.2 \text{ V (= } 10 \text{ } \Omega)$	$\leq 0.2 \text{ V (= } 10 \text{ } \Omega)$	$\leq 1 \text{ V (= } 50 \text{ } \Omega)$	$\leq 1 \text{ V (= } 50 \text{ } \Omega)$
Auxiliary power U_{Aux}	18 ... 35 V DC	18 ... 35 V DC	18 ... 30 V DC	18 ... 30 V DC
• Current consumption I_{Aux}	$(U_{Aux} - 7.5 \text{ V}) / 2.4 \text{ k}\Omega$ [mA]			
For connecting to circuits with the following peak values	-	-	$U_i \leq 30 \text{ V}$ $I_i \leq 100 \text{ mA}$ $P_i \leq 1 \text{ W}$	"ic": $U_i \leq 30 \text{ V}$ $I_i \leq 100 \text{ mA}$ "ec"/"tb": $U_n \leq 30 \text{ V}$ $I_n \leq 100 \text{ mA}$
Effective inner capacitance C_i	-	-	22 nF	22 nF
Effective inner inductance L_i	-	-	0.12 mH	0.12 mH
Galvanic isolation	Between U_{Aux} and I_W	Between U_{Aux} and I_W	Between U_{Aux} and I_W (2 intrinsically safe circuits)	Between U_{Aux} and I_W

12.7 Electrical data for pressure sensor module

	Basic electronics without explosion protection	Basic electronics with explosion protection Ex "db"	Basic electronics with explosion protection Ex "ia", Ex "db ia"	Basic electronics with explosion protection Ex "ic", "ec", "tb"
Basic electronics for the pressure sensor module				
6DR51.. -Z P01 und -Z P02 HART, non-Ex				
6DR51.. -Z P01 und -Z P02 HART, Ex				
Current input I_w				
• Rated signal range			4 ... 20 mA	
• Test voltage			840 V DC, 1 s	
• Digital input DI1 (terminals 9/10; galvanically connected to basic device)		Suitable only for floating contact; max. contact load < 5 μ A with 3 V		
Current to maintain the auxiliary power			≥ 3.6 mA	
Required load voltage U_B (corresponds to Ω at 20 mA)	9.4 V (= 470 Ω)	9.4 V (= 470 Ω)	9 V (= 450 Ω)	9 V (= 450 Ω)
Static destruction limit	± 30 V	± 30 V	-	-
Effective inner capacitance C_i	-	-	12.2 nF	"ic": 12.2 nF
Effective inner inductance L_i	-	-	105 μ H	"ic": 105 μ H
For connecting to circuits with the following peak values	-	-	$U_i \leq 30$ V $I_i \leq 100$ mA $P_i \leq 1$ W	"ic": $U_i \leq 30$ V $I_i \leq 100$ mA "ec"/"t": $U_n \leq 30$ V $I_n \leq 100$ mA

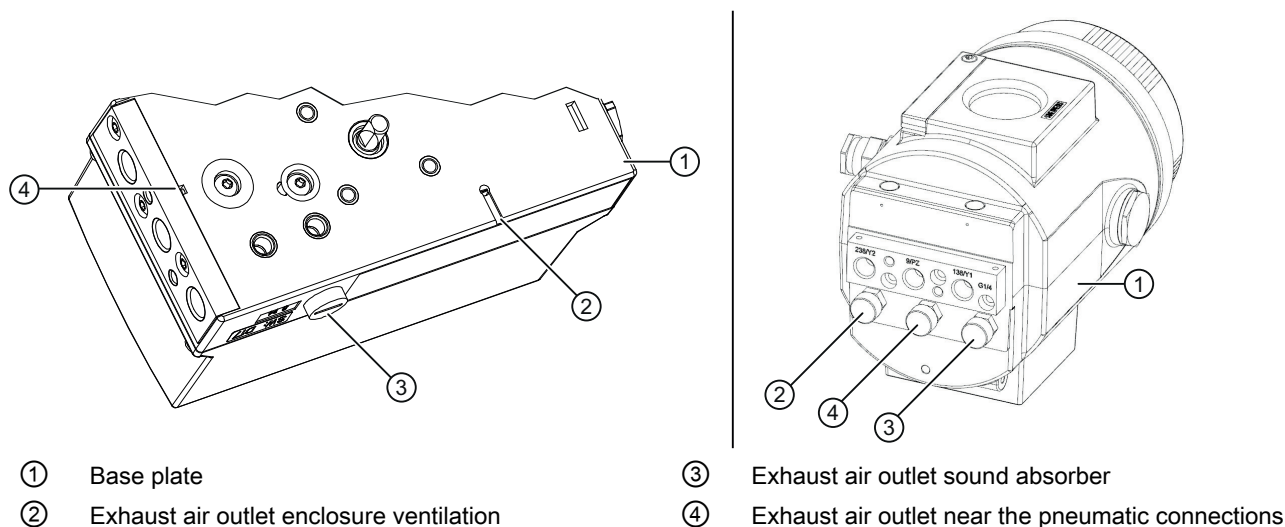
12.8 Communication (HART)

HART communication	
HART version	7
PC parameter assignment software	SIMATIC PDM; supports all device objects. The software is not included in the scope of delivery.

12.9 Technical data for natural gas as actuator medium

Introduction

Note when using an actuator with natural gas that this can escape at the exhaust air outlets.



Note

The following applies for exhaust air outlet with sound absorber ③:

The positioner is supplied as standard with a sound absorber. To provide an outlet for the exhaust air, replace the sound absorber by a G $\frac{1}{4}$ pipe coupling.

The following applies for enclosure ventilation ② and control air outlet ④:

1. With the "flameproof enclosure" device version in an aluminum enclosure with order suffix -Z K50 "Operation with natural gas", you can completely collect and discharge the escaping natural gas.
2. In all other device versions, the escaping natural gas is released into the environment.

Maximum values for escaping natural gas

- The quantity of escaping natural gas is negligible during regulated operation.
- If a control error occurs, a maximum of 30 NI/min of natural gas will escape at the enclosure vent ② and a maximum of 89 NI/min at the control air outlet ④.

See also

Proper mounting (Page 39)

12.10 Option modules

12.10.1 Digital I/O Module (DIO) 6DR4004-6A / -8A

	Without explosion protection or suitable for use in Ex "db" version	With explosion protection Ex "ia"	With explosion protection Ex "ic", "ec", "tb"
	6DR4004-8A	6DR4004-6A	6DR4004-6A
3 digital output current circuits			
<ul style="list-style-type: none"> Digital output DO1: Terminals 41 and 42 Digital output DO2: Terminals 51 and 52 Fault message output: Terminals 31 and 32 			
<ul style="list-style-type: none"> Auxiliary power supply U_{Aux} 	≤ 35 V and the current consumption is to be limited to < 25 mA	-	-
<ul style="list-style-type: none"> Signal status 			
High (not addressed)	Conductive, $R = 1$ k Ω , $+3/-1$ % *)	≥ 2.1 mA	≥ 2.1 mA
Low *) (addressed)	Deactivated, $I_R < 60$ μ A	≤ 1.2 mA	≤ 1.2 mA
*) The status is also Low if the basic device is faulty or without a auxiliary power.	*) When using in the flame-proof enclosure, the current consumption must be restricted to 10 mA per output.	Switching threshold for supply according to EN 60947-5-6: $U_{Aux} = 8.2$ V, $R_i = 1$ k Ω	Switching threshold for supply according to EN 60947-5-6: $U_{Aux} = 8.2$ V, $R_i = 1$ k Ω
<ul style="list-style-type: none"> For connecting to circuits with the following peak values 	-	$U_i = 15$ V DC $I_i = 25$ mA $P_i = 64$ mW	"ic": $U_i = 15$ V DC $I_i = 25$ mA "ec"/"tb": $U_n \leq 15$ V DC
Effective internal capacitance	-	$C_i = 5.2$ nF	$C_i = 5.2$ nF
Effective internal inductance	-	$L_i =$ negligibly small	$L_i =$ negligibly small
1 digital input current circuit			
<ul style="list-style-type: none"> Digital input DI2: Terminals 11 and 12, terminals 21 and 22 (jumper) Galvanically connected with the basic device 			
Signal status 0		Floating contact, open	
Signal status 1		Floating contact, closed	
Contact load		3 V, 5 μ A	
<ul style="list-style-type: none"> Electrically isolated from the basic device 			
Signal status 0		≤ 4.5 V or open	
Signal status 1		≥ 13 V	
Internal resistance		≥ 25 k Ω	

	Without explosion protection or suitable for use in Ex "db" version	With explosion protection Ex "ia"	With explosion protection Ex "ic", "ec", "tb"
	6DR4004-8A	6DR4004-6A	6DR4004-6A
• Static destruction limit	± 35 V	-	-
• Connecting to circuits with the following peak values	-	$U_i = \text{DC } 25.2 \text{ V}$	"ic": $U_i = \text{DC } 25.2 \text{ V}$ "ec"/"tb": $U_n \leq \text{DC } 25.2 \text{ V}$
Effective internal capacitance	-	$C_i = \text{negligibly small}$	$C_i = \text{negligibly small}$
Effective internal inductance	-	$L_i = \text{negligibly small}$	$L_i = \text{negligibly small}$
Galvanic isolation	The three outputs, the BI2 input and the basic device are galvanically isolated from each other.		
Test voltage	DC 840 V, 1 s		

12.10.2 Analog Output Module (AOM) 6DR4004-6J / -8J

	Without explosion protection or suitable for use in Ex d version	With explosion protection Ex "ia"	With explosion protection Ex "ic", "ec", "tb"
	6DR4004-8J	6DR4004-6J	6DR4004-6J
Direct current output for position feedback	1 current output, terminals 61 and 62		
	2-wire connection		
• Rated signal range	4 ... 20 mA, short-circuit proof		
• Dynamic range	3.6 ... 20.5 mA		
• Auxiliary power supply U_{Aux}	+12 ... +35 V	+12 ... +30 V	+12 ... +30 V
• External load R_B [kΩ]	$\leq (U_{\text{Aux}} [\text{V}] - 12 \text{ V})/I$ [mA]		
• Transmission error	$\leq 0.3\%$		
• Temperature influence	$\leq 0.1\%/10 \text{ K}$ ($\leq 0.1\%/18 \text{ °F}$)		
• Resolution	$\leq 0.1\%$		
• Residual ripple	$\leq 1\%$		
• For connecting to circuits with the following peak values	-	$U_i = \text{DC } 30 \text{ V}$ $I_i = 100 \text{ mA}$ $P_i = 1 \text{ W}$	"ic": $U_i = \text{DC } 30 \text{ V}$ $I_i = 100 \text{ mA}$ "ec"/"tb": $U_n \leq \text{DC } 30 \text{ V}$ $I_n \leq 100 \text{ mA}$ $P_n \leq 1 \text{ W}$
Effective internal capacitance	-	$C_i = 2 \text{ nF}$	$C_i = 2 \text{ nF}$
Effective internal inductance	-	$L_i = 3 \text{ μH}$	$L_i = 3 \text{ μH}$
Galvanic isolation	Electrically isolated from the alarm option and safely isolated from the basic device		
Test voltage	DC 840 V, 1 s		

12.10.3 Inductive Limit Switches (ILS) 6DR4004-6G / -8G

	Without explosion protection	With explosion protection Ex "ia", "db ia"	With explosion protection Ex "ic", "ec", "tb"
	6DR4004-8G	6DR4004-6G	6DR4004-6G
Limit encoder with slotted initiators and fault message output			
2 slotted initiators			
<ul style="list-style-type: none"> Digital output (limit monitor) A1: Terminals 41 and 42 Digital output (limit monitor) A2: Terminals 51 and 52 			
• Connection	2-wire technology in accordance with EN 60947-5-6 (NAMUR), for switching amplifiers connected on load side		
• Signal state High (not triggered)		> 2.1 mA	
• Signal state Low (triggered)		< 1.2 mA	
• 2 slotted initiators	Type SJ2-SN		
• Function	NC contact (NC, normally closed)		
• Connecting to circuits with the following peak values	Rated voltage 8 V, power consumption: ≥ 3 mA (limit not activated), ≤ 1 mA (limit activated)	$U_i \leq \text{DC } 15 \text{ V}$ $I_i \leq 25 \text{ mA}$ $P_i \leq 64 \text{ mW}$	"ic": $U_i \leq \text{DC } 15 \text{ V}$ $I_i \leq 25 \text{ mA}$ "ec"/"tb": $U_n \leq \text{DC } 15 \text{ V}$ $P_n \leq 64 \text{ mW}$
Effective internal capacitance	-	$C_i \leq 161 \text{ nF}$	$C_i \leq 161 \text{ nF}$
Effective internal inductance	-	$L_i \leq 120 \text{ }\mu\text{H}$	$L_i \leq 120 \text{ }\mu\text{H}$
1 fault message output			
<ul style="list-style-type: none"> Digital output: Terminals 31 and 32 			
• Connection	At switching amplifier in accordance with EN 60947-5-6: (NAMUR), $U_{\text{Aux}} = 8.2 \text{ V}$, $R_i = 1 \text{ k}\Omega$.		
• Signal state High (not triggered)	$R = 1.1 \text{ k}\Omega$	> 2.1 mA	> 2.1 mA
• Signal state Low (triggered)	$R = 10 \text{ k}\Omega$	< 1.2 mA	< 1.2 mA
• Auxiliary power U_{Aux}	$U_{\text{Aux}} \leq \text{DC } 35 \text{ V}$ $I \leq 20 \text{ mA}$	-	-
• Connecting to circuits with the following peak values	-	$U_i \leq \text{DC } 15 \text{ V}$ $I_i \leq 25 \text{ mA}$ $P_i \leq 64 \text{ mW}$	"ic": $U_i \leq \text{DC } 15 \text{ V}$ $I_i \leq 25 \text{ mA}$ "ec"/"tb": $U_n \leq \text{DC } 15 \text{ V}$ $P_n \leq 64 \text{ mW}$
Effective internal capacitance	-	$C_i \leq 5.2 \text{ nF}$	$C_i \leq 5.2 \text{ nF}$
Effective internal inductance	-	$L_i = \text{negligibly small}$	$L_i = \text{negligibly small}$
Galvanic isolation	The 3 outputs are galvanically isolated from the basic device.		
Test voltage	DC 840 V, 1 s		

12.10.4 Mechanic Limit Switches (MLS) 6DR4004-6K / -8K

	Without explosion protection	With explosion protection Ex "ia", "db ia"	With explosion protection Ex "ic", "tb"
	6DR4004-8K	6DR4004-6K	6DR4004-6K
Limit encoder with mechanical switching contacts			
2 limit contacts			
<ul style="list-style-type: none"> Digital output DO1: Terminals 41 and 42 Digital output DO2: Terminals 51 and 52 			
Max. switching current AC/DC	4 A	-	-
For connecting to circuits with the following peak values	-	$U_i \leq 30 \text{ V}$ $I_i \leq 100 \text{ mA}$ $P_i \leq 750 \text{ mW}$	"ic": $U_i \leq 30 \text{ V}$ $I_i \leq 100 \text{ mA}$ "tb": $U_n \leq 30 \text{ V}$ $I_n \leq 100 \text{ mA}$
Effective internal capacitance	-	$C_i = \text{negligibly small}$	$C_i = \text{negligibly small}$
Effective internal inductance	-	$L_i = \text{negligibly small}$	$L_i = \text{negligibly small}$
Max. switching voltage AC/DC	250 V/24 V	DC 30 V	DC 30 V
1 fault message output			
<ul style="list-style-type: none"> Digital output: Terminals 31 and 32 			
Connection	On switching amplifier according to EN 60947-5-6: (NAMUR), $U_{Aux} = 8.2 \text{ V}$, $R_i = 1 \text{ k}\Omega$.		
Signal state High (not triggered)	$R = 1.1 \text{ k}\Omega$	$> 2.1 \text{ mA}$	$> 2.1 \text{ mA}$
Signal state Low (triggered)	$R = 10 \text{ k}\Omega$	$< 1.2 \text{ mA}$	$< 1.2 \text{ mA}$
Auxiliary power	$U_{Aux} \leq \text{DC } 35 \text{ V}$ $I \leq 20 \text{ mA}$	-	-
Connecting to circuits with the following peak values	-	$U_i \leq 15 \text{ V}$ $I_i \leq 25 \text{ mA}$ $P_i \leq 64 \text{ mW}$	"ic": $U_i \leq 15 \text{ V}$ $I_i \leq 25 \text{ mA}$ "tb": $U_n \leq 15 \text{ V}$ $I_n \leq 25 \text{ mA}$
Effective internal capacitance	-	$C_i \leq 5.2 \text{ nF}$	$C_i \leq 5.2 \text{ nF}$
Effective internal inductance	-	$L_i = \text{negligibly small}$	$L_i = \text{negligibly small}$
Galvanic isolation	The 3 outputs are galvanically isolated from the basic device		
Test voltage	3150 V DC, 2 s		
Rated condition height	Max. 2 000 m above sea level. Use a suitable power supply at an altitude of more than 2 000 m above sea level.	-	-

12.10.5 Analog Input Module (AIM) 6DR4004-6F / -8F

	Without explosion protection	With explosion protection Ex "ia", "db ia", "ic"	With explosion protection Ex "ec", "tb"
	6DR4004-8F	6DR4004-6F	6DR4004-6F
The Analog Input Module (AIM) 6DR4004-6F and -8F is required to connect a Non-Contacting Sensor (NCS) or Position Transmitter 6DR4004-1ES to -4ES.			
For devices without explosion protection, other types of potentiometers with resistance values between 3 and 20 kΩ can be connected.			
R-potentiometer			
• Peak values when supplied by other basic devices (6DR50/1/2/3/9)	$U_{max} = 5\text{ V}$	$U_o \leq 5\text{ V}$ $I_o \leq 100\text{ mA}$ $P_o \leq 33\text{ mW}$ $C_o \leq 1\text{ }\mu\text{F}$ $L_o \leq 1\text{ mH}$	$U_{max} = 5\text{ V}$
• Maximum values when powered by the base unit with PA (6DR55) or FF communication (6DR56)	$U_{max} = 5\text{ V}$	$U_o \leq 5\text{ V}$ $I_o \leq 75\text{ mA static}$ $I_o \leq 160\text{ mA transient}$ $P_o \leq 120\text{ mW}$ $C_o \leq 1\text{ }\mu\text{F}$ $L_o \leq 1\text{ mH}$	$U_{max} = 5\text{ V}$
Signal 20 mA			
• Rated signal range	0 ... 20 mA	-	-
• Internal load R_B	200 Ω	-	-
• Static destruction limit	40 mA	-	-
Signal 10 V			
• Rated signal range	0 ... 10 V	-	-
• Internal resistance R_i	25 kΩ	-	-
• Static destruction limit	20 V	-	-
Supply and signal power circuits		Galvanically connected with the basic device	

12.10.6 Internal NCS module 6DR4004-5L / 6DR4004-5LE

Additional modules	Without explosion protection	With explosion protection Ex "ia", "db ia"	With explosion protection Ex "ic", "ec", "tb"
	6DR4004-5L	6DR4004-5LE	6DR4004-5LE
Linearity (after corrections made by positioner)	-	± 1 %	
Hysteresis	-	± 0.2 %	
For connecting to circuits with the following peak values	-	$U_i \leq 5\text{ V}$ $I_i \leq 160\text{ mA}$ $P_i \leq 120\text{ mW}$	$U_i \leq 5\text{ V}$
Effective internal capacitance	-	$C_i = 110\text{ nF} + 110\text{ nF per meter of connecting cable}$	
Effective internal inductance	-	$L_i = 270\text{ }\mu\text{H} + 6.53\text{ }\mu\text{H per meter of connecting cable}$	

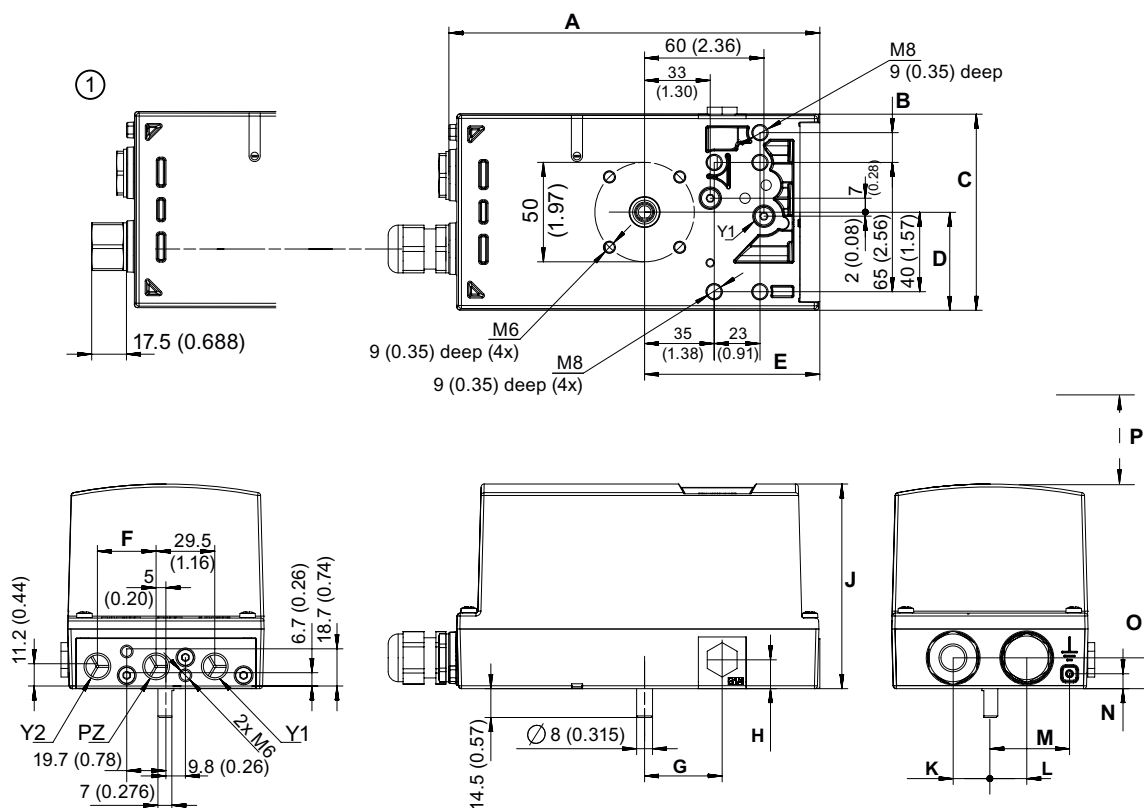
12.10.7 Other technical specifications

Technical specifications for additional option modules and accessories is available at:

- Technical specifications NCS (Page 283)
- Technical specifications of the external position detection system (Page 289)
- Sealing plug / thread adapter (Page 297)
- Positioner with remote control electronics (Page 311)

Dimension drawings

13.1 Positioner in non-flameproof enclosure



① M20 x 1.5 or NPT adapter

Figure 13-1 Dimension drawing, dimensions in mm (inch)

	6DR5..0		6DR5..1	6DR5..2	6DR5..3	
	G $\frac{1}{4}$	1/4-18 NPT			G $\frac{1}{4}$	1/4-18 NPT
A	184.5 [7.26]	186.5 [7.34]	185 [7.28]	186.5 [7.34]	186.5 [7.34]	188.5 [7.42]
B	-	-	-	-	15 [0.59]	
C	95 [3.74]		84 [3.31]	99 [3.90]	98.6 [3.88]	
D	47.5 [1.87]		49.5 [1.95]	49.5 [1.95]	49.3 [1.94]	
E	88.5 [3.48]		88.8 [3.50]	88.5 [3.48]	88.8 [3.50]	
F ¹⁾	29.5 [1.16]		-	29.5 [1.16]	29.5 [1.16]	
G	39 [1.54]		44 [1.73]	39 [1.54]	39 [1.54]	
H	14.5 [0.57]		16 [0.63]	16 [0.63]	14.5 [0.57]	
J	96.6 [3.80]		96.6 [3.80]	98.5 [3.88]	103 [4.06]	
K	18.5 [0.73]		22 [0.87]	18.5 [0.73]	18.5 [0.73]	
L	18.5 [0.73]		7 [0.23]	18.5 [0.73]	18.5 [0.73]	

13.2 Terminal strip for enclosures 6DR5..0 and 6DR5..3

	6DR5..0		6DR5..1	6DR5..2	6DR5..3	
	G $\frac{1}{4}$	1/4-18 NPT			G $\frac{1}{4}$	1/4-18 NPT
M	-		26.5 [1.04]	41.5 [1.53]	40 [1.57]	
N	-		7.5	7.5	7.5	
O	14.5 [0.57]		14.5 [0.57]	14.5 [0.57]	15.5 [0.61]	
P	> 150 (5.91) Adhere to this minimum clearance P for service and maintenance above the cover.					

Dimensions in mm [inch]

*) Dimensions only apply to double-acting actuators.

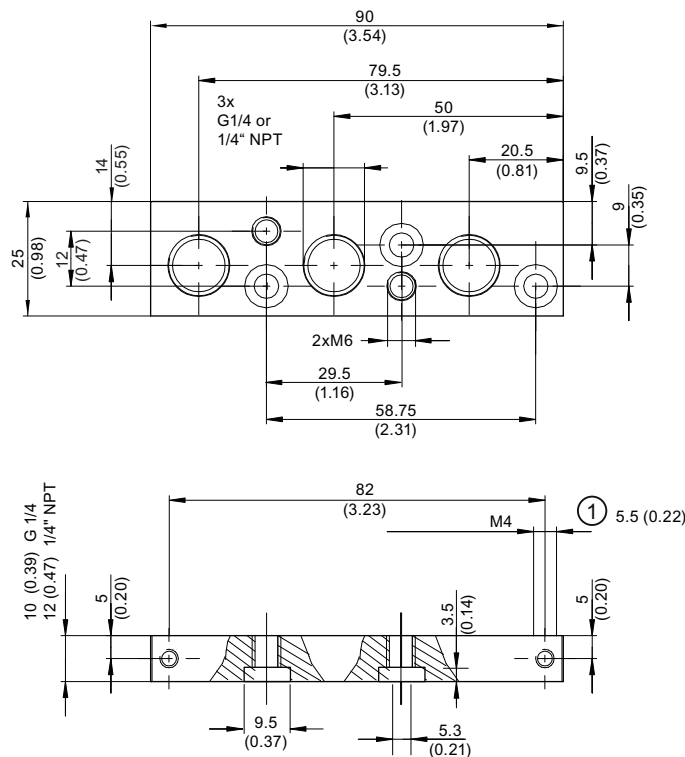
6DR5..0 Polycarbonate enclosure; dimensions with pneumatic connection G $\frac{1}{4}$ or 1/4-18 NPT

6DR5..1 Aluminum enclosure, single-acting

6DR5..2 Stainless steel enclosure, without inspection window

6DR5..3 Aluminum enclosure, single/double-acting; dimensions with pneumatic connection G $\frac{1}{4}$ or 1/4-18 NPT

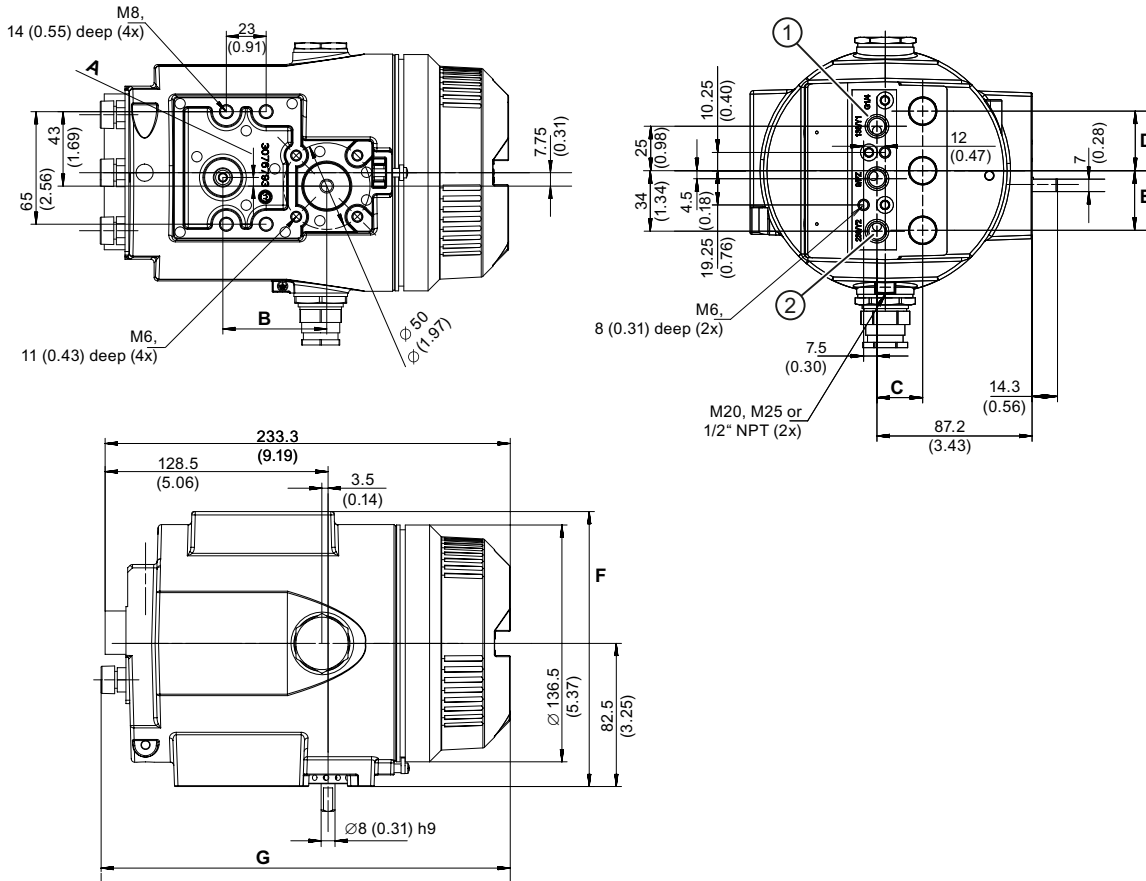
13.2 Terminal strip for enclosures 6DR5..0 and 6DR5..3



① Thread depth

Figure 13-2 Terminal strip, dimensions in mm (inch)

13.3 Positioner in flameproof enclosure



- ① All air connections G¼ or ¼-18 NPT
- ② Air connection Y2, only with double-acting version

Figure 13-3 Dimensions of positioner in flameproof enclosure

	6DR5..5	6DR5..6
A	5 [0.2]	-
B	60 (2.36)	-
C	25.7 (1.01)	21.7 (0.85)
D	33.5 (1.32)	25 [0.99]
E	33.5 (1.32)	-
F	158.5 [6.24]	160 [6.3]
G	235.3 [9.26]	227.6 [8.96]

Dimensions in mm [inch]

6DR5..5 Aluminum enclosure, flameproof; dimensions with pneumatic connection G¼ or ¼-18 NPT

6DR5..6 Stainless steel enclosure, flameproof

Spare parts/accessories/scope of delivery

14.1 Overview

⚠ WARNING**Assembling the components**

When assembling components, ensure that only those positioners and option modules are combined with each other that are approved for the corresponding operating range.

These conditions particularly apply to safe operation of the positioner in hazardous areas. Observe the applicable certificates and approvals or the "Technical data (Page 239)".

Basic version

The positioner can be delivered for:

- Double-acting actuators
- Single-acting actuators

The positioner and its option modules are delivered as separate units and with different versions for the operation in:

- Hazardous environments and atmospheres
- Non-hazardous environments and atmospheres

Enclosure

The electronic unit with display, the position feedback, and the pneumatic block are integrated in the enclosure.

The enclosure is available in the following versions:

- Polycarbonate enclosure for single-acting and double-acting actuators
- Aluminum enclosure for single-acting or double-acting actuators
- Stainless steel enclosure for single and double-acting actuators
- Flameproof enclosure for single and double-acting actuators

Options

The following option modules are available for the positioner:

- Analog Output Module (AOM) 6DR4004-6J / -8J: 2-wire current output 4 to 20 mA for position feedback
- Digital I/O Module (DIO) 6DR4004-6A / -8A: 3 digital outputs and 1 digital input

14.1 Overview

- Inductive Limit Switches (ILS) 6DR4004-6G / -8G: 1 digital output for fault signals, 2 digital outputs for limit monitors
- Mechanic Limit Switches (MLS) 6DR4004-6K / -8K: 1 digital output for fault signals, 2 digital outputs for limit monitors
- Internal NCS module 6DR4004-5L/-5LE

The Inductive Limit Switches (ILS) and Mechanic Limit Switches (MLS) cannot be used in device versions with flameproof enclosure. Additional restrictions in section "Technical data (Page 239)".

Accessories

- Pressure gauge block: 2 or 3 pressure gauges for single and double-acting positioners
- Mounting kits for linear and part-turn actuators

For separate mounting of positioner and position sensor

- Position Transmitter
- NCS sensor for non-contacting position detection

Note











The version is identified using a special nameplate.

14.2 Spare parts




	Description	Article no.	For version
Basic electronics			
	2-wire, not Ex, without HART	A5E00082459	6DR50...N
	2-wire, Ex, without HART	A5E00082457	6DR50...D/E/F/G/K
	2-wire, Ex, with HART	A5E45152746	6DR51...D/E/F/G/K
	2-wire, not Ex, with HART	A5E00082458	6DR51...N
	2-wire, non-Ex, with HART, with interface for pressure sensor module	A5E45152693	6DR51...N* -Z P01
	2/3/4-wire, Ex, with HART	A5E00082456	6DR52...D/E/F/G/K
	2/3/4-wire, not Ex, without HART	A5E00102018	6DR53...N
	PROFIBUS PA, not Ex	A5E00141523	6DR55...N
	PROFIBUS PA, Ex	A5E00141550	6DR55...D/E/F/G/K
	FOUNDATION Fieldbus, not Ex	A5E00215467	6DR56...N
	FOUNDATION Fieldbus, Ex	A5E00215466	6DR56...D/E/F/G/K
	Interface module for positioner without basic electronics	A5E00151572	6DR5910-*
	Interface module for 19-inch slide-in module 4 ... 20 mA	A5E00151571	A5E00151560

14.2 Spare parts

	Description	Article no.	For version
Pneumatic block			
	Single-acting, with seal and screws	C73451-A430-D80	6DR5.1.*
	Double-acting, with seal and screws	C73451-A430-D81	6DR5.2.*
	Fail in place, with seal and screws	A5E34409029	6DR5* -Z F01
	Single-acting for temperature range extension -40 °C ... 80 °C, with seal and screws	A5E35377156	6DR5.1.* -Z M40
	Double-acting for temperature range extension -40 °C ... 80 °C, with seal and screws	A5E35377157	6DR5.2.* -Z M40
	Optimized for small actuators with seal and screws	A5E43291389	6DR5.1.* -Z K10
Enclosure cover without Ex d			
	Made from polycarbonate, with inspection window, single and double-acting, with cover seal and screws	C73451-A430-D82	6DR5..0-.N/E
	Made from aluminum, with inspection window, single-acting, with cover seal and screws	C73451-A430-D83	6DR5.11-.N/E/F/G
	Made from aluminum, without inspection window, single-acting, with cover seal and screws	A5E00065819	6DR5.11-.D/K*
	Made from aluminum, with inspection window, single and double-acting, with cover seal and screws	A5E39637097	6DR5..3-*

	Description	Article no.	For version
	Made from aluminum, without inspection window, single and double-acting, with cover seal and screws	A5E39636806	6DR5..3-* -Z M40 6DR4004-1/2/3/4ES
Magnet clamp, pressure gauge, sound absorber			
	Magnet clamp for linear actuators	A5E00078031	6DR4004-...2*
	Magnet clamp made from anodized aluminum for part-turn actuators	A5E00524070	6DR4004-...1/4*
	Pressure gauge steel, process connection G1/8 (3 units)	A5E32527731	6DR5...-.....-...9 -R1A/-R2A 6DR4004-1P/-2P
	Pressure gauge stainless steel, process connection G1/8 (3 units)	A5E32527735	6DR5...-.....-...9 -R1C/-R2C 6DR4004-1QP/-2Q
	Stainless steel sound absorber (3 units)	A5E32527711	6DR5..0/1/2/3/6-*
Spare parts for flameproof enclosure Ex d			
	Pneumatic connection board 1/4-18 NPT with seals and screws	A5E37056680	6DR5..6-..N/M/S*
	Pneumatic connection board G1/4 with seals and screws	A5E37056681	6DR5..6-..G/P/R/Q*
	Sealing plugs M25 and thread adapter M25 on M20 with seals	A5E37056682	6DR5..5/6-..G/M/Q*
	Sealing plugs M25 and thread adapter M25 on 1/2-14 NPT with seals	A5E37056685	6DR5..5/6-..N/P/Q*
	Enclosure cover with seal	A5E37056687	6DR5..6*
	Sealing set with seals for cover, button cover, pneumatic termination board, duckbill valve for enclosure ventilation and shaft sealing ring	A5E37056923	6DR5..6*

14.3 Scope of delivery Mechanic Limit Switches (MLS)

	Description	Article no.	For version
Small part set			
	With cover seal, pneumatic terminal strips with G thread , air filter, O rings for pneumatic connections, screws, sound absorber, metal cable gland	A5E33519995	6DR5..0/3
	With cover seal, pneumatic terminal strips with NPT thread , air filter, O-rings for pneumatic connections, screws, sound absorber, metal cable gland and metal NPT adapter	A5E33519994	6DR5..0/3
Pressure sensor module			
	With seal, for monitoring of supply pressure PZ	A5E45153857	6DR5*-Z P01
	With seal, for premium diagnostics, single-acting	A5E45153928	6DR511*-Z P02
	With seal, for premium diagnostics, double-acting	A5E45154086	6DR512*-Z P02

Note

See Catalog FI 01 "Field Instruments for Process Automation" for more add-ons and possible modules.

14.3 Scope of delivery Mechanic Limit Switches (MLS)

If the Mechanic Limit Switches (MLS) were ordered for later installation, then the following components are included in the scope of delivery:

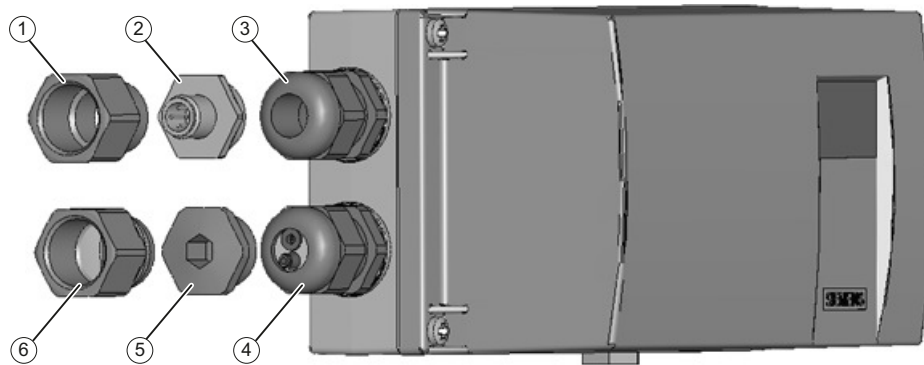
- Mechanic Limit Switches (MLS) with accessories
- One housing cover with enlarged aperture
- One insulating cover

- Two cable ties
- One set of signs; how these are to be attached depends on the version.

14.4 Scope of delivery Analog Input Module (AIM)

Cable glands and adapters

The Analog Input Module (AIM) is supplied with various cable glands and adapters.



Connections ① to ③ for power supply



- ① Adapter M20 to ½-14 NPT for 6DR5..0/1/2/3-0.N/P
- ② M12 connector for device version with PROFIBUS communication or Fieldbus FOUNDATION for 6DR55/6..-0.R/S
- ③ Cable gland for connection thread M20x1.5 for 6DR5..0/1/2/3-0.G/M

Connections ④ to ⑥ for optional modules

- ④ Cable gland for connection thread M20x1.5 with seal insert for 6DR55/6..0-0.G/M/R/S
- ⑤ Blanking plug for device version without optional modules 6DR5...-0..00
- ⑥ Adapter M20 to ½-14 NPT for 6DR5..0/1/2/3-0.N/P

Figure 14-1 Positioner with the different cable glands and adapter

Scope of delivery Analog Input Module (AIM)

	Description
	Analog Input Module (AIM) C73451-A430-L8
	Sealing ring for ⑥
	Cable tie
⑥	Adapter M20 to ½-14 NPT
④	Cable gland for connection thread, gray
④	Cable gland for connection thread, blue
	Sealing set for ④
	Sealing set plug for ④

14.6 Order data

	Description
	Screw for plastic
	Oval head screw M3x6

14.5 Accessories

For accessories, refer to Catalog FI 01 "Field devices for process automation", for example:

- Option modules
- NCS sensor for non-contacting position detection
- Mounting kits
- Operating software

14.6 Order data

In order to ensure that the ordering data you are using is not outdated, the latest ordering data is always available on the Internet:

Process instrumentation catalog (<http://www.siemens.com/processinstrumentation/catalogs>)

Product documentation and support

A.1 Product documentation

Process instrumentation product documentation is available in the following formats:

- Certificates (<http://www.siemens.com/processinstrumentation/certificates>)
- Downloads (firmware, EDDs, software) (<http://www.siemens.com/processinstrumentation/downloads>)
- Catalog and catalog sheets (<http://www.siemens.com/processinstrumentation/catalogs>)
- Manuals (<http://www.siemens.com/processinstrumentation/documentation>)
You have the option to show, open, save, or configure the manual.
 - "Display": Open the manual in HTML5 format
 - "Configure": Register and configure the documentation specific to your plant
 - "Download": Open or save the manual in PDF format
 - "Download as html5, only PC": Open or save the manual in the HTML5 view on your PC

You can also find manuals with the Mobile app at Industry Online Support (<https://support.industry.siemens.com/cs/ww/de/sc/2067>). Download the app to your mobile device and scan the device QR code.

Product documentation by serial number

Using the PIA Life Cycle Portal, you can access the serial number-specific product information including technical specifications, spare parts, calibration data, or factory certificates.

Entering a serial number

1. Open the PIA Life Cycle Portal (<https://www.pia-portal.automation.siemens.com>).
2. Select the desired language.
3. Enter the serial number of your device. The product documentation relevant for your device is displayed and can be downloaded.

To display factory certificates, if available, log in to the PIA Life Cycle Portal using your login or register.

Scanning a QR code

1. Scan the QR code on your device with a mobile device.
2. Click "PIA Portal".

To display factory certificates, if available, log in to the PIA Life Cycle Portal using your login or register.

A.2 Technical support

Technical support

If this documentation does not completely answer your technical questions, you can enter a Support Request (<http://www.siemens.com/automation/support-request>).

Additional information on our technical support can be found at Technical Support (<http://www.siemens.com/automation/csi/service>).

Service & support on the Internet

In addition to our technical support, Siemens offers comprehensive online services at Service & Support (<http://www.siemens.com/automation/serviceandsupport>).

Contact

If you have further questions about the device, contact your local Siemens representative at Personal Contact (<http://www.automation.siemens.com/partner>).

To find the contact for your product, go to "all products and branches" and select "Products & Services > Industrial automation > Process instrumentation".

Contact address for business unit:

Siemens AG

Digital Industries

Process Automation

Östliche Rheinbrückenstr. 50

76187 Karlsruhe, Germany

External position detection

B.1 Introduction

 WARNING
Position Transmitter
Device versions with flameproof enclosures may only be operated with a Position Transmitter with the same type of protection.

In some cases it makes sense to mount the position detection and the controller unit separately. A separate mounting the case, for example, with continuous and strong vibrations, high or too low ambient temperatures and nuclear radiation. A universal component is available for this purpose. It is suitable for part-turn and linear actuators. You will require the following:

One of the following Position Transmitters

- Position Transmitter with article no. 6DR4004-2ES, 3ES or 4ES consisting of:
 - Positioner enclosure
 - Internal NCS module
 - Various blanking plugs and seals
 - Position Transmitter (NCS, ILS) 6DR4004-3ES or Position Transmitter (NCS, MLS) 6DR4004-4ES
- NCS sensor for non-contacting position detection 6DR4004-6N/-8N
- Potentiometers with 3 k Ω , 5 k Ω or 10 k Ω
- Position sensor with a signal range from 0 to 20 mA
- Position sensor with a signal range from 0 to 10 V

And a positioner

- Positioner in combination with Analog Input Module (AIM) 6DR5..0/1/2/3-0...2/3 or retrofitted as accessory 6DR4004-6F/-8F
 - An Analog Input Module (AIM) as an accessory is provided in a set along with cable clamps and M20 cable glands.

B.2 Non-Contacting Sensor

B.2.1 Principle of operation of NCS

The NCS contains a magnetic field sensor. This sensor changes its electrical resistance in response to the immediate presence of a permanent magnet. The sensor has a high signal-to-noise ratio to external magnetic fields due to the measurement method used.

The following figure shows the mode of operation with a rotating magnet.

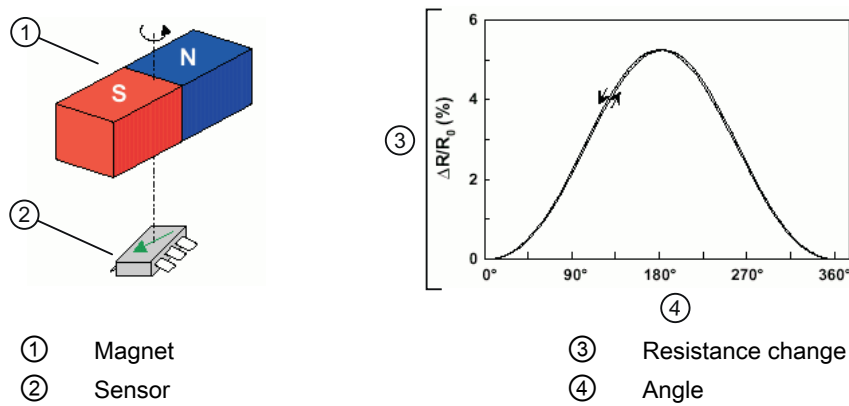


Figure B-1 Relative resistance change depending on the angle of the magnet

The figure shows that a circular movement of the magnet generates a sinusoidal change of the resistance. The mechanical stops of the fitting ensure that only one part (quadrant) of the sinusoidal curve is used at any one time. The principle-related non-linearity of the curve is corrected by means of software based on a curve that is stored in the positioner.

A linear movement of the magnet in the sensor range also generates a resistance change that is used to identify the position. The following figure highlights the principle:

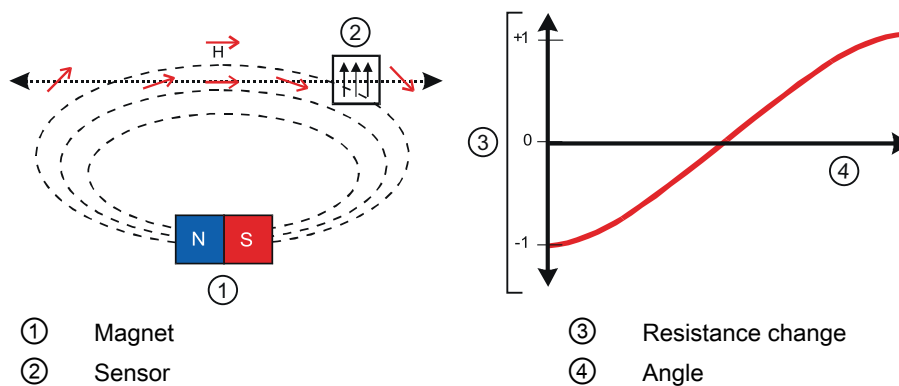


Figure B-2 Resistance change depending on the position of the magnet

Non-linearity is corrected automatically in the positioner by software.

The great advantage of this principle is the absence of wear. Moreover, vibration, dampness and temperature only have a minor impact on the measurement result.

B.2.2 Mounting the NCS

Function

The positioner facilitates the separate installation of the position detection system. The stroke or rotary angle is measured directly at the actuator by means of a non-contacting sensor. It is therefore possible to install the controller unit at some distance away, e.g. on a mounting pipe or similar. The positioner is connected to the position detection system by means of an electrical cable.

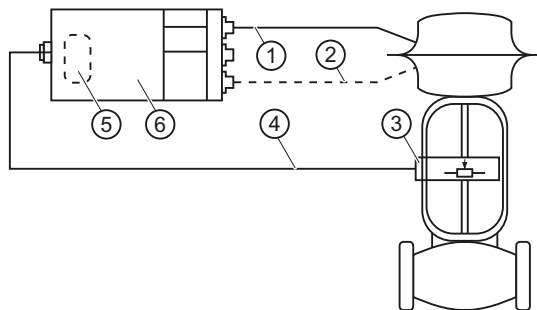
Such a separate installation is useful whenever the ambient conditions at the valve exceed the specified positioner values.

The NCS consists of a molded sensor for fixed installation and a magnet. The magnet is mounted to the spindle on linear actuators, or to the stub shaft on part-turn actuators. The sensor housing is mounted onto the console on part-turn actuators and to the bracket on linear actuators. The bracket can be a NAMUR type, or any other mounting bracket.

Auxiliary power is supplied to the NCS via the Analog Input Module (AIM) 6DR4004-6F and EMC compatibility is ensured at the same time.

You have the following options:

- To order the Analog Input Module (AIM) already installed in the positioner, Catalog FI 01
- To retrofit the Analog Input Module (AIM) in the positioner; article number 6DR4004-6F. For information on retrofitting the Analog Input Module (AIM), refer to the Installing/mounting (Page 37) section of the positioner operating instructions.



- ① Pneumatic line
- ② Pneumatic line for double-action actuators
- ③ Position detection system (10 k Ω potentiometer or NCS)
- ④ Electrical cable
- ⑤ Retrofittable Analog Input Module (AIM) (in the positioner)
- ⑥ Positioner

Figure B-3 Separate installation of the NCS and positioner

B.2.2.1 Mounting on part-turn actuator

Requirement

1. An Analog Input Module (AIM) built into the positioner
2. A non-contacting sensor for part-turn actuators 6DR4004-.N.10 or 6DR4004-.N.40
3. A part-turn actuator with interface acc. to VDI/VDE 3845 and mounting console acc. to VDI/VDE 3845, or
A part-turn actuator with manufacturer-specific interface

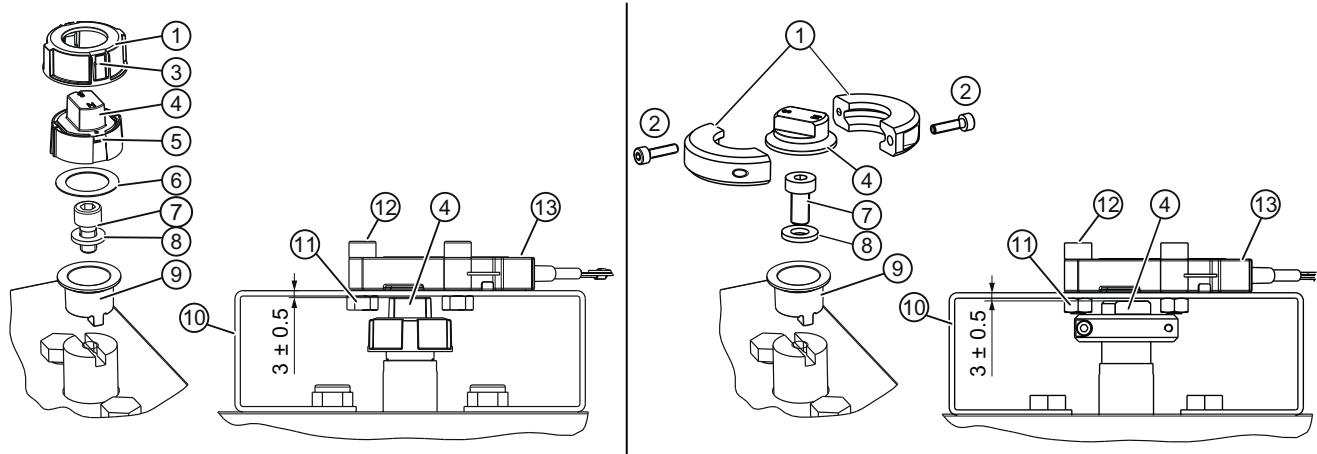
NOTICE

Incorrect mounting

A clearance of 3 mm must be maintained between the magnet and the mounting console in order to ensure correct measurement of the actuator position. The values transferred may be incorrect if this clearance is not given.

- Maintain a clearance of 3 mm between the top edge of the magnet ④ and the top edge of the mounting console ⑩.

Description



- ① Tensioning ring
- ② Hex socket head screw size M3x12
- ③ Spring element
- ④ Magnet
- ⑤ Hooks
- ⑥ Plastic washer
- ⑦ Hex socket head screw size M6x12

- ⑧ Washer
- ⑨ Clamping table
- ⑩ Mounting console
- ⑪ Hexagon nut
- ⑫ Hex socket head screw size M6x25
- ⑬ Non Contacting Sensor (NCS)

Figure B-4 Mounting on part-turn actuator with magnet holder made of glass fiber reinforced polyester (left figure) or anodized aluminum (right figure)

Procedure for the part-turn actuator to VDI/VDE 3845

1. Slide the clamping table ⑨ onto the stub shaft of the part-turn actuator.
2. Mount the clamping table ⑨ to the stub shaft using a hex socket head screw ⑦ and washer ⑧.
3. Depending on the material of the magnet holder, proceed as follows:

Magnet holder made of glass fiber reinforced polyester	Magnet holder made of anodized aluminum
<ol style="list-style-type: none"> 1. Insert the plastic washer ⑥ into the magnet ④. 2. Fix the magnet ④ onto the clamping table ⑨. The magnet ④ can now be rotated easily on the clamping table ⑨. 3. Slide the tensioning ring ① over the magnet ④. Make sure that the spring elements ③ and the hook ⑤ on the magnet ④ are lined up above one another and that they engage. You will now have more resistance when turning the tensioning ring ① and magnet ④. 	<ol style="list-style-type: none"> 1. Place the magnet ④ onto the clamping table ⑨. 2. Secure the magnet ④ to the clamping table ⑨ by connecting the two parts of the tensioning ring ① to the two hex socket head screws ②. The magnet ④ can now be rotated easily on the clamping table ⑨. 3. Then tighten the two hex socket head screws ②. The magnet ④ can then no longer be rotated on the clamping table ⑨.

4. Screw the NCS ⑬ onto the mounting console ⑩ using the hexagon socket-head screw ⑫, hex nut ⑪ and the washer ⑧.
5. Once the NCS ⑬ is mounted, the clearance of 3 mm between the top edge of the magnet ④ and the top edge of the mounting console ⑩ is set automatically.

Procedure for part-turn actuators with manufacturer-specific interface

1. Steps 1 to 4 as above
2. Set a clearance of 3 mm between the top edge of the magnet ④ and the top edge of the mounting console ⑩. Extend the stub shaft accordingly, or insert washers underneath the NCS housing ⑬.

Reference

For information on the scope of delivery, refer to section "Scope of delivery of NCS for part-turn actuators (Page 285)".

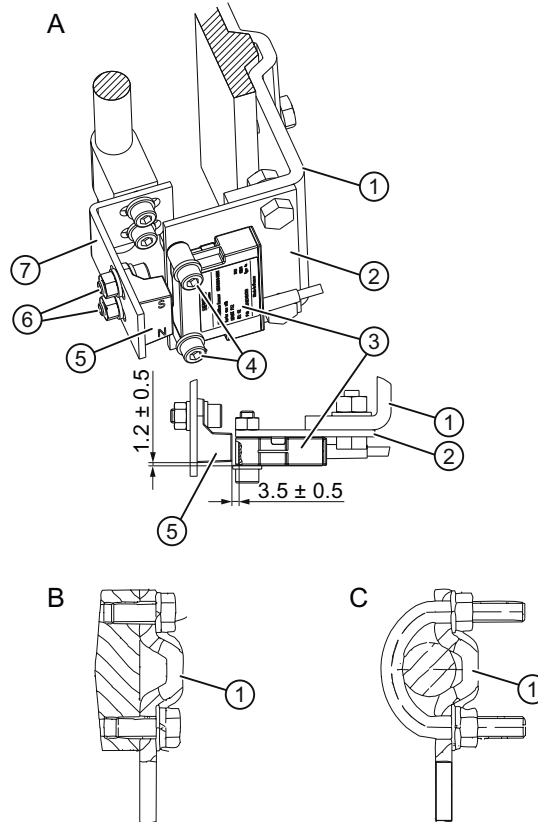
B.2.2.2 Mounting on linear actuator up to 14 mm (0.55 inch)

Requirement

1. An Analog Input Module (AIM) built into the positioner.
2. An NCS for linear actuators up to 14 mm (0.55 inch) 6DR4004-.N.20.
3. A linear actuator with interface to NAMUR. This installation must be carried out individually. Only a NAMUR mounting bracket can be used as mounting base. The following figure shows the assembly with NAMUR mounting bracket. Or:
A linear actuator without interface to NAMUR and individual mounting solution.

Description

The dimensions of magnet and NCS can be found under Dimensional drawing of non-contacting sensor (Page 285).



Dimensions in mm

A	Mounting on a yoke with fin	③	Non Contacting Sensor (NCS)
B	Mounting on a yoke with plane surface	④	Hex socket head screw M6x25
C	Mounting on a yoke with columns	⑤	Magnet
①	NAMUR mounting bracket IEC 60534 - not included in the scope of delivery	⑥	Hex socket head screw M6x12
②	Assembly panel for Non Contacting Sensor (NCS) - individual solution; not included in the scope of delivery	⑦	Mounting bracket for the magnet - individual solution; not included in the scope of delivery

Figure B-5 Example of the assembly on a linear actuator with a stroke up to 14 mm (0.55 inch)

Procedure

1. Produce the mounting panel ② and mounting bracket ⑦ individually.
2. Align the sensor to the center of the stroke. Observe the dimensions specified in the figure.

Reference

For information on the scope of delivery, refer to section "Scope of delivery of NCS for linear actuators up to 14 mm (0.55 inch) . (Page 286)".

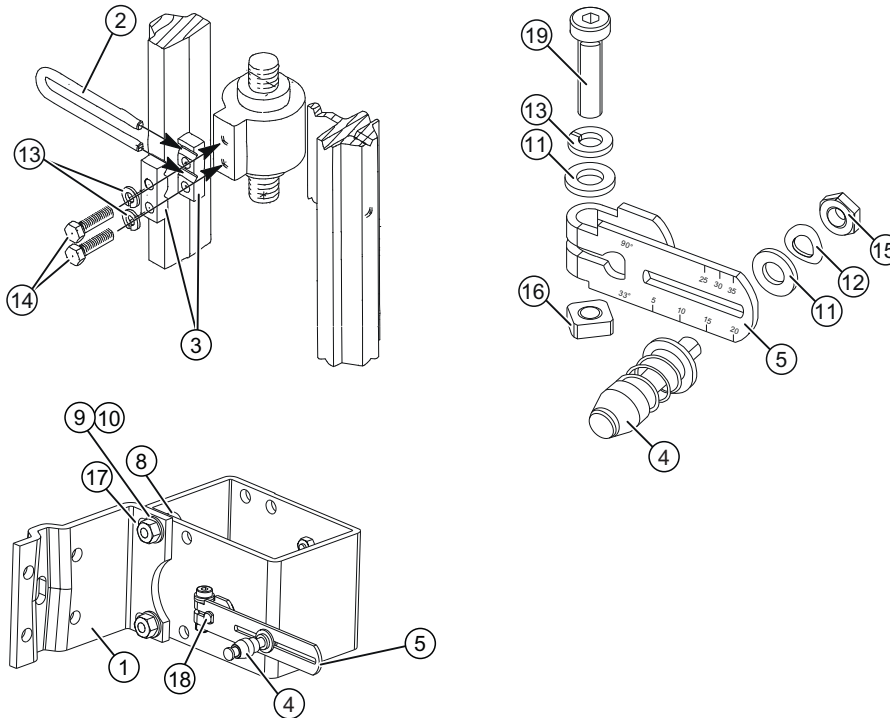
B.2.2.3 Mounting on linear actuator > 14 mm (0.55 inch)

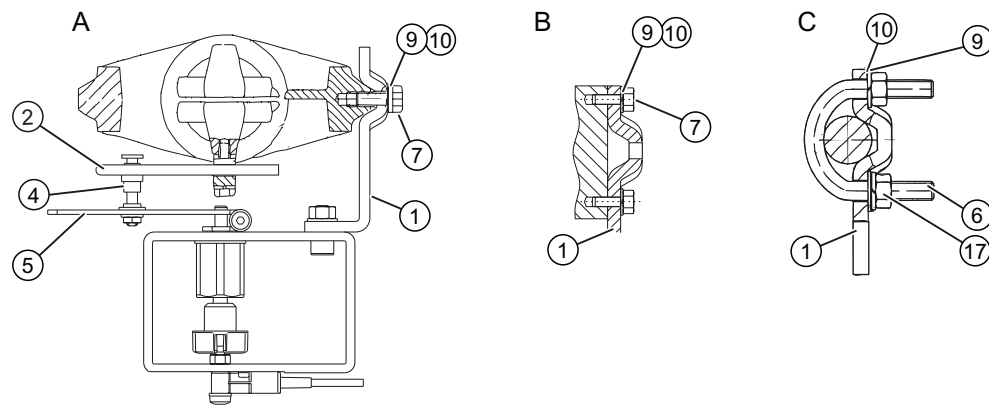
Requirement

1. An Analog Input Module (AIM) built into the positioner.
2. An NCS for linear actuators > 14 mm (0.55 inch) 6DR4004-.N.30.
3. Linear actuator with interface to NAMUR
Item no. based on the respective stroke range: 6DR4004-8V or 6DR4004-8V + 6DR4004-8L.
or
linear actuator without interface to NAMUR and individual mounting solution. Item No. 6DR4004-8VK or 6DR4004-8VL can be used as individual assembly solution, depending on the stroke range.

Description

You can find the dimensions in the dimension drawing in the section "Scope of delivery of NCS for linear actuators > 14 mm (0.55 inch) . (Page 287)".





- | | | | |
|---|---------------------------------------|---|----------------------------------|
| A | Mounting on a yoke with fin | ⑨ | Spring washer A8 |
| B | Mounting on a yoke with plane surface | ⑩ | Washer B 8.4 |
| C | Mounting on a yoke with columns | ⑪ | Washer B 6.4 |
| ① | NAMUR mounting bracket IEC 60534 | ⑫ | Spring lock washer |
| ② | Pick-up bracket | ⑬ | Spring washer A6 |
| ③ | Clamping piece | ⑭ | Hexagonal screw size M6x25 |
| ④ | Carrier pin | ⑮ | Hexagonal nut M6 |
| ⑤ | Lever | ⑯ | Square-head nut M6 |
| ⑥ | U bracket | ⑰ | Hexagonal nut M8 |
| ⑦ | Hexagonal screw size M8x20 | ⑱ | Hex socket head screw size M6x25 |
| ⑧ | Hexagonal screw size M8x16 | | |

Figure B-6 Mounting instructions for linear actuators with a stroke > 14 mm (0.55 inch)

Procedure

1. Mount the clamping pieces ③ to the actuator spindle using the hexagonal screw ⑭ and spring washers ⑬.
2. Slide the pick-up bracket ② into the milled recesses of the clamping pieces.
3. Set the necessary length.
4. Tighten the screws so that you can still shift the pick-up bracket ②.
5. Set the center of the pin ④ to the stroke range value specified on the actuator, or to the next higher scaling value of the lever ⑤. The actuating distance in mm will be displayed on successful initialization if you set the same value at parameter "3.YWAY" when commissioning the system.
6. Slide the lever ⑤ onto the shaft ⑱ up to the endstop.
7. Secure the lever ⑤ using the hex socket head screw ⑱.

8. Mount the bracket ① to the NCS mounting kit using:

- Two hexagonal screws ⑧
- Spring washer ⑨
- Washer ⑩
- Hexagonal nut ⑰

The selection of the row of holes depends on the yoke width of the actuator. Make sure that the dog pin ④ engages in the pick-up bracket ② as close as possible to the spindle over the complete stroke range. The dog pin must not touch the clamping pieces.

9. Place the NCS assembly kit with the mounting bracket ① onto the actuator. Ensure that the dog pin ④ is guided inside the pick-up bracket ②.

10. Tighten the pick-up bracket ② .

11. Prepare the assembly parts for the relevant actuator type for installation:

- For mounting on yoke with fin: hexagonal screw ⑦, washer ⑩ and spring washer ⑨.
- For mounting on a yoke with plane surface: Four hexagonal screw ⑦ with washer ⑩ and spring washer ⑨.
- For actuator with columns: Two U brackets ⑥, four hexagonal screw ⑰ with washer ⑩ and spring washer ⑨.

12. Mount the NCS assembly kit to the yoke using the assembly parts that you prepared.

Note

Observe the height

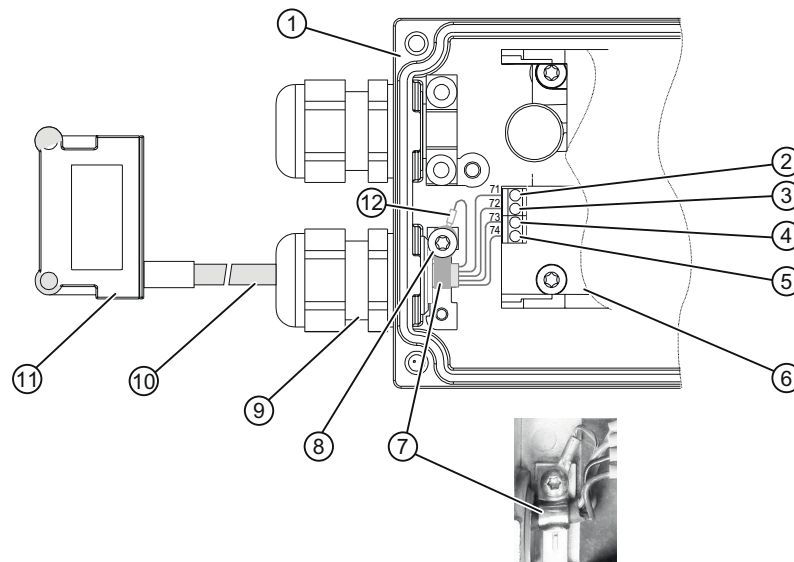
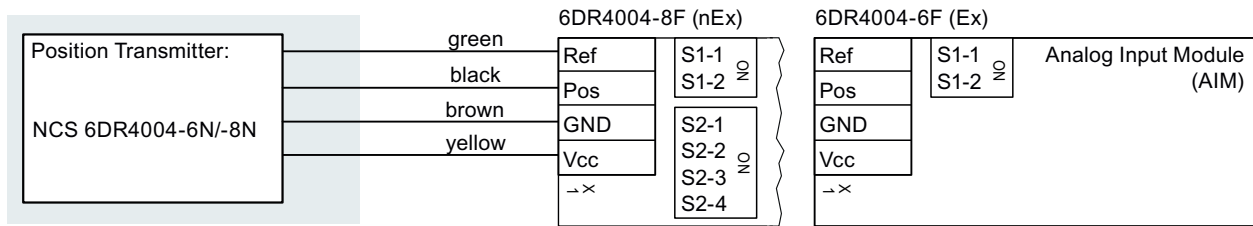
Adjust the height of the NCS assembly kit so that the lever position is in line horizontally with the stroke center. Use the lever scale on the actuator for orientation. If a symmetrical assembly is not possible, you must always ensure that the lever is in horizontal position within the range of the stroke.

B.2.3 Connecting NCS to Analog Input Module (AIM)

Requirement

You need the Analog Input Module (AIM), article number 6DR4004-6F or -8F, for the electrical connection of the accessory part "NCS sensor for non-contacting position measurement" to the positioner. The positioner supplies auxiliary power to the NCS sensor via the option module.

Wiring diagram



- ① Positioner (open state)
- ② Terminal Ref: Green
- ③ Terminal Pos: Black
- ④ Terminal GND: Brown
- ⑤ Terminal Vcc: Yellow
- ⑥ Analog Input Module (AIM)
- ⑦ Cable clamp
- ⑧ Screw F3x8
- ⑨ Cable gland
- ⑩ Four-pole NCS cable
- ⑪ Non Contacting Sensor (NCS)
- ⑫ Cable shielding lug

Figure B-7 Example of connecting the NCS to the Analog Input Module (AIM)

Procedure

The NCS sensor is equipped with a shielded 4-pin cable. Connect this 4-pin cable to the positioner as follows:

1. Feed the 4-pin NCS cable ⑩ through the union nut and the cable gland. Note: The type of cable gland depends on the positioner version.
2. Tighten the cable gland ⑨.
3. Connect the 4-pin NCS cable ⑩ to the Analog Input Module (AIM) of the positioner in accordance with the wiring diagram.
4. Place the cable clamp ⑦ onto the outer insulation of the 4-pin NCS cable ⑩.
5. Use the screw ⑧ to bond the cable shielding lug ⑫ and the cable clamp ⑦ to the ground terminal of the positioner.
6. Grounding:
The rear steel panel of the NCS sensor is inevitably bonded to the ground potential of the system when mounting on the console. This ground connection is only functional if there is a low-impedance connection to ground potential of the system. Ensure this connection by measuring the resistance. If necessary, ensure proper grounding by means of an additional cable from the NCS sensor to ground potential.

B.2.4 Commissioning of NCS

B.2.4.1 Prerequisites / default settings

1. Supply electrical and pneumatic auxiliary power to the positioner. The top row of the display shows the current sensor voltage (0 to 100%), while the "NOINI" info flashes in the bottom row. The pneumatic actuator does not move.
2. If the positioner has already been initialized, perform a reset. Carry out the reset of parameter group "Init" in the '50.PRST' Preset (Page 160) parameter.
3. Preset for part-turn actuators:
While the process valve is closed, align the magnet so that the north pole is in the direction of the cable; "N" in position ⑦ in "Figure B-4 Mounting on part-turn actuator with magnet holder made of glass fiber reinforced polyester (left figure) or anodized aluminum (right figure) (Page 274)".
4. Monitor the display of the positioner while adjusting the actuator to its mechanical stops by means of ▲ and ▼ at the positioner. Verify that the displayed values never exceed the range from P2.0 to P98.0.

Note

This condition cannot be met with slipping flaps or linear actuators that exceed the mechanical actuation limits.

B.2.4.2 Initialization of part-turn actuators

Procedure

1. For part-turn actuators operating in standard control direction, set parameter "1.YFCT" to "ncSt", or to "-ncSt" in case of inverse control direction.
2. Launch initialization as usual with "INITA".

B.2.4.3 Initializing linear actuators with a stroke range up to 14 mm (0.55 inch)

Requirements

1. Set the "1.YFCT" parameter of the positioner to "ncSL" or - with inverse control direction - to "-ncSL".
2. Launch initialization as usual with "INITA".

B.2.4.4 Initializing linear actuators with a stroke range > 14 mm (0.55 inch)

Note

Parameter values "ncSLL" and "-ncLL" are only available for devices of the 6DR5... series and only with the firmware version > C4. Set the value to 90° on devices of the 6DR5... series with firmware version < C5 (YAGL). This setting is also necessary for devices of the 6DR4... series. Resultant non-linearity can be corrected by means of the programmable characteristic by setting the parameter value from "SFCT" to "FrEE" and adapting the interpolation points.

Requirements

1. Set the "1.YFCT" parameter of the positioner to "ncSLL" or - with inverse control direction - to "-ncLL".
2. Launch initialization as usual with "INITA".

B.2.5 Technical specifications NCS

Additional modules	Without Ex protection	With Ex protection Ex "ia"	With explosion protection Ex "ic", "ec"
Travel range			
• Linear actuator 6DR4004-6/8N.20		3 to 14 mm (0.12 to 0.55")	
• Linear actuator 6DR4004-6/8N.30	10 to 130 mm (0.39 to 5.12"); up to 200 mm (7.87") on request		
• Part-turn actuator		30 to 100°	

External position detection

B.2 Non-Contacting Sensor

Additional modules	Without Ex protection	With Ex protection Ex "ia"	With explosion protection Ex "ic", "ec"
Linearity (after corrections made by positioner)		± 1 %	
Hysteresis		± 0.2 %	
Temperature influence (range: rotation angle 120° or stroke 14 mm)		≤ 0.1 %/10 K (≤ 0.1 %/18 °F) for -20 to +90 °C (-4 to +194 °F) ≤ 0.2%/10 K (≤ 0.2%/18 °F) for -40 to -20 °C (-40 to -4 °F)	
Climate class		According to IEC/EN 60721-3	
• Storage		1K5, but -40 to +90 °C (-40 to +194 °F)	
• Transport		2K4, but -40 to +90 °C (-40 to +194 °F)	
Vibration resistance			
• Harmonic oscillations (sine) according to IEC 60068-2-6		3.5 mm (0.14"), 2 to 27 Hz, 3 cycles/axis 98.1 m/s ² (321.84 ft/s ²), 27 to 300 Hz, 3 cycles/axis	
• Bumping according to IEC 60068-2-29		300 m/s ² (984 ft/s ²), 6 ms, 4000 shocks/axis	
Torque for cable gland nut made of	Plastic	Metal	Stainless steel
	2.5 Nm (1.8 ft lb)	4.2 Nm (3.1 ft lb)	4.2 Nm (3.1 ft lb)
Torque of hexagon socket-head screw M6x12 (shaft end or mounting bracket)		4 Nm (3 ft lb)	
Torque of hexagon socket head screw M6x25 (mounting console or mounting plate)		4 Nm (3 ft lb)	
Torque of hexagon socket head screw M3x12 (clamping ring)		1 Nm (0.7 ft lb)	
Degree of protection		IP68 / type 4X	
For connecting to circuits with the following peak values	-	U _i = 5 V I _i = 160 mA P _i = 120 mW	U _i = 5 V
Effective internal capacitance	-	C _i = ¹⁾	C _i = ¹⁾
Effective internal inductance	-	L _i = ²⁾	L _i = ²⁾

¹⁾ C_i = 110 nF + 110 nF per meter of connecting cable

²⁾ L_i = 270 μH + 6.53 μH per meter of connecting cable

B.2.6 Dimensional drawing of non-contacting sensor

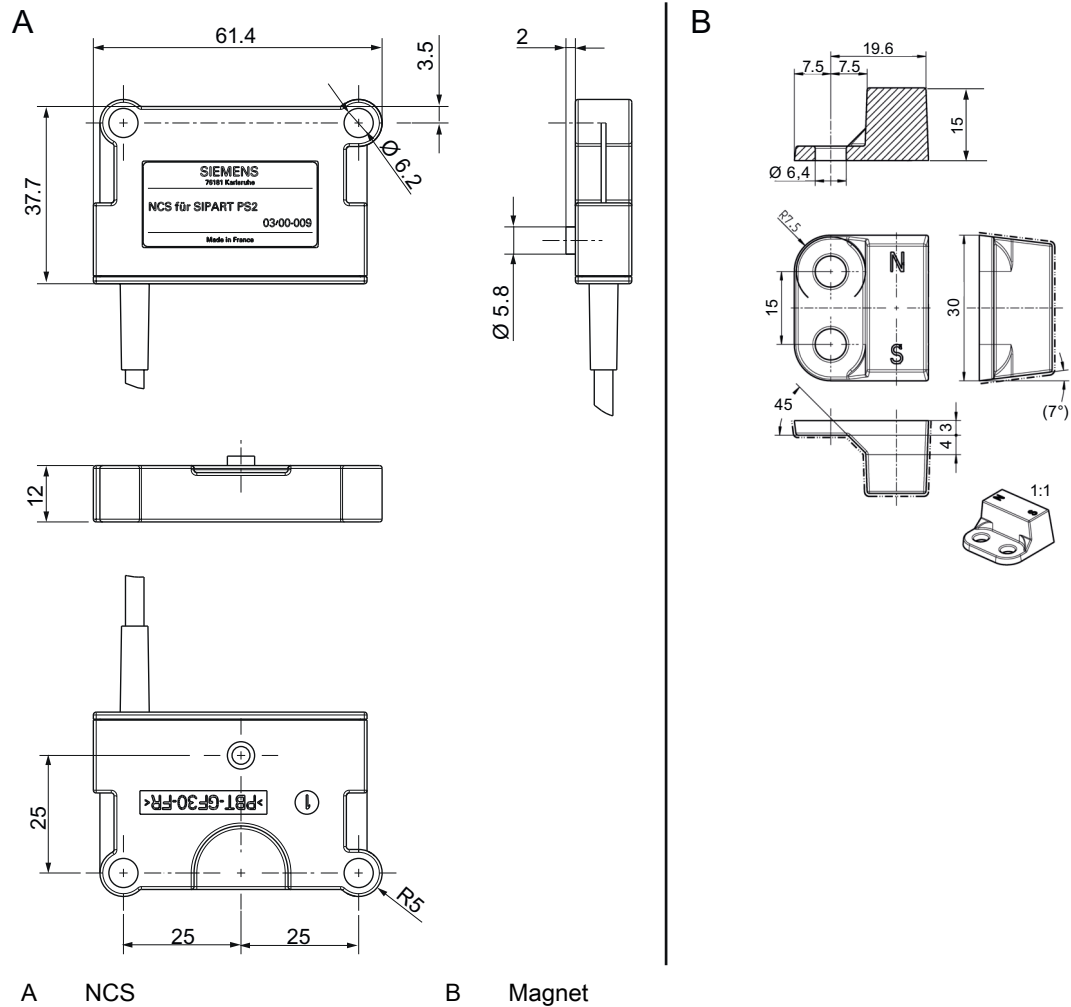


Figure B-8 Dimensional drawing of the NCS and magnet

B.2.7 NCS sensor scope of delivery

B.2.7.1 Scope of delivery of NCS for part-turn actuators

6DR4004-.N.10	6DR4004-.N.40		
Quantity	Quantity	Name	Note
1	1	Magnet clamp	
5	5	Washer	6
2	2	Hex socket head screw	M6x12
1	-	Plastic washer	
1	1	Magnet	

B.2 Non-Contacting Sensor

6DR4004-.N.10	6DR4004-.N.40		
1	2	Tensioning ring	
4	4	Hexagon nut	M6
2	2	Hex socket head screw	M6x25
-	2	Hex socket head screw	M3x12
1	1	Non-contacting sensor	Cable lengths as ordered
1	1	Self-tapping screw for polycarbonate enclosure	F3x8
1	1	Sealing	For cable bushings
1	1	Plugs	For closing the sealing insert
1	1	Cable clamp	
1	1	DVD	with documentation

See also

Mounting the NCS (Page 273)

B.2.7.2 Scope of delivery of NCS for linear actuators up to 14 mm (0.55 inch) .

Linear actuator with a stroke range up to 14 mm (0.55 inch) 6DR4004-.N.20		
Quantity	Designation	Notes
1	Magnet	
5	Washer	6
2	Hex socket head screw	M6x12
4	Hexagon nut	M6
2	Hex socket head screw	M6x25
1	Non-contacting sensor	Cable lengths as ordered
1	Screw	F3x8
1	Sealing	For cable bushings
1	Plugs	For closing the sealing insert
1	Cable clamp	
1	DVD	with documentation

See also

Mounting the NCS (Page 273)

B.2.7.3 Scope of delivery of NCS for linear actuators > 14 mm (0.55 inch) .

Linear actuator > 14 mm (0.55 inch) 6DR4004-.N.30		
Quantity	Designation	Notes
1	NCS assembly kit, completely assembled	Mounting by means of assembly kit for NAMUR linear actuators Mounting kit available on separate order, see 'Accessories' in Catalog FI 01.

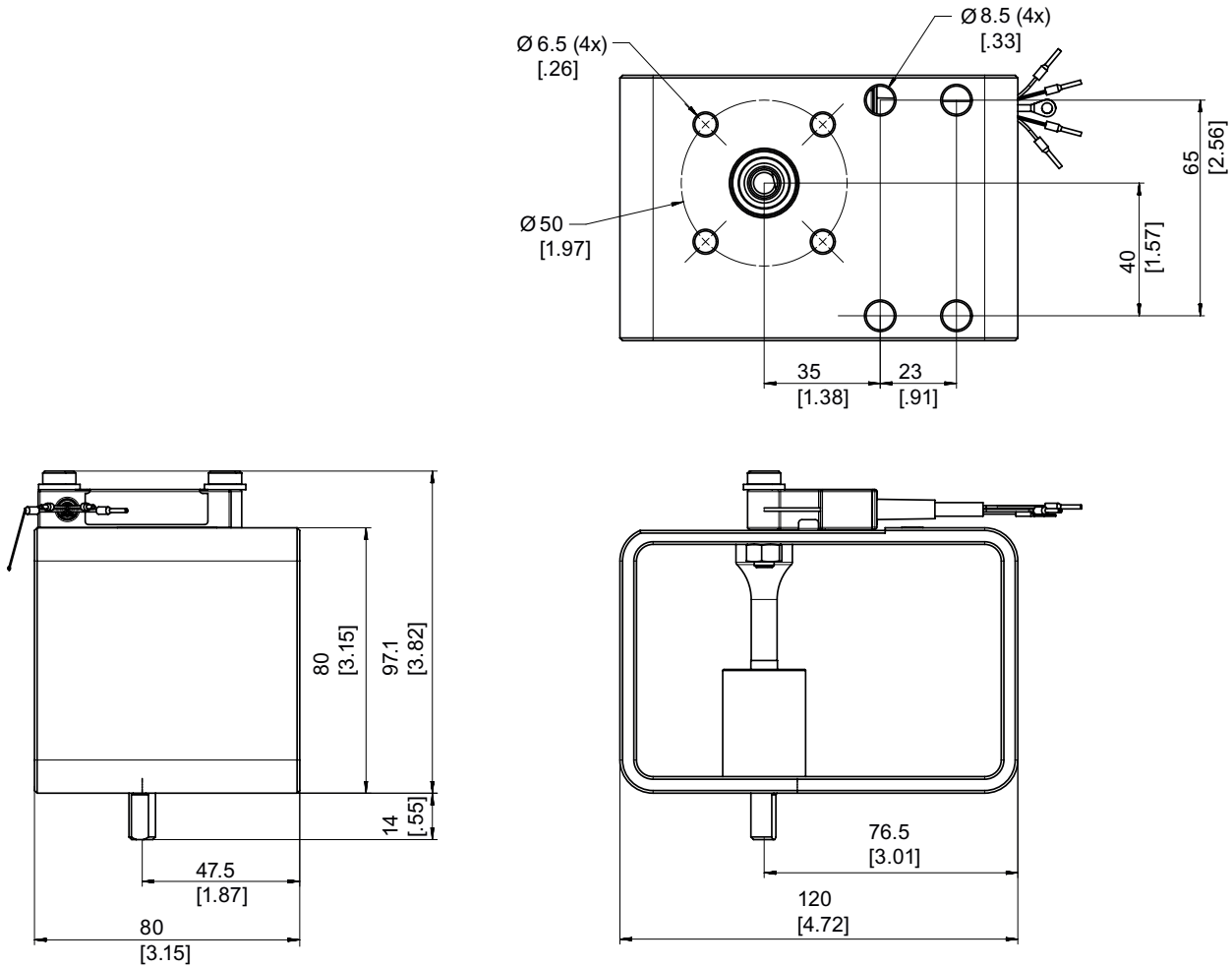


Figure B-9 Dimension drawing NCS module > 14 mm (0.55 inch)

B.3 External position detection

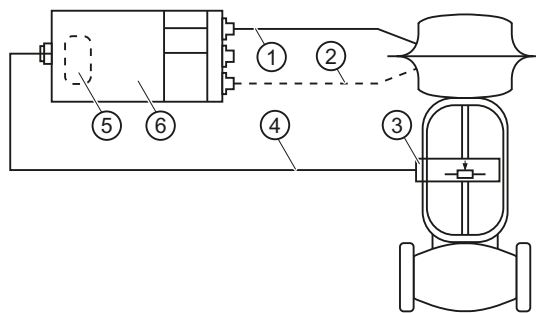
B.3.1 Mode of operation for external position detection

The Position Transmitter essentially consists of an enclosure and an internal position detection system. The position is recorded by a potentiometer or an internal NCS module, section "Principle of operation of NCS (Page 272)". The controller unit is separated from the positioner.

Such a separate installation is useful whenever the ambient conditions at the valve exceed the specified positioner values.

The Position Transmitter is secured to a console with part-turn actuators and to a mounting bracket with linear actuators, section "Mounting to linear actuator (Page 40)".

Auxiliary power is supplied to the Position Transmitter via the Analog Input Module (AIM) and EMC compatibility is ensured at the same time.



- ① Pneumatic line
- ② Pneumatic line for double-action actuators
- ③ Position Transmitter
- ④ Electrical cable
- ⑤ Analog Input Module (AIM) (fitted in the positioner or retrofittable)
- ⑥ Positioner

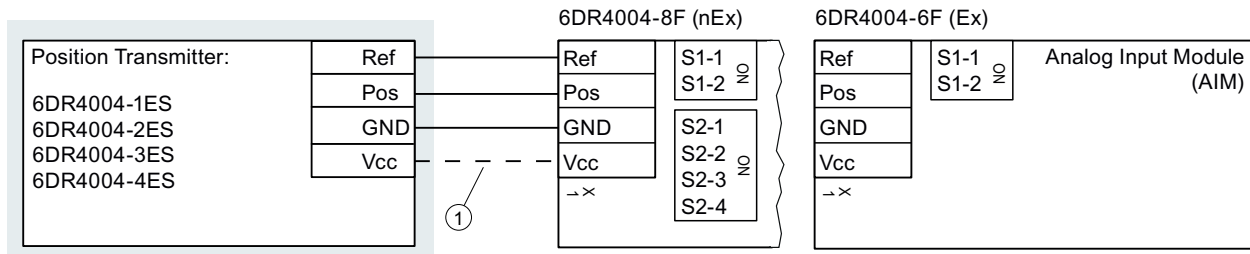
Figure B-10 Position Transmitter and positioner

B.3.2 Installation of external position detection system

Mounting of the Position Transmitter corresponds to the mounting of the positioner in a non-flameproof enclosure. Proceed as described in Section "Installing and mounting (Page 37)". The connection of the Analog Input Module (AIM) is described in the section "Analog Input Module (AIM) 6DR4004-6F / -8F (Page 87)".

B.3.3 Connecting to Analog Input Module (AIM)

Wiring diagram



① Connection of terminal Vcc is only needed for 6DR4004-2ES, -3ES and -4ES.

B.3.4 Technical specifications of the external position detection system

B.3.4.1 Rated conditions for external position detection

Rated conditions	
Ambient temperature	In hazardous areas, observe the maximum permissible ambient temperature corresponding to the temperature class.
<ul style="list-style-type: none"> Permissible ambient temperature for operation 	-40 ... +90 °C (-40 ... +194 °F)
Degree of protection ¹⁾	IP66 / Type 4X to UL 50E
Climate class	According to IEC/EN 60721-3
<ul style="list-style-type: none"> Storage Transport Operation 	1K5, but -40 ... +90 °C (1K5, but -40 ... +194 °F) 2K4, but -40 ... +90 °C (2K4, but -40 ... +194 °F) 4K3, but -40 ... +90 °C (4K3, but -40 ... +194 °F)

¹⁾) Impact energy max. 1 joule.

B.3.4.2 Electrical data for external position detection

External NCS sensors 6DR4004-6N / -8N

	Without explosion protection	With explosion protection Ex "ia", "db ia", "ic"	With explosion protection Ex "ec"
	6DR4004-8N	6DR4004-6N	6DR4004-6N
Travel range			
<ul style="list-style-type: none"> Linear actuator 6DR4004-6/-8N.20 Linear actuator 6DR4004-6/-8N.30 		3 to 14 mm (0.12 to 0.55")	10 to 130 mm (0.39 to 5.12"); up to 200 mm (7.87") on request

External position detection

B.3 External position detection

	Without explosion protection	With explosion protection Ex "ia", "db ia", "ic"	With explosion protection Ex "ec"
	6DR4004-8N	6DR4004-6N	6DR4004-6N
• Part-turn actuator		30 to 100°	
Linearity (after corrections made by positioner)		± 1 %	
Hysteresis		± 0.2 %	
Temperature influence (range: rotation angle 120° or stroke 14 mm)		$\leq 0.1 \%/10 \text{ K}$ ($\leq 0.1 \%/18 \text{ }^\circ\text{F}$) for -20 to +90 °C (-4 to +194 °F) $\leq 0.2\%/10 \text{ K}$ ($\leq 0.2\%/18 \text{ }^\circ\text{F}$) for -40 to -20 °C (-40 to -4 °F)	
Climate class		According to IEC/EN 60721-3	
• Storage		1K5, but -40 to +90 °C (-40 to +194 °F)	
• Transport		2K4, but -40 to +90 °C (-40 to +194 °F)	
Vibration resistance			
• Harmonic oscillations (sine) according to IEC 60068-2-6		3.5 mm (0.14"), 2 to 27 Hz, 3 cycles/axis 98.1 m/s ² (321.84 ft/s ²), 27 to 300 Hz, 3 cycles/axis	
• Bumping according to IEC 60068-2-29		300 m/s ² (984 ft/s ²), 6 ms, 4000 shocks/axis	
Torque for cable gland nut made of	Plastic	Metal	
	2.5 Nm (1.8 ft lb)	4.2 Nm (3.1 ft lb)	
Torque of hexagon socket-head screw M6x12 (shaft end or mounting bracket)		4 Nm (3 ft lb)	
Torque of hexagon socket head screw M6x25 (mounting console or mounting plate)		4 Nm (3 ft lb)	
Torque of hexagon socket head screw M3x12 (clamping ring)		1 Nm (0.7 ft lb)	
Degree of protection		IP68 according to IEC/EN 60529; Type 4X according to UL 50E	
For connecting to circuits with the following peak values	-	$U_i \leq 5 \text{ V}$ $I_i \leq 160 \text{ mA}$ $P_i \leq 120 \text{ mW}$	$U_i \leq 5 \text{ V}$
Effective internal capacitance	-	$C_i = 110 \text{ nF} + 110 \text{ nF per meter of connecting cable}$	
Effective internal inductance	-	$L_i = 270 \text{ } \mu\text{H} + 6.53 \text{ } \mu\text{H per meter of connecting cable}$	

Position Transmitter (Potentiometer) 6DR4004-1ES

Additional modules	With explosion protection Ex "ia", "db ia", "ic"	With explosion protection Ex "ec", "tb"
Degree of protection	IP66 according to IEC/EN 60529; Type 4X according to UL 50E	
For connecting to circuits with the following peak values	$U_i \leq 5 \text{ V}$	$U_i \leq 5 \text{ V}$
Effective internal capacitance	$C_i \leq 10 \text{ nF}$	-
Effective internal inductance	$L_i \leq 240 \text{ } \mu\text{H}$	-

Position Transmitter (NCS) 6DR4004-2ES

	Without explosion protection	With explosion protection Ex "ia", "db ia", "ic"	With explosion protection Ex "ec", "tb"
Travel range			
• Linear actuator		3 to 14 mm (0.12 to 0.55")	
		10 to 130 mm (0.39 to 5.12"); up to 200 mm (7.87") on request	
• Part-turn actuator		30 to 100°	
Linearity (after corrections made by positioner)		± 1 %	
Hysteresis		± 0.2 %	
Temperature influence (range: rotation angle 120° or stroke 14 mm)		≤ 0.1 %/10 K (≤ 0.1 %/18 °F) for -20 to +90 °C (-4 to +194 °F)	
		≤ 0.2%/10 K (≤ 0.2%/18 °F) for -40 to -20 °C (-40 to -4 °F)	
Climate class		According to IEC/EN 60721-3	
• Storage		1K5, but -40 to +90 °C (-40 to +194 °F)	
• Transport		2K4, but -40 to +90 °C (-40 to +194 °F)	
Vibration resistance			
• Harmonic oscillations (sine) according to IEC 60068-2-6		3.5 mm (0.14"), 2 to 27 Hz, 3 cycles/axis 98.1 m/s ² (321.84 ft/s ²), 27 to 300 Hz, 3 cycles/axis	
• Bumping according to IEC 60068-2-29		300 m/s ² (984 ft/s ²), 6 ms, 4000 shocks/axis	
Torque for cable gland nut made of	Plastic		Metal
	2.5 Nm (1.8 ft lb)		4.2 Nm (3.1 ft lb)
Torque of hexagon socket-head screw M6x12 (shaft end or mounting bracket)		4 Nm (3 ft lb)	
Torque of hexagon socket head screw M6x25 (mounting console or mounting plate)		4 Nm (3 ft lb)	
Torque of hexagon socket head screw M3x12 (clamping ring)		1 Nm (0.7 ft lb)	
Degree of protection provided by enclosure		IP66 according to IEC/EN 60529; Type 4X according to UL 50E	
For connecting to circuits with the following peak values	-	U _i ≤ 5 V I _i ≤ 160 mA P _i ≤ 120 mW	U _i ≤ 5 V
Effective internal capacitance	-	C _i = 110 nF + 110 nF per meter of connecting cable	
Effective internal inductance	-	L _i = 270 μH + 6.53 μH per meter of connecting cable	

Position Transmitter (NCS, ILS) 6DR4004-3ES

	Without explosion protection	With explosion protection Ex "ia", "db ia", "ic"	With explosion protection Ex "ec", "tb"
Degree of protection provided by enclosure		IP66 according to IEC/EN 60529; type 4X according to UL 50E	
NCS module (NCS)	6DR4004-5L	6DR4004-5LE	6DR4004-5LE

External position detection

B.3 External position detection

	Without explosion protection	With explosion protection Ex "ia", "db ia", "ic"	With explosion protection Ex "ec", "tb"
• For connecting to circuits with the following peak values	-	$U_i \leq 5\text{ V}$ $I_i \leq 160\text{ mA}$ $P_i \leq 120\text{ mW}$	$U_i \leq 5\text{ V}$ $I_i \leq 160\text{ mA}$
• Effective internal capacitance	-	$C_i = 110\text{ nF} + 690\text{ pF/m}$ Connecting cable	-
• Effective internal inductance	-	$L_i = 270\text{ }\mu\text{H} + 6,53\text{ }\mu\text{H/m}$ Connecting cable	-
Inductive Limit Switches (ILS)	6DR4004-8G	6DR4004-6G	6DR4004-6G
2 slotted initiators			
• Digital output (slot-type initiators) A1: Terminals 41 and 42			
• Digital output (slot-type initiators) A2: Terminals 51 and 52			
• Connection	2-wire system according to EN 60947-5-6 (NAMUR), for switching amplifier connected on load side		
• Signal state High (not triggered)		> 2.1 mA	
• Signal state Low (triggered)		< 1.2 mA	
• 2 slotted initiators		Type SJ2-SN	
• Function		NC (normally closed)	
• Connecting to circuits with the following peak values	Rated voltage 8 V, power consumption: $\geq 3\text{ mA}$ (limit not activated), $\leq 1\text{ mA}$ (limit activated)	$U_i \leq \text{DC } 15\text{ V}$ $I_i \leq 25\text{ mA}$ $P_i \leq 64\text{ mW}$	$U_n \leq \text{DC } 15\text{ V}$ $I_n \leq 25\text{ mA}$
Effective internal capacitance	-	$C_i \leq 161\text{ nF}$	-
Effective internal inductance	-	$L_i \leq 120\text{ }\mu\text{H}$	-
1 fault message output			
• Digital output: Terminals 31 and 32			
• Connection	At switching amplifier in accordance with EN 60947-5-6: (NAMUR), $U_{\text{Aux}} = 8.2\text{ V}$, $R_i = 1\text{ k}\Omega$		
• Signal state High (not triggered)	$R = 1.1\text{ k}\Omega$	> 2.1 mA	> 2.1 mA
• Signal state Low (triggered)	$R = 10\text{ k}\Omega$	< 1.2 mA	< 1.2 mA
• Auxiliary power U_{Aux}	$U_{\text{Aux}} \leq \text{DC } 35\text{ V}$ $I \leq 20\text{ mA}$	-	-
• Connecting to circuits with the following peak values	-	$U_i \leq \text{DC } 15\text{ V}$ $I_i \leq 25\text{ mA}$ $P_i \leq 64\text{ mW}$	$U_i \leq 15\text{ V}$ $I_i \leq 25\text{ mA}$
Effective internal capacitance	-	$C_i = 5.2\text{ nF}$	-
Effective internal inductance	-	$L_i = \text{negligibly small}$	$L_i = \text{negligibly small}$
Galvanic isolation	The 3 digital outputs are galvanically isolated from the basic unit.		
Test voltage	DC 840 V, 1 s		

Position Transmitter (NCS, MLS) 6DR4004-4ES

	Without explosion protection	With explosion protection Ex "ia", "db ia", "ic"	With explosion protection Ex "ec", "tb"
Degree of protection provided by enclosure	IP66 according to IEC/EN 60529; type 4X according to UL 50E		
NCS module (NCS)	6DR4004-5L	6DR4004-5LE	6DR4004-5LE
<ul style="list-style-type: none"> For connecting to circuits with the following peak values 		$U_i \leq 5 \text{ V}$ $I_i \leq 160 \text{ mA}$ $P_i \leq 120 \text{ mW}$	$U_i \leq 5 \text{ V}$ $I_i \leq 160 \text{ mA}$
<ul style="list-style-type: none"> Effective internal capacitance 		$C_i = 110 \text{ nF} + 690 \text{ pF/m}$ Connecting cable	-
<ul style="list-style-type: none"> Effective internal inductance 		$L_i = 270 \text{ }\mu\text{H} + 6,53 \text{ }\mu\text{H/m}$ Connecting cable	-
Mechanic Limit Switches (MLS)	6DR4004-8K	6DR4004-6K	6DR4004-6K
2 limit contacts			
<ul style="list-style-type: none"> Digital output (switching contact) A1: Terminals 41 and 42 Digital output (switching contact) A2: Terminals 51 and 52 			
<ul style="list-style-type: none"> Max. switching current AC/DC 	4 A	-	-
<ul style="list-style-type: none"> For connecting to circuits with the following peak values 	-	$U_i \leq 30 \text{ V}$ $I_i \leq 100 \text{ mA}$ $P_i \leq 750 \text{ mW}$	$U_n \leq 30 \text{ V}$ $I_n \leq 100 \text{ mA}$
Effective internal capacitance	-	$C_i = \text{negligibly small}$	-
Effective internal inductance	-	$L_i = \text{negligibly small}$	-
<ul style="list-style-type: none"> Max. switching voltage AC/DC 	250 V/24 V	DC 30 V	DC 30 V
1 fault message output			
<ul style="list-style-type: none"> Digital output: Terminals 31 and 32 			
<ul style="list-style-type: none"> Connection 	On switching amplifier according to EN 60947-5-6: (NAMUR), $U_{Aux} = 8.2 \text{ V}$, $R_i = 1 \text{ k}\Omega$		
<ul style="list-style-type: none"> Signal state High (not triggered) 	$R = 1.1 \text{ k}\Omega$	$> 2.1 \text{ mA}$	$> 2.1 \text{ mA}$
<ul style="list-style-type: none"> Signal state Low (triggered) 	$R = 10 \text{ k}\Omega$	$< 1.2 \text{ mA}$	$< 1.2 \text{ mA}$
<ul style="list-style-type: none"> Auxiliary power 	$U_{Aux} \leq \text{DC } 35 \text{ V}$ $I \leq 20 \text{ mA}$	-	-
<ul style="list-style-type: none"> Connecting to circuits with the following peak values 	-	$U_i \leq 15 \text{ V}$ $I_i \leq 25 \text{ mA}$ $P_i \leq 64 \text{ mW}$	$U_n \leq 15 \text{ V}$ $I_n \leq 25 \text{ mA}$
Effective internal capacitance	-	$C_i = 5.2 \text{ nF}$	$C_i = 5.2 \text{ nF}$
Effective internal inductance	-	$L_i = \text{negligibly small}$	
Galvanic isolation	The 3 digital outputs are galvanically isolated from the basic unit		
Test voltage	3150 V DC, 2 s		
Rated condition height	Max. 2 000 m above sea level. Use a suitable power supply at an altitude of more than 2 000 m above sea level.	-	-

External position detection

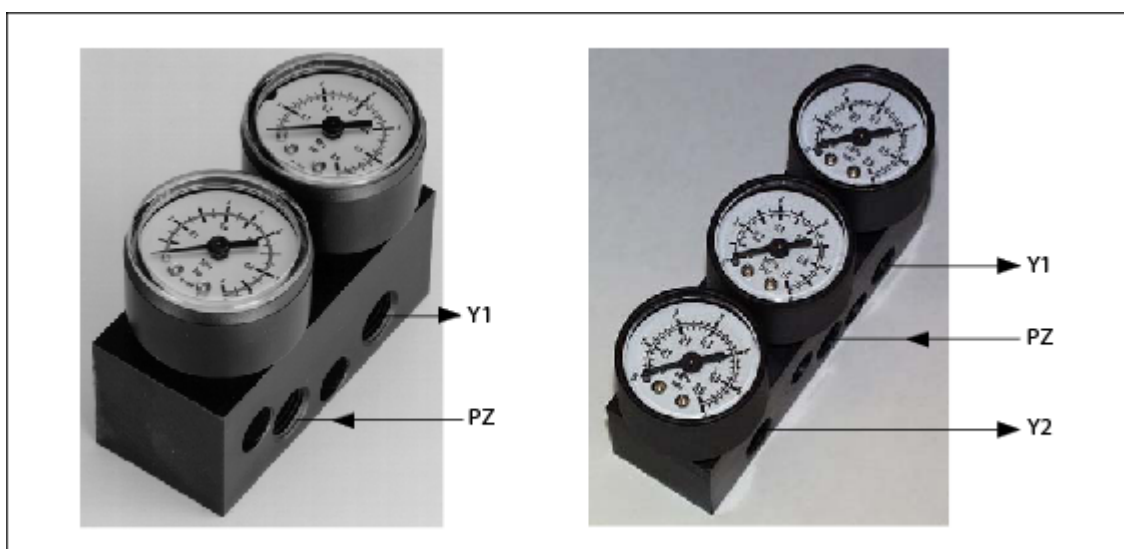
B.3 External position detection

	Without explosion protection	With explosion protection Ex "ia", "db ia", "ic"	With explosion protection Ex "ec", "tb"

Pressure gauge block

Pressure gauge block

Pressure gauge blocks that are available as accessories are illustrated below. The gauges display measured values for the actuating pressure and supply pressure. The figure to the left shows the pressure gauge block for single-acting actuators. The image to the right shows the pressure gauge block for double-acting actuators.



- Y1 Actuating pressure
- PZ Supply pressure
- Y2 Actuating pressure

Fixing the pressure gauge block


The pressure gauge block is fixed onto the lateral pneumatic connection of the positioner using the screws provided. Use the provided O-rings as sealing elements.

Sealing plug / thread adapter

D.1 Intended use of accessory part

The sealing plug and the thread adapter (components) can be used for installation in electrical equipment of flameproof "Ex d" type of protection of groups IIA, IIB, IIC as well as dust protection by enclosure "Ex t" type of protection.

D.2 Safety instructions for accessory part

<p> WARNING</p> <p>Incorrect assembly</p> <ul style="list-style-type: none"> • The component can be damaged or destroyed or its functionality impaired through incorrect assembly. <ul style="list-style-type: none"> – Mount the component using a suitable tool. Refer to the information in Chapter "Technical specifications of accessory part (Page 298)", for example, torques for installation. • For "Explosion-proof Ex d" type of protection: To ensure an engagement depth of 8 mm, the enclosure must have a wall thickness of at least 10 mm. <p>Improper modifications</p> <p>Danger to personnel, system and environment can result from modifications and repairs of the component, particularly in hazardous areas.</p> <ul style="list-style-type: none"> • Any modification which deviates from the delivery state is not permitted. <p>Loss of enclosure type of protection</p> <p>IP protection is not guaranteed without sealant.</p> <ul style="list-style-type: none"> • Use a suitable thread sealant. • If you are using the component in type of protection dust protection by enclosure "Ex t", use the supplied sealing ring (①, figure in Chapter "Dimensional drawings for accessory part (Page 299)"). <p>Unsuitable fluids in the environment</p> <p>Danger of injury or damage to device.</p> <p>Aggressive media in the environment can damage the sealing ring. Type of protection and device protection may no longer be guaranteed.</p> <ul style="list-style-type: none"> • Make sure that the sealing material is suitable for the area of use.

Note

Loss of type of protection

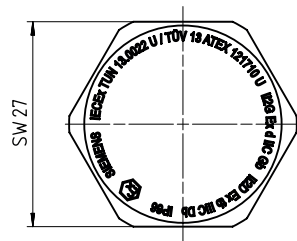
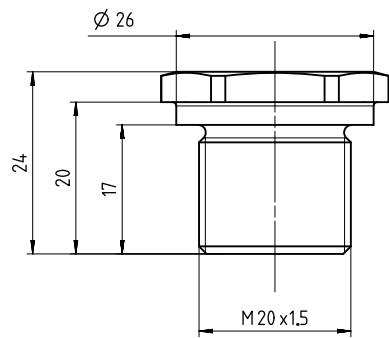
Changes in the ambient conditions can loosen the component.

- As part of the recommended maintenance intervals: Check the compression fitting for tight fit and tighten, if necessary.

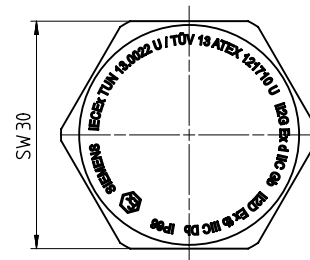
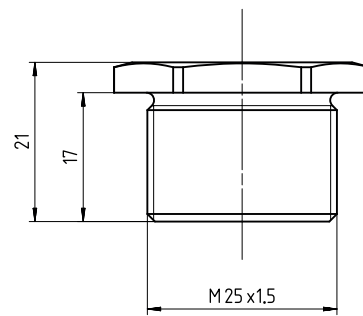
D.3 Technical specifications of accessory part

Technical specifications sealing plug and thread adapter	
Sealing plug suitable for types of protection	Explosion-proof enclosure "d" of groups IIA, IIB, IIC Dust protection by enclosure "t"
Standard compliance	The components meet Directive 94/9. They meet the requirements of standards IEC/EN 60079-0; IEC/EN 60079-1; IEC/EN 60079-31.
Explosion protection	
• Gas explosion protection	II2G Ex d IIC
• Dust explosion protection	II1D Ex t IIIC
Certificates	IECEX TUN 13.0022 U TÜV 13 ATEX 121710 U
Material for sealing plug / thread adapter	Stainless steel
Material for seal	Vulcanized fiber or Victor Reinz AFM 30
Ambient temperature range	-40 ... +100 °C (-40 ... +212 °F)
For "Ex d" type of protection:	
Required wall thickness for tappings	10 mm
Torque	
• For thread size M20 x 1.5	65 Nm
• For thread size M25 x 1.5	95 Nm
• For thread size ½-14 NPT	65 Nm
Width A/F for thread size M20 x 1.5	27
Width A/F for thread size M25 x 1.5	30
Key size for thread size ½-14 NPT	10

D.4 Dimensional drawings for accessory part



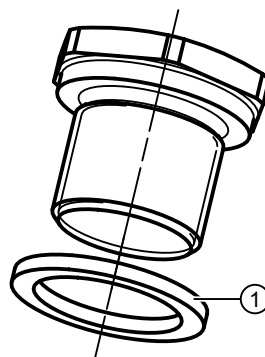
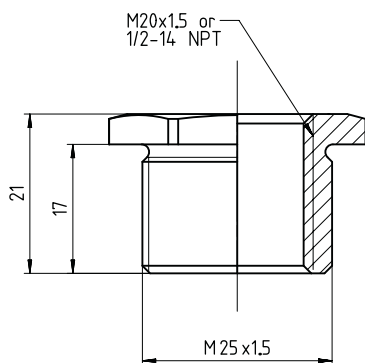
Sealing plug Ex d, M20 x 1.5, dimensions in mm



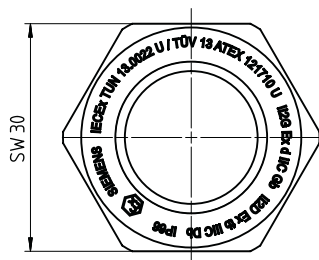
Sealing plug Ex d, M25 x 1.5, dimensions in mm

Sealing plug / thread adapter

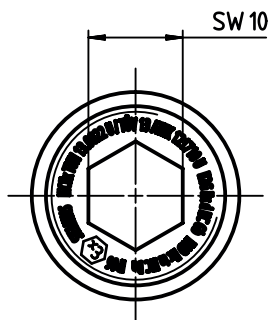
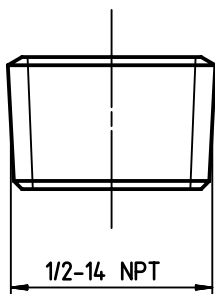
D.4 Dimensional drawings for accessory part



① Sealing ring: Use for dust protection "Ex t" type of protection.



Thread adapter Ex d, M25 x 1.5 on M20 x 1.5 and M25 x 1.5 on 1/2-14 NPT, dimensions in mm



Sealing plug Ex d 1/2 -14 NPT

 **CAUTION**

Increased sound pressure level

Changes to the sound absorber of the positioner or the mounting of pneumatic components or pneumatic options on the positioner can cause a sound pressure with a level of 80 dBA to be exceeded.

- Wear suitable hearing protection to protect yourself against hearing damage.

E.1 Booster introduction

In order to shorten the travel times, use a booster between the positioner and actuator.

Note

Positioner with booster, double-acting

If the supply pressure PZ fails, the booster changes the failure behavior of the positioner. The position of the valve is random.

The booster has no effect in the event of an electrical power failure.

E.2 Mounting a booster

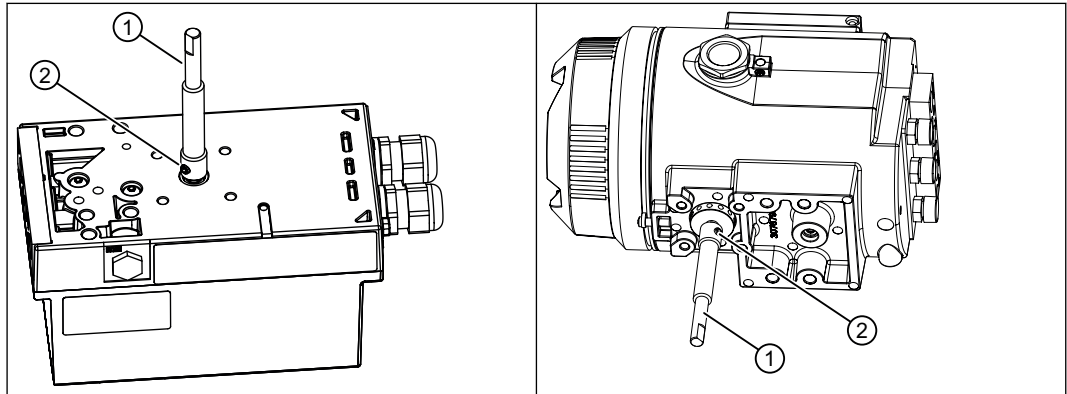
Requirement

1. You are familiar with the safety instructions in section "Installing and mounting (Page 37)".
2. You have one of the following boosters:
 - With single-acting positioners, booster with the article numbers 6DR4004-1RJ, -1RK, -1RP or -1RQ
 - With double-acting positioners, booster with the article numbers 6DR4004-2RJ, -2RK, -2RP or -2RQ

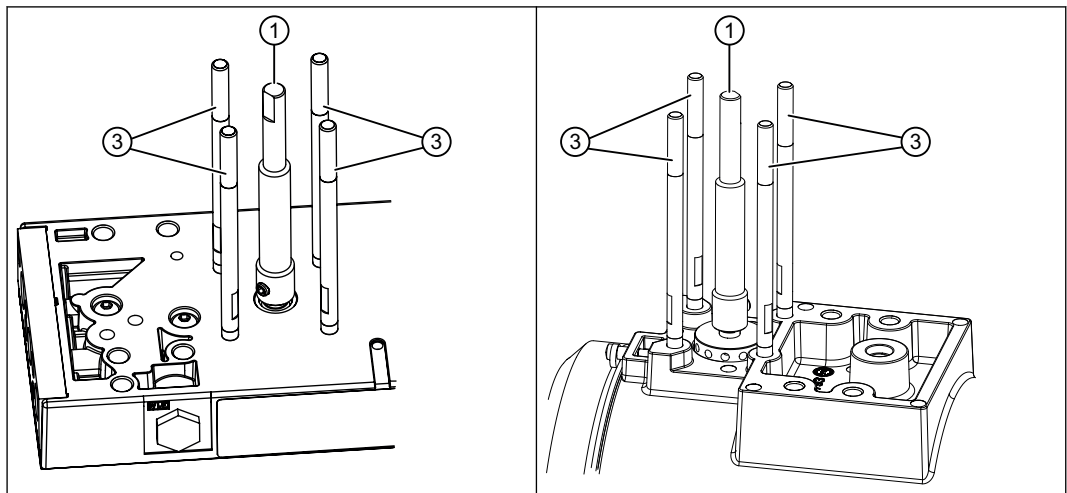
A. Mount extension shaft and booster

Using the example of a single-acting positioner. The figure on the right shows the devices in a flameproof enclosure.

1. Plug the extension shaft ① onto the shaft of the positioner.
2. Tighten the locking screw ② at the flat end of the positioner shaft.

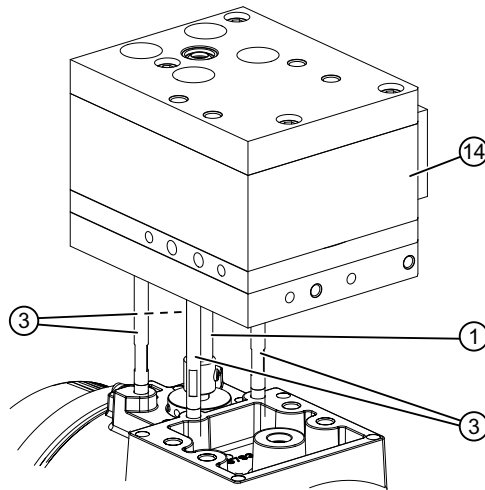


3. Check that the extension shaft ① sits properly.
4. Turn the short threaded end of the threaded bolts ③ into the positioner up to the endstop.

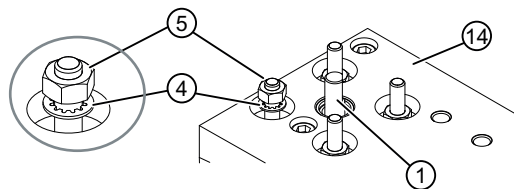


5. Tighten the threaded bolts ③ lightly using an open-ended wrench.

6. Insert the booster ⑭ via the threaded bolts ③.

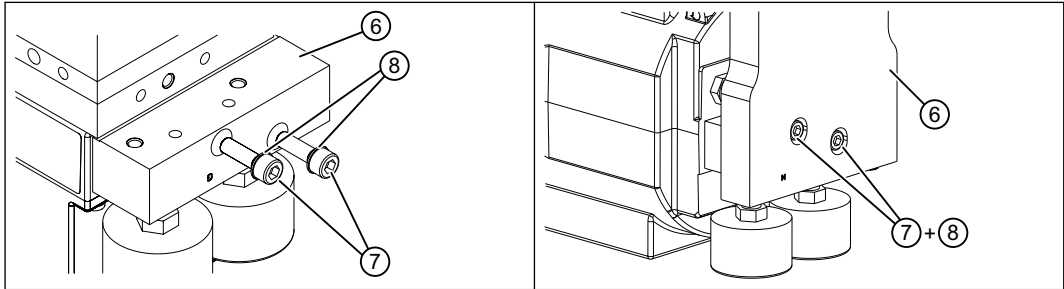


7. Fasten the booster ⑭ with the lock washers ④ and nuts ⑤. When tightening, make sure that the shaft ① can be turned easily.

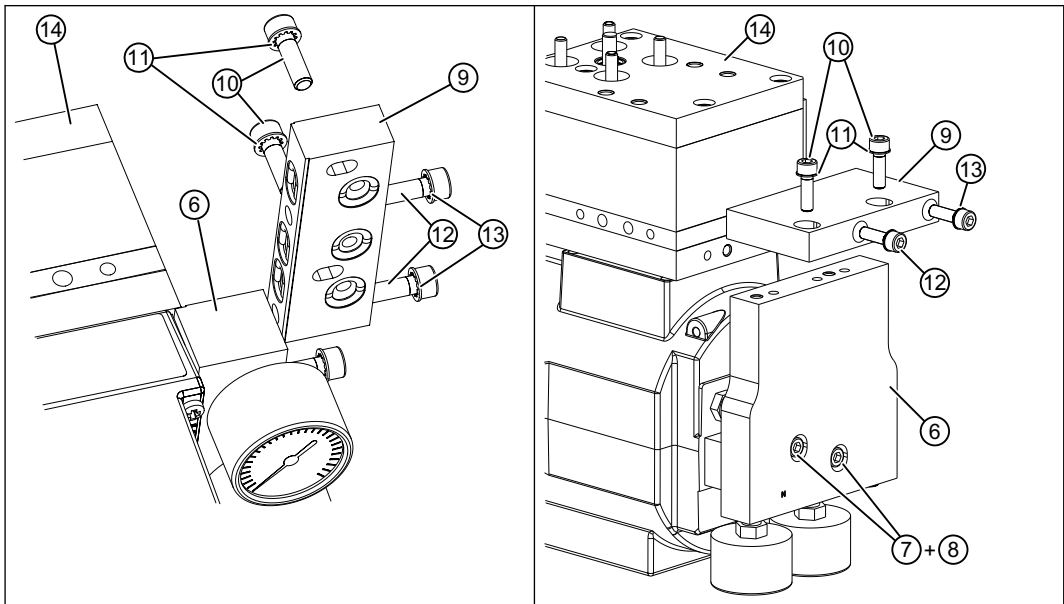


B. Mounting the pressure gauge and connection block

1. Check whether the O-rings are in the pressure gauge block. There are two O-rings in the single-acting version. There are three O-rings in the double-acting version.
2. Fasten the **pressure gauge block** ⑥ with the screws ⑦ and lock washers ⑧. Position the screws, do **not** tighten them.

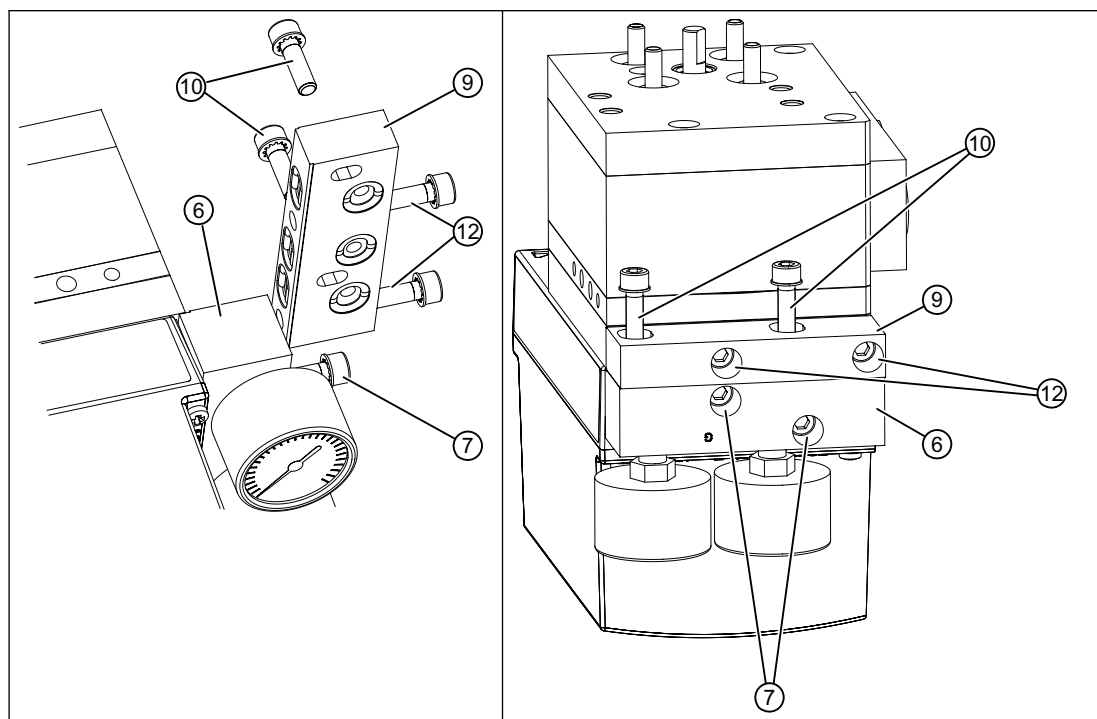


3. Fasten the connection block ⑨ with the screws ⑩, ⑫ and lock washers ⑪, ⑬. Position the screws, do **not** tighten them.



C. Tightening screws

Tighten the screws in the following order.



1. Screws ⑦ which are used to fasten the pressure gauge block ⑥ to the positioner
2. Screws ⑫ which are used to fasten the connection block ⑨ to the booster
3. Screws ⑩ which are used to fasten the connection block ⑨ to the pressure gauge block ⑥
4. Mount the positioner on the actuator as described in:
 - Mounting to linear actuator (Page 40)
 - Mounting to part-turn actuator (Page 45)
5. Use the existing interfaces on the booster.

E.3 Booster commissioning

Requirement

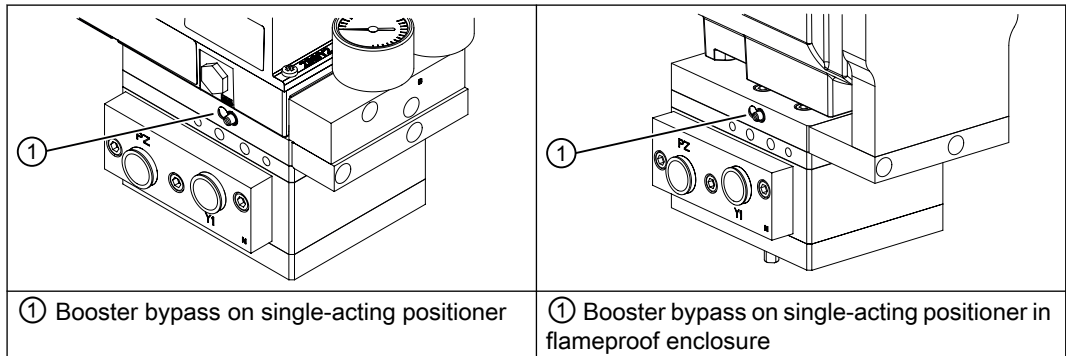
1. You operate the positioner with a booster.
2. '51.PNEUM' Pneumatics type (Page 160) parameter is set to 'booSt'.

Procedure for commissioning the booster

1. Check whether the restrictor(s) on the positioner are completely open. With a new positioner, the restrictors are factory-set to open. The position of the restrictors is shown in the figure in section Device components (Page 28).
2. Set '34.DEBA' Deadband of closed-loop controller (Page 150) to the largest value permissible for your process. The largest value is usually 0.5.
3. Start the automatic initialization process as described under Commissioning (Page 105).
4. With RUN 3, the initialization is stopped for five seconds. During these five seconds, start the function for setting the booster using the Δ button.
A cycle is started which continuously determines the overshoots. The values 'oSUP' and 'oSdo' are shown alternately in the display. 'oSUP' and 'oSdo' represent the values of the overshoot in % of the total stroke.



5. During the automatic initialization, adjust the booster bypass using the adjustment screw on the booster. For single-acting actuators, there is one adjustment screw; there are two adjustment screws for double-acting actuators.



If 'oCAY' is shown on the display, the overshoot is less than 3%.



6. Press the Δ or ∇ button. The positioner again runs through the initialization step RUN 3, starting with determination of the travel times. The following figure schematically shows the RUN 3 sequence for the booster.
7. 'FINISH' is shown on the display when the initialization has been completed.

If the process value on the display does not remain stable or if a constant manipulated variable cannot be achieved for a constant setpoint, further optimization of the controller data is necessary. This is described in section Optimization of controller data (Page 101).

See also

Sequence of automatic initialization (Page 109)

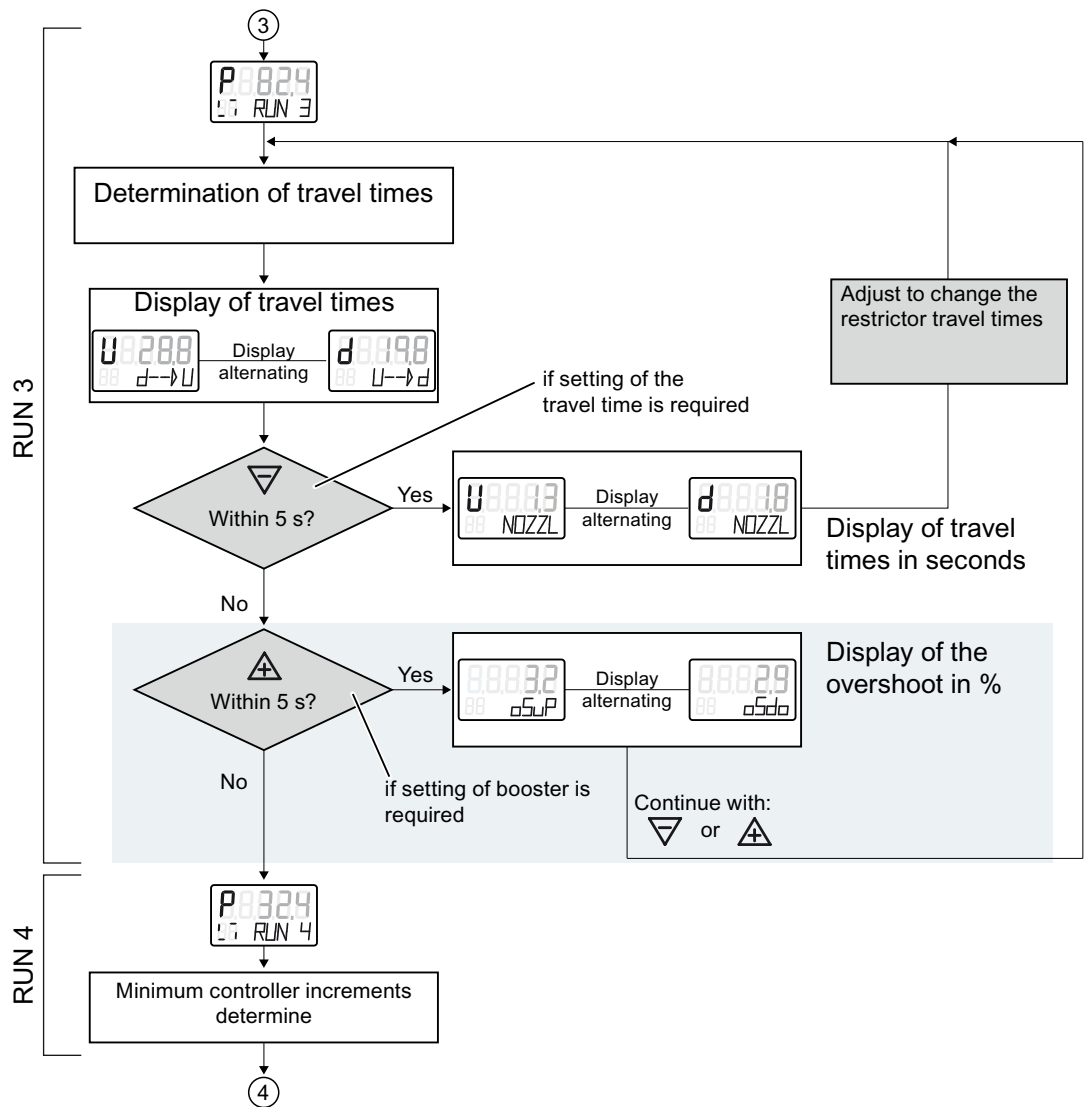


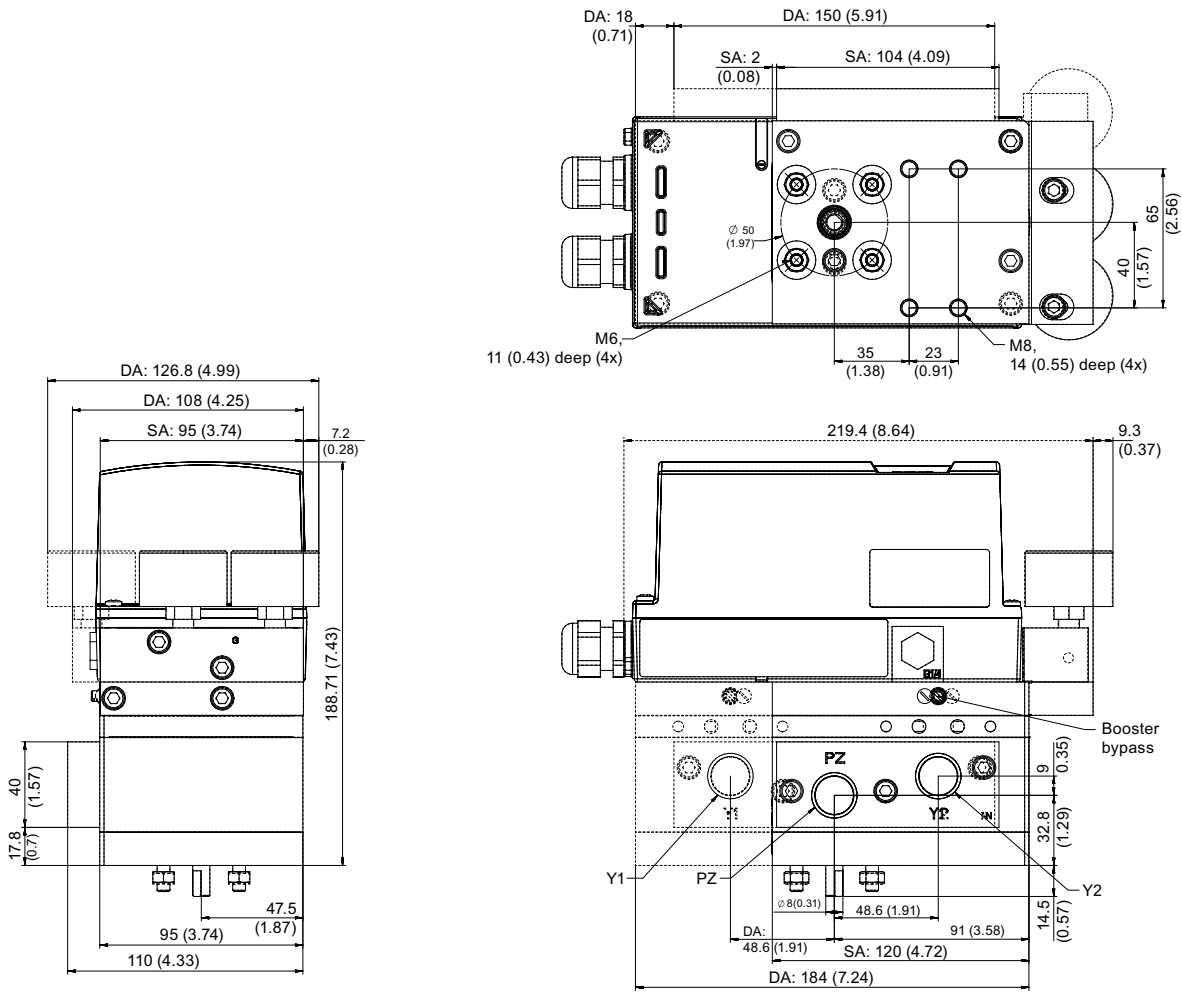
Figure E-1 RUN 3 and 4 (booster)

See also

Commissioning (Page 105)

E.4 Booster dimension drawings

E.4.1 For positioners in non-flameproof enclosure



SA Single-acting

DA Double-acting

Figure E-2 Dimension drawings booster mounted on positioner, dimensions in mm (inch)

E.4.2 For positioners in flameproof enclosure

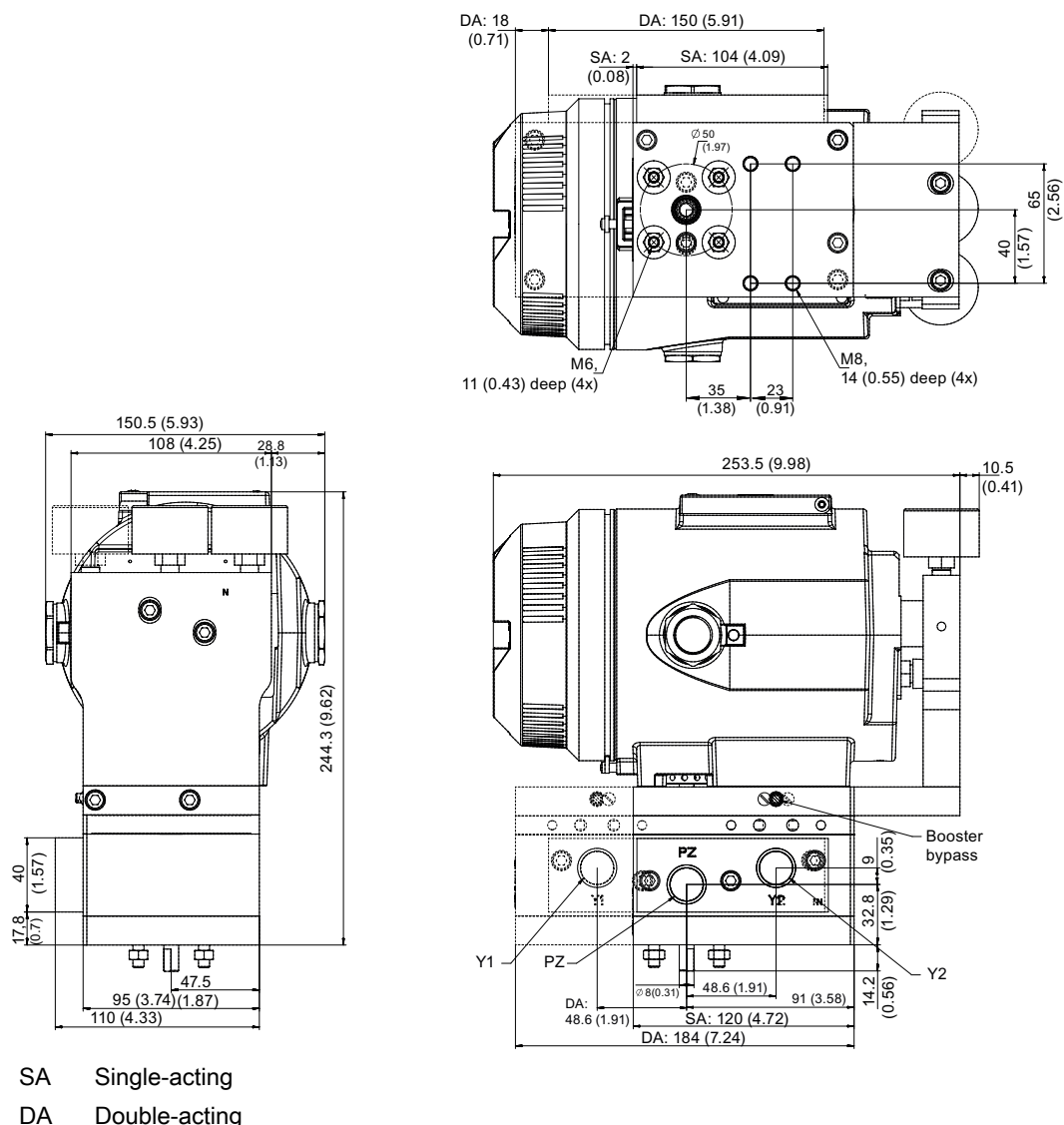


Figure E-3 Dimension drawings booster mounted on positioner in a flameproof enclosure, dimensions in mm (inch)

E.5 Technical specifications of booster

Booster	
Weight booster, single-acting	
• BOOSTER KIT for 6DR5.10 and 6DR5.13	2.9 kg (6.5 lb)
• BOOSTER KIT for 6DR5.15	3.3 kg (7.3 lb)
Weight booster, double-acting	

Booster

E.5 Technical specifications of booster

Booster	
• BOOSTER KIT for 6DR5.20 and 6DR5.23	4.3 kg (9.4 lb)
• BOOSTER KIT for 6DR5.25	4.7 kg (10.4 lb)
Connections, pneumatic	1/2-14 NPT or G½
Air consumption	1.2 x 10 ⁻² Nm ³ /h
Pressure gauge	Made of steel IP44. Scaling MPa, bar, psi
Flow capacity	Cv 2.0

Positioner with remote control electronics

F.1 Introduction to remote control electronics

In some cases it is advisable to use the positioner separately from the control electronics. The option of separating the control electronics of the positioner is available for this purpose. The positioner is in a different location than the control electronics. This remote control electronics of the positioner allows the valves to be controlled in radiation contaminated environment, as all highly integrated electronic components are located in the area that is protected from radiation. Highly integrated electronic components are, for example, memory blocks and microprocessor blocks.

For the above described deployment you required the two following components:

- Component 1 consisting of the control electronics in the form of a 19" slide-in module. The 19" slide-in module is installed in the control cabinet. Available in the following variants:
 - Slide-in module as 4 to 20 mA with 2-wire connection, article number A5E00151560
- Component 2 consisting of the positioner without control electronics. The positioner with control electronics is mounted on the valve.
 - Positioner without control electronics with Position Transmitter and pneumatic unit, mounted on the valve, article number 6DR5910-0NG00-0AA0.
Positioner without basic electronics 6DR5910 (Page 318)

Components 1 and 2 are connected electrically to each other. The components are described below.

F.2 19" slide-in module

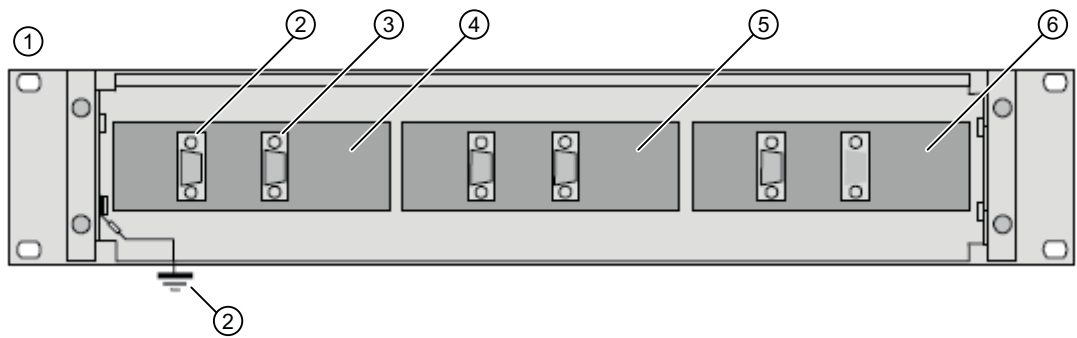
F.2.1 Description of 19" slide-in module 4 to 20 mA

Description

This component is a control electronics in the 19" slide-in module in 4 to 20 mA version. Commissioning is only possible in conjunction with a positioner component 6DR5910. The 19" slide-in module has three channels and controls up to three valves.

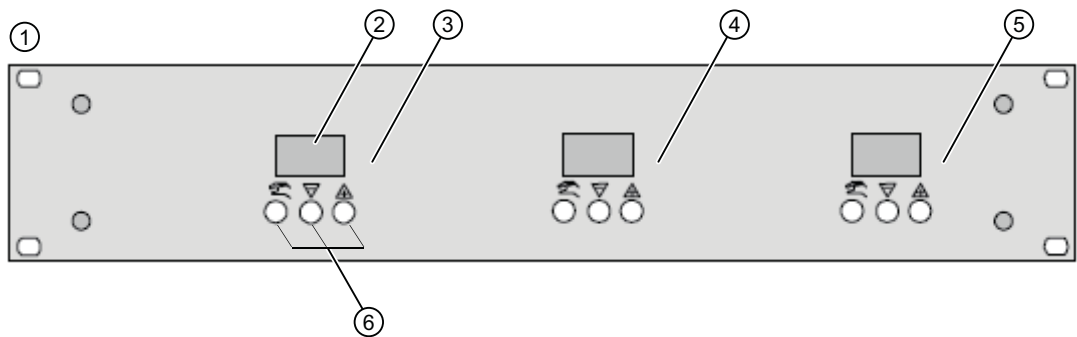
The control electronics supplies the current position of the valve in the form of a current of 4 to 20 mA, which corresponds to the position feedback.

F.2 19" slide-in module



- ① 19" slide-in module 4 to 20 mA
- ② Sub-D 15-pin socket connector for cable to the valve
- ③ Sub-D male connector 9-pin for cable to the control system
- ④ Channel 3
- ⑤ Channel 2
- ⑥ Channel 1

Figure F-1 Device view of 19" slide-in module 4 to 20 mA, rear view



- ① 19" slide-in module 4 to 20 mA
- ② Display
- ③ Channel 1
- ④ Channel 2
- ⑤ Channel 3
- ⑥ Input keys

Figure F-2 Device view of 19" slide-in module 4 to 20 mA, front view

F.2.2 Connecting the 19" slide-in module 4 to 20 mA

F.2.2.1 Grounding concept of 19" slide-in module 4 to 20 mA

NOTICE

Interference

To dissipate interference pulses the positioner components must be connected to an equipotential bonding cable (ground potential) using a low resistance.

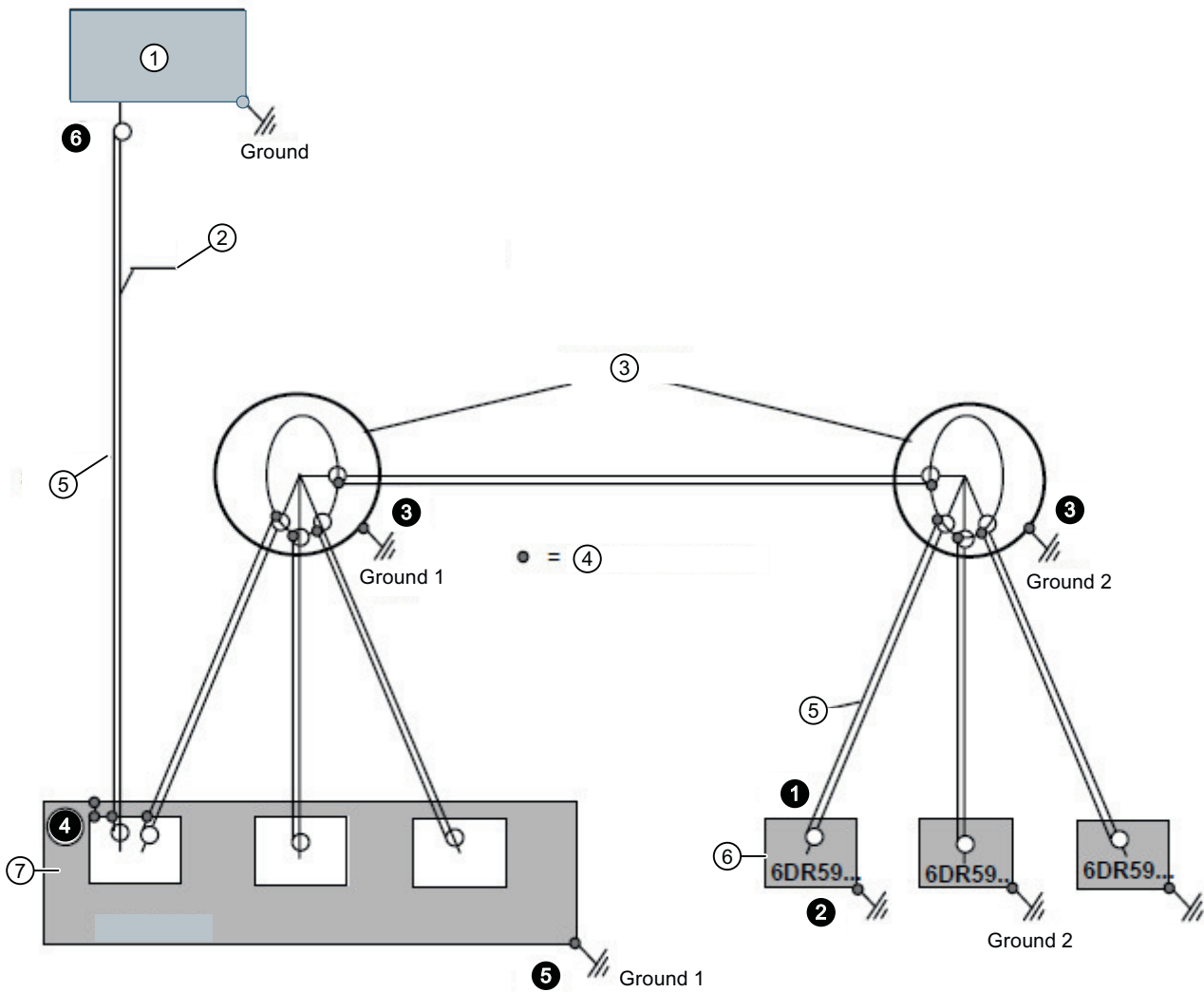
- Connect the positioner 6DR5910 according to the grounding concept described below.

Note

Properties of the cable

To avoid interference, the cable between 19" slide-in module, positioners 6DR59.. and field distributors should have the following signal pairs (twisted pair):

- Discharge - / Discharge +
- Supply - / Supply +
- GND / POS
- V_REF GND



- | | |
|-------------------------------------|-----------------------|
| ① Control system | ⑤ Shield |
| ② 3 x 1 cable to the control system | ⑥ Positioner 6DR5910 |
| ③ Field distributor | ⑦ 19" slide-in module |
| ④ Connection point | |
| Ground | |

Figure F-3 Grounding concept of 19" slide-in module 4 to 20 mA version

Notes on the individual connection points:

- ① The cable shield is not connected to the positioner 6DR5910.
- ② The positioner 6DR5910 is connected via the mechanical assembly to Ground 2 , see Installing/mounting (Page 37). Section Basic safety instructions (Page 75) describes how to ground the enclosure.
- ③ Each field distributor is grounded. The cable shields in the field distributor are not grounded. The cable shields are interconnected.
- ④ The cable shields on the 19" slide-in module are connected to the field distributor.
- ⑤ The 19" slide-in module is connected to Ground 1.
- ⑥ The cable shields on the control system are not connected to ground.

F.2.2.2 Electrical connection of 19" slide-in module 4 to 20 mA

Requirement

You have read sections Connection (Page 75) and Grounding concept of 19" slide-in module 4 to 20 mA (Page 312).

Connecting

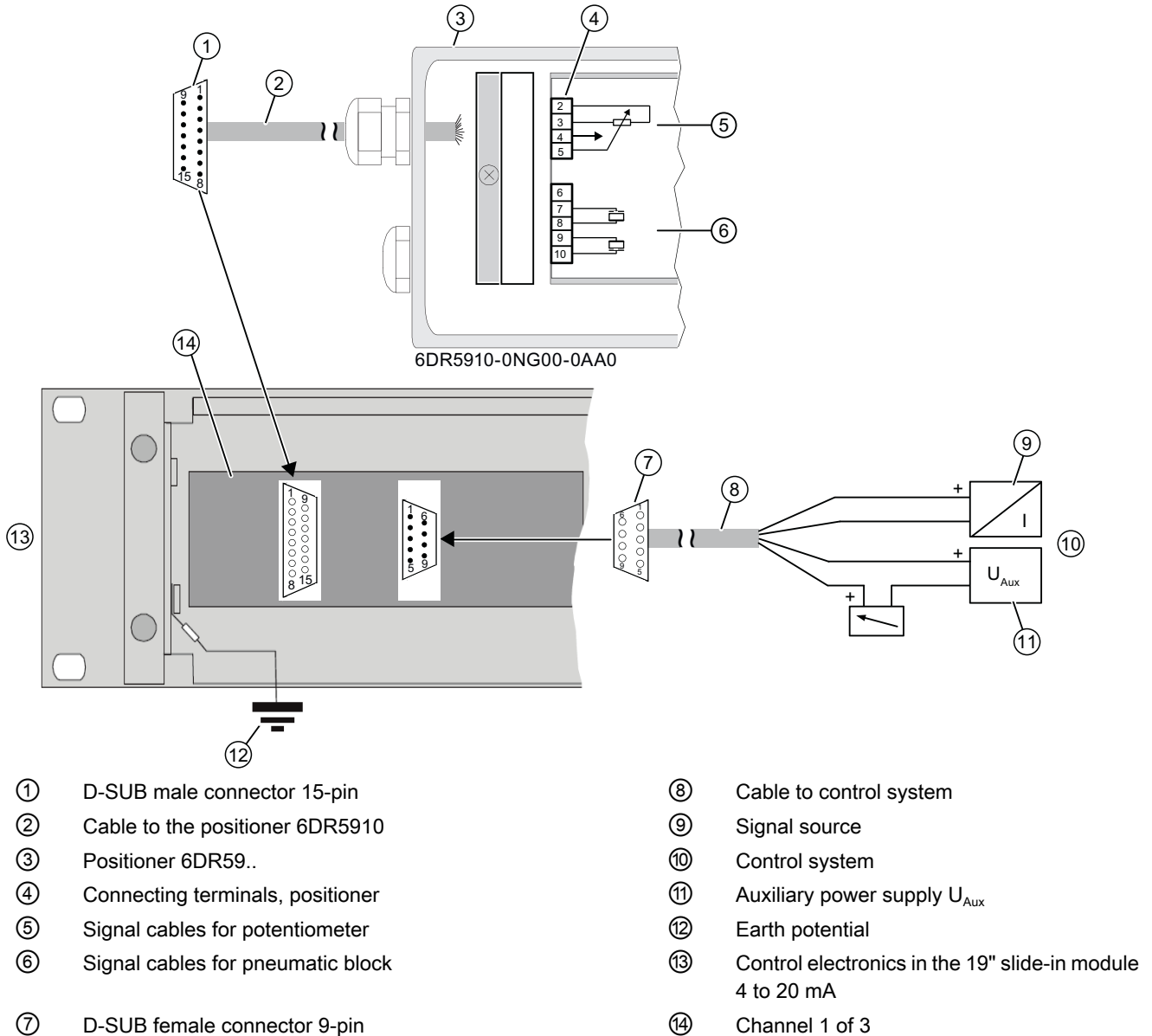


Figure F-4 Connecting basic electronics to power supply

Procedure

Observe the safety instructions for connection in section Basic safety instructions (Page 75).

1. Strip 5 mm of the cable shield on the cable ②.
2. Open the positioner 6DR5910. Unscrew the four fixing screws of the enclosure cover.
3. Insert the prepared cable ② through the cable entry of the positioner.
4. Tighten the cable entry.

F.2 19" slide-in module

- Connect the wires of the cable ② to the connecting terminals ④ and to the SUB-D male connector ① according to the following table:

Connecting terminals ④ / ⑤	Assignment	Assignment, male connector ①	Connecting terminals ④ / ⑥	Assignment	Assignment, male connector ①
2	GND	7	6	Not assigned	-
3	Vref	6	7	Discharge +	2
4	Vcc	-	8	Discharge -	1
5	Vpos	4	9	Supply +	15
			10	Supply -	14

- Connect the positioner 6DR5910 ③ with the 19" slide-in module ⑬ using the SUB-D male connector ①.
- Connect the wires of the cable ⑧ to the signal source ⑨ and the power source ⑪ as well as the SUB-D female connector ⑦ according to the following table:

Assignment of female connector ⑦ for ⑨		Assignment of female connector ⑦ for ⑪	
1	Signal source +	6	-
2	Signal source -	7	-
3	-	8	U _{Aux+}
4	-	9	U _{Aux-}
5	-		

- Connect the 19" slide-in module ⑬ with the control system ⑩ using the SUB-D female connector ⑦.

F.2.3 Technical specifications of 19" slide-in module 4 to 20 mA

You can find the valid technical specifications for the positioner Technical data (Page 239). The technical specifications valid for the 19" slide-in module 4 to 20 mA are set out below.

Rated conditions	
Degree of protection	
• Front	IP40 acc. to DIN EN 60529
• Back page	IP20 acc. to DIN EN 60529
Mounting position	
	Any
Vibration resistance	
• Harmonic oscillations (sine wave) according to DIN EN 60082-2-6/05.96	3.5 mm (0.14"), 5 ... 8.4 Hz, 4 cycles/axle 10 m/s ² (33 ft/s ²), 8.4 ... 500 Hz, 4 cycles/axle
• Oscillations (sinusoidal) according to DIN EN 60068-2-6/04.96	KWU DD 7080.9/93 KTA 3503 from 11.86
• Shock (half-sine) according to DIN EN 60068-2-27/02.2010	150 m/s ² (492 ft/s ²), 11 ms, 6 shocks/axle

Construction	
Weight	Approx. 1.8 kg
Material body	19" slide-in module, 2HM, aluminum
Number of channels, basic electronics:	3
Climate class	According to IEC/EN 60721-3
• Storage	-25°C to 80°C, 75% at 25°C, without condensation
• Transport	-25°C to 80°C, 75% at 25°C, without condensation
• Operation	0°C to 50°C, 75% at 25°C, without condensation

Electrical data	
Electrical connection	9-pin Sub-D plug 15-pin Sub-D female connector
Current input I_w	
• Rated signal range	4 to 20 mA
• Current to maintain the auxiliary power	≥ 3.6 mA
2-wire connection	
• Current to maintain the auxiliary power	≥ 3.6 mA
• Required load voltage U_B (corresponds to Ω at 20 mA)	6.4 V (= 320 Ω)
• Static destruction limit	± 40 mA

Technical specifications for the controller unit is available at Controller (Page 242).
 Technical specifications of the Analog Output Module (AOM) are available at Analog Output Module (AOM) 6DR4004-6J / -8J (Page 251).

Cable data (minimum requirements)	
Cable length	≤ 130 m
Capacity wire / wire	≤ 150 nF/km
Capacity wire / shield	≤ 200 nF/km
Inductance	≤ 1 mH/km
Copper resistance	≤ 100 Ω /km
Insulation conductance	$\geq 0.5 \times 10^7$ S/km
Ambient temperature	-30 ... +80 °C
Number of poles	
• Cable to the control system (min/max)	4 or 9
• Cable to the positioner 6DR5910	8 or 15
Connection	
• Cable to the control system (min/max)	9-pin Sub-D female connector
• Cable to the positioner 6DR5910	15-pin Sub-D male connector

Installing/mounting

Mounting of this positioner without basic electronics corresponds to the mounting of the positioner in non-flameproof enclosure. Proceed as described in Section "Installing/mounting (Page 37)".

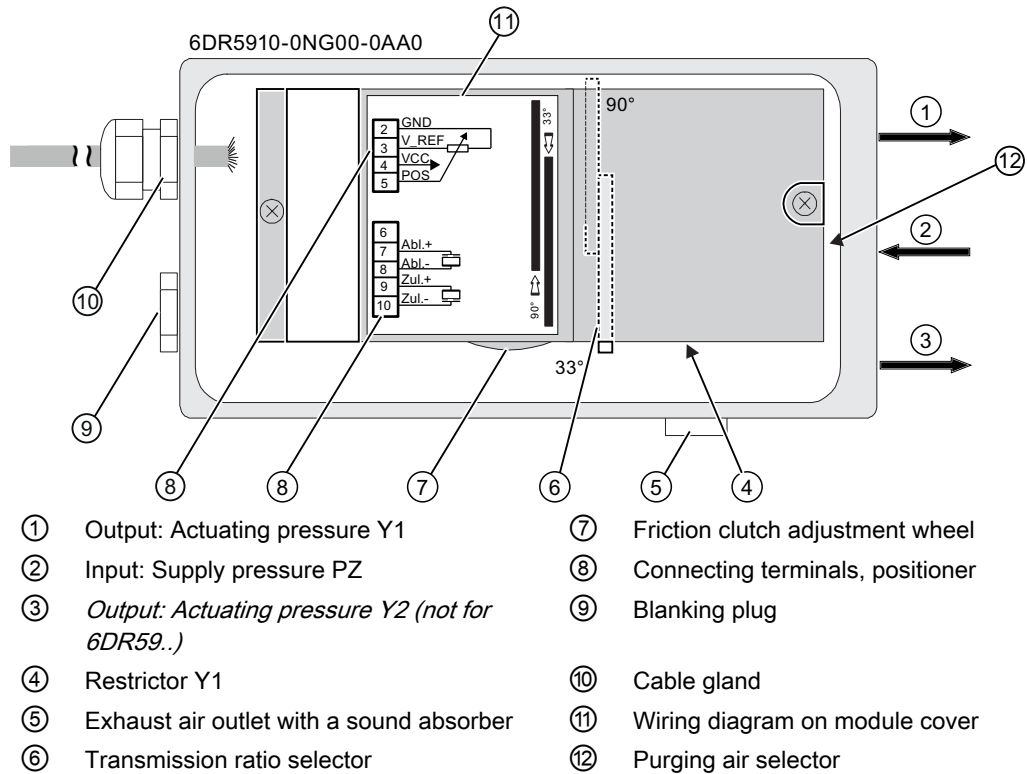
Connecting

Connect the positioner as described in Section "Positioner without basic electronics 6DR5910 (Page 318)". Please also observe Basic safety instructions (Page 75) for connection.

Commissioning

Commission the positioner as described in Section "Commissioning (Page 105)".

Device view of positioner 6DR5910



Abbreviations

G.1 Abbreviations for positioners

Abbreviation	Long form	Meaning
A/D	Analog-to-digital converter	-
AC	Alternating current	Alternating current
AI	Analog Input	-
AMS	Asset Management Solutions	Communication software from Emerson Process comparable with SIMATIC PDM
AO	Analog Output	-
AUT	Automatic	Operating mode
ATEX	Atmosphère explosible	Product and operation directive of European Commission for explosion protection.
CENELEC	Comité Européen de Normalisation Electrotechnique	Standards organization, responsible for European standardization in the field of electrical engineering.
CPU	Central Processing Unit	Master processor
CSA	Canadian Standard Association	Canadian standards organization
DC	Direct current	Direct current
DI	Digital Input	-
DIN	Deutsche Industrie Norm	-
DO	Digital Output	-
DTM	Device Type Manager	-
EDD	Electronic Device Description	-
Ex	Explosion protection	-
EMC	Electromagnetic compatibility	-
FDT	Field Device Tool	-
FF	FOUNDATION Fieldbus	Fieldbus of the Fieldbus Foundation
FM	Factory Mutual	American testing agency/insurance company
FW	Firmware	Device-specific software
GSD	Device master data	-
HART®	Highway Addressable Remote Transducer	Communication system for the development of industrial field busses.
IEC	International Electrotechnical Commission	International standards organization for standards in electrical engineering and electronics.
IP	International Protection Ingress Protection	International degrees of protection (long form as per DIN) Seepage protection (long form as used in US)
ISO	International Organization for Standardization	
LC	Liquid Crystal	Liquid crystal
MAN	Manual	Operating mode

Abbreviations

G.2 Abbreviations for functional safety

Abbreviation	Long form	Meaning
NAMUR	Standards working group for measurement and control technology in the chemicals industry	Association of users in process conductor technology
µC	Microcontroller	One-Chip computer system
NCS	Non-Contacting Sensor	Sensor for non-contacting position detection
NEMA	National Electrical Manufacturers Association	US standards institution National Electrical Manufacturers Association
NPT	National Pipe Thread Taper	Pipe threading for self-sealing threads as per ANSI B.1.20.1
OPOS interface®	Open Positioner Interface	Standard interface for the connection between a positioner and a pneumatic linear or part-turn actuator
PA	Process Automation	Process automation
PDM	Process Device Manager	Siemens communication software / Engineering tool
PROFIBUS	Process Field Bus	Fieldbus
RSS feed	Rich Site Summary Feed	Shows changes in regular intervals to web sites you are subscribed to.
VDE	Verband der Elektrotechnik, Elektronik und Informationstechnik e. V.	Industrial and professional association
VDI	Verein Deutscher Ingenieure e. V.	Technical/scientific association

G.2 Abbreviations for functional safety

Abbreviation	Full term in English	Meaning
FIT	Failure in Time	Frequency of failure Number of faults within 10 ⁹ hours
HFT	Hardware Fault Tolerance	Hardware fault tolerance: Capability of a function unit to continue executing a required function in the presence of faults or deviations.
MooN	"M out of N" voting	Classification and description of the safety-instrumented system in terms of redundancy and the selection procedures used. A safety-instrumented system or part that consists of "N" independent channels. The channels are connected to each other in such a way that "M" channels are in each case sufficient for the device to perform the safety instrumented function. Example: Pressure measurement: 1oo2 architecture. A safety-instrumented system decides that a specified pressure limit has been exceeded if one out of two pressure sensors reaches this limit. In a 1oo1 architecture, there is only one pressure sensor.
MTBF	Mean Time Between Failures	Average period between two failures
MTTR	Mean Time To Restoration	Average period between the occurrence of a fault in a device or system and restoration of functionality
PFD	Probability of Dangerous Failure on Demand	Probability of dangerous failures of a safety function on demand
PFD _{AVG}	Average Probability of Dangerous Failure on Demand	Average probability of dangerous failures of a safety function on demand

Abbreviation	Full term in English	Meaning
SFF	Safe Failure Fraction	Proportion of safe failures: Proportion of failures without the potential to bring the safety-instrumented system into a dangerous or non-permissible functional status.
SIL	Safety Integrity Level	The international standard IEC 61508 defines four discrete Safety Integrity Levels (SIL 1 to SIL 4). Each level corresponds to a range of probability for failure of a safety function. The higher the Safety Integrity Level of the safety-instrumented system, the lower the probability that it will not execute the required safety functions.
SIS	Safety Instrumented System	A safety-instrumented system (SIS) executes the safety functions that are required to achieve or maintain a safe status in a system. It consists of sensors, logic unit/control system and final controlling elements.

Glossary

Actuator

Converter that converts electric signals into mechanical or other non-electric variables.

Actuator chamber

For pneumatic actuators which consist of two pressure chambers in double-acting versions and of a pressure chamber and a spring chamber in single-acting versions.

Analog

A signal type which represents data using continuously varying, measurable and physical quantities, e.g. current or voltage. Opposite to digital. The range between 4 and 20 mA is often used to transfer analog signals.

Analog-to-digital converter

An analog-to-digital converter is an interface between the analog environment and the digitally working computers. Only then can the computers be used for measurement and control tasks.

Analog-to-digital converters convert analog input signals to digital signals. Analog measurement data is thus converted into digital information. On the other hand, a digital-to-analog converter converts digital information into analog signals.

Asset Management Solution (AMS)

Software package by Emerson Process. The AMS Device Manager, which is somewhat similar to the PDM, is the most significant part of the package.

ATEX

ATEX is the abbreviation of the French term "Atmosphère explosible". ATEX stands for the two directives of the European Community in the field of explosion protection: the ATEX product directive 2014/34/EU and the ATEX operation directive 1999/92/EC.

Auxiliary voltage

Auxiliary voltage is an electric supply or reference voltage that is required by some electric circuits in addition to the standard supply. The auxiliary voltage can, for example, be specially stabilized, have a particular level or polarity and/or other properties which are important for the correct functioning of switch components. Auxiliary voltage is used, for example, with four-wire systems.

Chamber

A largely or completely enclosed cavity in a machine or apparatus.

Conduit piping system

A piping system for the American market, wherein the electric and pneumatic lines are protected by a casing.

Configuring

See parameter assignment.

Control fitting

A valve consisting of an actuator + control valve + positioner.

Decrement

From the Latin word decrementare, decrease. Decrement is the defined amount of change when decreasing a variable gradually. IT term that refers to a step-by-step decrease in a numeric value.→Increment.

Degree of protection

The degree of protection of a device indicates the extent of protection. The extent of protection includes the safety of persons against coming in contact with live or rotating parts, and the protection of electric resources against the penetration of water, foreign bodies and dust. The degrees of protection of electric machines are indicated by an abbreviation comprising two letters and two numbers (e.g. IP55). The degree of protection is coded using the IP code. The degrees of protection are standardized in DIN EN 60529.

Device category 1

Category 1 devices must be procured such that they ensure an extremely high degree of safety. Devices in this category must ensure an extremely high degree of safety even for faults that occur rarely. Even if two faults occur in the device, it should not lead to ignition. Devices in this category are suitable for use in zone 0 or 20.

Device category 2

Category 2 devices must be procured such that they ensure a high degree of safety. Devices in this category must ensure the required degree of safety in case of frequent faults or ones that can be normally expected, e.g. defects in the device, and avoid ignition sources. Devices in this category are suitable for use in zone 1 or 21.

Device category 3

Category 3 devices must be procured such that they ensure a normal degree of safety. Devices in this category must ensure the required degree of safety in case of frequent faults or ones that can be normally expected, e.g. defects in the device, and avoid ignition sources. Devices in this category are suitable for use in zone 2 or 22.

Digital

Representation of a variable in the form of characters or numbers. The functional course of an originally changeable analog variable is simulated in predefined stages. Predefined values are assigned to these stages. Opposite to "analog".

EEPROM

EEPROM (Electrically Erasable Programmable Read-Only Memory; literally: elektrisch löschbarer, programmierbarer Nur-Lese-Speicher in German) is a non-volatile electronic memory. EEPROMs are often used when individual data bytes change over long time periods and need to be saved in a manner protected against power failure, e.g. configuration data or operating hours counters.

Electromagnetic compatibility

Definition as per the EMC law: EMC is the capability of a device to operate satisfactorily in an electromagnetic environment without itself emitting electromagnetic signals which interfere with other devices in that environment.

Ex d

"Flameproof enclosure" type of protection. When the potentially explosive mixtures enter the enclosure of a resource and an ignition source exists in the enclosure. The transfer of the explosion inside the enclosure to the surrounding space must be ruled out.

- d: flameproof enclosure

Ex ia / Ex ib / Ex ic

If potentially explosive mixtures enter the enclosure of a resource, it should not lead to ignition. Demarcation of energy and increased temperatures.

Ex n

Equipment containing energy-limiting, non-sparking contacts as well as circuits whose contacts are supplied with limited energy.

Ex t

Dust ignition protection with "t" enclosure. Dust ignition protection where the electric equipment has an enclosure providing protection against dust ingress and a measure for limiting the surface temperature.

Factory Mutual

Industrial property insurer and certification agency in the USA. FM Global is one of the largest industrial insurers in the world who are specialized in the field of technically-supported property insurance. It offers services like product research, testing and certification.

Firmware

Firmware (FW) is software that is embedded on a chip in electronic devices – in contrast to software which is saved on hard disks, CD-ROMs or other media. These days, firmware is mostly stored in a flash memory or an EEPROM. Firmware is software in the hardware, and is thus an intermediate between software and hardware. Firmware is normally model-specific. This means that it does not function on other device models and is delivered by the manufacturing company. The corresponding devices cannot function without the firmware. The firmware mostly contains elementary functions to control the device, as well as input and output routines.

Frequency shift keying

ENGLISH: Frequency shift keying (FSK)

Frequency shift keying is a simple modulation format in which digital values 0 and 1 are represented by two different frequencies.

GSD file

The file that describes the properties of a PROFIBUS DP slave or a PROFINET IO device.

The GSD file is a database file for PROFIBUS devices. The device manufacturer provides the corresponding GSD file containing the description of device properties. The information in the file can be read using Engineering Tools.

HART

HART (Highway Addressable Remote Transducer) is a standardized and widely used communication system for configuring industrial fieldbuses. This communication system enables digital communication of multiple participants (field devices) using a common data bus. HART implements the widely used 4/20 mA standard to transfer analog sensor signals. Existing cables of the old system can be used directly and both systems can be operated simultaneously. HART specifies several protocol levels in the OSI model. HART enables transfer of process and diagnostics information and control signals between field devices and the higher-level control system. Standardized parameter sets can be used for manufacturer-independent operation of all HART devices.

HART communication

HART devices use the 4 to 20 mA lines for data exchange, and communicate with each other using the HART protocol. The process enables bidirectional data exchange even in hazardous environments. With HART communication, digital data from an FSK modem is modulated to the analog 4 to 20 mA signals. As a result, additional information such as measuring and/or device data can be transmitted without influencing the analog signals. The FSK modem required for

this is installed in the field device or HART communicator. In the case of an operator station, the connection is made externally via the serial interface. A point-to-point connection is used between the field and HMI device. In this case, a HART HMI device is connected to exactly one HART field device. However, further devices can be integrated using a multiplexer.

HART communicator

For parameter assignment with the HART Communicator, the connection is made directly to the 2-wire cable. For parameter assignment with a laptop or a PC, a HART modem is connected in between.

Increment

From the Latin word incrementare, increase. Increment is the defined amount of change when increasing a variable gradually. IT term that refers to a step-by-step increase in a numeric value.→Decrement.

Initialization

Setting the most important basic parameters. Requirement for commissioning the positioner.

IP code

The abbreviation IP stands for International Protection as per DIN. In English-speaking countries, IP stands for Ingress Protection.

Microcontroller

Microcontrollers (also μ Controller, μ C, MCU) are single-chip computer systems in which almost all components such as master processor, program memory, working memory and input/output interfaces are included in a single chip.

NAMUR

Standardization association for measurement and control in chemical industries. NAMUR is an association of users of process control technology. The members are mainly companies from German-speaking countries. The association was formed in Leverkusen in 1949.

NEMA

National Electrical Manufacturers Association. NEMA is a standardization institute in the USA. NEMA was formed in 1926 with the merge of Associated Manufacturers of Electrical Supplies and the Electric Power Club.

Parameter assignment

Individual parameter settings are specifically changed to adjust the positioner as per the actuator or other requirements. Parameter assignment is carried out after the complete commissioning of the positioner.

Piezoelectric effect

Name of a physical phenomenon. Due to mechanical compression loads on a crystal, an electric potential develops on specific crystal surfaces. In a reverse case, applying an electric field to specific crystal surfaces leads to crystal deformation.

Potentially explosive atmosphere

Mixture of air, combustible gases, fluff, fibers or dusts.

Pressure chamber

The pneumatic actuators are available in single and double-acting versions. In a single-acting version, only one pressure chamber is pressurized and depressurized. The pressure developed works against a spring. In a double-acting version, two pressure chambers work against each other. Pressurizing the volume of one chamber simultaneously depressurizes the volume of the other.

Process Device Manager

PDM is a Siemens software package for configuration, parameter assignment, commissioning and maintenance of network configurations and field devices. Part of SIMATIC STEP 7. Used for configuration and diagnostics.

Protection level

- ia: Protection level. Electric equipment operating fault-free, and with existence of two countable errors.
- ib: Protection level. Electric equipment operating fault-free, and with existence of one countable error.
- ic: Protection level. Electrical equipment is not able to cause an ignition when operating fault-free.

Protocols

Protocols contain information about data formats, time sequences and error handling when exchanging data between computers.

A protocol is a convention about establishing, monitoring and terminating a connection. Different protocols are required for a data connection. Protocols can be assigned to every layer of the reference model. Transport protocols are used for the lower four layers of the reference model and higher protocols are used for control, data provision and application.

Sensor

Converter that converts mechanical or other non-electric variables into electric signals.

SIMATIC software

Programs for process automation (e.g. PCS 7, WinCC, WinAC, PDM, STEP 7).

Type 4X

according to UL 50E. This standard contains additional requirements relating to the design and performance of enclosures which are to be used indoors and outdoors.

Zone 0

Area in which potentially explosive atmospheres build up often, regularly or over long durations during the normal operation of a device.

Zone 1

Area in which potentially explosive atmospheres build up occasionally during the normal operation of a device.

Zone 2

Area in which a potentially explosive atmosphere normally never builds up or builds up only for a short while during the normal operation of a device.

Zone 20

Zone 20 is an area in which a potentially explosive atmosphere in the form of a cloud of combustible dust in air is present continuously, over a long period, or frequently.

Zone 21

Zone 21 is an area in which a potentially explosive atmosphere in the form of a cloud of combustible dust in air can be occasionally produced during normal operation.

Zone 22

Zone 22 is an area in which a potentially explosive gaseous atmosphere in the form of a cloud of combustible dust in air never develops or develops only for a short while during normal operation.

Index

A

- Accessories, 262
- Actuating pressure
 - Figure, 91
 - Position, 28, 92
- Adapter, 267
- Alarm module
 - see Digital I/O Module (DIO), 83
- Amplifier, (See booster)
- Analog Input Module (AIM)
 - Figure of ribbon cable, 52
 - Installation, 72
 - Retrofitting, 273
 - Scope of delivery, 267
- Analog Output Module
 - Installation, 60
- Analog Output Module (AOM), 84
 - Position, 53, 56
- Article number
 - on the nameplate, 26

B

- Basic electronics
 - Graphic, 29
 - Position, 28, 53, 56
- Blanking plug
 - Position, 28
- Block circuit diagram, 32
- Booster, 301
- Buttons
 - Position, 28

C

- Cable gland, 267
 - Position, 28
 - Technical specifications, 241
- Carrier, 45, 136
- Carrier pin, 120, 122
- Catalog
 - catalog sheets, 269
- Certificates, 19, 269
- characteristics
 - Safety, 195
- Cleaning, 199

- Commissioning
 - Automatically, 119, 125
 - Cancel, 129
 - Interrupting, 119
 - Manual, 121, 127
- Compensation
 - Pneumatic leakage, 140
- Compressed air, 38
- Connecting
 - Inductive Limit Switches (ILS), 84
 - NCS sensor, 281
- Connecting terminals
 - Option modules, 28
- Connection
 - Pneumatic, 91, 117
- Construction
 - Technical specifications, 240, 241, 242
- Control system, 193
- Customer Support, (Refer to Technical support)

D

- Dead angle function, 151
- Diagnostics, 212
 - During ongoing operation, 231
 - Extended, 139, 162
- Digital I/O Module (DIO), 83, 89
 - Installation, 59
 - Position, 52, 53, 56
- Display
 - Position, 28
- Disposal, 206
- Documentation
 - Edition, 14
- Downloads, 269
- Dynamic variables, 189

E

- EMC filter module
 - See Analog Input Module (AIM), 72, 89
- Enclosure, 261
- Exhaust air outlet
 - Position, 28
- Extended diagnostics, 162
 - Parameter, 139
- External position detection system
 - See Position Transmitter, 89

F

- Factory setting
 - Reset to ~, 119, 125
- Fast closing, 153
- Final controlling element, 193
- Five-point controller, 23, 31
- Freezing
 - Exhaust air outlet, 39, 192
- Friction clutch, 23
 - Position, 28, 53
 - Set, 116

G

- Gear
 - switchable, 23
- Gear latch, 50

H

- HART
 - Modem, 34
- HART module, 33
- HART variables, 189
- Hazardous area
 - Laws and directives, 19
 - Qualified personnel, 22
- History, 14
- Hotline, (Refer to Support request)

I

- I/Os
 - Technical specifications, 242
- iNCS
 - Installation, 68
- Inductive Limit Switches (ILS)
 - Connecting, 84
 - Installation, 63
 - Position, 52, 56
- Initialization
 - Automatically, 109
 - Cancel, 129
 - Interrupting, 125
- Installation
 - Analog Output Module, 60
 - Digital I/O Module (DIO), 59
 - Mechanic Limit Switches (MLS), 65, 66

- Insulating cover, 53, 68
- Internal NCS module
 - Commissioning, 118
 - Installation, 49, 68
- ly module, (See Analog Output Module (AOM))

L

- Laws and directives
 - Disassembly, 19
 - Personell, 19
- Leakage
 - Pneumatic, 140
- Leakage test
 - Offline, 217
- Linear actuator
 - Add-on extensions, 23
 - Automatic commissioning, 119
 - Automatic commissioning (flowchart), 109
 - Manual commissioning, 121
 - Pneumatic connection, integrated, 91
 - Single-acting, 24

M

- Maintenance, 197
- Manometer
 - Mounting, 295
 - Technical specifications, 242
- Manuals, 269
- Material
 - Technical specifications, 241
- Mechanic Limit Switches (MLS), 107
 - Installation, 65, 66
 - Position, 52, 56
- Mechanical limit switch module
 - See Mechanic Limit Switches (MLS), 65, 107
 - See Mechanic Limit Switches (MLS), 66
- Mode of operation, 30, 32
- Modifications
 - correct usage, 20
 - improper, 20
- Module cover
 - Position, 52, 56
- Motherboard, (See basic electronics)
- Mounting console
 - Dimensions, 48
- Mounting kit
 - Linear actuator, 40

N

- Nameplate
 - Position, 53, 57
- Natural gas, 249
 - Operation, 107
- NCS
 - Installation, 49
- NCS module
 - Internal, 49
- NCS sensor
 - Connecting to Analog Input Module (AIM), 281

O

- Offline leakage test, 217
- Online diagnostics, 231
- Operation
 - Natural gas, 107
- Option modules, 261
 - Installation, 53
- Order code, 26
- Ordering supplement, 26

P

- Parameters 1 to 5
 - Overview, 135
- Parameters 6 to 51
 - Overview, 136
- Parameters A to P
 - Overview, 140
- Part-turn actuator
 - Automatic commissioning, 125
 - Automatic commissioning (flowchart), 109
 - Double-acting, 24
 - Manual commissioning, 127
 - Mounting, 45
- Pneumatic actuator, 30
- Pneumatic block
 - Position, 52, 56
- Pneumatic connections, 117
- Position feedback module
 - see Analog Output Module (AOM), 56, 84
 - See Analog Output Module (AOM), 53
- Positioner
 - Replacing, 129
- Potentiometer
 - Position, 52, 56

- Pressure gauge block, 24
 - Torque, 242
- Printed circuit board, (See basic electronics)
- Product name, 26
- Purging air selector, 117
 - Position, 28

Q

- Qualified personnel, 22

R

- Reading initialization parameters, 129
- Restrictor
 - Position, 28
- Return procedure, 206
- Ribbon cable
 - Figure, 52, 56

S

- Safety position, 93
- Scope of delivery, 16
 - Analog Input Module (AIM), 267
- Screen
 - Cleaning of-, 198
- Sealing plug
 - Technical specifications, 298
- Service, 270
- Service and support
 - Internet, 270
- Settings, 194
- SIA module
 - See Inductive Limit Switches (ILS), 62, 84
- SIL 2, 193
- Single-channel operation, 193
- Slot initiator, (See Inductive Limit Switches (ILS))
- Sound absorber
 - Position, 28
- Special screw
 - Position, 53
- Supply air PZ, 195
- Supply pressure
 - Position, 28
- Support, 270
- Support request, 270
- System pressure, (See Supply air)

T

- Technical support, 270
 - partner, 270
 - personal contact, 270
- Terminal strip, 117
- Test certificates, 19
- Threaded adapter
 - Technical specifications, 298
- Tight closing, 153
- Tightening torque
 - Technical specifications, (Torque)
- Torque, 241, 298
- Transmission ratio selector, 50
 - Position, 28, 52, 57
- Transmitter, 193

V

- Valve block, (See Valve block)
 - Purging air selector, 117
- Version
 - Technical specifications, 241

W

- Warning label
 - Position, 52, 56
- Warranty, 17
- Weight
 - Technical specifications, 241
- Wiring diagram
 - Position, 28
- Wiring diagram on module cover, 53

Y

- Y1, 195