

# SIEMENS

## SIMATIC

### S7-300 S7-300 Module data

#### Equipment Manual

General technical data	1
Power supply modules	2
Digital modules	3
Principles of analog value processing	4
Principles of analog modules	5
Analog modules	6
Other signal modules	7
Interface modules	8
Parameter sets of signal modules	A
Diagnostics data of signal modules	B
Dimensional drawings	C
Spare parts and accessories for S7-300 modules	D
Directive on handling Electrostatic-Sensitive Devices (ESD)	E
Service & support	F
Safety-relevant symbols	G

Continued

List of abbreviations

H




## **S7-300 S7-300 Module data**

Equipment Manual

## Legal information

### Warning notice system

This manual contains notices you have to observe in order to ensure your personal safety, as well as to prevent damage to property. The notices referring to your personal safety are highlighted in the manual by a safety alert symbol, notices referring only to property damage have no safety alert symbol. These notices shown below are graded according to the degree of danger.

 <b>DANGER</b>
indicates that death or severe personal injury <b>will</b> result if proper precautions are not taken.
 <b>WARNING</b>
indicates that death or severe personal injury <b>may</b> result if proper precautions are not taken.
 <b>CAUTION</b>
indicates that minor personal injury can result if proper precautions are not taken.
<b>NOTICE</b>
indicates that property damage can result if proper precautions are not taken.


If more than one degree of danger is present, the warning notice representing the highest degree of danger will be used. A notice warning of injury to persons with a safety alert symbol may also include a warning relating to property damage.

### Qualified Personnel

The product/system described in this documentation may be operated only by **personnel qualified** for the specific task in accordance with the relevant documentation, in particular its warning notices and safety instructions. Qualified personnel are those who, based on their training and experience, are capable of identifying risks and avoiding potential hazards when working with these products/systems.

### Proper use of Siemens products

Note the following:

 <b>WARNING</b>
Siemens products may only be used for the applications described in the catalog and in the relevant technical documentation. If products and components from other manufacturers are used, these must be recommended or approved by Siemens. Proper transport, storage, installation, assembly, commissioning, operation and maintenance are required to ensure that the products operate safely and without any problems. The permissible ambient conditions must be complied with. The information in the relevant documentation must be observed.

### Trademarks

All names identified by ® are registered trademarks of Siemens AG. The remaining trademarks in this publication may be trademarks whose use by third parties for their own purposes could violate the rights of the owner.

### Disclaimer of Liability

We have reviewed the contents of this publication to ensure consistency with the hardware and software described. Since variance cannot be precluded entirely, we cannot guarantee full consistency. However, the information in this publication is reviewed regularly and any necessary corrections are included in subsequent editions.

# Preface

## Purpose of the manual

The information contained in this manual can be used as a reference to operating, to functions, and to the technical data of the signal modules, power supply modules and interface modules of the S7-300.

Refer to the relevant S7-300 or ET 200M manuals to find out how to assemble and wire the modules for system installation.

## Basic knowledge required

This manual presumes general knowledge in the field of automation engineering.

## Range of validity of this manual

The manual describes the components based on the data valid at the time of its release. SIEMENS reserves the right to include product information for each new module of a later version.

## Changes compared to the previous version

Changes / enhancements compared to the previous version described in this manual: Comments on the previous version of this manual are included in the current edition.

## Position in the overall documentation structure

The following documentation is part of the S7-300 documentation package. You can find this on the Internet (<http://support.automation.siemens.com/WW/view/en/10805159/133300>) and the corresponding entry ID.

Name of the manual	Description
<b>Manual</b> CPU 31xC and CPU 31x, technical data Entry ID: 12996906	Control and display elements, communication, memory concept, cycle and reaction times, technical data
<b>Operating Instructions</b> S7-300, CPU 31xC and CPU 31x: Installation Entry ID: 13008499	Project design, installation, wiring, addressing, commissioning, maintenance and test functions, diagnostics and troubleshooting.



Name of the manual	Description
<b>System Manual</b> PROFINET system description Entry ID: 19292127	Basic description of PROFINET: Network components, data exchange and communication, PROFINET IO, Component-based Automation, application example of PROFINET IO and Component-based Automation.
<b>Programming manual</b> Migration from PROFIBUS DP to PROFINET IO Entry ID: 19289930	Guideline for migration from PROFIBUS DP to PROFINET IO.
<b>Manual</b> <ul style="list-style-type: none"> <li>CPU 31xC: Technological functions Entry ID: 12429336</li> <li>CD containing examples</li> </ul>	Description of the technological functions: positioning, counting, point-to-point coupling, loop control. The CD contains examples of the technological functions.
<b>YOU ARE CURRENTLY READING the Manual</b> S7-300 Automation System: Module Data Entry ID: 8859629	Description of the functions and technical data of signal/ power supply/ interface modules.
<b>Instructions List</b> <ul style="list-style-type: none"> <li>CPU 31xC, CPU 31x, IM151-7 CPU, IM154-8 CPU, BM 147-1 CPU, BM147-2 CPU Entry ID: 13206730</li> <li>CPU 312, CPU 314, CPU 315-2 DP CPU 315-2 PN/DP, CPU 317-2 PN/DP, CPU 319-3 PN/DP as of V3.0 Entry ID: 31977679</li> </ul>	List of the CPU's instruction set and corresponding execution times. List of executable blocks (OBs, SFCs, SFBs) and their execution times.
<b>Getting Started</b> Available anthology of Getting Started manuals: <ul style="list-style-type: none"> <li>S7-300 Getting Started Entry ID: 15390497</li> <li>PROFINET Getting Started Collection Entry ID: 19290251</li> </ul>	Using concrete examples, the Getting Started documentation provides step-by-step instructions focused on commissioning a fully functional application.

Other manuals on S7-300 and ET 200M

Name of the manual	Description
<b>Reference Manual</b> <ul style="list-style-type: none"> <li>CPU Data: CPU 312 IFM - 318-2 DP</li> <li>Entry ID: 8860591</li> </ul>	Control and display elements, communication, memory concept, cycle and reaction times, technical data
<b>Software Installation Manual</b> S7-300 Automation System: Installation: CPU 312 IFM – 318-2 DP Entry ID: 15390415	Project design, installation, wiring, addressing, commissioning, maintenance and test functions, diagnostics and troubleshooting.
<b>Configuration manual</b> ET 200M signal modules for process automation Entry ID: 7215812	Description of integration in process automation, parameter configuration using SIMATIC PDM, digital input modules, digital output modules.

Name of the manual	Description
<b>Manual</b> Distributed I/O Device ET 200M HART analog modules Entry ID: 22063748	Description of configuration and commissioning of HART analog modules.
<b>Manual</b> Distributed I/O Device ET 200M Entry ID: 1142798	Description of configuration, assembly and wiring.
<b>Manual</b> SM 335 - High-speed analog mixed module for SIMATIC S7-300 Entry ID: 1398483	Description of how to use the SM 335 module in a SIMATIC S7-300. Overview of operations, descriptions of functions, and technical data relating to the SM 335.

## Sign posts

The manual contains various features supporting quick access to specific information:

- At the beginning of the manual, you will find a complete table of contents.
- Key terms are explained in the glossary.
- You can use the index to find the key parts of the manual.

## Approvals

See section Standards and approvals [\(Page 15\)](#).

## CE approval

See section Standards and approvals [\(Page 15\)](#).

## RCM (C-Tick) Declaration of conformity for Australia/New Zealand

See section Standards and approvals [\(Page 15\)](#).

## Standards

See section Standards and approvals [\(Page 15\)](#).

## Recycling and disposal

Since the S7-300 components only contain low levels of harmful substances, they are suitable for recycling. For ecologically compatible recycling and disposal of your old device, contact a certificated disposal service for electronic scrap.

## Security information

Siemens provides products and solutions with industrial security functions that support the secure operation of plants, systems, machines and networks.

In order to protect plants, systems, machines and networks against cyber threats, it is necessary to implement – and continuously maintain – a holistic, state-of-the-art industrial security concept. Siemens' products and solutions only form one element of such a concept. Customer is responsible to prevent unauthorized access to its plants, systems, machines and networks. Systems, machines and components should only be connected to the enterprise network or the internet if and to the extent necessary and with appropriate security measures (e.g. use of firewalls and network segmentation) in place.

Additionally, Siemens' guidance on appropriate security measures should be taken into account. For more information about industrial security, please visit <http://www.siemens.com/industrialsecurity>.

Siemens' products and solutions undergo continuous development to make them more secure. Siemens strongly recommends to apply product updates as soon as available and to always use the latest product versions. Use of product versions that are no longer supported, and failure to apply latest updates may increase customer's exposure to cyber threats.

To stay informed about product updates, subscribe to the Siemens Industrial Security RSS Feed under <http://www.siemens.com/industrialsecurity>.

# Table of contents

<b>1</b>	<b>General technical data.....</b>	<b>15</b>
1.1	Standards and approvals.....	15
1.2	Electromagnetic compatibility.....	21
1.3	Shipping and storage conditions for modules and backup batteries.....	23
1.4	Mechanical and climatic environmental conditions for S7-300 operation.....	24
1.5	Specification of dielectric tests, protection class, degree of protection, and rated voltage of S7-300 ....	25
1.6	Rated voltages of S7-300.....	26
1.7	SIPLUS S7-300 Modules.....	26
1.8	Environmental conditions for the operation of SIPLUS S7-300 modules.....	29
<b>2</b>	<b>Power supply modules.....</b>	<b>30</b>
2.1	Power supply module PS 307; 2 A; (6ES7307-1BA01-0AA0).....	30
2.2	Power supply module PS 307; 5 A; (6ES7307-1EA01-0AA0).....	33
2.3	Power supply module PS 307; 10 A; (6ES7307-1KA02-0AA0).....	36
2.4	Power supply module PS 305; 2 A; (6AG1305-1BA80-2AA0).....	39
2.5	Power supply module PS 307; 5 A; (6AG1307-1EA80-2AA0).....	42
<b>3</b>	<b>Digital modules.....</b>	<b>46</b>
3.1	Module overview.....	46
3.1.1	Digital input modules:.....	47
3.1.2	Digital output modules.....	49
3.1.3	Relay output modules.....	50
3.1.4	Digital IO modules.....	51
3.2	Steps in selecting and commissioning the digital module.....	52
3.3	Programming digital modules.....	52
3.4	Diagnostics of digital modules.....	53
3.5	How to protect digital modules from inductive overvoltage.....	54
3.6	Digital input module SM 321; DI 64 x DC 24 V, sinking/sourcing; (6ES7321-1BP00-0AA0) ....	56
3.7	Digital input module SM 321; DI 32 x DC 24 V; (6ES7321-1BL00-0AA0).....	63
3.8	Digital output module SM 321; DI 32 x AC 120 V; (6ES7321-1EL00-0AA0).....	66
3.9	Digital input module SM 321; DI 16 x DC 24 V; (6ES7321-1BH02-0AA0).....	69
3.10	Digital input module SM 321; DI 16 x DC 24 V High Speed; (6ES7321-1BH10-0AA0).....	71
3.11	Digital input module SM 321; DI 16 x 24 VDC; with hardware and diagnostic interrupts .... (6ES7321-7BH01-0AB0)	73
3.11.1	Isochronous mode.....	78

3.11.2	SM 321; DI 16 x DC 24 V - Parameters.....	79
3.11.3	SM 321; DI 16 x DC 24 V - Diagnostics.....	80
3.11.4	SM 321; DI 16 x DC 24 V - Behavior.....	81
3.11.5	SM 321; DI 16 x DC 24 V - Interrupts.....	82
3.12	Digital input module SM 321; DI 16 x DC 24/125 V; with hardware and diagnostic interrupts (6ES7321-7EH00-0AB0) ....	84
3.12.1	Parameters of SM 321; DI 16 x DC 24/125 V.....	88
3.12.2	Diagnostics of SM 321; DI 16 x DC 24/125 V.....	89
3.12.3	Interrupts of SM 321; DI 16 x DC 24/125 V.....	91
3.13	Digital input module SM 321; DI 16 x DC 24 V; source input; (6ES7321-1BH50-0AA0).....	92
3.14	Digital input module SM 321; DI 16 x UC 24/48 V; (6ES7321-1CH00-0AA0).....	94
3.15	Digital input module SM 321; DI 16 x DC 48-125 V; (6ES7321-1CH20-0AA0).....	96
3.16	Digital input module SM 321; DI 16 x AC 120/230 V; (6ES7321-1FH00-0AA0).....	99
3.17	Digital input module SM 321; DI 8 x AC 120/230 V; (6ES7321-1FF01-0AA0).....	101
3.18	Digital input module SM 321; DI 8 x AC 120/230 V ISOL; (6ES7321-1FF10-0AA0).....	103
3.19	Digital output module SM 322; DO 64 x DC 24 V/0.3 A sourcing; (6ES7322-1BP00-0AA0) ....	106
3.20	Digital output module SM 322; DO 64 x DC 24 V/0.3 A Sinking (6ES7322-1BP50-0AA0).....	112
3.21	Digital output module SM 322; DO 32 x DC 24 V/ 0.5 A; (6ES7322-1BL00-0AA0).....	119
3.22	Digital output module SM 322; DO 32 x AC 120/230 V/1 A; (6ES7322-1FL00-0AA0).....	122
3.23	Digital output module SM 322; DO 16 x DC 24 V/ 0.5 A; (6ES7322-1BH01-0AA0).....	125
3.24	Digital output module SM 322; DO 16 x DC 24 V/0.5 A; (6ES7322-8BH10-0AB0).....	129
3.24.1	Parameters of digital output modules.....	133
3.24.2	Diagnosis of digital output modules.....	134
3.24.3	Firmware update via HW Config.....	135
3.24.4	I&M identification data.....	136
3.25	Digital output module SM 322; DO 16 x DC 24 V/0.5 A High Speed; (6ES7322-1BH10-0AA0) ....	137
3.26	Digital output module SM 322; DO 16 x UC 24/48 V; (6ES7322-5GH00-0AB0).....	140
3.26.1	Parameters of digital output module SM 322 DO 16 x UC24/48 V.....	143
3.27	Digital output module SM 322; DO 16 x AC 120/230 V/1 A; (6ES7322-1FH00-0AA0).....	145
3.28	Digital output module SM 322; DO 8 x DC 24 V/2 A; (6ES7322-1BF01-0AA0).....	148
3.29	Digital output module SM 322; DO 8 x DC 24 V/ 0.5 A; with diagnostics interrupt; (6ES7322-8BF00-0AB0) ....	151
3.29.1	SM 322; DO 8 x DC 24 V/0.5 A - Parameters.....	155
3.29.2	SM 322; DO 8 x DC 24 V/0.5 A - Diagnostics.....	156
3.29.3	SM 322; DO 8 x DC 24 V/0.5 A - Behavior.....	157
3.29.4	SM 322; DO 8 x DC 24 V/0.5 A - Interrupts.....	157
3.30	Digital output module SM 322; DO 8 x DC 48-125 V/1.5 A; (6ES7322-1CF00-0AA0).....	158
3.31	Digital output module SM 322;DO 8 x AC 120/230 V/2 A; (6ES7322-1FF01-0AA0).....	161
3.32	Digital output module SM 322; DO 8 x AC 120/230 V/2 A ISOL (6ES7322-5FF00-0AB0).....	164
3.32.1	Parameters of SM 322; DO 8 x AC 120/230 V/2 A ISOL .....	167
3.32.2	SM 322; DO 8 x AC 120/230 V/2 A ISOL - Diagnostics.....	168
3.32.3	SM 322; DO 8 x AC 120/230 V/2 A ISOL - Interrupts.....	168

3.33	Relay output module SM 322; DO 16 x Rel. AC 120/230 V; (6ES7322-1HH01-0AA0).....	169
3.34	Relay output module SM 322; DO 8 x Rel. AC 230 V; (6ES7322-1HF01-0AA0).....	172
3.35	Relay output module SM 322; DO 8 x Rel. 230VAC/5A; (6ES7322-5HF00-0AB0).....	176
3.35.1	Parameters of SM 322; DO 8 x Rel. AC 230V/5A.....	181
3.35.2	SM 322; DO 8 x Rel. AC 230V/5A - Diagnostics.....	181
3.35.3	SM 322; DO 8 x Rel. AC 230V/5A - Interrupts.....	182
3.36	Relay output module SM 322; DO 8 x Rel. AC 230 V/5 A; (6ES7322-1HF10-0AA0).....	182
3.37	Digital IO module SM 323; DI 16/DO 16 x DC 24 V/0.5 A; (6ES7323-1BL00-0AA0).....	187
3.38	Digital IO module SM 323; DI 8/DO 8 x DC 24 V/0.5 A; (6ES7323-1BH01-0AA0).....	190
3.39	Programmable digital IO module SM 327; DI 8/DO 8 x DC 24 V/0.5 A ..... 193	193
3.39.1	Parameters of SM 327; DI 8/DO 8 x 24 VDC/0.5 A .....	197
3.39.1.1	Structure of data record 1 of SM 327; DI 8/DO 8 x DC 24 V/0.5 A .....	198
<b>4</b>	<b>Principles of analog value processing.....</b>	<b>200</b>
4.1	Overview.....	200
4.2	Wiring and connecting transducers to analog inputs.....	200
4.2.1	Wiring and connecting electrically isolated transducers.....	201
4.2.2	Wiring non-isolated transducers.....	203
4.3	Wiring and connecting voltage transducers.....	204
4.4	Wiring and connecting current transducers.....	205
4.5	Wiring and connecting resistance thermometers and resistors.....	206
4.6	Wiring and connecting thermocouples.....	208
4.6.1	Wiring and connecting thermocouples with internal compensation.....	211
4.6.2	Wiring and connecting thermocouples with external compensation.....	212
4.7	Wiring and connecting loads/actuators to analog outputs.....	214
4.7.1	Wiring and connecting loads/actuators to voltage outputs.....	215
4.7.2	Wiring and connecting loads/actuators to current outputs.....	216
<b>5</b>	<b>Principles of analog modules.....</b>	<b>218</b>
5.1	Representation of the values for analog input channels.....	219
5.2	Representation of analog values for analog output channels.....	233
5.3	Setting the measuring method and ranges of analog input channels.....	236
5.4	Response of the analog modules.....	238
5.4.1	Influence of the power supply and operating state.....	238
5.4.2	Influence of the range of analog values.....	239
5.4.3	Influence of operational limits and basic error limits.....	240
5.5	Conversion and cycle times of analog modules .....	241
5.6	Settling and response times of analog output channels.....	243
5.7	Programming analog modules.....	244
5.7.1	Parameters of analog input modules.....	245

5.8	Diagnostics of analog modules.....	245
5.8.1	Diagnostics messages of analog input modules.....	246
5.8.2	Diagnostic messages of analog output modules.....	246
5.8.3	Causes of error and troubleshooting at analog input modules.....	247
5.8.4	Causes of error and troubleshooting at analog output modules.....	247
5.9	Interrupts of analog modules.....	248
<b>6</b>	<b>Analog modules.....</b>	<b>250</b>
6.1	Analog module selection and commissioning sequence.....	250
6.2	Module overview.....	251
6.2.1	Analog input modules.....	251
6.2.2	Analog output modules.....	254
6.2.3	Analog I/O modules.....	255
6.3	Analog input module SM 331; AI 8 x 16 bit; (6ES7331-7NF00-0AB0).....	255
6.3.1	Measurement types and ranges.....	260
6.3.2	Programmable parameters.....	261
6.3.3	Additional information on SM 331; AI 8 x 16 Bit.....	262
6.4	Analog input module SM 331; AI 8 x 16 Bit; (6ES7331-7NF10-0AB0).....	263
6.4.1	Measurement types and measuring ranges.....	269
6.4.2	Programmable parameters.....	269
6.4.3	Additional information for SM 331; AI 8 x 16 Bit.....	270
6.5	Analog input module SM 331; AI 8 x 14 Bit High Speed; isochrone; (6ES7331-7HF0x-0AB0).....	274
6.5.1	Measurement types and measuring ranges.....	278
6.5.2	Programmable parameters.....	280
6.5.3	Isochronous mode.....	280
6.5.4	Additional information on SM 331; AI 8 x 14 Bit High Speed, isochrone.....	282
6.6	Analog input module SM 331; AI 8 x 13 Bit; (6ES7331-1KF02-0AB0).....	283
6.6.1	Measurement types and measuring ranges.....	290
6.6.2	Programmable parameters.....	290
6.6.3	Additional information on SM 331; AI 8 x 13 Bit.....	291
6.7	Analog input module SM 331; AI 8 x 12 bit;(6ES7331-7KF02-0AB0).....	293
6.7.1	Analog input module SM 331; AI 8 x 12 bit;(6ES7331-7KF02-0AB0).....	293
6.7.2	Measurement types and ranges.....	301
6.7.3	Programmable parameters.....	303
6.7.4	Additional information on SM 331; AI 8 x 12 Bit.....	304
6.8	Analog input module SM 331; AI 2 x 12 Bit; (6ES7331-7KB02-0AB0).....	305
6.8.1	Analog input module SM 331; AI 2 x 12-bit; (6ES7331-7KB02-0AB0).....	305
6.8.2	Measurement types and measuring ranges.....	313
6.8.3	Programmable parameters.....	314
6.8.4	Additional information on SM 331; AI 2 x 12 Bit.....	315
6.9	Analog input module SM 331; AI 8 x RTD; (6ES7331-7PF01-0AB0).....	316
6.9.1	Analog input module SM 331; AI 8 x RTD (6ES7331-7PF01-0AB0).....	316
6.9.2	Measurement types and measuring ranges.....	323
6.9.3	Programmable parameters.....	324
6.9.4	Additional information on SM 331; AI 8 x RTD.....	325
6.10	Analog input module SM 331; AI 8 x TC; (6ES7331-7PF11-0AB0).....	329

6.10.1	Measurement types and measuring ranges.....	337
6.10.2	Adjustable parameters.....	337
6.10.3	Additional information on SM 331; AI 8 x TC.....	339
6.11	Analog input module SM 331, AI 6 x TC isolated (6ES7331-7PE10-0AB0).....	342
6.11.1	Measurement types and measuring ranges.....	352
6.11.2	Programmable parameters.....	353
6.11.3	Additional information relating to SM 331; AI 6 x TC.....	354
6.11.4	Firmware update via HW Config for analog input module SM 331; AI 6 x TC.....	359
6.11.5	I&M data for identifying the analog input module SM 331; AI 6 x TC.....	360
6.11.6	Calibration of analog input module SM 331; AI 6 x TC.....	361
6.12	Analog output module SM 332; AO 8 x 12 bit; (6ES7332-5HF00-0AB0).....	367
6.12.1	SM 332; AO 8 x 12 Bit - Output ranges.....	371
6.12.2	Programmable parameters.....	372
6.12.3	Additional information on SM 332; AO 8 x 12 Bit.....	373
6.13	Analog output module SM 332; AO 4 x 16 bit; isochrone; (6ES7332-7ND02-0AB0).....	373
6.13.1	SM 332; AO 4 x 16 Bit - Output ranges.....	379
6.13.2	Programmable parameters.....	379
6.13.3	Isochronous mode.....	380
6.13.4	Additional information on SM 332; AO 4 x 16 Bit.....	381
6.14	Analog output module SM 332; AO 4 x 12 Bit; (6ES7332-5HD01-0AB0).....	382
6.14.1	Output ranges of SM 332; AO 4 x 12 Bit.....	387
6.14.2	Programmable parameters.....	387
6.14.3	Additional information on SM 332; AO 4 x 12 Bit.....	388
6.15	Analog output module SM 332; AO 2 x 12 Bit; (6ES7332-5HB01-0AB0).....	388
6.15.1	Output ranges of SM 332; AO 2 x 12 Bit.....	393
6.15.2	Programmable parameters.....	393
6.15.3	Additional information on SM 332; AO 2 x 12 Bit.....	394
6.16	Analog IO module SM 334; AI 4/AO 2 x 8/8 Bit; (6ES7334-0CE01-0AA0).....	395
6.16.1	SM 334; AI 4/AO 2 x 8/8 Bit - Function principle .....	400
6.16.2	Measurement and output type of SM 334; AI 4/AO 2 x 8/8 bit.....	400
6.16.3	Measurement and output ranges of SM 334; AI 4/ AO 2 x 8/8 bit.....	401
6.16.4	Additional information on SM 334; AI 4/AO 2 x 8/8 Bit.....	401
6.17	Analog IO module SM 334; AI 4/AO 2 x 12 bit; (6ES7334-0KE00-0AB0).....	401
6.17.1	Programmable parameters.....	406
6.17.2	Measurement types and ranges.....	407
6.17.3	Additional information on SM 334; AI 4/ AO 2 x 12 bit.....	408
<b>7</b>	<b>Other signal modules.....</b>	<b>409</b>
7.1	Module overview.....	409
7.2	Simulator module SM 374; IN/OUT 16; (6ES7374-2XH01-0AA0).....	409
7.3	Dummy module DM 370; (6ES7370-0AA01-0AA0).....	412
7.4	Position decoder module SM 338; POS-INPUT; (6ES7338-4BC01-0AB0) .....	414
7.4.1	Isochronous mode.....	415
7.4.2	Wiring and block diagrams.....	416
7.4.3	Functions of SM 338; POS-INPUT; encoder value acquisition.....	417



7.4.3.1	Encoder value acquisition.....	417
7.4.3.2	Gray code/binary code converter.....	417
7.4.3.3	Transferred encoder value and scaling.....	417
7.4.3.4	Freeze function.....	418
7.4.4	Parametrization SM 338 POS-INPUT.....	419
7.4.5	Addressing SM 338 POS-INPUT.....	420
7.4.6	Diagnostics of SM 338; POS-INPUT.....	422
7.4.7	SM 338; POS INPUT - Interrupts.....	424
7.4.8	Technical data of SM 338; POS-INPUT.....	424
<b>8</b>	<b>Interface modules.....</b>	<b>427</b>
8.1	Module overview.....	427
8.2	Interface module IM 360; (6ES7360-3AA01-0AA0).....	427
8.3	Interface module IM 361; (6ES7361-3CA01-0AA0).....	429
8.4	Interface module IM 365; (6ES7365-0BA01-0AA0).....	431
<b>A</b>	<b>Parameter sets of signal modules.....</b>	<b>433</b>
A.1	Principles of programming signal modules in the user program.....	433
A.2	Parameters of digital IO modules.....	434
A.3	Parameters of the digital input module SM 321; DI 16 x DC 24/125 V.....	436
A.4	Parameters of digital output modules.....	438
A.5	Settings from the digital output module SM 322; DO 16 x DC 24 V/0.5 A (6ES7322-8BH10-0AB0) .....	440
A.6	Parameters of analog input modules.....	443
A.7	Parameters of analog input module SM 331; AI 8 x RTD.....	446
A.8	Parameters of SM 331; AI 8 TC.....	454
A.9	Parameters of analog input module SM 331; AI 8 x 13 Bit.....	461
A.10	Setting of the analog input module SM 331; AI 8 x 16 Bit (6ES7331-7NF10-0AB0).....	464
A.11	Parameters of analog input module SM 331; AI 6 x TC isolated.....	470
A.12	Parameters of analog output modules.....	477
A.13	Parameters of analog output module SM 332; AO 8 x 12 Bit.....	479
A.14	Parameters of analog IO modules.....	481
<b>B</b>	<b>Diagnostics data of signal modules.....</b>	<b>484</b>
B.1	Evaluating diagnostic data of signal modules in the user program.....	484
B.2	Structure and content of diagnostics data, byte 0 and up.....	484
B.3	Channel-specific diagnostics data.....	488
B.4	Diagnosis data from the SM 322; DO 16 x DC24 V/0.5 A (6ES7322-8BH10-0AB0).....	489
B.5	Diagnostics data of SM 331; AI 6 x TC isolated.....	492
B.6	Diagnostics data of SM 338; POS-INPUT.....	495

<b>C</b>	<b>Dimensional drawings.....</b>	<b>498</b>
C.1	Dimensional drawings of the mounting rails.....	498
C.1.1	Bus modules.....	504
C.2	Dimensional drawings of the power supply modules.....	504
C.3	Dimensional drawings of the interface modules .....	507
C.4	Dimensional drawings of the signal modules.....	509
C.5	Dimensional drawings of accessories.....	511
<b>D</b>	<b>Spare parts and accessories for S7-300 modules.....</b>	<b>513</b>
<b>E</b>	<b>Directive on handling Electrostatic-Sensitive Devices (ESD).....</b>	<b>515</b>
E.1	Definition of ESD.....	515
E.2	Electrostatic charging of the body.....	515
E.3	Basic protective measures against electrostatic discharge.....	516
<b>F</b>	<b>Service &amp; support.....</b>	<b>517</b>
F.1	Service & support.....	517
<b>G</b>	<b>Safety-relevant symbols.....</b>	<b>518</b>
G.1	Safety-related symbols for devices without Ex protection.....	518
G.2	Safety-related symbols for devices with Ex protection.....	519
<b>H</b>	<b>List of abbreviations.....</b>	<b>520</b>
H.1	List of abbreviations.....	520
	<b>Glossary.....</b>	<b>522</b>
	<b>Index.....</b>	<b>531</b>

# General technical data

## 1.1 Standards and approvals

### Introduction

Contents of general technical data:

- standards and test values satisfied by modules of the S7-300 automation system
- test criteria of S7-300 modules.

---


#### NOTE


##### Information on the nameplate


You will find the current labels and approvals on the nameplate of the respective modules.

---

### Safety guidelines

 <b>WARNING</b>
<b>Personal injury and damage to property may occur</b>
In hazardous areas, injury to persons and material damage may occur if you disconnect plug-in connections during operation of an S7-300 automation system.
Always switch off the power to the S7-300 automation system when disconnecting plug-in connections in potentially explosive atmospheres.

 <b>WARNING</b>
<b>Explosion hazard</b>
If you replace components, compliance with Class I, DIV 2 may become invalid.

 <b>WARNING</b>
<b>Deployment requirements</b>
This device is only suitable for use in Class I, Div. 2, Group A, B, C, D, or in non-hazardous areas.

### Test symbols and their significance

The test symbols and their meanings are described in the following section.

## CE Label



The S7-300 automation system satisfies the requirements and protection goals of the following EC directives, and conforms with the harmonized European standards (EN) for programmable logic controllers announced in the Official Journals of the European Community:

- 2014/35/EU "Electrical equipment designed for use within certain voltage limits" (Low-Voltage Directive)
- 2014/30/EU "Electromagnetic Compatibility" (EMC Directive)
- 2014/34/EU "Equipment and protective systems intended for use in potentially explosive atmospheres" (Explosion Protection Directive)
- 2011/65/EU "Restriction of the use of certain hazardous substances in electrical and electronic equipment" (RoHS Directive)

The EU Declarations of Conformity are available to the relevant authorities at the following address:

Siemens AG  
Digital Industries  
Factory Automation  
DI FA TI COS TT  
P.O. Box 1963  
D-92209 Amberg

The EU declarations of conformity are also available for download from the Siemens Industry Online Support website, under the keyword "Declaration of Conformity".

## UK Conformity Assessed marking



The S7-300 automation system complies with the designated British Standards (BS) for programmable logic controllers published in the official consolidated list of the British government. The S7-300 automation system fulfills the requirements and protection goals of the following regulations and related supplements:

- Electrical Equipment (Safety) Regulations 2016 (Low-Voltage)
- Electromagnetic Compatibility Regulations 2016 (EMC)
- Equipment and Protective Systems Intended for Use in Potentially Explosive Atmospheres Regulations 2016 (Explosion Protection)
- The Restriction of the Use of Certain Hazardous Substances in Electrical and Electronic Equipment Regulations 2012 (RoHS)
- Supply of Machinery (Safety) Regulations 2008 for S7-300 safety components (fail-safe modules)

UK declarations of conformity for the respective authorities are available from:

Siemens AG  
Digital Industries  
Factory Automation  
DI FA TI COS TT  
P.O. Box 1963  
D-92209 Amberg

The UK Declaration of Conformity is also available for download from the Siemens Industry Online Support website under the keyword "Declaration of Conformity".

### UL approval



Underwriters Laboratories Inc., complying with

- UL 508 (Industrial Control Equipment)

### CSA approval



Canadian Standards Association to

- C22.2 No. 142 (Process Control Equipment)

or

### cULus approval



Underwriters Laboratories Inc. complying with

- UL 508 (Industrial Control Equipment)
- CAN/CSA C22.2 No. 142 (Process Control Equipment)

or

### cULus HAZ. LOC. approval



HAZ. LOC.

Underwriters Laboratories Inc., complying with

- UL 508 (Industrial Control Equipment)
- ANSI/ISA 12.12.01
- CAN/CSA C22.2 No. 142 (Process Control Equipment)
- CAN/CSA C22.2 No. 213 (Hazardous Location)

APPROVED for use in

Class I, Division 2, Group A, B, C, D Tx;

Class I, Zone 2, Group IIC Tx

## FM approval



Factory Mutual Research (FM) according to

- Approval Standard Class Number 3611, 3600, 3810
- ANSI/UL 121201
- ANSI/UL 61010-1

APPROVED for use in

Class I, Division 2, Group A, B, C, D Tx;

Class I, Zone 2, Group IIC Tx

## ATEX approval



According to EN 60079-15 (Electrical apparatus for potentially explosive atmospheres - Part 15: Type of protection "n") and EN IEC 60079-0 (Electrical apparatus for potentially explosive gas atmospheres - Part 0: General Requirements) and EN 60079-0 (Electrical apparatus for potentially explosive gas atmospheres - Part 0: General requirements).

II 3 G Ex nA IIC Tx Gc

DEKRA 13ATEX0015 X

### OR

According to EN IEC 60079-7 (Electrical apparatus for potentially explosive atmospheres - Part 7: Increased safety "e") and EN IEC 60079-0 (Electrical apparatus for potentially explosive gas atmospheres - Part 0: General Requirements), EN IEC 60079-15 (Electrical apparatus for potentially explosive atmospheres - Part 15: Type of protection "n") and EN IEC 60079-0 (Electrical apparatus for potentially explosive gas atmospheres - Part 0: General requirements).

II 3 G Ex ec nC IIC Tx Gc

DEKRA 21ATEX0048 X

### Special conditions in explosive atmospheres:

- The equipment shall only be used in an area of not more than pollution degree 2, as defined in EN 60664-1.
- The equipment shall be installed in a suitable enclosure providing a degree of protection not less than IP54 in accordance with EN IEC 60079-0. The ambient conditions must be taken into consideration for use.
- Provisions shall be made to prevent the rated voltage from being exceeded by transient disturbances of more than 119 V.

## UKEX approval



According to EN IEC 60079-7 (Explosive atmospheres – Part 7: Equipment protection by increased safety "e"), EN IEC 60079-15 (Electrical apparatus for potentially explosive atmospheres - Part 15: Type of protection "n") and EN IEC 60079-0 (Explosive atmospheres – Part 0: Equipment - General requirements).

II 3 G Ex ec nC IIC Tx Gc  
DEKRA 21UKEX0011 X

### Special conditions in explosive atmospheres:

- The equipment shall only be used in an area of not more than pollution degree 2, as defined in EN 60664-1.
- The equipment shall be installed in a suitable enclosure providing a degree of protection not less than IP54 in accordance with EN IEC 60079-0. The ambient conditions must be taken into consideration for use.
- Provisions shall be made to prevent the rated voltage from being exceeded by transient disturbances of more than 119 V.

## IECEx approval



According to IEC 60079-15 (Explosive atmospheres - Part 15: Equipment protection by type of protection "n") and IEC 60079-0 (Explosive atmospheres - Part 0: Equipment - General requirements).

II 3 G Ex ec IIC Tx Gc  
DEKRA 21DEK 14.0042 X

### OR

According to IEC 60079-7 (Electrical apparatus for potentially explosive atmospheres - Part 7: Increased safety "e"), IEC 60079-15 (Electrical apparatus for potentially explosive atmospheres - Part 15: Type of protection "n") and IEC 60079-0 (Electrical apparatus for potentially explosive gas atmospheres - Part 0: General requirements).

II 3 G Ex ec nC IIC Tx Gc  
IECEx 21DEK 21.0030 X

### Special conditions in hazardous areas:

- The equipment shall only be used in an area of not more than pollution degree 2, as defined in IEC 60664-1.
- The device must be installed in a suitable housing that ensures at least IP54 degree of protection according to IEC 60079-0. The ambient conditions must be taken into consideration for use.
- Provisions shall be made to prevent the rated voltage from being exceeded by transient disturbances of more than 119 V.

### CCCEx approval



In accordance with GB/T 3836.3 (Explosive atmospheres - Part 3: Equipment protection by type of protection "e"), GB/T 3836.8 (Explosive atmospheres - Part 8: Equipment protection by type of protection "n") and GB/T 3836.1 (Explosive atmospheres - Part 1: Equipment - General requirements).

Ex ec nC IIC Tx Gc

#### Special conditions in hazardous areas:

- The equipment shall only be used in an area of not more than pollution degree 2, as defined in GB/T 16935.1.
- The equipment shall be installed in a suitable enclosure providing a degree of protection not less than IP54 in accordance with GB/T 3836.1. The ambient conditions must be taken into consideration for use.
- Provisions shall be made to prevent the rated voltage from being exceeded by transient disturbances of more than 119 V.

### RCM (C-Tick) Declaration of conformity for Australia/New Zealand



The ET 200M distributed I/O device satisfies the requirements of the IEC 61000-6-4 standard.

### EN 61131

The S7-300 automation system fulfills the requirements and criteria of the EN 61131-2 standard (Programmable Controllers, Part 2: Equipment requirements and tests).

### Marine approval

Classification societies:

- ABS (American Bureau of Shipping)
- BV (Bureau Veritas)
- DNV-GL (Det Norske Veritas-Germanischer Lloyd)
- LRS (Lloyds Register of Shipping)
- Class NK (Nippon Kaiji Kyokai)
- CCS (China Classification Society)
- RINA (Registro Italiano Navale)

### Use in industrial environments

SIMATIC products are designed for industrial applications.

Table 1-1 Use in industrial environments

Field of application	Noise emission requirements	Noise immunity requirements
Industry	EN IEC 61000-6-4:2019	EN IEC 61000-6-2:2019



## Use in residential areas / mixed areas

### NOTE

The S7-300 automation system is intended for use in industrial areas; use in residential areas / mixed areas may have an impact on radio/TV reception.

If you use the S7-300 in residential areas / mixed areas, you must ensure observance of emission of radio interference according to EN IEC 61000-6-3.

Suitable measures for achieving the required Class B radio interference level include, for example:

- S7-300 installation in grounded switch cabinets / cubicles
- Use of noise filters in the supply lines

## 1.2 Electromagnetic compatibility

### Definition See EMV

Electromagnetic compatibility (EMC) is the ability of an electrical installation to function satisfactorily in its electromagnetic environment without interfering with that environment. The S7-300 modules also satisfy requirements of EMC legislation for the European domestic market. Compliance of the S7-300 system with specifications and directives on electric design is prerequisite.

### Pulseshaped disturbance

The table below shows the EMC compatibility of S7 modules in areas subject to pulse-shaped disturbance.

Pulse-shaped disturbance	Test voltage	corresponds with degree of severity
Electrostatic discharge to IEC 61000-4-2	Air discharge: $\pm 8$ kV Contact discharge $\pm 4$ kV	3 2
Burst pulses (high-speed transient disturbance) to IEC 61000-4-4.	2 kV (power supply lines) 2 kV (signal lines > 3 m) 1 kV (signal lines < 3 m)	3 3
High-energy single pulse (surge) to IEC 61000-4-5 External protective circuit required (refer to <i>S7-300 Automation System, Hardware and Installation</i> , Chapter "Lightning and overvoltage protection")		3
• asymmetric coupling	2 kV (power supply lines) DC with protective elements 2 kV (signal/ data line only > 3 m), with protective elements as required	
• symmetric coupling	1 kV (power supply lines) DC with protective elements 1 kV (signal/ data line only > 3 m), with protective elements as required	

### Sinusoidal disturbance

The table below shows the EMC compatibility of S7-300 modules in areas subject to sinusoidal disturbance.

- HF radiation

HF radiation according to IEC 61000-4-3 Electromagnetic HF field, amplitude-modulated		Corresponds with degree of severity
80 MHz to 1,000 MHz; 1.4 GHz to 2 GHz	2.0 GHz to 2.7 GHz	3, 1
10 V/m	1 V/m	
80% AM (1 kHz)		

- HF coupling

HF coupling according to IEC 61000-4-6		Corresponds with degree of severity
0.15 MHz to 80 MHz		3
10 V <sub>rms</sub> unmodulated		
80% AM (1 kHz)		
150 Ω source impedance		

### Emission of radio interference

Emission of interference from electromagnetic fields in accordance with EN 61000-6-4: Limit Value Class A (measured at a distance of 10 m).

Frequency	Noise emission
30 MHz to 230 MHz	< 40 dB (μV/m)Q
230 MHz to 1000 MHz	< 47 dB (μV/m)Q
1 GHz - 3 GHz	< 76 dB (μV/m) peak < 56 dB (μV/m) average
3 GHz - 6 GHz	< 80 dB (μV/m) peak < 60 dB (μV/m) average

Noise emission via AC mains to EN 55016: Limit value class A, Group 1.

Frequency	Noise emission
From 0.15 to 0.5 MHz	< 79 dB (μV/m)Q < 66 dB (μV/m)M
0.5 MHz to 5 MHz	< 73 dB (μV/m)Q < 60 dB (μV/m)M
5 MHz to 30 MHz	< 73 dB (μV/m)Q < 60 dB (μV/m)M

## 1.3 Shipping and storage conditions for modules and backup batteries

### Introduction

S7-300 modules exceed the specifications regarding transport and storage conditions pursuant to IEC 61131-2. The following information applies to modules that are transported and stored in their original packaging.

The climatic conditions for temperature and humidity meet:

- IEC 60721-3-3
- IEC 60721-3-2

The mechanical conditions for individual parameters meet IEC 60721-3-2.

### Shipping and storage conditions for modules


Type of condition	Permissible range
Free fall (in shipping package)	$\leq 1$ m
Temperature	- 40 °C to + 70 °C
Barometric pressure	from 1140 to 660 hPa (corresponds to an elevation of -1000 to 3500 m)
Relative humidity	10% to 95%, no condensation
Sinusoidal oscillation to IEC 60068-2-6	5 Hz to 9 Hz: 3.5 mm 9 Hz to 150 Hz: 9.8 m/s <sup>2</sup>
Shock according to IEC 60068-2-27	250 m/s <sup>2</sup> , 6 ms, 1000 shocks

### Shipment of backup batteries

Backup batteries should always be shipped in their original package. Note the regulations governing the transport of hazardous goods. The backup battery has a lithium content of approx. 0.25 g.

### Storing backup batteries

Always store backup batteries in a cool and dry place. The maximum storage period is 5 years

 <b>WARNING</b>
<p><b>Handling backup batteries</b></p> <p>Improper handling of backup batteries can result in injury and damage to property. Improperly handled backup batteries may explode or cause severe burns.</p> <p>Observe the following rules when handling the backup batteries used in the S7-300 automation system:</p> <ul style="list-style-type: none"> <li>• Never charge the batteries</li> <li>• Never heat the batteries</li> <li>• Never throw the batteries in an open fire</li> <li>• Never damage the batteries mechanically (drill, squeeze, etc.)</li> </ul>

---

**NOTE**

**Backup batteries**

Do not dispose of batteries through household waste! Batteries are recyclable!

---

## 1.4 Mechanical and climatic environmental conditions for S7-300 operation

### Operating conditions

S7-300 systems are designed for stationary use in weather-proof locations. The operating conditions are based on the requirements of DIN IEC 60721-3-3:

### Use with additional measures

The S7-300 may not be used under the conditions outlined below without taking additional measures:

- at locations with a high degree of ionizing radiation
- in aggressive environments caused, for example, by
  - the development of dust
  - corrosive vapors or gases
  - strong electric or magnetic fields
- in installations requiring special monitoring, for example
  - elevators
  - electrical plants in potentially hazardous areas

### Mechanical environmental conditions

The table below shows the mechanical environmental conditions in the form of sinusoidal oscillations.

Frequency band	Continuous	Infrequently
$10 \text{ Hz} \leq f \leq 58 \text{ Hz}$	0.0375 mm amplitude	0.75 mm amplitude
$58 \text{ Hz} \leq f \leq 150 \text{ Hz}$	0.5 g constant acceleration	1 g constant acceleration

### Reducing vibrations

If your S7-300 modules are exposed to severe shock or vibration, take appropriate measures to reduce acceleration or the amplitude.

We recommend the installation of the S7-300 on damping materials (for example, rubber-bonded-to-metal mounting.)

## 1.5 Specification of dielectric tests, protection class, degree of protection, and rated voltage of S7-300

**Test of mechanical environmental conditions**

The table below provides important information with respect to the type and scope of the test of ambient mechanical conditions.

Condition tested	Test Standard	Comment
Vibration	Vibration test to IEC 60068-2-6 (sinusoidal)	Type of oscillation: Frequency sweeps with a rate of change of 1 octave/minute. 5 Hz ≤ f ≤ 9 Hz, constant amplitude 3.5 mm 9 Hz ≤ f ≤ 150Hz, constant acceleration 1 g Duration of oscillation: 10 frequency sweeps per axis at each of three vertically aligned axes
Shock	Shock, tested to IEC 60068-2-27	Type of shock: half-sine Severity of shock: 15 g peak value, 11 ms duration Direction of shock: 3 shocks in each direction (+/-) at each of three vertically aligned axes

**Climatic environmental conditions**

The S7-300 may be operated on following environmental conditions:

Environmental conditions	Permitted range	Comments
Temperature: horizontal mounting position: vertical mounting position:	0°C to 60°C 0°C to 40°C	-
Relative humidity	10 % to 95 %	No condensation, corresponds to relative humidity (RH) Class 2 to IEC 61131, Part 2
Barometric pressure	from 1140 to 795 hPa	Corresponds with an altitude of -1000 m to 2000 m
Concentration of pollutants	SO <sub>2</sub> : < 0.5 ppm; RH < 60 %, no condensation H <sub>2</sub> S: < 0.1 ppm; RH < 60 %, no condensation	Test: 10 ppm; 4 days Test: 1 ppm; 4 days
	ISA-71.04 severity level G1; G2; G3	-

## 1.5 Specification of dielectric tests, protection class, degree of protection, and rated voltage of S7-300

**Isolation**

The isolation is designed in accordance with the requirements of EN 61131-2.

**Pollution degree/overvoltage category according to IEC 61131-2: 2007**

Proof of dielectric strength must be provided in the type test at a test voltage according to IEC 61131-2:

- Pollution degree 2
- Overvoltage category: II

### Protection class in accordance with IEC 61131-2: 2007

The automation system S7-300 meets Protection Class I and contains parts of Protection Classes II and III.

### Degree of protection IP20

Degree of protection IP 20 in accordance with IEC 60529 for all modules of the S7-300 automation system, i.e.:

- Protection against contact with standard test finger
- Protection against foreign objects with diameters greater than 12.5 mm
- No protection against water

## 1.6 Rated voltages of S7-300

### Rated operating voltages

The S7-300 modules operate at different rated voltages. The table shows the rated voltages and corresponding tolerances.

Rated voltages	Tolerance
24 VDC	20.4 VDC to 28.8 VDC
120 VAC	93 VAC to 132 VAC
230 VAC	187 VAC to 264 VAC

## 1.7 SIPLUS S7-300 Modules

### Definition

SIPLUS S7-300 modules can be used under extended environmental conditions. Meaning of "extended environmental conditions":

- Extended temperature range of - 25 °C to + 60 °C/70°C
- Moisture condensation/condensation permissible
- increased mechanical stress permissible

### Comparison with "standard" modules

The functional scope and technical data of SIPLUS S7-300 modules and of "standard" modules are identical, with the exception of the environmental conditions.

SIPLUS S7-300 modules have a separate order number (see the table below.)

The mechanical/climatic environmental conditions and the method of testing these have changed. The SIPLUS S7-300 modules are specified:

- For deployment in harsh environmental conditions,
- For use in hostile environments.
- For extreme temperature ranges.

For more on this, read section Environmental conditions for the operation of SIPLUS S7-300 modules [\(Page 28\)](#).

## Project design in STEP 7

SIPLUS S7-300 modules are not included in the hardware catalog. Please design your plant based on the relevant "standard" modules shown in the table below.

## SIPLUS S7-300 Modules

This following table contains all SIPLUS S7-300 modules available at the time of publication. In addition, we included the order numbers of the corresponding "standard" modules to support project design. You can refer to specifications and technical data in the special "standard" module section.

You'll find more information on SIPLUS and contact partners in the Internet (<http://www.siemens.com/siplus-extreme>).

Table 1-2 Comparison of SIPLUS S7-300 modules and S7-300 "Standard" module

Module type	SIPLUS S7-300 modules for the use under extended environmental conditions	"Standard" modules
	as of order no.	
Power supply PS 305; 2A PS 307; 5A PS 307; 10A	6AG1305-1BA80-2AA0 6AG1307-1EA80-2AA0 6AG1307-1KA02-7AA0	6ES7305-1BA80-0AA0 6ES7307-1EA80-0AA0 6ES7307-1KA02-0AA0
Interface module IM 153-1 IM 365	6AG1153-1AA03-2XB0 6AG1365-0BA01-2AA0	6ES7153-1AA03-0XB0 6ES7365-0BA01-0AA0
Separator module	6AG1195-7KF00-2XA0	6ES7195-7KF00-0XA0
Central module CPU 312C (EN50155) CPU 312C CPU 313C (EN50155) CPU 313C CPU 313C-2DP (EN50155) CPU 313C-2DP CPU 314 (EN50155) CPU 314 CPU 314C CPU 314C-2DP (EN50155) CPU 314C-2DP CPU314C-2PN/DP CPU 315-2DP (EN50155) CPU 315-2DP CPU 315-2PN/DP (EN50155) CPU 315-2PN/DP CPU 315F-2PN/DP CPU 315F-2PN/DP (EN50155) CPU 315F-2DP CPU 315F-2DP (EN50155) CPU 317-2PN/DP (EN50155) CPU 317-2PN/DP CPU 317F-2PN/DP CPU 317F-2PN/DP (EN50155) CPU 317F-2DP	6AG1312-5BF04-2AY0 6AG1312-5BF04-7AB0 6AG1313-5BG04-2AY0 6AG1313-5BG04-7AB0 6AG1313-6CG04-2AY0 6AG1313-6CG04-7AB0 6AG1314-1AG14-2AY0 6AG1314-1AG14-7AB0 6AG1314-6BH04-7AB0 6AG1314-6CH04-2AY0 6AG1314-6CH04-7AB0 6AG1314-6EH04-7AB0 6AG1315-2AH14-2AY0 6AG1315-2AH14-7AB0 6AG1315-2EH14-2AY0 6AG1315-2EH14-7AB0 6AG1315-2FJ14-2AB0 6AG1315-2FJ14-2AY0 6AG1315-6FF04-2AB0 6AG1315-6FF04-2AY0 6AG1317-2EK14-2AY0 6AG1317-2EK14-7AB0 6AG1317-2FK14-2AB0 6AG1317-2FK14-2AY0 6AG1317-6FF04-2AB0	6ES7312-5BF04-0AB0 6ES7312-5BF04-0AB0 6ES7313-5BG04-0AB0 6ES7313-5BG04-0AB0 6ES7313-6CG04-0AB0 6ES7313-6CG04-0AB0 6ES7314-1AG14-0AB0 6ES7314-1AG14-0AB0 6ES7314-6BH04-0AB0 6ES7314-6CH04-0AB0 6ES7314-6CH04-0AB0 6ES7314-6EH04-0AB0 6ES7315-2AH14-0AB0 6ES7315-2AH14-0AB0 6ES7315-2EH14-0AB0 6ES7315-2EH14-0AB0 6ES7315-2FJ14-0AB0 6ES7315-2FJ14-0AB0 6ES7315-6FF04-0AB0 6ES7315-6FF04-0AB0 6ES7317-2EK14-0AB0 6ES7317-2EK14-0AB0 6ES7317-2FK14-0AB0 6ES7317-2FK14-0AB0 6ES7317-6FF04-0AB0

1.7 SIPLUS S7-300 Modules

Module type	SIPLUS S7-300 modules for the use under extended environmental conditions	"Standard" modules
	as of order no.	
Digital input module SM 321; DI 16 x DC 24V SM 321; DI 32 x DC 24V SM 321; DI 16 x DC 24V SM 321; DI 8 x AC 120/230V SM 321; DI 16 x DC 48 V-125V SM 321; DI 8 x AC 120/220 V SM 321; DI 4 NAMUR SM 321; DI 16 x DC 24V	6AG1321-1BH02-2AA0 6AG1321-1BL00-2AA0 6AG1321-7BH01-2AB0 6AG1321-1FF10-7AA0 6AG1321-1CH20-2AA0 6AG1321-1FF01-2AA0 6AG1321-7RD00-4AB0 6AG1321-7TH00-4AB0	6ES7321-1BH02-0AA0 6ES7321-1BL00-0AA0 6ES7321-7BH01-0AB0 6ES7321-1FF10-0AA0 6ES7321-1CH20-0AA0 6ES7321-1FF01-0AA0 6ES7321-7RD00-0AB0 6ES7321-7TH00-0AB0
Digital output module SM 322; DO 16 x DC 24V/0.5A SM 322; DO 8 x Rel. 230 V AC / 5A SM 322; DO 8 x DC 48-125 V/1.5 A SM 322; DO 8 x AC 120/230V/2A SM 322; DO 8 x DC 24V/0.5A SM 322; DO 8 x DC 24V SM 322; DO 32 x DC 24 V/0.5 A SM 322; DO 16 x AC 120/230V/1 A SM 322; DO 16 RELAY SM 322; DO 8 x AC 120/230 V, 2 A SM 322; DO 8 RELAY SM 322; DO 16 x DC 24V	6AG1322-1BH01-2AA0 6AG1322-1HF10-2AA0 6AG1322-1CF00-7AA0 6AG1322-1FF01-7AA0 6AG1322-8BF00-2AB0 6AG1322-1BF01-2XB0 6AG1322-1BL00-2AA0 6AG1322-1FH00-7AA0 6AG1322-1HH01-2AA0 6AG1322-5FF00-4AB0 6AG1322-5HF00-4AB0 6AG1322-8BH10-7AB0	6ES7322-1BH01-0AA0 6ES7322-1HF10-0AA0 6ES7322-1CF00-0AA0 6ES7322-1FF01-0AA0 6ES7322-8BF00-0AB0 6ES7322-1BF01-0AA0 6ES7322-1BL00-0AA0 6ES7322-1FH00-0AA0 6ES7322-1HH01-0AA0 6ES7322-5FF00-0AB0 6ES7322-5HF00-0AB0 6ES7322-8BH10-0AB0
Digital I/O module SM 323; DI8/DO8 x DC 24V/0.5A	6AG1323-1BH01-2AA0	6ES7323-1BH01-0AA0
Analog input module SM 331; AI 2 x 12Bit SM 331; AI 8 x 13 Bit SM 331; AI 8 x 13 Bit SM 331; AI 8 x 12 Bit SM 331; AI 8 x 16 Bit SM 331; AI 8 x 16 Bit SM 331; AI 8 x 13 Bit SM 331; AI 8 x 13-bit SM 331; AI 4 x 0/4-20 mA SM 331; AI 8 Thermo / AI 4 PT 100 SM 331; AI 2 HART SM 331; AI 8 x 0/4 to mA HART	6AG1331-7KB02-2AB0 6AG1331-1KF02-4AB0 6AG1331-1KF02-7AB0 6AG1331-7KF02-2AB0 6AG1331-7NF00-2AB0 6AG1331-7NF10-2AB0 6AG1331-7PF11-4AB0 6AG1331-7PF01-4AB0 6AG1331-7RD00-2AB0 6AG1331-7SF00-4AB0 6AG1331-7TB00-7AB0 6AG1331-7TF01-7AB0	6ES7331-7KB02-0AB0 6ES7331-1KF02-0AB0 6ES7331-1KF02-0AB0 6ES7331-7KF02-0AB0 6ES7331-7NF00-0AB0 6ES7331-7NF10-0AB0 6ES7331-7PF11-0AB0 6ES7331-7PF01-0AB0 6ES7331-7RD00-0AB0 6ES7331-7SF00-0AB0 6ES7331-7TB00-0AB0 6ES7331-7TF01-0AB0
Analog output module SM 332; AO 2 x 12 bit SM 332; AO 4 x 12 bit SM 332; AO 8 x 12 bit SM 332; AO 8 x 0/4 - 20 mA HART SM 332; AO 4 x 16 bit	6AG1332-5HB01-2AB0 6AG1332-5HD01-7AB0 6AG1332-5HF00-2AB0 6AG1332-8TF01-2AB0 6AG1332-7ND02-4AB0	6ES7332-5HB01-0AB0 6ES7332-5HD01-0AB0 6ES7332-5HF00-0AB0 6ES7332-8TF01-0AB0 6ES7332-7ND02-0AB0
Analog IO module SM 334; AI 4/AO 2 x 12 Bit	6AG1334-0KE00-7AB0	6ES7334-0KE00-0AB0



## 1.8 Environmental conditions for the operation of SIPLUS S7-300 modules

### Mechanical environmental conditions

**Application class:** to IEC 721-3-3.

### Test of mechanical environmental conditions

The table provides information on the type and scope of the test of mechanical environmental conditions for SIPLUS S7-300 modules.

Table 1-3 SIPLUS S7-300 Modules: Test of mechanical environmental conditions

Condition tested	Test Standard	Remarks
Vibration	Vibration test acc. to IEC 60068-2-6 (sinusoidal)	Type of oscillation: Frequency sweep at a rate of change of 1 octave/minute. 5 Hz ≤ f ≤ 9 Hz, constant Amplitude 3.5 mm 9 Hz ≤ f ≤ 150 Hz, constant Acceleration 1 g duration of oscillation: 10 frequency sweeps at each of three vertically aligned axes
Shock	Shock, tested acc. to IEC 60068-2-27	Type of shock: Half-sine Severity of shock: 15 g peak value, 11 ms duration Direction of shock: 3 shocks each in +/- direction in each of the three vertically aligned axes

### Environmental conditions

**Operating category:** to IEC 721-3-3.

The SIPLUS S7-300 modules may also be used under the following climatic, chemical, biological and mechanical environmental conditions:

Table 1-4 SIPLUS S7-300 Modules: Environmental conditions

Environmental conditions	Permitted range
Temperature: Horizontal mounting position: Vertical mounting position:	-25 °C to +60 °C/70°C 0°C to +40 °C
Relative humidity	5 ... 100 %, condensation / condensation allowed
Resistance against biologically active substances	Conformity with EN 60721-3-3, mildew, fungi and sponge spores (excluding fauna)
Resistance against chemically active substances	Conformity with EN 60721-3-3
Resistance against mechanically active substances	Conformity with EN 60721-3-3, incl. conductive sand, dust <sup>2)</sup>
Air pressure in relation to ambient temperature - air pressure - installation altitude	- 25 ... +60/70 °C at 1140 ... 795 hPa ± -1000 ... +2000 m - 25 ... +50/60°C at 795 ... 658 hPa ± +2000 ... +3500 m - 25 ... +40/50°C at 658 ... 540 hPa ± +3500 ... +5000 m
Certificate of suitability as approval for rail application	--> Partly EN 50155 T1 Cat1 CI A/B

1) ISA-71.04 severity level GX: Dauerbelastung/long-term load: SO<sub>2</sub> < 4.8 ppm; H<sub>2</sub>S < 9.9 ppm; Cl < 0.2 ppm; HCl < 0.66 ppm; HF < 0.12 ppm; NH < 49 ppm; O<sub>3</sub> < 0.1 ppm; NO<sub>X</sub> < 5.2 ppm

2) When operated in harmful gas environments, the supplied plug covers must remain on the non-used port.

# Power supply modules

## Introduction

Various 24-VDC power supply modules are available for your S7-300 PLC and the sensors/actuators.

## Power supply modules See also PS 305, PS 307

This chapter contains the technical data of the S7-300 power supply modules. In addition to technical data, this chapter describes:

- The characteristics
- Wiring diagram
- Block Diagram
- Line protection
- Reaction to atypical operating conditions

## 2.1 Power supply module PS 307; 2 A; (6ES7307-1BA01-0AA0)

### Order number

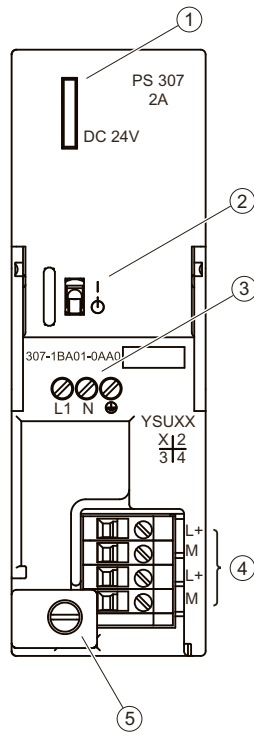
6ES7307-1BA01-0AA0

### Properties

Properties of the PS 307; 2 A power supply module:

- Output current 2 A
- Output voltage 24 V DC; short circuit-proof, open circuit-proof
- Connection to singlephase AC mains  
(rated input voltage 120/230 V AC, 50/60 Hz)
- safe electrical isolation in accordance with 61010-2-201 (SELV)
- May be used as load power supply

### Wiring diagram of PS 307; 2 A



- ① "24 V DC output voltage present" display
- ② 24 V DC On/Off switch
- ③ Mains and protective conductor terminals
- ④ Terminals for 24 V DC output voltage
- ⑤ Strain-relief

### Schematic circuit diagram of PS 307; 2 A

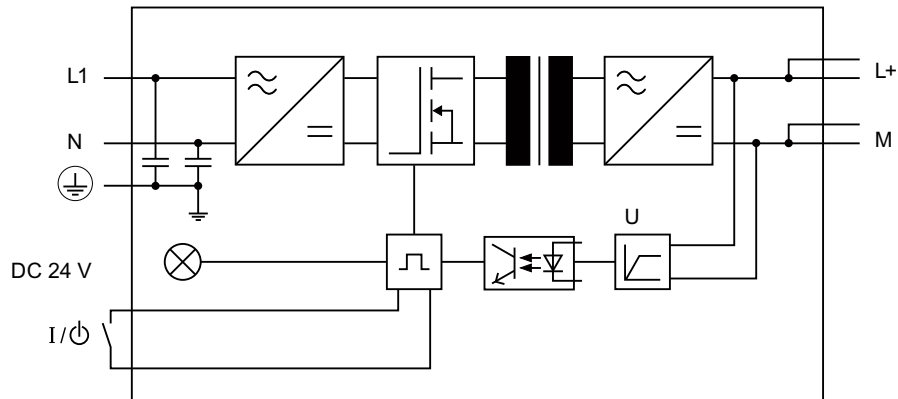


Figure 2-1 Schematic circuit diagram of power supply module PS 307; 2 A

## Line protection

The mains supply of the PS 307; 2A power supply module should be protected with a miniature circuit-breaker (for example Siemens 5SN1 series) of the following rating:

- Rated current at 230 V AC: 3 A
- Tripping characteristics (type): C.

## Reaction to atypical operating conditions

Table 2-1 Reaction of the PS 307; 2A power supply module to atypical operating conditions

If ...	... then ...	24 V DC LED
the output circuit is overloaded: <ul style="list-style-type: none"> <li>• <math>I &gt; 2.6 \text{ A}</math> (dynamic)</li> <li>• <math>2 \text{ A} &lt; I \leq 2.6 \text{ A}</math> (static)</li> </ul>	Voltage dip, automatic voltage recovery Voltage drop, reduction of service life	Flashing
short-circuit at the output	Output voltage 0 V; automatic voltage recovery after short-circuit is eliminated	off
overvoltage on primary side	risk of destruction	-
undervoltage on primary side	Automatic shutdown; automatic voltage recovery	off

## Technical specifications of the PS 307; 2 A (6ES7307-1BA01-0AA0)

Technical specifications	
<b>Dimensions and weight</b>	
Dimensions W x H x D (mm)	40 x 125 x 120
Weight	ca. 400 g
<b>Input parameters</b>	
Input voltage <ul style="list-style-type: none"> <li>• Rated value</li> </ul> Mains frequency <ul style="list-style-type: none"> <li>• Rated value</li> <li>• Permitted range</li> </ul>	120/230 V AC (automatic switching)  50 Hz or 60 Hz 47 Hz to 63 Hz
Rated input current <ul style="list-style-type: none"> <li>• at 230 V</li> <li>• at 120 V</li> </ul>	0.5 A 0.9 A
Inrush current (at 25 °C)	22 A
$I^2t$ (at inrush current)	1 A <sup>2</sup> s
<b>Output parameters</b>	
Output voltage <ul style="list-style-type: none"> <li>• Rated value</li> <li>• Permitted range</li> <li>• Rampup time</li> </ul>	24 V DC 24 V $\pm$ 3 %, open-circuit test max. 2.5 s
Output current <ul style="list-style-type: none"> <li>• Rated value</li> </ul>	2 A, parallel wiring supported
Short-circuit protection	electronic, non-latching 1.1 to 1.3 x $I_N$

Technical specifications	
Residual ripple	max. 150 mV <sub>pp</sub>
Characteristics	
Safety class to IEC 536 (DIN VDE 0106, Part 1)	I, with protective conductor
Isolation rating <ul style="list-style-type: none"> <li>Rated isolation voltage (24 V to L1)</li> <li>Test voltage</li> </ul>	250 V AC 4200 V DC
Safety isolation	SELV circuit
Buffering of power supply failure (at 93 V or 187 V) <ul style="list-style-type: none"> <li>Repeat rate</li> </ul>	min. 20 ms min 1 s
Efficiency	84 %
Power consumption	57 W
Power loss	Typ. 9 W
Diagnostics	
"Output voltage present" display	yes, green LED

## 2.2 Power supply module PS 307; 5 A; (6ES7307-1EA01-0AA0)

### Order number

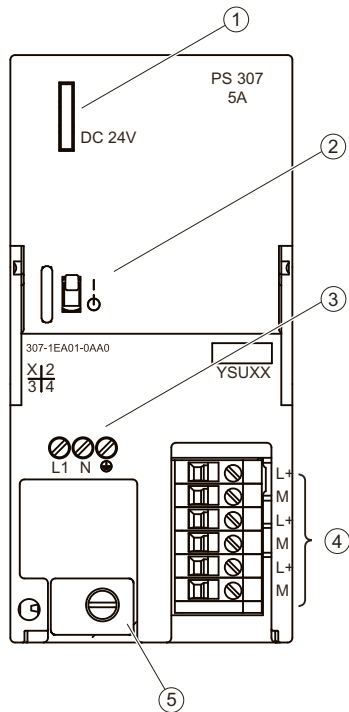
6ES7307-1EA01-0AA0

### Properties

Properties of the PS 307; 5 A power supply module:

- Output current 5 A
- Output voltage 24 V DC; short circuit-proof, open circuit-proof
- Connection to singlephase AC mains (rated input voltage 120/230 V AC, 50/60 Hz)
- safe electrical isolation in accordance with EN 60 950 (SELV)
- May be used as load power supply

### Wiring diagram of PS 307; 5 A



- ① Display for "Output voltage DC 24 V present"
- ② 24 V DC On/Off switch
- ③ Mains and protective conductor terminals
- ④ Terminals for 24 V DC output voltage
- ⑤ Strain-relief

### Block diagram PS 307; 5 A

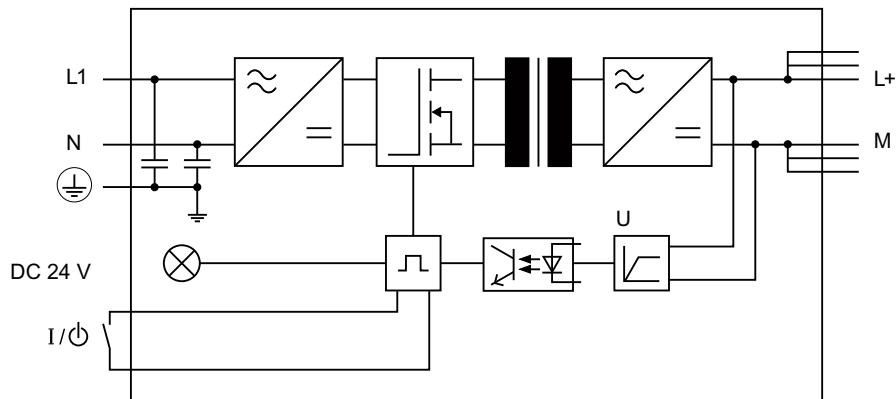


Figure 2-2 Block diagram of the PS 307; 5 A power supply module

### Line protection

The mains supplies of the PS 307; 5 A power supply module should be protected with a miniature circuit-breaker (for example Siemens 5SN1 series) of the following rating:

- Rated current at 230 V AC: 6 A
- Tripping characteristics (type): C.

## Reaction to atypical operating conditions

Table 2-2 Reaction to atypical operating conditions of the PS 307; 5 A power supply module

If ...	... then ...	Display-DC 24 V
the output circuit is overloaded: <ul style="list-style-type: none"> <li>• <math>I &gt; 6.5 \text{ A}</math> (dynamic)</li> <li>• <math>5 \text{ A} &lt; I \leq 6.5 \text{ A}</math> (static)</li> </ul>	Voltage dip, automatic voltage recovery Voltage drop, reduction of service life	flashes
short-circuit at the output	Output voltage 0 V; automatic voltage recovery after short-circuit is eliminated	off
overvoltage on primary side	risk of destruction	-
undervoltage on primary side	Automatic shutdown; automatic voltage recovery	off

## Technical specifications of PS 307; 5 A (6ES7307-1EA01-0AA0)

Technical specifications	
<b>Dimensions and weight</b>	
Dimensions W x H x D (mm)	60 x 125 x 120
Weight	ca. 600 g
<b>Input parameters</b>	
Input voltage <ul style="list-style-type: none"> <li>• Rated value</li> </ul>	120/230 V AC (automatic switching)
Mains frequency <ul style="list-style-type: none"> <li>• Rated value</li> <li>• Permitted range</li> </ul>	50 Hz or 60 Hz 47 Hz to 63 Hz
Rated input current <ul style="list-style-type: none"> <li>• at 120 V</li> <li>• at 230 V</li> </ul>	2.3 A 1.2 A
Inrush current (at 25 °C)	20 A
$I^2t$ (at inrush current)	1.2 A <sup>2</sup> s
<b>Output parameters</b>	
Output voltage <ul style="list-style-type: none"> <li>• Rated value</li> <li>• Permitted range</li> </ul>	24 V DC 24 V $\pm$ 3 %, open circuit-proof
• Rampup time	max. 2.5 s
Output current <ul style="list-style-type: none"> <li>• Rated value</li> </ul>	5 A, parallel wiring is available
Short-circuit protection	electronic, non-latching 1.1 to 1.3 x $I_N$
Residual ripple	max. 150 mV <sub>pp</sub>
<b>Characteristics</b>	
Safety class to IEC 536 (DIN VDE 0106, Part 1)	I, with protective conductor
Isolation rating <ul style="list-style-type: none"> <li>• Rated isolation voltage (24 V to L1)</li> </ul>	250 V AC

2.3 Power supply module PS 307; 10 A; (6ES7307-1KA02-0AA0)

Technical specifications	
• Test voltage	4200 V DC
Safety isolation	SELV circuit
Buffering of power supply failure (at 93 V or 187 V) • Repeat rate	Min. 20 ms min 1 s
Efficiency	87 %
Power consumption	138 W
Power loss	typ. 18 W
Diagnostics	
"Output voltage present" display	yes, green LED

## 2.3 Power supply module PS 307; 10 A; (6ES7307-1KA02-0AA0)

### Order number

6ES7307-1KA02-0AA0

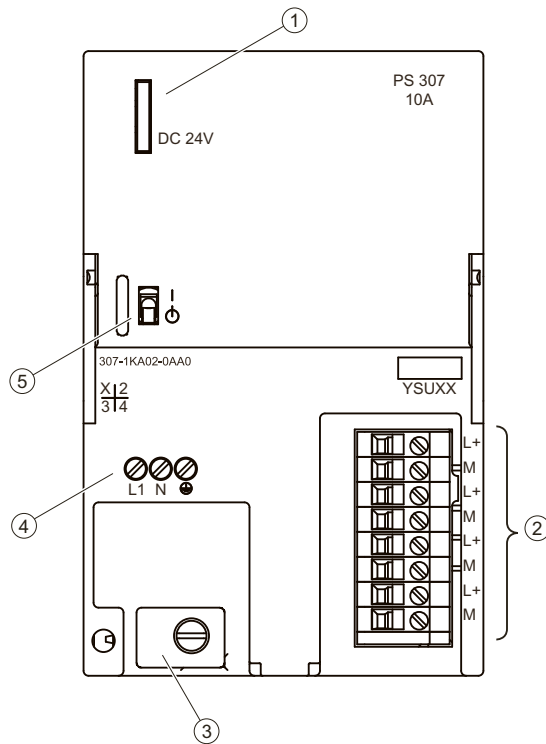
### Properties

Properties of the PS 307; 10 A power supply module:

- Output current 10 A
- Output voltage 24 V DC; short circuit-proof, open circuit-proof
- Connection to singlephase AC mains  
(rated input voltage 120/230 V AC, 50/60 Hz)
- safe electrical isolation in accordance with EN 60 950 (SELV)
- May be used as load power supply



**Block diagram of PS 307; 10 A**



- ① Display for "Output voltage DC 24 V present"
- ② Terminals for 24 V DC output voltage
- ③ Strain-relief
- ④ Mains and protective conductor terminals
- ⑤ 24 V DC On/Off switch

**Block diagram PS 307; 10 A**

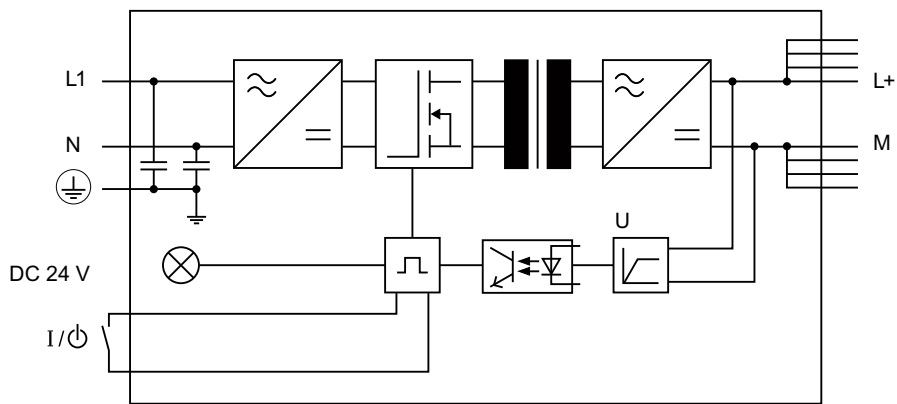


Figure 2-3 Block diagram of the PS 307; 10 A power supply module

## Line protection

The mains supplies of the PS 307;10 A power supply module should be protected with a miniature circuit-breaker (for example Siemens 5SN1 series) of the following rating:

- Rated current at 230 V AC: 10 A
- Tripping characteristics (type): C.

## Reaction to atypical operating conditions

Table 2-3 Reaction to atypical operating conditions of the PS 307; 10 A power supply module

If ...	Module reaction	DisplayDC 24 V
.output circuit is overloaded: <ul style="list-style-type: none"> <li>• <math>I &gt; 13</math> A (dynamic)</li> <li>• <math>10 \text{ A} &lt; I \leq 13</math> A (static)</li> </ul>	Voltage dip, automatic voltage recovery Voltage drop (reduction of service life)	flashes
short-circuit at the output	Output voltage 0 V; automatic voltage recovery after short-circuit is eliminated	off
overvoltage on primary side	risk of destruction	-
undervoltage on primary side	Automatic shutdown; automatic voltage recovery	off

## Technical specifications of PS 307; 10 A (6ES7307-1KA02-0AA0)

Technical specifications	
<b>Dimensions and weight</b>	
Dimensions W x H x D (mm)	80 x 125 x 120
Weight	800 g
<b>Input parameters</b>	
Input voltage <ul style="list-style-type: none"> <li>• Rated value</li> </ul>	120/230 V AC (automatic switching)
Mains frequency <ul style="list-style-type: none"> <li>• Rated value</li> <li>• Permitted range</li> </ul>	50 Hz or 60 Hz 47 Hz to 63 Hz
Rated input current <ul style="list-style-type: none"> <li>• at 230 V</li> <li>• at 120 V</li> </ul>	1.9 A 4.2 A
Inrush current (at 25 °C)	55 A
$I^2t$ (at inrush current)	3.3 A <sup>2</sup> s
<b>Output parameters</b>	
Output voltage <ul style="list-style-type: none"> <li>• Rated value</li> <li>• Permitted range</li> <li>• Rampup time</li> </ul>	24 V DC 24 V $\pm$ 3 %, open-circuit test max. 2.5 s
Output current <ul style="list-style-type: none"> <li>• Rated value</li> </ul>	10 A, parallel wiring is available
Short-circuit protection	electronic, non-latching 1.1 to 1.3 $\times I_N$
Residual ripple	max. 150 mV <sub>pp</sub>

Technical specifications	
<b>Characteristics</b>	
Safety class to IEC 536 (DIN VDE 0106, Part 1)	I, with protective conductor
Isolation rating <ul style="list-style-type: none"> <li>Rated isolation voltage (24 V to L1)</li> <li>Test voltage</li> </ul>	250 V AC 4200 V DC
Safety isolation	SELV circuit
Buffering of power supply failure (at 93 V or 187 V) <ul style="list-style-type: none"> <li>Repeat rate</li> </ul>	Min. 20 ms min 1 s
Efficiency	90 %
Power consumption	267 W
Power loss	typ. 27 W
<b>Diagnostics</b>	
"Output voltage present" display	yes, green LED

## 2.4 Power supply module PS 305; 2 A; (6AG1305-1BA80-2AA0)

### Order number "SIPLUS S7-300 module"

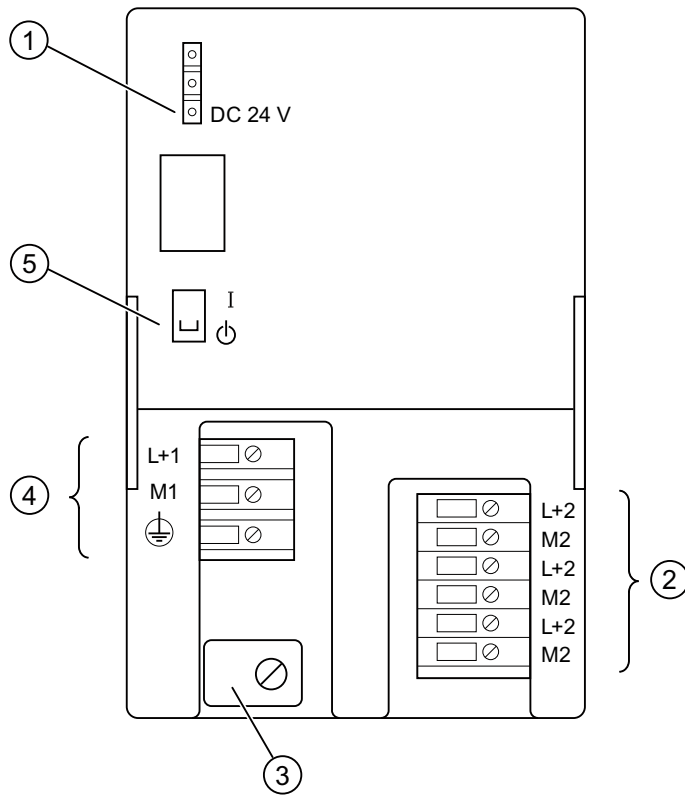
6AG1305-1BA80-2AA0

### Properties

Properties of the PS 305 power supply module (2 A):

- Output current 2 A
- Output voltage 24 V DC; short circuit-proof, open circuit-proof
- Connection to DC power supply  
(rated input voltage 24/48/72/96/110 V DC)
- safe electrical isolation in accordance with EN 60 950 (SELV)
- May be used as load power supply

**Wiring diagram of PS 305; 2 A**



- ① "24 V DC output voltage present" display
- ② Terminals for 24 V DC output voltage
- ③ Strain relief
- ④ Mains and protective conductor terminals
- ⑤ 24 V DC On/Off switch

**Schematic circuit diagram of PS 305; 2 A**

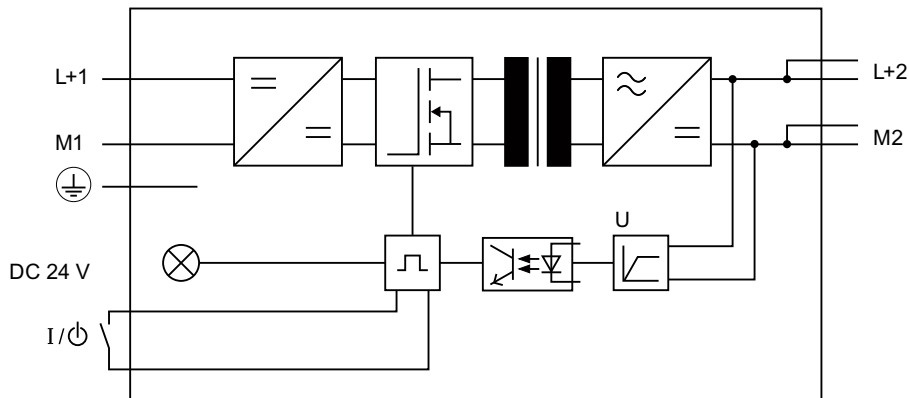


Figure 2-4 Schematic circuit diagram of power supply module PS 305; 2 A

## Line protection

The mains supply of the PS 305 power supply module (2 A) should be protected with a miniature circuit-breaker (for example Siemens 5SN1 series) of the following rating:

- Rated current at 110 V DC: 10 A
- Tripping characteristics (type): C.

## Reaction to atypical operating conditions

Table 2-4 Reaction of the PS 305;(2 A) power supply module to atypical operating conditions

If ...	... then ...	24 V DC LED
... the output circuit is overloaded: • $I > 3.9 \text{ A}$ (dynamic) • $3 \text{ A} < I \leq 3.9 \text{ A}$ (static)	Voltage dip, automatic voltage recovery Voltage drop, reduction of service life	Flashing
... short-circuit at the output	Output voltage 0 V; automatic voltage recovery after short-circuit is eliminated	off
overvoltage on primary side	risk of destruction	-
undervoltage on primary side	Automatic shutdown; automatic voltage recovery	off

## Technical specifications of the PS 305; 2 A (6AG1305-1BA80-2AA0)

Technical specifications	
<b>Dimensions and weight</b>	
Dimensions W x H x D (mm)	80 x 125 x 120
Weight	ca. 740 g
<b>Input parameters</b>	
Input voltage • Rated value • Voltage range	24/48/72/96/110 V DC 16.8 to 138 V DC
Rated input current • at 24 V • at 48 V • at 72 V • at 96 V • at 110 V	2.7 A 1.3 A 0.9 A 0.65 A 0.6 A
Inrush current (at 25 °C)	20 A
$I^2t$ (at inrush current)	5 A <sup>2</sup> s
<b>Output parameters</b>	
Output voltage • Rated value • Permitted range	24 V DC 24 V $\pm$ 3 %, open circuit-proof
• Rampup time	max. 3 s
Output current • Rated value	2 A; <sup>1)</sup> parallel connection supported
Short-circuit protection	electronic, non-latching, 1.65 to 1.95 x $I_N$
Residual ripple	max. 150 mV <sub>pp</sub>

Technical specifications	
<b>Characteristics</b>	
Safety class to IEC 536 (DIN VDE 0106, Part 1)	I, with protective conductor
Isolation rating	
• Rated isolation voltage (24 V to input)	150 V AC
• Test voltage	2800 V DC
Safety isolation	SELV circuit
Buffering of power supply failure (at 24/48/72/96/110 V)	> 10 ms
• Repeat rate	min. 1 s
Efficiency	75%
Power consumption	64 W
Power loss	16 W
<b>Diagnostics</b>	
"Output voltage present" display	yes, green LED

<sup>1)</sup> At a limited input voltage range > 24 V (24 to 138 V DC), PS 305 can be loaded to 3 A.

## 2.5 Power supply module PS 307; 5 A; (6AG1307-1EA80-2AA0)

### Order number "SIPLUS S7 module"

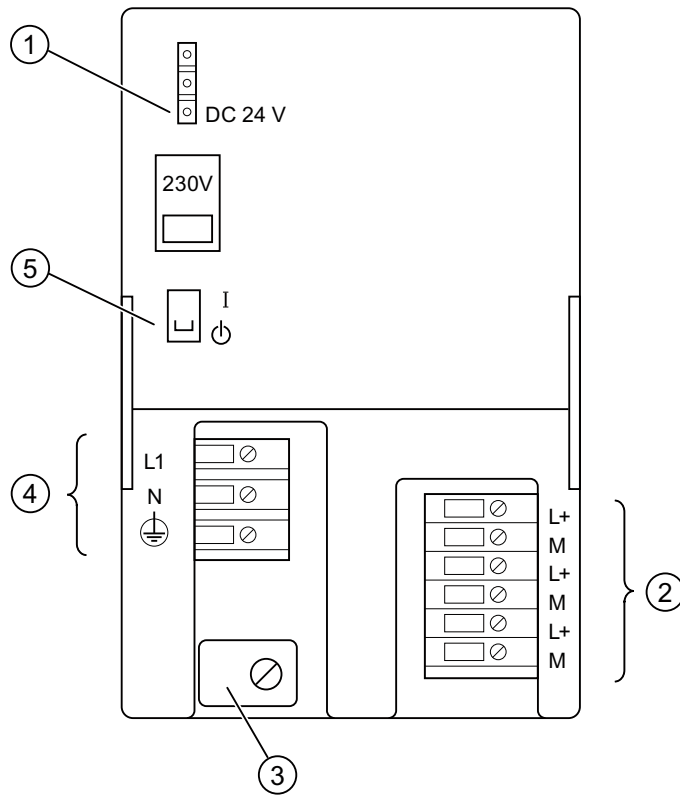
6AG1307-1EA80-2AA0

### Properties

Properties of the PS 307; 5 A power supply module:

- Output current 5 A
- Output voltage 24 V DC; short circuit-proof, open circuit-proof
- Connection to singlephase AC mains  
(rated input voltage 120/230 V AC, 50/60 Hz)
- safe electrical isolation in accordance with EN 60 950 (SELV)
- May be used as load power supply

**Wiring diagram of PS 307; 5 A**



- ① "24 V DC output voltage present" display
- ② Terminals for 24 V DC output voltage
- ③ Strain relief
- ④ Mains and protective conductor terminals
- ⑤ 24 V DC On/Off switch
- ⑥ Mains selector switch

**Schematic circuit diagram of PS 307; 5 A**

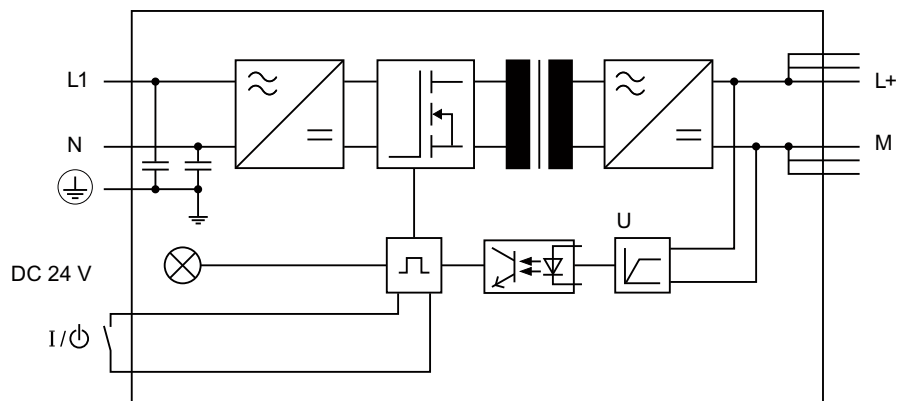


Figure 2-5 Schematic circuit diagram of power supply module PS 307; 5 A

## Line protection

To protect the mains supply line of the PS 307; 5 A power supply module, you should install a miniature circuit-breaker (for example Siemens 5SN1 series) of the following rating:

- Rated current at 230 V AC: 10 A
- Tripping characteristics (type): C.

## Reaction to atypical operating conditions

Table 2-5 Reaction of the PS 307; 5A power supply module to atypical operating conditions

If ...	... then ...	24 V DC LED
the output circuit is overloaded: <ul style="list-style-type: none"> <li>• <math>I &gt; 6.5</math> A (dynamic)</li> <li>• <math>5 \text{ A} &lt; I \leq 6.5</math> A (static)</li> </ul>	Voltage dip, automatic voltage recovery Voltage drop, reduction of service life	Flashing
short-circuit at the output	Output voltage 0 V; automatic voltage recovery after short-circuit is eliminated	off
overvoltage on primary side	risk of destruction	-
undervoltage on primary side	Automatic shutdown; automatic voltage recovery	off

## Technical specifications of the PS 307; 5 A (6AG1307-1EA80-2AA0)

Technical specifications	
<b>Dimensions and weight</b>	
Dimensions W x H x D (mm)	80 x 125 x 120
Weight	ca. 570 g
<b>Input parameters</b>	
Input voltage <ul style="list-style-type: none"> <li>• Rated value</li> </ul>	120/230 V DC
Mains frequency <ul style="list-style-type: none"> <li>• Rated value</li> <li>• Permitted range</li> </ul>	50 Hz or 60 Hz 47 Hz to 63 Hz
Rated input current <ul style="list-style-type: none"> <li>• at 120 V</li> <li>• at 230 V</li> </ul>	2.1 A 1.2 A
Inrush current (at 25 °C)	45 A
$I^2t$ (at inrush current)	1.8 A <sup>2</sup> s
<b>Output parameters</b>	
Output voltage <ul style="list-style-type: none"> <li>• Rated value</li> <li>• Permitted range</li> <li>• Rampup time</li> </ul>	24 V DC $24 \pm V 3 \%$ max. 3 s
Output current <ul style="list-style-type: none"> <li>• Rated value</li> </ul>	5 A; parallel wiring not supported
Short-circuit protection	electronic, non-latching $1.1$ to $1.3 \times I_N$
Residual ripple	max. 150 mV <sub>pp</sub>



<b>Technical specifications</b>	
<b>Characteristics</b>	
Safety class to IEC 536 (DIN VDE 0106, Part 1)	I, with protective conductor
Isolation rating <ul style="list-style-type: none"> <li>Rated isolation voltage (24 V to L1)</li> <li>Test voltage</li> </ul>	250 V AC 2800 V DC
Safety isolation	SELV circuit
Buffering of power supply failure (at 93 V or 187 V) <ul style="list-style-type: none"> <li>Repeat rate</li> </ul>	min. 20 ms min. 1 s
Efficiency	84 %
Power consumption	143 W
Power loss	23 W
<b>Diagnostics</b>	
"Output voltage present" display	yes, green LED

# Digital modules

## Chapter layout

Topical structure of this chapter:

1. Chapter overview of which modules are available and described here
2. Overview of essential module properties
3. Steps in selecting and commissioning the digital module
4. General information, i.e. global data applicable to all digital modules (parameter assignment and diagnostics, for example)
5. Module-specific information (properties, connection and block diagrams, technical data and special features of the module):
  - a) for digital input modules
  - b) for digital output modules
  - c) for relay output modules
  - d) for digital IO modules

## Installation and wiring

For information on installation and wiring, refer to the S7-300, CPU 31xC, and CPU 31x Operating Instructions: Installation. The operating instructions are available on the Internet (<http://support.automation.siemens.com/WW/view/en/13008499>).

## Further information

The structure of parameter sets (data records 0, 1 and 128) is described in the system data section of the appendix. You must be familiar with this structure if you want to modify module parameters in the STEP 7 user program.

The structure of diagnostic data (data records 0 and 1) is described in the system data section of the appendix. You must be familiar with this structure if you want to analyze diagnostics data of the modules in the STEP 7 user program.

## See also

[Principles of programming signal modules in the user program \(Page 433\)](#)

[Evaluating diagnostic data of signal modules in the user program \(Page 484\)](#)

## 3.1 Module overview

### Introduction

The tables below summarize the essential properties of the digital modules. This overview supports you in selecting a module to suit your requirements.

### 3.1.1 Digital input modules:

#### Overview of properties

The table below shows essential properties of the digital input modules

Table 3-1 Digital input modules:

Properties	Module			
	SM 321; DI 64 x 24V; Sink- ing/Sourcing	SM 321; DI 32 x DC24V	SM 321; DI 32 x AC120V	SM 321; DI 16 x DC24V
	(-1BP00-)	(-1BL00-)	(-1EL00-)	(-1BH02-)
Number of inputs	64 DO; isolated in groups of 16	32 DI; isolated in groups of 16	32 DI; isolated in groups of 8	16 DI; isolated in groups of 16
Rated input voltage	24 VDC	24 VDC	120 VAC	24 VDC
Suitable for...	-	2-wire, 3-wire and 4-wire proximity switches (BEROs)		
Supports isochronous mode	No	No	No	No
Programmable diagnostics	No	No	No	No
Diagnostic interrupt	No	No	No	No
Edge-triggered hardware interrupt	No	No	No	No
Adjustable input delays	No	No	No	No
Special features	-	-	-	-

Table 3-2 Digital input modules (continued)

Properties	Module				
	SM 321; DI 16 x DC24V High Speed	SM 321; DI 16 x DC24V with process and diagnostic inter- rupts	SM 321; DI 16 x DC 24V/125V with process and diagnostic inter- rupts	SM 321; DI 16 x DC24V; source input	SM 321; DI 16 x UC24/48V
	(-1BH10-)	(-7BH01-)	(-7EH00-)	(-1BH50-)	(-1CH00-)
Number of inputs	16 DI; electrically isolated in groups of 16	16 DI; electrically isolated in groups of 16	16 DI; isolated in groups of 16	16 DI, source input, electrically isolated in groups of 16	16 DI; isolated in groups of 1
Rated input voltage	24 VDC	24 VDC	24 VDC - 125 VDC	24 VDC	24 VDC to 48 VDC 24 VAC to 48 VAC
Suitable for...	Switches; 2-wire, 3-wire and 4-wire proximity switches (BEROs)				
Supports isochronous mode	Yes	Yes	No	No	No
Programmable diagnostics	No	Yes	Yes	No	No
Diagnostic interrupt	No	Yes	Yes	No	No

3.1 Module overview

Properties	Module				
	SM 321; DI 16 x DC24V High Speed	SM 321; DI 16 x DC24V with process and diagnostic inter- rupts	SM 321; DI 16 x DC 24V/125V with process and diagnostic inter- rupts	SM 321; DI 16 x DC24V; source input	SM 321; DI 16 x UC24/48V
	(-1BH10-)	(-7BH01-)	(-7EH00-)	(-1BH50-)	(-1CH00-)
Edge-triggered hardware interrupt	No	Yes	Yes	No	No
Adjustable input delays	No	Yes	Yes	No	No
Special features	Fast module; especially for isochronous mode	2 short-circuit-proof sensor supplies for 8 channels each; External redundant sensor supply is supported	---	---	---

Table 3-3 Digital input modules (continued)

Properties	Module				
	SM 321; DI 16 x DC48-125V	SM 321; DI 16 x AC120/230 V	SM 321; DI 16 x NAMUR	SM 321; DI 8 x AC 120/230V	SM 321; DI 8 x AC 120/230 V ISOL
	(-1CH20-)	(-1FH00-)	(-7TH00-)*	(-1FF01-)	(-1FF10-)
Number of inputs	16 DI; isolated in groups of 4	16 DI; isolated in groups of 4	16 DI; isolated in groups of 2	8 DI; isolated in groups of 2	8 DI; isolated in groups of 2
Rated input voltage	120/230 VAC	120/230 VAC	24 VDC	120/230 VAC	120/230 VAC
Suitable for...	Switches; 2-wire, 3-wire and 4-wire proximity switches (BEROs)	Switches; 2-wire / 3-wire AC proximity switches	NAMUR encoder	Switches; 2-wire / 3-wire AC proximity switches	
Supports isochronous mode	No	No	No	No	No
Programmable diagnostics	No	No	No	No	No
Diagnostic interrupt	No	No	Yes	No	No
Edge-triggered hardware interrupt	No	No	No	No	No
Adjustable input delays	No	No	No	No	No
Special features	---	---	Module with single channel diagnostics and extensive control functions	---	---

\* This module is described in the ET 200M Signal Modules for Process Automation manual. You can find the manual on the Internet (<http://support.automation.siemens.com/WW/view/en/7215812>).

### 3.1.2 Digital output modules

#### Overview of properties

The table below shows the essential properties of the digital output modules

Table 3-4 Digital output modules

Properties	Module				
	SM 322; DO 64 x DC24V/0,3A Sourcing (-1BP00-)	SM 322; DO 64 x DC 24V/0,3A Sinking (-1BP50-)	SM 322; DO 32 x DC24V/0,5A (-1BL00-)	SM 322; DO 32 x AC120/230V/1A (-1FL00-)	SM 322; DO 16 x DC24V/0,5A (-1BH01-)
Number of outputs	64 DO; isolated in groups of 16	64 DO; isolated in groups of 16	32 DO; isolated in groups of 8	32 DO; isolated in groups of 8	16 DO; isolated in groups of 8
Output current	0.3 A	0.3 A	0.5 A	1.0 A	0.5 A
Rated load voltage	24 V DC	24 V DC	24 V DC	24 V DC	24 V DC
Suitable for...	solenoid valves, DC contactors and signal lamps				
Supports isochronous mode	no	no	No	No	No
Programmable diagnostics	No	No	No	No	no
Diagnostic interrupt	No	No	No	No	No
Substitute value output	No	No	No	No	No
Special features	-				

Table 3-5 Digital output modules (continued)

Properties	Module				
	SM 322; DO 16 x DC24V/0,5A High Speed (-1BH10-)	SM 322; DO 16 x UC24/48 V (-5GH00-)	SM 322; DO 16 x AC120/230V/1A (-1FH00-)	SM 322; DO 16 x DC24V/0,5A (-8BH00-)* (-8BH01-)* (-8BH10-)	SM 322; DO 8 x DC24V/2A (-1BF01-)
Number of outputs	16 DO; isolated in groups of 8	16 DO; isolated in groups of 1	16 DO; isolated in groups of 8	16 DO; isolated in groups of 4	8 DO; isolated in groups of 4
Output current	0.5 A	0.5 A	1 A	0.5 A	2 A
Rated load voltage	24 V DC	24 to 48 V DC 24 to 48 V AC	120/230 V AC	24 V DC	24 V DC
Suitable for...	solenoid valves, DC contactors and signal lamps				
Supports isochronous mode	Yes	no	no	no	no
Programmable diagnostics	No	Yes	no	yes	no
Diagnostic interrupt	no	Yes	No	Yes	No
Substitute value output				Yes	No
Special features	Fast module; especially for isochronous mode	-	-	Redundant load control is supported; extensive control functions	-

3.1 Module overview

Table 3-6 Digital output modules (continued)

Properties	Module			
	SM 322; DO 8 x DC24V/0,5A with diagnostics interrupt (-8BF00-)	SM 322; DO 8 x DC48-125V/1,5A (-1CF00-)	SM 322; DO 8 x AC120/230 V/2A (-1FF01-)	SM 322;DO 8 x AC120/230 V/ 2A ISOL (-5FF00-)
Number of outputs	8 DO; isolated in groups of 8	8 DO; electrically isolated in groups of 4, with reverse polarity protection	8 DO; isolated in groups of 4	8 DO; isolated in groups of 1
Output current	0.5 A	1.5 A	2 A	2 A
Rated load voltage	24 V DC	48 to 125 V DC	120/230 V AC	120/230 V AC
Suitable for...	solenoid valves, DC contactors and signal lamps		AC solenoid valves, contactors, motor starters, FHP motors and signal lamps.	
Supports isochronous mode	No	No	No	No
Programmable diagnostics	Yes	No	no	yes
Diagnostic interrupt	Yes	No	no	yes
Substitute value output	Yes	No	no	yes
Special features	Redundant load control is supported	-	Fuse blown display. Replaceable fuse for each group	-

\* This module is described in the ET 200M Signal Modules for Process Automation manual. You can find the manual on the Internet (<http://support.automation.siemens.com/WW/view/en/7215812>).

3.1.3 Relay output modules

Overview of properties

The table below shows the essential properties relay output modules

Table 3-7 Relay output modules

Properties	Module			
	SM 322; DO 16 x Rel. AC 120 V (-1HH01-)	SM 322; DO 8 x Rel. AC 230 V (-1HF01-)	SM 322; DO 8 x Rel. AC 230 V/ 5 A (-5HF00-)	SM 322; DO 8 x Rel. AC 230 V/ 5 A (-1HF10-)
Number of outputs	16 outputs, electrically isolated in groups of 8	8 outputs, electrically isolated in groups of 2	8 outputs, electrically isolated in groups of 1	8 outputs, electrically isolated in groups of 1
Rated load voltage	24 VDC to 120 VDC, 48 VAC to 230 VAC	24 VDC to 120 VDC, 48 VAC to 230 VAC	24 VDC to 120 VDC, 24 VAC to 230 VAC	24 VDC to 120 VDC, 48 VAC to 230 VAC
Suitable for...	AC/DC solenoid valves, contactors, motor starters, FHP motors and signal lamps			
Supports isochronous mode	no	no	no	no
Programmable diagnostics function	no	no	yes	no

Properties	Module			
	SM 322; DO 16 x Rel. AC 120 V (-1HH01-)	SM 322; DO 8 x Rel. AC 230 V (-1HF01-)	SM 322; DO 8 x Rel. AC 230 V/ 5 A (-5HF00-)	SM 322; DO 8 x Rel. AC 230 V/ 5 A (-1HF10-)
Diagnostics interrupt	no	no	yes	no
Substitution value output	no	no	yes	no
Special features	-			

### 3.1.4 Digital IO modules

#### Overview of properties

The table below shows the essential properties of digital IO modules

Table 3-8 Digital IO modules

Properties	Module		
	SM 323; DI 16/DO 16 x DC 24 V/ 0,5 A (-1BL00-)	SM 323; DI 8/DO 8 x DC 24 V/0,5 A (-1BH01-)	SM 327; DI 8/DX 8 x DC 24 V/0,5 A, Programmable (-1BH00-)
Number of inputs	16 inputs, electrically isolated in groups of 16	8 inputs, electrically isolated in groups of 8	8 digital inputs, plus 8 separately programmable inputs/outputs, electrically isolated in groups of 16
Number of outputs	16 outputs, electrically isolated in groups of 8	8 outputs, electrically isolated in groups of 8	
Rated input voltage	24 VDC	24 VDC	24 VDC
Output current	0.5 A	0.5 A	0.5 A
Rated load voltage	24 VDC	24 VDC	24 VDC
Inputs suitable for...	Switches and 2-/3-/4-wire proximity switches (BEROs).		
Outputs suitable for...	solenoid valves, DC contactors and signal lamps		
Supports isochronous mode	no	no	no
Programmable diagnostics	no	no	no
Diagnostic interrupt	no	no	no
Edge-triggered hardware interrupt	no	no	no
Programmable input delay	no	no	no
Substitution value output	no	no	no
Special features	-		8 individually configurable input or outputs; Reading back of inputs is possible, for example, for diagnoses

## 3.2 Steps in selecting and commissioning the digital module

### Introduction

The table below contains the steps required to successfully complete commission of digital modules.

You do not strictly have to adhere to this suggested sequence, that is, you can complete other tasks such as installing or commissioning other modules, or program the module at an earlier or later time.

### Step sequence

Table 3-9 Steps in selecting and commissioning the digital module

Step	Procedure	See...
1.	Selecting the module	Chapter Modules overview <a href="#">(Page 46)</a> and the specific module chapter
2.	Installing the module in the SIMATIC S7 system	<i>Installation</i> chapter in the relevant AS Installation Manual: <ul style="list-style-type: none"> <li>S7-300 Automation System, Hardware and Installation, or S7-400 / M7-400 Automation System, Hardware and Installation</li> <li>or</li> <li>Distributed I/O Device ET 200M</li> </ul>
3.	Assigning module parameters	Chapter Diagnostics of digital modules <a href="#">(Page 53)</a>
4.	Commission the configuration	<i>Commissioning</i> chapter in the relevant installation manual: of the AS used: <ul style="list-style-type: none"> <li>S7-300 Automation System, Hardware and Installation, or S7-400 / M7-400 Automation System, Hardware and Installation</li> <li>or</li> <li>ET 200M distributed I/O device</li> </ul>
5.	Analysis the configuration if commissioning was not successful.	Chapter Diagnostics of digital modules <a href="#">(Page 53)</a>

### See also

[Programming digital modules \(Page 52\)](#)

[Parameters of digital output modules \(Page 437\)](#)

[Module overview \(Page 46\)](#)

## 3.3 Programming digital modules

### Introduction

Digital modules may have different properties. You can program the properties of certain modules.

All information in this chapter applies only to programmable digital modules:

- Digital input module SM 321; DI 16 x DC 24 V with process and diagnostic interrupts, isochronous; (6ES7321-7BH01-0AB0)
- Digital input module SM 321; DI 16 x DC 24 V/125 V with process and diagnostic interrupts (6ES7321-7EH00-0AB0)



- Digital output module SM 322; DO 16 x DC 24 V/0,5 A (6ES7322-8BH10-0AB0)
- Digital output module SM 322; DO 8 x DC 24 V/0,5 A with diagnostic interrupt (6ES7322-8BF00-0AB0)
- Digital output module SM 322; DO 8 x AC120/230 V /2A ISOL (6ES7322-5FF00-0AB0)
- Digital output module SM 322; DO 8 x Rel. AC230V /5A (6ES7322-5HF00-0AB0)
- Digital input/output module SM 327; DI 8/DO 8 x DC 24 V/0,5 A (6ES7327-1BH00-0AB0)

### Programming tools

Only program the digital modules in STEP 7 while the CPU is in STOP.

After you defined all parameters, download these from your PG to the CPU. During its STOP → RUN transition, the CPU transfers the parameters to the relevant digital modules.

### Static and dynamic parameters

Parameters are organized by static and dynamic properties.

Set the static parameters while the CPU is in STOP, as described earlier.

You may also edit dynamic parameters in the active user program of an S7 PLC using SFCs. However, the parameters set in STEP 7 will be applied again after a RUN → STOP, STOP → RUN transition of the CPU. The appendix Parameter sets of the signal modules [\(Page 433\)](#) describes the assignment of module parameters in the user program.

Parameters	programmable using	CPU operating state
static	PG (STEP 7 HW CONFIG)	STOP
dynamic	PG (STEP 7 HW CONFIG)	STOP
	SFC55 in the user program	RUN

### Parameters of digital modules

Information on programmable parameters is available in the module-specific chapter.

### See also

[Parameters of digital IO modules \(Page 434\)](#)

## 3.4 Diagnostics of digital modules

### Introduction

The information provided in this chapter applies only to S7-300 digital modules with diagnostics functions.

- Digital input module SM 321; DI 16 x DC 24 V with process and diagnostic interrupts, isochronous; (6ES7321-7BH01-0AB0)
- Digital input module SM 321; DI 16 x DC 24 V/125 V with process and diagnostic interrupts (6ES7321-7EH00-0AB0)
- Digital output module SM 322; DO 16 x UC 24/48 V (6ES7322-5GH00-0AB0)
- Digital output module SM 322; DO 16 x DC 24 V/0,5 A (6ES7322-8BH10-0AB0)

### 3.5 How to protect digital modules from inductive overvoltage

- Digital output module SM 322; DO 8 x DC 24 V/0,5 A with diagnostic interrupt (6ES7322-8BF00-0AB0)
- Digital output module SM 322; DO 8 x AC120/230 V /2A ISOL (6ES7322-5FF00-0AB0)
- Digital output module SM 322; DO 8 x Rel. AC230V /5A (6ES7322-5HF00-0AB0)

#### Programmable and non-programmable diagnostics messages

We distinguish between programmable and non-programmable diagnostics messages. You only obtain programmable diagnostics messages if you have enabled diagnostics at the relevant parameters. Program the "Diagnostics" parameter block in STEP 7. Digital modules always return non-programmable diagnostics messages, irrespective of diagnostics being enabled.

#### Reactions to diagnostics message in STEP 7

Actions initiated by diagnostics messages:

- The diagnostics message will be entered in the diagnostics data of the digital module, and is then passed to the CPU.
- The SF LED on the digital module is lit.
- When "Enable Diagnostics Interrupt" is set in STEP 7, the system triggers a diagnostics interrupt and calls OB82.

#### Reading diagnostics messages

You can read detailed diagnostics messages using SFCs in the user program (refer to the appendix Diagnostics data of signal modules [\(Page 484\)](#)).

In STEP 7, you can view the cause of error by reading the module diagnostics data (refer to the STEP 7 Online Help.)

#### Diagnostics message using the SF LED    See group error LED

Digital modules with diagnostics function indicate errors at their SF LED (group error LED.) The SF LED lights up when the digital module generates a diagnostics message. It goes dark after all error states are cleared.

The SF LED also lights up to indicate external errors (short-circuit at the sensor supply), regardless of the CPU operating state (at POWER ON.)

#### Diagnostics messages and interrupt processing of digital modules

For information on diagnostics messages, their possible causes, troubleshooting measures, and possible interrupts refer to the specific module chapter.

## 3.5 How to protect digital modules from inductive overvoltage

### Inductive overvoltage

Overvoltage occurs when an inductance is deactivated. Examples of this are relay coils and contactors.

### Integrated overvoltage protection

The digital output modules of S7-300 have integrated overvoltage protection equipment.

### Extra overvoltage protection

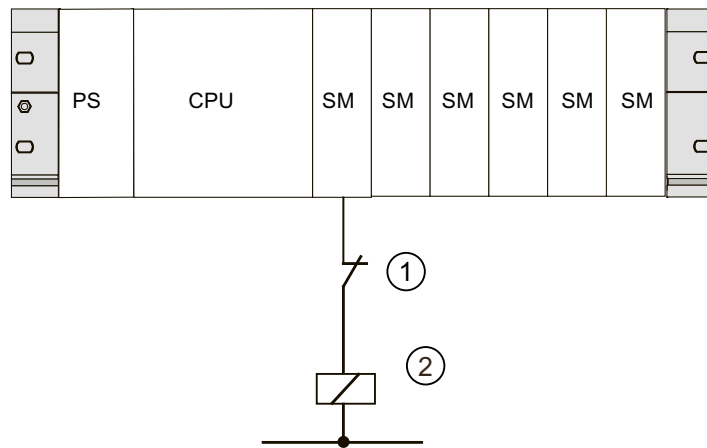
Inductances should only be configured with extra overvoltage protection equipment in the following instances:

- If SIMATIC output current circuits can be deactivated by extra fitted contacts (e.g. relay contacts).
- If the inductive reactances are not activated by SIMATIC modules.

Note: Ask the suppliers of inductive reactances what size of overvoltage protection equipment should be used.

### Example

The following diagram shows an output current circuit which make extra overvoltage protection equipment necessary.

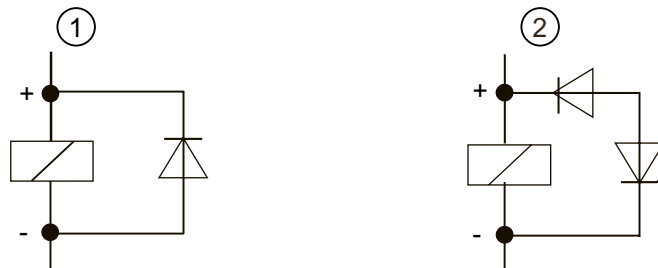


- ① Contact in output current circuit
- ② Inductive reactance needs a protective circuit

Figure 3-1 Relay contact for emergency stop in output current circuit

### Configuration of coils operated with direct current

Coils operated with direct current are shown in the following diagram and configured with diodes or Z diodes.



- ① with diode
- ② with Z diode

Figure 3-2 Configuration of coils operated with direct current

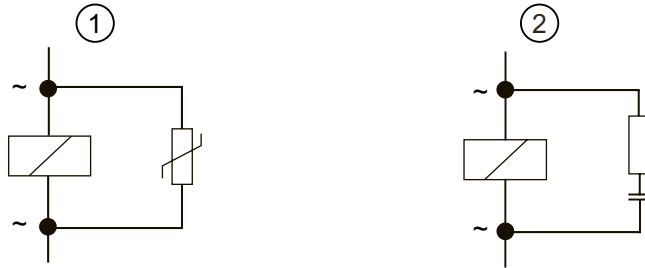
Properties of the diode/Z diode circuit:

- Cut-off currents can be avoided. Z diode withstands a higher cut-off voltage.
- High cut-off delay (6 to 9 times higher compared to non-protective circuits).

Faster cut-off of the Zener diode compared to the diode circuit.

### Connection of AC-operated coils

The operation of AC coils with varistors or RC elements is shown in the diagram.



- ① with varistor
- ② with RC element

Figure 3-3 Connection of AC-operated coils

Properties of a circuit with varistor:

- The amplitude of the cut-off current is limited but not attenuated.
- The steepness of the overvoltage remains the same.
- Low cut-off delay.

Properties of a circuit with RC elements:

- Reduction of the amplitude and steepness of the cut-off current.
- Low cut-off delay.

## 3.6 Digital input module SM 321; DI 64 x DC 24 V, sinking/sourcing; (6ES7321-1BP00-0AA0)

### Order number

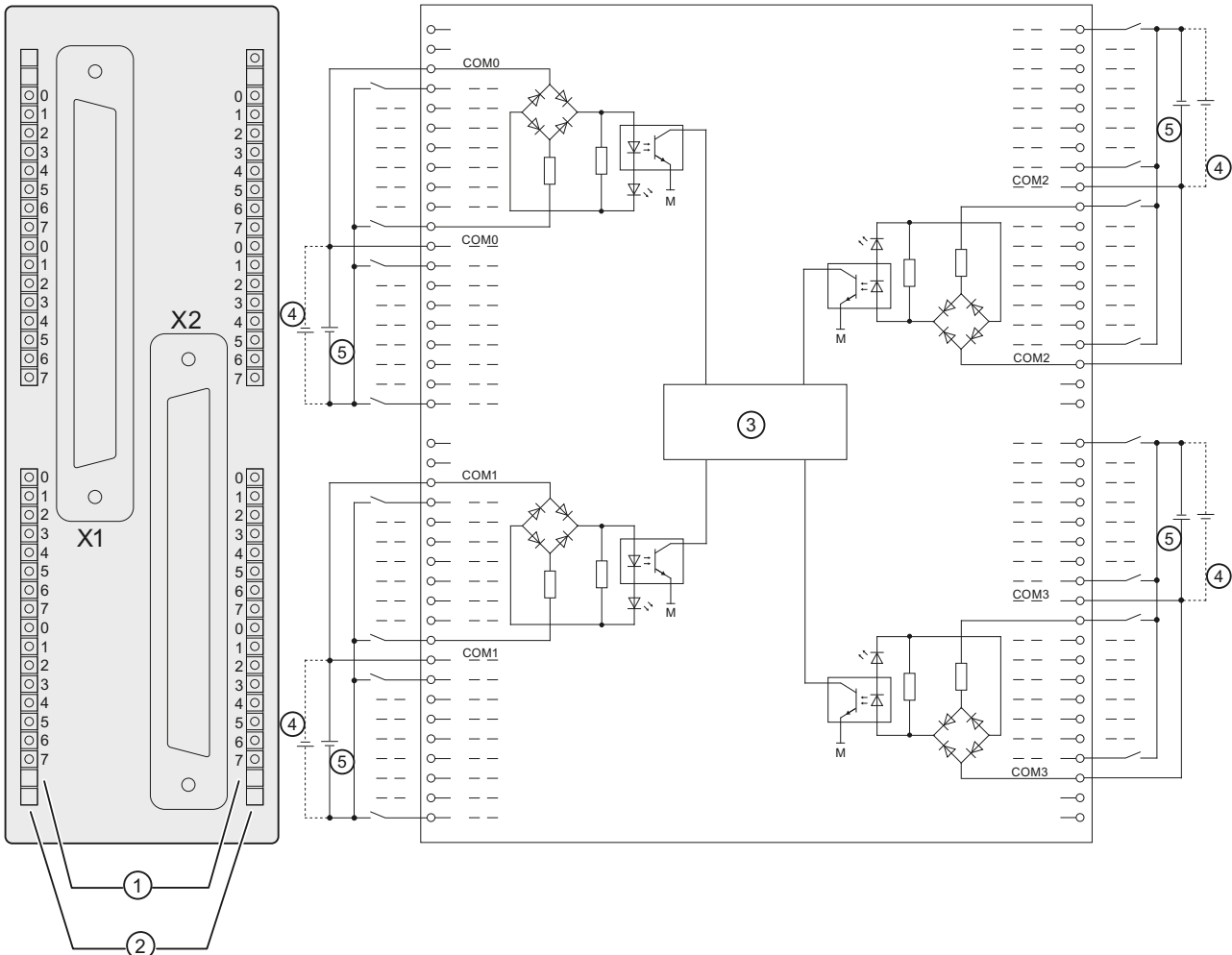
6ES7321-1BP00-0AA0

### Properties

Properties of SM 321; DI 64 x DC 24 V, Sinking/Sourcing:

- 64 inputs, isolated in 4 groups of 16
- Rated input voltage 24 V DC

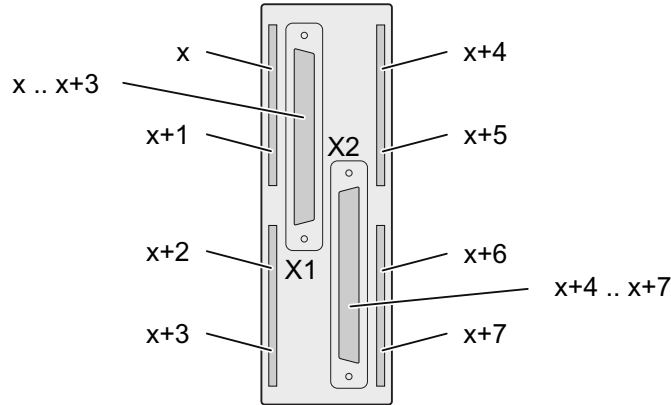
**Wiring and block diagram of SM 321; DI 64 x DC 24 V, Sinking/Sourcing**



- ① Channel number
- ② Status display - green
- ③ Backplane bus interface
- ④ Terminal for "sinking" operating mode
- ⑤ Terminal for "sourcing" operating mode

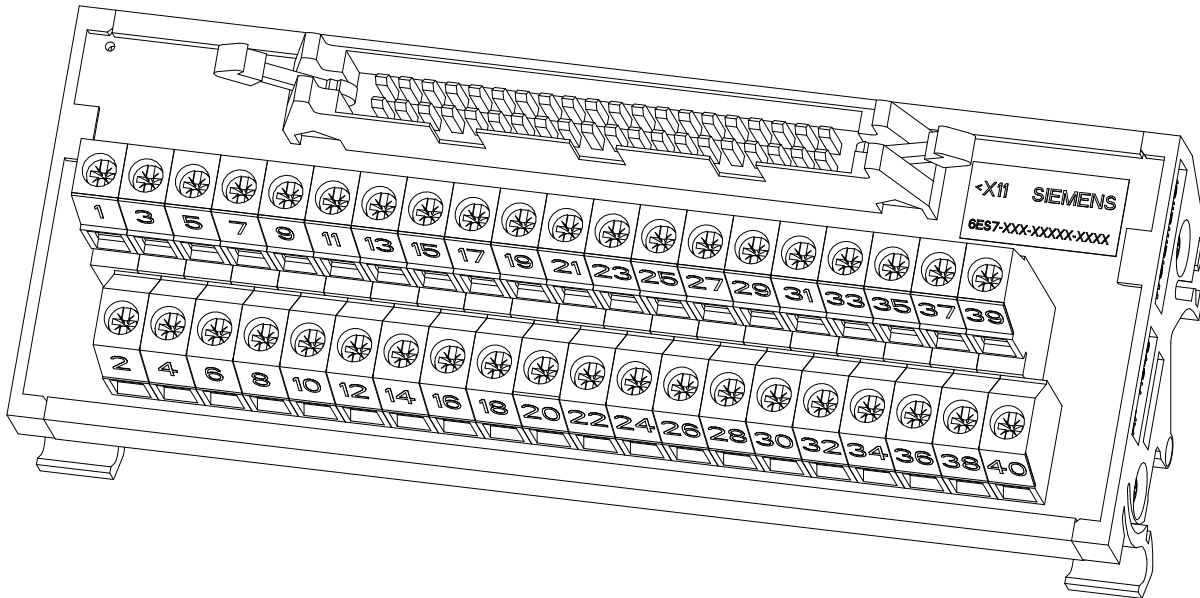
### Terminal assignment of SM 321; DI 64 x DC 24 V, Sinking/Sourcing

The figure below shows how channels are assigned to addresses (input byte x up to input byte x+7).



### 40-pin terminal block

SM321; DI 64 X DC 24 V Sinking/Sourcing features two terminal blocks for connecting actuators and sensors to the module front connector. A connecting cable is used to establish the module connections.



The table below shows how channel terminals are assigned to the terminal block for module SM321; DI 64 X DC 24 V Sinking/Sourcing.

Terminal	Function	Terminal	Function
1	I x.0	2	I x+2.0
3	I x.1	4	I x+2.1
5	I x.2	6	I x+2.2
7	I x.3	8	I x+2.3
9	I x.4	10	I x+2.4

## 3.6 Digital input module SM 321; DI 64 x DC 24 V, sinking/sourcing; (6ES7321-1BP00-0AA0)

Terminal	Function		Terminal	Function
11	I x.5		12	I x+2.5
13	I x.6		14	I x+2.6
15	I x.7		16	I x+2.7
17	COM 0		18	COM 1
19	I x+1.0		20	I x+3.0
21	I x+1.1		22	I x+3.1
23	I x+1.2		24	I x+3.2
25	I x+1.3		26	I x+3.3
27	I x+1.4		28	I x+3.4
29	I x+1.5		30	I x+3.5
31	I x+1.6		32	I x+3.6
33	I x+1.7		34	I x+3.7
35	COM 0		36	COM 1
37	Not connected		38	Not connected
39	Not connected		40	Not connected

**NOTE**

The COM x terminals must be connected on the terminal block.

**Technical specifications of SM 321; DI 64 x DC 24 V, Sinking/Sourcing**

Technical specifications	
<b>Dimensions and weight</b>	
Dimensions (W x H x D) (mm)	40 x 125 x 112 (including protective barrier, required for connections which are not in use)
Weight	ca. 230 g
<b>Module-specific data</b>	
Supports isochronous mode	No
Number of inputs	64
Cable length <ul style="list-style-type: none"> <li>Unshielded</li> <li>Shielded</li> </ul>	max. 600 m max. 1000 m
<b>Voltages, currents, electrical potentials</b>	
Number of simultaneously controlled inputs <ul style="list-style-type: none"> <li>Horizontal installation <ul style="list-style-type: none"> <li>to 40 °C</li> <li>to 60 °C</li> </ul> </li> <li>Vertical installation <ul style="list-style-type: none"> <li>to 40 °C</li> </ul> </li> </ul>	64 32 (50% derating per group)  32 (50% derating per group)

Technical specifications	
Electrical isolation <ul style="list-style-type: none"> <li>• between channels and the backplane bus</li> <li>• Between channels in groups of</li> </ul>	Yes Yes 16
Isolation test voltage	500 VDC
Current consumption <ul style="list-style-type: none"> <li>• from the backplane bus</li> </ul>	Max. <100 mA
Power loss of the module	Typ. 7 W
Status, interrupts, diagnostics	
Status display	Green LED (per channel)
Interrupts	none
Diagnostic functions	none
Encoder selection data	
Input voltage <ul style="list-style-type: none"> <li>• Rated value</li> <li>• "1" signal</li> <li>• "0" signal</li> </ul>	24 V DC -13 V to -30 V, 13 V to 30 V - 5 V to + 5 V
Input current <ul style="list-style-type: none"> <li>• "1" signal</li> </ul>	Typ. 4.2 mA
Input delay <ul style="list-style-type: none"> <li>• "0" to "1" transition</li> <li>• "1" to "0" transition</li> </ul>	1.2 ms to 4.8 ms 1.2 ms to 4.8 ms
Input characteristics	to IEC 61131, type 1
Connection of 2-wire BEROs	not supported
Input type	Sinking/sourcing input
Wiring of the signal transmitters	Two 40-pin terminal blocks

### STEP 7 integration

64-channel I/O modules are integrated with the HSP 2019 V 1.0. The HSP forms part of STEP 7 V 5.4 SP2 and can be installed from STEP 7 V 5.4 and higher.

### GSD/GSDML files

The 64-channel I/O modules are supported by the ET 200M versions listed below. Download the corresponding GSD/GSDML files from the following link: on the Internet (<http://www.siemens.com/automation/service>).

- To search for PROFIBUS GSD files, type in the entry ID 113498.
- To search for PROFINET GSDML files, type in the entry ID: 25057900.

### PROFIBUS

- IM 153-1, as of 6ES7153-1AA03-0XB0, E12 with GSD file SI01801D.\*, version V 1.5
- IM 153-2, as of 6ES7153-2BA02-0XB0, E01 with GSD file SI04801E.\*, version V 1.0



**PROFINET**

- IM 153-4 PN, as of 6ES7153-4AA00-0XB0 with GSDML file version V 2.1

**Using the module in S7-300 and ET 200M**

If the station is configured with STEP 7, you can use the SM 321 digital input module with all CPUs in the following tables. Startup cannot be performed if no configuration is loaded.

C-CPU (compact CPUs)	Order number
CPU 312C	6ES7312-5BD0x-0AB0
	6ES7312-5BE03-0AB0
	6ES7312-5BF04-0AB0
CPU 313C	6ES7313-5BE0x-0AB0
	6ES7313-5BF03-0AB0
	6ES7313-5BG04-0AB0
CPU 313C-2 DP	6ES7313-6CE0x-0AB0
	6ES7313-6CF03-0AB0
	6ES7313-6CG04-0AB0
CPU313C-2 PtP	6ES7313-6BE0x-0AB0
	6ES7313-6BF03-0AB0
	6ES7313-6BG04-0AB0
CPU 314C-2 DP	6ES7314-6CF0x-0AB0
	6ES7314-6CG03-0AB0
	6ES7314-6CH04-0AB0
CPU 314C-2 PtP	6ES7314-6BF0x--0AB0
	6ES7314-6BG03--0AB0
	6ES7314-6BH04-0AB0
CPU314C-2 PN/DP	6ES7314-6EH04-0AB0

M-CPU	Order number
CPU 312	6ES7312-1AD1x-0AB0
	6ES7312-1AE13-0AB0
	6ES7312-1AE14-0AB0
CPU 314	6ES7314-1AF1x-0AB0
	6ES7314-1AG13-0AB0
	6ES7314-1AG14-0AB0
CPU 315-2 DP	6ES7315-2AF0x-0AB0
	6ES7315-2AG10-0AB0
	6ES7315-2AH14-0AB0
CPU 316-2 DP	6ES7316-2AG00-0AB0
CPU 317-2 DP	6ES7317-2AJ10-0AB0
	6ES7317-2AK14-0AB0

3.6 Digital input module SM 321; DI 64 x DC 24 V, sinking/sourcing; (6ES7321-1BP00-0AA0)

M-CPU	Order number
CPU 315-2 PN/DP	6ES7315-2EG10-0AB0
	6ES7315-2EH13-0AB0
	6ES7315-2EH14-0AB0
CPU 317-2 PN/DP	6ES7317-2EJ10-0AB0
	6ES7317-2EK13-0AB0
	6ES7317-2EK14-0AB0
CPU 319-3 PN/DP	6ES7318-3EL00-0AB0
	6ES7318-3EL01-0AB0

F-CPU	Order number
CPU 315F-2 DP	6ES7315-6FF0x-0AB0
CPU 317F-2 DP	6ES7317-6FF0x-0AB0
CPU 315F-2 PN/DP	6ES7315-2FH1x-0AB0
	6ES7315-2FJ14-0AB0
CPU 317F-2 PN/DP	6ES7317-2FJ10-0AB0
	6ES7317-2FK13-0AB0
	6ES7317-2FK14-0AB0
CPU 319F-3 PN/DP	6ES7318-3FL00-0AB0
	6ES7318-3FL01-0AB0

T-CPU	Order number
CPU 315T-2 DP	6ES7315-6TG10-0AB0
CPU315T-3 PN/DP	6ES7315-7TJ10-0AB0
CPU 317T-2 DP	6ES7317-6TJ10-0AB0
CPU317TF-2 DP	6ES7317-6TF14-0AB0
CPU317T-3 PN/DP	6ES7317-7TK10-0AB0
CPU317TF-3 PN/DP	6ES7317-7UL10-0AB0

## 3.7 Digital input module SM 321; DI 32 x DC 24 V; (6ES7321-1BL00-0AA0)

C7-CPU's	Order number
C7-613	6ES7613-1CA01-0AE3
C7-635 Touch	6ES7635-2EB01-0AE3
C7-635 Key	6ES7635-2EC01-0AE3
C7-636 Touch	6ES7636-2EB00-0AE3
C7-636 Key	6ES7636-2EC00-0AE3

<p><b>⚠ WARNING</b></p> <p><b>Use of the module</b></p> <p>This module must be configured in a STEP 7 project in which the correct address assignment and allocation of the input/output point is ensured. Using the module without having first carried out this configuration work can lead to machines or processes operating in an unexpected manner.</p> <p>If machines or processes do run in an unexpected manner, this can result in death, serious injury, and/or material damage.</p>
---

### 3.7 Digital input module SM 321; DI 32 x DC 24 V; (6ES7321-1BL00-0AA0)

Order number: "Standard module"

6ES7321-1BL00-0AA0

Order number: "SIPLUS S7-300 module"

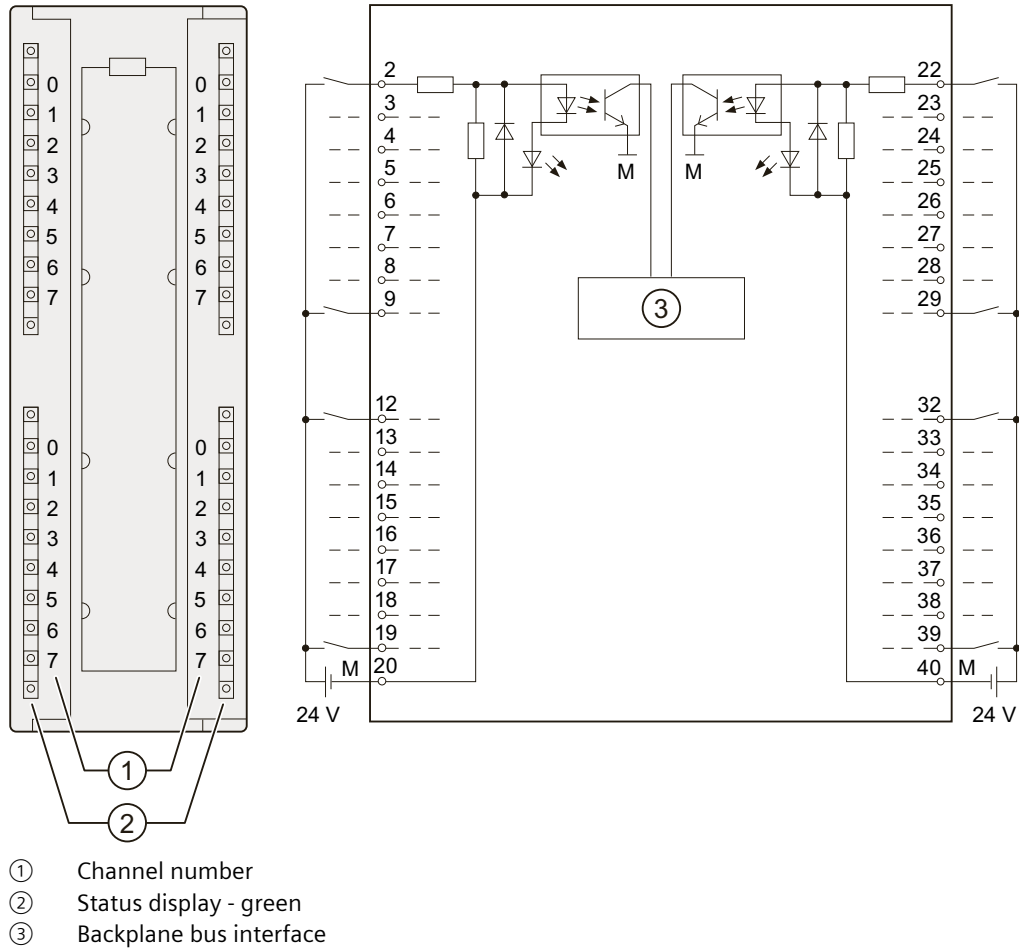
6AG1321-1BL00-2AA0

#### Properties

Properties of SM 321; DI 32 x DC 24 V:

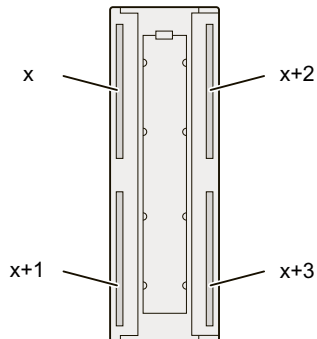
- 32 inputs, isolated in groups of 16
- Rated input voltage 24 V DC
- Suitable for switches and 2-/3-/4-wire proximity switches (BEROs)

**Wiring and block diagram of SM 321; DI 32 x DC 24 V**



**Terminal assignment of SM 321; DI 32 x DC 24 V**

The figure below shows how channels are assigned to addresses (input byte x up to input byte x+3).



**Technical specifications of SM 321; DI 32 x DC 24 V**

<b>Technical specifications</b>	
<b>Dimensions and weight</b>	
Dimensions W x H x D (mm)	40 x 125 x 120
Weight	ca. 260 g
<b>Module-specific data</b>	
Supports isochronous mode	No
Number of inputs	32
Cable length <ul style="list-style-type: none"> <li>• Unshielded</li> <li>• Shielded</li> </ul>	Max. 600 m Max. 1000 m
Front connector	40-pin
<b>Voltages, currents, potentials</b>	
Number of simultaneously controlled inputs <ul style="list-style-type: none"> <li>• Horizontal mounting position <ul style="list-style-type: none"> <li>to 40 °C</li> <li>to 60 °C</li> </ul> </li> <li>• Vertical arrangement <ul style="list-style-type: none"> <li>to 40 °C</li> </ul> </li> </ul>	32 16 32
Electrical isolation <ul style="list-style-type: none"> <li>• between channels and the backplane bus</li> <li>• Between channels <ul style="list-style-type: none"> <li>– in groups of</li> </ul> </li> </ul>	yes Yes 16
Isolation test voltage	500 V DC
Current consumption <ul style="list-style-type: none"> <li>• From the backplane bus</li> </ul>	Max. 15 mA
Power loss of the module	Typ. 6.5 W
<b>Status, interrupts, diagnostics</b>	
Status display	Green LED per channel
Interrupts	None
Diagnostic functions	None
<b>Encoder selection data</b>	
Input voltage <ul style="list-style-type: none"> <li>• Rated value</li> <li>• "1" signal</li> <li>• "0" signal</li> </ul>	24 V DC 13 to 30 V - 30 to + 5 V
Input current <ul style="list-style-type: none"> <li>• "1" signal</li> </ul>	Typ. 7 mA
Input delay <ul style="list-style-type: none"> <li>• "0" to "1" transition</li> <li>• "1" to "0" transition</li> </ul>	1.2 ms to 4.8 ms 1.2 ms to 4.8 ms

3.8 Digital output module SM 321; DI 32 x AC 120 V; (6ES7321-1EL00-0AA0)

Technical specifications	
Input characteristics	to IEC 61131, type 1
Connection of 2-wire BEROs • Permissible quiescent current	Supported Max. 1.5 mA
Connection of the signal transmitters	Using a 40-pin front connector

### 3.8 Digital output module SM 321; DI 32 x AC 120 V; (6ES7321-1EL00-0AA0)

#### Order number

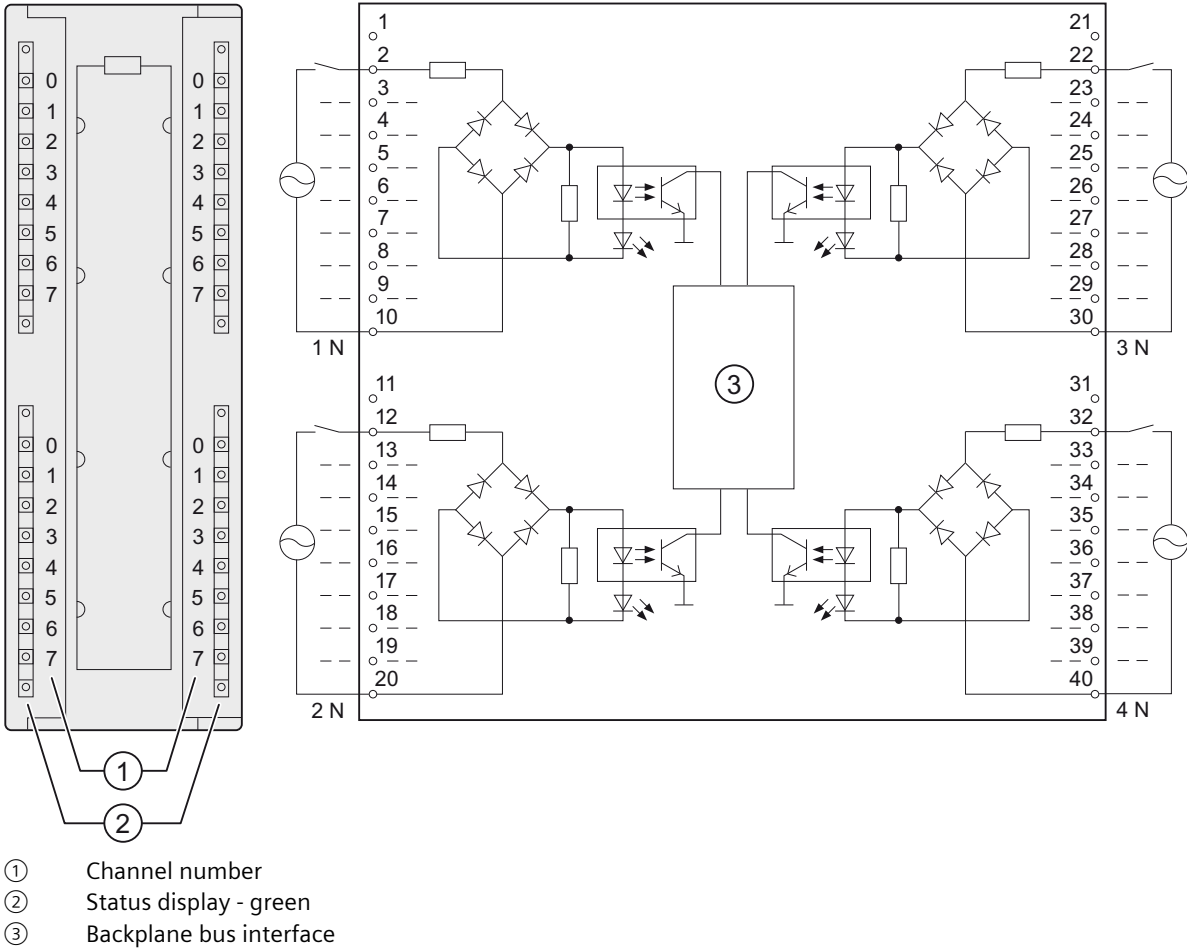
6ES7321-1EL00-0AA0

#### Properties

Properties of SM 321; DI 32 x AC 120 V:

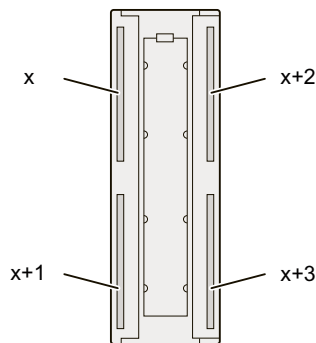
- 32 inputs, electrically isolated in groups of 8
- Rated input voltage 120 VAC
- Suitable for switches and 2-/3-wire AC proximity switches

**Wiring and block diagrams SM 321; DI 32 x AC 120 V**



**Terminal assignment**

The figure below shows the channel addressing (input byte x up to input byte x+3).



## Technical specifications of SM 321; DI 32 x AC 120 V

Technical specifications	
<b>Dimensions and weight</b>	
Dimensions W x H x D (mm)	40 x 125 x 117
Weight	ca. 300 g
<b>Module-specific data</b>	
Supports isochronous mode	no
Number of inputs	32
Cable length <ul style="list-style-type: none"> <li>unshielded</li> <li>shielded</li> </ul>	max. 600 m max. 1000 m
<b>Voltages, currents, electrical potentials</b>	
Number of simultaneously controlled inputs	
<ul style="list-style-type: none"> <li>horizontal mounting position to 40 °C</li> <li>to 60 °C</li> </ul>	32 24
<ul style="list-style-type: none"> <li>vertical mounting position to 40 °C</li> </ul>	32
Electrical isolation <ul style="list-style-type: none"> <li>between channels and the backplane bus</li> </ul>	yes
<ul style="list-style-type: none"> <li>between channels in groups of</li> </ul>	yes 8
Maximum potential difference	
<ul style="list-style-type: none"> <li>between M<sub>internal</sub> and inputs</li> </ul>	120 VAC
<ul style="list-style-type: none"> <li>between inputs of different groups</li> </ul>	250 VAC
Isolation test voltage	2500 VDC
Current consumption <ul style="list-style-type: none"> <li>from the backplane bus</li> </ul>	max. 16 mA
Power loss of the module	typ. 4 W
<b>Status, interrupts, diagnostics</b>	
Status display	green LED per channel
Interrupts	none
Diagnostic functions	none
<b>Transducer selection data</b>	
Input voltage <ul style="list-style-type: none"> <li>Rated value</li> <li>"1" signal</li> <li>"0" signal</li> <li>Frequency band</li> </ul>	120 VAC 74 V to 132 V 0 V to 20 V 47 Hz to 63 Hz
Input current <ul style="list-style-type: none"> <li>"1" signal</li> </ul>	typ. 21 mA



Technical specifications	
Input delay <ul style="list-style-type: none"> <li>"0" to "1" transition</li> <li>"1" to "0" transition</li> </ul>	max. 15 ms max. 25 ms
Input characteristics	to IEC 61131, type 2
Connection of 2-wire BEROs <ul style="list-style-type: none"> <li>Permissible quiescent current</li> </ul>	supported max. 4 mA
Wiring the signal transducers	using a 40pin front connector

### 3.9 Digital input module SM 321; DI 16 x DC 24 V; (6ES7321-1BH02-0AA0)

#### Order number: "Standard module"

6ES7321-1BH02-0AA0

#### Order number: "SIPLUS S7-300 module"

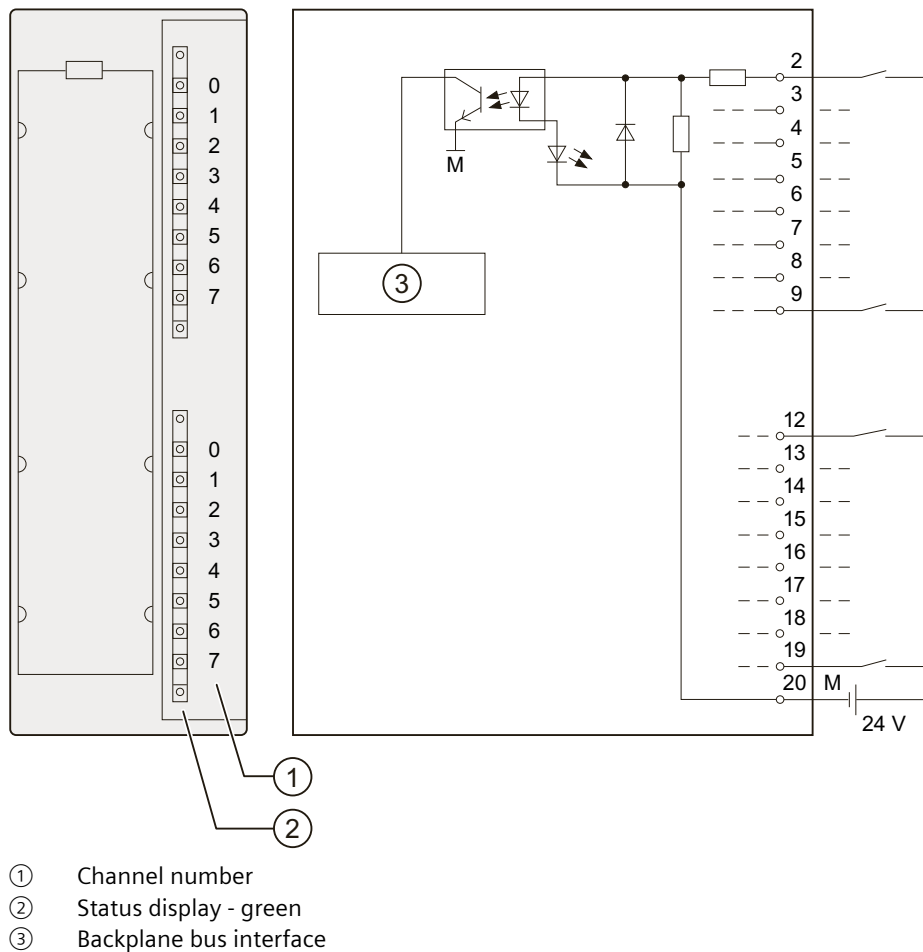
6AG1321-1BH02-2AA0

#### Properties

Properties of SM 321; DI 16 x DC 24 V:

- 16 inputs, electrically isolated in groups of 16
- Rated input voltage 24 V DC
- suitable for switches and 2- /3-/4-wire proximity switches (BEROs)

**Wiring and block diagram of SM 321; DI 16 x DC 24 V**



**Technical specifications of SM 321; DI 16 x DC 24 V**

Technical specifications	
<b>Dimensions and weight</b>	
Dimensions W x H x D (mm)	40 x 125 x 117
Weight	ca. 200 g
<b>Module-specific data</b>	
Supports isochronous mode	no
Number of inputs	16
Cable length	
• unshielded	max. 600 m
• shielded	max. 1000 m
<b>Voltages, currents, electrical potentials</b>	

## 3.10 Digital input module SM 321; DI 16 x DC 24 V High Speed; (6ES7321-1BH10-0AA0)

Technical specifications	
Number of simultaneously controlled inputs <ul style="list-style-type: none"> <li>horizontal mounting position to 60 °C</li> <li>vertical mounting position to 40 °C</li> </ul>	16 16
Electrical isolation <ul style="list-style-type: none"> <li>between channels and the backplane bus</li> <li>between channels</li> <li>in groups of</li> </ul>	yes yes 16
Isolation test voltage	500 V DC
Current consumption <ul style="list-style-type: none"> <li>from the backplane bus</li> </ul>	max. 10 mA
Power loss of the module	typ. 3.5 W
Status, interrupts, diagnostics	
Status display	green LED per channel
Interrupts	none
Diagnostic functions	none
Encoder selection data	
Input voltage <ul style="list-style-type: none"> <li>Rated value</li> <li>"1" signal</li> <li>"0" signal</li> </ul>	24 V DC 13 V to 30 V - 30 V to + 5 V
Input current <ul style="list-style-type: none"> <li>"1" signal</li> </ul>	typ. 7 mA
Input delay <ul style="list-style-type: none"> <li>"0" to "1" transition</li> <li>"1" to "0" transition</li> </ul>	1.2 ms to 4.8 ms 1.2 ms to 4.8 ms
Input characteristics	to IEC 61131, type 1
Connection of 2-wire BEROs <ul style="list-style-type: none"> <li>Permissible quiescent current</li> </ul>	supported max. 1.5 mA
Wiring of the signal transmitters	using a 20-pin front connector

### 3.10 Digital input module SM 321; DI 16 x DC 24 V High Speed; (6ES7321-1BH10-0AA0)

#### Order number

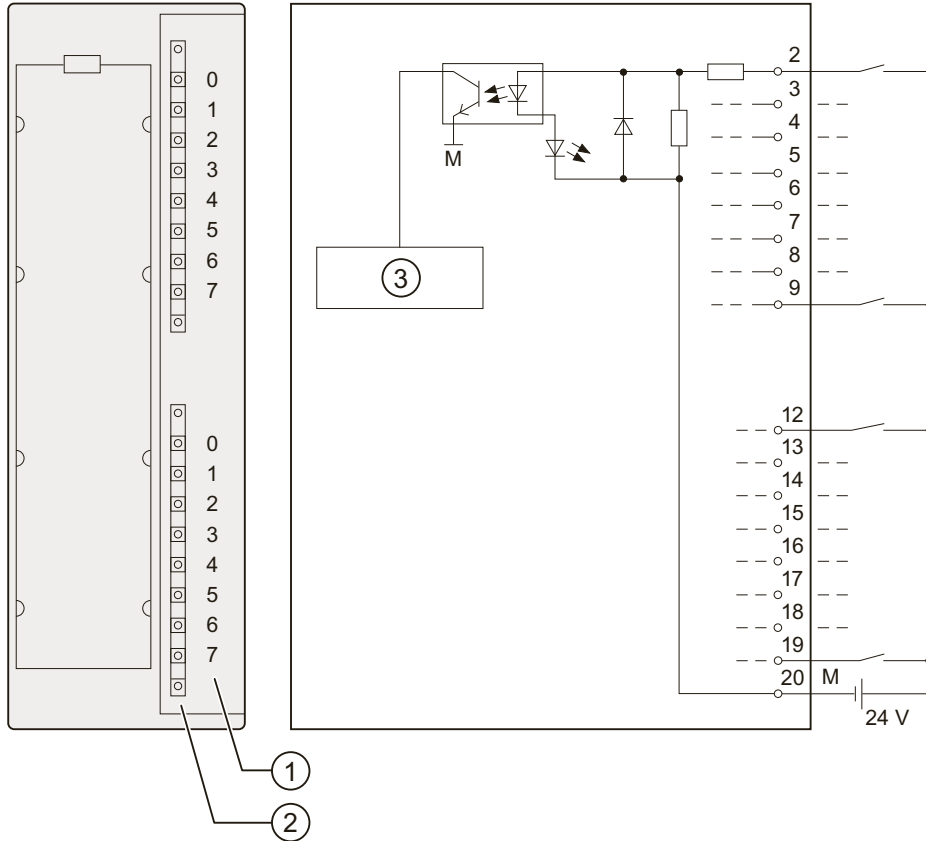
6ES7321-1BH10-0AA0

**Properties**

Properties of SM 321; DI 16 x DC 24 V High Speed:

- 16 inputs, electrically isolated in groups of 16
- Rated input voltage 24 V DC
- suitable for switches and 2-/3-/4-wire proximity switches (BEROs)
- Supports isochronous mode

**Wiring and block diagram of SM 321; DI 16 x DC 24 V High Speed**



- ① Channel number
- ② Status display - green
- ③ Backplane bus interface

**Technical specifications of SM 321; DI 16 x DC 24 V High Speed**

<b>Technical specifications</b>	
<b>Dimensions and weight</b>	
Dimensions W x H x D (mm)	40 x 125 x 117
Weight	ca. 200 g
<b>Module-specific data</b>	
Supports isochronous mode	yes
Number of inputs	16

3.11 Digital input module SM 321; DI 16 x 24 VDC; with hardware and diagnostic interrupts  
(6ES7321-7BH01-0AB0)

Technical specifications	
Cable length <ul style="list-style-type: none"> <li>unshielded</li> <li>shielded</li> </ul>	max. 600 m max. 1000 m
Voltages, currents, electrical potentials	
Number of simultaneously controlled inputs <ul style="list-style-type: none"> <li>horizontal mounting position to 60 °C</li> <li>vertical mounting position to 40 °C</li> </ul>	16 16
Electrical isolation <ul style="list-style-type: none"> <li>between channels and the backplane bus</li> </ul>	yes
Maximum potential difference <ul style="list-style-type: none"> <li>between channels</li> <li>– in groups of</li> </ul>	yes 16
Isolation test voltage	500 V DC
Current consumption <ul style="list-style-type: none"> <li>from the backplane bus</li> </ul>	max. 110 mA
Power loss of the module	typ. 3.8 W
Status, interrupts, diagnostics	
Status display	green LED per channel
Interrupts	none
Diagnostic functions	none
Encoder selection data	
Input voltage <ul style="list-style-type: none"> <li>Rated value</li> <li>"1" signal</li> <li>"0" signal</li> </ul>	24 V DC 13 V to 30 V - 30 V to + 5 V
Input current <ul style="list-style-type: none"> <li>"1" signal</li> </ul>	typ. 7 mA
Input delay <ul style="list-style-type: none"> <li>"0" to "1" transition</li> <li>"1" to "0" transition</li> </ul>	25 µs to 75 µs 25 µs to 75 µs
Input characteristics	to IEC 61131, type 1
Connection of 2-wire BEROs <ul style="list-style-type: none"> <li>Permissible quiescent current</li> </ul>	supported max. 1.5 mA
Wiring of the signal transmitters	using a 20-pin front connector

### 3.11 Digital input module SM 321; DI 16 x 24 VDC; with hardware and diagnostic interrupts (6ES7321-7BH01-0AB0)

Order number: "Standard module"

6ES7321-7BH01-0AB0

**Order number: "SIPLUS S7-300 module"**

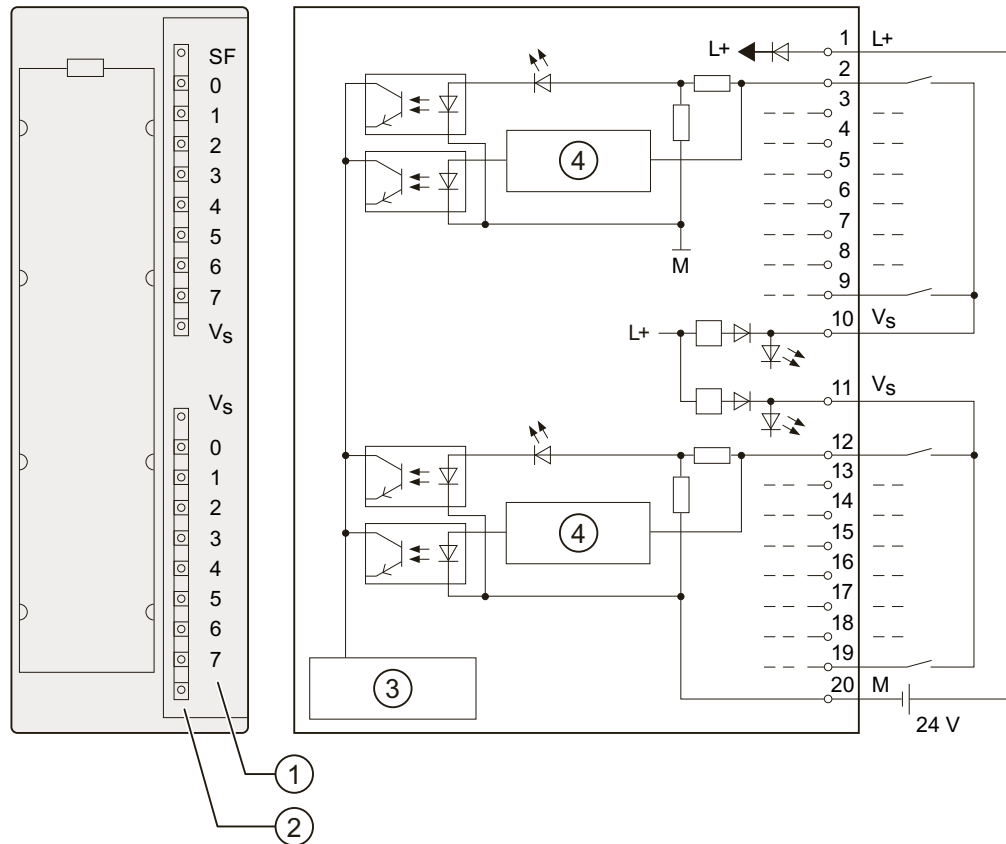
6AG1321-7BH01-2AB0

**Properties**

Properties of SM 321; DI 16 x DC 24 V with hardware and diagnostic interrupts:

- 16 inputs, electrically isolated in groups of 16
- Rated input voltage 24 V DC
- Input characteristics to IEC 61131, Type 2
- suitable for switches and 2-/3-/4-wire proximity switches (BEROs)
- 2 short circuitproof sensor supplies for each group of 8 channels
- external redundant sensor supply is supported
- "Sensor supply (Vs)" status display
- Group error display (SF)
- Supports isochronous mode
- Supports parameter reassignment in RUN
- Programmable diagnostics
- Programmable diagnostic interrupt
- Programmable hardware interrupts
- Programmable input delays

**Wiring and block diagram of SM 321; DI 16 x DC 24 V**



- ① Channel number
- ② Status displays - green  
Error displays - red  
Sensor supply  $V_s$  - green
- ③ Backplane bus interface
- ④ Wire-break detection

**Wiring diagram of the redundant sensor supply**

The figure below shows how an additional redundant voltage source can be used to power sensors using  $V_s$ .

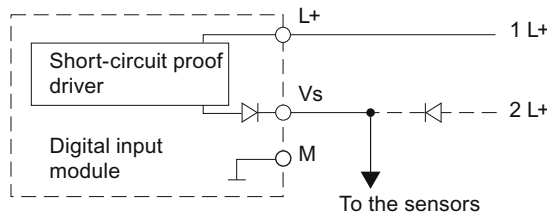


Figure 3-4 Wiring diagram of the redundant supply of sensors of SM 321; DI 16 x DC 24 V

3.11 Digital input module SM 321; DI 16 x 24 VDC; with hardware and diagnostic interrupts (6ES7321-7BH01-0AB0)

**Wiring diagram of the shunt circuit of the sensors**

For wire-break detection, it is necessary to connect a shunt resistor to the transducer contacts.

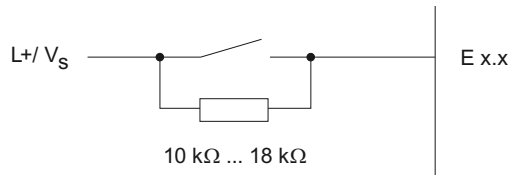


Figure 3-5 Wiring diagram of the shunt circuit of transducers of SM 321; DI 16 x DC 24 V

**Technical specifications of SM 321; DI 16 x DC 24 V**

Technical specifications	
<b>Dimensions and weight</b>	
Dimensions W x H x D (mm)	40 x 125 x 117
Weight	ca. 200 g
<b>Module-specific data</b>	
Supports isochronous mode	yes
Supports parameter reassignment in RUN	yes
• Response of non-programmed inputs	return the process value which was valid before configuration
Number of inputs	16
Cable length	
• unshielded	max. 600 m
• shielded	max. 1000 m
<b>Voltages, currents, electrical potentials</b>	
Rated supply voltage L+ for the electronic system and sensors	24 V DC
• Reverse polarity protection	yes
Number of simultaneously controlled inputs	
• horizontal mounting position to 60 °C	16
• vertical mounting position to 40 °C	16
Electrical isolation	
• between channels and the backplane bus	yes
• between channels	16
– In groups of	
Isolation test voltage	500 V DC
Current consumption	
• from the backplane bus	max. 130 mA
• from load voltage L + (without sensor supply V <sub>s</sub> )	max. 90 mA



3.11 Digital input module SM 321; DI 16 x 24 VDC; with hardware and diagnostic interrupts  
(6ES7321-7BH01-0AB0)

<b>Technical specifications</b>	
Power loss of the module	typ. 4 W
<b>Status, interrupts, diagnostics</b>	
Status display	
• Inputs	green LED per channel
• Sensor supplies (Vs)	green LED per output
Interrupts	
• Hardware interrupt	programmable
• Diagnostic interrupt	programmable
Diagnostic functions	programmable
• Group error display	red LED (SF)
• Reading diagnostic information	supported
Monitoring for	
• wirebreak	yes, sensing $I < 1 \text{ mA}$
<b>Sensor supply outputs</b>	
Number of outputs	2
Output voltage	
• on load	min. L+ (- 2.5 V)
Output current	
• Rated value	120 mA
• Permitted range	0 mA to 150 mA
Additional (redundant) supply	supported
Short-circuit protection	yes, electronic
<b>Encoder selection data</b>	
Input voltage	
• Rated value	24 V DC
• "1" signal	13 V to 30 V
• "0" signal	-30 V to + 5 V
Input current	
• "1" signal	typ. 7 mA
Input characteristics	to IEC 61131, type 2
Connection of 2-wire BEROs	supported
• Permissible quiescent current	max. 2 mA
Wiring of the signal transmitters	using a 20-pin front connector
Shunt circuit of the sensor for wire-break detection	10 kohms to 18 kohms
<b>Time/frequency</b>	
Internal preparation time for diagnostics (in non-isochronous mode)	
• Enabling of process and diagnostic interrupts	max. 40 ms
Input delay	
• programmable	yes
• Rated value	typ. 0.1/0.5/3/15/20 ms

## Configuration in RUN

Special considerations must be given if you use the Configuration in RUN function.

SF LED is lit:

Status before re-configuration diagnostics on, SF LEDs lit among others (on CPU, IM or module), although diagnostics are no longer pending and the module is operating correctly.

Solution:

- Only change the configuration when no diagnostics are pending for the module or
- Pulling and plugging the module.

### 3.11.1 Isochronous mode

#### Properties

Reproducible reaction times (i.e. of the same length) are achieved in a SIMATIC system by means of a constant DP bus cycle, and synchronization of the single cyclic processes outlined below:

- Independent user program cycle. The length of the cycle time may vary due to non-cyclic program branching.
- Independent and variable DP cycle on the PROFIBUS subnet
- Cyclic operation of the backplane bus of the DP slave.
- Cyclic signal conditioning and conversion at the electronic modules of the DP slave.

The constant DP cycle runs in synchronism and at the same length. The CPU run levels (OB61 to OB64) and isochronous I/O are synchronized with this cycle. I/O data are therefore transferred at defined and constant intervals (isochronous mode.)

#### Requirements

- The DP master and slave must support isochronous mode. STEP 7 V5.2 or higher.

#### Operating mode: Isochronous mode

Conditions of isochronous mode:

Filtering and processing time $T_{WE}$ between reading actual values and writing these to the transfer buffer (the value defined for $T_{WE}$ applies, irrespective of the enable status of diagnostics)	255 $\mu$ s to 345 $\mu$ s
includes an input delay time of	100 $\mu$ s
$T_{DPmin}$	2.5 ms
Diagnostic interrupt	max. 4 x $T_{DP}$

#### NOTE

In "isochronous" mode, the input delay is automatically set to 100  $\mu$ s, regardless of the input delay setting in STEP 7

#### Further information

You can find additional information on isochronous mode in the online help for STEP 7 and in the operating instructions Distributed I/O System ET 200M.

(<http://support.automation.siemens.com/WW/view/en/1142798>)

### 3.11.2 SM 321; DI 16 x DC 24 V - Parameters

#### Programming

The general procedure of programming digital modules is described in the chapter Programming digital modules (Page 52).

#### Parameters of SM 321; DI 16 x DC 24 V

The table below shows an overview of configurable parameters and their default settings for SM 321; DI 16 x DC 24 V.

The default settings apply if you have not set any parameters in STEP 7.

Table 3-10 Parameters of SM 321; DI 16 x DC 24 V

Parameters	Range of values	Default	Parameter type	Scope
Enable <ul style="list-style-type: none"> <li>Diagnostic interrupt</li> <li>Hardware interrupt</li> </ul>	Yes/No Yes/No	No No	dynamic	Module
Input delay/voltage type	0.1 ms (DC) 0.5 ms (DC) 3 ms (DC) 15 ms (DC) 20 ms (DC/AC)	(DC)	static	Module
Diagnosis encoder supply missing <ul style="list-style-type: none"> <li>Wire break</li> </ul>	Yes/No Yes/No	No No	static	Channel group
Hardware interrupt trigger <ul style="list-style-type: none"> <li>Positive edge</li> <li>Negative edge</li> </ul>	Yes/No Yes/No	No No	dynamic	Channel group

#### Allocating the sensor supplies to channel groups

The module's two sensor supplies power the two channel groups: Inputs 0 to 7 and inputs 8 to 15. You also configure the diagnostics for the encoder supply in these channel groups.

#### Assigning interrupt parameters to channel groups

The table below shows which channels you can group for interrupt processing.

The channel group number is required to program SFC parameters in the user program.

Table 3-11 Assigning interrupt parameters to the inputs of SM 321; DI 16 x DC 24 V

Parameters...	Programmable in the following channel groups	Channel group number
<ul style="list-style-type: none"> <li>Hardware interrupt (triggered at the positive, negative, or both edges)</li> <li>Diagnostic interrupt for wire break</li> </ul>	0 and 1 2 and 3 4 and 5 6 and 7 8 and 9 10 and 11 12 and 13 14 and 15	0 1 2 3 4 5 6 7
<ul style="list-style-type: none"> <li>Diagnostic interrupt for missing encoder supply</li> </ul>	0 to 7 8 to 15	-

3.11 Digital input module SM 321; DI 16 x 24 VDC; with hardware and diagnostic interrupts (6ES7321-7BH01-0AB0)

**Tolerances of the programmable input delays**

Table 3-12 Tolerances of the input delays at SM 321; DI 16 x DC 24 V

Programmed input delay	Tolerance
0.1 ms	60 µs to 140 µs
0.5 ms	400 µs to 900 µs
3 ms (default)	2.6 ms to 3.3 ms
15 ms	12 ms to 15 ms
20 ms	17 ms to 23 ms

**3.11.3 SM 321; DI 16 x DC 24 V - Diagnostics**

**Diagnostic messages of SM 321; DI 16 x DC 24 V**

The table below shows an overview of the diagnostic messages of SM 321; DI 16 x DC 24 V.

Table 3-13 Diagnostic messages of SM 321; DI 16 x DC 24 V

Diagnostic message	LED	Scope of diagnostics	programmable
Sensor supply missing	SF	Channel group	yes
Wire break	SF	Channel group	
Module not programmed	SF	Channel group	
External auxiliary voltage missing	SF	Module	no
Internal auxiliary voltage missing	SF	Module	
Fuse blown	SF	Module	
Incorrect module parameters	SF	Module	
Watchdog time-out	SF	Module	
EPROM fault	SF	Module	
RAM fault	SF	Module	
Hardware interrupt lost	SF	Module	

**NOTE**

A prerequisite for detecting faults indicated by programmable diagnostic messages is an appropriate configuration of the digital module in STEP 7.

**NOTE**

**Wire break diagnostics**

Wire break diagnostics is always used for one channel group with two channels. It is only possible to determine that one of the two channels has suffered a wire break; it is not possible to identify which one. When operated with PCS7, only one channel of the group can be used at any time for an exact diagnosis.

3.11 Digital input module SM 321; DI 16 x 24 VDC; with hardware and diagnostic interrupts (6ES7321-7BH01-0AB0)

**Causes of error and troubleshooting**

Table 3-14 Diagnostics Messages of the SM 321; DI 16 x DC 24 V, causes of error and troubleshooting

Diagnostic message	Possible cause of error	To correct or avoid error
Sensor supply missing	Overload at sensor supply	Eliminate overload
	Short-circuit to M at sensor supply	Eliminate the short-circuit
External auxiliary voltage missing	Power supply L+ to module missing	Feed supply L+
Internal auxiliary voltage missing	Power supply L+ to module missing	Feed supply L+
	Fuse blown in module	Replace the module
Fuse blown	Fuse blown in module	Replace the module
Incorrect module parameters	Implausible parameter or combination thereof	Program the module
Watchdog timeout	Infrequent high electromagnetic interference	Eliminate the interference
	Module defective	Replace the module
EPROM fault	Infrequent high electromagnetic interference	Eliminate interference and cycle the power supply of CPU off/on.
	Module defective	Replace the module
RAM fault	Infrequent high electromagnetic interference	Eliminate interference and cycle the power supply of CPU off/on.
	Module defective	Replace the module
Hardware interrupt lost	The module can not output an interrupt, because the previous interrupt was not acknowledged; possibly a configuration error	Change interrupt processing in the CPU, and reprogram the module as required The error persists until the module is assigned new parameters
Module not programmed	Startup error	Program the module

**3.11.4 SM 321; DI 16 x DC 24 V - Behavior**

**Influence of the operating state and supply voltage on input values**

The SM 321; DI 16 x DC 24 input values are determined by the CPU's operating state and the module's power supply.

Table 3-15 Dependency of input values on the CPU's operating state, and on the L+ power supply of SM 321; DI 16 x DC 24 V

CPU operating state		Power supply L+ at digital module	input value of the digital module
POWER ON	RUN	L+ present	Process value
		L+ missing	0 signal
	STOP	L+ present	Process value
		L+ missing	0 signal
POWER OFF	-	L+ present	-
		L+ missing	-

## Reaction to power failure

Failure of the SM 321; DI 16 x DC 24 power supply is always indicated by the module's SF LED. This information is also available on the module.

The input value is initially held for the duration of 20 ms to 40 ms before the zero signal is transferred to the CPU. Supply voltage dips <20 ms do not influence the process value (see the table above.)

Triggering of diagnostic interrupts is determined by the parameter settings (see chapter Interrupts of SM 321; DO 16 x DC 24 V [\(Page 82\)](#)).

## Power supply failure with redundant external sensor supply

---

### NOTE

When an external redundant power source is connected in parallel to the sensor supply (Vs) and the L+ power supply fails, the module does not report failure of the sensor supply, but rather the failure of the internal and/or external auxiliary voltage, and/or a blown fuse.

---

## Short-circuit at the sensor supply Vs

The relevant Vs LED goes dark if a short-circuit is detected at the sensor supply Vs, irrespective of parameter settings.

## 3.11.5 SM 321; DI 16 x DC 24 V - Interrupts

### Introduction

This chapter describes the interrupt reaction of SM 321; DI 16 x DC 24 V. Always distinguish between the following interrupts:

- Diagnostic interrupt
- Hardware interrupt

For detailed information on the OBs and SFCs mentioned below, refer to the STEP 7 Online Help.

### Enabling interrupts

There is no default interrupt setting, i.e. interrupts are disabled if parameters are not set accordingly. You can enable interrupts in STEP 7 (see the chapter Parameters of SM 321; DI 16 x DC 24 V [\(Page 78\)](#)).

### Diagnostic interrupt

When diagnostic interrupts are enabled, incoming error events (initial occurrence) and outgoing error events (error is cleared) are reported by means of an interrupt.

The CPU interrupts user program execution in order to process diagnostic interrupt OB82. You can call SFC51 or 59 in OB82 in the user program to view detailed diagnostics data output by the module.

Diagnostics data remain consistent until the program exits OB82. The module acknowledges the diagnostic interrupt when the program exits OB82.

## Hardware interrupt

SM 321; DI 16 x DC 24 V can trigger a hardware interrupt for each channel group at the positive, negative, or both edges of a signal transition.

Program each channel group separately. The parameters can be changed at any time (in RUN mode in the user program.)

Active hardware interrupts trigger hardware interrupt processing in the CPU (OB40) and interrupt execution of the user program or of object classes with lower priority in the CPU.

You can define the response of the AS to signal edge transitions in the user program of hardware interrupt OB40. The module acknowledges the hardware interrupt when the program exits the hardware interrupt OB.

The module can save one interrupt per channel to the stack. If no higher priority classes are pending processing, the CPU processes the buffered interrupts (of all modules) in the order of their occurrence.

## Hardware interrupt lost

A "Hardware interrupt lost" diagnostic interrupt is generated if a successive interrupt is triggered at the channel previously saved to the stack and which has not yet been processed by the CPU.

The CPU does not register any further interrupts at this channel unless it has completed processing of the queued interrupts of the same channel.

## Interrupt-triggering channels

The relevant hardware interrupt-triggering channel is logged in the OB40\_POINT\_ADDR variable of the start information of OB40. The figure shows the bit assignments of DWORD 8 in the local data.

Byte	Variable	Data type		Description
6/7	OB40_MDL_ADDR	WORD	B#16#0	Address of the interrupt-triggering module
starting at 8	OB40_POINT_ADDR	DWORD	see the figure below	Indication of the interrupt-triggering inputs

3.12 Digital input module SM 321; DI 16 x DC 24/125 V; with hardware and diagnostic interrupts (6ES7321-7EH00-0AB0)

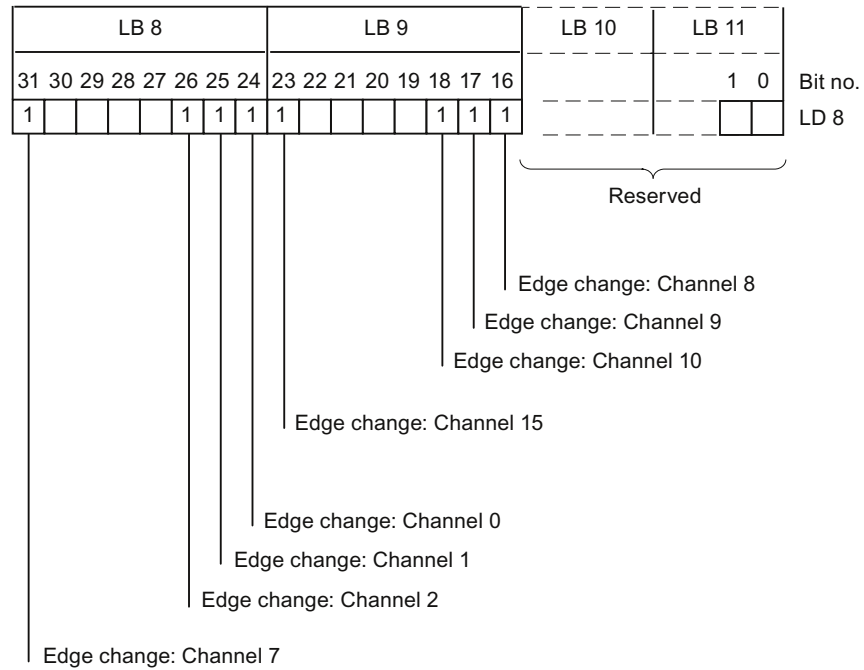


Figure 3-6 Start Information of OB40: which event has triggered the hardware interrupt

**3.12 Digital input module SM 321; DI 16 x DC 24/125 V; with hardware and diagnostic interrupts (6ES7321-7EH00-0AB0)**

Order number:

6ES7321-7EH00-0AB0



## Properties

Properties of SM 321; DI 16 x DC 24 V/125 V; with hardware and diagnostic interrupts:

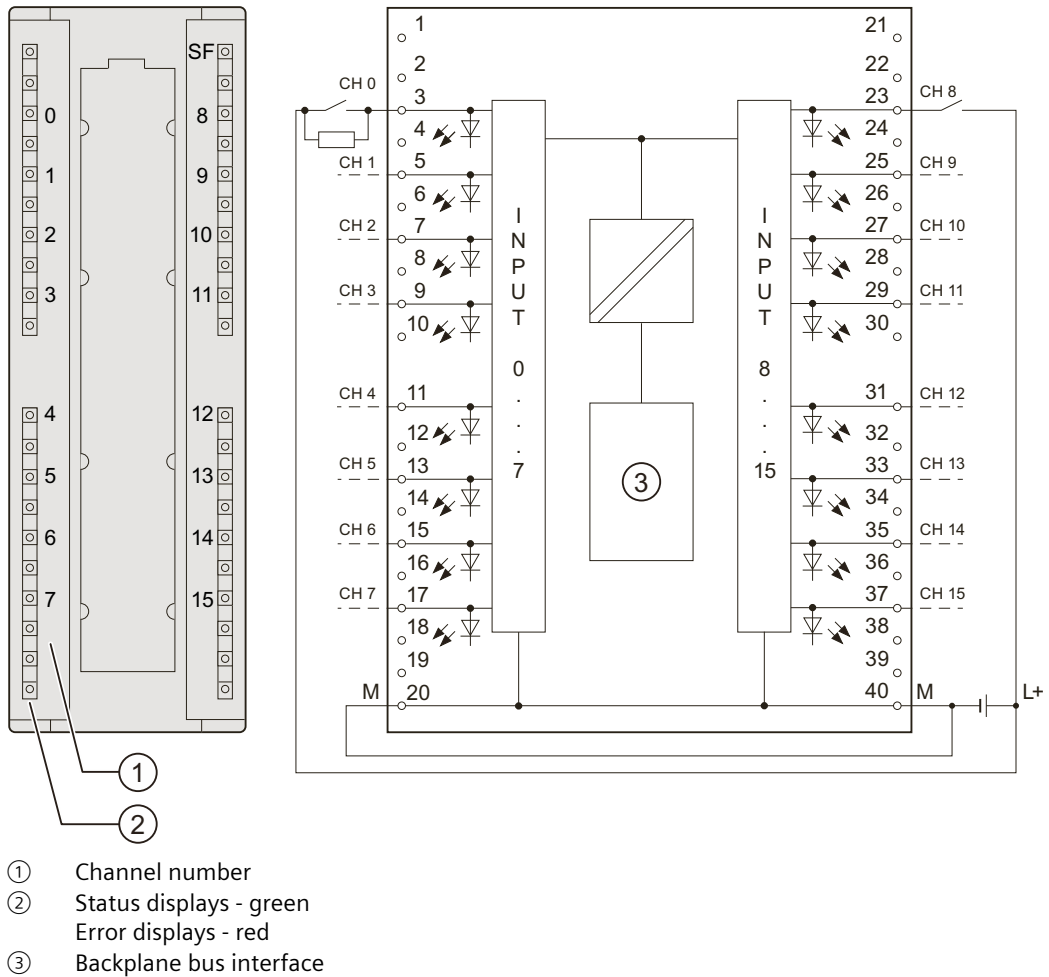
- 16 inputs, electrically isolated in groups of 16
- Rated input voltage 24 to 125 V DC
- Input characteristics to IEC 61131, Type 1
- suitable for switches and 2-/3-/4-wire proximity switches (BEROs)
- Group error display (SF)
- Supports parameter reassignment in RUN
- Channel-based configurable diagnostics
- Programmable diagnostic interrupt
- Channel-based configurable hardware interrupts
- Programmable input delays

### WARNING

- Electrical hazard arises with electric circuits operated with voltages
  - $>30 V_{\text{eff}}$  and  $42.4 V_{\text{peak}}$
  - 60 VDC.
- It is not permitted to mix electrically safe and dangerous contact input voltages on the 16 inputs of the same module.

3.12 Digital input module SM 321; DI 16 x DC 24/125 V; with hardware and diagnostic interrupts (6ES7321-7EH00-0AB0)

Wiring and block diagram of SM 321; DI 16 x DC 24 V/125 V



Wiring diagram of the shunt circuit of the sensors

For wire-break detection, it is necessary to connect a shunt resistor to the transducer contacts.

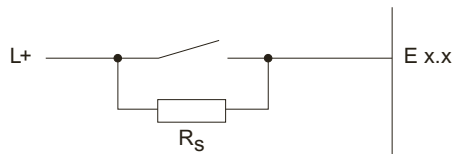


Figure 3-7 Wiring diagram of the shunt circuit of transducers of SM 321; DI 16 x DC 24 V/125 V

The resistance used depends on the module's rated input voltage

Table 3-16 Dependence on rated input voltage and resistance

Rated input voltage L+	Resistance R <sub>s</sub>
24 V DC	43 kΩ
48 V DC	100 kΩ
125 V DC	300 kΩ

**SM 321; DI 16 x DC 24 V/125V - Technical specifications**

<b>Technical specifications</b>	
<b>Dimensions and weight</b>	
Dimensions W x H x D (mm)	40 x 125 x 117
Weight	approx. 200 g
<b>Module-specific data</b>	
Supports isochronous mode	No
Supports parameter reassignment in RUN	Yes
<ul style="list-style-type: none"> <li>Response of non-programmed inputs</li> </ul>	return the process value which was valid before configuration
Accuracy of the time stamp	> 5 ms*
Number of inputs	16
Cable length <ul style="list-style-type: none"> <li>unshielded</li> <li>shielded</li> </ul>	max. 600 m max. 1000 m
<b>Voltages, currents, electrical potentials</b>	
Number of simultaneously controlled inputs	
<ul style="list-style-type: none"> <li>Horizontal mounting position to 60 °C               <ul style="list-style-type: none"> <li>L+ = 146 VDC</li> <li>L+ = 125 VDC</li> <li>L+ = 100 VDC</li> </ul> </li> </ul>	8 12 16
<ul style="list-style-type: none"> <li>Vertical mounting position to 40 °C               <ul style="list-style-type: none"> <li>L+ = 146 VDC</li> <li>L+ = 125 VDC</li> <li>L+ = 100 VDC</li> </ul> </li> </ul>	8 12 16
Electrical isolation <ul style="list-style-type: none"> <li>between channels and the backplane bus</li> <li>between channels</li> </ul>	Yes No
Maximum potential difference	
<ul style="list-style-type: none"> <li>between different circuits</li> </ul>	300 V DC / 250 V AC
Isolation test voltage	3500 VDC
Current consumption	
<ul style="list-style-type: none"> <li>from the backplane bus</li> </ul>	max. 90 mA
Power loss of the module <ul style="list-style-type: none"> <li>L+ = 24 V</li> <li>L+ = 100 V</li> </ul>	typ. 2 W typ. 6.5 W
<b>Status, interrupts, diagnostics</b>	
Status displays	green LED per channel
Interrupts <ul style="list-style-type: none"> <li>Hardware interrupt</li> <li>Diagnostic interrupt</li> <li>Wire break</li> </ul>	programmable programmable programmable
Diagnostic functions	programmable
<ul style="list-style-type: none"> <li>Group error display</li> </ul>	red LED (SF)

3.12 Digital input module SM 321; DI 16 x DC 24/125 V; with hardware and diagnostic interrupts (6ES7321-7EH00-0AB0)

Technical specifications	
• Reading diagnostics information	supported
Monitoring for • Wire break	yes, sensing $I < 1 \text{ mA}$
Encoder selection data	
Input voltage • Rated value • "1" signal • "0" signal	From 15 to 146 V from -146 V to + 5 V
Input current • "1" signal	Typ. 3.5 mA
Input characteristics	to IEC 61131, Type 1
Connection of 2-wire BEROs • Permissible quiescent current	supported max. 1 mA
Wiring of the signal transmitters	with 40-pin front connector
Time/frequency	
Input delay • programmable • Rated value	Yes typ. 0.1/0.5/3/15/20 ms**
Fixed current limitation of the sensor for wire-break detection	See previous table for dependence on rated input voltage and resistance
Overvoltage protection	Dehnconnect RK DCO RK ME110; Art. No. 919 923

\* To obtain a time stamp accuracy of  $< 1 \text{ ms}$ , the input delay must be configured to 0.1 ms.

\*\* To obtain a high immunity to interference, use a shielded cable and set input delay to 0.1 ms.

### Configuration in RUN

Special considerations must be given if you use the Configuration in RUN function.

SF LED is lit:

Status before re-configuration diagnostics on, SF LEDs lit among others (on CPU, IM or module), although diagnostics are no longer pending and the module is operating correctly.

Solution:

- Only change the configuration when no diagnostics are pending for the module or
- Pulling and plugging the module.

### 3.12.1 Parameters of SM 321; DI 16 x DC 24/125 V

#### Programming

The general procedure of programming digital modules is described in the chapter Programming digital modules.

#### Parameters of SM 321; DI 16 x DC 24 V/125 V

The table below shows an overview of configurable parameters and their default settings for SM 321; DI 16 x DC 24 V/125V.

3.12 Digital input module SM 321; DI 16 x DC 24/125 V; with hardware and diagnostic interrupts (6ES7321-7EH00-0AB0)

The default settings apply if you have not set any parameters in STEP 7.

Table 3-17 Parameters of SM 321; DI 16 x DC 24 V/125 V

Parameters	Range of values	Default	Parameter type	Efficiency range
Enable <ul style="list-style-type: none"> <li>Diagnostic interrupt</li> <li>Hardware interrupt</li> </ul>	Yes/No Yes/No	No No	dynamic	Module
Input delay/voltage type	0.1 ms (DC) 0.5 ms (DC) 3 ms (DC) 15 ms (DC) 20 ms (DC/AC)	3 ms (DC)	static	Module
Diagnostics <ul style="list-style-type: none"> <li>Wire break</li> </ul>	Yes/No	No	static	Channel
Hardware interrupt trigger <ul style="list-style-type: none"> <li>Positive edge</li> <li>Negative edge</li> </ul>	Yes/No Yes/No	No No	dynamic	Channel

### Tolerances of the programmable input delays

Table 3-18 Tolerances of the input delays of SM 321; DI 16 x DC 24 V/125 V

Programmed input delay	Tolerance
0.1 ms	80 µs to 200 µs
0.5 ms	580 µs to 700 µs
3 ms (default)	3.1 ms to 3.7 ms
15 ms	15.1 ms to 18.1 ms
20 ms	20.1 ms to 24.1 ms

#### NOTE

The timers for the input delay are only valid for reading in the status. In the case of wire-break, "Wire-break diagnostics" is only triggered approx. 40 ms after the reading in of the value.

## 3.12.2 Diagnostics of SM 321; DI 16 x DC 24/125 V

### Diagnostic messages of SM 321; DI 16 x DC 24 V/125 V

The table below shows an overview of the diagnostic messages of SM 321; DI 16 x DC 24 V/125 V.

Table 3-19 Diagnostic messages of SM 321; DI 16 x DC 24 V/125 V

Diagnostic message	LED	Scope of diagnostics	programmable
Wire break	SF	Channel	Yes
No channel parameters	SF	Channel	

3.12 Digital input module SM 321; DI 16 x DC 24/125 V; with hardware and diagnostic interrupts (6ES7321-7EH00-0AB0)

Diagnostic message	LED	Scope of diagnostics	programmable
No/incorrect parameters in module	SF	Module	No
Time monitoring activated (watchdog)	SF	Module	
EPROM fault	SF	Module	
RAM fault	SF	Module	
Hardware interrupt lost	SF	Module	

**NOTE**

To detect the errors indicated by programmable diagnostic messages, you must have programmed the digital module accordingly in STEP 7.

**Special features of diagnostics**

The SM 321; DI 16 x DC 24 V/125 V supplies 9-byte diagnostic data (diagnostic data set 0 with a length of 4 bytes and the diagnostic data set 1 with a length of 9 bytes).

The wire-break diagnostics is only reported in the channel error vector of the data set 1 (bytes 7 and 8). Each channel that reports an error in the channel error vector has a wire-break. You can find additional information, in chapter Structure and content of diagnostics data, byte 0 and up [\(Page 484\)](#).

**Causes of error and troubleshooting**

Table 3-20 Diagnostics messages of SM 321; DI 16 x DC 24 V/125V, causes of error and troubleshooting

Diagnostic message	Possible cause of error	To correct or avoid error
Incorrect module parameters	Implausible parameter or combination thereof	Program the module
Time monitoring activated (watchdog)	Infrequent high electromagnetic interference	Eliminate the interference
	Module defective	Replace the module
EPROM fault	Infrequent high electromagnetic interference	Eliminate interference and cycle the power supply of CPU off/on.
	Module defective	Replace the module
RAM fault	Infrequent high electromagnetic interference	Eliminate interference and cycle the power supply of CPU off/on.
	Module defective	Replace the module
Hardware interrupt lost	The module can not output an interrupt, because the previous interrupt was not acknowledged; possibly a configuration error	Change interrupt processing in the CPU, and reprogram the module as required The error persists until the module is assigned new parameters
Module not programmed	Startup error	Program the module

### 3.12.3 Interrupts of SM 321; DI 16 x DC 24/125 V

#### Introduction

This chapter describes the interrupt reaction of SM 321; DI 16 x DC 24 V/125V. Always distinguish between the following interrupts:

- Diagnostic interrupt
- Hardware interrupt

For detailed information on the OBs and SFCs mentioned below, refer to the STEP 7 Online Help.

#### Enabling interrupts

There is no default interrupt setting, i.e. interrupts are disabled if parameters are not set accordingly. You can enable interrupts in STEP 7 (see the chapter Parameters of SM 321; DI 16 x DC 24 V).

#### Diagnostic interrupt

When diagnostic interrupts are enabled, incoming error events (initial occurrence) and outgoing error events (error is cleared) are reported by means of an interrupt.

The CPU interrupts user program execution in order to process diagnostic interrupt OB82. You can call SFC51 or 59 in OB82 in the user program to view detailed diagnostics data output by the module.

Diagnostics data remain consistent until the program exits OB82. The module acknowledges the diagnostic interrupt when the program exits OB82.

#### Hardware interrupt

SM 321; DI 16 x DC 24 V/125V can trigger a hardware interrupt for each channel group at the positive, negative, or both edges of a signal transition.

You perform parameter assignment for each channel separately. The parameters can be changed at any time (in RUN mode in the user program.)

Active hardware interrupts trigger hardware interrupt processing in the CPU (OB40) and interrupt execution of the user program or of object classes with lower priority in the CPU.

You can define the response of the AS to signal edge transitions in the user program of hardware interrupt OB40. The module acknowledges the hardware interrupt when the program exits the hardware interrupt OB.

The module can save one interrupt per channel to the stack. If no higher priority classes are pending processing, the CPU processes the buffered interrupts (of all modules) in the order of their occurrence.

#### Hardware interrupt lost

A "Hardware interrupt lost" diagnostic interrupt is generated if a successive interrupt is triggered at the channel previously saved to the stack and which has not yet been processed by the CPU.

The CPU does not register any further interrupts at this channel unless it has completed processing of the queued interrupts of the same channel.

### Interrupt-triggering channels

The relevant hardware interrupt-triggering channel is logged in the OB40\_POINT\_ADDR variable of the start information of OB40. The figure shows the bit assignments of DWORD 8 in the local data.

Byte	Variable	Data type		Description
6/7	OB40_MDL_ADDR	WORD	B#16#0	Address of the interrupt-triggering module
starting at 8	OB40_POINT_ADDR	DWORD	see the figure below	Indication of the interrupt-triggering inputs

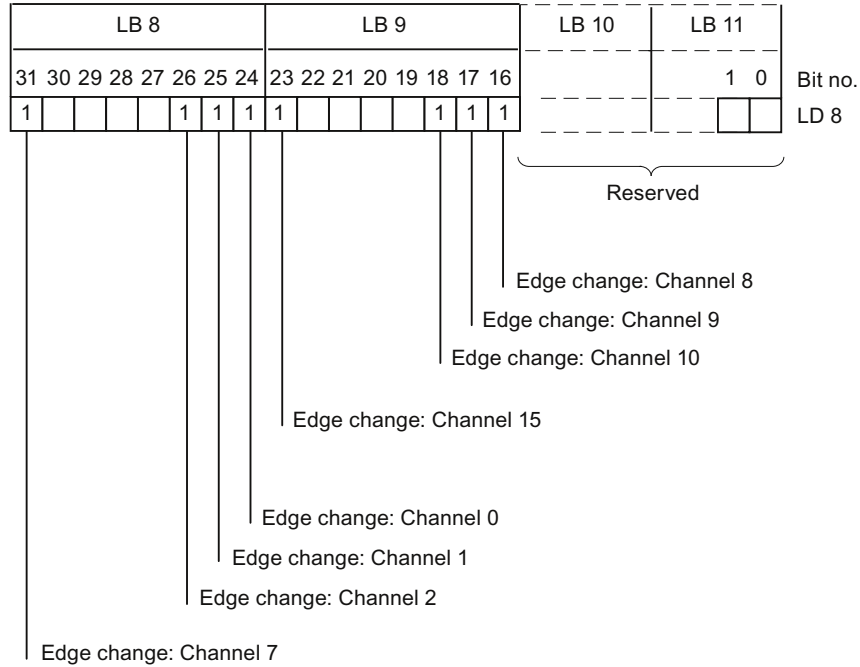


Figure 3-8 Start Information of OB40: which event has triggered the hardware interrupt

## 3.13 Digital input module SM 321; DI 16 x DC 24 V; source input; (6ES7321-1BH50-0AA0)

### Order number

6ES7321-1BH50-0AA0

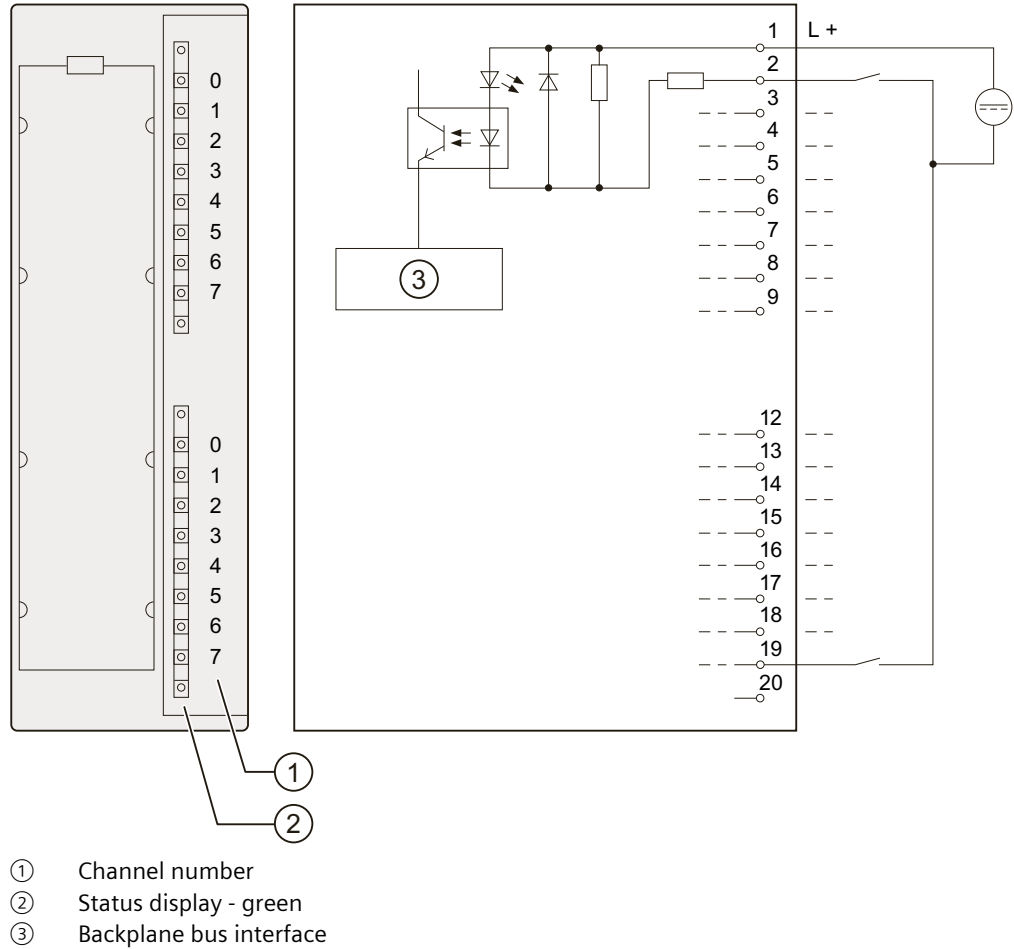
### Properties

Properties of SM 321; DI 16 x DC 24 V; source input:

- 16 inputs, source input, electrically isolated in groups of 16
- Rated input voltage 24 V DC
- Suitable for switches and 2- /3-/4-wire proximity switches (BEROs)



**Wiring and block diagram of SM 321; DI 16 x DC 24 V**



**SM 321; DI 16 x DC 24 V - Technical specifications**

Technical specifications	
<b>Dimensions and weight</b>	
Dimensions W x H x D (mm)	40 x 125 x 117
Weight	ca. 200 g
<b>Module-specific data</b>	
Supports isochronous mode	no
Number of inputs	16
Cable length	
• unshielded	max. 600 m
• shielded	max. 1000 m
<b>Voltages, currents, electrical potentials</b>	
Number of simultaneously controlled inputs	
• horizontal mounting position to 60 °C	16

Technical specifications	
• vertical mounting position to 40 °C	16
Electrical isolation	
• between channels and the backplane bus	yes
• between channels in groups of	yes 16
Isolation test voltage	500 V DC
Current consumption	
• from the backplane bus	max. 10 mA
Power loss of the module	typ. 3.5 W
Status, interrupts, diagnostics	
Status display	green LED per channel
Interrupts	none
Diagnostic functions	none
Encoder selection data	
Input voltage (reference potential L+)	
• Rated value • "1" signal • "0" signal	24 V DC -13 V to -30 V +30 V to -5 V
Input current	
• "1" signal	typ. 7 mA
Input delay	
• "0" to "1" transition • "1" to "0" transition	1.2 ms to 4.8 ms 1.2 ms to 4.8 ms
Input characteristics	to IEC 61131, type 1
Connection of 2-wire BEROs	supported
• Permissible quiescent current	max. 1.5 mA
Wiring of the signal transmitters	using a 20-pin front connector

### 3.14 Digital input module SM 321; DI 16 x UC 24/48 V; (6ES7321-1CH00-0AA0)

#### Order number

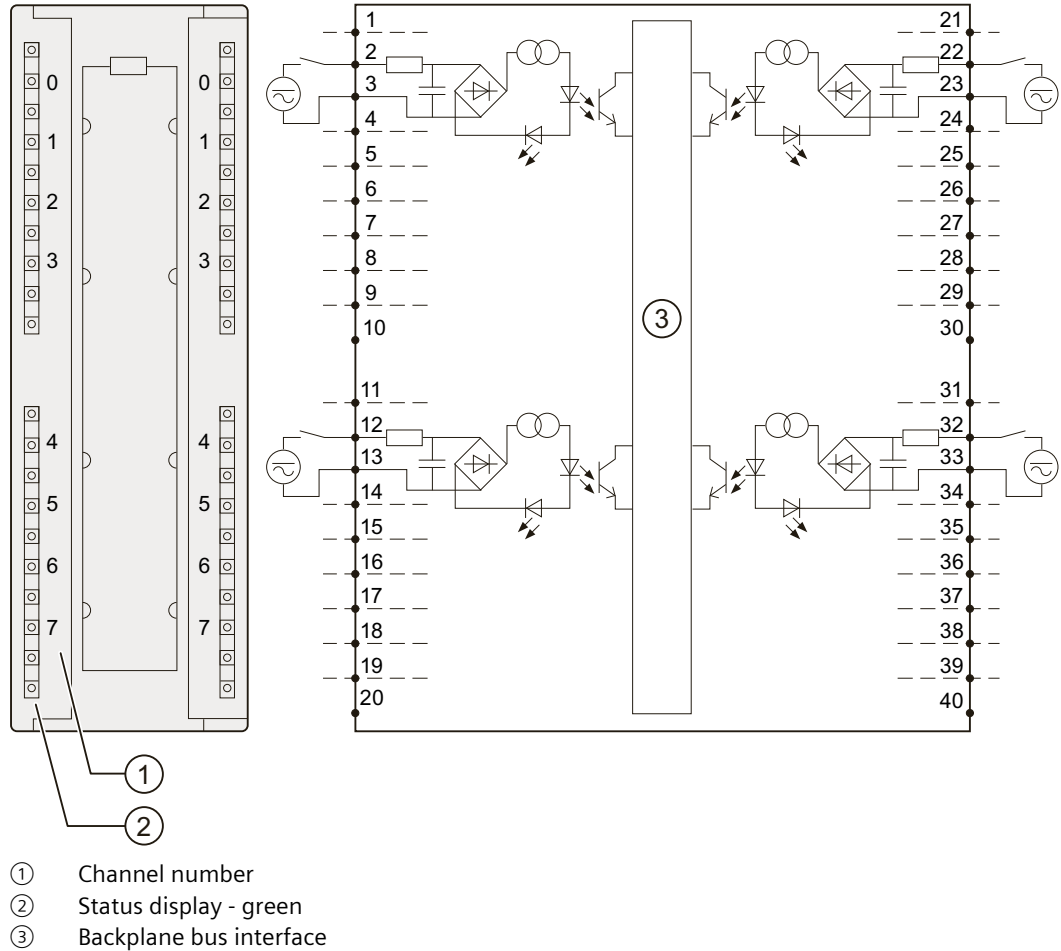
6ES7321-1CH00-0AA0

#### Properties

Properties of SM 321; DI 16 x UC24/48 V:

- 16 inputs, electrically isolated
- Electrical isolation between channels of 120 V AC
- Rated input voltage 24 VDC/VAC to 48 VDC/VAC
- Inputs are autarkic and can be wired to suit any configuration

**Wiring and block diagram of SM 321; DI 16 x UC 24/48 V**



**SM 321; DI 16 x UC 24/48 V - Technical specifications**

Technical specifications	
<b>Dimensions and weight</b>	
Dimensions W x H x D	40 x 125 x 117
Weight	ca. 260 g
<b>Module-specific data</b>	
Supports isochronous mode	no
Number of inputs	16
Cable length	
• unshielded	max. 600 m
• shielded	max. 1000 m
<b>Voltages, currents, electrical potentials</b>	
Number of simultaneously controlled inputs	
• horizontal mounting position up to 60 °C	16
• other mounting positions up to 40 °C	16

## 3.15 Digital input module SM 321; DI 16 x DC 48-125 V; (6ES7321-1CH20-0AA0)

Technical specifications	
Electrical isolation	
• Between channels and the backplane bus	Yes
• between channels In groups of	Yes 1
Maximum potential difference	
• Between channels and the backplane bus	170 VDC, 120 VAC
• between inputs of different groups	170 VDC, 120 VAC
Isolation test voltage	
• Between channels and the backplane bus	1500 VAC
• between inputs of different groups	1500 VAC
Current consumption	
• from the backplane bus	100 mA max.
Power loss of the module	
• Operation with 24 V • Operation with 48 V	typ. 1.5 W typ. 2.8 W
Status, interrupts, diagnostics	
Status display Interrupts Diagnostic functions	green LED per channel none none
Sensor selection data	
Input voltage	
• Rated value	24 VDC/VAC or 48 VDC/VAC
• "1" signal • "0" signal • Frequency band	14 V to 60 V -5 V to 5 V 0 Hz to 63 Hz
Input current	
• "1" signal • "0" signal	typ. 2.7 mA -1 mA to +1 mA
Input delay	
• "0" to "1" transition • "1" to "0" transition	max. 16 ms max. 16 ms
Input characteristics	to IEC 61131, type 1
Connection of 2-wire BEROs	supported
• Permissible quiescent current	max. 1 mA
Wiring of the signal sensors	using a 40-pin front connector

### 3.15 Digital input module SM 321; DI 16 x DC 48-125 V; (6ES7321-1CH20-0AA0)

Order number: "Standard module"

6ES7321-1CH20-0AA0

**Order number: "SIPLUS S7-300 module"**

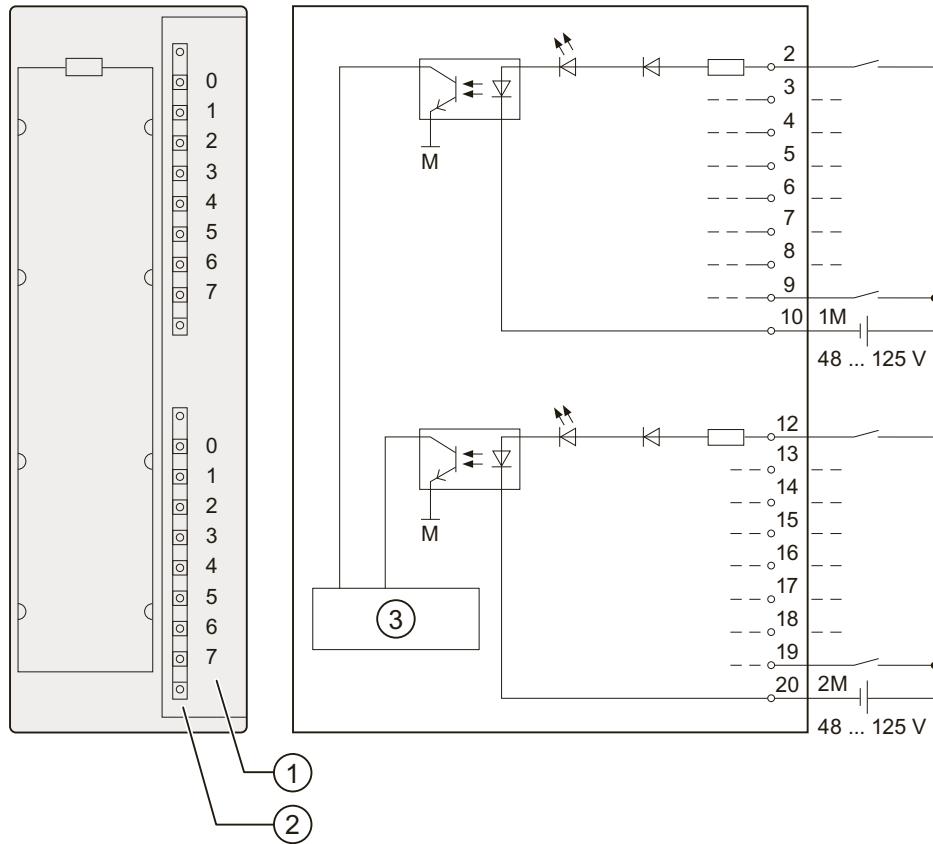
6AG1321-1CH20-2AA0

**Properties**

Properties of SM 321; DI 16 x DC 48-125 V:

- 16 inputs, electrically isolated in groups of 8
- Rated input voltage 48 VDC to 125 VDC
- suitable for switches and 2- /3-/4-wire proximity switches (BEROs)

**Wiring and block diagram of SM 321; DI 16 x DC 48-125 V**



- ① Channel number
- ② Status display - green
- ③ Backplane bus interface

**SM 321; DI 16 x DC 48-125 V - Technical specifications**

Technical specifications	
<b>Dimensions and weight</b>	
Dimensions W x H x D (mm)	40 x 125 x 120
Weight	ca. 200 g
<b>Module-specific data</b>	

<b>Technical specifications</b>		
Supports isochronous mode	no	
Number of inputs	16	
Cable length <ul style="list-style-type: none"> <li>unshielded</li> <li>shielded</li> </ul>	max. 600 m max. 1000 m	
<b>Voltages, currents, electrical potentials</b>		
Number of simultaneously controlled inputs <b>per group</b> at $U_i$	to 60 V	to 146 V
<ul style="list-style-type: none"> <li>horizontal mounting position to 50 °C to 60 °C</li> </ul>	8 8	8 6
<ul style="list-style-type: none"> <li>vertical mounting position to 40 °C</li> </ul>	8	8
Electrical isolation		
<ul style="list-style-type: none"> <li>between channels and the backplane bus</li> </ul>	yes	
<ul style="list-style-type: none"> <li>between channels in groups of</li> </ul>	yes 8	
Maximum potential difference <ul style="list-style-type: none"> <li>between different circuits</li> </ul>	146 VDC / 132 VAC	
Isolation test voltage	1500 VDC	
Current consumption <ul style="list-style-type: none"> <li>from the backplane bus</li> </ul>	max. 40 mA	
Power loss of the module	typ. 4.3 W	
<b>Status, interrupts, diagnostics</b>		
Status display	green LED per channel	
Interrupts	none	
Diagnostic functions	none	
<b>Sensor selection data</b>		
Input voltage		
<ul style="list-style-type: none"> <li>Rated value</li> </ul>	48 VDC to 125 VDC	
<ul style="list-style-type: none"> <li>"1" signal</li> </ul>	30 V to 146 V	
<ul style="list-style-type: none"> <li>"0" signal</li> </ul>	-146 V to 15 V	
Input current <ul style="list-style-type: none"> <li>"1" signal</li> </ul>	typ. 3.5 mA	
Input delay <ul style="list-style-type: none"> <li>"0" to "1" transition</li> <li>"1" to "0" transition</li> </ul>	0.1 ms to 3.5 ms 0.7 ms to 3.0 ms	
Input characteristics	to IEC 61131, type 1	
Connection of 2-wire BEROs <ul style="list-style-type: none"> <li>Permissible quiescent current</li> </ul>	supported max. 1 mA	
Wiring the signal transducers	using a 20-pin front connector	

### 3.16 Digital input module SM 321; DI 16 x AC 120/230 V; (6ES7321-1FH00-0AA0)

**Order number**

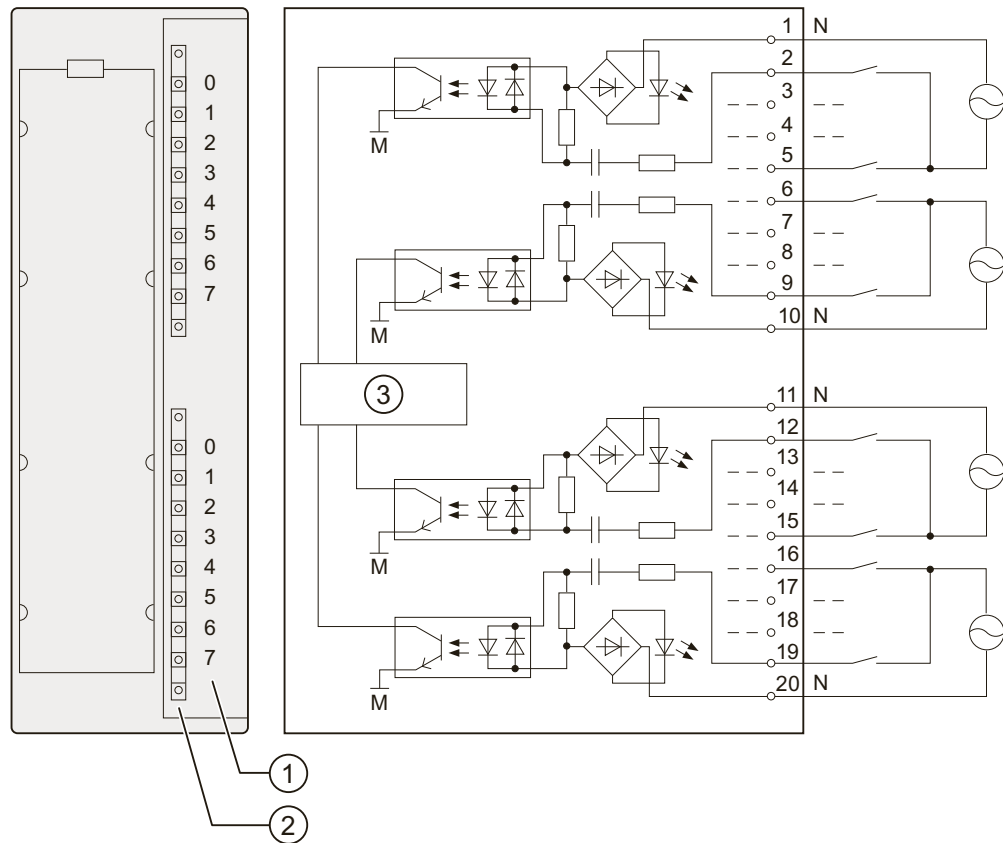
6ES7321-1FH00-0AA0

**Properties**

Properties of SM 321, DI 16 x AC 120/230 V:

- 16 inputs, electrically isolated in groups of 4
- Rated input voltage 120/230 VAC
- Suitable for switches and 2-/3-wire proximity switches (AC)

**Wiring and block diagrams of SM 321; DI 16 x AC 120/230 V**



- ① Channel number
- ② Status display - green
- ③ Backplane bus interface

**SM 321; DI 16 x AC 120/230 V- Technical specifications**

<b>Technical specifications</b>	
<b>Dimensions and weight</b>	
Dimensions W x H x D	40 x 125 x 117

<b>Technical specifications</b>	
Weight	ca. 240 g
<b>Module-specific data</b>	
Supports isochronous mode	no
Number of inputs	16
Cable length <ul style="list-style-type: none"> <li>unshielded</li> <li>shielded</li> </ul>	max. 600 m max. 1000 m
<b>Voltages, currents, electrical potentials</b>	
Rated load voltage L1 All load voltages must be connected to a common phase	120/230 V
Number of simultaneously controlled inputs	
<ul style="list-style-type: none"> <li>Horizontal mounting position to 60 °C</li> </ul>	16
<ul style="list-style-type: none"> <li>Vertical mounting position to 40 °C</li> </ul>	16
Electrical isolation	
<ul style="list-style-type: none"> <li>Between channels and the backplane bus</li> </ul>	Yes
<ul style="list-style-type: none"> <li>between channels in groups of</li> </ul>	Yes 4
Maximum potential difference	
<ul style="list-style-type: none"> <li>between <math>M_{\text{internal}}</math> and inputs</li> </ul>	230 VAC
<ul style="list-style-type: none"> <li>between inputs of different groups</li> </ul>	500 VAC
Isolation test voltage	4000 VDC
Current consumption	
<ul style="list-style-type: none"> <li>from the backplane bus</li> </ul>	max. 29 mA
Power loss of the module	typ. 4.9 W
<b>Status, interrupts, diagnostics</b>	
Status display	green LED per channel
Interrupts	none
Diagnostic functions	none
<b>Sensor selection data</b>	
Input voltage <ul style="list-style-type: none"> <li>Rated value</li> <li>"1" signal</li> <li>"0" signal</li> <li>Frequency band</li> </ul>	120/230 VAC 79 V to 264 V 0 V to 40 V 47 Hz to 63 Hz
Input current <ul style="list-style-type: none"> <li>"1" signal 120 V, 60 Hz</li> <li>230 V, 50 Hz</li> </ul>	typ. 6.5 mA typ. 16.0 mA
Input delay <ul style="list-style-type: none"> <li>"0" to "1" transition</li> <li>"0" to "1" transition</li> </ul>	max. 25 ms max. 25 ms



## 3.17 Digital input module SM 321; DI 8 x AC 120/230 V; (6ES7321-1FF01-0AA0)

Technical specifications	
Input characteristics	to IEC 61131, type 1
Connection of 2-wire BEROs <ul style="list-style-type: none"> <li>Permissible quiescent current</li> </ul>	supported max. 2 mA
Wiring the signal transducers	using a 20-pin front connector

### 3.17 Digital input module SM 321; DI 8 x AC 120/230 V; (6ES7321-1FF01-0AA0)

**Order number: "Standard module"**

6ES7321-1FF01-0AA0

**Order number: "SIPLUS S7-300 module"**

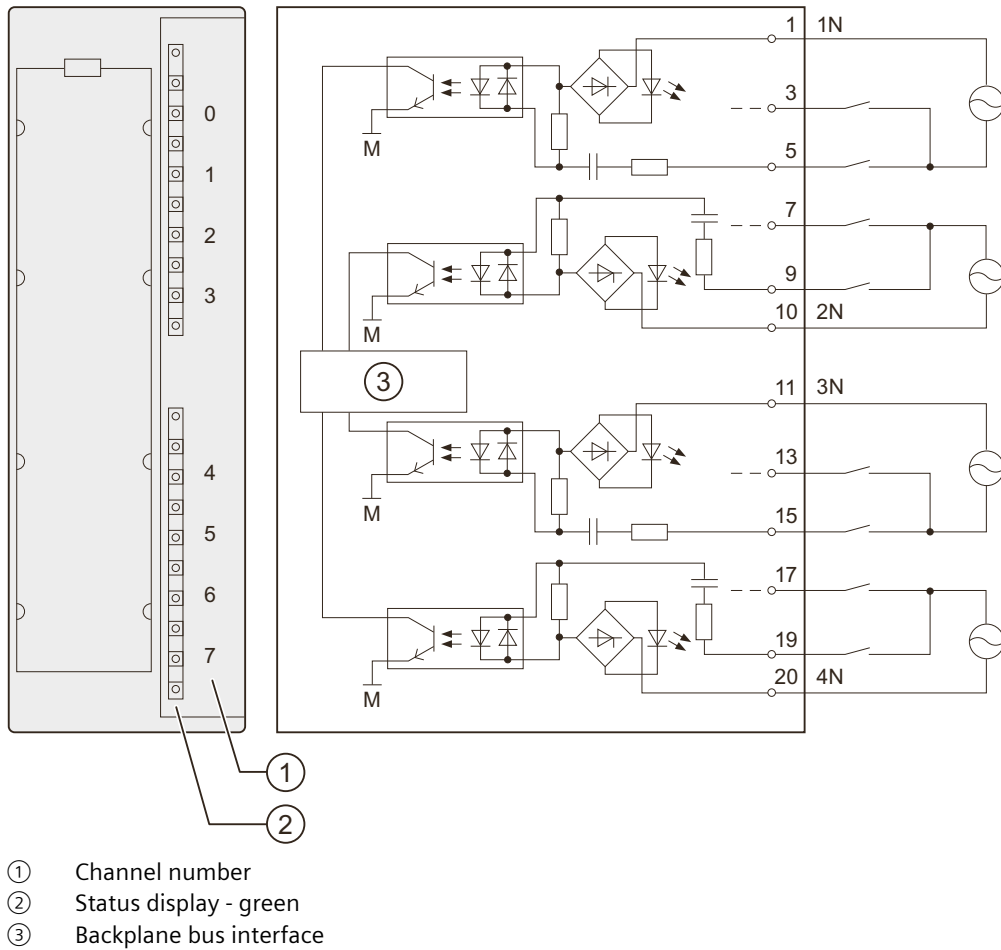
6AG1321-1FF01-2AA0

**Properties**

Properties of SM 321, DI 8 x AC 120/230 V:

- 8 inputs, electrically isolated in groups of 2
- Rated input voltage 120/230 VAC
- suitable for switches and 2-/3-wire AC proximity switches

**Wiring and block diagram of SM 321; DI 8 x AC 120/230 V**



**SM 321; DI 8 x AC 120/230 V - Technical specifications**

Technical specifications	
<b>Dimensions and weight</b>	
Dimensions W x H x D (mm)	40 x 125 x 117
Weight	ca. 240 g
<b>Module-specific data</b>	
Supports isochronous mode	no
Number of inputs	8
Cable length	
• unshielded	max. 600 m
• shielded	max. 1000 m
<b>Voltages, currents, electrical potentials</b>	
Number of simultaneously controlled inputs	
• horizontal mounting position to 60 °C	8

## 3.18 Digital input module SM 321; DI 8 x AC 120/230 V ISOL; (6ES7321-1FF10-0AA0)

Technical specifications	
• vertical mounting position to 40 °C	8
Electrical isolation	
• between channels and the backplane bus	yes
• between channels in groups of	yes 2
Maximum potential difference	
• between M <sub>internal</sub> and inputs	230 VAC
• between inputs of different groups	500 VAC
Isolation test voltage	
4000 VDC	
Current consumption	
• from the backplane bus	max. 29 mA
Power loss of the module	
typ. 4.9 W	
Status, interrupts, diagnostics	
Status display	green LED per channel
Interrupts	none
Diagnostic functions	none
Sensor selection data	
Input voltage	
• Rated value	120/230 VAC
• "1" signal	79 V to 264 V
• "0" signal	0 V to 40 V
• Frequency band	47 Hz to 63 Hz
Input current	
• "1" signal	
120 V, 60 Hz	typ. 6.5 mA
230 V, 50 Hz	typ. 11 mA
Input delay	
• "0" to "1" transition	max. 25 ms
• "1" to "0" transition	max. 25 ms
Input characteristics	to IEC 61131, type 1
Connection of 2-wire BEROs	supported
• Permissible quiescent current	max. 2 mA
Wiring of the signal transducers	using a 20-pin front connector

### 3.18 Digital input module SM 321; DI 8 x AC 120/230 V ISOL; (6ES7321-1FF10-0AA0)

#### Order number

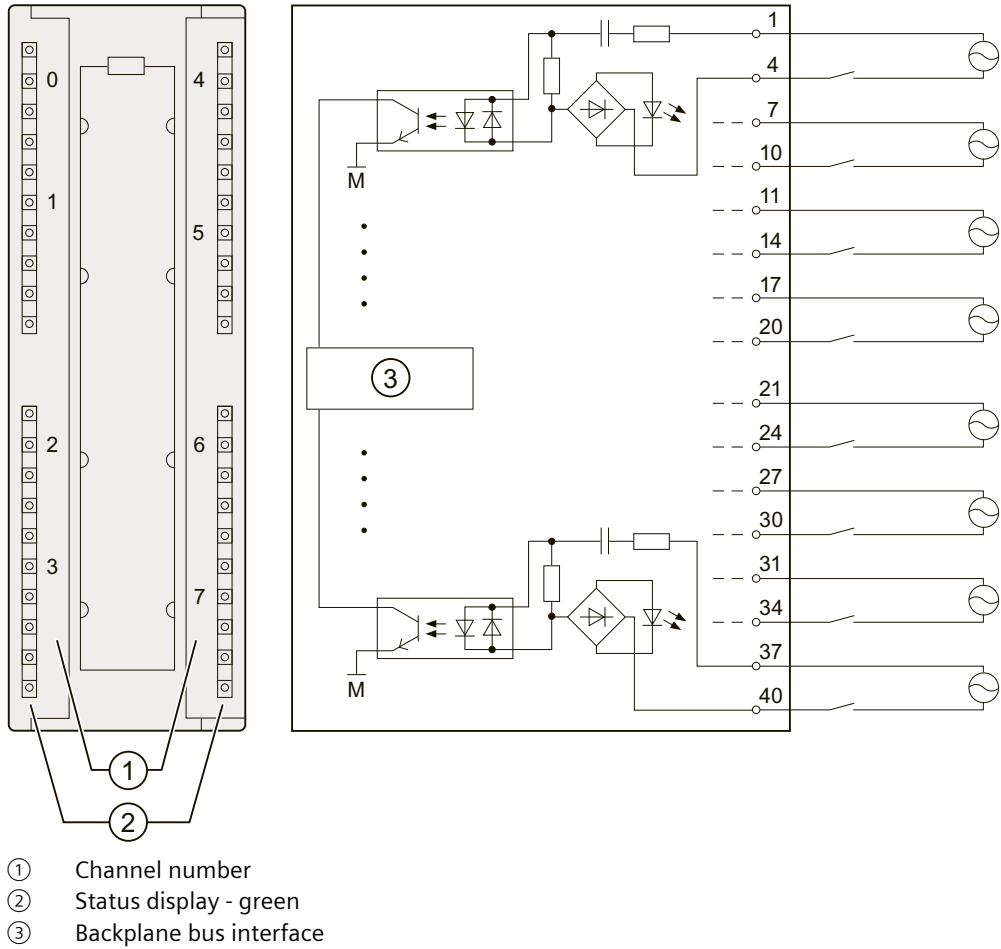
6ES7321-1FF10-0AA0

**Properties**

Properties of the digital input module SM 321; DI 8 x AC 120/230 V ISOL:

- 8 inputs, electrically isolated in groups of 1
- Rated input voltage 120/230 VAC
- Suitable for switches and 2-/3-/4-wire AC proximity switches

**Wiring and block diagrams of SM 321; DI 8 x AC 120/230 V ISOL**



**SM 321; DI 8 x AC 120/230 V ISOL - Technical specifications**

Technical specifications	
<b>Dimensions and weight</b>	
Dimensions W × H × D	40 × 125 × 117
Weight	ca. 240 g
<b>Module-specific data</b>	
Supports isochronous mode	no
Number of inputs	8

## 3.18 Digital input module SM 321; DI 8 x AC 120/230 V ISOL; (6ES7321-1FF10-0AA0)

<b>Technical specifications</b>	
Cable length <ul style="list-style-type: none"> <li>unshielded</li> <li>shielded</li> </ul>	max. 600 m max. 1000 m
<b>Voltages, currents, electrical potentials</b>	
Rated load voltage L1 All load voltages must be connected to a common phase	120/230 VAC
Number of simultaneously controlled inputs	
<ul style="list-style-type: none"> <li>Horizontal mounting position to 60 °C</li> </ul>	8
<ul style="list-style-type: none"> <li>Vertical mounting position to 40 °C</li> </ul>	8
Electrical isolation	
<ul style="list-style-type: none"> <li>Between channels and the backplane bus</li> </ul>	Yes
<ul style="list-style-type: none"> <li>between channels in groups of</li> </ul>	Yes 1
Maximum potential difference	
<ul style="list-style-type: none"> <li>between M<sub>internal</sub> and inputs</li> </ul>	230 VAC
<ul style="list-style-type: none"> <li>between inputs of different groups</li> </ul>	500 VAC
Isolation test voltage	
<ul style="list-style-type: none"> <li>between M<sub>internal</sub> and inputs</li> </ul>	1500 VAC
<ul style="list-style-type: none"> <li>between inputs of different groups</li> </ul>	2000 VAC
Current consumption	
<ul style="list-style-type: none"> <li>from the backplane bus</li> </ul>	max. 100 mA
Power loss of the module	typ. 4.9 W
<b>Status, interrupts, diagnostics</b>	
Status display	green LED per channel
Interrupts	none
Diagnostic functions	none
<b>Sensor selection data</b>	
Input voltage <ul style="list-style-type: none"> <li>Rated value</li> <li>"1" signal</li> <li>"0" signal</li> <li>Frequency band</li> </ul>	120/230 VAC 79 V to 264 V 0 V to 40 V 47 Hz to 63 Hz
Input current <ul style="list-style-type: none"> <li>"1" signal 120 V, 60 Hz 230 V, 50 Hz</li> </ul>	typ. 7.5 mA typ. 17.3 mA
Input delay <ul style="list-style-type: none"> <li>"0" to "1" transition</li> <li>"0" to "1" transition</li> </ul>	max. 25 ms max. 25 ms
Input characteristics	to IEC 61131, type 1

Technical specifications	
Connection of 2-wire BEROs	supported
<ul style="list-style-type: none"> <li>Permissible quiescent current</li> </ul>	max. 2 mA
Wiring of the signal sensors	using a 40-pin front connector

### 3.19 Digital output module SM 322; DO 64 x DC 24 V/0.3 A sourcing; (6ES7322-1BP00-0AA0)

**Order number**

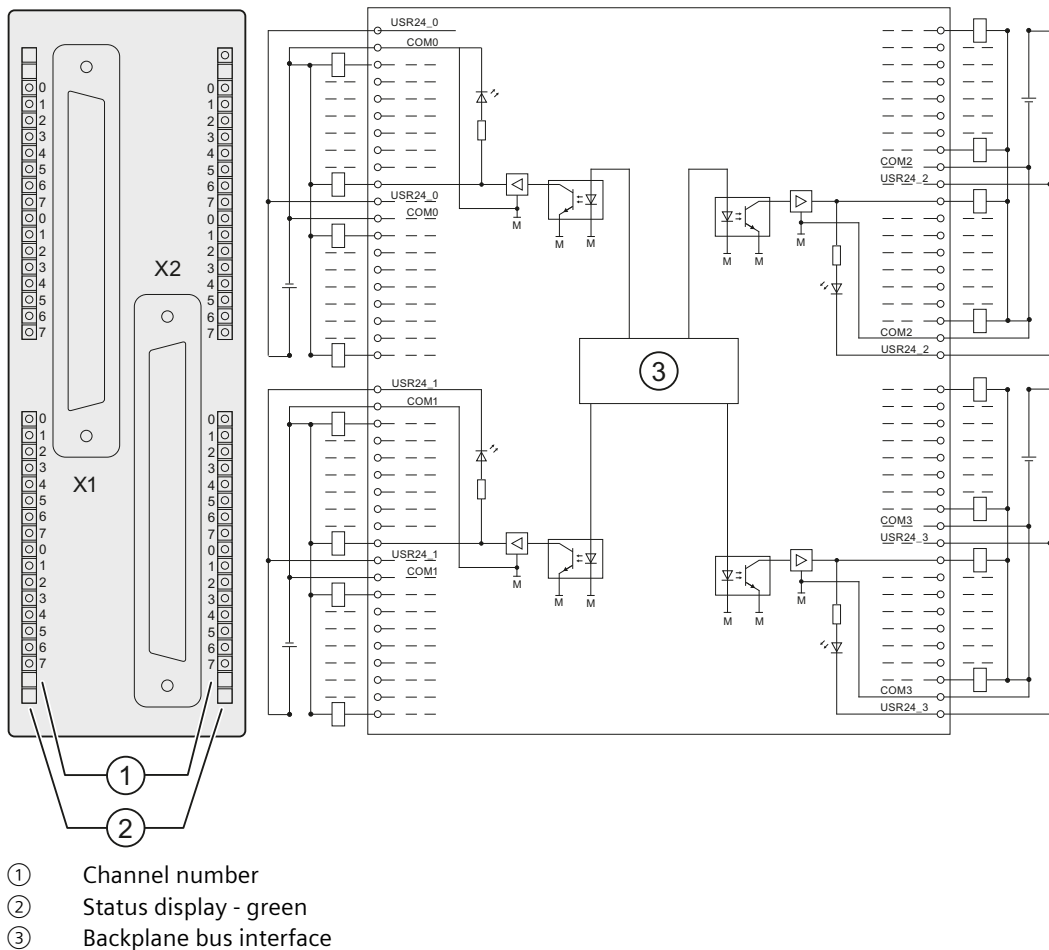
6ES7322-1BP00-0AA0

**Properties**

Properties of SM 322; DO 64 x DC 24 V/0,3 A Sourcing:

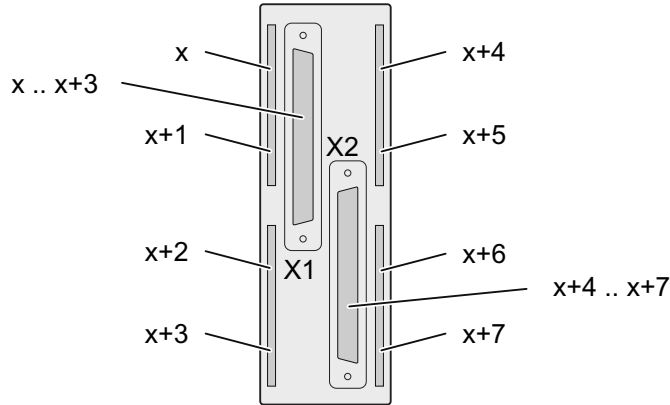
- 64 outputs, isolated in 4 groups of 16
- Rated load voltage 24 V DC

**Wiring and block diagram of SM 322; DO 64 x DC 24 V/0,3 A Sourcing**



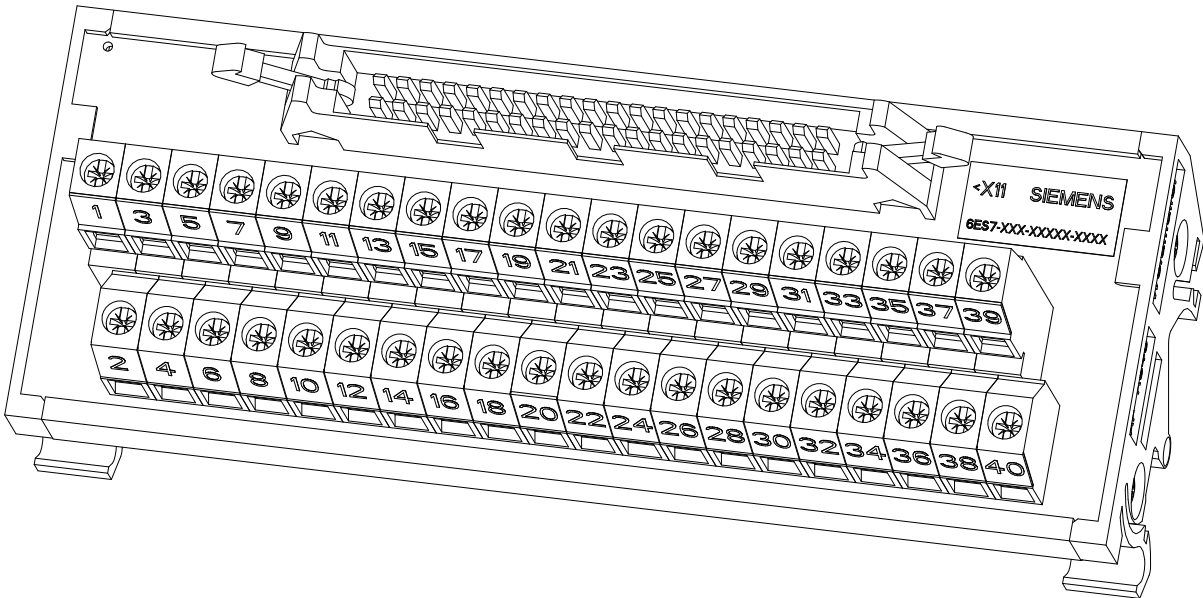
### Terminal assignment of SM 322; DO 64 x DC 24 V/0,3 A Sourcing

The figure below shows how channels are assigned to addresses (output byte x up to output byte x+7).



### 40-pin terminal block

SM 322; DO 64 x DC 24 V/0,3 A Sourcing features two terminal blocks for connecting actuators and sensors to the module front connector. A connecting cable is used to establish the module connections.



The table below shows how channel terminals are assigned to the connector for module SM 322; DO 64 x DC 24 V/0,3 A Sourcing.

Terminal	Function	Terminal	Function
1	O x.0	2	O x+2.0
3	O x.1	4	O x+2.1
5	O x.2	6	O x+2.2
7	O x.3	8	O x+2.3
9	O x.4	10	O x+2.4

Terminal	Function		Terminal	Function
11	O x.5		12	O x+2.5
13	O x.6		14	O x+2.6
15	O x.7		16	O x+2.7
17	1M		18	2M
19	1L+		20	2L+
21	O x+1.0		22	O x+3.0
23	O x+1.1		24	O x+3.1
25	O x+1.2		26	O x+3.2
27	O x+1.3		28	O x+3.3
29	O x+1.4		30	O x+3.4
31	O x+1.5		32	O x+3.5
33	O x+1.6		34	O x+3.6
35	O x+1.7		36	O x+3.7
37	1M		38	2M
39	1L+		40	2L+

**NOTE**

Connections x M and x L+ must be connected to a channel group.

**Technical specifications of SM 322, DO 64 x DC 24 V, 0,3 A Sourcing**

Technical specifications	
<b>Dimensions and weight</b>	
Dimensions (W x H x D) (mm)	40 x 125 x 112 (including protective barrier, required for connections which are not in use)
Weight	ca. 260 g
<b>Module-specific data</b>	
Supports isochronous mode	No
Number of outputs	64
Cable length <ul style="list-style-type: none"> <li>Unshielded</li> <li>Shielded</li> </ul>	max. 600 m max. 1000 m
<b>Voltages, currents, electrical potentials</b>	
Rated load voltage L+	24 V DC
Total current of outputs (per group)	
For horizontal installation <ul style="list-style-type: none"> <li>Up to 25 °C</li> <li>to 40 °C</li> <li>to 60 °C</li> </ul>	max. 2.0 A max. 1.6 A max. 1.2 A



## 3.19 Digital output module SM 322; DO 64 x DC 24 V/0.3 A sourcing; (6ES7322-1BP00-0AA0)

Technical specifications	
For vertical installation <ul style="list-style-type: none"> <li>to 40 °C</li> <li>Up to 25 °C</li> </ul>	max. 1.6 A max. 2.0 A
Electrical isolation	
<ul style="list-style-type: none"> <li>Between channels and the backplane bus</li> <li>Between channels <ul style="list-style-type: none"> <li>In groups of</li> </ul> </li> </ul>	Yes Yes 16
Isolation test voltage	500 VDC
Current consumption <ul style="list-style-type: none"> <li>From the backplane bus</li> <li>From the user 24 V (L+) (separately for each group; no load)</li> </ul>	Max. 100 mA Max. 75 mA
Power loss of the module	Typ. 6.0 W
Status, interrupts, diagnostics	
Status display	Green LED per channel
Interrupts	None
Diagnostic functions	None
Actuator selection data	
Output type Output voltage <ul style="list-style-type: none"> <li>"1" signal</li> </ul>	M switching 24 V DC L+ (-0.5 V)
Output current <ul style="list-style-type: none"> <li>"1" signal <ul style="list-style-type: none"> <li>Rated value</li> <li>Permitted range</li> </ul> </li> <li>"0" signal (residual current)</li> </ul>	Typ. 0.3 A 2.4 mA to 0.36 A <100 µA
Output delay (resistive load) <ul style="list-style-type: none"> <li>"0" to "1" transition</li> <li>"1" to "0" transition</li> </ul>	<550 µs <550 µs
Load resistance range	80 Ω to 10 kΩ
Lamp load	Max. <5 W
Wiring two outputs in parallel <ul style="list-style-type: none"> <li>For redundant load control</li> <li>For performance increase</li> </ul>	supported (with external diode) not supported
Control of a digital input	supported
Switching frequency <ul style="list-style-type: none"> <li>with resistive load</li> <li>With inductive load to IEC 947-5-1, DC 13<sup>1</sup></li> <li>With lamp load</li> </ul>	Max. <100 Hz Max. <0.5 Hz Max. <10 Hz
Internal limiting of the inductive shutdown voltage to:	53 V typ.
Short-circuit-proof output <ul style="list-style-type: none"> <li>Response threshold:</li> </ul>	Yes, electronic 0.7 A to 1.9 A typ.
Wiring of the actuators	Two 40-pin terminal blocks
<sup>1</sup> For loads above 200 mA, a terminal diode is required for the inductive load.	

**STEP 7 integration**

64-channel I/O modules are integrated with the HSP 2019 V 1.0. The HSP forms part of STEP 7 V 5.4 SP2 and can be installed from STEP 7 V 5.4 and higher.

**GSD/GSDML files**

The 64-channel I/O modules are supported by the ET 200M versions listed below. Download the corresponding GSD/GSDML files from the following link: on the Internet (<http://www.siemens.com/automation/service>).

- To search for PROFIBUS GSD files, type in the entry ID 113498.
- To search for PROFINET GSDML files, type in the entry ID: 25057900.

**PROFIBUS**

- IM 153-1, as of 6ES7153-1AA03-0XB0, E12 with GSD file SI01801D.\*, version V 1.5
- IM 153-2, as of 6ES7153-2BA02-0XB0, E01 with GSD file SI04801E.\*, version V 1.0

**PROFINET**

- IM 153-4 PN, as of 6ES7153-4AA00-0XB0 with GSDML file version V 2.1
- IM153-4 PN IO HF, as of 6ES7153-4BA00-0XB0 with GSDML file version V2.1

**Using the module in S7-300 and ET 200M**

If the station is configured with STEP 7, you can use the digital output module SM 322 with all CPUs in the following table. Startup cannot be performed if no configuration is loaded.

C-CPU (compact CPUs)	Order number
CPU 312C	6ES7312-5BD0x-0AB0
	6ES7312-5BE03-0AB0
	6ES7312-5BF04-0AB0
CPU 313C	6ES7313-5BE0x-0AB0
	6ES7313-5BF03-0AB0
	6ES7313-5BG04-0AB0
CPU 313C-2 DP	6ES7313-6CE0x-0AB0
	6ES7313-6CF03-0AB0
	6ES7313-6CG04-0AB0
CPU313C-2 PtP	6ES7313-6BE0x-0AB0
	6ES7313-6BF03-0AB0
	6ES7313-6BG04-0AB0
CPU 314C-2 DP	6ES7314-6CF0x-0AB0
	6ES7314-6CG03-0AB0
	6ES7314-6CH04-0AB0

## 3.19 Digital output module SM 322; DO 64 x DC 24 V/0.3 A sourcing; (6ES7322-1BP00-0AA0)

C-CPU (compact CPUs)	Order number
CPU 314C-2 PtP	6ES7314-6BF0x--0AB0
	6ES7314-6BG03--0AB0
	6ES7314-6BH04-0AB0
CPU314C-2 PN/DP	6ES7314-6EH04-0AB0


M-CPU	Order number
CPU 312	6ES7312-1AD1x-0AB0
	6ES7312-1AE13-0AB0
	6ES7312-1AE14-0AB0
CPU 314	6ES7314-1AF1x-0AB0
	6ES7314-1AG13-0AB0
	6ES7314-1AG14-0AB0
CPU 315-2 DP	6ES7315-2AF0x-0AB0
	6ES7315-2AG10-0AB0
	6ES7315-2AH14-0AB0
CPU 316-2 DP	6ES7316-2AG00-0AB0
CPU 317-2 DP	6ES7317-2AJ10-0AB0
	6ES7317-2AK14-0AB0
CPU 315-2 PN/DP	6ES7315-2EG10-0AB0
	6ES7315-2EH13-0AB0
	6ES7315-2EH14-0AB0
CPU 317-2 PN/DP	6ES7317-2EJ10-0AB0
	6ES7317-2EK13-0AB0
	6ES7317-2EK14-0AB0
CPU 319-3 PN/DP	6ES7318-3EL00-0AB0
	6ES7318-3EL01-0AB0

F-CPU	Order number
CPU 315F-2 DP	6ES7315-6FF0x-0AB0
CPU 317F-2 DP	6ES7317-6FF0x-0AB0
CPU 315F-2 PN/DP	6ES7315-2FH1x-0AB0
	6ES7315-2FJ14-0AB0
CPU 317F-2 PN/DP	6ES7317-2FJ10-0AB0
	6ES7317-2FK13-0AB0
	6ES7317-2FK14-0AB0
CPU 319F-3 PN/DP	6ES7318-3FL00-0AB0
	6ES7318-3FL01-0AB0

## 3.20 Digital output module SM 322; DO 64 x DC 24 V/0.3 A Sinking (6ES7322-1BP50-0AA0)

T-CPU	Order number
CPU 315T-2 DP	6ES7315-6TG10-0AB0
CPU315T-3 PN/DP	6ES7315-7TJ10-0AB0
CPU 317T-2 DP	6ES7317-6TJ10-0AB0
CPU317TF-2 DP	6ES7317-6TF14-0AB0
CPU317T-3 PN/DP	6ES7317-7TK10-0AB0
CPU317TF-3 PN/DP	6ES7317-7UL10-0AB0

C7-CPU	Order number
C7-613	6ES7613-1CA01-0AE3
C7-635 Touch	6ES7635-2EB01-0AE3
C7-635 Key	6ES7635-2EC01-0AE3
C7-636 Touch	6ES7636-2EB00-0AE3
C7-636 Key	6ES7636-2EC00-0AE3

 WARNING
<p><b>Use of the module</b></p> <p>This module must be configured in a STEP 7 project in which the correct address assignment and allocation of the input/output point is ensured. Using the module without having first carried out this configuration work can lead to machines or processes operating in an unexpected manner.</p> <p>If machines or processes do run in an unexpected manner, this can result in death, serious injury, and/or material damage.</p>

### 3.20 Digital output module SM 322; DO 64 x DC 24 V/0.3 A Sinking (6ES7322-1BP50-0AA0)

#### Order number

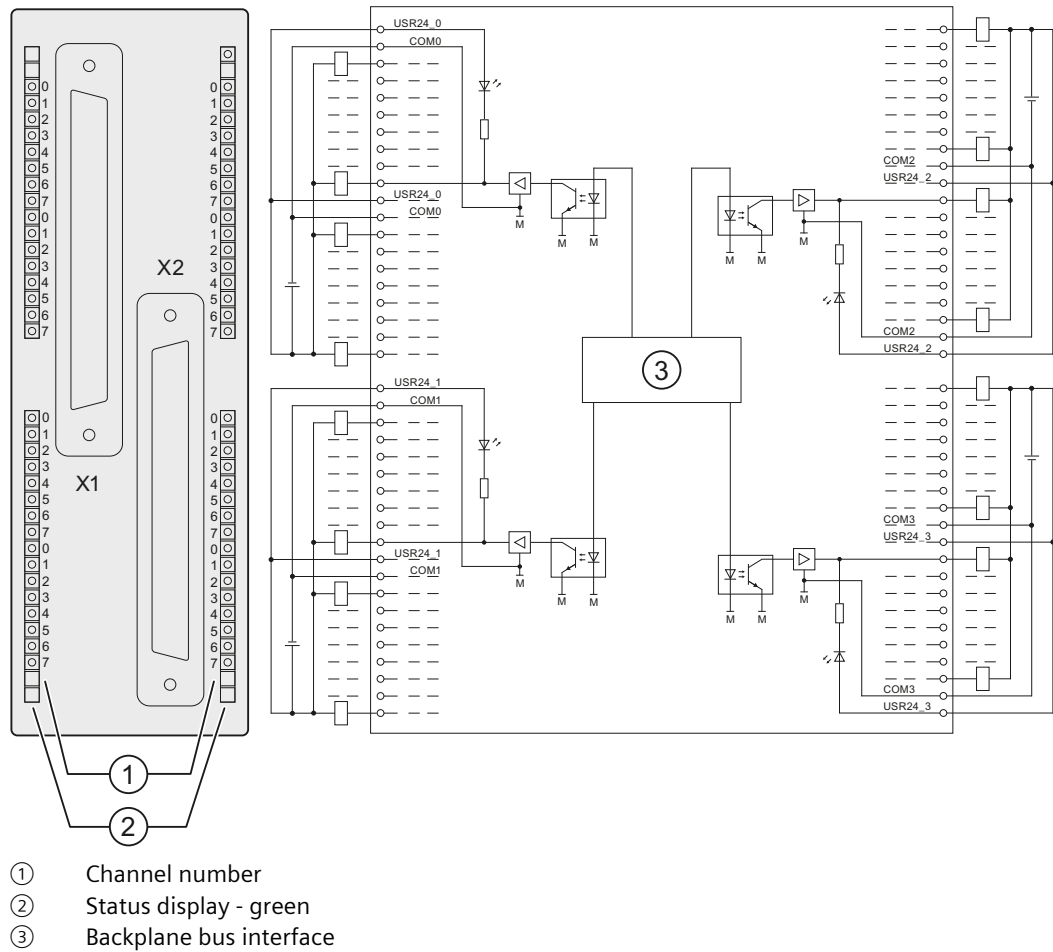
6ES7322-1BP50-0AA0

#### Properties

Characteristics of the SM 322; DO 64 x DC 24 V, 0,3 A Sinking digital output module:

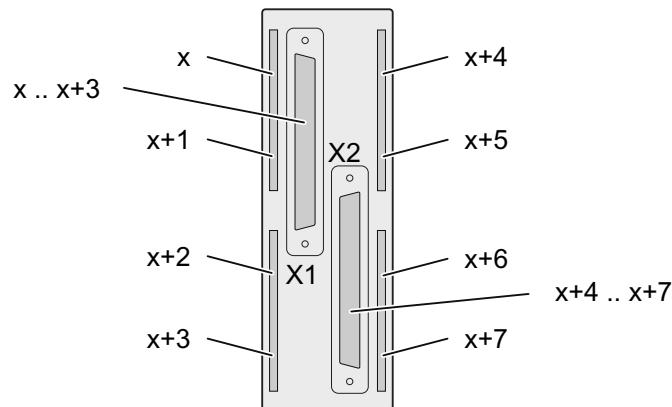
- 64 outputs, isolated in 4 groups of 16
- Rated load voltage 24 V DC

**Wiring and block diagram of SM 322; DO 64 x DC 24 V, 0,3 A Sinking**



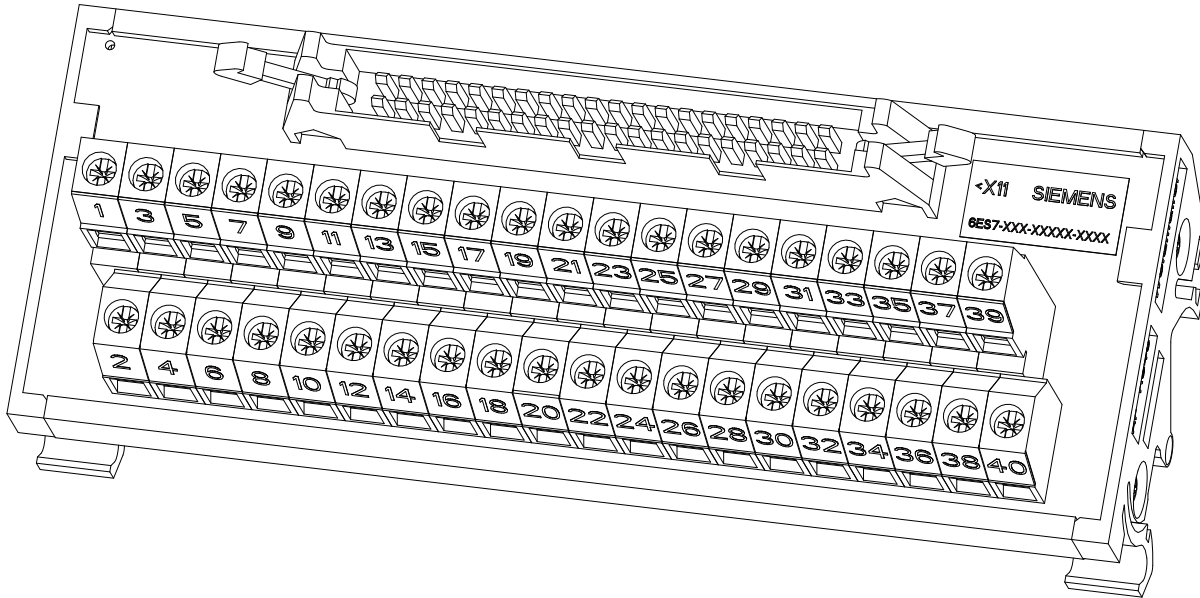
**Terminal assignment of SM 322; DO 64 x DC 24 V, 0,3 A Sinking**

The figure below shows how channels are assigned to addresses (output byte x to output byte x+7).



### 40-pin terminal block

SM 322; DO 64 x DC 24 V/0,3 A Sinking features two terminal blocks for connecting actuators and sensors to the module front connector. A connecting cable is used to establish the module connections.



The table below shows how channel terminals are assigned to the terminal block for module SM 322; DO 64 x DC 24 V/0,3 A Sinking..

Terminal	Function	Terminal	Function
1	O x.0	2	O x+2.0
3	O x.1	4	O x+2.1
5	O x.2	6	O x+2.2
7	O x.3	8	O x+2.3
9	O x.4	10	O x+2.4
11	O x.5	12	O x+2.5
13	O x.6	14	O x+2.6
15	O x.7	16	O x+2.7
17	1M	18	2M
19	1L+	20	2L+
21	O x+1.0	22	O x+3.0
23	O x+1.1	24	O x+3.1
25	O x+1.2	26	O x+3.2
27	O x+1.3	28	O x+3.3
29	O x+1.4	30	O x+3.4
31	O x+1.5	32	O x+3.5
33	O x+1.6	34	O x+3.6

## 3.20 Digital output module SM 322; DO 64 x DC 24 V/0.3 A Sinking (6ES7322-1BP50-0AA0)

Terminal	Function		Terminal	Function
35	O x+1.7		36	O x+3.7
37	1M		38	2M
39	1L+		40	2L+

**NOTE**

Terminals x M and x L+ must be connected on the terminal block.

**Technical specifications of SM 322, DO 64 x DC 24 V, 0,3 A (Sinking)**

Technical specifications	
<b>Dimensions and weight</b>	
Dimensions (W x H x D) (mm)	40 x 125 x 112 (including protective barrier, required for connections which are not in use)
Weight	ca. 260 g
<b>Module-specific data</b>	
Supports isochronous mode	No
Number of outputs	64
Cable length <ul style="list-style-type: none"> <li>Unshielded</li> <li>Shielded</li> </ul>	Max. 600 m Max. 1000 m
<b>Voltages, currents, electrical potentials</b>	
Rated load voltage L+	24 V DC
Total current of outputs (per group)	
For horizontal installation <ul style="list-style-type: none"> <li>Up to 25 °C</li> <li>to 40 °C</li> <li>to 60 °C</li> </ul>	max. 2.0 A max. 1.6 A max. 1.2 A
For vertical installation <ul style="list-style-type: none"> <li>to 40 °C</li> <li>Up to 25 °C</li> </ul>	max. 1.6 A max. 2.0 A
Electrical isolation <ul style="list-style-type: none"> <li>Between channels and the backplane bus</li> <li>Between channels</li> <li>In groups of</li> </ul>	Yes Yes 16
Isolation test voltage	500 VDC
Current consumption <ul style="list-style-type: none"> <li>From the backplane bus</li> <li>From load voltage L+ (no load)</li> </ul>	max. 100 mA max. 75 mA
Power loss of the module	Typ. 6.0 W
<b>Status, interrupts, diagnostics</b>	
Status display	Green LED per channel
Interrupts	None
Diagnostic functions	None

Technical specifications	
Actuator selection data	
Output type Output voltage • "1" signal	Sinking 24 V DC M+ (0.5 V) at full load
Output current "1" signal • Rated value • Permitted range "0" signal (residual current)	Typ. 0.3 A 2.4 mA to 0.36 A <100 µA
Output delay (resistive load) • "0" to "1" transition • "1" to "0" transition	<450 µs <450 µs
Load resistance range	80 Ω to 10 kΩ
Lamp load	Max. 5 W
Wiring two outputs in parallel • for redundant load control • for performance increase	supported (with external diode) not supported
Control of a digital input	supported
Switching frequency • With resistive load • With inductive load to IEC 947-5-1, DC 13 <sup>1</sup> • With lamp load	Max. 100 Hz Max. 0.5 Hz Max. 10 Hz
Internal limiting of the inductive shutdown voltage to:	Typ. 45 V
Short-circuit protection of the output • Response threshold	Yes, electronic 1.7 A to 3.5 A typ.
Wiring of the actuators	Two 40-pin terminal blocks
<sup>1</sup> For loads above 200 mA, a terminal diode is required for the inductive load.	

## Recommended fuse

Groups of outputs must be protected by a 4 A/125 V fast-blow fuse (recommended: Littelfuse 235 004P 125 V 4 A). If the fuse is installed in a danger zone in accordance with the National Electric Code (NEC), you must always use a suitable tool to remove it. Before removing or replacing the fuse, you must determine whether or not you are dealing with a danger zone.

## STEP 7 integration

64-channel I/O modules are integrated with the HSP 2019 V 1.0. The HSP forms part of STEP 7 V 5.4 SP2 and can be installed from STEP 7 V 5.4 and higher.

## GSD/GSDML files

The 64-channel I/O modules are supported by the ET 200M versions listed below. Download the corresponding GSD/GSDML files from the following link: on the Internet (<http://www.siemens.com/automation/service>).

- To search for PROFIBUS GSD files, type in the entry ID 113498.
- To search for PROFINET GSDML files, type in the entry ID: 25057900.



## 3.20 Digital output module SM 322; DO 64 x DC 24 V/0.3 A Sinking (6ES7322-1BP50-0AA0)

**PROFIBUS**

- IM 153-1, as of 6ES7153-1AA03-0XB0, E12 with GSD file SI01801D.\*, version V 1.5
- IM 153-2, as of 6ES7153-2BA02-0XB0, E01 with GSD file SI04801E.\*, version V 1.0

**PROFINET**

- IM 153-4 PN, as of 6ES7153-4AA00-0XB0 with GSDML file version V 2.1
- IM153-4 PN IO HF, as of 6ES7153-4BA00-0XB0 with GSDML file version V2.1

**Using the module in S7-300 and ET 200M**

If the station is configured with STEP 7, you can use the digital output module SM 322 with all CPUs in the following table. Startup cannot be performed if no configuration is loaded.

C-CPU (compact CPUs)	Order number
CPU 312C	6ES7312-5BD0x-0AB0
	6ES7312-5BE03-0AB0
	6ES7312-5BF04-0AB0
CPU 313C	6ES7313-5BE0x-0AB0
	6ES7313-5BF03-0AB0
	6ES7313-5BG04-0AB0
CPU 313C-2 DP	6ES7313-6CE0x-0AB0
	6ES7313-6CF03-0AB0
	6ES7313-6CG04-0AB0
CPU313C-2 PtP	6ES7313-6BE0x-0AB0
	6ES7313-6BF03-0AB0
	6ES7313-6BG04-0AB0
CPU 314C-2 DP	6ES7314-6CF0x-0AB0
	6ES7314-6CG03-0AB0
	6ES7314-6CH04-0AB0
CPU 314C-2 PtP	6ES7314-6BF0x--0AB0
	6ES7314-6BG03--0AB0
	6ES7314-6BH04-0AB0
CPU314C-2 PN/DP	6ES7314-6EH04-0AB0

M-CPU	Order number
CPU 312	6ES7312-1AD1x-0AB0
	6ES7312-1AE13-0AB0
	6ES7312-1AE14-0AB0
CPU 314	6ES7314-1AF1x-0AB0
	6ES7314-1AG13-0AB0
	6ES7314-1AG14-0AB0

3.20 Digital output module SM 322; DO 64 x DC 24 V/0.3 A Sinking (6ES7322-1BP50-0AA0)

M-CPU	Order number
CPU 315-2 DP	6ES7315-2AF0x-0AB0
	6ES7315-2AG10-0AB0
	6ES7315-2AH14-0AB0
CPU 316-2 DP	6ES7316-2AG00-0AB0
CPU 317-2 DP	6ES7317-2AJ10-0AB0
	6ES7317-2AK14-0AB0
CPU315-2 PN/DP	6ES7315-2EG10-0AB0
	6ES7315-2EH13-0AB0
	6ES7315-2EH14-0AB0
CPU317-2 PN/DP	6ES7317-2EJ10-0AB0
	6ES7317-2EK13-0AB0
	6ES7317-2EK14-0AB0
CPU 319-3 PN/DP	6ES7318-3EL00-0AB0
	6ES7318-3EL01-0AB0


F-CPU	Order number
CPU 315F-2 DP	6ES7315-6FF0x-0AB0
CPU 317F-2 DP	6ES7317-6FF0x-0AB0
CPU315F-2 PN/DP	6ES7315-2FH1x-0AB0
	6ES7315-2FJ14-0AB0
CPU 317F-2 PN/DP	6ES7317-2FJ10-0AB0
	6ES7317-2FK13-0AB0
	6ES7317-2FK14-0AB0
CPU 319F-3 PN/DP	6ES7318-3FL00-0AB0
	6ES7318-3FL01-0AB0

T-CPU	Order number
CPU 315T-2 DP	6ES7315-6TG10-0AB0
CPU315T-3 PN/DP	6ES7315-7TJ10-0AB0
CPU317T-2 DP	6ES7317-6TJ10-0AB0
CPU317TF-2 DP	6ES7317-6TF14-0AB0
CPU317T-3 PN/DP	6ES7317-7TK10-0AB0
CPU317TF-3 PN/DP	6ES7317-7UL10-0AB0

C7-CPU	Order number
C7-613	6ES7613-1CA01-0AE3
C7-635 Touch	6ES7635-2EB01-0AE3

## 3.21 Digital output module SM 322; DO 32 x DC 24 V/ 0.5 A; (6ES7322-1BL00-0AA0)

C7-CPU's	Order number
C7-635 Key	6ES7635-2EC01-0AE3
C7-636 Touch	6ES7636-2EB00-0AE3
C7-636 Key	6ES7636-2EC00-0AE3

 <b>WARNING</b>
<p><b>Use of the module</b></p> <p>This module must be configured in a STEP 7 project in which the correct address assignment and allocation of the input/output point is ensured. Using the module without having first carried out this configuration work can lead to machines or processes operating in an unexpected manner.</p> <p>If machines or processes do run in an unexpected manner, this can result in death, serious injury, and/or material damage.</p>

### 3.21 Digital output module SM 322; DO 32 x DC 24 V/ 0.5 A; (6ES7322-1BL00-0AA0)

#### Order number

6ES7322-1BL00-0AA0

#### Properties

Properties of SM 322; DO 32 x DC 24 V/0.5 A:

- 32 outputs, electrically isolated in groups of 8
- Output current 0.5 A
- Rated load voltage 24 V DC
- Suitable for solenoid valves, DC contactors and signal lamps

#### Use of the module with high-speed counters

Please note when using the module in combination with high-speed counters:

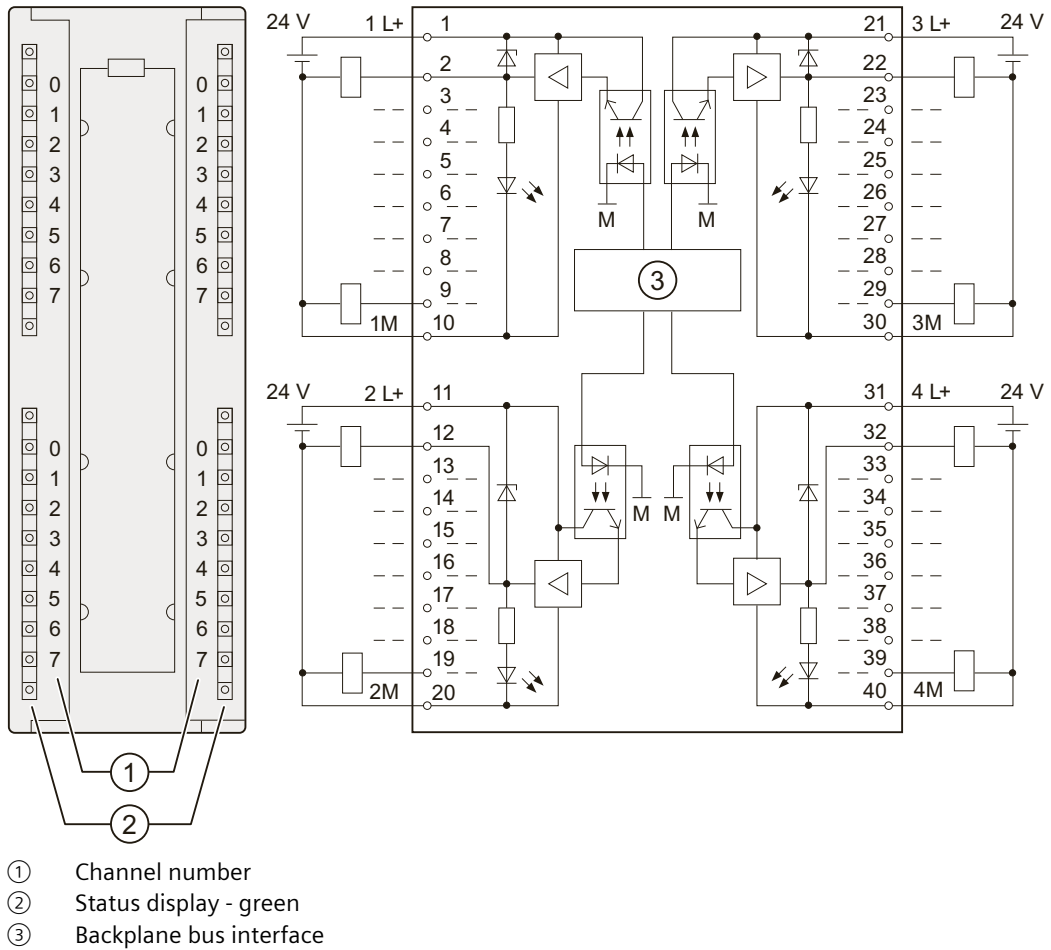
---

#### NOTE

When using a mechanical contact to switch on the 24-V power supply to SM 322; DO 32 x DC 24 V/0.5 A, its outputs will carry "1" signal for the duration of ca. 50 µs due to the circuit structure.

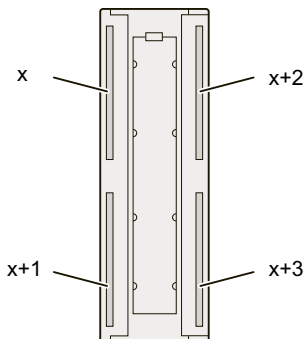
---

**Wiring and block diagram of SM 322; DO 32 x DC 24 V/ 0.5 A**



**Terminal assignment**

The figure below shows the channel addressing (output byte x to output byte x+3).



**SM 322; DO 32 x DC 24 V/ 0.5 A - Technical specifications**

<b>Technical specifications</b>	
<b>Dimensions and weight</b>	
Dimensions W x H x D (mm)	40 x 125 x 117
Weight	ca. 260 g
<b>Module-specific data</b>	
Supports isochronous mode	no
Number of outputs	32
Cable length <ul style="list-style-type: none"> <li>unshielded</li> <li>shielded</li> </ul>	max. 600 m max. 1000 m
<b>Voltages, currents, electrical potentials</b>	
Rated load voltage L+	24 V DC
Total current of outputs (per group)	
<ul style="list-style-type: none"> <li>horizontal mounting position to 40 °C</li> <li>to 60 °C</li> </ul>	max. 4 A max. 3 A
<ul style="list-style-type: none"> <li>vertical mounting position to 40 °C</li> </ul>	max. 2 A
Electrical isolation <ul style="list-style-type: none"> <li>between channels and the backplane bus</li> </ul>	yes
<ul style="list-style-type: none"> <li>between channels in groups of</li> </ul>	yes 8
Isolation test voltage	500 V DC
Current consumption <ul style="list-style-type: none"> <li>from the backplane bus</li> <li>from load voltage L+ (no-load)</li> </ul>	max. 110 mA max. 160 mA
Power loss of the module	typ. 6.6 W
<b>Status, interrupts, diagnostics</b>	
Status display	green LED per channel
Interrupts	none
Diagnostic functions	none
<b>Actuator selection data</b>	
Output voltage <ul style="list-style-type: none"> <li>"1" signal</li> </ul>	min. L + (- 0.8 V)
Output current	
<ul style="list-style-type: none"> <li>"1" signal Rated value Permitted range</li> </ul>	0.5 A 5 mA to 0.6 A
<ul style="list-style-type: none"> <li>"0" signal (residual current)</li> </ul>	max. 0.5 mA
Output delay (resistive load)	
<ul style="list-style-type: none"> <li>"0" to "1" transition</li> <li>"1" to "0" transition</li> </ul>	max. 100 µs max. 500 µs

Technical specifications	
Load resistance range	48 Ω to 4 kΩ
Lamp load	max. 5 W
Wiring two outputs in parallel	
• For redundant load control	supported (only outputs of the same group)
• For performance increase	Not supported
Control of a digital input	Supported
Switching frequency	
• with resistive load	max. 100 Hz
• with inductive load to IEC 947-5-1, DC 13	max. 0.5 Hz
• with lamp load	max. 10 Hz
Internal limiting of the inductive shutdown voltage to	typ. L + (-53 V)
Short-circuit protection of the output	yes, electronic
• Threshold	typ. 1 A
Wiring of the actuators	using a 40-pin front connector

### 3.22 Digital output module SM 322; DO 32 x AC 120/230 V/1 A; (6ES7322-1FL00-0AA0)

#### Order number

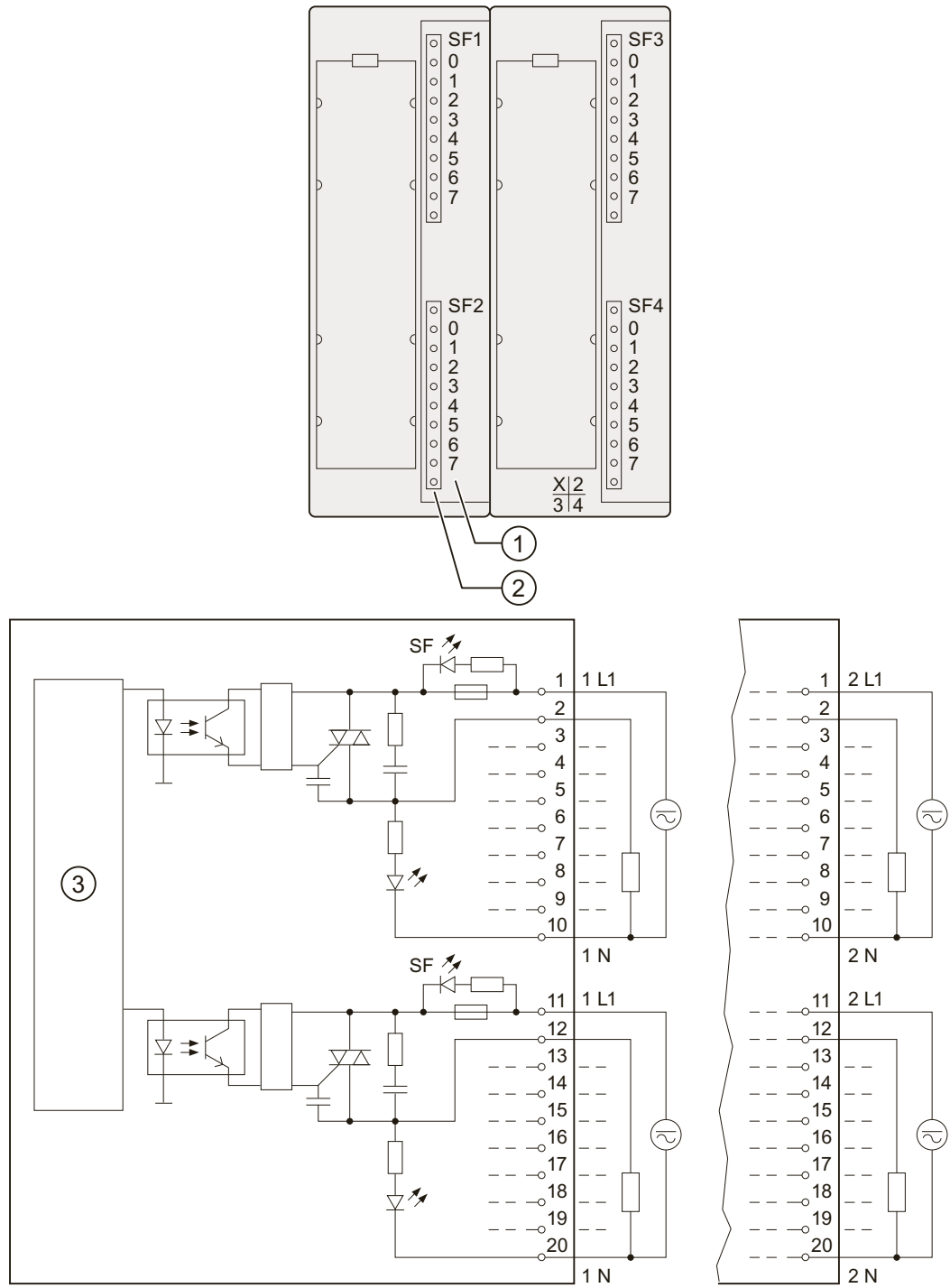
6ES7322-1FL00-0AA0

#### Properties

Properties of SM 322; DO 32 x AC 120/230 V/1 A:

- 32 outputs, fused and electrically isolated in groups of 8
- Output current 1.0 A
- Rated load voltage 120/230 VAC
- Blown fuse indicator for each group
- Suitable for AC solenoids, contactors, starters, FHP motors and signal lamps
- Group error display (SF)

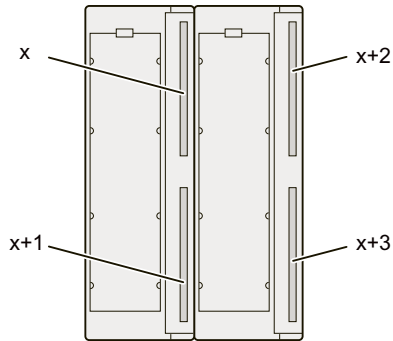
Wiring and block diagram of SM 322; DO 32 x AC 120/230 V/1 A



- ① Channel numbers
- ② Status display - green  
Error LED - red
- ③ Backplane bus interface

### Terminal assignment

The figure below shows the channel addressing (output byte x to output byte x+3).



### SM 322; DO 32 x AC 120/230 V/1 A - Technical specifications

Technical specifications	
<b>Dimensions and weight</b>	
Dimensions W x H x D (mm)	80 x 125 x 117
Weight	ca. 500 g
<b>Module-specific data</b>	
Supports isochronous mode	no
Number of outputs	32
Cable length	
• unshielded	max. 600 m
• shielded	max. 1000 m
<b>Voltages, currents, electrical potentials</b>	
Rated load voltage L1	120/230 VAC
• Maximum frequency range	47 Hz to 63 Hz
Total current of outputs (per group)	
• horizontal mounting position to 60 °C to 40 °C	max. 3 A max. 4 A
• vertical mounting position to 40 °C	max. 4 A
Electrical isolation	
• between channels and the backplane bus	yes
• between channels in groups of	yes 8
Maximum potential difference	
• between M <sub>internal</sub> and outputs	250 VAC
• between outputs of different groups	250 VAC
Isolation test voltage	4000 VDC



## 3.23 Digital output module SM 322; DO 16 x DC 24 V/ 0.5 A; (6ES7322-1BH01-0AA0)

Technical specifications	
Current consumption <ul style="list-style-type: none"> <li>from the backplane bus</li> <li>from load voltage L1 (no-load)</li> </ul>	max. 190 mA max. 10 mA
Power loss of the module	typ. 25 W
Status, interrupts, diagnostics	
Status display	green LED per channel
Interrupts	no
Diagnostic functions <ul style="list-style-type: none"> <li>Group error display</li> </ul>	yes red LED (SF)
Actuator selection data	
Output voltage <ul style="list-style-type: none"> <li>"1" signal</li> </ul>	min. L1 (-0.8 V)
Output current <ul style="list-style-type: none"> <li>"1" signal <ul style="list-style-type: none"> <li>Rated value</li> <li>Permitted range</li> <li>Maximum inrush current (per group)</li> </ul> </li> <li>"0" signal (residual current)</li> </ul>	1 A 10 mA to 1 A 10 A (for two AC cycles) max. 2 mA
Output delay (resistive load) <ul style="list-style-type: none"> <li>"0" to "1" transition</li> <li>"1" to "0" transition</li> </ul>	1 AC cycle 1 AC cycle
Blocking voltage zero transition	max. 60 V
Size of the motor starter	max. size 4 to NEMA
Lamp load	max. 50 W
Wiring two outputs in parallel <ul style="list-style-type: none"> <li>for redundant load control</li> <li>for performance increase</li> </ul>	supported (only outputs of the same group) not supported
Control of a digital input	supported
Switching frequency <ul style="list-style-type: none"> <li>with resistive load</li> <li>with inductive load to IEC 947-5-1, AC 15</li> <li>with lamp load</li> </ul>	max. 10 Hz max. 0.5 Hz 1 Hz
Short-circuit protection of the output	no
Wiring of the actuators	using a 20-pin* front connector

\*Requires two front connectors of the appropriate version

### 3.23 Digital output module SM 322; DO 16 x DC 24 V/ 0.5 A; (6ES7322-1BH01-0AA0)

Order number: "Standard module"

6ES7322-1BH01-0AA0

**Order number: "SIPLUS S7-300 module"**

6AG1322-1BH01-2AA0

**Properties**

Properties of SM 322; DO 16 x DC 24 V/0.5 A:

- 16 outputs, electrically isolated in groups of 8
- Output current 0.5 A
- Rated load voltage 24 V DC
- Suitable for solenoid valves, DC contactors and signal lamps

**Use of the module with high-speed counters**

Please note when using the module in combination with high-speed counters:

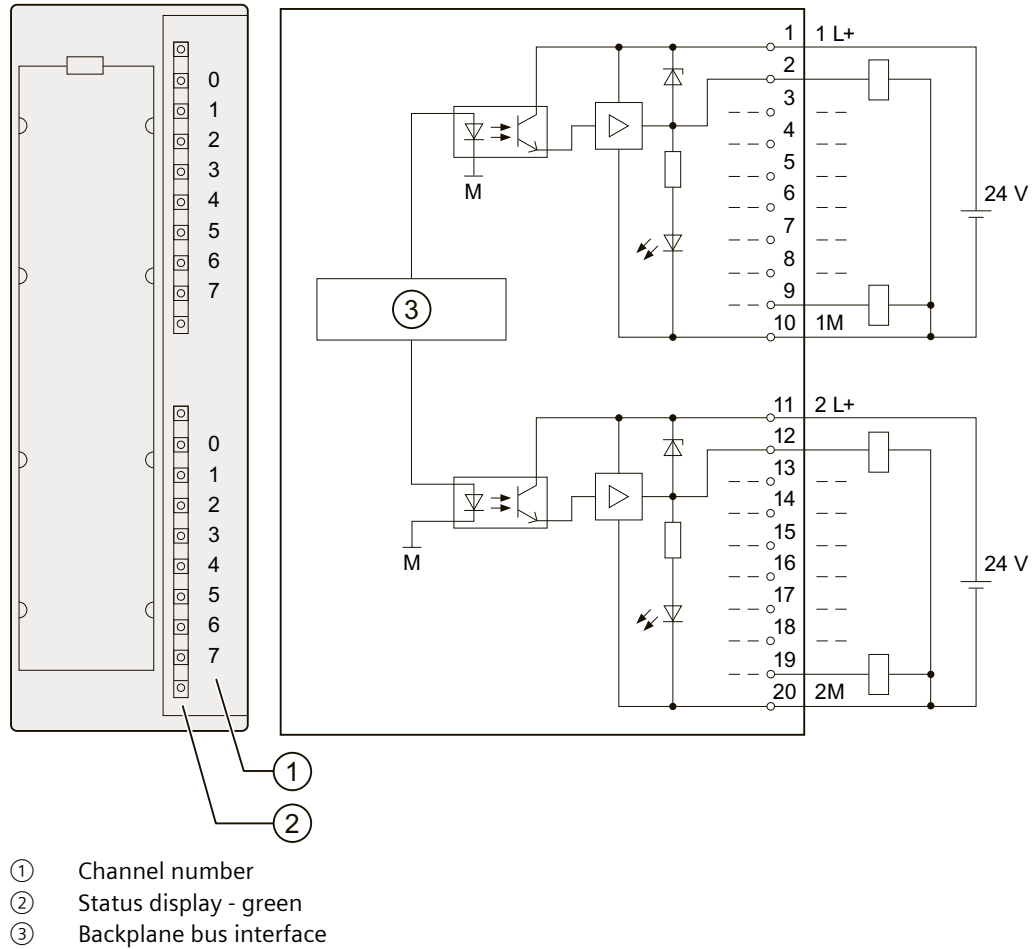
---

**NOTE**

When using a mechanical contact to switch on the 24-V power supply to SM 322; DO 16 x DC 24 V/0.5 A, its outputs will carry "1" signal for the duration of ca. 50 µs, due to the circuit structure.

---

**Wiring and block diagram of SM 322; DO 16 x DC 24 V/ 0.5 A**



**SM 322; DO 16 x DC 24 V/0.5 A - Technical specifications**

Table 3-21

Technical specifications	
<b>Dimensions and weight</b>	
Dimensions W x H x D (mm)	40 x 125 x 117
Weight	ca. 190 g
<b>Module-specific data</b>	
Supports isochronous mode	no
Number of outputs	16
Cable length	
• unshielded	max. 600 m
• shielded	max. 1000 m
<b>Voltages, currents, electrical potentials</b>	
Rated load voltage L+	24 V DC
Total current of outputs (per group)	

<b>Technical specifications</b>	
<ul style="list-style-type: none"> <li>horizontal mounting position to 40 °C</li> <li>to 60 °C</li> </ul>	max. 4 A max. 3 A
<ul style="list-style-type: none"> <li>vertical mounting position to 40 °C</li> </ul>	max. 2 A
Electrical isolation	
<ul style="list-style-type: none"> <li>between channels and the backplane bus</li> </ul>	yes
<ul style="list-style-type: none"> <li>between channels in groups of</li> </ul>	yes 8
Isolation test voltage	500 V DC
Current consumption	
<ul style="list-style-type: none"> <li>from the backplane bus</li> <li>from load voltage L+ (no-load)</li> </ul>	max. 80 mA max. 80 mA
Power loss of the module	typ. 4.9 W
<b>Status, interrupts, diagnostics</b>	
Status display	green LED per channel
Interrupts	none
Diagnostic functions	none
<b>Actuator selection data</b>	
Output voltage	min. L + (- 0.8 V)
<ul style="list-style-type: none"> <li>"1" signal</li> </ul>	
Output current	
<ul style="list-style-type: none"> <li>"1" signal</li> <li>Rated value</li> <li>Permitted range</li> </ul>	0.5 A 5 mA to 0.6 A
<ul style="list-style-type: none"> <li>"0" signal (residual current)</li> </ul>	Max. 0.5 mA
Output delay (resistive load)	
<ul style="list-style-type: none"> <li>"0" to "1" transition</li> </ul>	max. 100 µs
<ul style="list-style-type: none"> <li>"1" to "0" transition</li> </ul>	max. 500 µs
Load resistance range	48 Ω to 4 kΩ
Lamp load	max. 5 W
Wiring two outputs in parallel	
<ul style="list-style-type: none"> <li>For redundant load control</li> </ul>	Supported (only outputs of the same group)
<ul style="list-style-type: none"> <li>For performance increase</li> </ul>	Not supported
Control of a digital input	Supported
Switching frequency	
<ul style="list-style-type: none"> <li>with resistive load</li> </ul>	max. 100 Hz
<ul style="list-style-type: none"> <li>with inductive load to IEC 947-5-1, DC 13</li> </ul>	max. 0.5 Hz
<ul style="list-style-type: none"> <li>with lamp load</li> </ul>	max. 10 Hz
Internal limiting of the inductive shutdown voltage to	typ. L + (-53 V)

Technical specifications	
Short-circuit protection of the output	yes, electronic
• Threshold	typ. 1 A
Wiring of the actuators	using a 20-pin front connector

### 3.24 Digital output module SM 322; DO 16 x DC 24 V/0.5 A: (6ES7322-8BH10-0AB0)

#### Order number

6ES7322-8BH10-0AB0

#### Order number: "SIPLUS S7-300 module"

6AG1322-8BH10-7AB0

#### Properties

The digital output module SM 322; DO 16 x DC24 V/0.5 A is distinguished by the following properties:

- 16 outputs, electrically isolated in groups of 4 channels
- A nominal load voltage of 24 V DC
- Configurable diagnostics
- Programmable diagnostic interrupt
- Redundant
- Wire break at "0" and "1" signal
- Identification Data
- Firmware update possible

#### Use of the module with high-speed counters

Please note when using the module in combination with high-speed counters.

---

#### NOTE

When using a mechanical contact to switch on the 24-V power supply to SM 322; DO 16 x DC 24 V/0.5 A, its outputs will carry "1" signal for the duration of ca. 50 µs, due to the circuit structure.

---

#### Using the module

For the use of the SM 322; DO 16 x DC24V/0.5A, the following hardware and software requirements must be fulfilled:

- For the central use in S7-300, the module can be used with all available CPUs.
- For the decentral use in ET 200M, the module can be used with the following IM 153-modules and compatible successor modules:
  - IM 153-2; as of 6ES7153-2BA02-0XB0, (PROFIBUS).
  - IM 153-2; as of 6ES7153-2BA82-0XB0; (PROFIBUS, OUTDOOR).
  - IM 153-4; as of 6ES7153-4BA0x-0XB0; (PROFINET).

### 3.24 Digital output module SM 322; DO 16 x DC 24 V/0.5 A: (6ES7322-8BH10-0AB0)

- Requirement: STEP 7 V5.5 (HSP0217) or higher.
- A GSD file or a GSDML file must be used if the module is part of a distributed and controlled by a master produced by a third-party manufacturer. The corresponding file for the selected IM 153 is available for download from the Internet (<http://www.siemens.com/automation/service&support>).
- Module diagnosis and identification data (I&M) are available through STEP 7 and with SIMATIC PDM as of V6.0 + SP5 (HSP0217) or SIMATIC PDM V7.0 or higher and EDD for ET 200M "DP\_IOSystem\_Siemens\_ET200M\_Module.Device" as of V1.1.12.

#### Compatible use of the module 6ES7322-8BH0x-0AB0

You can replace the digital output module 6ES7322-8BH0x-0AB0 without changing your settings through a digital output module 6ES7322-8B10-0AB0.

In this case, the module does not offer discrepancy failure monitoring.

If a STEP 7 version before STEP 7 V5.1 SP3 is used, the replacement value behavior will only be entered through the parameter dialog from HW config and transferred to the module during system startup.

In this case, all other settings must be transferred through SIMATIC PDM or in the user program through datasets to the module.

These settings are not saved retentively on the digital output module 6ES7322-8BH10-0AB0 and are reset after restarting the module.

---

#### NOTE

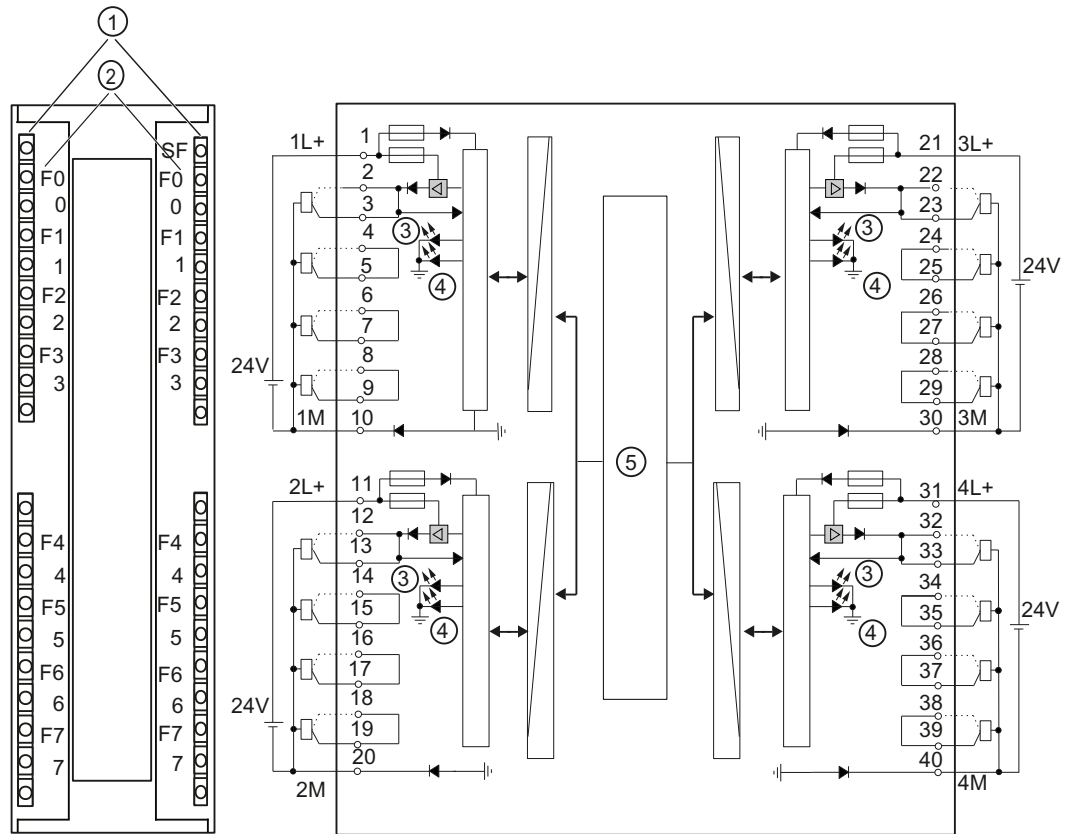
A setting through SIMATIC PDM is only possible with the use of a 6ES7322-8BH10-0AB0 as a replacement for a 6ES7322-8BH0x-0AB0 as long as the device label (6ES7322-8BH0x-0AB0) in SIMATIC PDM was not updated with the actual device label through Device -> Load in PC/PG.

---

#### Redundant use of the module

A redundant use of the module is only permissible if the 6ES7322-8BH10-0AB0 is used and configured for both modules. No short-circuit monitoring occurs according to L+ in redundant use.

### Wiring and block diagram



- ① Status displays - green  
Error - red
- ② Channel numbers  
Numbers 0 to 7 on the right side correspond to channel numbers 8 to 15
- ③ Channel status
- ④ Channel fault
- ⑤ Backplane bus interface

### Redundant Output Signals

Two clamps are on each channel. Both connections are similar and can be used for a redundant control of an actuator. Redundant control can take place from 2 different modules without an external circuit. Both signal modules must be connected to the common reference potential M.

### Technical specifications

Table 3-22 Technical specifications SM 322; DO 16 x DC 24V/0.5A

Technical specifications	
<b>Dimensions and Weight</b>	
Dimensions W x H x D (mm)	40 x 125 x 120
Weight	approx. 300 g
<b>Module-specific data</b>	

3.24 Digital output module SM 322; DO 16 x DC 24 V/0.5 A: (6ES7322-8BH10-0AB0)

<b>Technical specifications</b>	
Supports isochronous mode	No
Number of outputs	16
Cable length	
• Unshielded	Max. 600 m
• Shielded	Max. 1000 m
<b>Voltages, Currents, Potentials</b>	
Nominal load voltage L+	24 V DC
• Reverse polarity protection	Yes
Total current of outputs (per group)	
• Horizontal mounting position to 60 °C	Max. 2 A
• Vertical mounting position to 40 °C	Max. 2 A
Electrical isolation	
• Between channels and the backplane bus	Yes
• between channels in groups of	yes 4
Insulation tested with	DC 500 V
Power consumption	
• From the backplane bus	Max. 100 mA
• From load voltage L+ (without load)	Max. 100 mA
Power dissipation of the module	Typically 6 W
<b>Status, Interrupts, Diagnostics</b>	
Status LEDs	Green LED per channel
Interrupts	
• Diagnostic interrupt	Programmable
Diagnostic functions	Programmable
• Group error display	Red LED (SF)
• Channel error display	red LED, per channel
• Diagnostic information readable	supported
<b>Actuator selection data</b>	
Output voltage	
• "1" signal	Min. L + (- 0.7 V)
• "0" signal	0.7 mA * R <sub>L</sub> (R <sub>L</sub> = load resistance value) max. 31 V for R <sub>L</sub> = infinite
Output current	
• At signal "1" Nominal value Permitted range	0.5 A 5 mA up to 600 mA
• "0" signal (residual current)	Max. 0.7mA
Output delay (with resistive load)	
• At "1" to "0"	Max. 2.7 ms (including module cycle time)



Technical specifications	
• At "1" to "0"	Max. 2.7 ms (including module cycle time)
Load resistor range	48 Ω bis 4kΩ
Lamp load	Max. 5 W
Connecting 2 outputs in parallel	
• For redundant triggering of a load	supported
• To increase performance	Not possible
Control of a digital input	supported
Operating frequency	
• with resistive load	Max. 100 Hz
• With inductive load, to IEC 947-5-1, DC 13	Max. 2 Hz
• With lamp load	Max. 10 Hz
Limit (internal) of the inductive circuit interruption voltage to	Typical L+ (-68 V)
Short-circuit of an output	Yes, electronic
• Response threshold	Typical 1.4 A

### Load resistances of the actuators

The load resistances of the actuators must be in the range from 48 Ω to 4 Ω. For larger values, a suitable resistance must be switched directly on the connection clamps of the actuator (observe the maximum power loss with signal "1").

The permissible rated voltage of the actuator must be greater than 28.2 V.

The lower response threshold of the actuator must be known in the operating temperature range or be determined experimentally. The output voltage of the module with signal "0" can be influenced through parallel switching of a resistance directly on the actuator connection clamps. With the selection of the resistance, the maximum power loss with signal "1" must be observed.

- Load resistances between 10 kΩ and 1 MΩ can be reported as short-circuits after L+.
- Unwired outputs or loads greater than 1 MΩ are reported as "wire-break".

## 3.24.1 Parameters of digital output modules

### Programming

For general information on programming digital modules, refer to the chapter Programming digital modules [\(Page 52\)](#).

The table below describes the programmable parameters of SM 322; DO 16 x DC 24 V/0.5 A, including defaults.

---

#### NOTE

A setting of the module through SIMATIC PDM is not possible.

---

Table 3-23 Setting for the digital output module SM 322; 6ES7322-8BH10-0AB0

Parameters	Value range	Default setting	Applicability
Diagnostics			
• Group diagnostics	Yes/no	no	Channel
• Load voltage L+ missing	Yes/no	No	Channel group
• Discrepancy error	Yes/no	No	Channel group
Diagnostics interrupt	yes/no	no	Module
Response at CPU-STOP	Substitute a value/ Keep last value	Substitute a value	Module
Substitute value	0/1	0	Channel

**See also**

[Settings from the digital output module SM 322; DO 16 x DC 24 V/0.5 A \(6ES7322-8BH10-0AB0\) \(Page 439\)](#)

**3.24.2 Diagnosis of digital output modules****Introduction**

General information in regards to the evaluation of the diagnosis messages can be found in the chapter [Diagnosis of digital modules \(Page 53\)](#) and the design and content of the individual bytes in the chapter [Diagnosis data from the SM 322; DO 16 x DC24 V/0.5 A \(6ES7322-8BH10-0AB0\) \(Page 489\)](#).

Channel errors are signaled with the channel error display (red LED per channel) and reported in the data record 1. As soon as at least one channel error display is lit, the group error display (SF) is also lit.

Module errors are signaled via the diagnostic data record 0/1 and only displayed via the the group error display (SF).

**Group diagnostics**

Through the "Group diagnostics" setting, the message from the channel-specific fields, with the exception of "external load voltage L+", for "Setting error" and the recognition of a discrepancy error can be turned off.

**Load voltage L+ missing**

The approval of the channel diagnostics "external load point L+" occurs in channel groups through the diagnostics setting "Missing load voltage L+". This means that if the load voltage fails, the error will be reported to all four channels of a channel group. Additionally, the module-specific message occurs in the byte 0 of the diagnostics dataset 0 / 1, "external auxiliary voltage missing". Even if the diagnostics of "Missing load voltage L+" is turned off for all channels/channel groups, the recognition within the module remains active. This means that if there is a failure of at least one load voltage, the module error will always be reported in the byte 0 of the diagnostics data set 0 / 1 "External auxiliary voltage missing".

**Fuse blown**

If a fuse is blown, it will always be reported to all four channels of a channel group. In addition to the channel message, there is always the module-specific message in the byte 3 of the diagnostics dataset 0 / 1 "Fuse defect". Even if the "Group diagnostics" setting is

disabled by all channels, a defective fuse will always be reported as module error in the byte 3 of the diagnostics dataset 0 / 1 "Fuse defect".

### Discrepancy error monitoring

For project engineering with the MLFB 6ES7322-8BH10-0AB0, the SM 322 DO 16 x DC24 V / 0.5A offers a discrepancy error monitoring.

The approval of the channel discrepancy error monitoring occurs in channel groups through the "Discrepancy error" diagnostics settings. With an approved discrepancy error monitoring, the module constantly checks the set and actual status of the corresponding digital outputs. With a recognized discrepancy, for example, due to a component defect on the digital module, the corresponding channel group will be turned off and the "Fuse defect" error will be reported to all affected channels in the channel group. After removal/insertion or restart of the module, the digital outputs will be reactivated and the discrepancy test runs again.

A discrepancy error is exclusively reported through the "Fuse defect" error. An additional indication through the byte 3 "Fuse defect" does not occur. Thus, a differentiation between the actual fuse blown and a discrepancy error is possible.

### Description of the Diagnostic Evaluation

You can find a detailed description of how to evaluate diagnostic information in the STEP 7 online help.

## 3.24.3 Firmware update via HW Config

### Introduction

The SM 322; DO 16 x DC 24V/0.5 A can be updated to the newest firmware version depending on the available compatible functional updates.

The most recent firmware versions are available from your Siemens representative or from the Internet (<http://www.siemens.com/automation/service&support>).

### Preconditions / Requirements

- STEP 7 V5.5 +(HSP0217) or higher
- With a central use of the module in a S7-300, the firmware update must occur in the CPU-operating mode STOP. If the CPU is in the operating mode RUN, it may lead to unexpected behavior and the module is only available after a network off/network on.
- If the module is used in a distributed IO device ET 200M with active backplane bus modules (removal and insertion allowed), the a firmware update is also possible in the RUN CPU state.
- With a distributed use without active backplane bus modules, the firmware update is also possible in the RUN CPU state. Please observe that during the firmware update, the distributed IO device will be turned off shortly.

### Firmware update

This is how you update the firmware of a central or distributed module:

1. Select the module SM 322; DO 16 x DC 24V/0.5 A in HW-config.
2. Select PLC > Update Firmware.

3. Use the "Browse" button to select the path to the firmware files (\*.upd).
4. Click the "Run" button.
  - The module performs the firmware update.
5. You can find additional information in the STEP 7 Online Help.

---

**NOTE**

- During the firmware update, the OB 83 (alarm due to removing and inserting modules), the OB 85 (program execution error) and the OB 86 (error due to module rack failure) are opened. If the diagnostics alarm of the module is approved, the OB 82 (diagnostics alarm) will also be opened during the firmware update. Make sure that the OB is set correspondingly.
  - If the red LED (SF) on the module blinks, an error occurred during the firmware update and the update must be repeated. In this case, the bootloader version Ex.x.x is displayed in the online diagnostics.
  - A firmware update through HW-config is not permitted if the module is in redundant mode.
- 

### Identification of the firmware version

After the firmware update, you must label the firmware version on the module.

### 3.24.4 I&M identification data

#### Properties

I data: Information about the module, which is normally found on the module casing. I-data is write-protected. They include:

- Hardware release status
- Firmware release status
- Serial number

M data: System-dependent information (e.g. plant designation).

M data is created during configuration.

All identification data (I&M) is stored retentively in a module and supports you with the following tasks:

- Error search and repair in the system
- Testing the system configuration
- Finding changes to the system hardware.

The SM 322; DO 16 x DC 24V/0.5 A supports:

- I&M 0 (identification)
- I&M 1 (system identification / location identification)
- I&M 2 (installation date)
- I&M 3 ( additional information)

### Reading and writing the identification data with STEP 7

System-dependent information (M-data) is configured in the properties dialog of the module.

---

### 3.25 Digital output module SM 322; DO 16 x DC 24 V/0.5 A High Speed; (6ES7322-1BH10-0AA0)

You obtain information on the module (I data) from the module status dialog. The system-dependent information on the module is displayed here too.

---

**NOTE**

Identification data can only be written for modules if the CPU is in the STOP operating mode.

---

#### Reading and writing the identification data with PDM

Through the "Identification" flap, the identification data is evaluated and transferred to the module. Location identification is not available in PDM.

---

**NOTE**

Identification data can only be written for modules if the CPU is in the STOP operating mode. It is recommended to change at most one entry per download, if applicable, the transferring of the identification data must be activated multiple times.

---

## 3.25 Digital output module SM 322; DO 16 x DC 24 V/0.5 A High Speed; (6ES7322-1BH10-0AA0)

#### Order number

6ES7322-1BH10-0AA0

#### Properties

Properties of SM 322; DO 16 x DC 24 V/0.5 A High Speed:

- 16 outputs, electrically isolated in groups of 8
- Output current 0.5 A
- Rated load voltage 24 V DC
- Suitable for solenoid valves, DC contactors and signal lamps
- Supports isochronous mode

#### Use of the module with high-speed counters

Please note when using the module in combination with high-speed counters:

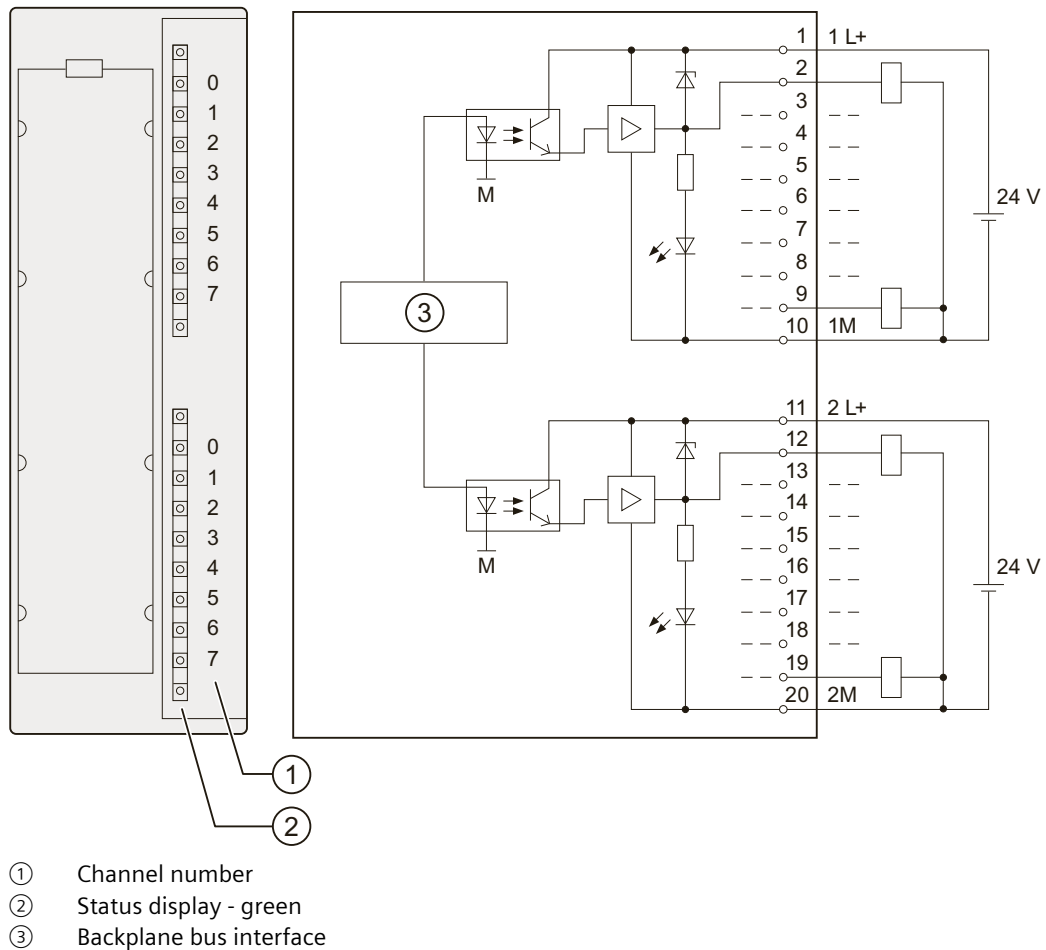
---

**NOTE**

When using a mechanical contact to switch on the 24-V power supply to SM 322; DO 16 x DC 24 V/0.5 A High Speed, its outputs will carry "1" signal for the duration of ca. 50  $\mu$ s, due to the circuit structure.

---

**Wiring and block diagram of SM 322; DO 16 x DC 24 V/0.5 A High Speed**



**Technical specifications of SM 322; DO 16 x DC 24 V/0.5 A High Speed**

Technical specifications	
<b>Dimensions and weight</b>	
Dimensions W x H x D (mm)	40 x 125 x 117
Weight	ca. 200 g
<b>Module-specific data</b>	
Supports isochronous mode	yes
Number of outputs	16
Cable length	
• unshielded	max. 600 m
• shielded	max. 1000 m
<b>Voltages, currents, electrical potentials</b>	
Rated load voltage L+	24 V DC
Total current of outputs (per group)	

## 3.25 Digital output module SM 322; DO 16 x DC 24 V/0.5 A High Speed; (6ES7322-1BH10-0AA0)

<b>Technical specifications</b>	
<ul style="list-style-type: none"> <li>horizontal mounting position to 40 °C to 60 °C</li> </ul>	max. 4 A max. 3 A
<ul style="list-style-type: none"> <li>vertical mounting position to 40 °C</li> </ul>	max. 2 A
Electrical isolation	
<ul style="list-style-type: none"> <li>between channels and the backplane bus</li> </ul>	yes
<ul style="list-style-type: none"> <li>between channels in groups of</li> </ul>	yes 8
Isolation test voltage	500 V DC
Current consumption	
<ul style="list-style-type: none"> <li>from the backplane bus</li> <li>from load voltage L+ (no-load)</li> </ul>	max. 70 mA max. 110 mA
Power loss of the module	typ. 5 W
<b>Status, interrupts, diagnostics</b>	
Status display	green LED per channel
Interrupts	none
Diagnostic functions	none
<b>Actuator selection data</b>	
Output voltage	min. L + (- 0.8 V)
<ul style="list-style-type: none"> <li>"1" signal</li> </ul>	
Output current	
<ul style="list-style-type: none"> <li>"1" signal Rated value Permitted range</li> </ul>	0.5 A 5 mA to 0.6 A
<ul style="list-style-type: none"> <li>"0" signal (residual current)</li> </ul>	Max. 0.5 mA
Output delay (resistive load)	
<ul style="list-style-type: none"> <li>"0" to "1" transition</li> </ul>	max. 100 µs
<ul style="list-style-type: none"> <li>"1" to "0" transition</li> </ul>	max. 200 µs
Internal module cycle time between the backplane bus and the output driver input	
<ul style="list-style-type: none"> <li>"0" to "1" transition</li> </ul>	0.1 µs to 20 µs
<ul style="list-style-type: none"> <li>"1" to "0" transition</li> </ul>	0.1 µs to 20 µs
Load resistance range	48 Ω to 4 kΩ
Lamp load	max. 5 W
Wiring two outputs in parallel	
<ul style="list-style-type: none"> <li>For redundant load control</li> </ul>	Supported (only outputs of the same group)
<ul style="list-style-type: none"> <li>For performance increase</li> </ul>	Not supported
Control of a digital input	Supported
Switching frequency	
<ul style="list-style-type: none"> <li>with resistive load</li> </ul>	max. 1000 Hz

Technical specifications	
• with inductive load to IEC 947-5-1, DC 13	max. 0.5 Hz
• with lamp load	max. 10 Hz
Internal limiting of the inductive shutdown voltage to	typ. L + (-53 V)
Short-circuit protection of the output	yes, electronic
• Threshold	typ. 1 A
Wiring of the actuators	using a 20-pin front connector

### 3.26 Digital output module SM 322; DO 16 x UC 24/48 V; (6ES7322-5GH00-0AB0)

#### Order number

6ES7322-5GH00-0AB0

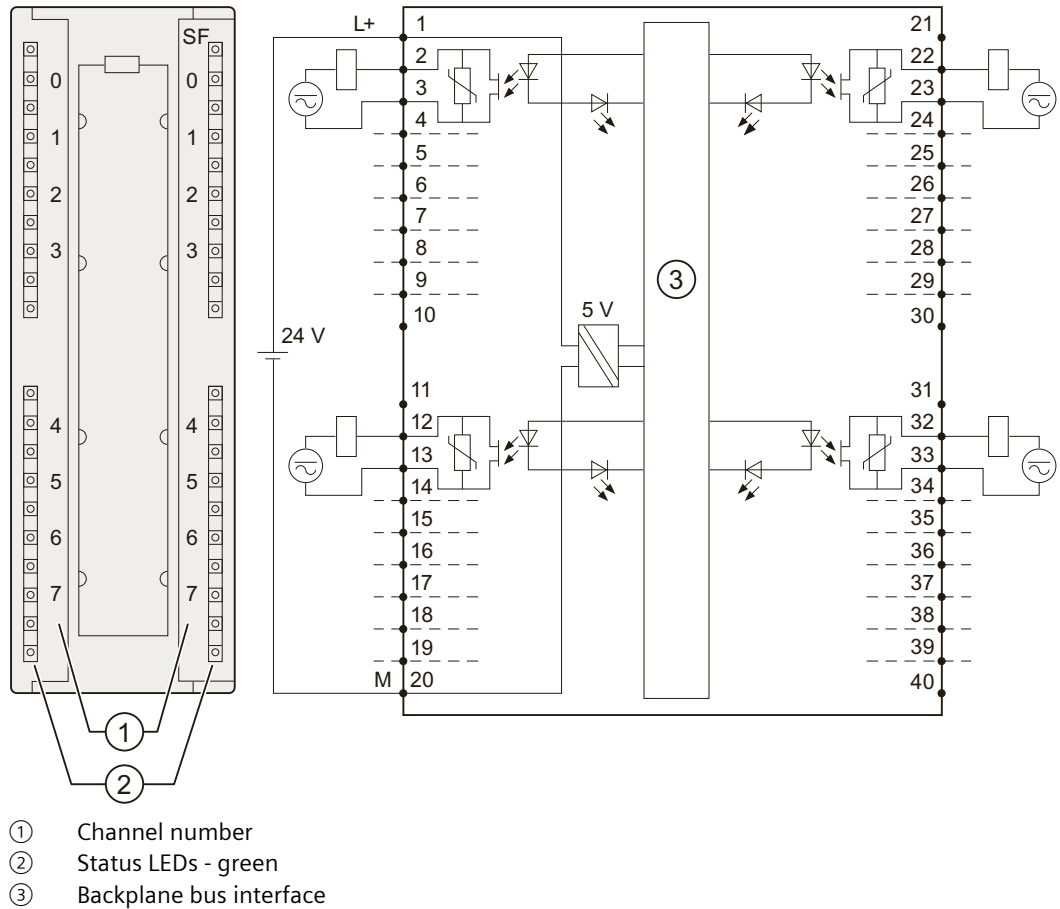
#### Properties

Performance features of the SM 322; DO 16 x UC24/48 V digital output module:

- 16 electrically isolated semiconductor relay outputs
- Electrical isolation between channels of 120 V
- Switching characteristics:  $R_{DS\ ON}$  is typically 0.25 Ohm, and  $R_{DS\ OFF}$  is typically greater than 100 GOhm
- Designed for load voltages up to 48 V AC or DC, no minimum load voltage
- Designed for output loads up to 0.5 A, no minimum load current
- Outputs are fully independent and support any wiring configuration
- Set substitution values or "Hold last values" can be programmed at the outputs for CPU STOP.
- The module supports diagnostics of programming errors and of external power failure
- Suitable for AC solenoids, actuators, motor starters, FHP motors and signal lamps
- Supports parameter reassignment in RUN



**Wiring and block diagram of SM 322; DO 16 x UC 24/48 V**



**Technical specifications of SM 322; DO 16 x UC 24/48 V**

Dimensions and weight	
Dimensions W x H x D (mm)	40 x 125 x 117
Weight	ca. 260 g
Module-specific data	
Supports parameter reassignment in RUN	Yes
• Reaction of non-programmed outputs	Return the output value which was valid before the parameterization
Supports isochronous mode	no
Number of outputs	16
Cable length	
• unshielded	max. 600 m
• shielded	max. 1000 m
Voltages, currents, electrical potentials	
Rated electronics supply voltage L +	24 V DC

3.26 Digital output module SM 322; DO 16 x UC 24/48 V; (6ES7322-5GH00-0AB0)

<b>Dimensions and weight</b>	
<ul style="list-style-type: none"> <li>Reverse polarity protection</li> <li>Power failure buffering</li> </ul>	yes min. 5 ms
Total current of outputs (per group)	
<ul style="list-style-type: none"> <li>horizontal mounting position up to 60 °C</li> </ul>	max. 0.5 A
<ul style="list-style-type: none"> <li>other mounting positions to 40 °C</li> </ul>	max. 0.5 A
Cumulated current of outputs (per module)	
<ul style="list-style-type: none"> <li>horizontal mounting position to 60 °C</li> </ul>	max. 8 A
<ul style="list-style-type: none"> <li>other mounting positions to 40 °C</li> </ul>	max. 8 A
<b>Electrical isolation</b>	
<ul style="list-style-type: none"> <li>between channels and the backplane bus</li> </ul>	yes
<ul style="list-style-type: none"> <li>between channels and electronics power supply</li> </ul>	yes
<ul style="list-style-type: none"> <li>between channels in groups of</li> </ul>	yes 1
Maximum potential difference	
<ul style="list-style-type: none"> <li>between channels and the backplane bus</li> </ul>	170 V DC, 120 V AC
<ul style="list-style-type: none"> <li>between channels and electronics power supply</li> </ul>	170 V DC, 120 V AC
<ul style="list-style-type: none"> <li>between outputs of different groups</li> </ul>	170 V DC, 120 V AC
Isolation test voltage	
<ul style="list-style-type: none"> <li>between channels and the backplane bus</li> </ul>	1500 V AC
<ul style="list-style-type: none"> <li>between channels and electronics power supply</li> </ul>	1500 V AC
<ul style="list-style-type: none"> <li>between outputs of different groups</li> </ul>	1500 V AC
Current consumption	
<ul style="list-style-type: none"> <li>from the backplane bus</li> <li>from supply voltage L+</li> </ul>	max. 100 mA max. 200 mA
Power loss of the module	
typ. 2.8 W	
<b>Status, interrupts, diagnostics</b>	
Status display	green LED per channel
Diagnostic functions	
<ul style="list-style-type: none"> <li>Group error display</li> </ul>	red LED (SF)
Interrupts	
<ul style="list-style-type: none"> <li>Diagnostic interrupt</li> <li>Reading diagnostics information</li> </ul>	programmable supported
<b>Actuator selection data</b>	
Output voltage	
<ul style="list-style-type: none"> <li>"1" signal</li> </ul>	min. L+ (-0.25 V)
Output current	

Dimensions and weight	
<ul style="list-style-type: none"> <li>Rated inrush current (per group) with "1" signal</li> <li>"0" signal (residual current)</li> </ul>	0.5 A max. 1.5 A (max. 50 ms) max. 10 µA
Output delay (resistive load)	
<ul style="list-style-type: none"> <li>"0" to "1" transition</li> <li>"1" to "0" transition</li> </ul>	max. 6 ms max. 3 ms
External fuse for relay outputs	Fuse, I <sup>2</sup> t :1 A <sup>2</sup> s, fast-blow fuse*
Lamp load	max. 2.5 W
Internal parallel wiring of 2 outputs	Varistor, 85 V
<ul style="list-style-type: none"> <li>for redundant load control</li> <li>for performance increase</li> </ul>	supported not supported
Control of a digital input	supported
Switching frequency	
<ul style="list-style-type: none"> <li>with resistive load</li> </ul>	max. 10 Hz
<ul style="list-style-type: none"> <li>with inductive load to IEC 947-5-1; DC 12 AC/12</li> </ul>	max. 0.5 Hz
<ul style="list-style-type: none"> <li>with lamp load</li> </ul>	max. 0.5 Hz
Wiring of the actuators	using a 40pin front connector

\* Outputs must be protected by a 250 V fast-blow fuse (recommended fuses: Wickman 194-1100 1.1 A and Littlefuse 0217-800 V 800 mA.)

When mounted in a hazardous area to National Electric Code (NEC), always remove the fuse when the module is outside of the potentially explosive atmosphere, and use a suitable tool.

## Configuration in RUN

Special considerations must be given if you use the Configuration in RUN function.

SF LED is lit:

Status before re-configuration diagnostics on, SF LEDs lit among others (on CPU, IM or module), although diagnostics are no longer pending and the module is operating correctly.

Solution:

- Only change the configuration when no diagnostics are pending for the module or
- Pulling and plugging the module.

### 3.26.1 Parameters of digital output module SM 322 DO 16 x UC24/48 V

#### Programming

The tables below show data record numbers for static and dynamic parameters.

Table 3-24 Data record 0 (static parameters):

Parameters	Comment
Enable diagnostics	Enabling an interrupt as a reaction to module failure caused by faulty parameter, hardware error, or voltage error.

Table 3-25 Data record 1 (dynamic parameters):

Parameters	Comment
<b>Reaction to CPU STOP</b>	
Hold last value	
Substitute value output	
<b>Substitute value</b>	
Substitute value	Each bit represents an output

This module supports fail state/substitution value outputs when the CPU changes from RUN to STOP.

### Status displays

Each output of this module is equipped with a green LED to indicate the relay state. In addition, a red LED (SF) indicates the diagnostics status of the module.

### Diagnostics, troubleshooting

Diagnostics data are assigned according to the technical data listed below.

The four system diagnostics data bytes can be read in the additional interrupt information as data record 0, or in the first 4 bytes of data record 1.

### Structure of the data record and system diagnostics for SM 322 DO 16x UC 24/48V

Structure of data record 1:

Table 3-26 Structure of the data record for SM 322 DO 16 x UC 24/48 V

Data record 1 byte address	Available information	Contents
0..3	System-specific diagnostics data	4 bytes

System diagnostics for SM 322;DO 16 x UC24/48 V:

Table 3-27 System diagnostics for SM 322 DO 16 x UC 24/48 V

System diagnostics byte 1:		Technical data
D0:	Module fault	yes
D1:	Internal fault	yes
D2:	External fault	yes
D3:	Channel fault	no
D4:	External auxiliary voltage missing	yes
D5:	Front connector missing	no
D6:	Module not programmed	yes
D7:	Incorrect parameters	yes
System diagnostics byte 2:		
D0..D3:	Module class	1111
D4:	Channel information available	no
D5:	User information available	no
D6:	Diagnostics interrupt from substitute	no

## 3.27 Digital output module SM 322; DO 16 x AC 120/230 V/1 A; (6ES7322-1FH00-0AA0)

System diagnostics byte 1:		Technical data
D7:	Reserve	
System diagnostics byte 3:		
D0:	Wrong/missing memory module	no
D1:	Communication error	no
D2:	RUN/STOP operating state	no
D3:	Watchdog timeout	yes
D4:	Internal power failure	no
D5:	Battery 1 low	no
D6:	Backup system failure	no
D7:	Reserve	
System diagnostics byte 4:		
D0:	Rack failure	no
D1:	Processor failure	yes
D2:	EPROM fault	yes
D3:	RAM fault	yes
D4:	DAC error	no
D5:	Fuse blown	no
D6:	Process interrupt lost	no
D7:	Reserve	

### 3.27 Digital output module SM 322; DO 16 x AC 120/230 V/1 A; (6ES7322-1FH00-0AA0)

#### Order number

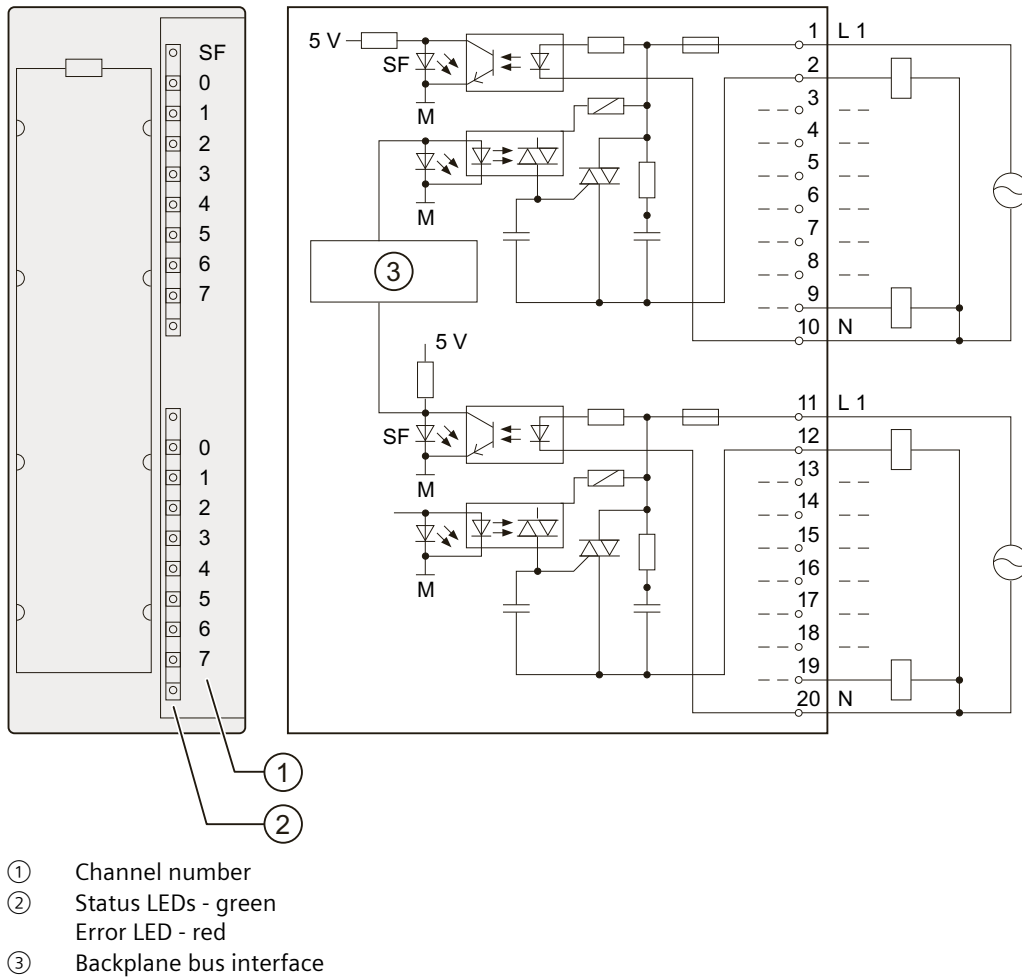
6ES7322-1FH00-0AA0

#### Properties

Properties of digital output module SM 322; DO 16 x AC120/230 V/1 A:

- 16 outputs, fused and electrically isolated in groups of 8
- Output current 1 A
- Rated load voltage 120/230 VAC
- Suitable for AC solenoids, actuators, motor starters, FHP motors and signal lamps

**Wiring and block diagram of SM 322 DO 16 x AC120/230 V/1 A**



**SM 322; DO 16 x AC 120/230 V/1 A - Technical specifications**

Technical specifications	
<b>Dimensions and weight</b>	
Dimensions W x H x D	40 x 125 x 117
Weight	ca. 275 g
<b>Module-specific data</b>	
Supports isochronous mode	No
Number of outputs	16
Cable length	
• unshielded	max. 600 m
• shielded	max. 1000 m
<b>Voltages, currents, electrical potentials</b>	
Load voltage L1 All load voltages must be connected to the same phase	120/230 VAC
Total current of outputs (per group)	

## 3.27 Digital output module SM 322; DO 16 x AC 120/230 V/1 A; (6ES7322-1FH00-0AA0)

<b>Technical specifications</b>	
<ul style="list-style-type: none"> <li>horizontal mounting position to 40 °C to 60 °C</li> </ul>	max. 4 A max. 2 A
<ul style="list-style-type: none"> <li>vertical mounting position to 40 °C</li> </ul>	max. 2 A
Electrical isolation	
<ul style="list-style-type: none"> <li>between channels and the backplane bus</li> </ul>	yes
<ul style="list-style-type: none"> <li>between channels in groups of</li> </ul>	yes 8
Maximum potential difference	
<ul style="list-style-type: none"> <li>between M<sub>internal</sub> and outputs</li> </ul>	230 VAC
<ul style="list-style-type: none"> <li>between outputs of different groups</li> </ul>	500 VAC
Isolation test voltage	
4000 VDC	
Current consumption	
<ul style="list-style-type: none"> <li>from the backplane bus</li> <li>from load voltage L+ (no-load)</li> </ul>	max. 200 mA max. 2 mA
Power loss of the module	
typ. 8.6 W	
<b>Status, interrupts, diagnostics</b>	
Status display	green LED per channel
Interrupts	
<ul style="list-style-type: none"> <li>Diagnostic interrupt</li> </ul>	no
Diagnostic functions	
<ul style="list-style-type: none"> <li>Group error display</li> </ul>	red LED (SF) (fuse or no L1/N)
<b>Actuator selection data</b>	
Output voltage	
<ul style="list-style-type: none"> <li>"1" signal <ul style="list-style-type: none"> <li>At maximum current</li> <li>At minimum current</li> </ul> </li> </ul>	min. L 1 (- 1.5 V) min. L 1 (- 8.5 V)
Output current	
<ul style="list-style-type: none"> <li>"1" signal <ul style="list-style-type: none"> <li>Rated value</li> <li>Permitted range at 0 °C to 40 °C</li> <li>Permitted range at 0°C to 60°C</li> <li>Maximum inrush current (per group)</li> </ul> </li> <li>with "0" signal (residual current)</li> </ul>	1 A 10 mA to 1 A 10 mA to 0.5 A 20 A (two half-waves) max. 2 mA
Blocking voltage	
max. 60 V	
Zero transition	
Size of the motor starter	
max. size 4 to NEMA	
Lamp load	
max. 50 W	
Wiring two outputs in parallel	
<ul style="list-style-type: none"> <li>for redundant load control</li> <li>for performance increase</li> </ul>	supported (only outputs of the same group) no
Control of a digital input	
supported	

Technical specifications	
Switching frequency	
<ul style="list-style-type: none"> <li>with resistive load</li> <li>with inductive load to IEC 947-5-1, AC 15</li> </ul>	max. 10 Hz max. 0.5 Hz
<ul style="list-style-type: none"> <li>with lamp load</li> </ul>	max. 1 Hz
Short-circuit protection of the output	Fuse 8 A, 250 V; per group
<ul style="list-style-type: none"> <li>Fuse-tripping current</li> </ul>	min. 40 A
<ul style="list-style-type: none"> <li>Response time</li> </ul>	max. 300 ms
Replacement fuses	8 A fuse, fast-blowing
<ul style="list-style-type: none"> <li>Wickman</li> <li>Schurter</li> <li>Littlefuse</li> </ul>	19 194-8 A SP001.1014 217.008
Fuse holder	
<ul style="list-style-type: none"> <li>Wickman</li> </ul>	19 653
Wiring of the actuators	using a 20-pin front connector

### 3.28 Digital output module SM 322; DO 8 x DC 24 V/2 A; (6ES7322-1BF01-0AA0)

#### Order number

6ES7322-1BF01-0AA0

#### Properties

Properties of SM 322; DO 8 x DC 24 V/2 A:

- 8 outputs, electrically isolated in groups of 4
- Output current 2 A
- Rated load voltage 24 V DC
- Suitable for solenoid valves, DC contactors and signal lamps

#### Use of the module with high-speed counters

Please note when using the module in combination with high-speed counters:

---

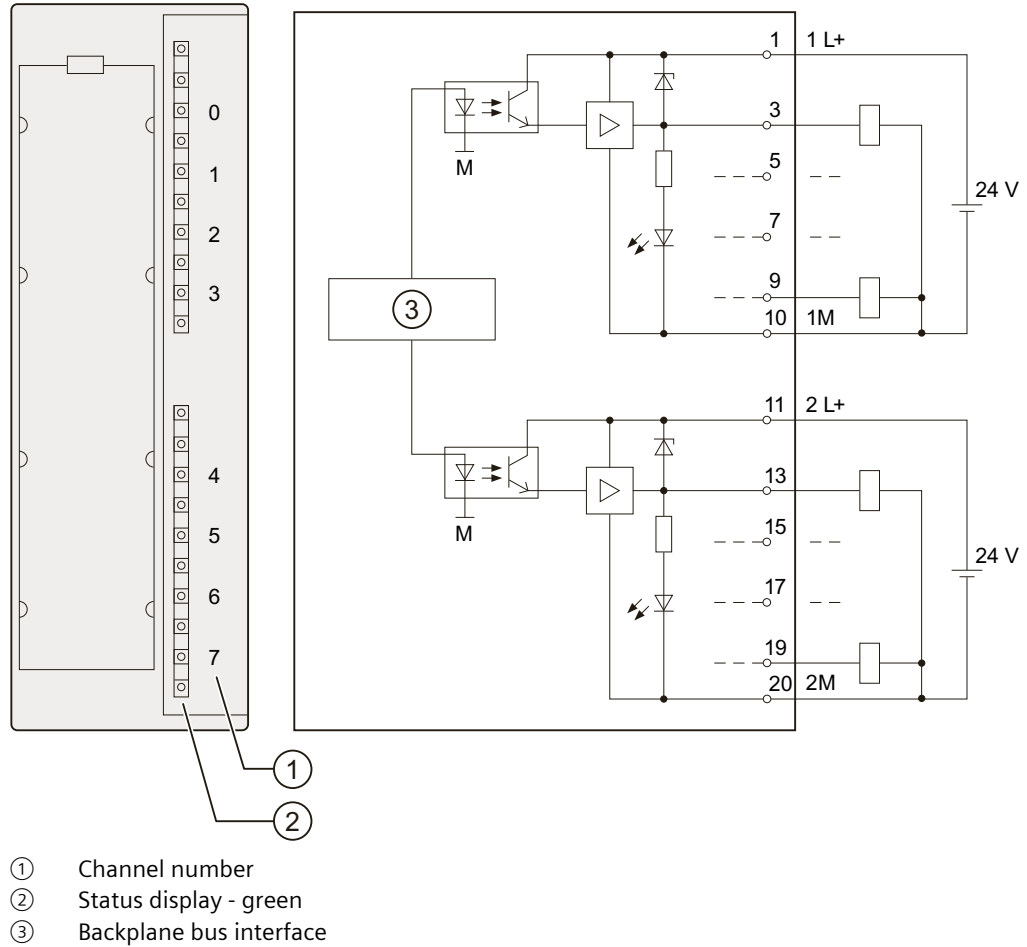
#### NOTE

When using a mechanical contact to switch on the 24-V power supply to SM 322; DO 8 x DC 24 V/2 A, the module outputs will carry a "1" signal for the duration of ca. 50 µs due to the circuit structure.

---



**Wiring and block diagram of SM 322; DO 8 x DC 24 V/2 A**



**SM 322; DO 8 x DC 24 V/2 A - Technical specifications**

Technical specifications	
<b>Dimensions and weight</b>	
Dimensions W x H x D (mm)	40 x 125 x 117
Weight	ca. 190 g
<b>Module-specific data</b>	
Supports isochronous mode	no
Number of outputs	8
Cable length	
• unshielded	max. 600 m
• shielded	max. 1000 m
<b>Voltages, currents, electrical potentials</b>	
Rated load voltage L+	24 V DC
Total current of outputs (per group)	

3.28 Digital output module SM 322; DO 8 x DC 24 V/2 A; (6ES7322-1BF01-0AA0)

<b>Technical specifications</b>	
• horizontal mounting position to 60 °C	max. 4 A
• vertical mounting position to 40 °C	max. 4 A
Electrical isolation	
• between channels and the backplane bus	yes
• between channels in groups of	yes 4
Isolation test voltage	500 V DC
Current consumption	
• from the backplane bus	max. 40 mA
• from load voltage L+ (no-load)	max. 60 mA
Power loss of the module	typ. 6.8 W
<b>Status, interrupts, diagnostics</b>	
Status display	green LED per channel
Interrupts	none
Diagnostic functions	none
<b>Actuator selection data</b>	
Output voltage • "1" signal	min. L+ (- 0.8 V)
Output current	
• "1" signal Rated value Permitted range	2 A 5 mA to 2.4 A
• with "0" signal (residual current)	max. 0.5 mA
Output delay (with resistance load)	
• "0" to "1" transition	max. 100 µs
• "1" to "0" transition	max. 500 µs
Load resistance range	12 Ω to 4 kΩ
Lamp load	max. 10 W
Wiring two outputs in parallel	
• for redundant load control	supported (only outputs of the same group)
• for performance increase	not supported
Control of a digital input	supported
Switching frequency	
• with resistive load	max. 100 Hz
• with inductive load to IEC 947-5-1, DC 13	max. 0.5 Hz
• with lamp load	max. 10 Hz
Internal limiting of the inductive shutdown voltage to	typ. L + (-48 V)

## 3.29 Digital output module SM 322; DO 8 x DC 24 V/ 0.5 A; with diagnostics interrupt; (6ES7322-8BF00-0AB0)

Technical specifications	
Short-circuit protection of the output	yes, electronic
• Threshold	typ. 3 A
Wiring of the actuators	using a 20-pin front connector

### 3.29 Digital output module SM 322; DO 8 x DC 24 V/ 0.5 A; with diagnostics interrupt; (6ES7322-8BF00-0AB0)

#### Order number: "Standard module"

6ES7322-8BF00-0AB0

#### Order number: "SIPLUS S7-300 module"

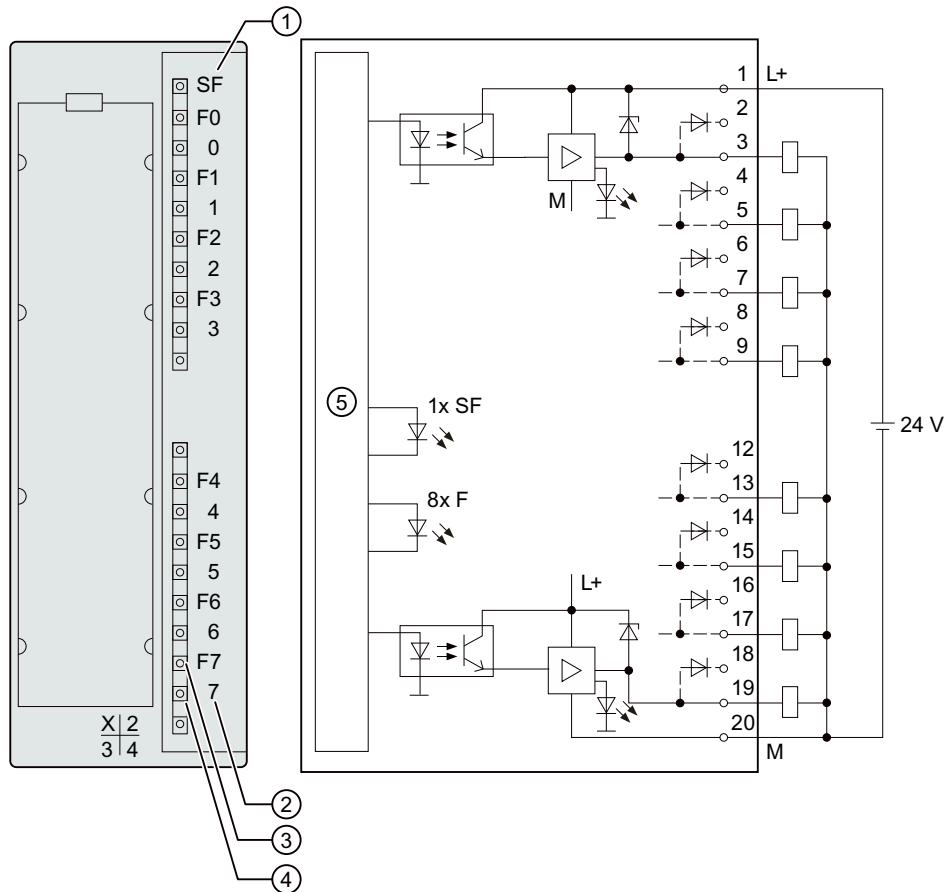
6AG1322-8BF00-2AB0

#### Properties

Properties of SM 322; DO 8 x DC 24 V/0.5 A:

- 8 outputs, electrically isolated in groups of 8
- Output current 0.5 A
- Rated load voltage 24 V DC
- Suitable for solenoid valves, DC contactors and signal lamps
- 2 terminals per output
  - Output without series diode
  - Output with series diode (for redundant load control)
- Group error display (SF)
- Channel-specific status and error LEDs
- Programmable diagnostics
- Programmable diagnostic interrupt
- Programmable substitute value output
- Supports parameter reassignment in RUN

### Wiring and block diagram of SM 322; DO 8 x DC 24 V / 0.5 A



- ① Group error display -red-
- ② Channel number (0 ... 7)
- ③ Channel fault display -red- (F0 ... F7)
- ④ Status display -green-
- ⑤ Backplane bus interface

Figure 3-9 Wiring and block diagram of SM 322; DO 8 x 24 V DC / 0.5

### Redundant load control

The output with series diode can be used for redundant load control. Redundant control without external circuitry is possible using two different signal modules. Both modules must be connected to the common reference potential M.

#### NOTE

It is not possible to detect external short-circuits to L+ at output with series diode.

**SM 322; DO 8 x DC 24 V/0.5 A - Technical specifications**

<b>Technical specifications</b>	
<b>Dimensions and weight</b>	
Dimensions W x H x D (mm)	40 x 125 x 117
Weight	ca. 210 g
<b>Module-specific data</b>	
Supports parameter reassignment in RUN	Yes
<ul style="list-style-type: none"> <li>Reaction of non-programmed outputs</li> </ul>	Return the output value which was valid before the parameterization
Supports isochronous mode	no
Number of outputs	8
Cable length <ul style="list-style-type: none"> <li>unshielded</li> <li>shielded</li> </ul>	max. 600 m max. 1000 m
<b>Voltages, currents, electrical potentials</b>	
Rated load voltage L+	24 V DC
Total current (per group) of outputs without series diode	
<ul style="list-style-type: none"> <li>horizontal mounting position to 40 °C to 60 °C</li> </ul>	max. 4 A max. 3 A
<ul style="list-style-type: none"> <li>vertical mounting position to 40 °C</li> </ul>	max. 4 A
Total current of outputs (per group) with series diode	
<ul style="list-style-type: none"> <li>horizontal mounting position to 40 °C to 60 °C</li> </ul>	max. 3 A max. 2 A
<ul style="list-style-type: none"> <li>vertical mounting position to 40 °C</li> </ul>	max. 3 A
Electrical isolation <ul style="list-style-type: none"> <li>between channels and the backplane bus</li> </ul>	yes
<ul style="list-style-type: none"> <li>between channels in groups of</li> </ul>	yes 8
Isolation test voltage	500 V DC
Current consumption <ul style="list-style-type: none"> <li>from the backplane bus</li> <li>from load voltage L+ (no-load)</li> </ul>	max. 70 mA max. 90 mA
Power loss of the module	typ. 5 W
<b>Status, interrupts, diagnostics</b>	
Status display	green LED per channel
Interrupts <ul style="list-style-type: none"> <li>Diagnostic interrupt</li> </ul>	programmable

Technical specifications	
Diagnostic functions <ul style="list-style-type: none"> <li>Group error display</li> <li>Channel error display (F)</li> <li>Reading diagnostics data</li> </ul>	programmable red LED (SF) red LED (F) per channel supported
Actuator selection data	
Output voltage <ul style="list-style-type: none"> <li>"1" signal without series diode</li> <li>with series diode</li> </ul>	min. L + (- 0.8 V) min. L+ (-1.6 V)
Output current	
<ul style="list-style-type: none"> <li>"1" signal</li> <li>Rated value</li> <li>Permitted range</li> </ul>	0.5 A 10 mA to 0.6 A <sup>1)</sup>
<ul style="list-style-type: none"> <li>"0" signal (residual current)</li> </ul>	max. 0.5 mA
Output delay (resistive load) <ul style="list-style-type: none"> <li>"0" to "1" transition</li> <li>"1" to "0" transition</li> </ul>	max. 180 µs max. 245 µs
Load resistance range	48 Ω to 3 kΩ
Lamp load	max. 5 W
Wiring two outputs in parallel	
<ul style="list-style-type: none"> <li>for redundant load control</li> </ul>	Only outputs with series diode and common reference potential
<ul style="list-style-type: none"> <li>for performance increase</li> </ul>	not supported
Control of a digital input	supported 1 binary input to IEC 61131, Type 2; Type 1, with disabled wire-break monitoring
Switching frequency <ul style="list-style-type: none"> <li>with resistive load</li> <li>with inductive load to IEC 947-5-1, DC 13</li> <li>with lamp load</li> </ul>	max. 100 Hz max. 2 Hz max. 10 Hz
Internal limiting of the inductive shutdown voltage to	typ. L + (-45 V)
Short-circuit protection of the output	yes, electronic
<ul style="list-style-type: none"> <li>Threshold</li> </ul>	typ. 0.75 A to 1.5 A
Wiring of the actuators	using a 20-pin front connector
1) 5 mA to 0.6 A, with disabled wire-break monitoring	

## Configuration in RUN

Special considerations must be given if you use the Configuration in RUN function.

SF LED is lit:

Status before re-configuration diagnostics on, SF LEDs lit among others (on CPU, IM or module), although diagnostics are no longer pending and the module is operating correctly.

Solution:

- Only change the configuration when no diagnostics are pending for the module or
- Pulling and plugging the module.

### 3.29.1 SM 322; DO 8 x DC 24 V/0.5 A - Parameters

#### Programming

The general procedure of programming digital modules is described in the chapter Programming digital modules ([Page 52](#)).

#### SM 322; DO 8 x DC 24 V/0.5 A - Parameters

The table below lists the programmable parameters of SM 322; DO 8 x DC 24 V/0.5 A, including defaults.

The defaults apply if you have not set any parameters in **STEP 7**.

Table 3-28 Parameters of SM 322; DO 8 x DC 24 V/0.5 A

Parameters	Range of values	Default	Parameter type	Scope
Enable				
• Diagnostics interrupt	yes/no	no	dynamic	Module
Reaction to CPU STOP	Set substitute value (SSV) Hold last value (HLV)	SSV		
Diagnostics			static	Channel
• Wirebreak	yes/no	no		
• No load voltage L	yes/no	no		
• Short-circuit to M	yes/no	no		
• Short-circuit to L	yes/no	no		
Set substitute value "1"	yes/no	no	dynamic	Channel

### 3.29.2 SM 322; DO 8 x DC 24 V/0.5 A - Diagnostics

#### Diagnostics messages of SM 322; DO 8 x DC 24 V/0.5 A

The table provides an overview of the diagnostic messages of SM 322; DO 8 x DC 24 V/0.5 A

Table 3-29 Diagnostics messages of SM 322; DO 8 x DC 24 V/0.5 A

Diagnostics message	LED	Scope of diagnostics	programmable
Wire-break*	SF	Channel	yes
Load voltage missing	SF	Channel	yes
Short-circuit to M	SF	Channel	yes
Short-circuit to L+	SF	Channel	yes
External auxiliary voltage missing	SF	Module	no
Internal auxiliary voltage missing	SF	Module	no
Fuse blown	SF	Module	no
Watchdog time-out	SF	Module	no
EPROM fault	SF	Module	no
RAM fault	SF	Module	no

\* The module detects a wire-break at a current < 1 mA.  
If configured accordingly, the SF LED and corresponding channel error LED light up when a wire-break is detected.

#### NOTE

Prerequisite for the detection of errors indicated by programmable diagnostic messages is an appropriate configuration of the digital module in *STEP 7*.

#### Causes of error and troubleshooting

Table 3-30 Diagnostic messages of SM 322; DO 8 x DC 24 V/0.5 A, causes of error and troubleshooting

Diagnostics message	Error detection condition ...	Possible cause of error	To correct or avoid error
Wirebreak	Only when output = "1"	Wire-break between the module and actuator	Connect the cable
		Channel not connected (open)	Disable the "wire-break diagnostics" parameter for the channel in <i>STEP 7</i>
Load voltage missing	Only when output = "1"	Defective output	Replace the module
Short-circuit to M	Only when output = "1"	Overload at output	Eliminate overload
		Short-circuit of output to M	Eliminate the short-circuit
Short-circuit to L+	generally	Short-circuit at output to L+ of the module power supply	Eliminate the short-circuit
External auxiliary voltage missing	generally	Power supply L+ to module missing	Feed supply L+
Internal auxiliary voltage missing	generally	Power supply L+ to module missing	Feed supply L+
		Fuse blown in module	Replace the module



## 3.29 Digital output module SM 322; DO 8 x DC 24 V/ 0.5 A; with diagnostics interrupt; (6ES7322-8BF00-0AB0)

Diagnostics message	Error detection condition ...	Possible cause of error	To correct or avoid error
Fuse blown	generally	Fuse blown in module	Replace the module
Watchdog timeout	generally	Infrequent high electromagnetic interference	Eliminate the interference
		Defective module	Replace the module
EPROM fault	generally	Infrequent high electromagnetic interference	Eliminate interference and cycle the power supply of CPU off/on.
		Defective module	Replace the module
RAM fault	generally	Infrequent high electromagnetic interference	Eliminate interference and cycle the power supply of CPU off/on.
		Defective module	Replace the module

## 3.29.3 SM 322; DO 8 x DC 24 V/0.5 A - Behavior

## Influence of the operating state and supply voltage on output values

The output values of SM 322; DO 8 x DC 24V/0.5 A are determined by the CPU's operating state and the module's power supply.

Table 3-31 Influence of the CPU operating state and of the supply voltage L+ of SM 322; DO 8 24 VDC/0.5 A on output values.

CPU operating state		Power supply L+ at digital module	Output value of the digital module
POWER ON	RUN	L+ present	CPU value
		L+ missing	0 signal
	STOP	L+ present	Substitute value/last value (default = 0 signal)
		L+ missing	0 signal
POWER OFF	-	L+ present	0 signal
		L+ missing	0 signal

## Reaction to power failure

Failure of the power supply to SM 322; DO 8 x DC 24V/0.5 A is always indicated at the module's SF LED. This information is also available on the module (entry in diagnostics data.) Triggering of diagnostics interrupts is determined by the parameter settings (see the next chapter Interrupts of SM 322; DO 8 x DC 24/0.5 A (Page 157)).

## See also

[SM 322; DO 8 x DC 24 V/0.5 A - Parameters \(Page 154\)](#)

## 3.29.4 SM 322; DO 8 x DC 24 V/0.5 A - Interrupts

## Introduction

The SM 322; DO 8 x DC 24 V/0.5 A can trigger diagnostic interrupts.

### 3.30 Digital output module SM 322; DO 8 x DC 48-125 V/1.5 A; (6ES7322-1CF00-0AA0)

For detailed information on the OBs and SFCs mentioned below, refer to the *STEP 7 Online Help*.

#### Enabling interrupts

There is no default interrupt setting, i.e. interrupts are disabled if parameters are not set accordingly. Program the interrupt enable parameter in **STEP 7**.

#### Diagnostics interrupt

Incoming error events (initial occurrence) and outgoing error events (error is cleared) are reported by means of diagnostics interrupt, if this interrupt is enabled.

The CPU interrupts user program execution in order to process diagnostics interrupt OB82. You can call SFC51 or 59 in OB82 in the user program to view detailed diagnostics data output by the module.

Diagnostics data remain consistent until the program exits OB82. The module acknowledges the diagnostics interrupt when the program exits OB82.

#### See also

[SM 322; DO 8 x DC 24 V/0.5 A - Parameters \(Page 154\)](#)

## 3.30 Digital output module SM 322; DO 8 x DC 48-125 V/1.5 A; (6ES7322-1CF00-0AA0)

#### Order number: "Standard module"

6ES7322-1CF00-0AA0

#### Order number: "SIPLUS S7-300 module"

6AG1322-1CF00-2AA0

#### Properties

Properties of SM 322; DO 8 x DC 48-125 V/1.5 A:

- 8 outputs, with reverse polarity protection, and electrically isolated in groups of 4
- Output current 1.5 A
- Rated load voltage 48 VDC to 125 VDC
- Suitable for solenoid valves, DC contactors and signal lamps
- Group error display (SF)

#### Use of the module with high-speed counters

Please note when using the module in combination with high-speed counters:

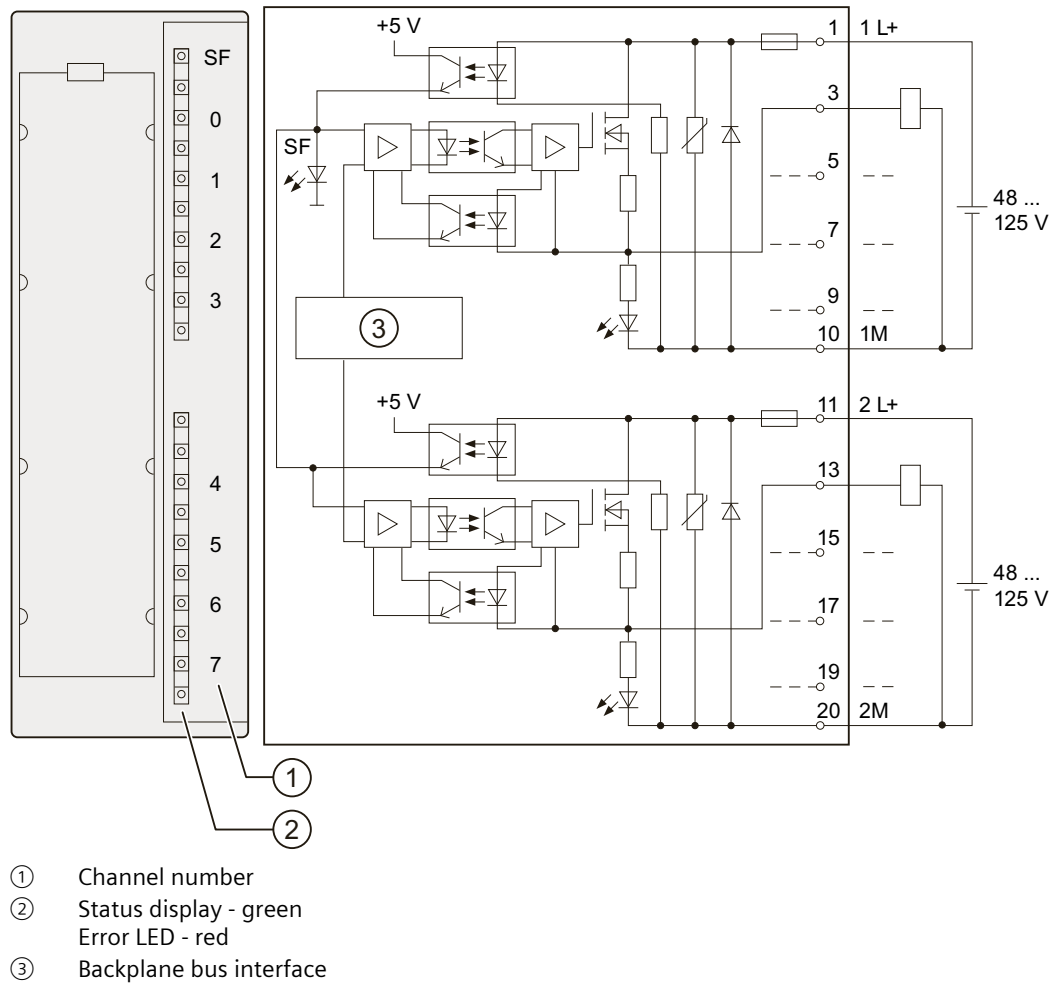
---

#### NOTE

When using a mechanical contact to switch on the power supply, the outputs of SM 322; DO 8 x DC 48-125 V/1.5 A will carry a "1" signal for the duration of ca. 50 µs due to the circuit structure.

---

**Wiring and block diagrams of SM 322; DO 8 x DC 48-125 V/1.5 A**



**Technical specifications of M 322; DO 8 x DC 48-125 V/1.5 A**

Technical specifications	
<b>Dimensions and weight</b>	
Dimensions W x H x D (mm)	40 x 125 x 117
Weight	ca. 250 g
<b>Module-specific data</b>	
Supports isochronous mode	no
Number of outputs	8
Cable length	
• unshielded	max. 600 m
• shielded	max. 1000 m
<b>Voltages, currents, electrical potentials</b>	
Rated load voltage L+	48 VDC to 125 VDC
• Reverse polarity protection	yes, by fusing <sup>1)</sup>
Total current of outputs (per group)	

3.30 Digital output module SM 322; DO 8 x DC 48-125 V/1.5 A; (6ES7322-1CF00-0AA0)

<b>Technical specifications</b>	
<ul style="list-style-type: none"> <li>horizontal mounting position to 40 °C</li> <li>to 50 °C</li> <li>to 60 °C</li> </ul>	max. 6 A max. 4 A max. 3 A
<ul style="list-style-type: none"> <li>vertical mounting position to 40 °C</li> </ul>	max. 4 A
Electrical isolation	yes
<ul style="list-style-type: none"> <li>between channels and the backplane bus</li> </ul>	
<ul style="list-style-type: none"> <li>between channels in groups of</li> </ul>	yes 4
Maximum potential difference	
<ul style="list-style-type: none"> <li>between different circuits</li> </ul>	146 VDC / 132 VAC
Isolation test voltage	1500 VAC
Current consumption	
<ul style="list-style-type: none"> <li>from the backplane bus</li> <li>from load voltage L+ (no-load)</li> </ul>	max. 100 mA max. 2 mA
Power loss of the module	typ. 7.2 W
<b>Status, interrupts, diagnostics</b>	
Status display	green LED per channel
Interrupts	none
Diagnostic functions	
<ul style="list-style-type: none"> <li>Group error display</li> </ul>	red LED (SF) <sup>2)</sup>
<b>Actuator selection data</b>	
Output voltage	
<ul style="list-style-type: none"> <li>"1" signal</li> </ul>	min. L+ (-1.2 V)
Output current	
<ul style="list-style-type: none"> <li>"1" signal</li> <li>Rated value</li> <li>Permitted range</li> </ul>	1.5 A 10 mA to 1.5 A
<ul style="list-style-type: none"> <li>Permitted surge current</li> </ul>	max. 3 A for a duration of 10 ms
<ul style="list-style-type: none"> <li>with "0" signal (residual current)</li> </ul>	max. 0.5 mA
Output delay (resistive load)	
<ul style="list-style-type: none"> <li>"0" to "1" transition</li> <li>"1" to "0" transition</li> </ul>	max. 2 ms max. 15 ms
Lamp load	max. 15 W at 48 V max. 40 W at 125 V
Wiring two outputs in parallel	
<ul style="list-style-type: none"> <li>for redundant load control</li> </ul>	supported (only outputs of the same group)
<ul style="list-style-type: none"> <li>for performance increase</li> </ul>	not supported
Control of a digital input	supported
Switching frequency	
<ul style="list-style-type: none"> <li>with resistive load</li> <li>with inductive load</li> <li>with lamp load</li> </ul>	max. 25 Hz max. 0.5 Hz max. 10 Hz

## 3.31 Digital output module SM 322;DO 8 x AC 120/230 V/2 A; (6ES7322-1FF01-0AA0)

Technical specifications	
Internal limiting of the inductive shutdown voltage to	typ. M (-1V)
Short-circuit protection of the output • Threshold	yes, electronic <sup>3)</sup> typ. 4.4 A
Replacement fuses	Fuse 6.3 A/250 V, fast-blow, 5 x 20 mm
• Schurter • Littlefuse	SP0001.1012 194-1630-0
Fuse holder • Littlefuse	653 0000 040
Wiring of the actuators	using a 20-pin front connector

1) Fuses on this module are only supplementary. External surge current protection (suitable for tap circuits conforming to local regulations for electrical engineering) is required in the supply lines of the load circuit.

2) Possible errors:

- no load voltage
- defective fuse
- output overload

3) If an overload condition is detected, the output is disabled for the duration of ca. 2.4 s.

### 3.31 Digital output module SM 322;DO 8 x AC 120/230 V/2 A; (6ES7322-1FF01-0AA0)

**Order number: "Standard module"**

6ES7322-1FF01-0AA0

**Order number: "SIPLUS S7-300 module"**

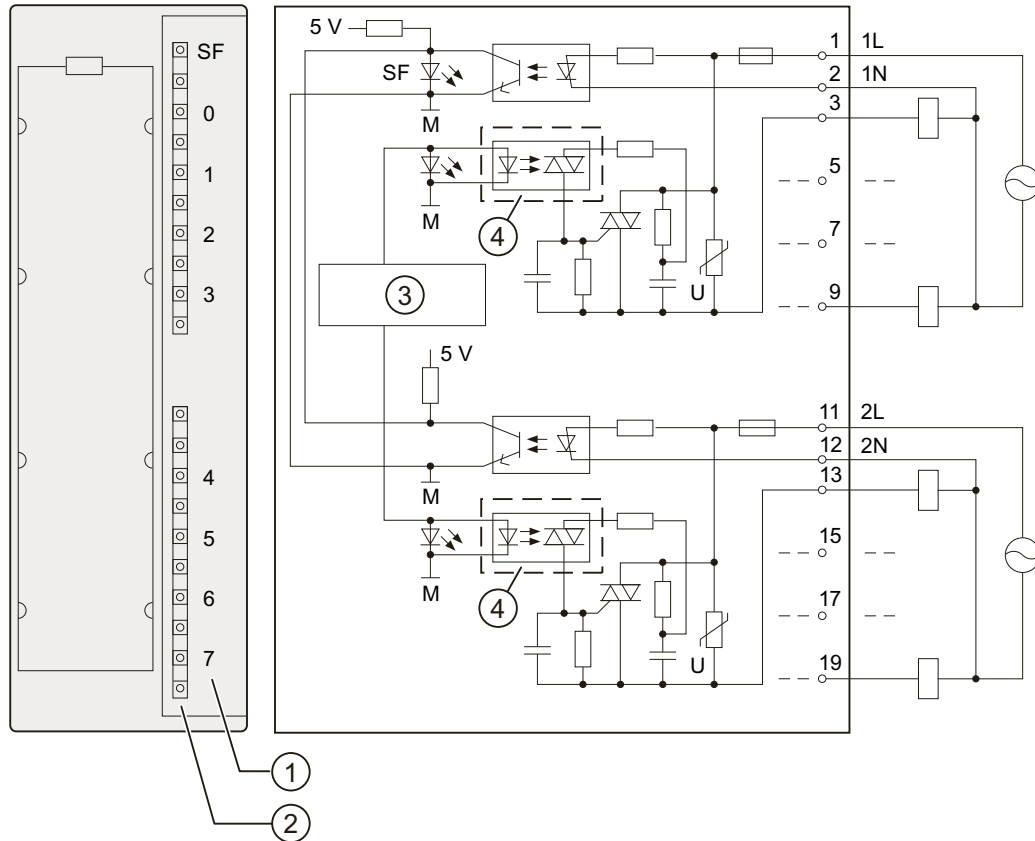
6AG1322-1FF01-2AA0

#### Properties

Properties of SM 322; DO 8 x AC 120/230 V/2 A:

- 8 outputs, fused and electrically isolated in groups of 4
- Output current 2 A
- Rated load voltage 120/230 VAC
- Suitable for AC solenoid valves, contactors, motor starters, FHP motors and signal lamps.
- Group error display (SF)

**Wiring and block diagram of SM 322; DO 8 x AC 120/230 V/2 A**



- ① Channel number
- ② Status display - green  
Error LED - red
- ③ Backplane bus interface
- ④ Optotriac

**SM 322; DO 8 x AC 120/230 V/2 A - Technical specifications**

Technical specifications	
<b>Dimensions and weight</b>	
Dimensions W x H x D (mm)	40 x 125 x 117
Weight	ca. 275 g
<b>Module-specific data</b>	
Supports isochronous mode	no
Number of outputs	8
Cable length	
• unshielded	max. 600 m
• shielded	max. 1000 m
<b>Voltages, currents, electrical potentials</b>	
Rated load voltage L1	120/230 VAC
• Maximum frequency range	47 Hz to 63 Hz

## 3.31 Digital output module SM 322;DO 8 x AC 120/230 V/2 A; (6ES7322-1FF01-0AA0)

Technical specifications	
Total current of outputs (per group)	
<ul style="list-style-type: none"> <li>horizontal mounting position to 40 °C to 60 °C</li> </ul>	max. 4 A max. 2 A
<ul style="list-style-type: none"> <li>vertical mounting position to 40 °C</li> </ul>	max. 2 A
Electrical isolation <ul style="list-style-type: none"> <li>between channels and the backplane bus</li> <li>between channels in groups of</li> </ul>	yes yes 4
Maximum potential difference	
<ul style="list-style-type: none"> <li>between M<sub>internal</sub> and outputs</li> </ul>	230 VAC
<ul style="list-style-type: none"> <li>between outputs of different groups</li> </ul>	500 VAC
Isolation test voltage	1500 VAC
Current consumption <ul style="list-style-type: none"> <li>from the backplane bus</li> <li>from load voltage L1 (no-load)</li> </ul>	max. 100 mA max. 2 mA
Power loss of the module	typ. 8.6 W
Status, interrupts, diagnostics	
Status display	green LED per channel
Interrupts	none
Diagnostic functions <ul style="list-style-type: none"> <li>Group error display</li> </ul>	yes red LED (SF) <sup>2)</sup>
Actuator selection data	
Output voltage <ul style="list-style-type: none"> <li>"1" signal <ul style="list-style-type: none"> <li>At maximum current</li> <li>At minimum current</li> </ul> </li> </ul>	min. L1 (-1.5 V) min. L1 (-8.5 V)
Output current <ul style="list-style-type: none"> <li>"1" signal <ul style="list-style-type: none"> <li>Rated value</li> <li>permissible range at 0 °C to 40 °C</li> <li>permissible range at 40 °C to 60 °C</li> <li>Maximum inrush current (per group)</li> </ul> </li> </ul>	AC 2 A <sup>1)</sup> 10 mA to 2 A 10 mA to 1 A max. 20 A (max. 1 AC cycle)
<ul style="list-style-type: none"> <li>"0" signal (residual current)</li> </ul>	max. 2 mA
Output delay (resistive load)	
<ul style="list-style-type: none"> <li>"0" to "1" transition</li> </ul>	max. 1 AC cycle
<ul style="list-style-type: none"> <li>"1" to "0" transition</li> </ul>	max. 1 AC cycle
Minimum load current	10 mA
Zero transition	max. 60 V
Size of the motor starter	max. size 5 to NEMA
Lamp load	max. 50 W
Wiring two outputs in parallel	

3.32 Digital output module SM 322; DO 8 x AC 120/230 V/2 A ISOL (6ES7322-5FF00-0AB0)

Technical specifications	
• for redundant load control	supported (only outputs of the same group)
• for performance increase	not supported
Control of a digital input	supported
Switching frequency	
• with resistive load	max. 10 Hz
• with inductive load to IEC 947-5-1, AC 15	max. 0.5 Hz
• with lamp load	max. 1 Hz
Short-circuit protection of the output	Fuse, 8 A/250 V; per group
• Fuse-tripping current	min. 40 A
• Response time	max. 300 ms
Replacement fuses	8 A fuse/fast-blow
• Wickman	194-1800-0
• Schurter	SP001.1013
• Littlefuse	217.008
Fuse holder	
• Wickman	653 07
Wiring of the actuators	using a 20-pin front connector

- 1) The load current must not be half-wave
- 2) Possible errors:
  - no load voltage
  - defective fuse

### 3.32 Digital output module SM 322; DO 8 x AC 120/230 V/2 A ISOL (6ES7322-5FF00-0AB0)

#### Order number

6ES7322-5FF00-0AB0

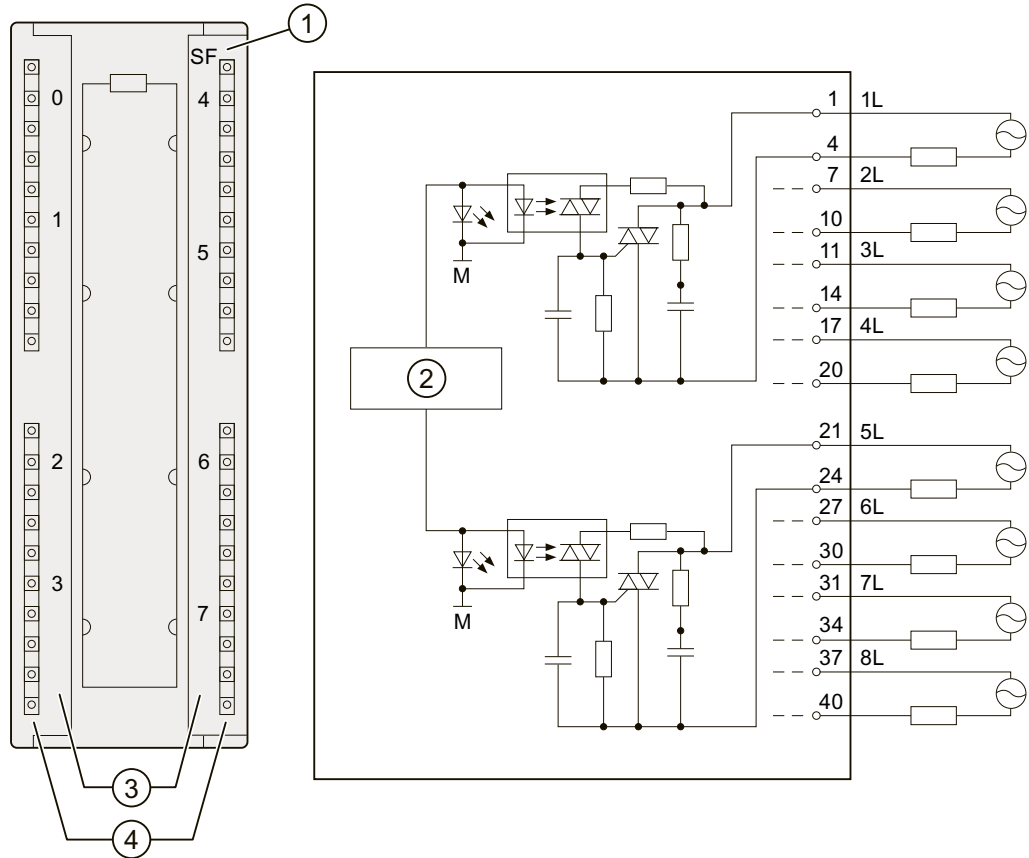
#### Properties

Properties of digital output module SM 322; DO 8 x AC 120/230 V/2 A ISOL:

- 8 outputs, electrically isolated
- Group error display
- Channelspecific status LEDs
- Configurable diagnostics
- Programmable diagnostic interrupt
- Programmable substitute value output
- Output current 2 A
- Rated load voltage 120/230 V AC
- Suitable for AC solenoid valves, contactors, motor starters, FHP motors and signal lamps
- Supports parameter reassignment in RUN



**Wiring and block diagram of SM 322; DO 8 x AC 120/230 V/2 A ISOL**



- ① Group error display - red
- ② Backplane bus interface
- ③ Channel number
- ④ Status display - green

**SM 322; DO 8 x AC 120/230 V/2 A ISOL - Technical specifications**

Technical specifications	
<b>Dimensions and weight</b>	
Dimensions W x H x D	40 x 125 x 117
Weight	approx. 275 g
<b>Module-specific data</b>	
Supports parameter reassignment in RUN	Yes
• Reaction of non-programmed outputs	Return the output value which was valid before the parameterization
Supports isochronous mode	No
Number of outputs	8
Cable length	
• unshielded	max. 600 m
• shielded	max. 1000 m
<b>Voltages, currents, electrical potentials</b>	

<b>Technical specifications</b>	
Rated load voltage L1	120/230 V AC
Total current of outputs (module)	
<ul style="list-style-type: none"> <li>Horizontal mounting position to 40 °C to 60 °C</li> </ul>	max. 8 A max. 4 A
<ul style="list-style-type: none"> <li>vertical mounting position to 40 °C</li> </ul>	max. 4 A
Electrical isolation	
<ul style="list-style-type: none"> <li>between channels and the backplane bus</li> </ul>	yes
<ul style="list-style-type: none"> <li>between channels in groups of</li> </ul>	yes 1
Maximum potential difference	
<ul style="list-style-type: none"> <li>between M<sub>internal</sub> and outputs</li> </ul>	230 V AC
<ul style="list-style-type: none"> <li>between outputs</li> </ul>	500 V AC
Isolation test voltage	
<ul style="list-style-type: none"> <li>between M<sub>internal</sub> and outputs</li> </ul>	1500 V AC
<ul style="list-style-type: none"> <li>between outputs of different groups</li> </ul>	2000 V AC
Current consumption	
<ul style="list-style-type: none"> <li>from the backplane bus</li> <li>from load voltage L1 (no-load)</li> </ul>	max. 100 mA max. 2 mA
Power loss of the module	typ. 8.6 W
<b>Status, interrupts, diagnostics</b>	
Status display	green LED per channel
Interrupts <ul style="list-style-type: none"> <li>Diagnostic interrupt</li> </ul>	programmable
Diagnostic functions <ul style="list-style-type: none"> <li>Group error display</li> </ul>	red LED (SF)
<b>Actuator selection data</b>	
Output voltage <ul style="list-style-type: none"> <li>"1" signal                             <ul style="list-style-type: none"> <li>At maximum current</li> <li>At minimum current</li> </ul> </li> </ul>	min. L1 (-1.5 V) min L1 (-8.5 V)
Output current	
<ul style="list-style-type: none"> <li>"1" signal                             <ul style="list-style-type: none"> <li>Rated value</li> <li>permissible range at 0 °C to 40 °C</li> <li>permissible range at 40 °C to 60 °C</li> <li>Maximum inrush current (per group)</li> </ul> </li> <li>"0" signal (residual current)</li> </ul>	2 A 10 mA to 2 A 10 mA to 1 A 20 A (with two half-waves) max. 2 mA
Zero transition	max. 60 V
Size of the motor starter	max. size 5 to NEMA
Lamp load	max. 50 W
Wiring two outputs in parallel	

## 3.32 Digital output module SM 322; DO 8 x AC 120/230 V/2 A ISOL (6ES7322-5FF00-0AB0)

Technical specifications	
• for redundant load control	supported
• for performance increase	not supported
Control of a digital input	supported
Switching frequency	
• with resistive load	max. 10 Hz
• with inductive load to IEC 947-5-1, AC 15	max. 0.5 Hz
• with lamp load	max. 1 Hz
Short circuit-proof output	yes, 3.15 A / 250 V fuse, fast-blow
Wiring of the actuators	Using a 40-pin front connector

**NOTE**

The outputs must be protected by a high-speed, fast-blow 3.15 A 250 V AC fuse. Hazardous areas to National Electric Code must be determined safe before you remove/replace the fuse. Removal and replacement may only be possible using a suitable tool.

**Configuration in RUN**

Special considerations must be given if you use the Configuration in RUN function.

SF LED is lit:

Status before re-configuration diagnostics on, SF LEDs lit among others (on CPU, IM or module), although diagnostics are no longer pending and the module is operating correctly.

Solution:

- Only change the configuration when no diagnostics are pending for the module or
- Pulling and plugging the module.

**3.32.1 Parameters of SM 322; DO 8 x AC 120/230 V/2 A ISOL****Parameters of SM 322; DO 8 x AC 120/230 V/2 A ISOL**

The table below lists the configurable parameters of SM 322; DO 8 x AC120/230 V/2 A ISOL, including defaults.

The defaults apply if you have not set any parameters in *STEP 7*.

Table 3-32 Parameters of SM 322; DO 8 x AC 120/230 V/2 A ISOL

Parameters	Range of values	Defaults	Parameter type	Scope
Enable				
• Diagnostic interrupts	yes/no	no	dynamic	Module
Reaction to CPU STOP	Set substitute value (SSV) Hold last value (HLV)	SSV	dynamic	Channel
Set substitute value "1"	yes/no	no	dynamic	Channel

## Programming

For detailed information on parameters of the digital output module, refer to the appendix Settings for the digital output modules [\(Page 437\)](#).

### See also

[Programming digital modules \(Page 52\)](#)

## 3.32.2 SM 322; DO 8 x AC 120/230 V/2 A ISOL - Diagnostics

### Diagnostic messages of SM 322; DO 8 x AC 120/230 V/2 A ISOL

The table below provides an overview of the diagnostic messages of SM 322; DO 8 x 120/230 VAC/2 A ISOL.

Table 3-33 Diagnostic messages of SM 322; DO 8 x AC 120/230 V/2 A ISOL

Diagnosics message	LED	Scope of diagnostics	programmable
Watchdog timeout	SF	Module	no
EPROM fault	SF	Module	no
RAM fault	SF	Module	no

### Causes of error and troubleshooting

The following table shows the diagnostic messages of SM 322; DO 8 x AC 120/230V/2 A ISOL, causes of error and troubleshooting.

Table 3-34 Diagnostic messages of SM 322; DO 8 x AC 120/230V/2 A ISOL, error causes and troubleshooting

Diagnosics message	Error detection	Possible cause of error	To correct or avoid errors
Watchdog timeout	Always	Transient high electromagnetic interference	Eliminate interference and cycle the CPU power supply off and on
		Defective module	Replace the module
EPROM fault	Always	Transient high electromagnetic interference	Eliminate interference and cycle the CPU power supply off and on
		Defective module	Replace the module
RAM fault	Always	Transient high electromagnetic interference	Eliminate interference and cycle the CPU power supply off and on
		Defective module	Replace the module

## 3.32.3 SM 322; DO 8 x AC 120/230 V/2 A ISOL - Interrupts

### Introduction

The SM 322; DO 8 x AC 120/230 V/2 A ISOL can trigger diagnostic interrupts.

For detailed information on the OBs and SFCs mentioned below, refer to the *STEP 7* Online Help.

### Enabling interrupts

There is no default interrupt setting, i.e. interrupts are disabled if not set accordingly. Program the interrupt enable parameter in **STEP 7**.

### Diagnostic interrupt

When diagnostic interrupts are enabled, incoming error events (initial occurrence) and outgoing error events (error is cleared) are reported by means of interrupt.

The CPU interrupts user program execution in order to process diagnostics interrupt OB82. You can call SFC51 or 59 in OB82 in the user program to obtain detailed diagnostics data from the module.

Diagnostics data remain consistent until the program exits OB82. The module acknowledges the diagnostic interrupt when the program exits OB82.

### Load restrictions in horizontal mounting position

In horizontal mounting position, the module loads must be restricted so that two adjacent inputs or outputs do not exceed their rated load.

### Load restrictions in vertical mounting position

In vertical mounting position, the module loads must be restricted so that four adjacent inputs or outputs do not exceed their rated load.

## 3.33 Relay output module SM 322; DO 16 x Rel. AC 120/230 V; (6ES7322-1HH01-0AA0)

### Order number

6ES7322-1HH01-0AA0

### Properties

The SM 322; DO 16 x Rel. 120/230 V AC is characterized by the following properties:

- 16 outputs, electrically isolated in groups of 8
- Load voltage 24 to 120 V DC; 24 to 230 V AC
- Suitable for AC/DC solenoid valves, contactors, motor starters, FHP motors and signal lamps.

### Reaction to a shutdown of the power supply

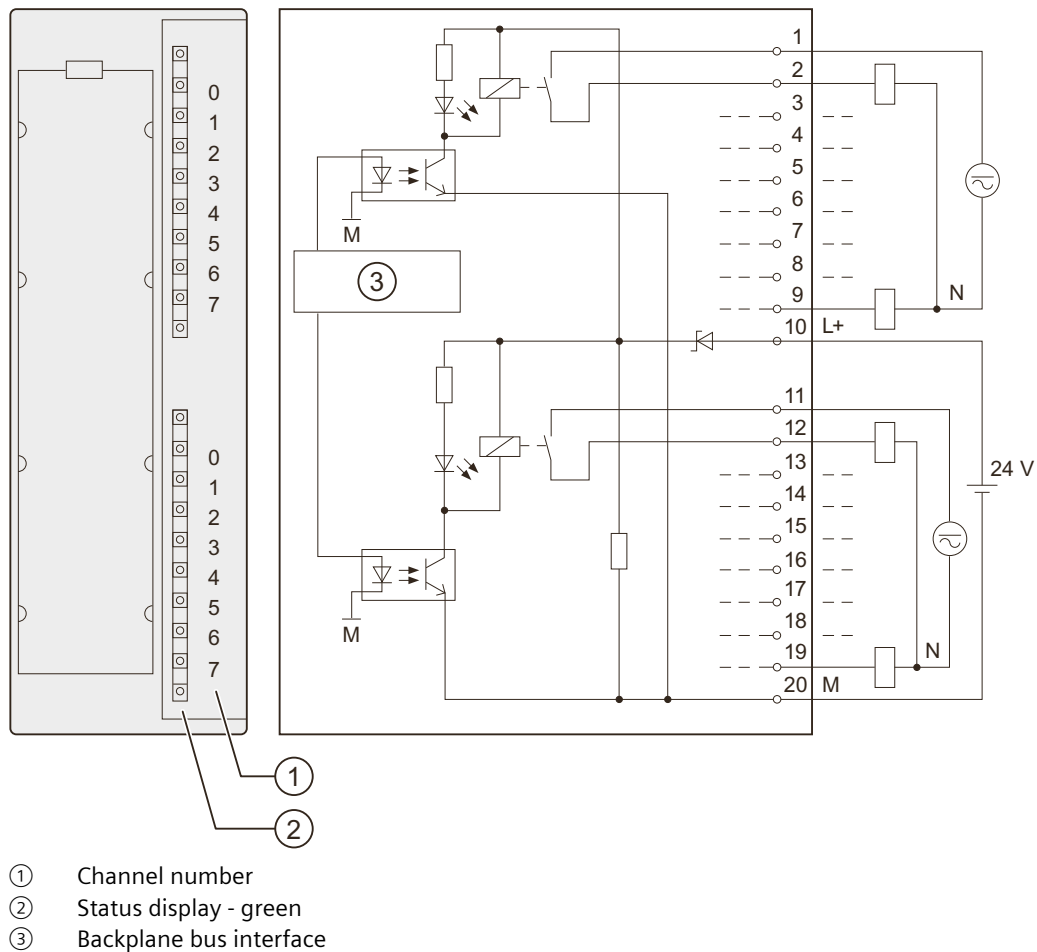
---

**NOTE**

The internal 200-ms buffer capacitance discharges sufficient power after power off to allow the user program to set a defined relay state.

---

**Wiring and block diagram of SM 322; DO 16 x Rel. 120/230 V AC**



**Technical specifications of the SM 322; DO 16 x Rel. 120/230 V AC**

Technical specifications	
<b>Dimensions and weight</b>	
Dimensions W x H x D (mm)	40 x 125 x 117
Weight	ca. 250 g
<b>Module-specific data</b>	
Supports isochronous mode	no
Number of outputs	16
Cable length	
• unshielded	max. 600 m
• shielded	max. 1000 m
<b>Voltages, currents, electrical potentials</b>	
Rated power supply L+ to the relays	24 V DC
Total current of outputs (per group)	max. 8 A
Electrical isolation	

## 3.33 Relay output module SM 322; DO 16 x Rel. AC 120/230 V; (6ES7322-1HH01-0AA0)

Technical specifications		
• between channels and the backplane bus	yes	
• between channels in groups of	yes 8	
Maximum potential difference		
• Between $M_{\text{internal}}$ and the power supply to relays and outputs	230 V AC	
• Between outputs of different groups	500 V AC	
Isolation test voltage		
• between $M_{\text{internal}}$ and the power supply to relays	500 V DC	
• between $M_{\text{internal}}$ and the power supply to relays and outputs	1500 V AC	
• between outputs of different groups	2000 V AC	
Current consumption		
• from the backplane bus	max. 100 mA	
• from power supply L+	max. 250 mA	
Power loss of the module		
typ. 4.5 W		
Status, interrupts, diagnostics		
Status display	green LED per channel	
Interrupts	none	
Diagnostic functions	none	
Actuator selection data		
Thermal current, continuous	max. 2 A	
Minimum load voltage / current	10 V / 10 mA	
Short-circuit current to IEC 947-5-1	200 A, with B10/B16 circuit breaker	
Switching capacity and service life of contacts		
• with resistive load		
Voltage	Current	No. of switching cycles (typical)
24 V DC	2.0 A	0.1 million
	1.0 A	0.2 million
	0.5 A	1.0 million
60 V DC	0.5 A	0.2 million
120 V DC	0.2 A	0.6 million
24 V AC	1.5 A	1.5 million
48 V AC	1.5 A	1.5 million
60 V AC	1.5 A	1.5 million
120 V AC	2.0 A	1.0 million
	1.0 A	1.5 million
	0.5 A	2.0 million
230 V AC	2.0 A	1.0 million
	1.0 A	1.5 million
	0.5 A	2.0 million
• with inductive load to IEC 947-5-1 DC13/AC15		
Voltage	Current	No. of switching cycles (typical)

## 3.34 Relay output module SM 322; DO 8 x Rel. AC 230 V; (6ES7322-1HF01-0AA0)

Technical specifications		
24 V DC	2.0 A 1.0 A 0.5 A	0.05 million 0.1 million 0.5 million
DC 60 V	0.5 A	0.1 million
DC 120 V	0.2 A	0.3 million
24 V AC	1.5 A	1 million
48 V AC	1.5 A	1 million
AC 60 V	1.5 A	1 million
AC 120 V	2.0 A 1.0 A 0.5 A	0.7 million 1.0 million 1.5 million
230 V AC	2.0 A 1.0 A 0.5 A	0.7 million 1.0 million 1.5 million
An external protective circuit will increase the service life of contacts.		
Size of the motor starter	max. size 5 to NEMA	
Lamp load	50 W / 230 V AC 5 W / 24 V DC	
Contact protection (internal)	none	
Wiring two outputs in parallel		
• for redundant load control	supported (only outputs of the same group)	
• for performance increase	not supported	
Control of a digital input	supported	
Switching frequency		
• Mechanical	max. 10 Hz	
• with resistive load	max. 1 Hz	
• with inductive load to IEC 947-5-1, DC13/AC15	max. 0.5 Hz	
• with lamp load	max. 1 Hz	
Wiring of the actuators	using a 20-pin front connector	

### 3.34 Relay output module SM 322; DO 8 x Rel. AC 230 V; (6ES7322-1HF01-0AA0)

#### Order number

6ES7322-1HF01-0AA0

#### Properties

The SM 322; DO 8 x Rel. 230 V AC is characterized by the following properties:

- 8 outputs, electrically isolated in groups of 2
- Rated load voltage 24 to 120 V DC, 48 V to 230 V AC
- Suitable for AC/DC solenoid valves, contactors, motor starters, FHP motors and signal lamps.

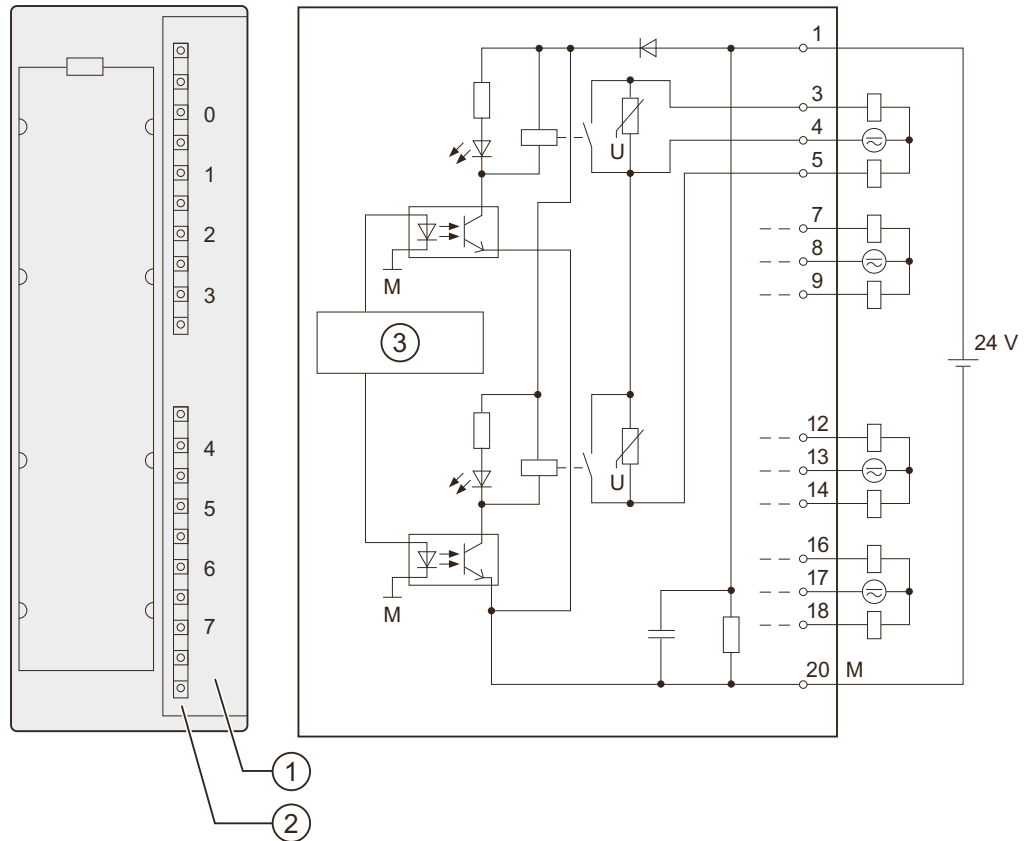


### Reaction to a shutdown of the power supply

**NOTE**

The following only applies to SM 322; DO 8 x Rel. 230 V AC with product version 1: The internal backup capacitor provides power for the duration of ca. 200 ms. This backup time is sufficient to briefly control the relay in the user program.

### Wiring and block diagram of SM 322; DO 8 x Rel. 230 V AC



- ① Channel number
- ② Status display - green
- ③ Backplane bus interface

### Technical specifications of the SM 322; DO 8 x Rel. 230 V AC

Technical specifications	
<b>Dimensions and weight</b>	
Dimensions W x H x D (mm)	40 x 125 x 117
Weight	ca. 190 g
<b>Module-specific data</b>	
Supports isochronous mode	no
Number of outputs	8

3.34 Relay output module SM 322; DO 8 x Rel. AC 230 V; (6ES7322-1HF01-0AA0)

Technical specifications		
Cable length		
<ul style="list-style-type: none"> <li>unshielded</li> <li>shielded</li> </ul>	max. 600 m max. 1000 m	
Voltages, currents, electrical potentials		
Rated power supply L+ to the relays	24 V DC	
Total current of outputs (per group)	max. 4 A	
Electrical isolation		
<ul style="list-style-type: none"> <li>between channels and the backplane bus</li> </ul>	yes	
<ul style="list-style-type: none"> <li>between channels in groups of</li> </ul>	yes 2	
Maximum potential difference		
<ul style="list-style-type: none"> <li>Between <math>M_{\text{internal}}</math> and the power supply to relays and outputs</li> </ul>	230 V AC	
<ul style="list-style-type: none"> <li>Between outputs of different groups</li> </ul>	500 V AC	
Isolation test voltage		
<ul style="list-style-type: none"> <li>between <math>M_{\text{internal}}</math> and the power supply to relays</li> </ul>	500 V DC	
<ul style="list-style-type: none"> <li>between <math>M_{\text{internal}}</math> and the power supply to relays and outputs</li> </ul>	2000 V AC	
<ul style="list-style-type: none"> <li>between outputs of different groups</li> </ul>	2000 V AC	
Current consumption		
<ul style="list-style-type: none"> <li>from the backplane bus</li> <li>from power supply L+</li> </ul>	max. 40 mA max. 160 mA	
Power loss of the module	typ. 3.2 W	
Status, interrupts, diagnostics		
Status display	green LED per channel	
Interrupts	none	
Diagnostic functions	none	
Actuator selection data		
Thermal current, continuous	max. 3 A	
Minimum load voltage / current	10 V / 5 mA	
Short circuit-proof to IEC 947-5-1 <sup>2)</sup>	With circuit-breaker, characteristics B, for: cos $\Phi$ 1.0: 600 A cos $\Phi$ 0.5...0.7: 900 A With 8 A Diazed fuse: 1000 A	
Switching capacity and useful life of contacts		
<ul style="list-style-type: none"> <li>with resistive load</li> </ul>		
Voltage	Current	No. of switching cycles (typical)
24 V DC	2.0 A 1.0 A 0.5 A	0.7 million 1.6 million 4 million
60 V DC	0.5 A	1.6 million
120 V DC	0.2 A	1.6 million
48 V AC	2.0 A	1.6 million
60 V AC	2.0 A	1.2 million
120 V AC	2.0 A	0.5 million <sup>2)</sup>

## 3.34 Relay output module SM 322; DO 8 x Rel. AC 230 V; (6ES7322-1HF01-0AA0)

Technical specifications		
230 V AC	1.0 A 0.5 A 2.0 A 1.0 A 0.5 A	0.7 million <sup>2)</sup> 1.5 million <sup>2)</sup> 0.5 million <sup>2)</sup> 0.7 million <sup>2)</sup> 1.5 million
<ul style="list-style-type: none"> <li>with inductive load to IEC 947-5-1 DC13/AC15</li> </ul>		
Voltage	Current	No. of switching cycles (typical)
24 V DC	2.0 A 1.0 A 0.5 A	0.3 million 0.5 million 1.0 million
60 V DC	0.5 A 0.2 A	0.5 million 0.3 million <sup>2)</sup>
120 V DC	1.5 A	1 million
48 V AC	1.5 A	1 million
60 V AC	2.0 A	0.2 million
120 V AC	1.0 A 0.7 A 0.5 A	0.7 million 1 million 2.0 million
230 V AC	2.0 A 1.0 A 0.5 A	0.3 million <sup>2)</sup> 0.7 million <sup>2)</sup> 2 million <sup>2)</sup>
Contact protection (internal)	Varistor SIOV-CU4032 K275 G	
An external protective circuit extends the useful life of contacts.		
Actuator selection data [continued]		
Lamp load <sup>1)</sup>	max. 50 W	
	Power	No. of switching cycles (typical)
Lamp load (230 V AC) <sup>2)</sup>	700 W 1500 W	25000 10000
Energy-saving lamps/fluorescent lamps with electronic ballast <sup>2)</sup>	10 x 58 W	25000
Fluorescent lamps, conventionally compensated <sup>2)</sup>	1 x 58 W	25000
Fluorescent lamps, non-compensated <sup>2)</sup>	10 x 58 W	25000
Wiring two outputs in parallel		
<ul style="list-style-type: none"> <li>for redundant load control</li> </ul>	supported (only outputs of the same group)	
<ul style="list-style-type: none"> <li>for performance increase</li> </ul>	not supported	
Control of a digital input	supported	
Switching frequency		
<ul style="list-style-type: none"> <li>Mechanical</li> </ul>	max. 10 Hz	
<ul style="list-style-type: none"> <li>with resistive load</li> </ul>	max. 2 Hz	
<ul style="list-style-type: none"> <li>with inductive load to IEC 947-5-1, DC13/AC15</li> </ul>	max. 0.5 Hz	
<ul style="list-style-type: none"> <li>with lamp load</li> </ul>	max. 2 Hz	
Wiring of the actuators	using a 20-pin front connector	

1) Product version 1

2) Product version 2 or higher

### 3.35 Relay output module SM 322; DO 8 x Rel. 230VAC/5A; (6ES7322-5HF00-0AB0)

#### Order number

6ES7322-5HF00-0AB0

#### Properties

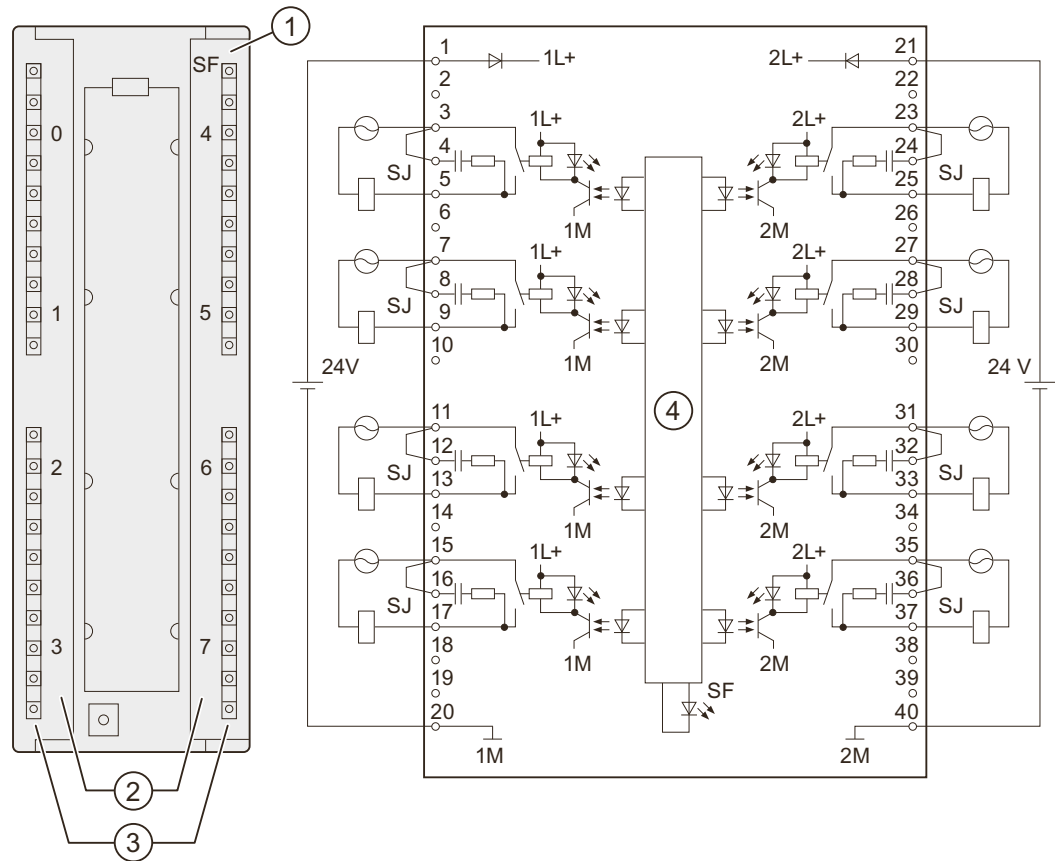
The relay output module SM 322; DO 8 x Rel. 230 V AC / 5A is characterized by the following properties:

- 8 outputs, electrically isolated
- Load voltage 24 to 120 V DC, 24 to 230 V AC
- Suitable for AC solenoid valves, contactors, motor starters, FHP motors and signal lamps
- You can protect the contacts with an RC quenching element by setting a jumper (SJ.)
- Group error display
- Channel-specific status displays
- Programmable diagnostic interrupt
- Programmable substitute value output
- Supports parameter reassignment in RUN

#### Overvoltage protection of contacts

You can protect the contacts against overvoltage by bridging (SJ) the module terminals 3 and 4, 7 and 8, 12 and 13 etc. (see the diagram below).

**Wiring and block diagram of SM 322; DO 8 x Rel. 230 V AC / 5A**



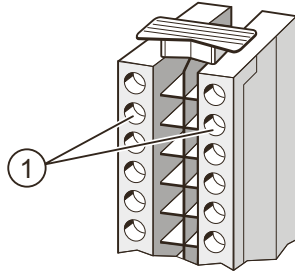
- ① Error LED - red
- ② Channel number
- ③ Status display - green
- ④ Backplane bus interface

**Operation on safety extra-low voltage (SELV)**

Make allowances for the special feature outlined below when operating the 6ES7322-5HF00-0AB0 relay output module on SELV:

3.35 Relay output module SM 322; DO 8 x Rel. 230VAC/5A; (6ES7322-5HF00-0AB0)

The horizontally adjacent terminal of a terminal operated on SELV may not be operated at a rated voltage higher than 120 VUC. When operated at voltages higher than 120 VUC, the creepage distances and air gaps in the 40-pin front connector do not meet SIMATIC requirements of safe electrical separation.



- ① If one of two horizontally adjacent terminals is operated on SELV, the other terminal may not be operated at more than 120 VUC.

**Technical specifications of the SM 322; DO 8 x Rel. 230 V AC / 5A**

Technical specifications	
<b>Dimensions and weight</b>	
Dimensions W x H x D (mm)	40 x 125 x 117
Weight	ca. 320 g
<b>Module-specific data</b>	
Supports parameter reassignment in RUN	Yes
• Reaction of non-programmed outputs	Return the output value which was valid before the parameterization
Supports isochronous mode	no
Number of outputs	8
Cable length	
• unshielded	max. 600 m
• shielded	max. 1000 m
<b>Voltages, currents, electrical potentials</b>	
Rated electronics supply voltage L+	24 V DC
• Reverse polarity protection	yes
Total current of outputs (per group)	
• horizontal mounting position up to 60°	max. 5 A
• vertical mounting position up to 40°	max. 5 A
Electrical isolation	
• between channels and the backplane bus	yes
• between channels and the power supply to relays	yes
• between channels in groups of	yes 1
Maximum potential difference	
• Between M <sub>internal</sub> and the power supply to relays and outputs	250 V AC
• Between outputs of different groups	500 V AC

## 3.35 Relay output module SM 322; DO 8 x Rel. 230VAC/5A; (6ES7322-5HF00-0AB0)

Technical specifications		
Isolation test voltage		
• between M <sub>internal</sub> and the power supply to relays	500 V DC	
• between M <sub>internal</sub> and the power supply to relays and outputs	1500 V AC	
• between outputs of different groups	2000 V AC	
Current consumption		
• from the backplane bus	max. 100 mA	
• from power supply L+	max. 160 mA	
Power loss of the module		
typ. 3.5 W		
Status, interrupts, diagnostics		
Status display		green LED per channel
Interrupts		
• Diagnostic interrupt	programmable	
Diagnostic functions		programmable
• Group error display	red LED (SF)	
• Reading diagnostics information	supported	
Actuator selection data		
Thermal current, continuous		max. 5 A
Minimum load voltage / current		10 V / 10 mA <sup>1)</sup>
Residual current		11.5 mA <sup>2)</sup>
Short circuit-proof to IEC 947-5-1		With circuit-breaker, characteristics B, for: cos $\Phi$ 1.0: 600 A cos $\Phi$ 0.5...0.7: 900 A With 8 A Diazed fuse: 1000 A
Switching capacity and useful life of contacts		
• with resistive load		
Voltage	Current	No. of switching cycles (typical)
24 V DC	5.0 A	0.2 million
24 V DC	2.5 A	0.4 million
24 V DC	1.0 A	0.9 million
24 V DC	0.2 A	1.7 million
24 V DC	0.1 A	2 million
120 V DC	0.2 A	1.7 million
120 V DC	0.1 A	2 million
230 V AC	5.0 A	0.2 million
230 V AC	2.5 A	0.4 million
230 V AC	1.0 A	0.9 million
230 V AC	0.2 A	1.7 million
230 V AC	0.1 A	2 million
• with inductive load		
Voltage	Current	No. of switching cycles (typical)

Technical specifications		
24 V DC	5.0 A	0.1 million
24 V DC	2.5 A	0.25 million
24 V DC	1.0 A	0.5 million
24 V DC	0.2 A	1 million
24 V DC	0.1 A	1.2 million
120 V DC	0.1 A	1.2 million
230 V AC	5.0 A	0.1 million
230 V AC	2.5 A	0.25 million
230 V AC	1.0 A	0.5 million
230 V AC	0.2 A	1 million
230 V AC	0.1 A	1.2 million
An RC quenching element (jumper "SJ" inserted) or an external protection circuit extend the service life of contacts.		
Size of the motor starter	max. size 5 to NEMA	
	Power	No. of switching cycles (typical)
Lamp load (230 V AC)	1000 W 1500 W	25000 10000
Energy-saving lamps/fluorescent lamps with electronic ballast <sup>3)</sup>	10 x 58 W	25000
Fluorescent lamps, conventionally compensated	1 x 58 W	25000
Fluorescent lamps, non-compensated	10 x 58 W	25000
Contact protection	RC quenching element; 330 Ω, 0.1 μF	
Wiring two outputs in parallel		
• for redundant load control	supported (only outputs with the same load voltage)	
• for performance increase	not supported	
Control of a digital input	supported	
Switching frequency		
• Mechanical	max. 10 Hz	
• with resistive load	max. 2 Hz	
• with inductive load to IEC 947-5-1, DC13/AC15	max. 0.5 Hz	
• with lamp load	max. 2 Hz	
Wiring of the actuators	using a 40-pin front connector	
<sup>1)</sup> Without inserted jumper (SJ). <sup>2)</sup> With AC load voltage and inserted jumper (SJ). No residual current if the jumper (SJ) is not installed. <sup>3)</sup> The sum of all inrush currents on a ballast connected to an output must not exceed 5 A.		

**NOTE**

The residual current of an RC quenching element connected to IEC Type 1 inputs may cause unwanted signal states. Remove the SJ jumper to rectify this fault.

**Configuration in RUN**

Special considerations must be given if you use the Configuration in RUN function.  
 SF LED is lit:



## 3.35 Relay output module SM 322; DO 8 x Rel. 230VAC/5A; (6ES7322-5HF00-0AB0)

Status before re-configuration diagnostics on, SF LEDs lit among others (on CPU, IM or module), although diagnostics are no longer pending and the module is operating correctly.  
Solution:

- Only change the configuration when no diagnostics are pending for the module or
- Pulling and plugging the module.

### 3.35.1 Parameters of SM 322; DO 8 x Rel. AC 230V/5A

#### Parameters of SM 322; DO 8 x Rel. AC 230V/5A

The table below provides an overview of configurable parameters and defaults for SM 322; DO 8 x Rel. AC 230V/5A.

The defaults apply if you have not set any parameters in **STEP 7**.

Table 3-35 Parameters of SM 322; DO 8 x Rel. AC 230V/5A

Parameters	Range of values	Defaults	Parameter type	Scope
Enable • Diagnostic interrupts	yes/no	no	Dynamic	Module
Reaction to CPU STOP	Set substitution value (SSV) Hold last value (HLV)	SSV	Dynamic	Channel
Set substitution value "1"	yes/no	no	Dynamic	Channel

#### See also

[Programming digital modules \(Page 52\)](#)

### 3.35.2 SM 322; DO 8 x Rel. AC 230V/5A - Diagnostics

#### Diagnostics messages of SM 322; DO 8 x Rel. AC 230V/5A

The table below provides an overview of the diagnostic messages of SM 322; DO 8 x Rel. AC 230V/5A.

Table 3-36 Diagnostics messages of SM 322; DO 8 x Rel. AC 230V/5A

Diagnostics message	LED	Scope of diagnostics	programmable
Watchdog time-out	SF	Module	no
EPROM error	SF	Module	no
RAM error	SF	Module	no

#### Causes of error and troubleshooting

Table 3-37 Diagnostic messages of SM 322; DO 8 x Rel. AC230V/5A, cause of error and troubleshooting

Diagnostics message	Error detection	Possible cause of error	To correct or avoid errors
Watchdog time-out	generally	infrequent high level of electro-magnetic interference	Eliminate interference and cycle the CPU power supply off and on
		Defective module	Replace the module

Diagnosics message	Error detection	Possible cause of error	To correct or avoid errors
EPROM error	generally	infrequent high level of electro-magnetic interference	Eliminate interference and cycle the CPU power supply off and on
		Defective module	Replace the module
RAM error	generally	transient high electromagnetic interference	Eliminate interference and cycle the CPU power supply off and on
		Defective module	Replace the module

### 3.35.3 SM 322; DO 8 x Rel. AC 230V/5A - Interrupts

#### Introduction

The SM 322; DO 8 x Rel. AC 230V/5A can trigger diagnostic interrupts.

For detailed information on the OBs and SFCs mentioned below, refer to the *STEP 7* Online Help.

#### Enabling interrupts

There is no default interrupt setting, i.e. interrupts are disabled if not set accordingly. Program the interrupt enable parameter in **STEP 7**.

#### Diagnostic interrupt

Incoming error events (initial occurrence) and outgoing error events (error is cleared) are reported by means of diagnostics interrupt, if this interrupt is enabled.

The CPU interrupts user program execution in order to process diagnostics interrupt OB82. You can call SFC51 or 59 in OB82 in the user program to obtain detailed diagnostics data from the module.

Diagnostics data remain consistent until the program exits OB82. The module acknowledges the diagnostics interrupt when the program exits OB82.

## 3.36 Relay output module SM 322; DO 8 x Rel. AC 230 V/5 A; (6ES7322-1HF10-0AA0)

#### Order number: "Standard module"

6ES7322-1HF10-0AA0

#### Order number: "SIPLUS S7-300 module"

6AG1322-1HF10-2AA0

#### Properties

The SM 322; DO 8 x Rel. 230 V AC / 5 A is characterized by the following properties:

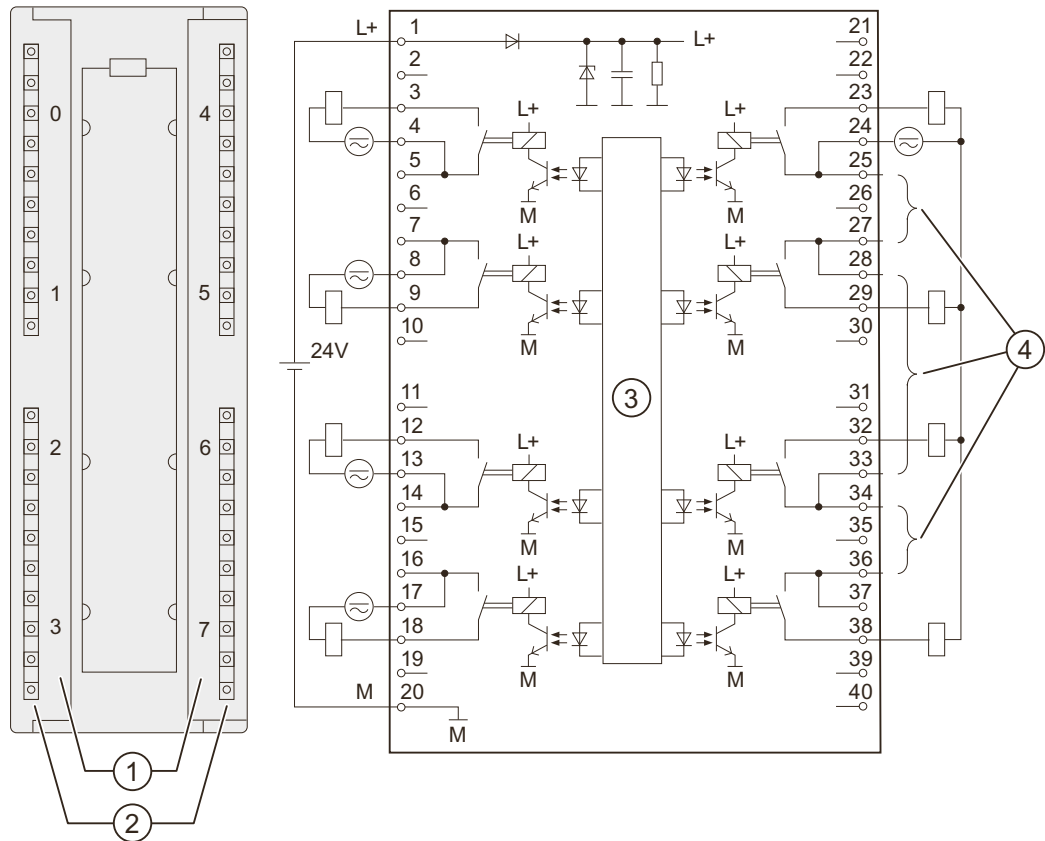
- 8 outputs, electrically isolated in groups of 1
- Rated load voltage 24 to 120 V DC, 48 V to 230 V AC
- Suitable for AC/DC solenoid valves, contactors, motor starters, FHP motors and signal lamps.

### Measures to take for switching currents > 3 A

**NOTE**

Always use connecting cables with a cross-section of 1.5 mm<sup>2</sup> when operating with switching currents > 3 A in order to reduce any temperature rise in the connector area of the module to a minimum.

### Wiring and block diagram of SM 322; DO 8 x Rel. 230 V AC / 5 A



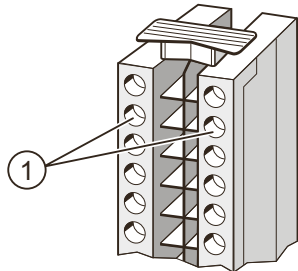
- ① Channel number
- ② Status displays - green
- ③ Backplane bus interface
- ④ Options of looping the power supply to contacts  
 $I_{\text{accumulated current}} \leq 8 \text{ A at } T_U \leq 30 \text{ }^\circ\text{C}$   
 $I_{\text{accumulated current}} \leq 5 \text{ A at } T_U \leq 60 \text{ }^\circ\text{C}$

### Operation on safety extra-low voltage (SELV)

Make allowances for the special feature outlined below when operating relay output module 322-1HF10 on SELV:

3.36 Relay output module SM 322; DO 8 x Rel. AC 230 V/5 A; (6ES7322-1HF10-0AA0)

To operate a terminal on SELV, the horizontally adjacent terminal may not be operated at a rated voltage higher than 120 VUC. The creepage distances and air gaps of the 40-pin front connector do not meet SIMATIC requirements in terms of safe electrical separation if operated with voltages above 120 VUC.



- ① If one of two horizontally adjacent terminals is operated on SELV, the other terminal may not be operated at more than 120 VUC.

**Technical specifications of the SM 322; DO 8 x Rel. 230 V AC / 5 A**

Technical specifications	
<b>Dimensions and weight</b>	
Dimensions W x H x D (mm)	40 x 125 x 120
Weight	ca. 320 g
<b>Module-specific data</b>	
Supports isochronous mode	no
Number of outputs	8
Cable length	
• unshielded	max. 600 m
• shielded	max. 1000 m
<b>Voltages, currents, electrical potentials</b>	
Rated power supply L+ to the relays	24 V DC
Total current of outputs (per group)	
• horizontal mounting position to 30 °C to 60 °C	max. 8 A max. 5 A
• vertical mounting position to 40 °C	max. 5 A
Electrical isolation	
• between channels and the backplane bus	yes
• between channels in groups of	yes 1
Maximum potential difference	
• Between M <sub>internal</sub> and the power supply to relays and outputs	250 V AC
• Between outputs of different groups	500 V AC
Isolation test voltage	
• between M <sub>internal</sub> and the power supply to relays	500 V DC
• between M <sub>internal</sub> and the power supply to relays and outputs	1500 V AC

## 3.36 Relay output module SM 322; DO 8 x Rel. AC 230 V/5 A; (6ES7322-1HF10-0AA0)

Technical specifications		
• between outputs of different groups	2000 V AC	
Current consumption		
• from the backplane bus	max. 40 mA	
• from power supply L+	max. 125 mA	
Power loss of the module	typ. 3.2 W	
Status, interrupts, diagnostics		
Status display	green LED per channel	
Interrupt	none	
Diagnostic functions	none	
Actuator selection data		
Thermal current, continuous	max. 8 A	
Minimum load voltage / current	10 V / 5 mA	
Short-circuit current to IEC 947-5-1	With circuit-breaker, characteristics B, for: cos $\Phi$ 1.0: 600 A cos $\Phi$ 0.5...0.7: 900 A With 8 A Diazed fuse: 1000 A	
Switching capacity and useful life of contacts		
• with resistive load		
Voltage	Current	No. of switching cycles (typical)
24 V DC	8.0 A	0.1 million
	4.0 A	0.3 million
	2.0 A	0.7 million
	0.5 A	4.0 million
60 V DC	0.5 A	4 million
120 V DC	0.2 A	1.6 million
48 V AC	8.0 A	0.1 million
	2.0 A	1.6 million
60 V AC	8.0 A	0.1 million
	2.0 A	1.2 million
120 V AC	8.0 A	0.1 million
	4.0 A	0.3 million
	2.0 A	0.5 million
	1.0 A	0.7 million
	0.5 A	1.5 million
230 V AC	8.0 A	0.1 million
	4.0 A	0.3 million
	2.0 A	0.5 million
	1.0 A	0.7 million
	0.5 A	1.5 million
Switching capacity and useful life of contacts		
• with inductive load to IEC 947-5-1 DC13/AC15		
Voltage	Current	No. of switching cycles (typical)

3.36 Relay output module SM 322; DO 8 x Rel. AC 230 V/5 A; (6ES7322-1HF10-0AA0)

Technical specifications		
24 V DC	2.0 A 1.0 A 0.5 A	0.3 million 0.5 million 1 million
60 V DC	0.5 A 0.3 A	0.5 million 1 million
120 V DC	0.2 A	0.5 million
48 V AC	3.0 A 1.5 A	0.5 million 1 million
60 V AC	3.0 A 1.5 A	0.3 million 1 million
120 V AC	3.0 A 2.0 A 1.0 A 0.5 A	0.2 million 0.3 million 0.7 million 2 million
230 V AC	3.0 A 2.0 A 1.0 A 0.5 A	0.1 million 0.3 million 0.7 million 2.0 million
• Aux. contactors Size 0 (3TH28)		30 million
An external protective circuit extends the useful life of contacts.		
	Power	No. of switching cycles (typical)
Lamp load (230 V AC)	1000 W 1500 W	25000 10000
Energy-saving lamps/fluorescent lamps with electronic ballast	10 x 58 W	25000
Fluorescent lamps, conventionally compensated	1 x 58 W	25000
Fluorescent lamps, non-compensated	10 x 58 W	25000
Contact protection (internal)	none	
Wiring two outputs in parallel		
• For redundant load control	supported	
• for performance increase	not supported	
Control of a digital input	supported	
Switching frequency		
• Mechanical	max. 10 Hz	
• with resistive load	max. 2 Hz	
• with inductive load to IEC 947-5-1, DC13/AC15	max. 0.5 Hz	
• with lamp load	max. 2 Hz	
Wiring of the actuators	using a 40-pin front connector	

### 3.37 Digital IO module SM 323; DI 16/DO 16 x DC 24 V/0.5 A; (6ES7323-1BL00-0AA0)

#### Order number

6ES7323-1BL00-0AA0

#### Properties

Properties of SM 323; DI 16/DO 16 x DC 24 V/0.5 A:

- 16 inputs, electrically isolated in groups of 16
- 16 outputs, electrically isolated in groups of 8
- Rated input voltage 24 V DC
- Rated load voltage 24 V DC
- Inputs suitable for switches and 2-/3-/4-wire proximity switches (BEROs)
- Outputs capable of driving solenoid valves, DC contactors and indicator lights

#### Use of the module with high-speed counters

Please note when using the module in combination with high-speed counters:

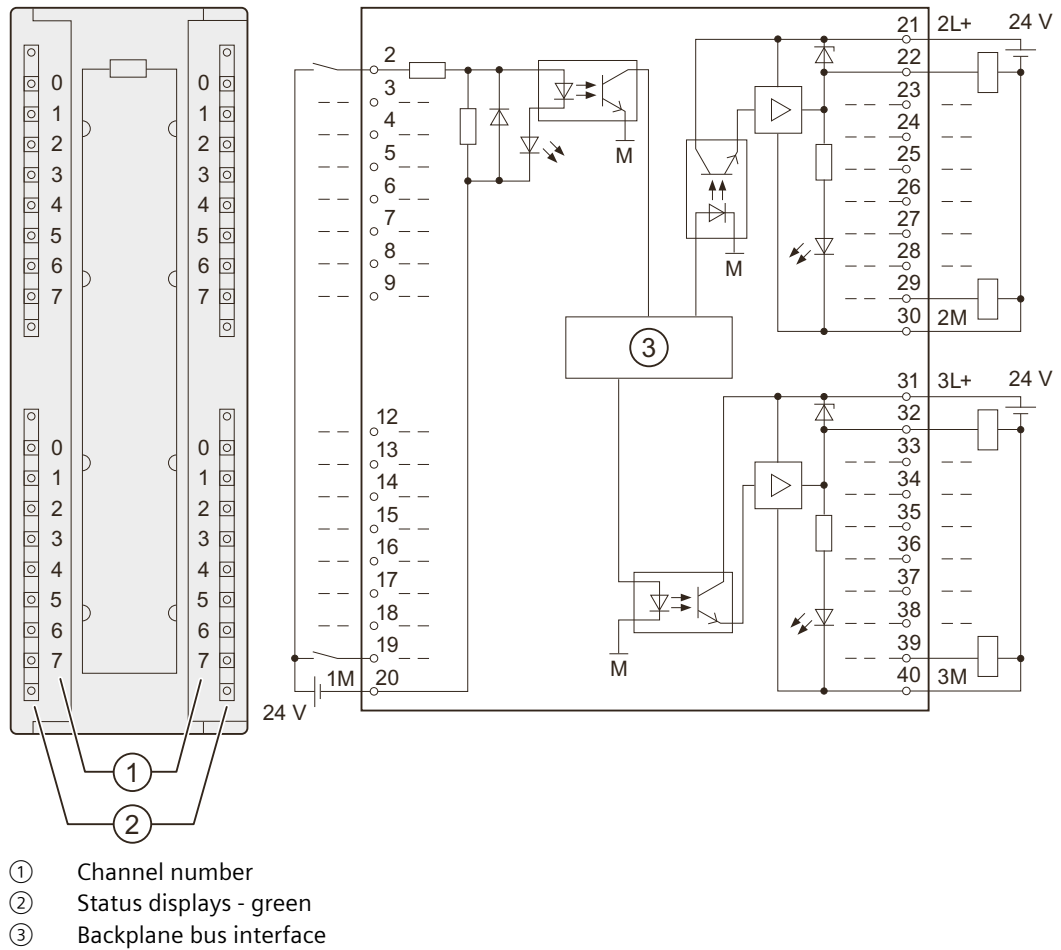
---

**NOTE**

When using a mechanical contact to switch on the 24-V power supply to SM 323; DI 16/DO 16 x DC 24 V/0.5 A, its outputs will carry "1" signal for the duration of ca. 50 µs, due to the circuit structure.

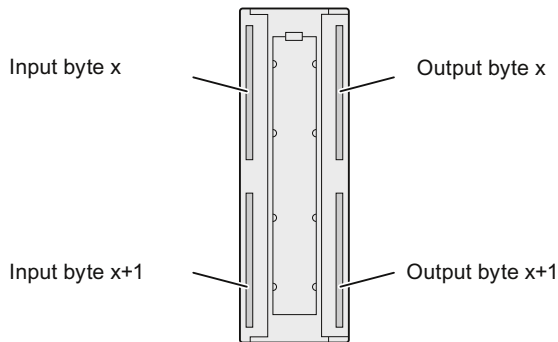
---

**Wiring and block diagram of SM 323; DI 16/DO 16 x DC 24 V/0.5 A**



**Terminal assignment**

The diagram below shows the IO addressing of channels.



**SM 323; DI 16/DO 16 x DC 24 V/0.5 A - Technical specifications**

<b>Technical specifications</b>	
<b>Dimensions and weight</b>	
Dimensions W x H x D (mm)	40 x 125 x 117



## 3.37 Digital IO module SM 323; DI 16/DO 16 x DC 24 V/0.5 A; (6ES7323-1BL00-0AA0)

<b>Technical specifications</b>	
Weight	ca. 260 g
<b>Module-specific data</b>	
Isochronous	no
Number of inputs	16
Number of outputs	16
Cable length <ul style="list-style-type: none"> <li>unshielded</li> <li>shielded</li> </ul>	max. 600 m max. 1000 m
<b>Voltages, currents, electrical potentials</b>	
Rated load voltage L+	24 V DC
Number of simultaneously controlled inputs	
<ul style="list-style-type: none"> <li>horizontal mounting position to 40 °C to 60 °C</li> </ul>	16 8
<ul style="list-style-type: none"> <li>vertical mounting position to 40 °C</li> </ul>	16
Total current of outputs (per group)	
<ul style="list-style-type: none"> <li>horizontal mounting position to 40 °C to 60 °C</li> </ul>	max. 4 A max. 3 A
<ul style="list-style-type: none"> <li>vertical mounting position to 40 °C</li> </ul>	max. 2 A
Electrical isolation	
<ul style="list-style-type: none"> <li>between channels and the backplane bus</li> </ul>	yes
<ul style="list-style-type: none"> <li>between channels Inputs in groups of Outputs in groups of</li> </ul>	yes 16 8
Isolation test voltage	500 V DC
Current consumption <ul style="list-style-type: none"> <li>from the backplane bus</li> <li>from load voltage L+ (no-load)</li> </ul>	max. 80 mA max. 80 mA
Power loss of the module	typ. 6.5 W
<b>Status, interrupts, diagnostics</b>	
Status display	green LED per channel
Interrupts	none
Diagnostic functions	none
<b>Encoder selection data</b>	
Input voltage <ul style="list-style-type: none"> <li>Rated value</li> <li>"1" signal</li> <li>"0" signal</li> </ul>	24 V DC 13 V to 30 V - 30 V to + 5 V
Input current <ul style="list-style-type: none"> <li>"1" signal</li> </ul>	typ. 7 mA

Technical specifications	
Input delay <ul style="list-style-type: none"> <li>"0" to "1" transition</li> <li>"1" to "0" transition</li> </ul>	1.2 ms to 4.8 ms 1.2 ms to 4.8 ms
Input characteristics	to IEC 61131, type 1
Connection of 2-wire BEROs <ul style="list-style-type: none"> <li>Permissible quiescent current</li> </ul>	supported max. 1.5 mA
Wiring of the signal transmitters	using a 40-pin front connector
Actuator selection data	
Output voltage <ul style="list-style-type: none"> <li>"1" signal</li> </ul>	min. L + (- 0.8 V)
Output current <ul style="list-style-type: none"> <li>"1" signal Rated value Permitted range</li> </ul>	0.5 A 5 mA to 0.6 A
<ul style="list-style-type: none"> <li>"0" signal (residual current)</li> </ul>	max. 0.5 mA
Output delay (resistive load) <ul style="list-style-type: none"> <li>"0" to "1" transition</li> <li>"1" to "0" transition</li> </ul>	Max. 100 $\mu$ s Max. 500 $\mu$ s
Load resistance range	48 $\Omega$ to 4 k $\Omega$
Lamp load	Max. 5 W
Wiring two outputs in parallel <ul style="list-style-type: none"> <li>for redundant load control</li> <li>for performance increase</li> </ul>	supported (only outputs of the same group) not supported
Control of a digital input	supported
Switching frequency <ul style="list-style-type: none"> <li>with resistive load</li> <li>with inductive load to IEC 947-5-1, DC 13</li> <li>with lamp load</li> </ul>	max. 100 Hz max. 0.5 Hz max. 10 Hz
Internal limiting of the inductive shutdown voltage to	typ. L + (- 53 V)
Short circuit-proof output <ul style="list-style-type: none"> <li>Threshold</li> </ul>	yes, electronic typ. 1 A
Wiring of the actuators	using a 40-pin front connector

### 3.38 Digital IO module SM 323; DI 8/DO 8 x DC 24 V/0.5 A; (6ES7323-1BH01-0AA0)

Order number: "Standard module"

6ES7323-1BH01-0AA0

Order number: "SIPLUS S7-300 module"

6AG1323-1BH01-2AA0

### Properties

Properties of SM 323; DI 8/DO 8 x DC 24 V/0.5 A:

- 8 inputs, electrically isolated in groups of 8
- 8 outputs, electrically isolated in groups of 8
- Rated input voltage 24 V DC
- Rated load voltage 24 V DC
- Inputs suitable for switches and 2-/3-/4-wire proximity switches (BEROs)
- Outputs capable of driving solenoid valves, DC contactors and indicator lights

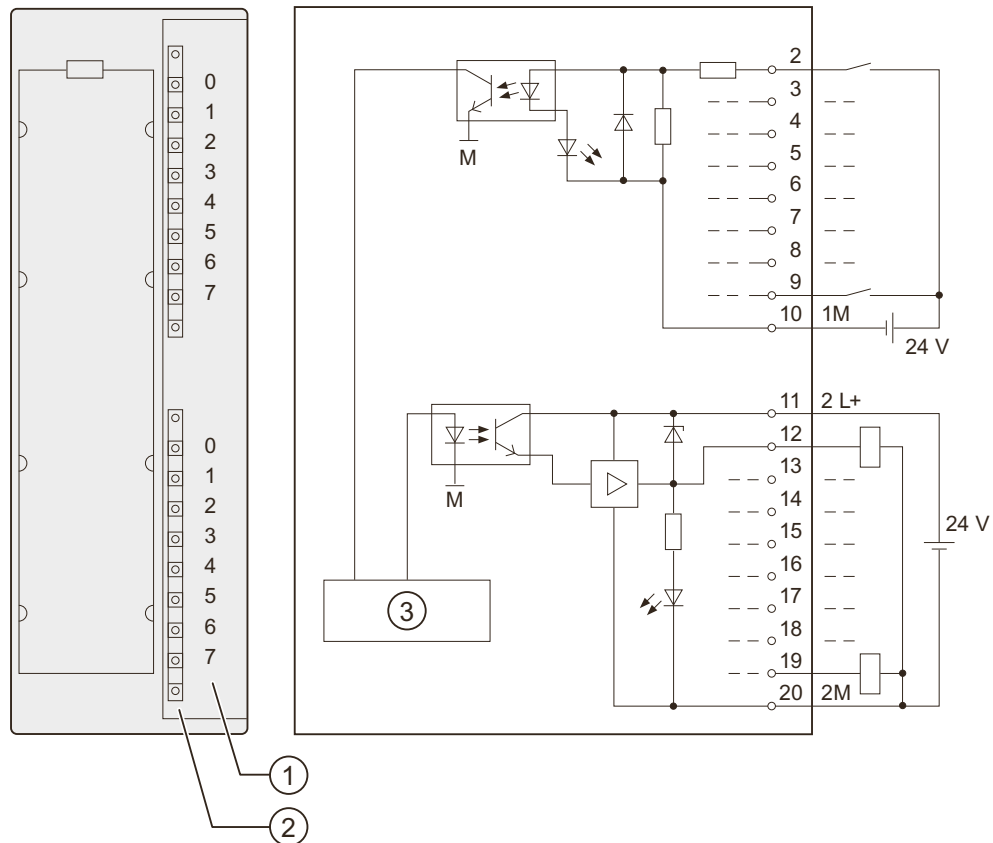
### Use of the module with high-speed counters

Please note when using the module in combination with high-speed counters:

#### NOTE

When using a mechanical contact to switch on the 24-V power supply to SM 323; DI 8/DO 8 x DC 24 V/0.5 A, its outputs will carry "1" signal for the duration of ca. 50  $\mu$ s, due to the circuit structure.

### Wiring and block diagram of SM 323; DI 8/DO 8 x DC 24 V/0.5 A



- ① Channel number
- ② Status displays - green
- ③ Backplane bus interface

**SM 323; DI 8/DO 8 x DC 24 V/0.5 A - Technical specifications**

<b>Technical specifications</b>	
<b>Dimensions and weight</b>	
Dimensions W x H x D (mm)	40 x 125 x 117
Weight	ca. 200 g
<b>Module-specific data</b>	
Supports isochronous mode	no
Number of inputs	8
Number of outputs	8
Cable length <ul style="list-style-type: none"> <li>unshielded</li> <li>shielded</li> </ul>	max. 600 m max. 1000 m
<b>Voltages, currents, electrical potentials</b>	
Rated load voltage L+	24 V DC
Number of simultaneously controlled inputs <ul style="list-style-type: none"> <li>horizontal mounting position to 60 °C</li> <li>vertical mounting position to 40 °C</li> </ul>	8 8
Total current of outputs (per group) <ul style="list-style-type: none"> <li>horizontal mounting position to 60 °C</li> <li>vertical mounting position to 40 °C</li> </ul>	max. 4 A max. 4 A
Electrical isolation <ul style="list-style-type: none"> <li>between channels and the backplane bus</li> <li>between channels Inputs in groups of 8 Outputs in groups of 8</li> </ul>	yes yes 8 8
Isolation test voltage	500 V DC
Current consumption <ul style="list-style-type: none"> <li>from the backplane bus</li> <li>from load voltage L+ (no-load)</li> </ul>	max. 40 mA max. 40 mA
Power loss of the module	typ. 3.5 W
<b>Status, interrupts, diagnostics</b>	
Status display	green LED per channel
Interrupts	none
Diagnostic functions	none
<b>Encoder selection data</b>	
Input voltage <ul style="list-style-type: none"> <li>Rated value</li> <li>"1" signal</li> <li>"0" signal</li> </ul>	24 V DC 13 V to 30 V - 30 V to + 5 V

## 3.39 Programmable digital IO module SM 327; DI 8/DO 8 x DC 24 V/0.5 A (6ES7327-1BH00-0AB0)

Technical specifications	
Input current • "1" signal	typ. 7 mA
Input delay • "0" to "1" transition • "1" to "0" transition	1.2 ms to 4.8 ms 1.2 ms to 4.8 ms
Input characteristics	to IEC 61131, type 1
Connection of 2-wire BEROs • Permissible quiescent current	supported max. 1.5 mA
Wiring of the signal transmitters	using a 20-pin front connector
Actuator selection data	
Output voltage • "1" signal	min. L + (- 0.8 V)
Output current	
• "1" signal Rated value Permitted range	0.5 A 5 mA to 0.6 A
• "0" signal (residual current)	Max. 0.5 mA
Output delay (resistive load)	
• "0" to "1" transition • "1" to "0" transition	Max. 100 $\mu$ s Max. 500 $\mu$ s
Load resistance range	48 $\Omega$ to 4 k $\Omega$
Lamp load	Max. 5 W
Wiring two outputs in parallel	
• for redundant load control	supported (only outputs of the same group)
• for performance increase	not supported
Control of a digital input	supported
Switching frequency • with resistive load • with inductive load to IEC 947-5-1, DC 13 • with lamp load	max. 100 Hz max. 0.5 Hz max. 10 Hz
Internal limiting of the inductive shutdown voltage to	typ. L + (- 53 V)
Short circuit-proof output	yes, electronic
• Threshold	typ. 1 A
Wiring of the actuators	using a 20-pin front connector

### 3.39 Programmable digital IO module SM 327; DI 8/DO 8 x DC 24 V/0.5 A (6ES7327-1BH00-0AB0)

#### Order number

6ES7327-1BH00-0AB0

## Properties

Properties of SM 327; DI 8/DO 8 x DC 24 V/0.5 A:

- 8 digital inputs and 8 individually configurable inputs or outputs, isolated in groups of 16
- Rated input voltage 24 V DC
- Inputs suitable for switches and 2-/3-/4-wire proximity switches (BEROs)
- Output current 0.5 A
- Rated load voltage 24 V DC
- Outputs capable of driving solenoid valves, DC contactors and indicator lights
- Dynamic change of parameters in RUN (CiR-compatible), separately at each channel.
- Readback of outputs.

## Use of the module with high-speed counters

Please note when using the module in combination with high-speed counters:

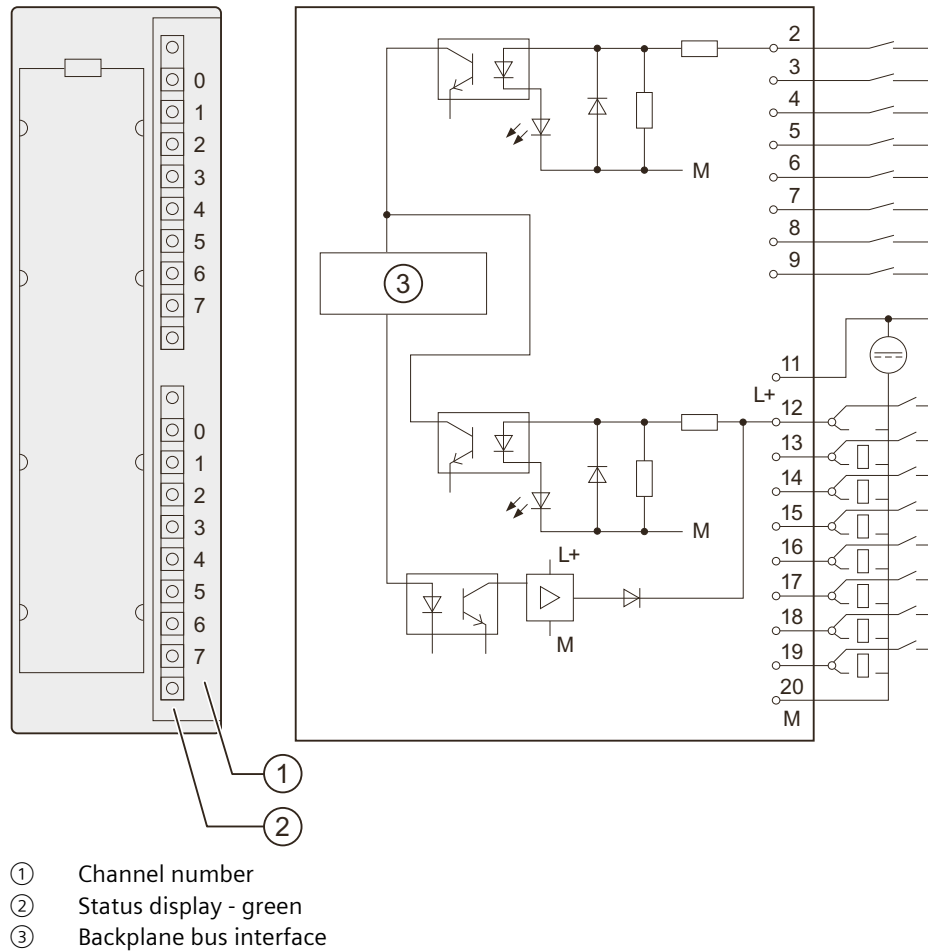
---

### NOTE

When using a mechanical contact to switch on the 24-V power supply to SM 327; DI 8/DO 8 x DC 24 V/0.5 A, its outputs will carry "1" signal for the duration of ca. 50  $\mu$ s, due to the circuit structure.

---

**Wiring and block diagram of SM 327; DI 8/DO 8 x DC 24 V/0.5 A, programmable**



- ① Channel number
- ② Status display - green
- ③ Backplane bus interface

**Technical specifications of SM 327; DI 8/DO 8 x DC 24 V/0.5 A, programmable**

Technical specifications	
<b>Dimensions and weight</b>	
Dimensions W x H x D (mm)	40 x 125 x 120
Weight	ca. 200 g
<b>Module-specific data</b>	
Supports isochronous mode	no
Number of inputs	8 digital
Number of inputs/outputs	8, can be programmed separately
Cable length	
• unshielded	max. 600 m
• shielded	max. 1000 m
<b>Voltages, currents, electrical potentials</b>	
Rated load voltage L+	24 V DC
Number of simultaneously controlled inputs	

<b>Technical specifications</b>	
<ul style="list-style-type: none"> <li>horizontal mounting position to 60 °C</li> <li>vertical mounting position to 40 °C</li> </ul>	16 16
Total current of outputs (per group)	
<ul style="list-style-type: none"> <li>horizontal mounting position to 40 °C to 60 °C</li> <li>vertical mounting position to 40 °C</li> </ul>	max. 4 A max. 3 A max. 2 A
Electrical isolation	
<ul style="list-style-type: none"> <li>between channels and the backplane bus</li> <li>between channels</li> </ul>	yes no
Isolation test voltage	500 V DC
Current consumption <ul style="list-style-type: none"> <li>from the backplane bus</li> <li>from load voltage L+ (no-load)</li> </ul>	max. 60 mA max. 20 mA
Power loss of the module	typ. 3 W
<b>Status, interrupts, diagnostics</b>	
Status display	green LED per channel
Interrupts	none
Diagnostic functions	none
<b>Encoder selection data</b>	
Input voltage <ul style="list-style-type: none"> <li>Rated value</li> <li>"1" signal</li> <li>"0" signal</li> </ul>	24 V DC 15 V to 30 V - 30 V to + 5 V
Input current <ul style="list-style-type: none"> <li>"1" signal</li> </ul>	typ. 6 mA
Input delay <ul style="list-style-type: none"> <li>"0" to "1" transition</li> <li>"1" to "0" transition</li> </ul>	1.2 ms to 4.8 ms 1.2 ms to 4.8 ms
Input characteristics	to IEC 61131, type 1
Connection of 2-wire BEROs <ul style="list-style-type: none"> <li>Permissible quiescent current</li> </ul>	supported max. 1.5 mA
Wiring of the signal transmitters	using a 20pin front connector
<b>Actuator selection data</b>	
Output voltage <ul style="list-style-type: none"> <li>"1" signal</li> </ul>	min. L+ (-1.5 V)
Output current	
<ul style="list-style-type: none"> <li>"1" signal Rated value Permitted range</li> </ul>	0.5 A 5 mA to 0.6 A
<ul style="list-style-type: none"> <li>"0" signal (residual current)</li> </ul>	Max. 0.5 mA



## 3.39 Programmable digital IO module SM 327; DI 8/DO 8 x DC 24 V/0.5 A (6ES7327-1BH00-0AB0)

Technical specifications	
Output delay (resistive load)	
<ul style="list-style-type: none"> <li>"0" to "1" transition</li> <li>"1" to "0" transition</li> </ul>	max. 350 µs max. 500 µs
Load resistance range	48 Ω to 4 kΩ
Lamp load	max. 5 W
Wiring two outputs in parallel	
<ul style="list-style-type: none"> <li>for redundant load control</li> </ul>	supported
<ul style="list-style-type: none"> <li>for performance increase</li> </ul>	not supported
Control of a digital input	supported
Switching frequency <ul style="list-style-type: none"> <li>with resistive load</li> <li>with inductive load to IEC 947-5-1, DC 13</li> <li>with lamp load</li> </ul>	max. 100 Hz max. 0.5 Hz max. 10 Hz
Internal limiting of the inductive shutdown voltage to	typ. L + (-54 V)
Short circuit-proof output	yes, electronic
<ul style="list-style-type: none"> <li>Threshold</li> </ul>	typ. 1 A
Wiring of the actuators	using a 20pin front connector

### 3.39.1 Parameters of SM 327; DI 8/DO 8 x 24 VDC/0.5 A

#### Programming

The general procedure of programming digital modules is described in the chapter Programming digital modules ([Page 52](#)).

#### Parameters of SM 327; DI 8/DO 8 x DC 24 V/0.5 A, programmable

The table below lists the programmable parameters of SM 327; DI 8/DO 8 x DC 24 V/0.5 A, including defaults.

The defaults apply if you have not set any parameters in *STEP 7*.

The comparison illustrates the parameters you can edit:

- in *STEP 7*
- using SFC55 "WR\_PARM"
- using SFB53 "WRREC" (for GSD, for example).

Parameters set in *STEP 7* may also be transferred to the module using SFCs 56 and 57, and SFB 53 (refer to the *STEP 7* Online Help).

Table 3-38 Parameters of SM 327; DI 8/DO 8 x DC 24 V/0.5 A

Parameters	Range of values	Default	Parameter type	Scope	Data record number	Programmable using ...	
						SFC55, SFB53	PG
Digital output	yes/no	no	dynamic	Channel	1	yes	yes

### 3.39.1.1 Structure of data record 1 of SM 327; DI 8/DO 8 x DC 24 V/0.5 A

#### Structure of data record 1

The figure below shows the structure of data record 1 of the dynamic parameters of SM 327; DI 8/DO 8 x DC 24 V/0.5 A.

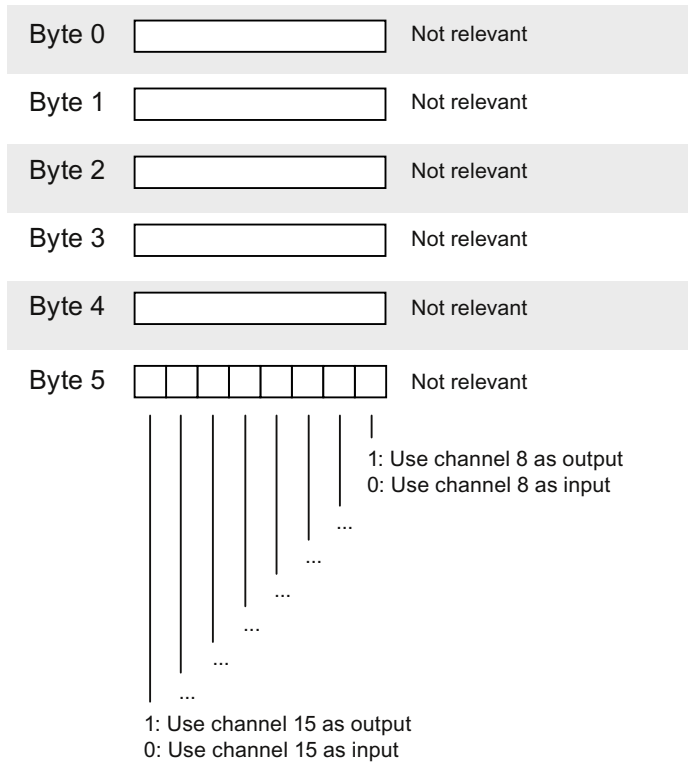


Figure 3-10 Structure of data record 1 of SM 327; DI 8/DO 8 x DC 24 V/0.5 A

#### Readback of outputs

The readback function is a simple form of diagnostics. You can use this to determine whether the information output to the process ("1" or "0") actually arrives there.

## 3.39 Programmable digital IO module SM 327; DI 8/DO 8 x DC 24 V/0.5 A (6ES7327-1BH00-0AB0)

The digital outputs can be read back to the user data area: When Q11.3 is configured as an output, for example, it can be read back at I11.3. See the figure below

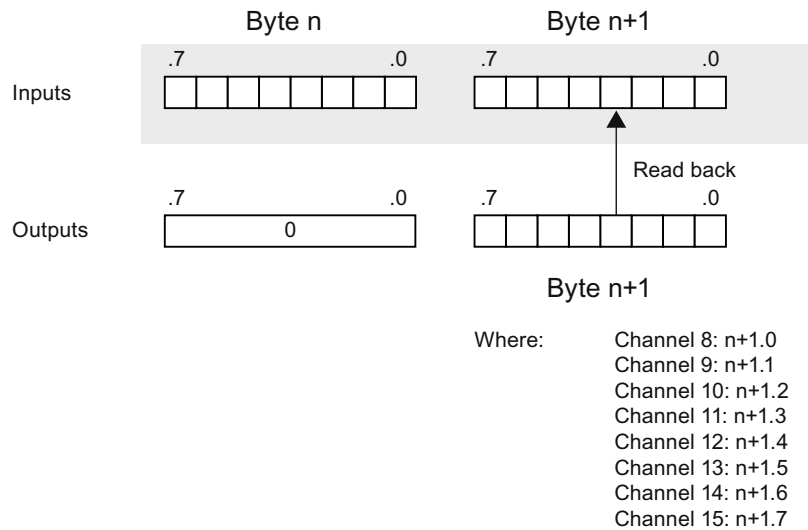


Figure 3-11 Readback of the outputs of SM 327; DI 8/DO 8 x DC 24 V/0.5 A

# Principles of analog value processing

## 4.1 Overview

### Introduction

This chapter describes the basic procedure in wiring and connecting signal sensors to analog inputs and analog outputs and corresponding items to observe.

The diagrams below do not show the connecting lines required to connect the electrical potentials of the analog input module and sensors.

Always adhere to the general information on sensor wiring and connecting.

Special wiring and connecting options are described in the corresponding module data.

### Installation and wiring

For information on installation and wiring, refer to the S7-300, CPU 31xC, and CPU 31x Operating Instructions: Installation. The operating instructions are available on the Internet (<http://support.automation.siemens.com/WW/view/en/13008499>).

## 4.2 Wiring and connecting transducers to analog inputs

### Transducers which can be wired and connected to analog inputs

You can wire and connect the following transducers to the analog input modules, depending on the type of measurement:

- Voltage transducers
- Current transducers
  - As 2-wire transducer
  - As 4-wire transducer
- Resistors
- Thermocouples

### Cables for analog signals

Always use shielded twisted-pair cables to wire analog signals. This reduces interference. Connect both ends of the analog cable shield to ground.

Any potential difference between the cable ends may cause an equipotential current on the shield and disturbance on analog signals. Avoid this effect by means of low-impedance equipotential bonding. Ground only one end of the shielding.

### Electrically isolated analog input modules

Electrically isolated analog input modules are not electrically interconnected at the reference point of the measuring circuit ( $M_{ANA}$  and/or M) and the M terminal of the CPU/IM153.

Always use electrically isolated analog input modules if there is any risk of potential difference  $V_{ISO}$  developing between the reference point of measuring circuit (M<sub>ANA</sub> and/or M-) and the M terminal of the CPU/IM153 .

You can prevent the potential difference  $V_{ISO}$  from exceeding limits by means of equipotential interconnection of terminals M<sub>ANA</sub> and M of the CPU/IM153.

### Non-isolated analog input modules

Non-isolated analog input modules require a low-impedance connection between the reference point of measuring circuit M<sub>ANA</sub> and the M terminal of the CPU or interface module IM 153. Interconnect terminals M<sub>ANA</sub> with M of the CPU or interface module IM 153. Any potential difference between M<sub>ANA</sub> and M of the CPU or interface module IM 153 may corrupt the analog signal.

### Limited potential difference CMV

The permissible potential difference  $U_{CM}$  (CMV/Common Mode) may not be exceeded. A CMV fault may develop between

- the measurement inputs (M+ / M-) and the reference potential of measuring circuit M<sub>ANA</sub>
- between the measuring inputs.

The following diagrams show the measures to be taken when wiring transducers.

## 4.2.1 Wiring and connecting electrically isolated transducers

### Electrically isolated transducers

Electrically isolated transducers are not connected to local ground potential. They can be operated in electrically isolated mode.

Potential differences may develop between electrically isolated sensors. These potential differences may be caused by interference, or may develop as a result of the local distribution of transducers.

In environments with a high level of EMC interference, it is advisable to interconnect M- with M<sub>ANA</sub> in order to prevent the permissible CMV value from being exceeded.

---

#### NOTE

For modules where  $V_{CM} \leq 2.5$  V, interconnect M- and M<sub>ANA</sub> (see the diagrams below).

---

### Wiring and connecting electrically isolated transducers to an electrically isolated AI

The CPU / IM 153 can be operated in grounded mode or ungrounded mode.

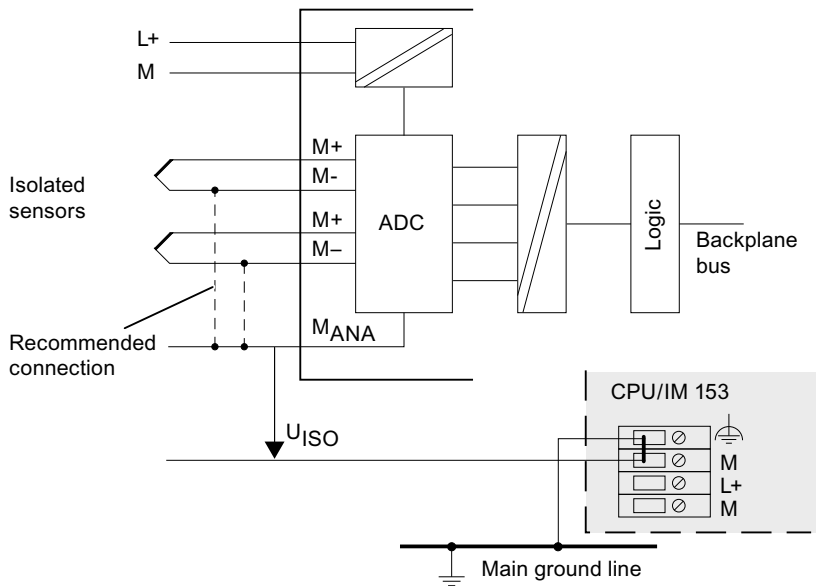


Figure 4-1 Wiring and connecting electrically isolated transducers to electrically isolated AI

### Wiring and connecting electrically isolated transducers to a non-isolated AI

The CPU / IM 153 can be operated in grounded mode or ungrounded mode.

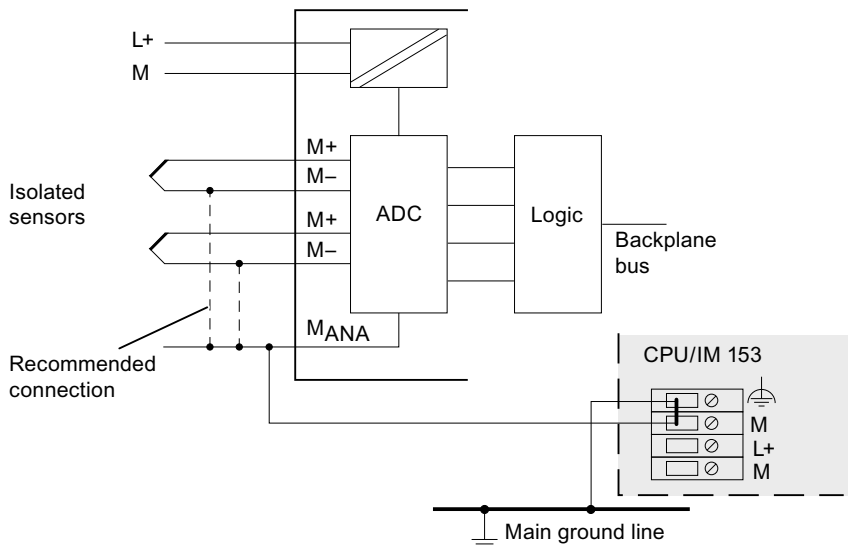


Figure 4-2 Wiring and connecting electrically isolated transducers to a non-isolated AI

**NOTE**

Do not interconnect M- with M<sub>ANA</sub> when wiring and connecting 2-wire transducers and resistance transducers. An equalization current develops at the interconnection of M- with M<sub>ANA</sub> and corrupts the measured value. This also applies to unused inputs which are programmed accordingly.

## 4.2.2 Wiring non-isolated transducers

### Non-isolated transducer

Non-isolated transducers are interconnected with local ground potential. Always interconnect  $M_{ANA}$  with local ground when using non-isolated transducers.

Local conditions or interference may cause potential differences  $CMV$  (static or dynamic) between locally distributed measuring points. If the maximum  $CMV$  value is exceeded, interconnect the measuring points by means of equipotential conductors.

### Wiring non-isolated transducer to electrically isolated AI

When connecting non-isolated transducers to electrically isolated modules, the CPU / IM 153 can be operated in grounded or ungrounded mode.

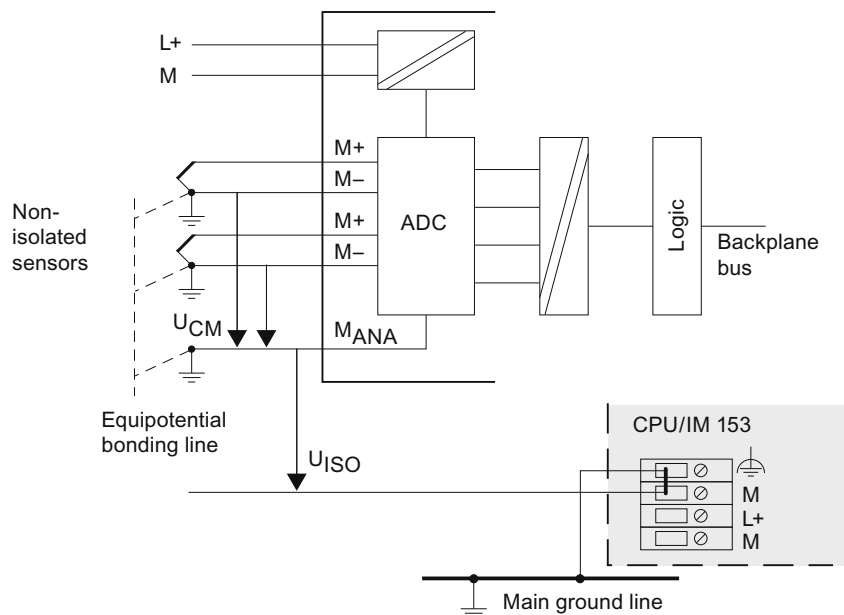


Figure 4-3 Wiring non-isolated transducer to electrically isolated AI

### Wiring non-isolated transducer to a non-isolated AI

Always operate the CPU / IM 153 in grounded mode if you connect non-isolated transducers to non-isolated modules.

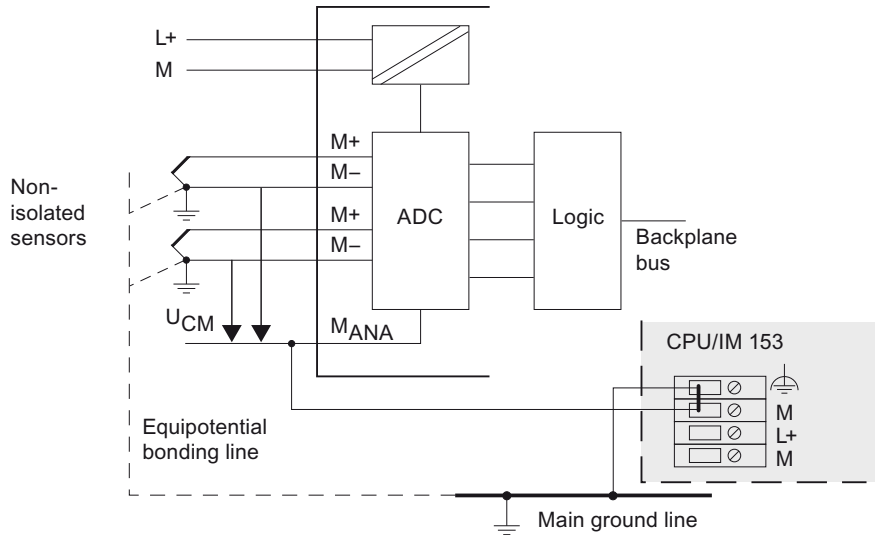


Figure 4-4 Wiring non-isolated transducers to a non-isolated AI

**NOTE**

You may not connect non-isolated 2-wire transducers/resistive transducers to non-isolated analog inputs!

## 4.3 Wiring and connecting voltage transducers

### Introduction

This chapter describes how to wire and connect voltage transducers and the corresponding items to be observed.

### Wiring and connecting voltage transducers

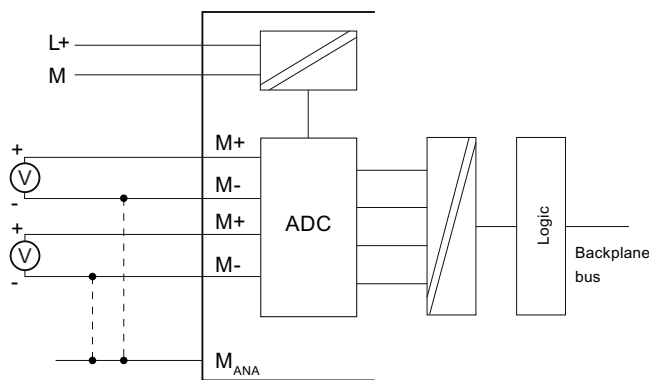


Figure 4-5 Wiring and connecting voltage transducers to electrically isolated AI



## 4.4 Wiring and connecting current transducers

### Introduction

This chapter describes the wiring and connecting of current transducers and rules to be observed.

### Supported current transducers

- As 2-wire transducer
- As 4-wire transducer

### Wiring and connecting 2-wire transducers with power supply from the module

The 2-wire transducer is wired to the short circuit-proof supply voltage at the terminals of the analog input module.

The 2-wire transducer converts the process variable into a current. 2-wire transducers must be electrically isolated.

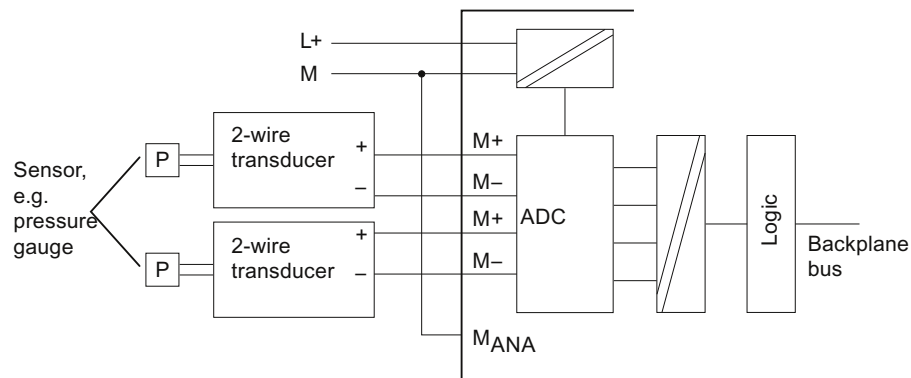


Figure 4-6 Wiring and connecting 2-wire transducers to electrically isolated AI

### Wiring and connecting 2-wire transducers with power supply from L+

Configure the 2-wire as a 4-wire transducer in *STEP 7* if it is connected to supply voltage L+.

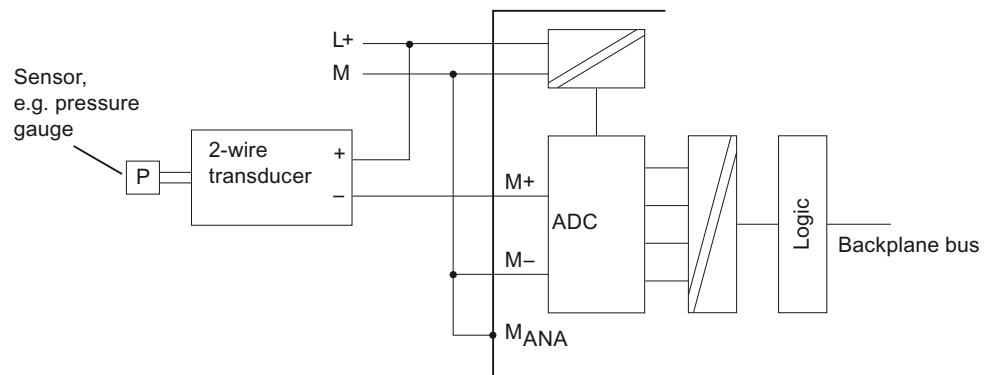


Figure 4-7 Wiring and connecting a 2-wire transducer with supply from L+ to an electrically isolated AI

### Wiring and connecting 4-wire transducers

4-wire transducers are connected to a separately power supply.

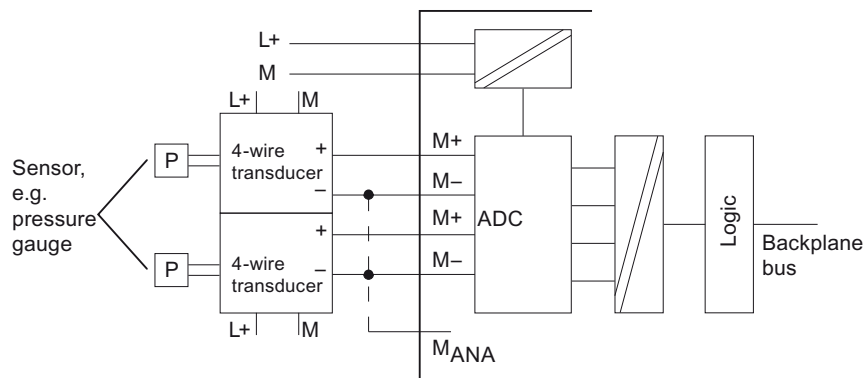


Figure 4-8 Wiring and connecting 4-wire transducers to electrically isolated AI

## 4.5 Wiring and connecting resistance thermometers and resistors

### Introduction

This chapter describes the wiring and connecting of resistance thermometers and resistors and rules to be observed.

### Supported resistance transducers

- With 4-wire connection
- With 3-wire connection
- With 2-wire connection

### Wiring and connecting resistance thermometers and resistors

The module provides a constant current at terminals  $I_{C+}$  and  $I_{C-}$  for current measurements. The constant current is fed to the resistance for measuring its voltage potential. The constant current cables must be wired directly to the resistance thermometer/resistor.

Measurements programmed for 4- or 3-wire connections compensate for line resistance and return considerably higher precision compared to 2-wire connections.

Measurements with programmed 2-wire connections also record line impedance in addition to their internal resistance.

### 4-wire connection of a resistance thermometer

The voltage generated at the resistance thermometer is measured across the  $M_+$  and  $M_-$  terminals. Observe the correct polarity when wiring and connecting the devices ( $I_{C+}$  and  $M_+$ , and  $I_{C-}$  and  $M_-$  at the resistance thermometer).

Always wire and connect the  $I_{C+}$ ,  $M+$ ,  $I_{C-}$  and  $M-$  lines directly to the resistance thermometer.

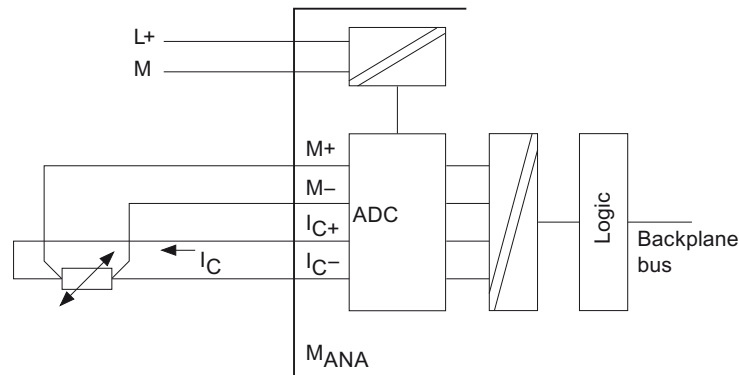


Figure 4-9 4-wire connection of resistance thermometers to an electrically isolated analog input

### 3-wire connection of a resistance thermometer (not for 6ES7331-7PF01-0AB0)

When connecting 3-wire devices to modules equipped with four terminals, you should generally **bridge M- and  $I_{C-}$** . Always wire and connect the connected  $I_{C+}$  and  $M+$  lines directly to the resistance thermometer.

The image shows the basic wiring. Please observe the notes in the description about the respective module.

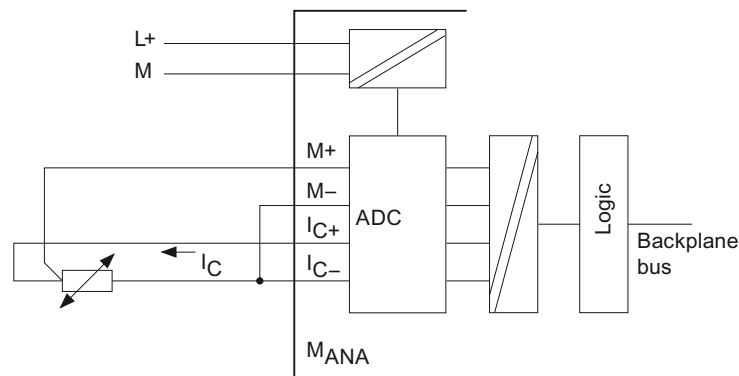


Figure 4-10 3-wire connection of resistance thermometers to an electrically isolated analog input

### 2-wire connection of a resistance thermometer

For 2-wire connections, insert a bridge between the  $M_+$  and  $I_{C+}$  and between the  $M_-$  and  $I_{C-}$  terminals of the module. The line impedance is included in the measurement.

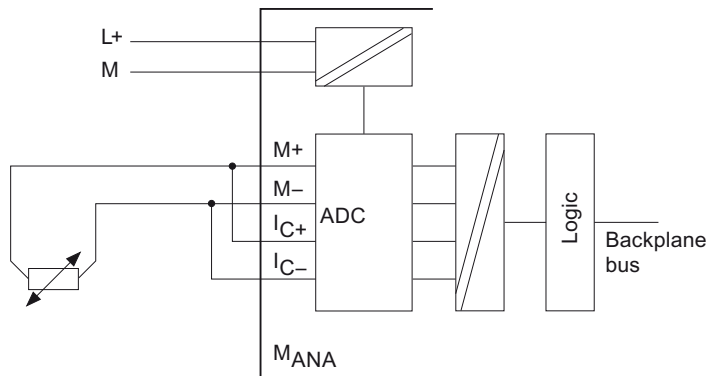


Figure 4-11 2-wire connection of resistance thermometers to an electrically isolated analog input

## 4.6 Wiring and connecting thermocouples

### Introduction

This chapter describes the wiring and connecting of thermocouples and corresponding rules to be observed.

### Supported thermocouples (depending on module)

- B; C; E; J; K; L; N; R; S; T; U;
- TXK / XKL GOST

## Thermocouple selection

The figure below shows several thermocouples and their temperature ranges.

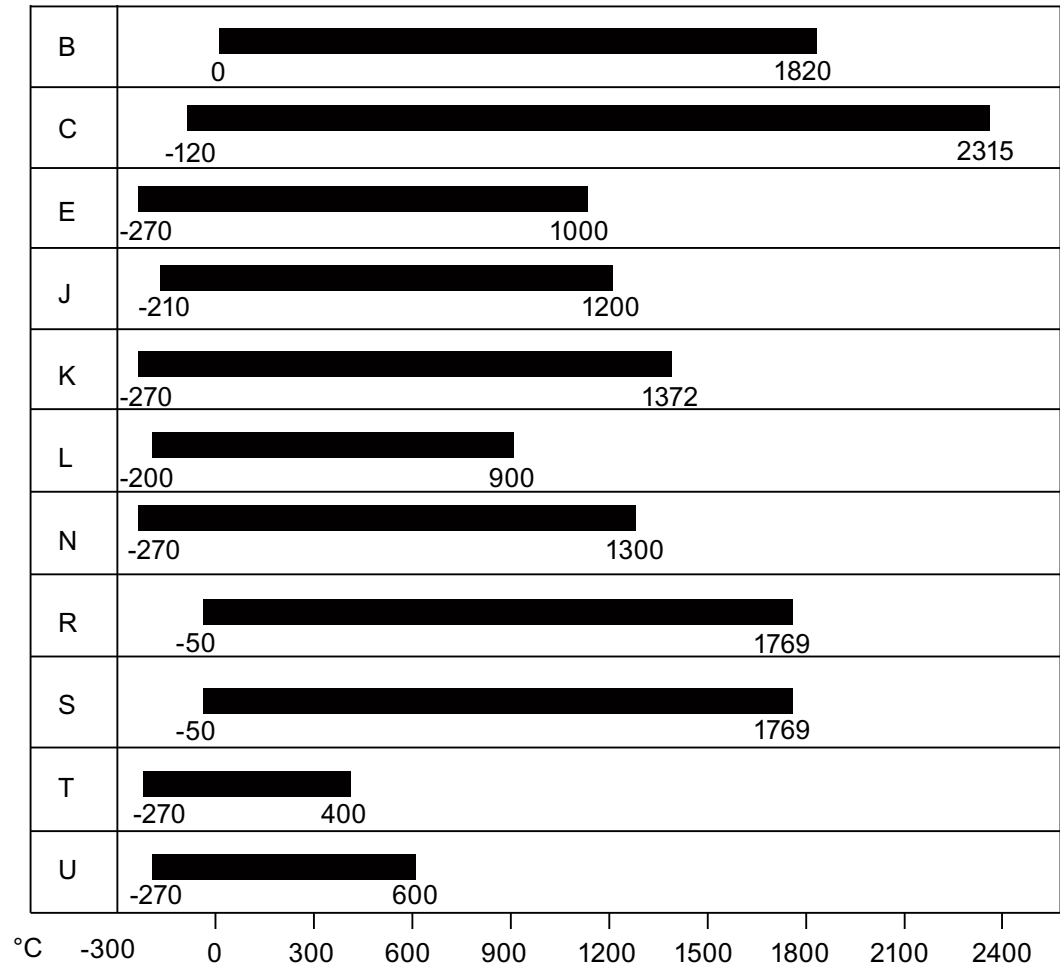


Figure 4-12 Thermocouples and their ranges

## Thermocouple structure

Thermocouples consist of a pair of thermal probes and all necessary installation and connecting parts. The thermocouple pair consists of two wires made of different metals, or of metal alloys soldered or welded together at their ends.

The different thermocouple types, for example, K, J or N, are derived from different material compositions. The measuring principle of all thermocouples is the same, irrespective of their type.

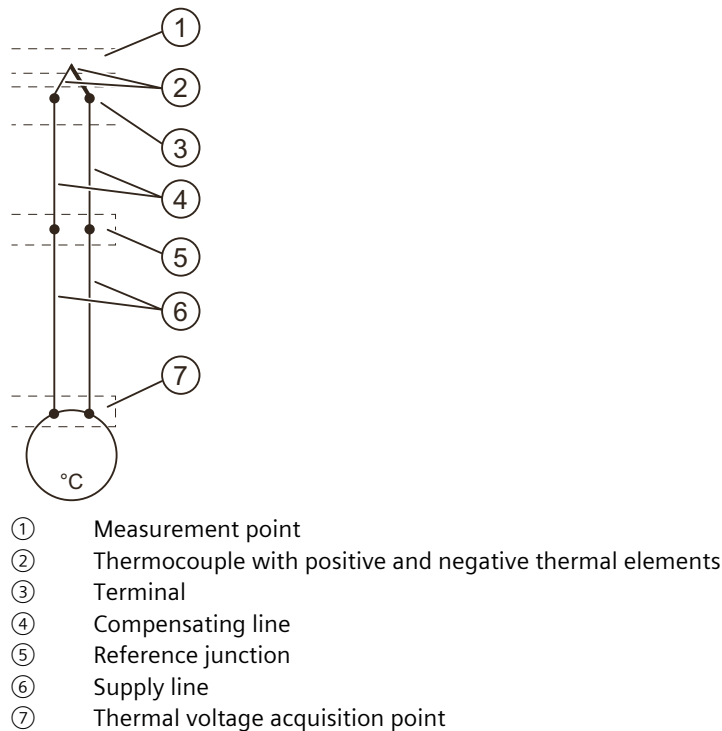


Figure 4-13 Fig. 4-22 Structure of thermocouples

### Operating principle of thermocouples

Any temperature difference between the measuring point and the free ends of the thermocouple (point of connection) generates a thermoelectric voltage. The thermoelectric voltage is a function of the temperature difference between the measuring point and the free ends, and is also determined by the material composition of the thermal elements.

As thermocouples always sense temperature differences, it is essential to maintain the free ends at the known temperature of a reference junction in order to be able to determine the temperature at the measuring point.

The thermocouples can be extended from their point of connection to the reference junction by means of compensating lines. These compensating lines are made of the same materials as the thermocouple wires. The supply lines from the reference junction to the module are made of copper.

---

#### NOTE

Make sure of the correct polarity in order to avoid serious measuring errors.

---

### Compensation for the reference junction temperature

You can compensate for the influence of temperature fluctuation at the reference junction by means of a compensating circuit.

You have several options of measuring the reference junction temperature in order to obtain an absolute temperature value as a function of the temperature difference between the reference junction and the measuring point.

You can use either an internal or an external compensating circuit, depending on the required location of the reference junction.

### Options of compensating for the reference junction temperature

Table 4-1 Options of compensating for the reference junction temperature

Option	Explanations
No compensation	To record only the temperature difference between the measuring point and reference junction.
Internal compensation (for wiring and connecting, see <i>Connecting thermocouples with internal compensation box to electrically isolated analog inputs</i> )	The internal compensation is based on a comparison using the internal temperature (thermocouple internal comparison) of the module.
External compensation with compensation box in the feed lines of each thermocouple (the wiring and connecting is shown in the diagram <i>Wiring and connecting of thermocouples with compensation box to electrically isolated analog inputs</i> and <i>Wiring and connecting of thermocouples with reference junction (order no. M72166-xxx00) to electrically isolated analog inputs</i> )	You have already measured and compensated for the reference junction temperature (thermocouple external comparison) using an interconnected compensating box in the feed lines of each thermocouple. Further signal processing is not required at the module.
Only for SM 331; AI 8 x TC: External compensation with resistance thermometer for recording the reference junction temperature	You can measure the reference temperature using a (platinum or nickel) resistance thermometer, and compute it in the module for any thermocouple.

#### See also

[Wiring and connecting thermocouples with internal compensation \(Page 211\)](#)

[Wiring and connecting thermocouples with external compensation \(Page 212\)](#)

[Wiring and connecting transducers to analog inputs \(Page 200\)](#)

### 4.6.1 Wiring and connecting thermocouples with internal compensation

#### Function principle of internal compensation

Internal compensation allows you to form the reference point at the terminals of the analog input module. In this case, route the compensating lines directly to the analog module. The internal temperature sensor measures the module's temperature and returns a compensation voltage.

Note that internal compensation is not as accurate as external compensation.

### Wiring and connecting thermocouples with internal compensation

Wire the thermocouples either directly to the inputs of the module, or indirectly via compensating lines. Each channel group can use any type of thermocouple supported by the analog module, independently of other channel groups.

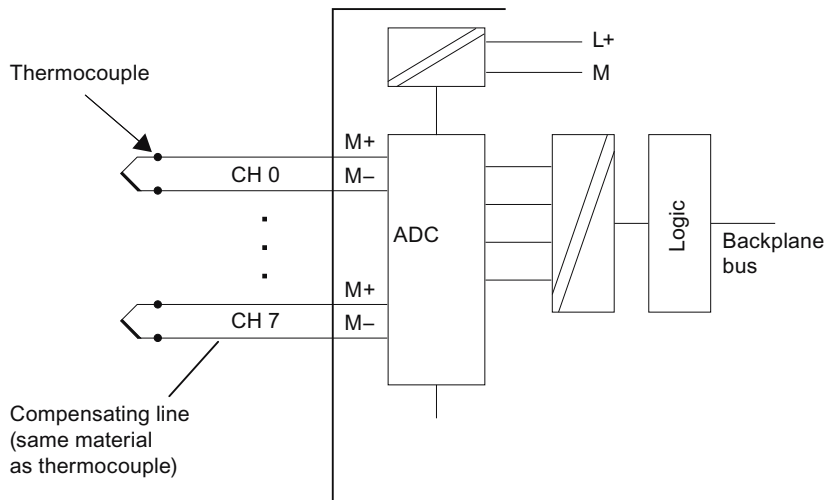


Figure 4-14 Wiring and connecting thermocouples with internal compensation to electrically isolated analog inputs

### 4.6.2 Wiring and connecting thermocouples with external compensation

#### Function principle of external compensation with compensating box

With external compensation, the temperature at the reference junction of the thermocouples is evaluated using a compensating box.

The compensating box contains a bridge circuit which is calibrated to a defined reference junction temperature (calibrating temperature.) The reference junction is formed by the connecting ends of the thermocouple's equalizing conductor.

The resistance of the temperature-sensitive bridge changes as a function of the difference between the actual reference temperature and calibrating temperature. This difference induces a positive or negative compensating voltage, which is added to the thermoelectrical voltage.

#### Wiring and connecting the compensating box

Terminate the compensating box at the COMP terminals of the module; the compensating box must be installed at the reference junction of the thermocouples. The compensating box be supplied with an electrically isolated voltage. The power supply module must provide adequate noise filtering, for example, by means of grounded cable shielding.

The terminals for the connection of the thermocouple on the compensating box are not required and must therefore be jumpered (for example, see figure *Connection of thermocouples to reference junction*)



Restrictions:

- The channel group parameters always apply to the all its channels (for example, input voltage, integrating time etc.)
- External compensation with connection of the compensating box to the COMP connections of the module can only be made for one thermocouple type. That is, all channels that work with external compensation must use the same type.

### Wiring and connecting thermocouples via compensating box

If all thermocouples connected to the module's inputs share a common reference junction, compensate the circuit as follows:

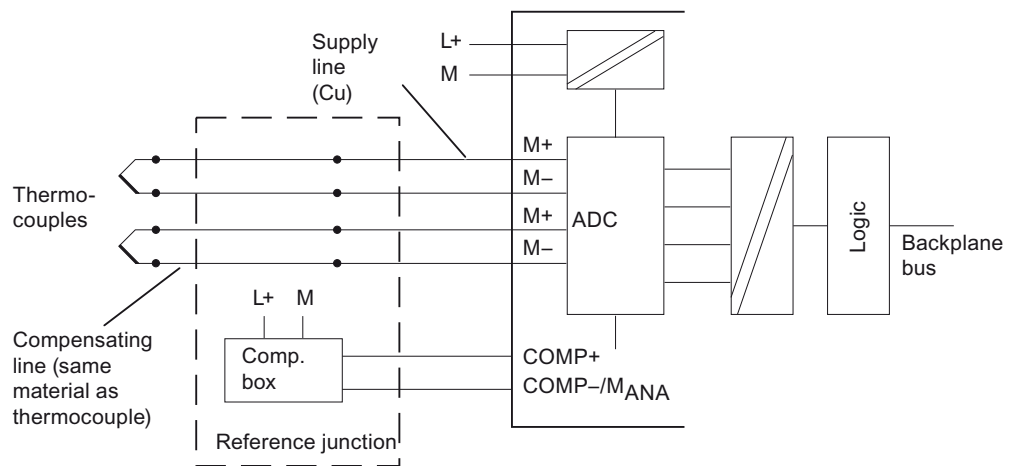


Figure 4-15 Wiring and connecting thermocouples to electrically isolated analog inputs via compensation box

#### NOTE

To compensate the analog input modules, always use compensation boxes with a **reference junction temperature of 0 °C**.

### Recommended compensating box

Use a compensating box with a reference junction. You must order compensating box from external companies. Contact your Siemens representative or Industry Online Support on the Internet (<https://support.industry.siemens.com/cs/ww/en/>).

### Connection of the reference junction

If all thermocouples connected to the module's inputs share a common reference junction, compensate the circuit as follows:

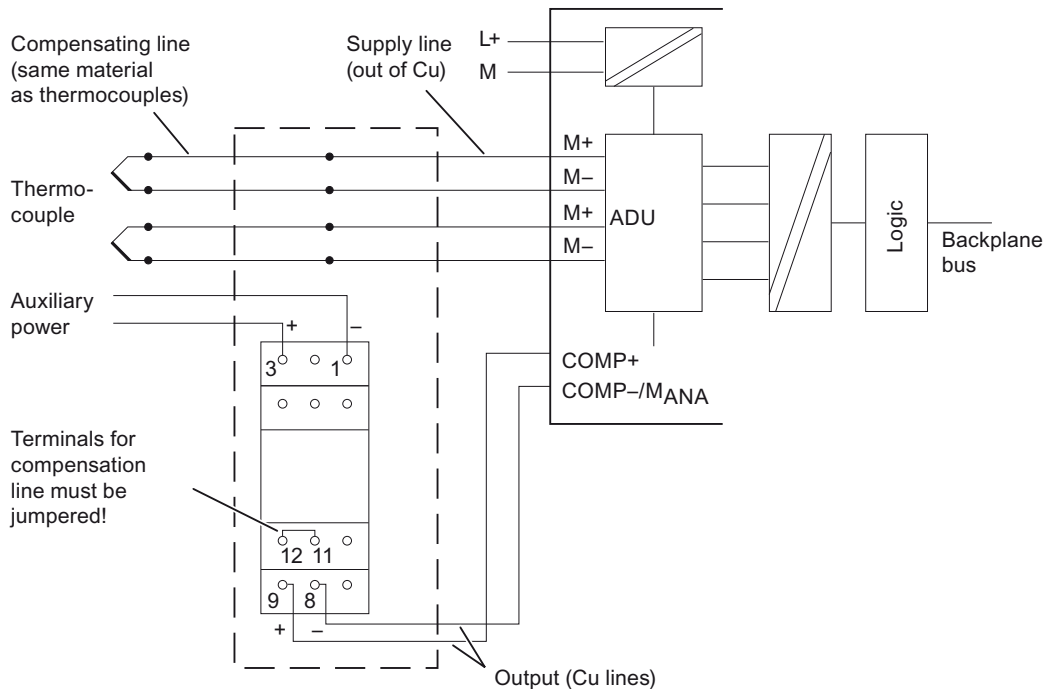


Figure 4-16 Connection of thermocouples to reference junction

### Additional information

You can find additional information on the compensating box and connection to an analog module on the Internet. (<https://support.industry.siemens.com/cs/ww/en/view/18272332>)

## 4.7 Wiring and connecting loads/actuators to analog outputs

### Wiring and connecting loads/actuators to analog outputs

The analog output modules can be used as current or voltage source for loads and actuators.

### Cables for analog signals

Always use shielded twisted-pair cables to wire analog signals. Form two twisted pairs of the Q<sub>V</sub> and S<sub>+</sub>, and M and S<sub>-</sub> signals in order to reduce interference. Connect both ends of the analog cable shield to ground.

Any potential difference between the cable ends may cause an equipotential current on the shield and disturbance on analog signals. Avoid this situation by grounding only one end of the shielding.

### Electrically isolated analog output modules

Electrically isolated analog output modules do not have a galvanic interconnection between the reference point of measuring circuit M<sub>ANA</sub> and the CPU's M terminal.

Always use electrically isolated analog input modules if there is any risk of potential difference  $V_{iso}$  developing between the reference point of measuring circuit  $M_{ANA}$  and the M terminal of the CPU. Use an equipotential bonding conductor to interconnect the  $M_{ANA}$  terminal and the M terminal of the CPU, in order to prevent  $V_{iso}$  from exceeding the permitted value.

### Non-isolated analog output modules

When using on-isolated analog output modules, always interconnect the reference point  $M_{ANA}$  of the of measuring circuit with terminal M of the CPU. Wire the  $M_{ANA}$  terminal to the M terminal of the CPU. Any potential difference between  $M_{ANA}$  and the M terminal of the CPU could otherwise corrupt the analog signal.

## 4.7.1 Wiring and connecting loads/actuators to voltage outputs

### Wiring and connecting loads to a voltage output

The voltage output support the wiring and connecting of 2-wire and 4-wire loads. Certain analog output modules, however, do not support both types of wiring and connecting.

### Wiring 4-wire loads to the voltage output of an electrically isolated module

The 4-wire load circuit returns high precision. Wiring and connecting the S- and S+ sense lines directly to the load. This allows direct measurement and correction of the load voltage. Interference or voltage dips may lead to potential differences between the sense line S- and the reference loop of analog circuit  $M_{ANA}$ . This potential difference may not exceed set limits. Any potential difference above limits has a negative impact on analog signal precision.

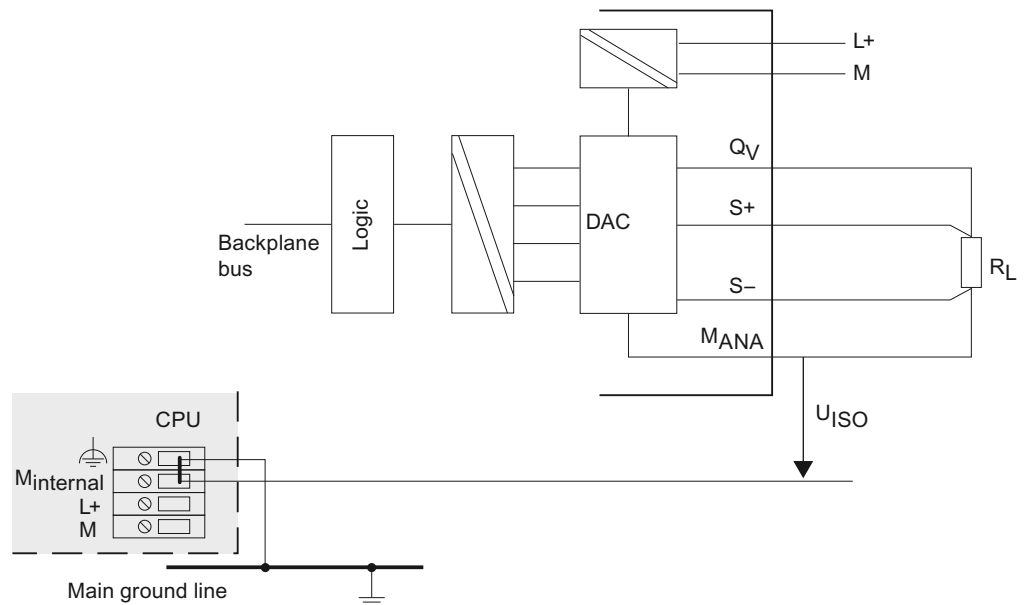


Figure 4-17 4-wire connection of loads to the voltage output of an electrically isolated analog output module

### Wiring 2-wire loads to the voltage output of non-isolated module

Wire the loads to the  $Q_V$  terminals and to the reference point of measuring circuit  $M_{ANA}$ . Interconnect terminal  $S_+$  to  $Q_V$  with terminal  $S_-$  to  $M_{ANA}$  in the front connector. A 2-wire circuit does not provide for compensation of line impedance.

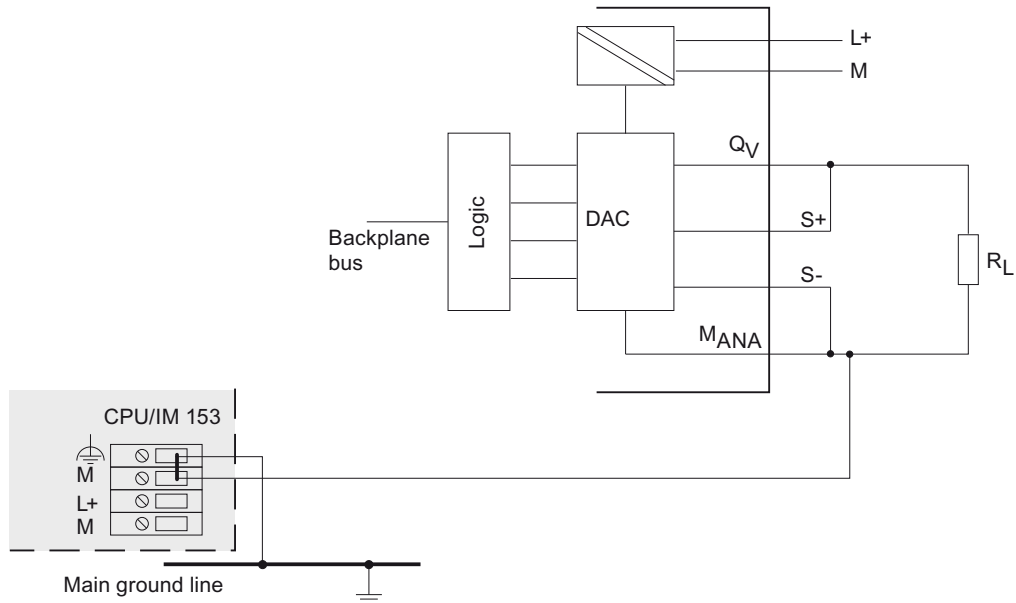


Figure 4-18 2-wire connection of loads to the voltage output of a non-isolated analog module

#### See also

[Wiring and connecting loads/actuators to analog outputs \(Page 214\)](#)

### 4.7.2 Wiring and connecting loads/actuators to current outputs

#### Wiring and connecting loads to a current output

Wire and connect the loads to  $Q_I$  and to the reference point of analog circuit  $M_{ANA}$  of a current output.



# Principles of analog modules

## Introduction

This chapter describes the analog values for all measuring or output ranges supported by the analog modules.

## Analog value conversion

The CPU always processes the analog values in binary format.

Analog input modules convert the analog process signal to a digital format.

Analog output modules convert digital output values to analog signals.

## Representation of analog values at a resolution of 16 bits

The digitized analog value applies to input and output values of the same rated range. Analog values are output as fixed point numbers with two's complement. The resultant assignment:

Bit	15	14	13	12	11	10	9	8	7	6	5	4	3	2	1	0
Bit values	$2^{15}$	$2^{14}$	$2^{13}$	$2^{12}$	$2^{11}$	$2^{10}$	$2^9$	$2^8$	$2^7$	$2^6$	$2^5$	$2^4$	$2^3$	$2^2$	$2^1$	$2^0$

## Sign

The sign of the analog value is always set at bit 15:

- "0" → +
- "1" → -

## Resolution < 16 bits

On analog modules with a resolution of < 16 bits, the analog value is stored left-aligned. The unused least significant bit positions are padded with zeros ("0".)

## Example

The example below demonstrates the zero padding of unused bit positions for low resolution values.

Table 5-1 Example: Bit pattern of a 16-bit and 13-bit analog value

Resolution	Analog value															
Bit	15	14	13	12	11	10	9	8	7	6	5	4	3	2	1	0
16-bit analog value	0	1	0	0	0	1	1	0	0	1	1	1	0	0	1	1
13-bit analog value	0	1	0	0	0	1	1	0	0	1	1	1	0	0	0	0

## 5.1 Representation of the values for analog input channels

### Measured value resolution

The resolution of the analog values may differ, based on the analog module and module parameters. At resolutions < 15 bits, all bits identified by "x" are set to "0".

#### NOTE

This resolution does not apply to temperature values. Converted temperature values are the result of a conversion in the analog module.

Table 5-2 Supported analog value resolutions

Resolution in bits (+ sign)	Units		Analog value	
	dec	hex	high byte	low byte
8	128	80 <sub>H</sub>	Sign 0 0 0 0 0 0 0	1 x x x x x x x
9	64	40 <sub>H</sub>	Sign 0 0 0 0 0 0 0	0 1 x x x x x x
10	32	20 <sub>H</sub>	Sign 0 0 0 0 0 0 0	0 0 1 x x x x x
11	16	10 <sub>H</sub>	Sign 0 0 0 0 0 0 0	0 0 0 1 x x x x
12	8	8 <sub>H</sub>	Sign 0 0 0 0 0 0 0	0 0 0 0 1 x x x
13	4	4 <sub>H</sub>	Sign 0 0 0 0 0 0 0	0 0 0 0 0 1 x x
14	2	2 <sub>H</sub>	Sign 0 0 0 0 0 0 0	0 0 0 0 0 0 1 x
15	1	1 <sub>H</sub>	Sign 0 0 0 0 0 0 0	0 0 0 0 0 0 0 1

### Binary representation of input ranges

Table 5-3 Bipolar input ranges

Units	Measured value in %	Data word																Range	
		2 <sup>15</sup>	2 <sup>14</sup>	2 <sup>13</sup>	2 <sup>12</sup>	2 <sup>11</sup>	2 <sup>10</sup>	2 <sup>9</sup>	2 <sup>8</sup>	2 <sup>7</sup>	2 <sup>6</sup>	2 <sup>5</sup>	2 <sup>4</sup>	2 <sup>3</sup>	2 <sup>2</sup>	2 <sup>1</sup>	2 <sup>0</sup>		
32767	>118.515	0	1	1	1	1	1	1	1	1	1	1	1	1	1	1	1	1	Overflow
32511	117.589	0	1	1	1	1	1	1	0	1	1	1	1	1	1	1	1	1	Overshoot range
27649	>100.004	0	1	1	0	1	1	0	0	0	0	0	0	0	0	0	0	1	
27648	100.000	0	1	1	0	1	1	0	0	0	0	0	0	0	0	0	0	0	Rated range
1	0.003617	0	0	0	0	0	0	0	0	0	0	0	0	0	0	0	0	1	
0	0.000	0	0	0	0	0	0	0	0	0	0	0	0	0	0	0	0	0	
-1	-0.003617	1	1	1	1	1	1	1	1	1	1	1	1	1	1	1	1	1	
-27648	-100.000	1	0	0	1	0	1	0	0	0	0	0	0	0	0	0	0	0	Undershoot range
-27649	≤-100.004	1	0	0	1	0	0	1	1	1	1	1	1	1	1	1	1	1	
-32512	-117.593	1	0	0	0	0	0	0	1	0	0	0	0	0	0	0	0	0	Underflow
-32768	≤-117.596	1	0	0	0	0	0	0	0	0	0	0	0	0	0	0	0	0	

## 5.1 Representation of the values for analog input channels

Table 5-4 Unipolar input ranges

Units	Measured value in %	Data word															Range	
		2 <sup>15</sup>	2 <sup>14</sup>	2 <sup>13</sup>	2 <sup>12</sup>	2 <sup>11</sup>	2 <sup>10</sup>	2 <sup>9</sup>	2 <sup>8</sup>	2 <sup>7</sup>	2 <sup>6</sup>	2 <sup>5</sup>	2 <sup>4</sup>	2 <sup>3</sup>	2 <sup>2</sup>	2 <sup>1</sup>		2 <sup>0</sup>
32767	≥118.515	0	1	1	1	1	1	1	1	1	1	1	1	1	1	1	1	Overflow
32511	117.589	0	1	1	1	1	1	1	0	1	1	1	1	1	1	1	1	Overshoot range range
27649	≥100.004	0	1	1	0	1	1	0	0	0	0	0	0	0	0	0	1	
27648	100.000	0	1	1	0	1	1	0	0	0	0	0	0	0	0	0	0	Rated range
1	0.003617	0	0	0	0	0	0	0	0	0	0	0	0	0	0	0	1	
0	0.000	0	0	0	0	0	0	0	0	0	0	0	0	0	0	0	0	Undershoot range range
-1	-0.003617	1	1	1	1	1	1	1	1	1	1	1	1	1	1	1	1	
-4864	-17.593	1	1	1	0	1	1	0	1	0	0	0	0	0	0	0	0	Underflow
-32768	≤-17.596	1	0	0	0	0	0	0	0	0	0	0	0	0	0	0	0	

## Representation of analog values in voltage measuring ranges

Table 5-5 Representation of analog values in the ±1 V to ±10 V voltage measuring range

System		Voltage measuring range				
dec	hex	±10 V	±5 V	±2.5 V	±1 V	
32767	7FFF	11.851 V	5.926 V	2.963 V	1.185 V	Overflow
32512	7F00					
32511	7EFF	11.759 V	5.879 V	2.940 V	1.176 V	Overshoot range
27649	6C01					
27648	6C00	10 V	5 V	2.5 V	1 V	Rated range
20736	5100	7.5 V	3.75 V	1.875 V	0.75 V	
1	1	361.7 μV	180.8 μV	90.4 μV	36.17 μV	
0	0	0 V	0 V	0 V	0 V	
-1	FFFF					
-20736	AF00	-7.5 V	-3.75 V	-1.875 V	-0.75 V	
-27648	9400	-10 V	-5 V	-2.5 V	-1 V	Undershoot range
-27649	93FF					
-32512	8100	-11.759 V	-5.879 V	-2.940 V	-1.176 V	Underflow
-32513	80FF					
-32768	8000	-11.851 V	-5.926 V	-2.963 V	-1.185 V	

Table 5-6 Representation of analog values in the ±80 mV to ±500 mV voltage measuring ranges

System		Voltage measuring range			
dec	hex	±500 mV	±250 mV	±80 mV	
32767	7FFF	592.6 mV	296.3 mV	94.8 mV	Overflow
32512	7F00				



System		Voltage measuring range				
32511	7EFF	587.9 mV	294.0 mV	94.1 mV		Overshoot range
27649	6C01					
27648	6C00	500 mV	250 mV	80 mV		Rated range
20736	5100	375 mV	187.5 mV	60 mV		
1	1	18.08 $\mu$ V	9.04 $\mu$ V	2.89 $\mu$ V		
0	0	0 mV	0 mV	0 mV		
-1	FFFF					
-20736	AF00	-375 mV	-187.5 mV	-60 mV		
-27648	9400	-500 mV	-250 mV	-80 mV		
-27649	93FF					Undershoot range
-32512	8100	-587.9 mV	-294.0 mV	-94.1 mV		
-32513	80FF					Underflow
-32768	8000	-592.6 mV	-296.3 mV	-94.8 mV		

Table 5-7 Representation of analog values in the 1 V to 5 V and 0 V to 10 V voltage measuring ranges

System		Voltage measuring range				
dec	hex	1 V to 5 V	0 V to 10 V			
32767	7FFF	5.741 V	11.852 V		Overflow	
32512	7F00					
32511	7EFF	5.704 V	11.759 V		Overshoot range	
27649	6C01					
27648	6C00	5 V	10 V		Rated range	
20736	5100	4 V	7.5 V			
1	1	1 V + 144.7 $\mu$ V	0 V + 361.7 $\mu$ V			
0	0	1 V	0 V			
-1	FFFF		Negative values are not supported		Undershoot range	
-4864	ED00	0.296 V				
-4865	ECFF					Underflow
-32768	8000					

### Representation of analog values in the current measuring ranges

Table 5-8 Representation of analog values in the  $\pm 3.2$  mA to  $\pm 20$  mA current measuring ranges

System		Current measuring range				
dec	hex	$\pm 20$ mA	$\pm 10$ mA	$\pm 3.2$ mA		
32767	7FFF	23.70 mA	11.85 mA	3.79 mA		Overflow
32512	7F00					
32511	7EFF	23.52 mA	11.76 mA	3.76 mA		Overshoot range
27649	6C01					

## 5.1 Representation of the values for analog input channels

System		Current measuring range			
27648	6C00	20 mA	10 mA	3.2 mA	Rated range
20736	5100	15 mA	7.5 mA	2.4 mA	
1	1	723.4 nA	361.7 nA	115.7 nA	
0	0	0 mA	0 mA	0 mA	
-1	FFFF				
-20736	AF00	-15 mA	-7.5 mA	-2.4 mA	
-27648	9400	-20 mA	-10 mA	-3.2 mA	Undershoot range
-27649	93FF				
-32512	8100	-23.52 mA	-11.76 mA	-3.76 mA	Underflow
-32513	80FF				
-32768	8000	-23.70 mA	-11.85 mA	-3.79 mA	

Table 5-9 Representation of analog values in the 0 mA to 20 mA and 4 mA to 20 mA current measuring ranges

System		Current measuring range			
dec	hex	0 mA to 20 mA	4 mA to 20 mA		
32767	7FFF	23.70 mA	22.96 mA		Overflow
32512	7F00				Overshoot range
32511	7EFF	23.52 mA	22.81 mA		
27649	6C01				Rated range
27648	6C00	20 mA	20 mA		
20736	5100	15 mA	16 mA		
1	1	723.4 nA	4 mA + 578.7 nA		
0	0	0 mA	4 mA		Undershoot range
-1	FFFF				
-4864	ED00	-3.52 mA	1.185 mA		Underflow
-4865	ECFF				
-32768	8000				

## Representation of the analog values of resistive transducers

Table 5-10 Representation of the analog values of 6 k $\Omega$ ; 10 k $\Omega$  and from 150  $\Omega$  to 600  $\Omega$  resistive transducers

System		Resistive transducer range					
dec	hex	6k $\Omega$	10 k $\Omega$	150 $\Omega$	300 $\Omega$	600 $\Omega$	
32767	7FFF	7.111 k $\Omega$	11.852 k $\Omega$	177.77 $\Omega$	355.54 $\Omega$	711.09 $\Omega$	Overflow
32512	7F00			176.39 $\Omega$	352.78 $\Omega$	705.55 $\Omega$	Overshoot range
32511	7EFF	7.055 k $\Omega$	11.759 k $\Omega$	176.38 $\Omega$	352.77 $\Omega$	705.53 $\Omega$	
27649	6C01						

System		Resistive transducer range					Rated range
27648	6C00	6.0 k $\Omega$	10 k $\Omega$	150 $\Omega$	300 $\Omega$	600 $\Omega$	
20736	5100	4.5 k $\Omega$	7.5 k $\Omega$	112.5 $\Omega$	225 $\Omega$	450 $\Omega$	
1	1	217.0 m $\Omega$	361.7 m $\Omega$	5.43 m $\Omega$	10.85 m $\Omega$	21.70 m $\Omega$	
0	0	0 $\Omega$	0 $\Omega$	0 $\Omega$	0 $\Omega$	0 $\Omega$	
(negative values are physically impossible)							Undershoot range

### Representation of analog values for resistance thermometers Pt x00 and Pt x00 GOST (0.003850) standard

Table 5-11 Representation of analog values for resistance thermometers PT 100, 200, 500,1000 and PT 10, 50,100, 500 GOST (0.003850) standard

Pt x00 Standard / GOST in $^{\circ}\text{C}$ (1 digit = 0.1 $^{\circ}\text{C}$ )	Units		Pt x00 Standard/ GOST in $^{\circ}\text{F}$ (1 digit = 0.1 $^{\circ}\text{F}$ )	Units		Pt x00 Standard/ GOST in K (1 digit = 0.1 K)	Units		Range
	dec	hex		dec	hex		dec	hex	
> 1000.0	32767	7FFF <sub>H</sub>	> 1832.0	32767	7FFF <sub>H</sub>	> 1273.2	32767	7FFF <sub>H</sub>	Overflow
1000.0	10000	2710 <sub>H</sub>	1832.0	18320	4790 <sub>H</sub>	1273.2	12732	31BC <sub>H</sub>	Overshoot range
: 850.1	: 8501	: 2135 <sub>H</sub>	: 1562.1	: 15621	: 3D05 <sub>H</sub>	: 1123.3	: 11233	: 2BE1 <sub>H</sub>	
850.0	8500	2134 <sub>H</sub>	1562.0	15620	3D04 <sub>H</sub>	1123.2	11232	2BE0 <sub>H</sub>	Rated range
: -200.0	: -2000	: F830 <sub>H</sub>	: -328.0	: -3280	: F330 <sub>H</sub>	: 73.2	: 732	: 2DC <sub>H</sub>	
-200.1	-2001	F82F <sub>H</sub>	-328.1	-3281	F32F <sub>H</sub>	73.1	731	2DB <sub>H</sub>	Undershoot range
: -243.0	: -2430	: F682 <sub>H</sub>	: -405.4	: -4054	: F02A <sub>H</sub>	: 30.2	: 302	: 12E <sub>H</sub>	
< - 243.0	-32768	8000 <sub>H</sub>	< - 405.4	-32768	8000 <sub>H</sub>	< 30.2	32768	8000 <sub>H</sub>	Underflow

### Representation of the analog values of Pt x00 GOST (0.003910) standard resistance thermometers

Table 5-12 Representation of the analog values of Pt 10, 50, 100, 500 GOST (0.003910) standard resistance thermometers

Pt x00 GOST Standard in $^{\circ}\text{C}$ (1 digit = 0.1 $^{\circ}\text{C}$ )	Units		Pt x00 GOST Standard in $^{\circ}\text{F}$ (1 digit = 0.1 $^{\circ}\text{F}$ )	Units		Range
	dec	hex		dec	hex	
> 1295.0	32767	7FFF <sub>H</sub>	> 2363.0	32767	7FFF <sub>H</sub>	Overflow
1295.0	12950	3296 <sub>H</sub>	2363.0	23630	5CE4 <sub>H</sub>	Overshoot range
: 1100.1	: 11001	: 2AF9 <sub>H</sub>	: 2012.1	: 20121	: 4E99 <sub>H</sub>	
1100.0	11000	2AF8 <sub>H</sub>	2012.0	20120	4E98 <sub>H</sub>	Rated range
: -260.0	: -2600	: F5D8 <sub>H</sub>	: -436.0	: -4360	: EEF8 <sub>H</sub>	
-260.1	-2601	F5D7 <sub>H</sub>	-436.1	-4361	EEF7 <sub>H</sub>	Undershoot range
: -273.2	: -2732	: F554 <sub>H</sub>	: -459.7	: -4597	: EE0B <sub>H</sub>	
< - 273.2	-32768	8000 <sub>H</sub>	< - 459.7	-32768	8000 <sub>H</sub>	Underflow

### Representation of analog values for Pt x00 and Pt x0 GOST (0.003850 and 0.003910) climatic resistance thermometers

Table 5-13 Representation of analog values for Pt 100, 200, 500,1000 and Pt 10, 50, 100, 500 GOST (0.003850 and 0.003910) climatic resistance thermometers

Pt x00 climatic/GOST in °C (1 digit = 0.01 °C)	Units		Pt x00 climatic/GOST in °F (1 digit = 0.01 °F)	Units		Range
	dec	hex		dec	hex	
> 155.00	32767	7FFF <sub>H</sub>	> 311.00	32767	7FFF <sub>H</sub>	Overflow
155.00 : 130.01	15500 : 13001	3C8C <sub>H</sub> : 32C9 <sub>H</sub>	311.00 : 266.01	31100 : 26601	797C <sub>H</sub> : 67E9 <sub>H</sub>	Overshoot range
130.00 : -120.00	13000 : -12000	32C8 <sub>H</sub> : D120 <sub>H</sub>	266.00 : -184.00	26600 : -18400	67E8 <sub>H</sub> : B820 <sub>H</sub>	Rated range
-120.01 : -145.00	-12001 : -14500	D11F <sub>H</sub> : C75C <sub>H</sub>	-184.01 : -229.00	-18401 : -22900	B81F <sub>H</sub> : A68C <sub>H</sub>	Undershoot range
< - 145.00	-32768	8000 <sub>H</sub>	< - 229.00	-32768	8000 <sub>H</sub>	Underflow

### Representation of the analog values of Ni x00 Standard resistance thermometers

Table 5-14 Representation of the analog values of Ni100, 120, 200, 500, 1000 and LG-Ni 1000 resistance thermometers

Ni x00 Standard in °C (1 digit = 0.1°C)	Units		Ni x00 Standard in °F (1 digit = 0.1 °F)	Units		Ni x00 standard in K (1 digit = 0.1 K)	Units		Range
	dec	hex		dec	hex		dec	hex	
> 295.0	32767	7FFF <sub>H</sub>	> 563.0	32767	7FFF <sub>H</sub>	> 568.2	32767	7FFF <sub>H</sub>	Overflow
295.0 : 250.1	2950 : 2501	B86 <sub>H</sub> : 9C5 <sub>H</sub>	563.0 : 482.1	5630 : 4821	15FE <sub>H</sub> : 12D5 <sub>H</sub>	568.2 : 523.3	5682 : 5233	1632 <sub>H</sub> : 1471 <sub>H</sub>	Overshoot range
250.0 : -60.0	2500 : -600	9C4 <sub>H</sub> : FDA8 <sub>H</sub>	482.0 : -76.0	4820 : -760	12D4 <sub>H</sub> : FD08 <sub>H</sub>	523.2 : 213.2	5232 : 2132	1470 <sub>H</sub> : 854 <sub>H</sub>	Rated range
-60.1 : -105.0	-601 : -1050	FDA7 <sub>H</sub> : FBE6 <sub>H</sub>	-76.1 : -157.0	-761 : -1570	FD07 <sub>H</sub> : F9DE <sub>H</sub>	213.1 : 168.2	2131 : 1682	853 <sub>H</sub> : 692 <sub>H</sub>	Undershoot range
< -105.0	-32768	8000 <sub>H</sub>	< -157.0	-32768	8000 <sub>H</sub>	< 168.2	32768	8000 <sub>H</sub>	Underflow

### Representation of the analog values of Ni x00 climate resistance thermometers

The following table shows the analog values for the resistance thermometer Nix00 Climatic for all analog input modules.

Exceptions:

- Analog input module AI 8x12-bit; 6ES7331-7KF02-0AB0
- Analog input module AI 2x12-bit; 6ES7331-7KB02-0AB0

There is no overrange for these analog input modules. Overflow begins at 240 °C and is encoded with 7FFF<sub>H</sub>.

Table 5-15 Representation of the analog values of Ni 100, 120, 200, 500, 1000 and LG-Ni 1000 resistance thermometers

Ni x00 climatic in °C (1 digit = 0.01 °C)	Units		Ni x00 climatic in °F (1 digit = 0.01 °F)	Units		Range
	dec	hex		dec	hex	
> 295.00	32767	7FFF <sub>H</sub>	> 327.66	32767	7FFF <sub>H</sub>	Overflow
295.00 : 250.01	29500 : 25001	733C <sub>H</sub> : 61A9 <sub>H</sub>	327.66 : 280.01	32766 : 28001	7FFE <sub>H</sub> : 6D61 <sub>H</sub>	Overshoot range
250.00 : -60.00	25000 : -6000	61A8 <sub>H</sub> : E890 <sub>H</sub>	280.00 : -76.00	28000 : -7600	6D60 <sub>H</sub> : E250 <sub>H</sub>	Rated range
-60.01 : -105.00	-6001 : -10500	E88F <sub>H</sub> : D6FC <sub>H</sub>	-76.01 : -157.00	-7601 : -15700	E24F <sub>H</sub> : C2AC <sub>H</sub>	Undershoot range
< - 105.00	-32768	8000 <sub>H</sub>	< - 157.00	-32768	8000 <sub>H</sub>	Underflow

### Representation of the analog values of Ni 100 GOST Standard resistance thermometers

Table 5-16 Representation of the analog values of Ni 100 GOST Standard resistance thermometers

Ni 100 GOST Standard in °C (1 digit = 0.1 °C)	Units		Ni 100 GOST Standard in °F (1 digit = 0.1 °F)	Units		Range
	dec	hex		dec	hex	
> 212.4	32767	7FFF <sub>H</sub>	> 414.3	32767	7FFF <sub>H</sub>	Overflow
212.4 : 180.1	2124 : 1801	084C <sub>H</sub> : 0709 <sub>H</sub>	414.3 : 356.1	4143 : 3561	102F <sub>H</sub> : 0DE9 <sub>H</sub>	Overshoot range
180.0 : -60.0	1800 : -600	0708 <sub>H</sub> : FDA8 <sub>H</sub>	356.0 : -76.0	3560 : -760	0DE8 <sub>H</sub> : FD08 <sub>H</sub>	Rated range
-60.1 : -105.0	-601 : -1050	FDA7 <sub>H</sub> : FBE6 <sub>H</sub>	-76.1 : -157.0	-761 : -1570	FD07 <sub>H</sub> : F9DE <sub>H</sub>	Undershoot range
< - 105.0	-32768	8000 <sub>H</sub>	< - 157.0	-32768	8000 <sub>H</sub>	Underflow

## Representation of the analog values of Ni 100 GOST Klima resistance thermometers

Table 5-17 Representation of the analog values of Ni 100 GOST Klima resistance thermometers

Ni 100 GOST Klima in °C (1 digit = 0.1°C)	Units		Ni 100 GOST Klima in °F (1 digit = 0.1 °F)	Units		Range
	dec	hex		dec	hex	
> 212.40	32767	7FFF <sub>H</sub>	> 327.66	32767	7FFF <sub>H</sub>	Overflow
212.40	21240	52F8 <sub>H</sub>	327.66	32766	7FFE <sub>H</sub>	Overshoot range
:	:	:	:	:	:	
180.01	18001	4651 <sub>H</sub>	280.01	28001	6D61 <sub>H</sub>	
180.00	18000	4650 <sub>H</sub>	280.00	28000	6D60 <sub>H</sub>	Rated range
:	:	:	:	:	:	
-60.00	-6000	E890 <sub>H</sub>	-76.00	-7600	E250 <sub>H</sub>	
-60.01	-6001	E88F <sub>H</sub>	-76.01	-7601	E24F <sub>H</sub>	Undershoot range
:	:	:	:	:	:	
-105.00	-10500	D6FC <sub>H</sub>	-157.00	-15700	C2AC <sub>H</sub>	
< - 105.00	-32768	8000 <sub>H</sub>	< - 157.00	-32768	8000 <sub>H</sub>	Underflow

## Representation of the analog values for Cu 10 standard resistance thermometers

Table 5-18 Representation of the analog values for Cu 10 standard resistance thermometers

Cu 10 standard in °C (1 digit = 0.01 °C)	Units		Cu 10 standard in °F (1 digit = 0.01 °F)	Units		Cu 10 standard in K (1 digit = 0.01 K)	Units		Range
	dec	hex		dec	hex		dec	hex	
> 312.0	32767	7FFF <sub>H</sub>	> 593.6	32767	7FFF <sub>H</sub>	> 585.2	32767	7FFF <sub>H</sub>	Overflow
312.0	3120	C30 <sub>H</sub>	593.6	5936	1730 <sub>H</sub>	585.2	5852	16DC <sub>H</sub>	Overshoot range
:	:	:	:	:	:	:	:	:	
260.1	2601	A29 <sub>H</sub>	500.1	5001	12D5 <sub>H</sub>	533.3	5333	14D5 <sub>H</sub>	
260.0	2600	A28 <sub>H</sub>	500.0	5000	1389 <sub>H</sub>	533.2	5332	14D4 <sub>H</sub>	Rated range
:	:	:	:	:	:	:	:	:	
-200.0	-2000	F830 <sub>H</sub>	-328.0	-3280	F330 <sub>H</sub>	73.2	732	2DC <sub>H</sub>	
-200.1	-2001	F82F <sub>H</sub>	-328.1	-3281	F32F <sub>H</sub>	73.1	731	2DB <sub>H</sub>	Undershoot range
:	:	:	:	:	:	:	:	:	
-240.0	-2400	F6A0 <sub>H</sub>	-400.0	-4000	F060 <sub>H</sub>	33.2	332	14C <sub>H</sub>	
< - 240.0	-32768	8000 <sub>H</sub>	< - 400.0	-32768	8000 <sub>H</sub>	< 33.2	32768	8000 <sub>H</sub>	Underflow

## Representation of analog values for Cu 10 climatic and Cu 10, 50, 100 GOST climatic resistance thermometers

Table 5-19 Representation of analog values for Cu 10 climatic and Cu 10, 50, 100 GOST climatic resistance thermometers

Cu x0 climatic/in °C (1 digit = 0.01 °C)	Units		Cu x0 climatic in °F (1 digit = 0.01 °F)	Units		Range
	dec	hex		dec	hex	
> 180.00	32767	7FFF <sub>H</sub>	> 327.66	32767	7FFF <sub>H</sub>	Overflow
180.00	18000	4650 <sub>H</sub>	327.66	32766	7FFE <sub>H</sub>	Overshoot range
:	:	:	:	:	:	
150.01	15001	3A99 <sub>H</sub>	280.01	28001	6D61A <sub>H</sub>	

Cu x0 climatic/in °C (1 digit = 0.01 °C)	Units		Cu x0 climatic in °F (1 digit = 0.01 °F)	Units		Range
	dec	hex		dec	hex	
150.00 : -50.00	15000 : -5000	3A98 <sub>H</sub> : EC78 <sub>H</sub>	280.00 : - 58.00	28000 : -5800	6D60 <sub>H</sub> : E958 <sub>H</sub>	Rated range
-50.01 : -60.00	-5001 : -6000	EC77 <sub>H</sub> : E890 <sub>H</sub>	-58.01 : -76.00	-5801 : -7600	E957 <sub>H</sub> : E250 <sub>H</sub>	Undershoot range
< - 60.00	-32768	8000 <sub>H</sub>	< - 76.00	-32768	8000 <sub>H</sub>	Underflow

### Representation of analog values for Cu 10, 50, 100, 500 GOST standard (0.00426) resistance thermometers

Table 5-20 Representation of analog values for Cu 10, 50, 100, 500 GOST standard (0.00426) resistance thermometers

Cu x0 Standard in °C (1 digit = 0.1°C)	Units		Cu x0 standard in °F (1 digit = 0.01 °F)	Units		Range
	dec	hex		dec	hex	
> 240.0	32767	7FFF <sub>H</sub>	> 464.0	32767	7FFF <sub>H</sub>	Overflow
240.0 : 200.1	2400 : 2001	0960 <sub>H</sub> : 07D1 <sub>H</sub>	464.0 : 392.1	4640 : 3921	1220 <sub>H</sub> : 0F51 <sub>H</sub>	Overshoot range
200.0 : -50.0	2000 : -500	07D0 <sub>H</sub> : FE0C <sub>H</sub>	392.0 : -58.0	3920 : -580	0F50 <sub>H</sub> : FDBC <sub>H</sub>	Rated range
-50.1 : -60.0	-501 : -600	FE0B <sub>H</sub> : FDA8 <sub>H</sub>	-58.1 : -76.0	-581 : -760	FDBB <sub>H</sub> : FD08 <sub>H</sub>	Undershoot range
< - 60.00	-32768	8000 <sub>H</sub>	< - 76.0	-32768	8000 <sub>H</sub>	Underflow

### Representation of the analog values for Cu 10, 50, 100, 500 GOST standard (0.00428) resistance thermometers

Table 5-21 Representation of the analog values for Cu 10, 50, 100, 500 GOST standard (0.00428) resistance thermometers

Cu x0 standard in °C (1 digit = 0.01 °C)	Units		Cu x0 standard in °F (1 digit = 0.01 °F)	Units		Range
	dec	hex		dec	hex	
> 240.0	32767	7FFF <sub>H</sub>	> 464.0	32767	7FFF <sub>H</sub>	Overflow
240.0 : 200.1	2400 : 2001	0960 <sub>H</sub> : 07D1 <sub>H</sub>	464.0 : 392.1	4640 : 3921	1220 <sub>H</sub> : 0F51 <sub>H</sub>	Overshoot range

## 5.1 Representation of the values for analog input channels

Cu x0 stand- ard in °C (1 digit = 0.01 °C)	Units		Cu x0 stand- ard in °F (1 digit = 0.01 °F)	Units		Range
	dec	hex		dec	hex	
200.0 : -200.0	2000 : -2000	07D0 <sub>H</sub> : F830 <sub>H</sub>	392.0 : -328.0	3920 : -3280	0F50 <sub>H</sub> : F330 <sub>H</sub>	Rated range
-200.1 : -240.0	-2001 : -2400	F82F <sub>H</sub> : F6A0 <sub>H</sub>	-328.1 : -405.4	-3281 : -4054	F32F <sub>H</sub> : F02A <sub>H</sub>	Undershoot range
< -240.0	-32768	8000 <sub>H</sub>	< -405.4	-32768	8000 <sub>H</sub>	Underflow

## Representation of analog values for KTY83/110 silicon temperature sensors

Table 5-22 Representation of analog values for KTY83/110 silicon temperature sensors

KTY83/110 in °C (1 digit = 0.1 °C)	Units		KTY83/110 in °F (1 digit = 0.1 °F)	Units		KTY83/110 in °K (1 digit = 0.1 °K)	Units		Range
	dec	hex		dec	hex		dec	hex	
> 206.3	32767	7FFF <sub>H</sub>	> 403.3	32767	7FFF <sub>H</sub>	> 479.5	32767	7FFF <sub>H</sub>	Overflow
206.3 : 175.1	2063 : 1751	080F <sub>H</sub> : 06D7 <sub>H</sub>	403.3 : 347.1	4033 : 3471	0FC1 <sub>H</sub> : 0D8F <sub>H</sub>	479.5 : 448.3	4795 : 4483	12BB <sub>H</sub> : 1183 <sub>H</sub>	Overshoot range
175 : -55	1750 : -550	06D6 <sub>H</sub> : FDDA <sub>H</sub>	347 : -67	3470 : -670	0D8E <sub>H</sub> : FD62 <sub>H</sub>	448.2 : 218.2	4482 : 2182	1182 <sub>H</sub> : 0886 <sub>H</sub>	Rated range
-55.1 : -64.7	-551 : -647	FDD9 <sub>H</sub> : FD79 <sub>H</sub>	-67.1 : -84.5	-671 : -845	FD61 <sub>H</sub> : FCB3 <sub>H</sub>	218.1 : 208.5	2181 : 2085	0885 <sub>H</sub> : 08205 <sub>H</sub>	Undershoot range
< -64.7	-32768	8000 <sub>H</sub>	< -84.5	-32768	8000 <sub>H</sub>	< 208.5	-32768	8000 <sub>H</sub>	Underflow

## Representation of analog values for KTY84/130 silicon temperature sensors

Table 5-23 Representation of analog values for KTY84/130 silicon temperature sensors

KTY84/130 in °C (1 digit = 0.1 °C)	Units		KTY84/130 in °F (1 digit = 0.1 °F)	Units		KTY84/130 in °K (1 digit = 0.1 °K)	Units		Range
	dec	hex		dec	hex		dec	hex	
> 352.8	32767	7FFF <sub>H</sub>	> 667.0	32767	7FFF <sub>H</sub>	> 626.0	32767	7FFF <sub>H</sub>	Overflow
352.8 : 300.1	3528 : 3001	0DC8 <sub>H</sub> : 0BB9 <sub>H</sub>	667.0 : 572.1	6670 : 5721	1A0E <sub>H</sub> : 1659 <sub>H</sub>	626.0 : 573.3	6260 : 5733	1874 <sub>H</sub> : 1665 <sub>H</sub>	Overshoot range
300 : -40	3000 : -400	0BB8 <sub>H</sub> : FE70 <sub>H</sub>	572 : -40	5720 : -400	1658 <sub>H</sub> : FE70 <sub>H</sub>	573.2 : 233.2	5732 : 2332	1664 <sub>H</sub> : 091C <sub>H</sub>	Rated range
-40.1 : -47.0	-401 : -470	FE6F <sub>H</sub> : FE2A <sub>H</sub>	-40.1 : -52.6	-401 : -526	FE6F <sub>H</sub> : FDF2 <sub>H</sub>	233.1 : 226.2	2331 : 2262	091B <sub>H</sub> : 08D6 <sub>H</sub>	Undershoot range
< -47.0	-32768	8000 <sub>H</sub>	< -52.6	-32768	8000 <sub>H</sub>	< 226.2	-32768	8000 <sub>H</sub>	Underflow



### Representation of the analog values of thermocouples type B

Table 5-24 Representation of the analog values of thermocouples type B

Type B in °C	Units		Type B in °F	Units		Type B in K	Units		Range
	dec	hex		dec	hex		dec	hex	
> 2070.0	32767	7FFF <sub>H</sub>	> 3276.6	32767	7FFF <sub>H</sub>	> 2343.2	32767	7FFF <sub>H</sub>	Overflow
2070.0	20700	50DC <sub>H</sub>	3276.6	32766	7FFE <sub>H</sub>	2343.2	23432	5B88 <sub>H</sub>	Overshoot range
:	:	:	:	:	:	:	:	:	
1820.1	18201	4719 <sub>H</sub>	2786.6	27866	6CDA <sub>H</sub>	2093.3	20933	51C5 <sub>H</sub>	
1820.0	18200	4718 <sub>H</sub>	2786.5	27865	6CD9 <sub>H</sub>	2093.2	20932	51C4 <sub>H</sub>	Rated range
:	:	:	:	:	:	:	:	:	
0.0	0	0000 <sub>H</sub>	32.0	320	0140 <sub>H</sub>	273.2	2732	0AAC <sub>H</sub>	
:	:	:	:	:	:	:	:	:	Undershoot range
-120.0	-1200	FB50 <sub>H</sub>	-184.0	-1840	F8D0 <sub>H</sub>	153.2	1532	05FC <sub>H</sub>	
< -120.0	-32768	8000 <sub>H</sub>	< -184.0	-32768	8000 <sub>H</sub>	< 153.2	32768	8000 <sub>H</sub>	Underflow

### Representation of the analog values of thermocouples type C

Table 5-25 Representation of the analog values of thermocouples type C

Type C in °C	Units		Type C in °F	Units		Range
	dec	hex		dec	hex	
> 2500.0	32767	7FFF <sub>H</sub>	> 3276.6	32767	7FFF <sub>H</sub>	Overflow
2500.0	25000	61A8 <sub>H</sub>	3276.6	32766	7FFE <sub>H</sub>	Overshoot range
:	:	:	:	:	:	
2315.1	23151	5A6F <sub>H</sub>	2786.6	27866	6CDA <sub>H</sub>	
2315.0	23150	5A6E <sub>H</sub>	2786.5	27865	6CD9 <sub>H</sub>	Rated range
:	:	:	:	:	:	
0.0	0	0000 <sub>H</sub>	32.0	320	0140 <sub>H</sub>	
-0.1	-1	FFFF <sub>H</sub>	31.9	319	013F <sub>H</sub>	Undershoot range
:	:	:	:	:	:	
-120.0	-1200	FB50 <sub>H</sub>	-184.0	-1840	F8D0 <sub>H</sub>	
< -120.0	-32768	8000 <sub>H</sub>	< -184.0	-32768	8000 <sub>H</sub>	Underflow

### Representation of the analog values of thermocouples type E

Table 5-26 Representation of the analog values of thermocouples type E

Type E in °C	Units		Type E in °F	Units		Type E in K	Units		Range
	dec	hex		dec	hex		dec	hex	
> 1200.0	32767	7FFF <sub>H</sub>	> 2192.0	32767	7FFF <sub>H</sub>	> 1473.2	32767	7FFF <sub>H</sub>	Overflow
1200.0	12000	2EE0 <sub>H</sub>	2192.0	21920	55A0 <sub>H</sub>	1473.2	14732	398C <sub>H</sub>	Overshoot range
:	:	:	:	:	:	:	:	:	
1000.1	10001	2711 <sub>H</sub>	1832.2	18322	4792 <sub>H</sub>	1273.3	12733	31BD <sub>H</sub>	
1000.0	10000	2710 <sub>H</sub>	1832.0	18320	4790 <sub>H</sub>	1273.2	12732	31BC <sub>H</sub>	Rated range
:	:	:	:	:	:	:	:	:	
-270.0	-2700	F574 <sub>H</sub>	-454.0	-4540	EE44 <sub>H</sub>	0	0	0000 <sub>H</sub>	

## 5.1 Representation of the values for analog input channels

Type E in °C	Units		Type E in °F	Units		Type E in K	Units		Range
	dec	hex		dec	hex		dec	hex	
< -270.0	< -2700	< F574 <sub>H</sub>	< -454.0	< -4540	< EE44 <sub>H</sub>	< 0	< 0	< 0000 <sub>H</sub>	Underflow
Faulty wiring (polarity reversal, or open inputs, for example), or sensor error in the negative range (wrong type of thermocouple, for example) will cause the analog input module to signal underflow, starting at...									
... from FOC4 <sub>H</sub> underflow and outputs 8000 <sub>H</sub> .			... from FB70 <sub>H</sub> underflow and outputs 8000 <sub>H</sub> .			... from E5D4 <sub>H</sub> underflow and outputs 8000 <sub>H</sub> .			

## Representation of the analog values of thermocouples type J

Table 5-27 Representation of the analog values of thermocouples type J

Type J in °C	Units		Type J in °F	Units		Type J in K	Units		Range
	dec	hex		dec	hex		dec	hex	
> 1450.0	32767	7FFF <sub>H</sub>	> 2642.0	32767	7FFF <sub>H</sub>	> 1723.2	32767	7FFF <sub>H</sub>	Overflow
1450.0	14500	38A4 <sub>H</sub>	2642.0	26420	6734 <sub>H</sub>	1723.2	17232	4350 <sub>H</sub>	Overshoot range
:	:	:	:	:	:	:	:	:	
1200.1	12001	2EE1 <sub>H</sub>	2192.2	21922	55A2 <sub>H</sub>	1473.3	14733	398D <sub>H</sub>	
1200.0	12000	2EE0 <sub>H</sub>	2192.0	21920	55A0 <sub>H</sub>	1473.2	14732	398C <sub>H</sub>	Rated range
:	:	:	:	:	:	:	:	:	
-210.0	-2100	F7CC <sub>H</sub>	-346.0	-3460	F27C <sub>H</sub>	63.2	632	0278 <sub>H</sub>	
< -210.0	< -2100	< F7CC <sub>H</sub>	< -346.0	< -3460	< F27C <sub>H</sub>	< 63.2	< 632	< 0278 <sub>H</sub>	Underflow
Faulty wiring (polarity reversal, or open inputs, for example), or sensor error in the negative range (wrong type of thermocouple, for example) will cause the analog input module to signal underflow, starting at ...									
... from F31C <sub>H</sub> underflow and outputs 8000 <sub>H</sub> .			... from EAO0C <sub>H</sub> underflow and outputs 8000 <sub>H</sub> .			... from FDC8 <sub>H</sub> underflow and outputs 8000 <sub>H</sub> .			

## Representation of the analog values of thermocouples type K

Table 5-28 Representation of the analog values of thermocouples type K

Type K in °C	Units		Type K in °F	Units		Type K in K	Units		Range
	dec	hex		dec	hex		dec	hex	
> 1622.0	32767	7FFF <sub>H</sub>	> 2951.6	32767	7FFF <sub>H</sub>	> 1895.2	32767	7FFF <sub>H</sub>	Overflow
1622.0	16220	3F5C <sub>H</sub>	2951.6	29516	734C <sub>H</sub>	1895.2	18952	4A08 <sub>H</sub>	Overshoot range
:	:	:	:	:	:	:	:	:	
1372.1	13721	3599 <sub>H</sub>	2501.8	25018	61BA <sub>H</sub>	1645.3	16453	4045 <sub>H</sub>	
1372.0	13720	3598 <sub>H</sub>	2501.6	25061	61B8 <sub>H</sub>	1645.2	16452	4044 <sub>H</sub>	Rated range
:	:	:	:	:	:	:	:	:	
-270.0	-2700	F574 <sub>H</sub>	-454.0	-4540	EE44 <sub>H</sub>	0	0	0000 <sub>H</sub>	
< -270.0	< -2700	< F574 <sub>H</sub>	< -454.0	< -4540	< EE44 <sub>H</sub>	< 0	< 0	< 0000 <sub>H</sub>	Underflow
Faulty wiring (polarity reversal, or open inputs, for example), or sensor error in the negative range (wrong type of thermocouple, for example) will cause the analog input module to signal underflow, starting at ...									
... from FOC4 <sub>H</sub> underflow and outputs 8000 <sub>H</sub> .			... from E5D4 <sub>H</sub> underflow and outputs 8000 <sub>H</sub> .			... from FB70 <sub>H</sub> underflow and outputs 8000 <sub>H</sub> .			

## Representation of the analog values of thermocouples type L

Table 5-29 Representation of the analog values of thermocouples type L

Type L in °C	Units		Type L in °F	Units		Type L in K	Units		Range
	dec	hex		dec	hex		dec	hex	
> 1150.0	32767	7FFF <sub>H</sub>	> 2102.0	32767	7FFF <sub>H</sub>	> 1423.2	32767	7FFF <sub>H</sub>	Overflow
1150.0 : 900.1	11500 : 9001	2CEC <sub>H</sub> : 2329 <sub>H</sub>	2102.0 : 1652.2	21020 : 16522	521C <sub>H</sub> : 408A <sub>H</sub>	1423.2 : 1173.3	14232 : 11733	3798 <sub>H</sub> : 2DD5 <sub>H</sub>	Overshoot range
900.0 : -200.0	9000 : -2000	2328 <sub>H</sub> : F830 <sub>H</sub>	1652.0 : -328.0	16520 : -3280	4088 <sub>H</sub> : F330 <sub>H</sub>	1173.2 : 73.2	11732 : 732	2DD4 <sub>H</sub> : 02DC <sub>H</sub>	Rated range
< -200.0	< -2000	< F830 <sub>H</sub>	< -328.0	< -3280	< F330 <sub>H</sub>	< 73.2	< 732	< 02DC <sub>H</sub>	Underflow
Faulty wiring (polarity reversal, or open inputs, for example), or sensor error in the negative range (wrong type of thermocouple, for example) will cause the analog input module to signal underflow, starting at ...									
... from F380 <sub>H</sub> underflow and outputs 8000 <sub>H</sub> .			... from EAC0 <sub>H</sub> underflow and outputs 8000 <sub>H</sub> .			... from FE2C <sub>H</sub> underflow and outputs 8000 <sub>H</sub> .			

## Representation of the analog values of thermocouples type N

Table 5-30 Representation of the analog values of thermocouples type N

Type N in °C	Units		Type N in °F	Units		Type N in K	Units		Range
	dec	hex		dec	hex		dec	hex	
> 1550.0	32767	7FFF <sub>H</sub>	> 2822.0	32767	7FFF <sub>H</sub>	> 1823.2	32767	7FFF <sub>H</sub>	Overflow
1550.0 : 1300.1	15500 : 13001	3C8C <sub>H</sub> : 32C9 <sub>H</sub>	2822.0 : 2372.2	28220 : 23722	6E3C <sub>H</sub> : 5CAA <sub>H</sub>	1823.2 : 1573.3	18232 : 15733	4738 <sub>H</sub> : 3D75 <sub>H</sub>	Overshoot range
1300.0 : -270.0	13000 : -2700	32C8 <sub>H</sub> : F574 <sub>H</sub>	2372.0 : -454.0	23720 : -4540	5CA8 <sub>H</sub> : EE44 <sub>H</sub>	1573.2 : 0	15732 : 0	3D74 <sub>H</sub> : 0000 <sub>H</sub>	Rated range
< -270.0	< -2700	< F574 <sub>H</sub>	< -454.0	< -4540	< EE44 <sub>H</sub>	< 0	< 0	< 0000 <sub>H</sub>	Underflow
Faulty wiring (polarity reversal, or open inputs, for example), or sensor error in the negative range (wrong type of thermocouple, for example) will cause the analog input module to signal underflow, starting at ...									
... from F0C4 <sub>H</sub> underflow and outputs 8000 <sub>H</sub> .			... from E5D4 <sub>H</sub> underflow and outputs 8000 <sub>H</sub> .			... from FB70 <sub>H</sub> underflow and outputs 8000 <sub>H</sub> .			

## Representation of the analog values of thermocouples type R, S

Table 5-31 Representation of the analog values of thermocouples type R, S

Type R, S in °C	Units		Type R, S in °F	Units		Types R, S in K	Units		Range
	dec	hex		dec	hex		dec	hex	
> 2019.0	32767	7FFF <sub>H</sub>	> 3276.6	32767	7FFF <sub>H</sub>	> 2292.2	32767	7FFF <sub>H</sub>	Overflow
2019.0 : 1769.1	20190 : 17691	4EDE <sub>H</sub> : 451B <sub>H</sub>	3276.6 : 3216.4	32766 : 32164	7FFE <sub>H</sub> : 7DA4 <sub>H</sub>	2292.2 : 2042.3	22922 : 20423	598A <sub>H</sub> : 4FC7 <sub>H</sub>	Overshoot range

## 5.1 Representation of the values for analog input channels

Type R, S in °C	Units		Type R, S in °F	Units		Types R, S in K	Units		Range
	dec	hex		dec	hex		dec	hex	
1769.0 : -50.0	17690 : -500	451A <sub>H</sub> : FE0C <sub>H</sub>	3216.2 : -58.0	32162 : -580	7DA2 <sub>H</sub> : FD8C <sub>H</sub>	2042.2 : 223.2	20422 : 2232	4FC6 <sub>H</sub> : 08B8 <sub>H</sub>	Rated range
-50.1 : -170.0	-501 : -1700	FE0B <sub>H</sub> : F95C <sub>H</sub>	-58.2 : -274.0	-582 : -2740	FDBA <sub>H</sub> : F54C <sub>H</sub>	223.1 : 103.2	2231 : 1032	08B7 <sub>H</sub> : 0408 <sub>H</sub>	
< -170.0	-32768	8000 <sub>H</sub>	< -274.0	-32768	8000 <sub>H</sub>	< 103.2	< 1032	8000 <sub>H</sub>	Underflow

## Representation of the analog values of thermocouples type T

Table 5-32 Representation of the analog values of thermocouples type T

Type T in °C	Units		Type T in °F	Units		Type T in K	Units		Range
	dec	hex		dec	hex		dec	hex	
> 540.0	32767	7FFF <sub>H</sub>	> 1004.0	32767	7FFF <sub>H</sub>	> 813.2	32767	7FFF <sub>H</sub>	Overflow
540.0 : 400.1	5400 : 4001	1518 <sub>H</sub> : 0FA1 <sub>H</sub>	1004.0 : 752.2	10040 : 7522	2738 <sub>H</sub> : 1D62 <sub>H</sub>	813.2 : 673.3	8132 : 6733	1FC4 <sub>H</sub> : 1AAD <sub>H</sub>	Overshoot range
400.0 : -270.0	4000 : -2700	0FA0 <sub>H</sub> : F574 <sub>H</sub>	752.0 : -454.0	7520 : -4540	1D60 <sub>H</sub> : EE44 <sub>H</sub>	673.2 : 3.2	6732 : 32	1AAC <sub>H</sub> : 0020 <sub>H</sub>	
< -270.0	< -2700	< F574 <sub>H</sub>	< -454.0	< -4540	< EE44 <sub>H</sub>	< 3.2	< 32	< 0020 <sub>H</sub>	Underflow
Faulty wiring (polarity reversal, or open inputs, for example), or sensor error in the negative range (wrong type of thermocouple, for example) will cause the analog input module to signal underflow, starting at ...									
... from FOC4 <sub>H</sub> underflow and outputs 8000 <sub>H</sub> .			... from E5D4 <sub>H</sub> underflow and outputs 8000 <sub>H</sub> .			... from FB70 <sub>H</sub> underflow and outputs 8000 <sub>H</sub> .			

## Representation of the analog values of thermocouples type U

Table 5-33 Representation of the analog values of thermocouples type U

Type U in °C	Units		Type U in °F	Units		Type U in K	Units		Range
	dec	hex		dec	hex		dec	hex	
> 850.0	32767	7FFF <sub>H</sub>	> 1562.0	32767	7FFF <sub>H</sub>	> 1123.2	32767	7FFF <sub>H</sub>	Overflow
850.0 : 600.1	8500 : 6001	2134 <sub>H</sub> : 1771 <sub>H</sub>	1562.0 : 1112.2	15620 : 11122	2738.0 <sub>H</sub> : 2B72 <sub>H</sub>	1123.2 : 873.2	11232 : 8732	2BE0 <sub>H</sub> : 221C <sub>H</sub>	Overshoot range
600.0 : -200.0	6000 : -2000	1770 <sub>H</sub> : F830 <sub>H</sub>	1112.0 : -328.0	11120 : -3280	2B70 <sub>H</sub> : F330 <sub>H</sub>	873.2 : 73.2	8732 : 732	221C <sub>H</sub> : 02DC <sub>H</sub>	
< -200.0	< -2000	< F830 <sub>H</sub>	< -328.0	< -3280	< F330 <sub>H</sub>	< 73.2	< 732	< 02DC <sub>H</sub>	Underflow
Faulty wiring (polarity reversal, or open inputs, for example), or sensor error in the negative range (wrong type of thermocouple, for example) will cause the analog input module to signal underflow, starting at ...									
... from F380 <sub>H</sub> underflow and outputs 8000 <sub>H</sub> .			... from EAC0 <sub>H</sub> underflow and outputs 8000 <sub>H</sub> .			... from FE2C <sub>H</sub> underflow and outputs 8000 <sub>H</sub> .			

## Representation of analog values for type TXK/XKL GOST thermocouple

Table 5-34 Representation of analog values for type TXK/XKL GOST thermocouple

Type TXK/XKL in °C	Units		Type TXK/XKL in °F	Units		Range
	dec	hex		dec	hex	
> 1050.0	32767	7FFF <sub>H</sub>	> 1922.0	32767	7FFF <sub>H</sub>	Overflow
1050.0 : 800.1	8500 : 8001	2904 <sub>H</sub> : 1F41 <sub>H</sub>	1922.0 : 1472.1	19220 : 14721	4B14 <sub>H</sub> : 3981 <sub>H</sub>	Overshoot range
800.0 : 0.0 : -200.0	8000 : 0 : -2000	1F40 <sub>H</sub> : 0000 <sub>H</sub> : F830 <sub>H</sub>	1472.0 : 32.0 : -328.0	14720 : 320 : -3280	3980 <sub>H</sub> : 0140 <sub>H</sub> : F330 <sub>H</sub>	Rated range
< -200.0	<-32768	< F8000 <sub>H</sub>	< -328.0	<-32768	8000 <sub>H</sub>	Underflow

## 5.2 Representation of analog values for analog output channels

### Binary representation of output ranges

Table 5-35 Bipolar output ranges

		2 <sup>15</sup>	2 <sup>14</sup>	2 <sup>13</sup>	2 <sup>12</sup>	2 <sup>11</sup>	2 <sup>10</sup>	2 <sup>9</sup>	2 <sup>8</sup>	2 <sup>7</sup>	2 <sup>6</sup>	2 <sup>5</sup>	2 <sup>4</sup>	2 <sup>3</sup>	2 <sup>2</sup>	2 <sup>1</sup>	2 <sup>0</sup>	
≥32512	0 %	0	1	1	1	1	1	1	1	x	x	x	x	x	x	x	x	Overflow
32511	117,589	0	1	1	1	1	1	1	0	1	1	1	1	1	1	1	1	Overshoot range
27649	≥100,004	0	1	1	0	1	1	0	0	0	0	0	0	0	0	0	1	
27648	100,000	0	1	1	0	1	1	0	0	0	0	0	0	0	0	0	0	Rated range
1	0,003617	0	0	0	0	0	0	0	0	0	0	0	0	0	0	0	1	
0	0,000	0	0	0	0	0	0	0	0	0	0	0	0	0	0	0	0	
-1	-0,003617	1	1	1	1	1	1	1	1	1	1	1	1	1	1	1	1	
-27648	-100,000	1	0	0	1	0	1	0	0	0	0	0	0	0	0	0	0	Undershoot range
-27649	≤100,004	1	0	0	1	0	0	1	1	1	1	1	1	1	1	1	1	
-32512	-117,593	1	0	0	0	0	0	0	1	0	0	0	0	0	0	0	0	Underflow
≤-32513	0 %	1	0	0	0	0	0	0	0	x	x	x	x	x	x	x	x	

Table 5-36 Unipolar output ranges

Units	Output value in %	Data word																Range
		2 <sup>15</sup>	2 <sup>14</sup>	2 <sup>13</sup>	2 <sup>12</sup>	2 <sup>11</sup>	2 <sup>10</sup>	2 <sup>9</sup>	2 <sup>8</sup>	2 <sup>7</sup>	2 <sup>6</sup>	2 <sup>5</sup>	2 <sup>4</sup>	2 <sup>3</sup>	2 <sup>2</sup>	2 <sup>1</sup>	2 <sup>0</sup>	
≥32512	0 %	0	1	1	1	1	1	1	1	1	x	x	x	x	x	x	x	Overflow
32511	117,589	0	1	1	1	1	1	1	0	1	1	1	1	1	1	1	1	Overshoot range
27649	≥100,004	0	1	1	0	1	1	0	0	0	0	0	0	0	0	0	1	
27648	100,000	0	1	1	0	1	1	0	0	0	0	0	0	0	0	0	0	Rated range
1	0,003617	0	0	0	0	0	0	0	0	0	0	0	0	0	0	0	1	
0	0,000	0	0	0	0	0	0	0	0	0	0	0	0	0	0	0	0	

-1	0,000	1	1	1	1	1	1	1	1	1	1	1	1	1	1	1	1	1	limited to the low limit of the rated range, 0 V or 0 mA
-32512		1	0	0	0	0	0	0	0	1	0	0	0	0	0	0	0	0	
≤-32513	0 %	1	0	0	0	0	0	0	0	0	x	x	x	x	x	x	x	x	Underflow

### Representation of analog values in the voltage output ranges

Table 5-37 Representation of analog values in the ±10 V output range

System			Voltage output range	
	dec	hex	±10 V	
118,5149 %	32767	7FFF	0.00 V	Overflow, off power
	32512	7F00		
117,589 %	32511	7EFF	11.76 V	Overshoot range
	27649	6C01		
100 %	27648	6C00	10 V	Rated range
75 %	20736	5100	7.5 V	
0,003617 %	1	1	361.7 μV	
0 %	0	0	0 V	
	-1	FFFF	-361.7 μV	
-75 %	-20736	AF00	-7.5 V	
-100 %	-27648	9400	-10 V	Undershoot range
	-27649	93FF		
-117,593 %	-32512	8100	-11.76 V	
	-32513	80FF		Underflow, at zero voltage and current
-118,519 %	-32768	8000	0.00 V	

Table 5-38 Representation of analog values in the 0 V to 10 V and 1 V to 5 V output ranges

System			Voltage output range		
	dec	hex	0 V to 10 V	1 V to 5 V	
118,5149 %	32767	7FFF	0.00 V	0.00 V	Overflow, off power
	32512	7F00			
117,589 %	32511	7EFF	11.76 V	5.70 V	Overshoot range
	27649	6C01			
100 %	27648	6C00	10 V	5 V	Rated range
75 %	20736	5100	7.5 V	3.75 V	
0,003617 %	1	1	361.7 μV	1 V +144.7 μV	
0 %	0	0	0 V	1 V	
	-1	FFFF			
-25 %	-6912	E500		0 V	
					Undershoot range

System			Voltage output range		
	-6913	E4FF			Not supported. Output value limited to 0 V.
-117,593 %	-32512	8100			
	-32513	80FF			Underflow, at zero voltage and current
-118,519 %	-32768	8000	0.00 V	0.00 V	

### Representation of analog values in the current output ranges

Table 5-39 Representation of analog values in the  $\pm 20$  mA output range

System			Current output range	
	dec	hex	$\pm 20$ mA	
118,5149 %	32767	7FFF	0.00 mA	Overflow, off power
	32512	7F00		
117,589 %	32511	7EFF	23.52 mA	Overshoot range
	27649	6C01		
100 %	27648	6C00	20 mA	Rated range
75 %	20736	5100	15 mA	
0,003617 %	1	1	723.4 nA	
0 %	0	0	0 mA	
	-1	FFFF	-723.4 nA	
-75 %	-20736	AF00	-15 mA	
-100 %	-27648	9400	-20 mA	Undershoot range
	-27649	93FF		
-117,593 %	-32512	8100	-23.52 mA	
	-32513	80FF		Underflow, at zero voltage and current
-118,519 %	-32768	8000	0.00 mA	

Table 5-40 Representation of analog values in the 0 mA to 20 mA and 4 mA to 20 mA output ranges

System			Current output range		
	dec	hex	0 mA to 20 mA	4 mA to 20 mA	
118,5149 %	32767	7FFF	0.00 mA	0.00 mA	Overflow, off power
	32512	7F00			
117,589 %	32511	7EFF	23.52 mA	22.81 mA	Overshoot range
	27649	6C01			
100 %	27648	6C00	20 mA	20 mA	Rated range
75 %	20736	5100	15 mA	16 mA	
0,003617 %	1	1	723.4 nA	4 mA + 578.7 nA	
0 %	0	0	0 mA	4 mA	
	-1	FFFF			
-25 %	-6912	E500		0 mA	Undershoot range

System			Current output range		
	-6913	E4FF			Not supported. Output value limited to 0 mA.
-117,593 %	-32512	8100			
	-32513	80FF			Underflow, at zero voltage and current
-118,519 %	-32768	8000	0.00 mA	0.00 mA	

## 5.3 Setting the measuring method and ranges of analog input channels

### Two procedures

There are two methods of setting the measuring method and ranges of analog input channels at analog modules:

- using a measuring range module and *STEP 7*
- hardwiring of the analog input channel and *STEP 7*

The method to use for the various analog modules is module-specific and is described in detail in the special module chapters.

This section describes how to set up the type and range of measurement using measuring range modules.

### Setting the measurement type and ranges using measuring range modules

The analog modules are supplied with corresponding measuring range modules as required. You may have to change the position of the measuring range module to suit the measurement type and range.

---

#### NOTE

Note that the measuring range modules are installed on the side of the analog input module. Always check whether the measuring range modules needs to be set up for a different measurement type and range **before** you install the analog input module.

---

### Optional settings of the measuring range modules

Optional settings of the measuring range modules: "A", "B", "C" and "D".

For detailed information on settings to be made for a specific measurement type and range, refer to the special module chapter.

The settings for the different measurement types and ranges are also printed onto the analog module.



### Changing the positioning of measuring range modules

To insert the measuring range module into a different slot:

1. Remove the measuring range module from the slot of the analog input module by lifting it out with a screwdriver.

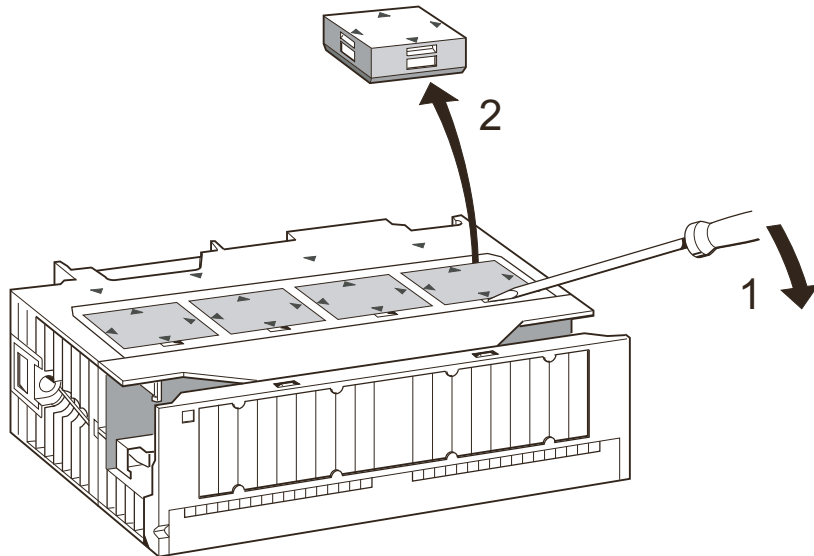


Figure 5-1 Removing the measuring range module from a slot of the analog input module

2. Insert the measuring range module into the required slot (1) of the analog input module. The indicator of the selected measuring range must be in line with the marker on the module (2).

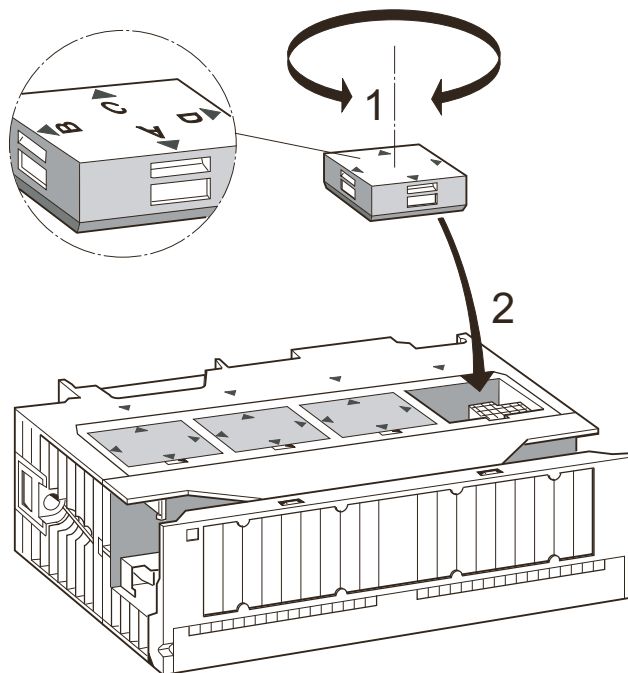


Figure 5-2 Inserting the measuring range module into the analog input module

Proceed likewise with any other measuring range modules.

You can now install the module.

<p><b>⚠ CAUTION</b></p> <p>Incorrect settings of the measuring range modules may lead to the destruction of the module.</p> <p>Always make sure that the measuring range module is in the correct position before you connect a sensor to the module.</p>
---

## 5.4 Response of the analog modules

### This chapter

This chapter describes:

- the dependency of analog input and output values on CPU operating states and on the supply voltage of the analog module
- the reaction of analog modules, based on the actual analog value within the relevant range of values
- the influence of the operational limits of analog modules on analog IO values, as illustrated by an example

### 5.4.1 Influence of the power supply and operating state

#### Introduction

This chapter describes:

- the dependency of analog IO values on CPU operating states, and on the supply voltage of the analog module
- the reaction of analog modules, based on the actual analog value within the relevant range of values
- the influence of the operational limits of analog modules on analog IO values, as illustrated by an example

#### Influence of the supply voltage and operating state on the modules

The IO values of analog modules are determined by the CPU operating state and the module's supply voltage.

Table 5-41 Dependencies of the analog IO values on the CPU's operating State and on the L+ supply voltage

CPU operating state		Supply voltage L+ at the analog module	Input value of the analog input module	Output value of the analog output module
POWER ON	RUN	L+ present	Measured value	CPU values
			7FFF <sub>H</sub> , until the first conversion after POWER ON is completed, or when the module has been programmed.	Until the first conversion... <ul style="list-style-type: none"> <li>• after POWER ON, the module outputs a 0 mA or 0 V signal.</li> <li>• after programming is successfully completed, it outputs the previous value.</li> </ul>

CPU operating state		Supply voltage L+ at the analog module	Input value of the analog input module	Output value of the analog output module
POWER ON	RUN	L+ missing	Overflow value	0 mA / 0 V
POWER ON	STOP	L+ present	Measured value 7FFF <sub>H</sub> , until the first conversion after POWER ON is completed, or when the module has been programmed.	Substitution value / last value (default: 0 mA / 0 V)
		L+ missing	Overflow value	
POWER OFF	-	L+ present	-	0 mA / 0 V
		L+ missing	-	0 mA / 0 V

### Reaction to power failure

Power failure at analog modules is always indicated by their relevant SF LED. This information is also available on the module (in diagnostics buffer data.)

Diagnostics interrupt triggering is based on parameter settings.

### See also

[Programming analog modules \(Page 244\)](#)

## 5.4.2 Influence of the range of analog values

### influence of errors on analog modules with diagnostics functions

Errors may lead to an entry in the diagnostics buffer and trigger a diagnostics interrupt at analog modules with diagnostics function and corresponding parameter settings.

### Influence of the range of values on the analog input module

The reaction of analog modules is determined by the actual input values within the range of values.

Table 5-42 Reaction of analog input modules as a function of the actual analog value within the range of values

Measured value within	Input value	SF LED	Diagnostics	Interrupt
Rated range	Measured value	-	-	-
Overshoot/undershoot range	Measured value	-	-	-
Overflow	7FFF <sub>H</sub>	lit <sup>1</sup>	Entry is made <sup>1</sup>	Diagnostics interrupt <sup>1</sup>
Underflow	8000 <sub>H</sub>	lit <sup>1</sup>	Entry is made <sup>1</sup>	Diagnostics interrupt <sup>1</sup>
beyond programmed limit	Measured value	-	-	Process interrupt <sup>1</sup>

<sup>1)</sup>, only supported by modules with diagnostics function, and depending on parameter settings

### Influence of the range of values on the analog output module

The reaction of analog modules is determined by the actual output values within the value range.

Table 5-43 Reaction of analog output modules as a function of the actual analog value within the range of values

Output value within	Output value	SF LED	Diagnostics	Interrupt
Rated range	CPU value	-	-	-
Overshoot/undershoot range	CPU value	-	-	-
Overflow	0 signal	-	-	-
Underflow	0 signal	-	-	-

### 5.4.3 Influence of operational limits and basic error limits

#### Operational limit

The operational limit represents the total measuring/output error of an analog module within the permissible temperature range, based on the module's rating.

#### Basic error limit

The basic error limit represents the total measuring/output error at 25 °C, based on the module's rating.

#### NOTE

The percentile values of operational and basic error limits in the module's technical data always refer to the **highest possible** input and output value within the nominal range of the module.

#### Example of the determination of the output error of a module

An analog output module SM 332; AO 4 x 12 Bit is being used for voltage output. An output range of "0 to 10 V" is set. The module is operating at an ambient temperature of 30 °C, i.e. the operational limit applies. The technical data of the module state:

- Operational limit for voltage output:  $\pm 0,5 \%$

Hence, an output error of  $\pm 0.05 \text{ V}$  ( $\pm 0.5 \%$  of 10 V) across the nominal range of the module must be expected.

At an actual voltage of 1 V, for example, the module will then output a value in the range from 0.95 V to 1.05 V. The relative error is  $\pm 5 \%$  in this case.

For the example, the figure below shows how the relative error decreases as the output value approaches the end of the 10-V range.

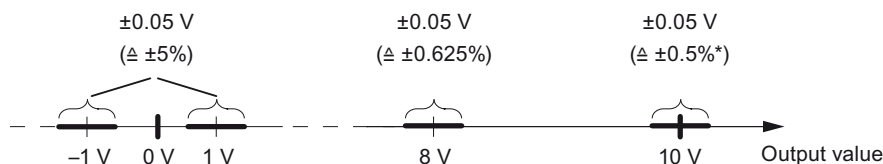


Figure 5-3 Example of the relative error of an analog output module

## 5.5 Conversion and cycle times of analog modules

### Conversion time of analog input channels

The conversion time is the total of the basic conversion time plus additional processing times of the module for:

- Resistance measurement
- Wirebreak monitoring

The basic conversion time depends directly on the conversion method of the analog input channel (integrating method, actual value conversion.)

The integration time of integrating conversions has a direct influence on conversion times. The integration time depends on the interference frequency suppression you set in *STEP 7*. For information on basic conversion times and additional processing times of the various analog modules, refer to the technical data of the relevant module.

### Cycle time of analog input channels

Analog-to-digital conversion, and the transfer of digitized measured values to memory and/or to the backplane bus, are carried out sequentially, i.e. the analog input channels are converted in successive order. The cycle time, i.e. the time expiring until an analog input value is converted again, represents the accumulated conversion time of all activated analog input channels of the analog input module.

The figure below provides an overview of the cycle time elements for an n-channel analog module.

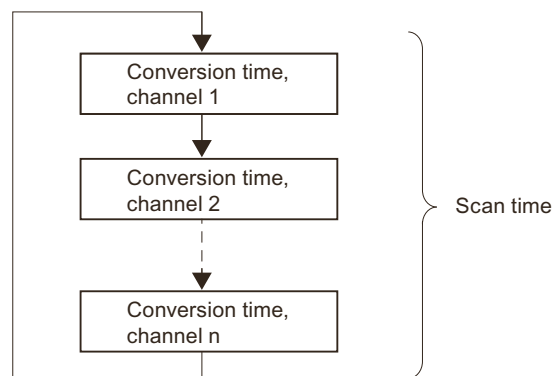


Figure 5-4 Cycle time of an analog input or output module

### Conversion and cycle times for analog input channels in channel groups

Make allowances for the accumulated channel conversion time when the analog input channels are joined to form channel groups.

#### Example

Two analog input channels of the SM 331; AI 2 x 12 Bit analog input module form a channel group. You must therefore grade the cycle time in steps of 2.

### Setting smoothing of analog values

Certain analog input modules allow you to set smoothing of analog values in *STEP 7*.

### Using smoothing

Smoothed analog values provide a reliable analog signal for further processing. It is useful to smooth the analog values with slow variations of measured values, for example, when measuring temperature.

### Smoothing principle

The measured values are smoothed by digital filtering. Smoothing is accomplished by the module calculating mean values, derived from a defined number of converted (digitized) analog values.

The user configures up to four grades of smoothing (none, low, average, high). The grade determines the number of analog signals used for averaging.

A higher smoothing provides a more reliable analog value, and prolongs the time it takes to apply a smoothed analog signal following a step response (see the example below.)

### Examples

The figures below show the number of cycles a module requires to apply a close to 100% smoothed analog value after a step response, based on the smoothing function settings. The figure applies to all signal changes at the analog input.

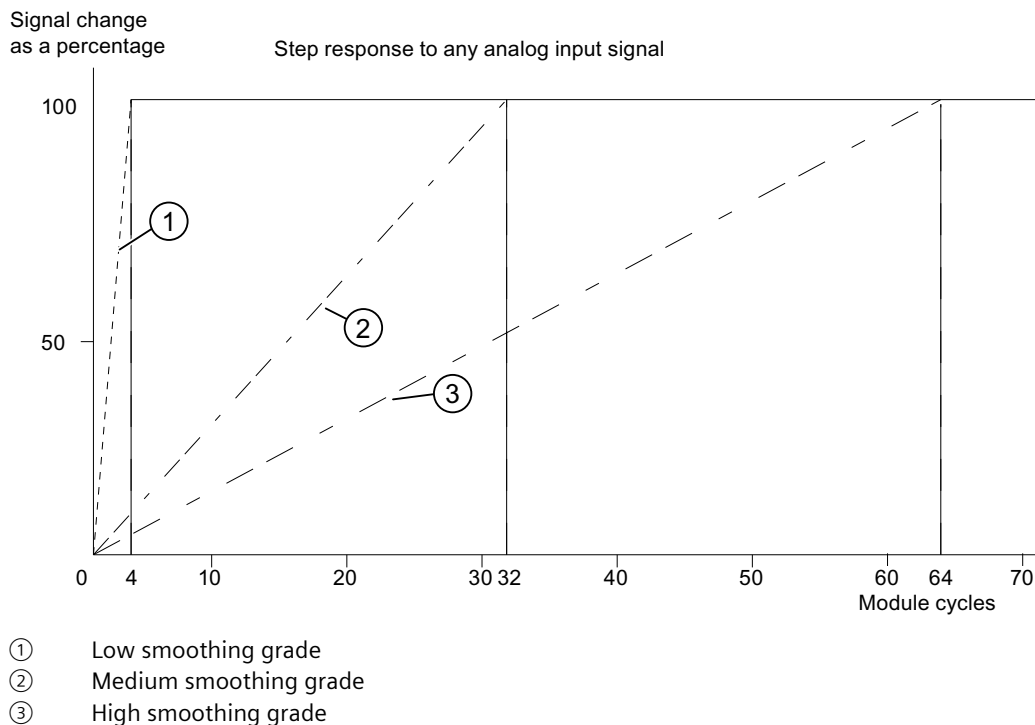


Figure 5-5 Example of impact of smoothing on the jump response with the AI 8 x 14 bit

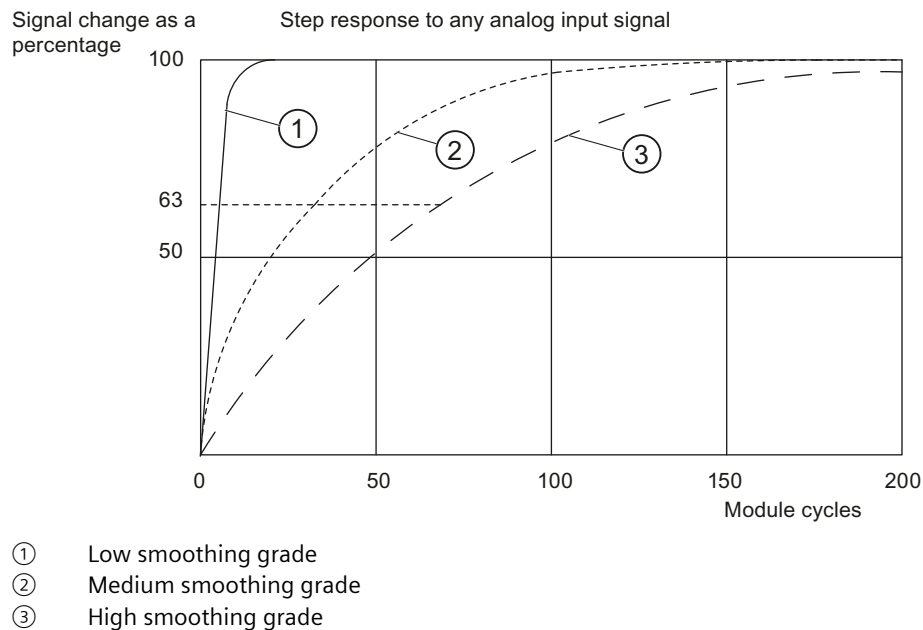


Figure 5-6 Example of impact of smoothing on the step response with the AI 6 x TC

### Further information on smoothing

For information showing whether a specific module supports smoothing functions, and special features to observe, refer to the chapter dealing with the analog input module.

### Conversion time of the analog output channels

The conversion time of the analog output channels includes the transfer of digitized output values from internal memory, and their digital-to-analog conversion.

### Cycle time of analog output channels

Analog output channels are converted sequentially, i.e. successively.

The cycle time, i.e. the time expiring until an analog output value is converted again, is equivalent to the accumulated conversion times of all activated analog output channels. Refer to the figure *Cycle time of an analog IO channel*.

### Tip

You should disable all unused analog channels in **STEP 7** in order to reduce cycle times.

## 5.6 Settling and response times of analog output channels

### Settling time

The settling time ( $t_2$  to  $t_3$ ), i.e. the time expiring until a converted value has gained a specified level at an analog output, is load-dependent. We therefore distinguish between resistive, capacitive and inductive load.

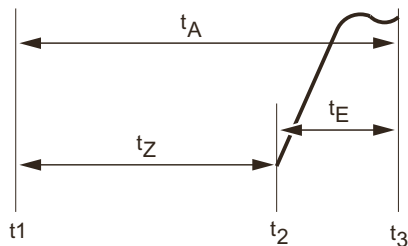
For information on settling times as a function of load at the various analog output modules, refer to the technical data of the relevant module.

## Response time

The worst case response time ( $t_1$  to  $t_3$ ), i.e. the time expiring between the input of digital output values to internal memory, and the signal settling time at the analog output, may be equivalent to the total of cycle time plus settling time.

The worst case scenario is given, when the analog channel has been converted immediately before a new output value is transferred, and is not converted again until all other channels have been converted (cycle time.)

## Overview of the settling time and response time of analog output modules



$t_A$	Response time
$t_C$	$t_C = \text{Cycle time, equivalent to } n \times \text{conversion time (} n = \text{active channels)}$
$t_S$	Settling time
$t_1$	new digital output value is set
$t_2$	Output value is applied and converted
$t_3$	specified output value is reached

## 5.7 Programming analog modules

### Introduction

The properties of analog modules may differ. The module properties can be programmed.

### Programming tools

You program analog modules in *STEP 7*. Always program the module while the CPU is in STOP mode.

After you defined all parameters, download these from your PG to the CPU. The CPU transfers the parameters to the relevant analog modules at the STOP → RUN transition.

Also, position the measuring range modules of the module as required.

### Static and dynamic parameters

Parameters are organized by static and dynamic properties.

Set the static parameters while the CPU is in STOP, as described earlier.



You can also modify dynamic parameters in the active user program using SFCs. However, the parameters set in *STEP 7* will be applied again after a RUN → STOP, STOP → RUN transition of the CPU.

Parameters	configurable using	CPU operating state
static	PG (STEP 7 HW CONFIG)	STOP
dynamic	PG (STEP 7 HW CONFIG)	STOP
	SFC 55 in the user program	RUN

## See also

[Programmable parameters \(Page 290\)](#)

### 5.7.1 Parameters of analog input modules

#### Parameters of analog input modules

For information on parameters supported by specific analog modules, refer to the chapter dealing with the relevant module.

The defaults apply if you have not set any parameters in **STEP 7**.

## 5.8 Diagnostics of analog modules

### Programmable and non-programmable diagnostic messages

We distinguish between programmable and non-programmable diagnostic messages.

You only obtain programmable diagnostic messages if you have enabled diagnostics at the relevant parameters. Program these functions in the "Diagnostics" parameter block in *STEP 7*. The analog module always provides non-programmable diagnostic messages, irrespective of the enable state of diagnostic functions.

### Reactions to a diagnostic message in *STEP 7*

Actions initiated by diagnostic messages:

- The diagnostic message is written to the diagnostics buffer of the analog module, and is then passed to the CPU.
- The error LED on the analog module is lit.
- When "Enable Diagnostics Interrupt" is set in *STEP 7*, the system triggers a diagnostic interrupt and calls OB82.

### Reading diagnostic messages

You can read detailed diagnostic messages in the user program using SFCs.

### Viewing the cause of error

You can view the cause of the error in the module diagnostics data in *STEP 7* (refer to the *STEP 7* Online Help.)

### Diagnostic message included in the measured value of analog input modules

All analog input modules return the measured value 7FFF<sub>H</sub> as a reaction to errors, irrespective of parameter settings. This measured value indicates either overflow, error, or a disabled channel.

### Diagnostic message using the SF LED

Diagnostics-capable analog modules indicate errors by means of their SF LED (group error LED). The SF LED lights up when the analog module has generated a diagnostic message. It goes dark after all error states are cleared.

#### See also

[Programming analog modules \(Page 244\)](#)

## 5.8.1 Diagnostics messages of analog input modules

### Overview of the diagnostics messages of analog input modules

The table below provides an overview of the diagnostics messages of analog input modules.

Table 5-44 Diagnostics messages of analog input modules

Diagnosics message	LED	Scope of diagnostics	programmable
External load voltage missing	SF	Module	no
Configuration / programming error	SF	Channel	yes
Common-mode error	SF	Channel	yes
Wirebreak	SF	Channel	yes
Underflow	SF	Channel	yes
Overflow	SF	Channel	yes

## 5.8.2 Diagnostic messages of analog output modules

### Overview of the diagnostic messages of analog output modules

The table below provides an overview of the diagnostic messages of analog output modules.

Table 5-45 Diagnostic messages of analog output modules

Diagnostic message	LED	Scope of diagnostics	programmable
External load voltage missing	SF	Module	no
Configuration / programming error	SF	Channel	yes
Short-circuit to M*	SF	Channel	yes
Wire-break*	SF	Channel	yes

\* Not with the SM 332, AO 4 x 16 bit, isochrone

#### NOTE

The detection of errors which are indicated in programmable diagnostic messages requires appropriate configuration of the analog module in *STEP 7*.

### 5.8.3 Causes of error and troubleshooting at analog input modules

#### Overview of the causes of error and troubleshooting at analog input modules

Table 5-46 Diagnostics messages of analog input modules, causes of error and troubleshooting

Diagnostics message	Possible cause of error	To correct or avoid errors
External load voltage missing	Load voltage L+ of module missing	Connect supply L+
Configuration / programming error	Faulty parameters transferred to module	Check the measuring range module
		Program the module
Common-mode error	Potential difference $C_{MV}$ between inputs M- and the reference potential of measuring circuit ( $M_{ANA}$ out of limits)	Connect M- with $M_{ANA}$
Wirebreak	Resistance of transducer circuit too high	Use a different type of sensor, or modify the wiring, for example, using a larger conductor cross-section.
	Open circuit between module and sensor	Connect the cable
	Channel not connected (open)	Disable the channel group ("measuring method" parameter)
Wire the channel		
Underflow	Input value below undershoot range; possible cause of error: wrong measuring range setting	program a different measuring range
	polarity reversal of the sensor wiring in the measuring ranges 4 to 20 mA and 1 to 5 V	Check the connections
Overflow	Input value exceeds overshoot range	program a different measuring range

### 5.8.4 Causes of error and troubleshooting at analog output modules

#### Overview of the causes of error and troubleshooting routines at analog output modules

Table 5-47 Diagnostics messages of analog output modules, causes of error and troubleshooting

Diagnostics message	Possible cause of error	To correct or avoid errors
External load voltage missing	Load voltage L+ of module missing	Connect supply L+
Configuration / programming error	Faulty parameters transferred to module	Assign new module parameters
Short-circuit to M	Overload at output	Eliminate overload
	Short-circuit at output $Q_V$ to $M_{ANA}$	Eliminate the short-circuit
Wirebreak	Actuator impedance too high	Use a different type of actuator, or modify the wiring using cables with a larger conductor cross-section
	Wire-break between the module and actuator	Connect the cable
	Channel not used (open)	Disable the channel group ("output type" parameter)

## 5.9 Interrupts of analog modules

### Introduction

This section describes the interrupt response of analog modules. Always distinguish between the following interrupts:

- Diagnostic interrupt
- Hardware interrupt

Note that certain analog modules do not support interrupts, or are only partially capable of "handling" the interrupts described below. For information on modules which support interrupt functionality, refer to their technical data.

### Description of the *STEP 7* blocks

For detailed information on the OBs and SFCs mentioned below, refer to the *STEP 7* Online Help.

### Enabling interrupts

There are no default interrupt settings, that is, interrupts are disabled if not set accordingly. Program the interrupt enable parameter in *STEP 7*.

### Diagnostic interrupt

Incoming error events (initial occurrence) and outgoing error events (error is cleared) are reported by means of diagnostic interrupt, if this interrupt is enabled.

The CPU interrupts user program execution in order to process diagnostic interrupt OB82. You can call SFC51 or 59 in OB82 in the user program to view details of diagnostics data output by the module.

Diagnostics data remain consistent until the program exits OB82. The program acknowledges the diagnostic interrupt at the module when it exits OB82.

### Hardware interrupt with "high or low limit exceeded" trigger

Define a working range by setting a high and low limit. If the process signal (for example, the temperature) overshoots this working range, the module triggers a hardware interrupt, provided the interrupt is enabled.

The CPU interrupts user program execution in order to execute hardware interrupt OB40.

In the user program of OB 40, you can define the reaction of the automation system to the violation of limits.

The program acknowledges the diagnostic interrupt at the module when it exits OB40.

---

#### NOTE

Note: the system does not generate a hardware interrupt if your limit setting exceeds the overshoot or undershoot range.

---

### Structure of the start information variable OB40\_POINT\_ADDR of OB 40

The channel at which a specific limit is exceeded is logged to the OB40\_POINT\_ADDR variable in the start information of OB40. The diagram below shows the bit assignment of DWORD 8 in local data.

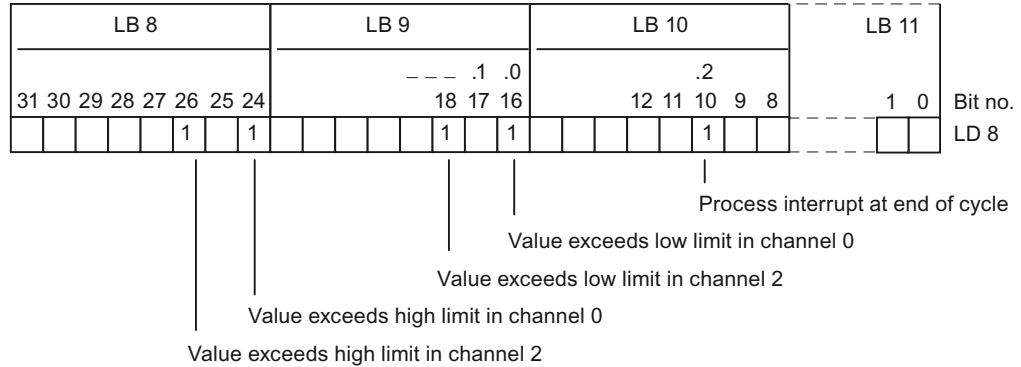


Figure 5-7 Start information of OB40: which limits event has triggered a hardware interrupt

### Hardware interrupt triggered by "End of cycle reached"

You can synchronize a process with the cycle of the analog input module by programming a hardware interrupt trigger at the end of the cycle.

One cycle comprises the conversion of the measured values of all active channels of the analog input module. The module processes the channels in successive order. After all measured values were successfully converted, the module outputs an interrupt to the CPU in order to report new measured values at its channels.

You can always use this interrupt to download the actual converted analog values.

# Analog modules

## Introduction

This chapter describes:

1. Analog module selection and commissioning sequence
2. Overview of essential module properties
3. Modules which are available (properties, connection and block diagrams, technical data and additional information on the module):
  - a) for analog input modules
  - b) for analog output modules
  - c) for analog IO modules

## STEP 7 blocks for analog functions

You can use FC105 "SCALE" (scale values) and FC106 "UNSCALE" (unscale values) blocks to read and output analog values in *STEP 7*. Those FCs are available in the *STEP 7* standard library, in the "TI-S7-Converting Blocks" subfolder.

## Description of STEP 7 blocks for analog functions

For information on FCs 105 and 106, refer to the *STEP 7* Online Help.

## Further information

You should be familiar with the structure of the parameter sets (data records 0, 1 and 128) in system data before you edit module parameters in the *STEP 7* user program.

You should be familiar with the structure of diagnostics data (data records 0, 1) in system data before you edit any diagnostics data of the module in the *STEP 7* user program.

## See also

[Principles of programming signal modules in the user program \(Page 433\)](#)

[Evaluating diagnostic data of signal modules in the user program \(Page 484\)](#)

## 6.1 Analog module selection and commissioning sequence

### Introduction

The table below contains the steps required to successfully complete commissioning of analog modules.

You do not strictly have to adhere to this suggested sequence, that is, you can complete other tasks such as installing or commissioning other modules, or program the module at an earlier or later time.

## Analog module selection and commissioning sequence

1. Selecting the module
2. For certain analog input modules: Set the measuring type and range using the measuring range module
3. Installing the module in the SIMATIC S7 system
4. Assigning module parameters
5. Connect the measuring transducers or loads to the module
6. Commission the configuration
7. Analyze the configuration if commissioning failed

## More information on installation and commissioning

See the "Installation" and "Commissioning" chapter in the Installation Manual for your automation system:

- S7-300 Automation System, Installation or
- S7-400 Automation System, Installation or
- Distributed I/O Device ET 200M

The documentation is available on the Internet  
(<http://support.automation.siemens.com/WW/view/en>).

## 6.2 Module overview

### Introduction

The tables below summarize the essential properties of the analog modules. This overview supports you in selecting a module to suit your requirements.

### 6.2.1 Analog input modules

#### Overview of properties

The table below shows essential properties of the analog input modules

Table 6-1 Analog input modules

Properties	Module				
	AI 8 x 16 BitSM 331; (-7NF00-)	AI 8 x 16 BitSM 331; (-7NF10-)	AI 8 x 14 Bit High SpeedSM 331; (-7HF0x-)	AI 8 x 13 BitSM 331; (-1KF02-)	AI 8 x 12 BitSM 331; (-7KF02-)
Number of inputs	8 inputs in 4 channel groups	8 inputs in 4 channel groups	8 inputs in 4 channel groups	8 inputs in 8 channel groups	8 inputs in 4 channel groups
Resolution	programmable for each channel group: <ul style="list-style-type: none"> <li>• 15 bits+sign</li> </ul>	programmable for each channel group: <ul style="list-style-type: none"> <li>• 15 bits+sign</li> </ul>	programmable for each channel group: <ul style="list-style-type: none"> <li>• 13 bits+sign</li> </ul>	programmable for each channel group: <ul style="list-style-type: none"> <li>• 12 bits+sign</li> </ul>	programmable for each channel group: <ul style="list-style-type: none"> <li>• 9 bits+sign</li> <li>• 12 bits+sign</li> <li>• 14 bits+sign</li> </ul>

6.2 Module overview

Properties	Module				
Measurement type	programmable for each channel group: • Voltage • Current	programmable for each channel group: • Voltage • Current	programmable for each channel group: • Voltage • Current	programmable per channel: • Voltage • Current • Resistance • Temperature	programmable for each channel group: • Voltage • Current • Resistance • Temperature
Measuring range selection	any, per channel group	any, per channel group	any, per channel group	any, per channel group	any, per channel group
Supports isochronous mode	no	no	yes	no	yes
Programmable diagnostics	yes	yes	yes	no	no
Diagnostic interrupt	programmable	programmable	programmable	no	programmable
Limit value monitoring	programmable for 2 channels	programmable for 8 channels	programmable for 2 channels	no	programmable for 2 channels
Hardware interrupt when limit exceeded	programmable	programmable	programmable	no	Programmable
Hardware interrupt at end of cycle	no	yes	no	No	no
Potential ratios	electrically isolated from: • The backplane bus interface	electrically isolated from: • The backplane bus interface	electrically isolated from: • The backplane bus interface • The load voltage (not for 2-DMU)	electrically isolated from: • The backplane bus interface	electrically isolated from: • the CPU • The load voltage (not for 2-DMU)
maximum potential difference between inputs (ICM)	50 V DC	60 V DC	11 V DC	2.0 V DC	≤ DC 2.3 V
Special features	-	-	-	Motor protection with PTC and silicone temperature sensors	-
Z sign 2-DMU = 2-wire transducer					

Table 6-2 Analog input modules (continued)

Properties	Module				
	AI 2 x 12 BitSM 331; (-7KB02-)	AI 6 x TCSM 331; (-7PE10-)	AI 8 x TCSM 331; (-7PF11-)	AI 8 x RTDSM 331; (-7PF01-)	SM 331; AI 8 x 0/4...20 mA HART (-7TF00-)*
Number of inputs	2 inputs in 1 channel group	6 inputs in 1 channel group	8 inputs in 4 channel groups	8 inputs in 4 channel groups	8 inputs in 1 channel group



Properties	Module				
Resolution	programmable for each channel group: • 9 bits+sign • 12 bits+sign • 14 bits+sign	Programmable for each channel group: • 15 bits+sign	Programmable for each channel group: • 15 bits+sign	Programmable for each channel group: • 15 bits+sign	programmable for each channel group: 15 bits+sign
Measurement type	programmable for each channel group: • Voltage • Current • Resistance • Temperature	Programmable for each channel group: • Voltage • Temperature	programmable for each channel group: • Temperature	programmable for each channel group: • Resistance • Temperature	Programmable for each channel group: • Current
Measuring range selection	any, per channel group	any, per channel group	any, per channel group	any, per channel group	any, per channel group
Supports isochronous mode	Yes	No	Yes	Yes	Yes
Programmable diagnostics	No	Yes	No	No	no
Diagnostic interrupt	programmable	Programmable	Programmable	Programmable	Programmable
Limit value monitoring	programmable for 1 channel	Programmable for 6 channels	programmable for 8 channels	programmable for 8 channels	programmable for 8 channels
Hardware interrupt when limit exceeded	Programmable	Programmable	Programmable	Programmable	programmable
Hardware interrupt at end of cycle	no	No	Programmable	Programmable	No
Potential ratios	electrically isolated from: • the CPU • The load voltage (not for 2-DMU)	electrically isolated from: • the CPU	electrically isolated from: • of the CPU	electrically isolated from: • the CPU	electrically isolated from: • the CPU • The load voltage (not for 2-DMU)
maximum potential difference between inputs (ICM)	≤ DC 2.3 V	250 V AC	-	-	-
Special features	-	Calibration	-	-	-
Z sign 2-DMU = 2-wire transducer					

\* This module is described in the Distributed I/O Device ET 200M HART Analog Modules manual. You can find the manual on the Internet (<http://support.automation.siemens.com/WW/view/en/22063748>).

## 6.2.2 Analog output modules

### Overview of properties

The table below shows the analog output modules based on their essential properties

Table 6-3 Analog output modules: Overview of properties

Properties	Modules				
	SM 332; AO 8 x 12 Bit	SM 332; AO 4 x 16 Bit	SM 332; AO 4 x 12 Bit	SM 332; AO 2 x 12 Bit	SM 332; AO 8 x 0/4...20mA HART
	(-5HF00-)	(-7ND02-)	(-5HD01-)	(-5HB01-)	(-8TF00-) *
Number of outputs	8 output channels	4 outputs in 4 channel groups	4 output channels	2 output channels	8 output channels
Resolution	12 bits	16 bits	12 bits	12 bits	15 bits (0 mA to 20mA) 15 bits +sign (4 mA to 20mA)
Output type	per channel: <ul style="list-style-type: none"> <li>Voltage</li> <li>Current</li> </ul>	per channel: <ul style="list-style-type: none"> <li>Voltage</li> <li>Current</li> </ul>	per channel: <ul style="list-style-type: none"> <li>Voltage</li> <li>Current</li> </ul>	per channel: <ul style="list-style-type: none"> <li>Voltage</li> <li>Current</li> </ul>	per channel: <ul style="list-style-type: none"> <li>Voltage</li> <li>Current</li> </ul>
Supports isochronous mode	no	yes	no	no	no
Programmable diagnostics	yes	yes	yes	yes	yes
Diagnostic interrupt	programmable	programmable	programmable	programmable	programmable
Substitute value output	no	programmable	programmable	programmable	programmable
Potential ratios	electrical isolation between: <ul style="list-style-type: none"> <li>the backplane bus connection</li> <li>load voltage</li> </ul>	electrical isolation between: <ul style="list-style-type: none"> <li>backplane bus interface and channel</li> <li>channels</li> <li>output and L+, M</li> <li>CPU and L+, M</li> </ul>	electrically isolated from: <ul style="list-style-type: none"> <li>the backplane bus interface</li> <li>load voltage</li> </ul>	electrically isolated from: <ul style="list-style-type: none"> <li>the backplane bus interface</li> <li>load voltage</li> </ul>	electrically isolated from: <ul style="list-style-type: none"> <li>the backplane bus interface</li> <li>load voltage</li> </ul>
Special features	-	-	-	-	-

+sign = plus sign

\* This module is described in the Distributed I/O Device ET 200M HART Analog Modules manual. You can find the manual on the Internet

(<http://support.automation.siemens.com/WW/view/en/22063748>).

## 6.2.3 Analog I/O modules

### Overview of properties

The table below shows the analog IO modules based on their essential properties

Table 6-4 Analog IO modules: Overview of properties

Properties	Modules	
	SM 334; AI 4/AO 2 x 8/8 Bit (-0CE01-)	SM 334; AI 4/AO 2 x 12 Bit (-0KE00-)
Number of inputs	4 inputs in 1 channel group	4 inputs in 2 channel groups
Number of outputs	2 outputs in 1 channel group	2 outputs in 1 channel group
Resolution	8 bits	12 bits + sign
Measurement type	programmable for each channel group: <ul style="list-style-type: none"> <li>• Voltage</li> <li>• Current</li> </ul>	programmable for each channel group: <ul style="list-style-type: none"> <li>• Voltage</li> <li>• Resistance</li> <li>• Temperature</li> </ul>
Output type	per channel: <ul style="list-style-type: none"> <li>• Voltage</li> <li>• Current</li> </ul>	per channel: <ul style="list-style-type: none"> <li>• Voltage</li> </ul>
Supports isochronous mode	no	no
Programmable diagnostics	no	no
Diagnostic interrupt	no	no
Limit value monitoring	no	no
Hardware interrupt when limit is exceeded	no	no
Hardware interrupt at end of cycle	no	no
Substitute value output	no	no
Potential ratios	<ul style="list-style-type: none"> <li>• connected to potential of the backplane bus interface</li> <li>• electrically isolated to load voltage</li> </ul>	electrically isolated to: <ul style="list-style-type: none"> <li>• backplane bus interface</li> <li>• load voltage</li> </ul>
Special features	Not programmable, measurement and output type defined by hardwiring	-

## 6.3 Analog input module SM 331; AI 8 x 16 bit; (6ES7331-7NF00-0AB0)

### Order number

6ES7331-7NF00-0AB0

### Properties

- 8 inputs in 4 channel groups
- Programmable measurement type at each channel group
  - Voltage
  - Current

- Programmable resolution for each channel group (15 bits + sign)
- Any measuring range per channel group
- Programmable diagnostics and diagnostic interrupt
- Programmable limit value monitoring for 2 channels
- Programmable hardware interrupt when limit is exceeded
- High-speed update of measured values
- Electrically isolated to the CPU
- Supports parameter reassignment in RUN

### Resolution

The resolution of measured values is independent of the selected integration time.

### Diagnostics

For information on diagnostic messages at the "group diagnostics" parameter, refer to the table *Diagnostic messages of analog input modules*.

### Hardware interrupts

Hardware interrupts for channel groups 0 and 1 can be programmed in *STEP 7*. However, set a hardware interrupt only for the first channel of a channel group, that is, either at channel 0, or at channel 2

### High-speed update of measured values

A high-speed update of measured values at two channels of a channel group is three times compared to the activation of several channel groups.

Example: When channels 0 and 1 are active with 2.5 ms filtering, both channels return new measured values to the PLC at intervals of 10 ms. (with other settings, the refresh rate is equivalent to the filter setting.)

High-speed update of measured values is only possible if both channels of channel group 0 and 1 are active, that is, the "measuring type" parameter is set. However, only one of the two channel groups 0 or 1 may be active (not concurrently active.)

### Terminal assignment

The diagrams below show various wiring options

### Wiring: Voltage and current measurement

Wire the voltage inputs of the channel voltage in parallel using the corresponding shunt resistor when measuring current. Bridge the channel input terminals with the adjacent connector terminals.

Example: You configure channel 0 for current measurement by bridging terminals 22 and 2, and terminals 23 to 3.

At the channel configured for current measurements, connect the shunt resistor to the adjacent channel terminals in order to achieve the specified precision.

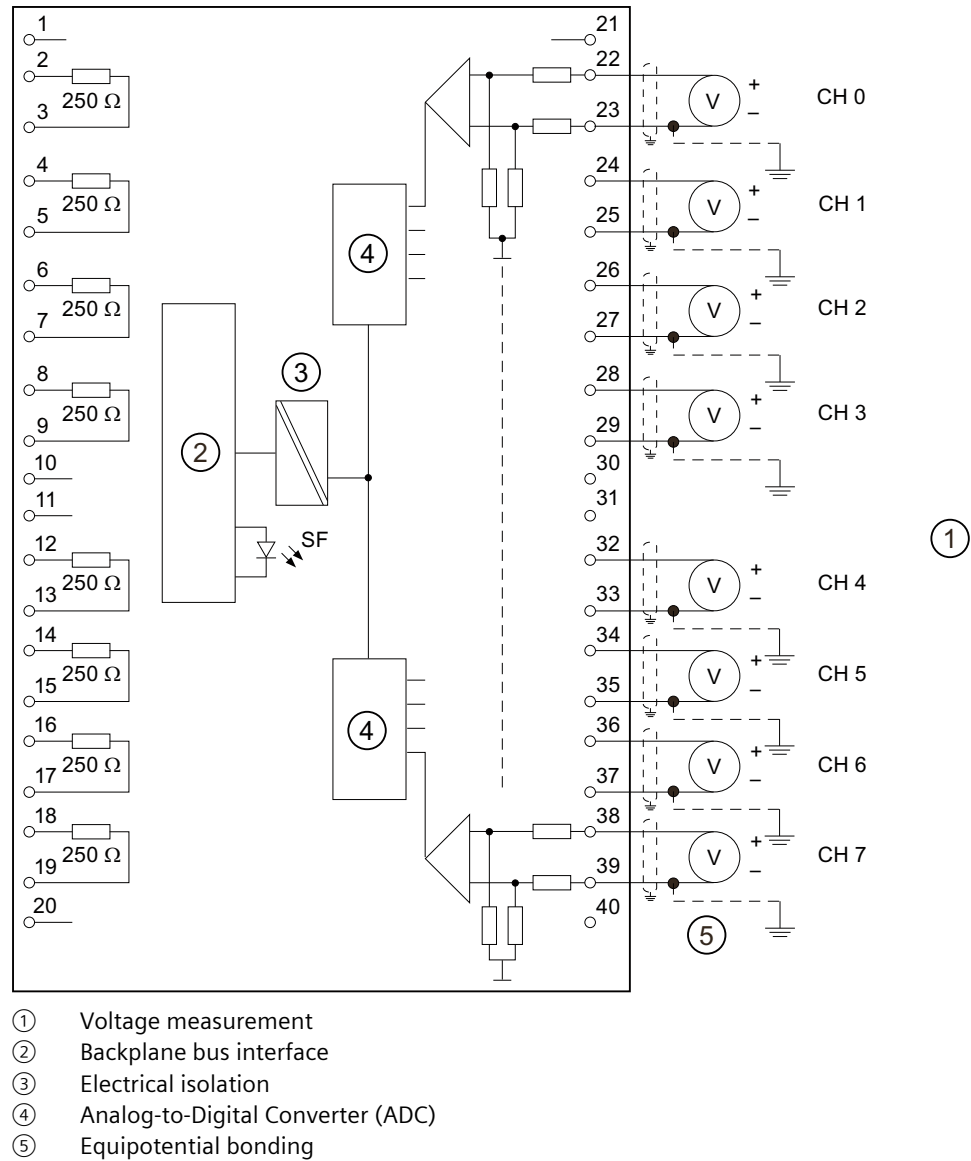


Figure 6-1 Wiring and block diagram

**Wiring: 2-wire and 4-wire transducers**

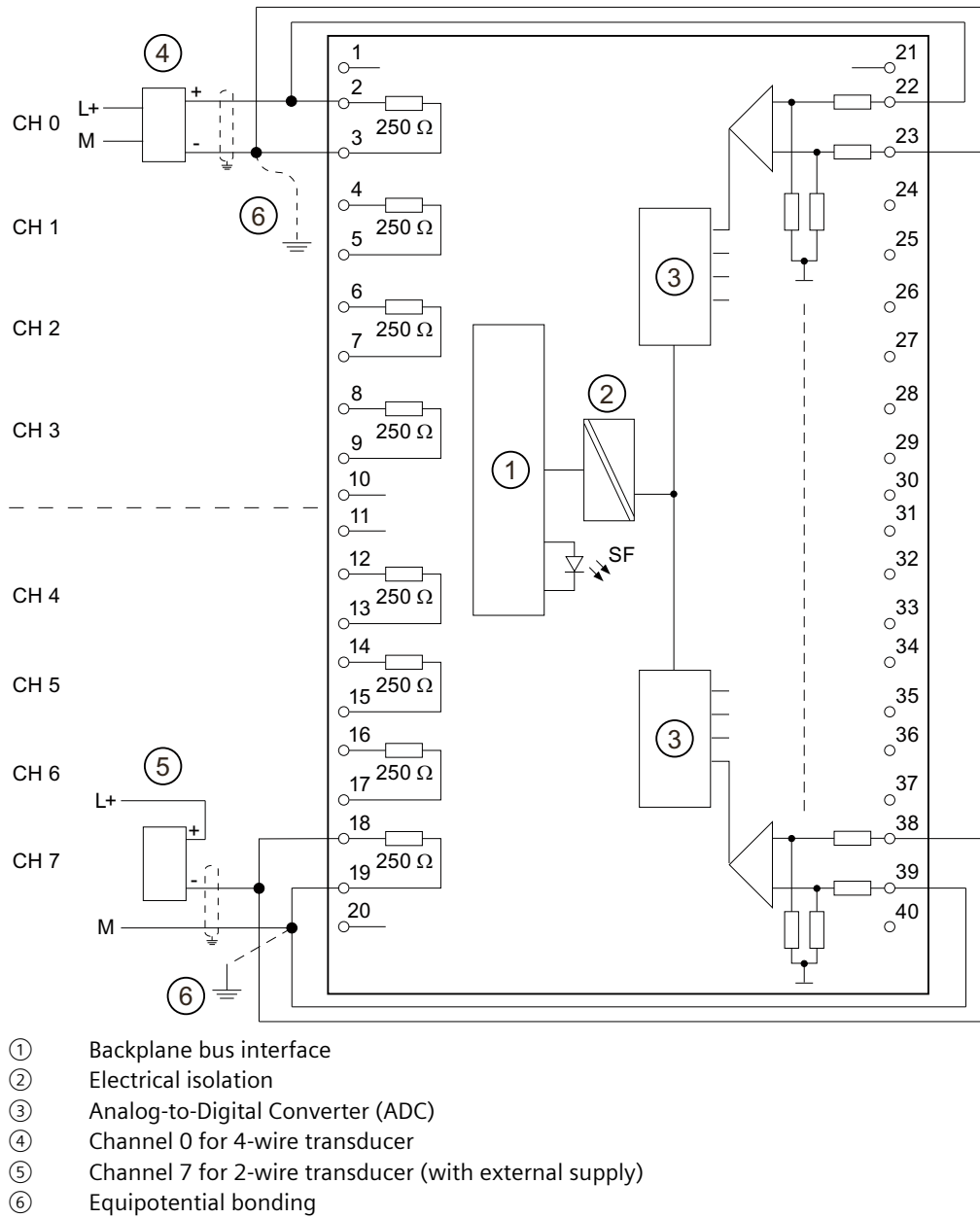


Figure 6-2 Wiring and block diagram

**Technical specifications**

<b>Technical specifications</b>	
<b>Dimensions and weight</b>	
Dimensions W x H x D (mm)	40 x 125 x 117
Weight	ca. 272 g
<b>Module-specific data</b>	
Supports parameter reassignment in RUN	Yes

## 6.3 Analog input module SM 331; AI 8 x 16 bit; (6ES7331-7NF00-0AB0)

Technical specifications				
Response of non-configured inputs	Return the process value which was valid before configuration			
Supports isochronous mode	no			
Number of inputs	8			
Cable length • shielded	max. 200 m			
Voltages, currents, electrical potentials				
Electrical isolation • between channels and the backplane bus	yes			
Maximum potential difference • between inputs (CMV)	35 V AC / 50 V DC,			
Isolation test voltage	500 V DC			
Current consumption • from the backplane bus	max. 130 mA			
Power loss of the module	typ. 0.6 W			
Generation of analog values				
Measuring principle	Integrating			
Integration/conversion time/resolution (per channel)				
• programmable	yes			
• Integration time in ms	10	16.7	20	100
• Basic conversion time for each group with more than one active channel	35	55	65	305
• Channel conversion time for each group, only with active channel group 0 or 1	10	16.7	20	100
Channel integration time (1/f1) in ms	10	16.7	20	100
• Resolution (including overshoot range)	15 bits + sign			
• Interference frequency suppression at interference frequency f1 in Hz	100	60	50	10
Basic execution time of the module in ms (all channels enabled)	140	220	260	1220
Interference frequency suppression and error limits				
Interference frequency suppression at $f = n$ ( $f1$ 1%), ( $f1$ = interference frequency); $n = 1, 2, \dots$				
• Common mode interference (CMV < 50 V) • Series mode interference (peak value of interference < rated input range)	> 100 dB > 90 dB			
Crosstalk between inputs	> 100 dB			
Operational limit (across entire temperature range, relative to measurement range end value in the selected input range)	$C_{MV} = 0$ / $CMV = \pm 50$ V			
• Voltage input • Current input	$\pm 0.1\%$ / $\pm 0.7\%$ $\pm 0.3\%$ / $\pm 0.9\%$			
Basic error limit (operational limit at 25 °C, relative to measurement range end value in the selected input range)				
• Voltage input • Current input	$\pm 0.05\%$ $\pm 0.05\%$			

Technical specifications		
Temperature error (relative to input range)	± 0.005%/K	
Linearity error (relative to input range)	±0.03%	
Repeat accuracy (in transient state at 25 °C, relative to input range)	±0.025%	
Status, interrupts, diagnostics		
Interrupts • Limit interrupt  • Diagnostic interrupt	programmable Channels 0 and 2 programmable	
Diagnostic functions • Group error display • Reading diagnostic information	programmable red LED (SF) supported	
Encoder selection data		
Input ranges (rated values) / input impedance		
• Voltage	± 5 V 1 V to 5 V ± 10 V	/ 2 MΩ / 2 MΩ / 2 MΩ
• Current	0 mA to 20 mA ± 20 mA 4 mA to 20 mA	/ 250 Ω / 250 Ω / 250 Ω
Maximum voltage at voltage input (destruction limit)	max. 50 V, continuous	
Maximum current at current input (destruction limit)	max. 32 mA	
Wiring of the signal transmitters		
• for voltage measurement • for current measurement – as 2-wire transducer – as 4-wire transducer	supported  possible, with separate transducer supply supported	

### Parameter reassignment in RUN

If you reassign parameters in RUN, the following special characteristic applies.

SF LED is lit:

If a diagnostics was pending prior to reconfiguration, the SF LEDs (on CPU, IM or module) may be lit even though diagnostics are no longer pending and the module is operating correctly.

Solution:

- Only assign new parameters if no diagnostics is pending, or
- unplug module and plug it in again.

## 6.3.1 Measurement types and ranges

### Introduction

The measurement type and range is configured at the "measuring range" parameter in *STEP 7*.

The default setting of the module is "voltage" measurement with "± 10V" range. You can use these default settings without having to program the SM 331; AI 8 x 16 Bit in *STEP 7*.



## Measurement types and ranges

Table 6-5 Measurement types and ranges

Selected type of measurement	Measuring range
Voltage V:	± 5 V 1 V to 5 V ± 10 V
Current	0 mA to 20 mA ± 20 mA 4 mA to 20 mA

## 6.3.2 Programmable parameters

### Introduction

For information on programming analog modules, refer to the chapter Programming analog modules [\(Page 244\)](#).

### Parameters

Table 6-6 Overview of the parameters of SM 331; AI 8 x 16 Bit

Parameters	Range of values	Default	Parameter type	Scope
Enable <ul style="list-style-type: none"> <li>Diagnostic interrupt</li> <li>Hardware interrupt when limit exceeded</li> </ul>	yes/no yes/no	no no	dynamic	Module
Hardware interrupt trigger <ul style="list-style-type: none"> <li>High limit</li> <li>Low limit</li> </ul>	May be restricted by the measuring range. from 32511 to - 32512 from - 32512 to 32511	-	dynamic	Channel
Diagnostics <ul style="list-style-type: none"> <li>Group diagnostics</li> <li>with line continuity check</li> </ul>	yes/no yes/no	no no	static	Channel group
Measurement <ul style="list-style-type: none"> <li>Measurement type</li> </ul>	disabled Voltage V: 4DMU current (4-wire transducer)	V	dynamic	Channel group
<ul style="list-style-type: none"> <li>Measuring range</li> </ul>	See the table <i>Measurement types and ranges</i>	± 10 V		
<ul style="list-style-type: none"> <li>Noise suppression</li> </ul>	100 Hz; 60 Hz; 50 Hz; 10 Hz	50 Hz		

### Channel groups

The channels of SM 331; AI 8 x 16 Bit are arranged in four groups of two channels. You can assign parameters only to one channel group.

The table below shows the relevant configuration of channel groups. The channel group number is required to program SFC parameters in the user program.

Table 6-7 Assignment of SM 331; AI 8 x 16 Bit channels to channel groups

Channels ...	... form one channel group each
Channel 0	Channel group 0
Channel 1	
Channel 2	Channel group 1
Channel 3	
Channel 4	Channel group 2
Channel 5	
Channel 6	Channel group 3
Channel 7	

See also

[Diagnostics messages of analog input modules \(Page 246\)](#)

### 6.3.3 Additional information on SM 331; AI 8 x 16 Bit

#### Unused channels

Set the "disabled" value at the "measuring type" parameter for unused channels. This setting reduces module cycle times.

As certain programmed inputs may remain unused due to the channel group configuration, make allowances for the special features of those inputs outlined below in order to be able to use the diagnostic functions at these used channels:

- **Measuring range 1 V to 5 V:** wire the used input and unused input of the same channel group in parallel.
- **Current measurement, 4 mA to 20 mA:** wire the used input and unused input of the same channel group in series. Connect a shunt resistor to each programmed and unused channel.
- **Other measuring ranges:** Short-circuit the plus and minus inputs of the channel.

#### Line continuity check

The line continuity check is available for the 1 V to 5 V and 4 mA to 20 mA ranges.

Rule for both measuring ranges:

When the line continuity check is **enabled**, the module logs the wire-break to diagnostics data when the current drops below 3.6 mA (0.9 V.)

The module also triggers a diagnostic interrupt if this function is enabled in the program.

A wire break can only be signaled by means of the lit SF LED and the diagnostic bytes must be evaluated in the user program if diagnostic interrupts are disabled.

When line continuity check is **disabled** and diagnostic interrupts are enabled, the module triggers a diagnostic interrupt when underflow is detected.

#### Special features in programming high and low limits

The programmable limits (hardware interrupt triggers) of SM 331; AI 8 x 16 Bit differ from the range of value shown in the *Overview of parameters of SM 331; AI 8 x 16 Bit*. table.

Reason: The calculation methods deployed in the module software to evaluate the process variables do not allow the reporting of values up to 32511 in certain situations. The process value triggering a hardware interrupt at underflow or overflow limits is based on the calibration factors of the relevant channel, and may vary between the low limits shown in the table below and the value 32511 (7EFF<sub>H</sub>).

You may not define any limits which exceed the minimum limits specified in the table below.

Table 6-8 Minimum high and low limits of SM 331; AI 8 x 16 Bit

Measuring range	Minimum high limit	Minimum low limit
± 10 V	11.368 V 31430 7AC6 <sub>H</sub>	-11.369 V -31433 8537 <sub>H</sub>
± 5 V	5.684 V 31430 7AC6 <sub>H</sub>	-5.684 V -31430 853A <sub>H</sub>
1 V to 5 V	5.684 V 32376 7E78 <sub>H</sub>	0.296 V -4864 ED00 <sub>H</sub>
0 mA to 20 mA	22.737 mA 31432 7AC8 <sub>H</sub>	-3.519 mA -4864 ED00 <sub>H</sub>
4 mA to 20 mA	22.737 mA 32378 7E7A <sub>H</sub>	1.185 mA -4864 ED00 <sub>H</sub>
± 20 mA	22.737 mA 31432 7AC8 <sub>H</sub>	-22.737 mA -31432 8538 <sub>H</sub>

### Measuring errors as a result of CMV

SM 331; AI 8 x 16 Bit is capable of taking measurements, irrespective of the presence of any CMV in the AC or DC range.

With **AC CMV** values of a multiple of filter frequency settings, noise is suppressed as a result of ADC integration time and common mode suppression at the input amplifiers. With AC CMV < 35 V<sub>RMS</sub>, the noise suppression of > 100 dB results in negligible measurement errors.

The influence of **DC CMV** can only be reduced to minimum using the noise suppression function of the input amplifier unit. A certain degradation of measuring accuracy in proportion to CMV must be expected. The worst case error is generated at 50 VDC between one channel and the remaining seven channels. The calculated worst case error is 0.7% at 0 °C to 60 °C, while the measured error usually lies at ≤ 0.1% at 25 °C.

## 6.4 Analog input module SM 331; AI 8 x 16 Bit; (6ES7331-7NF10-0AB0)

### Order number

6ES7331-7NF10-0AB0

## Properties

- 8 inputs in 4 channel groups
- Programmable measurement type at each channel group
  - Voltage
  - Current
- Programmable resolution for each channel group (15 bits + sign)
- Any measuring range selection per channel group
- Programmable diagnostics and diagnostic interrupt
- Programmable limit value monitoring for 8 channels
- Programmable hardware interrupt when limit is exceeded
- Programmable hardware interrupt at end of cycle
- High-speed update of measured values at up to 4 channels
- Electrical isolation to the CPU
- Supports parameter reassignment in RUN

## Diagnostics

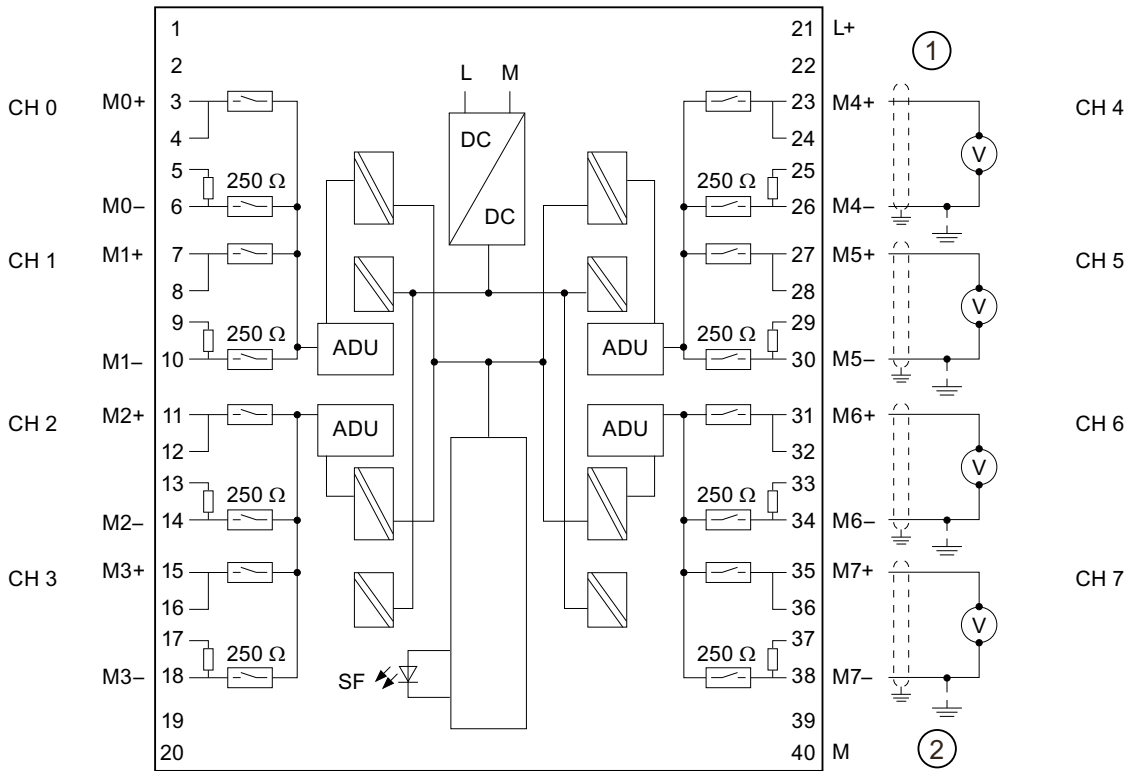
For information on diagnostic messages at the "group diagnostics" parameter, refer to the table *Diagnostic messages of analog input modules*.

## Terminal assignment

The diagrams below show various wiring options

### Wiring: Voltage and current measurement

Connection possible at both sides to channels 0 to 7

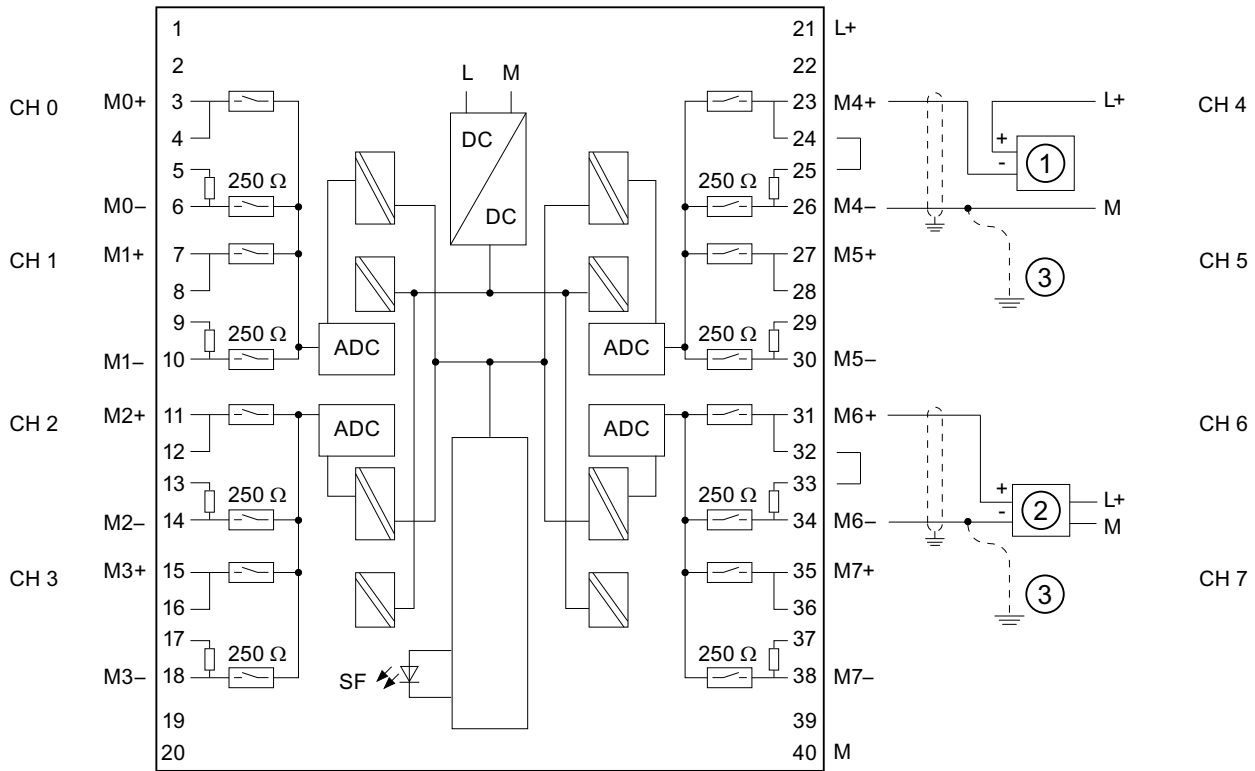


- ① Connection for voltage measurement
- ② Equipotential bonding

Figure 6-3 Wiring and block diagram

**Wiring: 2-wire and 4-wire transducer**

Connection possible at both sides to channels 0 to 7



- ① 2-wire transducer
- ② 4-wire transducer
- ③ Equipotential bonding

Figure 6-4 Wiring and block diagram

**Technical specifications**

Technical specifications	
<b>Dimensions and weight</b>	
Dimensions W x H x D (mm)	40 x 125 x 117
Weight	ca. 272 g
<b>Module-specific data</b>	
Supports parameter reassignment in RUN	Yes
Response of non-programmed inputs	Return the process value which was valid before configuration
Supports isochronous mode	no
Number of inputs	8
Cable length	max. 200 m
• shielded	
<b>Voltages, currents, electrical potentials</b>	
Rated electronics supply voltage L +	24 V DC

## 6.4 Analog input module SM 331; AI 8 x 16 Bit; (6ES7331-7NF10-0AB0)

<b>Technical specifications</b>	
• Reverse polarity protection	yes
Electrical isolation	
• between channels and the backplane bus • between channels and electronics power supply • between channels in groups of	yes yes yes 2
Isolation test voltage	500 V AC
Current consumption	
• from the backplane bus • from supply voltage L+	max. 100 mA max. 200 mA
Power loss of the module	typ. 3.0 W
<b>Generation of analog values</b>	
Measuring principle	Integrating
Integration/conversion time/resolution (per channel)	
• programmable • Basic conversion time in ms (8-channel mode) • Basic conversion time in ms (4-channel mode) • Resolution, including sign • Interference frequency suppression at frequency f1 in Hz	yes 95/83/72/23 10 <sup>1) 4)</sup> 16 bits All <sup>2)</sup> /50/60/400
Measured value smoothing	None / low/ average/ high
Basic execution time of the module, in ms (8-channel-mode)	190/166/144//46
Basic execution time of the module, in ms (4-channel-mode)	10 <sup>1)</sup>
<b>Interference frequency suppression, error limits</b>	
Interference frequency suppression at $F = n \times (f1 \ 1\%)$ ( $f1 =$ interference frequency, $n = 1, 2, \dots$ )	
• Common mode interference (VCM < AC 60 V) • Series mode interference (peak value of disturbance < rated input range)	> 100 dB > 90 dB <sup>3)</sup>
Crosstalk between inputs	> 100 dB
Operational limit (across entire temperature range, relative to the measurement range end value in the selected input range)	
• Input voltage • Input current	±0.1% ±0.1%
Basic error limit (operational limit at 25 °C, relative to the measurement range end value in the selected input range)	
• Voltage input • Current input	±0.05% ±0.05%
Temperature error (relative to input range)	± 0.005%/K
Linearity error (relative to input range)	±0.01%
Repeat accuracy (in settled state at 25 °C, relative to measurement range end value in the input range)	±0.01%
<b>Status, interrupts, diagnostics</b>	
Interrupts	

Technical specifications	
<ul style="list-style-type: none"> <li>Hardware interrupt when limit value is exceeded</li> <li>Hardware interrupt at end of cycle</li> <li>Diagnostic interrupt</li> </ul>	Programmable channels 0 to 7 programmable programmable
Diagnostic functions	programmable
<ul style="list-style-type: none"> <li>Group error display</li> <li>Reading diagnostic information</li> </ul>	red LED (SF) supported
Encoder selection data	
Input range (rated values) / input impedance	
<ul style="list-style-type: none"> <li>Voltage</li> </ul>	± 5 V / 2 MΩ 1 V to 5 V / 2 MΩ ± 10 V / 2 MΩ
<ul style="list-style-type: none"> <li>Current</li> </ul>	0 mA to 20 mA / 250 Ω 4 mA to 20 mA / 250 Ω ± 20 mA / 250 Ω
Maximum voltage at voltage input (destruction limit)	35 V continuous; 75 V for max. duration of 1 s (duty factor 1:20)
Maximum current at current input (destruction limit)	40 mA
Wiring of the signal transmitters	using a 40pin front connector
<ul style="list-style-type: none"> <li>for voltage measurement</li> <li>for current measurement</li> </ul> as 2-wire transducer  as 4-wire transducer	supported  possible, with separate transducer supply supported
1) Interference frequency for 4-channel mode is "All" 2) Interference frequencies 50/60/400 Hz are designated as "All" 3) The series mode rejection in 8-channel mode is reduced as follows: 50 Hz > 70 db 60 Hz > 70 db 400 Hz > 80 dB 50/60/400 Hz > 90 dB 4) In 4-channel mode, the converted value settles to 100% within 80 ms. The value determined in this process is returned at intervals of max. 10 ms.	

### Reassigning parameters in RUN

If you reassign parameters in RUN, the following special characteristic applies.

SF LED is lit:

If a diagnostics was pending prior to reconfiguration, the SF LEDs (on CPU, IM or module) may be lit even though diagnostics is no longer pending and the module is operating correctly.

Solution:

- Only assign new parameters if no diagnostics is pending, or
- unplug module and plug it in again.



## 6.4.1 Measurement types and measuring ranges

### Introduction

The measurement type and range is configured at the "measuring type" parameter in *STEP 7*.

Table 6-9 Measurement types and ranges

Selected type of measurement	Output range
Voltage V:	$\pm 5$ V, from 1 V to 5 V, $\pm 10$ V
Current (4-wire transducer) 4DMU	0 mA to 20 mA 4 mA to 20 mA $\pm 20$ mA

### Channel groups

The channels of SM 331; AI 8 x 16 bits are arranged in four groups of two channels. You always assign parameters to a group. The interrupt limits form the exception.

The table below shows the relevant configuration of channel groups. The channel group number is required to program SFC parameters in the user program.

Table 6-10 Assignment of SM 331; AI 8 x 16 Bit channels to channel groups

Channels ...	...form one channel group each
Channel 0	Channel group 0
Channel 1	
Channel 2	Channel group 1
Channel 3	
Channel 4	Channel group 2
Channel 5	
Channel 6	Channel group 3
Channel 7	

## 6.4.2 Programmable parameters

### Introduction

For information on programming analog modules, refer to the chapter Programming analog modules ([Page 244](#)).

### Parameter

Table 6-11 Overview of parameters of SM 331; AI 8 x 16 Bit

Parameters	Range of values	Defaults	Parameter type	Scope
Enable				
• Process interrupt when limit value is exceeded	yes/no	no	dynamic	Module
• Process interrupt at end of cycle	yes/no	no	dynamic	
• Diagnostics interrupt	yes/no	no	dynamic	

Parameters	Range of values	Defaults	Parameter type	Scope
Process interrupt trigger <ul style="list-style-type: none"> <li>High limit</li> <li>Low limit</li> </ul>	32511 to -32512 -32512 to 32511	- -	dynamic dynamic	Channel Channel
Diagnostics <ul style="list-style-type: none"> <li>Group diagnostics</li> <li>Line continuity check</li> </ul>	yes/no yes/no	no no	static	Channel Channel
Measurement <ul style="list-style-type: none"> <li>Module operating mode</li> <li>Noise suppression</li> </ul>	<ul style="list-style-type: none"> <li>8 channels</li> <li>4 channels</li> </ul> 50 Hz 60 Hz 400 Hz 50/60/400 Hz	yes no  50/60/400 Hz	dynamic	Module Channel group
<ul style="list-style-type: none"> <li>Smoothing</li> </ul>	<ul style="list-style-type: none"> <li>none</li> <li>weak</li> <li>medium</li> <li>strong</li> </ul>	none	dynamic	Channel group
<ul style="list-style-type: none"> <li>Measurement type</li> </ul>	<ul style="list-style-type: none"> <li>Measuring range:</li> </ul>		dynamic	Channel group
disabled				
Voltage	<ul style="list-style-type: none"> <li>± 5 V</li> <li>1 V to 5 V</li> <li>± 10 V</li> </ul>	± 10 V		
Current (4-wire transducer)	<ul style="list-style-type: none"> <li>0 mA to 20 mA</li> <li>4 mA to 20 mA</li> <li>± 20 mA</li> </ul>	4 mA to 20 mA		

**See also**

[Diagnostics messages of analog input modules \(Page 246\)](#)

[Programming analog modules \(Page 244\)](#)

**6.4.3 Additional information for SM 331; AI 8 x 16 Bit**

**Modes of operation**

Operating modes of SM 331; AI 8 x 16 Bit:

- 8-channel mode
- 4-channel mode

## 8-channel operating mode

In this mode, the module changes between the two channels of each group. Since the module contains four analog/digital converters (ADC), all four ADCs convert simultaneously for channels 0, 2, 4 and 6. After converting the channels with the even numbers, all ADCs simultaneously convert for the channels with the odd numbers 1, 3, 5 and 7 (see the figure below).

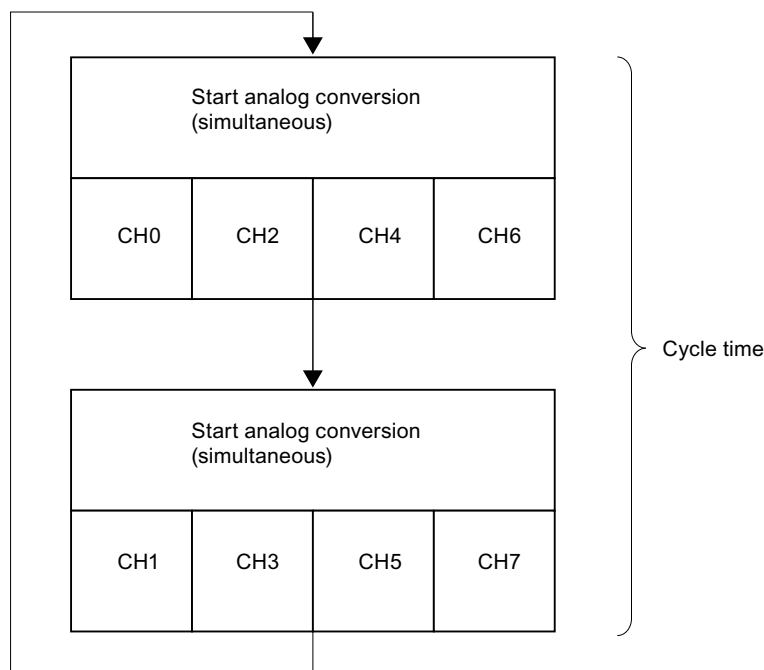


Figure 6-5 8-channel mode cycle time

## Cycle time of module in 8-channel mode

The channel conversion time is based on the programmed noise suppression. The channel conversion time is 76 ms, including communication time, at a set interference frequency of 50 Hz. The channel conversion time is 65 ms when you set an interference frequency of 60 Hz. You can reduce channel conversion times to 16 ms by setting an interference frequency of 400 Hz. When you set 50, 60 and 400 Hz, the channel conversion time amounts to 88 ms. The module then has to switch to a different channel of the group by means of the OptoMOS relay. Opto-MOS relays require 7 ms for switching and settling. The following table shows this relationship.

Table 6-12 Cycle times in 8-channel mode

Interference frequency (Hz)	Channel cycle time (ms)	Module cycle time (all channels)
50	83	166
60	72	144
400	23	46
50/60/400	95	190

## 4-channel operating mode

In this mode, the module does not change between the channels of the groups. The four ADCs of the module simultaneously convert the channels 0, 2, 4 and 6.

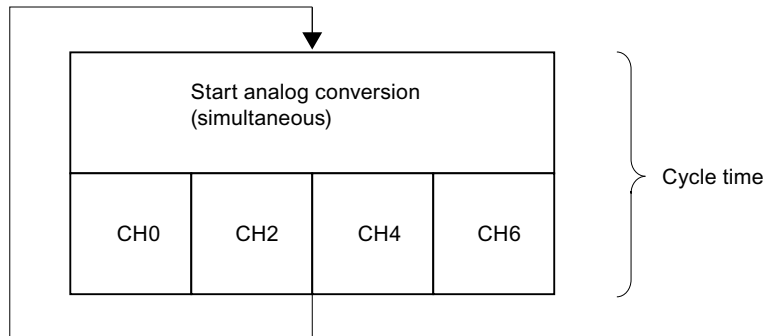


Figure 6-6 4-channel mode cycle time

## Module cycle time

The converted value settles to 100% within 80 ms and is updated every 10 ms when 4-channel mode is set. The channel and module cycle times are always identical, because the module does not change between the channels of a group: 10 ms.

Channel conversion time = channel cycle time = module cycle time = 10 ms

## Unused channels

Set the "disabled" value at the "measuring method" parameter for unused channels. This setting reduces module cycle times.

As certain programmed inputs may remain unused due to the channel group configuration in 8-channel mode, make allowances for the special features of these inputs outlined below to activate the diagnostics functions at the channels being used:

- **Measuring range 1 V to 5 V:** wire the used input and unused input of the same channel group in parallel.
- **Current measurement, 4 to 20 mA:** Connect unused input in series to the input of the same channel group. A shunt resistor must be connected for each programmed and unused channel.
- **Other measuring ranges:** Short-circuit the plus and minus inputs of the channel.

## Line continuity check

The wire break test is available for the voltage measuring range 1 to 5 V and the current measuring range 4 to 20 mA.

When there is a configured measuring range of 1 to 5 V or 4 to 20 mA and the wire break test is **activated**, the analog input module reports a wire break in the diagnostics when underflow (-32768) is reached.

- The module also triggers a diagnostic interrupt if this function is enabled in the program.
- A wire break can only be signaled by means of the lit SF LED and the diagnostic bytes must be evaluated in the user program if diagnostic interrupts are disabled.

Under the following circumstances, wire-break detection can take up to 2 s:

- If a wire break occurs during voltage measurement.
- If a wire break occurs on the front-connector jumpers from shunt (250 Ω) to the inputs during current measurement.

The measured value can go through the entire valid value range during the wire break detection.

When there are configured measuring ranges  $\pm 10\text{ V}$ ,  $\pm 5\text{ V}$ , 1 to 5 V or 4 to 20 mA, the wire break test is **not activated** and a diagnostic interrupt is enabled, the module triggers a diagnostic interrupt when the underflow is reached. The module detect the underflow when the input signal is below 0.296 V or 1.185 mA.

### Overflow, underflow and hardware interrupt limits

The limits in diagnostics response to overflow and underflow in certain measuring ranges differ compared to the listed ranges starting at the chapter *Analog value representation for analog input channels* of the manual. In certain situations the numerical methods of the module software used to evaluate the process variables do not return values up to 32511. Do not set any hardware interrupt limits higher than the lowest possible overflow or underflow response limits. End of cycle interrupt starting at the chapter *Analog value representation for analog input channels*.

### End of cycle interrupt

You can synchronize a process with the conversion cycle of the module by enabling the end of cycle interrupt. The interrupt is set when enabled channels have been converted.

The table below shows the contents of the 4 bytes of additional OB40 information during process or end of cycle interrupts.

Content of the 4 bytes of additional information		27	26	25	24	23	2 <sup>2</sup>	2 <sup>1</sup>	2 <sup>0</sup>	Byte
Special analog flags	2 bits per channel to identify the range									
	High limit exceeded at channel	7	6	5	4	3	2	1	0	0
	Low limit exceeded at channel	7	6	5	4	3	2	1	0	1
	End of cycle event						X			2
Free bit										3

### Operation of the module on the ET 200M Distributed IO devices

Operation of SM 331; AI 8 x 16 Bit on ET 200M requires one of the following IM 153 x:

- IM 153-1; as of 6ES7153-1AA03-0XB0; E 01
- IM 153-2; as of 6ES7153-2AA02-0XB0; E 05
- IM 153-2; as of 6ES7153-2AB01-0XB0; E 04

### Programming restrictions when operating SM 331; AI 8 x 16 Bit on PROFIBUS masters which only support DPV0

Certain parameters are not supported when operating an electrically isolated SM 331; AI 8 16 Bit analog input module on an ET200M PROFIBUS slave system in combination with a PROFIBUS master which is not an S7 master. Non-S7 masters do not support hardware interrupts. All parameters associated with these functions are disabled for this reason. This includes hardware interrupt enable, hardware restrictions and end the enabling of cycle interrupts. All other parameters are allowed.

## 6.5 Analog input module SM 331; AI 8 x 14 Bit High Speed; isochrone; (6ES7331-7HF0x-0AB0)

### Order number

6ES7331-7HF00-0AB0 or 6ES7331-7HF01-0AB0

### Properties

- 8 inputs in 4 channel groups
- Measurement type programmable for each channel group:
  - Voltage
  - Current
- Programmable resolution for each group (13 bits + sign)
- Any measuring range per channel group
- Programmable diagnostics and diagnostic interrupt
- Programmable limit value monitoring for 2 channels
- Programmable hardware interrupt when limit is exceeded
- High-speed update of measured values
- Supports isochronous mode
- Electrical isolation from the CPU
- Electrically isolated from load voltage (not for 2-wire transducers)

### Diagnostics

For information on diagnostics messages at the "group diagnostics" parameter, refer to chapter Diagnostic messages of analog input modules [\(Page 246\)](#).

### Hardware interrupts

Hardware interrupts for channel groups 0 and 1 can be programmed in STEP 7. However, set a hardware interrupt only for the first channel of a channel group, that is, either at channel 0, or at channel 2

### Terminal assignment

The diagrams below show the various wiring options.

**Wiring: Voltage measurement**

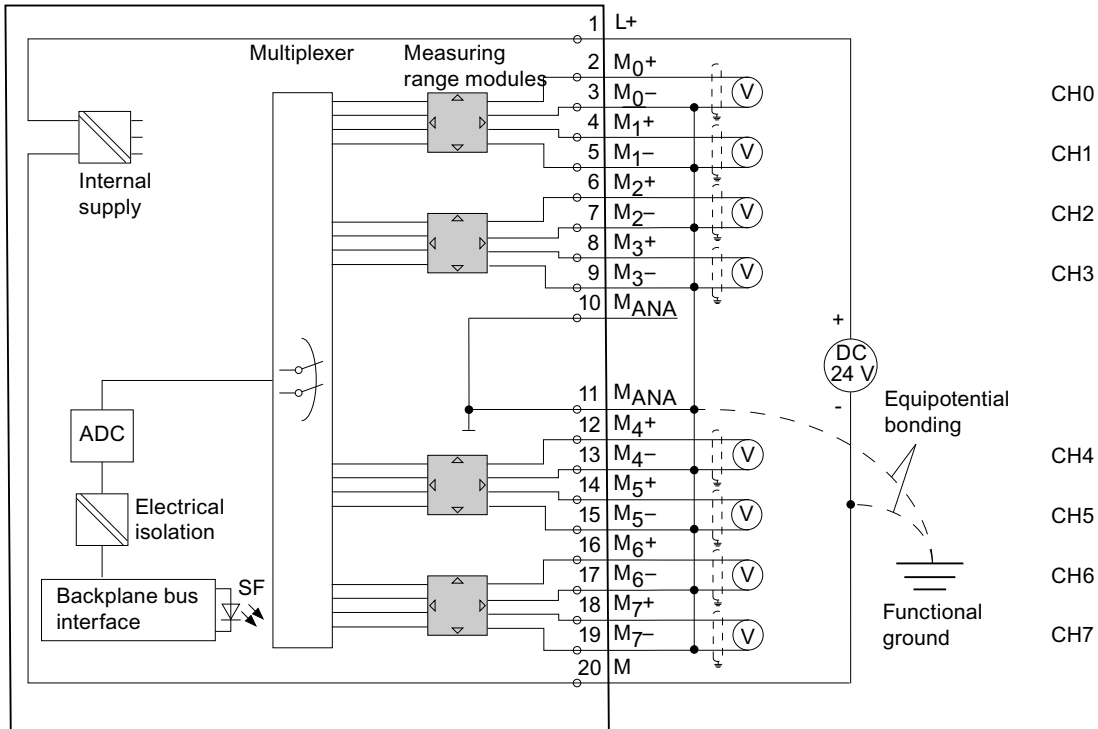


Figure 6-7 Block diagram and wiring diagram

**Measuring range module settings**

Measuring range	Measuring range module setting
$\pm 1V$	A
$\pm 5V$	B
$\pm 10V$	B (Default)
1 V to 5V	B

**Wiring: 2-wire and 4-wire transducers for current measurement**

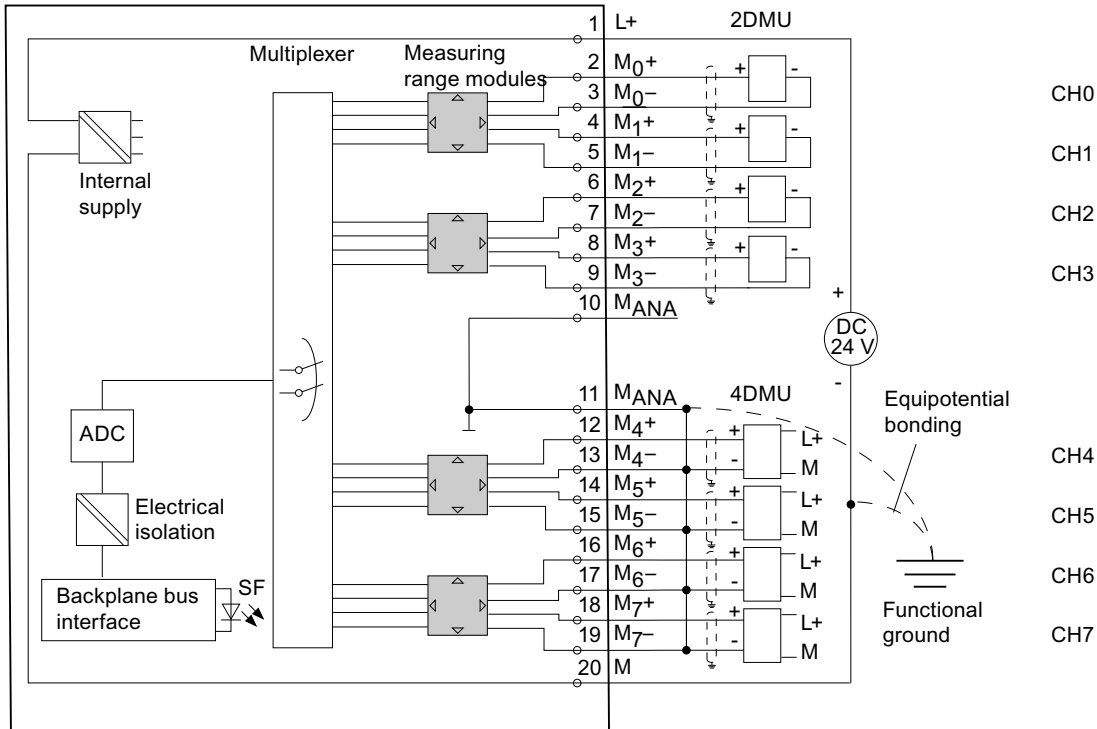


Figure 6-8 Block diagram and wiring diagram

**Measuring range module settings**

Measuring range		Measuring range module setting
2-wire transducer	4 mA to 20mA	D
4-wire transducer	± 20mA 0 mA to 20mA 4 mA to 20mA	C

**Technical specifications**

Technical specifications	
<b>Dimensions and weight</b>	
Dimensions W x H x D (mm)	40 x 125 x 117
Weight	ca. 230 g
<b>Module-specific data</b>	
Supports isochronous mode	yes
Number of inputs	8
Cable length • shielded	max. 200 m
<b>Voltages, currents, electrical potentials</b>	



## 6.5 Analog input module SM 331; AI 8 x 14 Bit High Speed; isochrone; (6ES7331-7HF0x-0AB0)

Technical specifications				
Rated electronics supply voltage L + • Reverse polarity protection	24 V DC yes			
Transducer power supply				
• Supply current • short circuit-proof	max. 30 mA (per channel) yes			
Electrical isolation				
• between channels and the backplane bus • between channels • between channels and electronics power supply	yes no yes			
Maximum potential difference • between inputs and $M_{ANA}$ (CMV) – at signal = 0 V – not for 2-wire transducers • between inputs (CMV)	11 V DC / 8 V AC  11 V DC / 8 V AC			
Isolation test voltage • Channels to backplane bus and load voltage L +	500 V DC			
Current consumption • from the backplane bus • from load voltage L + (without 2-wire transducer)	max. 100 mA max. 50 mA			
Power loss of the module	typ. 1.5 W			
Generation of analog values				
Measuring principle	Actual value conversion			
Integration/conversion time/resolution (per channel)				
• programmable	yes			
• Basic conversion time per channel	52 $\mu$ s			
• Resolution (including overshoot range)	14 bits			
• Interference frequency suppression at interference frequency $f_1$ in Hz	none	400	60	50
• Basic execution time of the module (independent of the number of enabled channels)	0.42 ms	2.5 ms	16.7 ms	20 ms
Interference frequency suppression, error limits				
Interference frequency suppression at $f = n$ ( $f_1 \pm 1\%$ ), ( $f_1 =$ interference frequency) $n=1.2\dots$				
• Common mode interference (CMV < 11 Vpp) • Series-mode interference (peak value < rated input range)	> 80 dB > 40 dB			
Crosstalk between inputs	> 65 dB			
Operational limit (across entire temperature range, relative to measurement range end value in the selected input range)				
• Voltage input	$\pm 1$ V $\pm 5$ V $\pm 10$ V 1 V to 5 V	$\pm 0.3\%$ $\pm 0.4\%$ $\pm 0.3\%$ $\pm 0.4\%$		
• Current input	$\pm 20$ mA 0 mA to 20 mA 4 mA to 20 mA	$\pm 0.3\%$ $\pm 0.3\%$ $\pm 0.3\%$		
Basic error limit (operational limit at 25 °C, relative to the measurement range end value in the selected input range)				

Technical specifications		
• Voltage input	± 1 V ± 5 V ± 10 V 1 V to 5 V	± 0.2 % ± 0.25 % ± 0.2 % ± 0.25 %
• Current input	± 20 mA 0 mA to 20 mA 4 mA to 20 mA	± 0.2 % ± 0.2 % ± 0.2 %
Temperature error (relative to input range)	± 0.004 %/K	
Linearity error (relative to input range)	± 0.03 %	
Repeat accuracy (in settled state at 25 °C, relative to input range)	± 0.1 %	
Status, interrupts, diagnostics		
Interrupts		
• Hardware interrupt	programmable	
• Diagnostic interrupt	programmable	
Diagnostic functions		
• Group error display	red LED (SF)	
• Reading diagnostics information	supported	
Encoder selection data		
Input ranges (rated values) / input impedance		
• Voltage	± 1 V ± 5 V ± 10 V 1 V to 5 V	10 MΩ 100 kΩ 100 kΩ 100 kΩ
• Current	± 20 mA 0 mA to 20 mA 4 mA to 20 mA	50 Ω 50 Ω 50 Ω
Maximum voltage at voltage input (destruction limit)	max. 20 V continuous; 75 V for the duration of max. 1 s (duty factor 1:20)	
Maximum current at current input (destruction limit)	40 mA	
Wiring of the signal transmitters	using a 20-pin front connector supported	
• for voltage measurement	supported	
• for current measurement	supported	
as 2-wire transducer	supported	
as 4-wire transducer	supported	
• Load of the 2-wire transducer at L+ = DC 24 V	max. 820 Ω	
Characteristics linearization	none	

### 6.5.1 Measurement types and measuring ranges

#### Introduction

The analog input module has measuring range modules. The measurement type and range is configured at the "measuring range" parameter in *STEP 7*.

The default setting of the module *STEP 7* is "voltage" measurement with "± 10V" range. You can use those default settings without having to program the SM 331; AI 8 x 14 Bit High Speed in *STEP 7*.

## Measuring range modules

You may have to change the position of the measuring range module to suit the measurement type and range. See table *Setting measuring methods and ranges of analog input channels*. The settings are also printed on the module. Mark the position of the measuring range module on the front door (see figure).

Range:

A	B
C	D

## Measurement types and measuring ranges

Table 6-13 Measurement types and ranges

Selected type of measurement	Measuring range (type of sensor)	Measuring range module settings
V: Voltage	± 1 V	A
	± 5 V 1 V to 5 V ± 10 V	B
	4DMU: Current (4-wire transducer)	C
2DMU: Current (2-wire transducer)	0 mA to 20 mA 4 mA to 20 mA ± 20 mA	D

## Channel groups

The channels of SM 331; AI 8 x 14 Bit High Speed are arranged in four groups of two channels. You can assign parameters only to one channel group.

SM 331; AI 8 x 14 bits High Speed is equipped with one measuring range module per channel group.

The table below shows the relevant configuration of channel groups. The channel group number is required to program SFC parameters in the user program.

Table 6-14 Assignment of SM 331; AI 8 x 14 bits High Speed channels to channel groups

Channels ...	... form one channel group each
Channel 0	Channel group 0
Channel 1	
Channel 2	Channel group 1
Channel 3	
Channel 4	Channel group 2
Channel 5	
Channel 6	Channel group 3
Channel 7	

## 6.5.2 Programmable parameters

### Introduction

For information on programming analog modules, refer to the chapter Programming analog modules (Page 244).

### Parameter

Table 6-15 Overview of parameters for SM 331; AI 8 x 14 Bit High Speed

Parameters	Range of values	Default	Parameter type	Scope
Enable <ul style="list-style-type: none"> <li>• Diagnostics interrupt</li> <li>• Process interrupt when limit exceeded</li> </ul>	yes/no yes/no	no no	dynamic	Module
Fast Mode (can only be set if the 331-7HF01 is included for isochronous operation in the DP slave properties)	yes/no	no	static	Module
Process interrupt trigger <ul style="list-style-type: none"> <li>• High limit</li> <li>• Low limit</li> </ul>	May be restricted by the measuring range. from 32511 to - 32512 from - 32512 to 32511	-	dynamic	Channel
Diagnostics <ul style="list-style-type: none"> <li>• Group diagnostics</li> </ul>	yes/no	no	static	Channel group
Measurement <ul style="list-style-type: none"> <li>• Measurement type</li> </ul>	disabled Voltage V 4DMU current (4-wire transducer) 2DMU current (2-wire transducer)	V	dynamic	Channel or channel group
• Measuring range	See the table <i>Measurement types and ranges</i>	± 10 V		
• Noise suppression	none; 400 Hz; 60 Hz; 50 Hz	50 Hz		

## 6.5.3 Isochronous mode

### Properties

Reproducible reaction times (i.e. of the same length) are achieved in a SIMATIC system by means of a constant DP bus cycle, and synchronization of the single cyclic processes outlined below:

- Independent user program cycle. The length of the cycle time may vary due to non-cyclic program branching.
- Independent and variable DP cycle on the PROFIBUS subnet
- Cyclic operation of the backplane bus of the DP slave.
- Cyclic signal preparation and conversion at the electronic modules of the DP slave.

The constant DP cycle runs in synchronism and at the same length. The CPU run levels (OB61 to OB64) and isochronous IO are synchronized with this cycle. I/O data are therefore transferred at defined and constant intervals (isochronous mode.)

## Requirements

- The DP master and slave must support isochronous mode. You require *STEP 7 V5.2* or higher.

## Mode of operation: Isochronous mode

Table 6-16 Conditions of isochronous mode:

<b>Standard Mode</b>	
Filtering and processing time $T_{WE}$ between reading actual values and writing these to the transfer buffer (the value defined for $T_{WE}$ applies, irrespective of the enable status of diagnostics)	max. 625 $\mu$ s
including an input delay time of	10 $\mu$ s
$T_{DPmin}$	3.5 ms
Diagnostics interrupt	max. 4 x $T_{DP}$
<b>Fast Mode</b> (only possible with 6ES7331-7HF01-0AB0)	
Filter and processing time $T_{WE}$ between reading actual value and writing the results to the transfer buffer (diagnosis not selectable)	max. 625 $\mu$ s
including an input delay time of	10 $\mu$ s
$T_{DPmin}$	1 ms

### NOTE

You can accelerate the cycle of your DP system by setting "Fast Mode." However, this is at the expense of diagnostics: Diagnostics functions will be disabled in this operating mode.

The minimum  $T_i$  value of 875  $\mu$ s which you can set in *HW Config* is derived from the defined  $T_{WE}$  value plus calculation and transfer times required by the IM 153.

The specified  $T_{DPmin}$  value is determined by the size of the DP slave/IM 153 configuration: Of the diverse installed modules, the slowest always determines the time  $T_{DPmin}$ .

### NOTE

When operated in "isochronous" mode, the modules automatically sets "Integration time: none/interference frequency", irrespective of parameter settings in *STEP 7*. none / interference frequency". "Process interrupt" functionality is not available in "isochronous" mode.

## Calculation of filter and processing times

The same time conditions always apply, regardless of the number of configured channels. The time relative to the clock signal for reading a specific channel is calculated according to the formula:

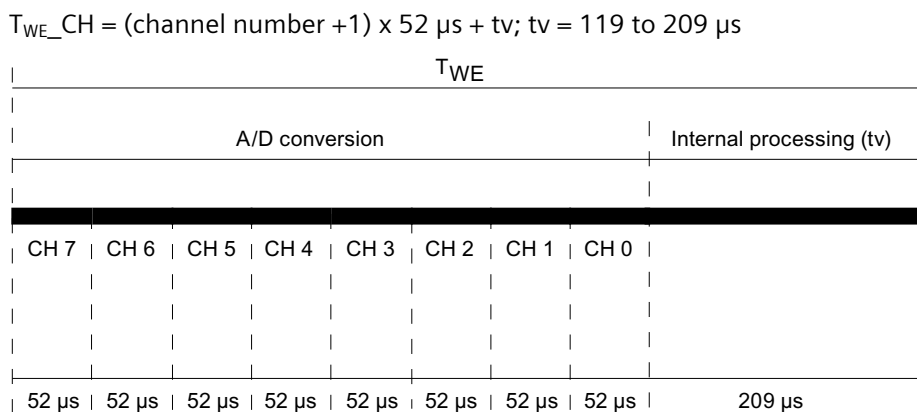


Figure 6-9 Calculation of filter and processing times

### Definition of isochronous mode

The module starts with the analog-to-digital conversion of channel 7, and saves the result internally. Next, it converts channels 6...0 sequentially at intervals of 52 ms and in the same way. After an additional internal processing time, it outputs the result of all converted channels to the backplane bus interface where it can be fetched by the CPU.

### Further information

You can find additional information on isochronous mode in the online help for *STEP 7*, and in the operating instructions Distributed I/O System ET 200M (<http://support.automation.siemens.com/WW/view/en/1142798>).

## 6.5.4 Additional information on SM 331; AI 8 x 14 Bit High Speed, isochrone

### Unused channels

You should wire unused channels as shown in the following table. This optimizes interference immunity of the analog input module.

Measuring range	M+ / M-	M_ana
Voltage	short-circuit	connect with M-
Current / 4-wire transducer	leave open	connect with M-
Current / 2-wire transducer	leave open	connect with M

As certain programmed inputs may remain unused due to the channel group configuration, make allowances for the special features of these inputs outlined below in order to be able to use the diagnostics functions at these used channels:

- **Measuring range 1 V to 5 V:** wire the used input and unused input of the same channel group in parallel.
- **Current measurement, 2-wire transducer:** There are two options of wiring the channel circuit.
  - a) Open unused inputs; channel group diagnostics disabled. If you were to enable diagnostics, the analog module would trigger a single diagnostic interrupt, and light up its SF LED.

b) Loading the unused input using a 1.5 k $\Omega$  to 3.3 k $\Omega$  resistor. This allows you to enable diagnostics for this channel group.

- **Current measurement 4 mA to 20 mA, 4-wire transducer:** wire the used input and unused input of the same channel group in series.

### Line continuity check for the 4 mA to 20 mA measuring range

If you configured a measuring range of 4 mA to 20 mA, and **enabled the line continuity check**, the analog input module logs a wire-break event to diagnostics data when the current drops below 1.185 mA.

The module also triggers a diagnostics interrupt if this function is enabled in the program. A wire break can only be signaled by means of the lit SF LED and the diagnostic bytes must be evaluated in the user program if diagnostics interrupts are disabled.

If you configured a measuring range of 4 mA to 20 mA, **disabled** the line continuity check, and enabled diagnostic interrupts, the module triggers a diagnostic interrupt when the underflow value is reached.

## 6.6 Analog input module SM 331; AI 8 x 13 Bit; (6ES7331-1KF02-0AB0)

### Order number

6ES7331-1KF02-0AB0

### Properties

- 8 inputs in 8 channel groups
- Programmable resolution for each group (12 bits + sign)
- Measurement type programmable for each channel group:
  - Voltage
  - Current
  - Resistance
  - Temperature
- Any measuring range per channel
- Motor protection / temperature monitoring with PTC in accordance with IEC 60034-11-2 type A
- Temperatures recorded via KTY83/110, KTY84/130 silicon temperature sensors

### Terminal assignment

The diagrams below show various wiring options. These examples apply to all channels (channel 0 to 7).

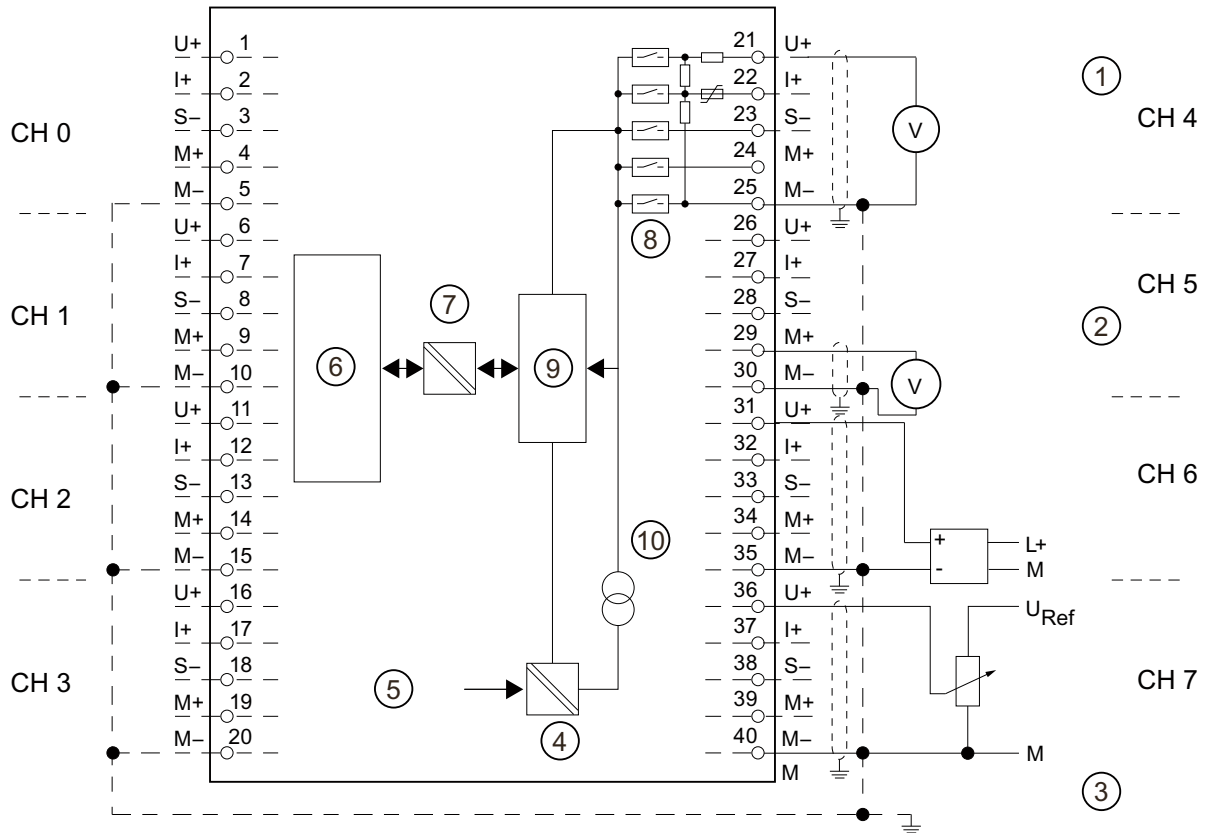
---

#### NOTE

When connecting voltage and current transducers, make sure that the maximum permitted common-mode voltage  $C_{MV}$  of 2 V is not exceeded between the inputs. Prevent measuring errors by interconnecting the corresponding M- terminals.

---

**Wiring: Voltage measurement**

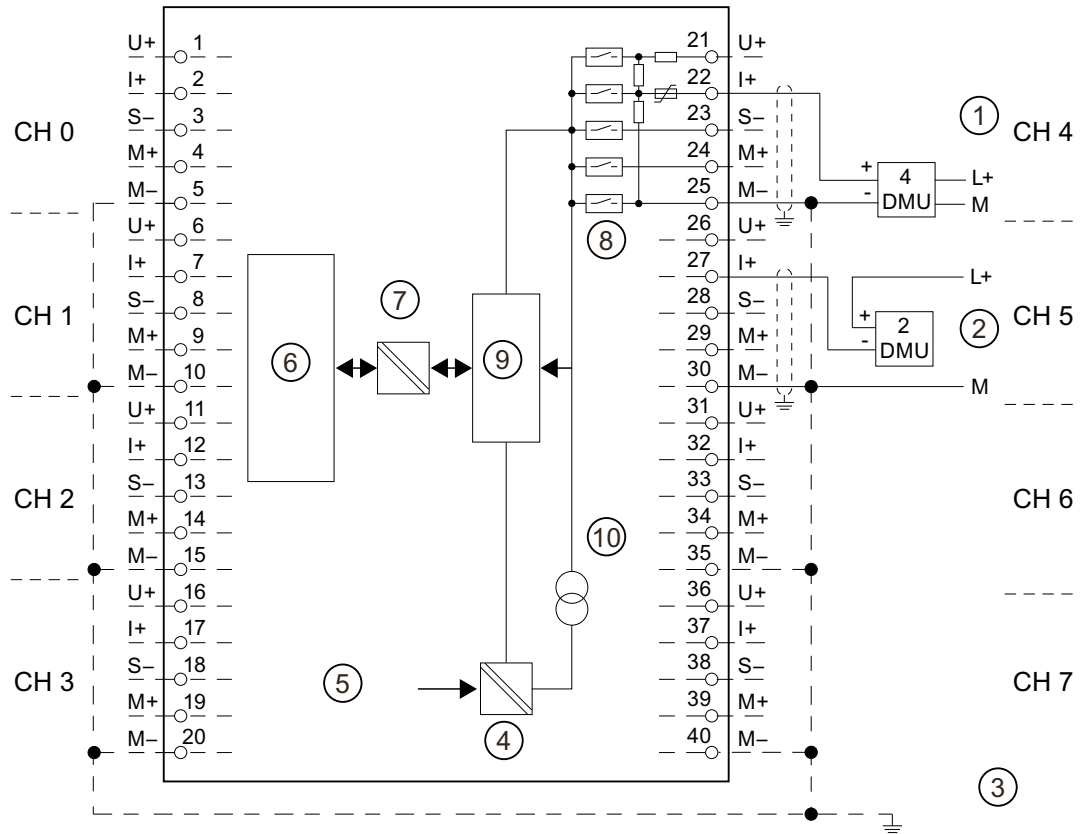


- ① Voltage measurement: ( $\pm 5V$ ,  $\pm 10V$ , 1 ... 5V, 0...10V)
- ② Voltage measurement ( $\pm 50\text{ mV}$ ,  $\pm 500\text{ mV}$ ,  $\pm 1\text{ V}$ ) (note the input resistance defined in the technical data)
- ③ Equipotential bonding
- ④ Internal supply
- ⑤ + 5 V from backplane bus
- ⑥ Logic and backplane bus interface
- ⑦ Electrical isolation
- ⑧ Multiplexer
- ⑨ Analog to Digital Converter (ADC)
- ⑩ Current source

Figure 6-10 Block diagram and terminal diagram



Wiring: 2-wire and 4-wire transducers for current measurement

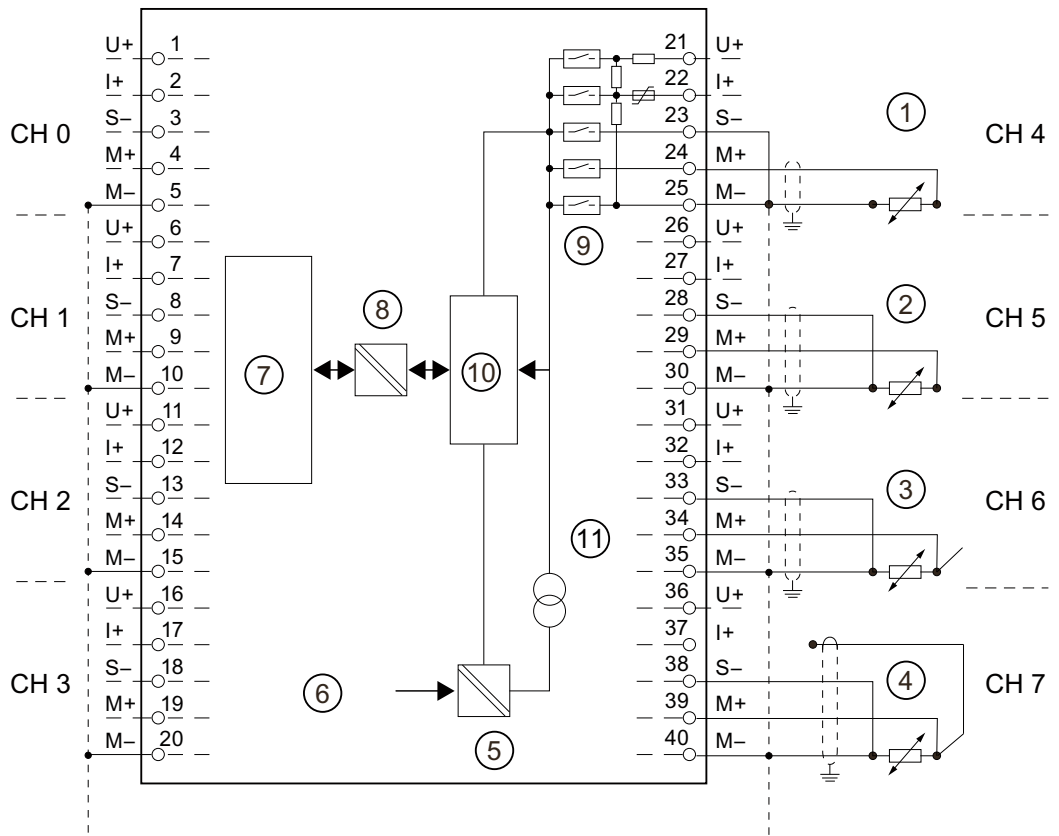


- ① 4-wire transducer (0/4 mA to 20 mA or ± 20 mA)
- ② 2-wire transducer (4 mA to 20 mA)
- ③ Equipotential bonding
- ④ Internal supply
- ⑤ + 5 V from backplane bus
- ⑥ Logic and backplane bus interface
- ⑦ Electrical isolation
- ⑧ Multiplexer
- ⑨ Analog to Digital Converter (ADC)
- ⑩ Current source

Figure 6-11 Block diagram and wiring diagram

**Wiring: Resistance measurement with 2-, 3- and 4-wire connection**

The following connection possibilities also apply to silicon temperature sensors and PTCs.



- ① 2-wire connection. Insert a bridge between M and S (no line resistance compensation).
- ② 3-wire connection
- ③ 4-wire connection. The fourth line may not be wired (remains unused)
- ④ 4-wire connection. The fourth line is routed to the terminal strip in the cabinet but is not wired.
- ⑤ Internal supply
- ⑥ +5 V from backplane bus
- ⑦ Logic and backplane bus interface
- ⑧ Electrical isolation
- ⑨ Multiplexer
- ⑩ Analog to Digital Converter (ADC)
- ⑪ Current source

Figure 6-12 Block diagram and terminal diagram

**NOTE**

It is not necessary to interconnect the M- terminals when measuring using resistors, resistance thermometers, PTCs, or silicon temperature sensors. However, interconnection of the M- terminals may enhance interference immunity.

## Technical specifications

Technical specifications		
<b>Dimensions and weight</b>		
Dimensions W x H x D (mm)	40 x 125 x 117	
Weight	ca. 250 g	
<b>Module-specific data</b>		
Supports isochronous mode	no	
Number of inputs	8	
• with resistive transducers	8	
Cable length	max. 200 m	
• shielded	max. 50 m at 50 mV	
<b>Voltages, currents, electrical potentials</b>		
Constant current for resistive transducers	0.83 mA (pulsed)	
• Resistance thermometer and resistance measurements 0 Ω to 600 Ω	0.25 mA (pulsed)	
• Resistance measurement 0 to 6 kΩ, PTC, silicon temperature sensors		
Electrical isolation	yes	
• between channels and the backplane bus	no	
• between channels		
Maximum potential difference	2.0 V DC	
• between inputs (CMV)		
Isolation test voltage	500 V DC	
Current consumption	max. 90 mA	
• from the backplane bus		
Power loss of the module	typ. 0.4 W	
<b>Generation of analog values</b>		
Measuring principle	Integrating	
Integration/conversion time/resolution (per channel)		
• programmable	yes	
• Interference frequency suppression at interference frequency f1 in Hz	50	60
• Integration time in ms	60	50
• Basic conversion time, including the integration time in ms	66	55
Additional conversion time for resistance measurements in ms	66	55
• Resolution in bits (including overshoot range)	13 bits	13 bits
<b>Interference frequency suppression, error limits</b>		
Interference frequency suppression at $f = n$ ( $f1 \pm 1\%$ ), ( $f1 =$ interference frequency) $n=1.2$		
• Common mode interference ( $V_{CM} < 2\text{ V}$ )	> 86 dB	
• Seriesmode interference (peak value < rated input range)	> 40 dB	
Crosstalk between inputs	> 50 dB	

Technical specifications		
Operational limit (across entire temperature range, relative to the measurement range end value in the selected input range)		
• Voltage input	± 5 V	± 0.6 %
	± 10 V 1 V to 5 V 0 V to 10 V ± 50 mV ± 500 mV ± 1 V	± 0.5 %
• Current input	± 20 mA	± 0.5 %
	0 mA to 20 mA 4 mA to 20 mA	
• Resistor/PTC	0 kΩ to 6 kΩ	± 0.5 %
	0 Ω to 600 Ω	± 0.5 %
	PTC	± 0.5 %
• Resistance thermometer/silicon temperature sensors	Pt 100 Ni 100 Standard	± 1.2 K
	Pt 100 Ni 100 Klima	± 1 K
	Ni 1000, LG-Ni 1000 Standard	± 1 K
	Ni 1000 LG-Ni 1000 Klima	± 1 K
	KTY83/110 KTY84/130	± 3.5 K ± 4.5 K
Basic error limit (operational limit at 25 °C, relative to the measurement range end value in the selected input range)		
• Voltage input	± 5 V	± 0.4 %
	± 10 V 1 V to 5 V 0 V to 10 V ± 50 mV ± 500 mV ± 1 V	± 0.3 %
• Current input	± 20 mA	± 0.3 %
	0 to 20 mA 4 mA to 20 mA	
• Resistor/PTC	0 kΩ to 6 kΩ	± 0.3 %
	0 Ω to 600 Ω	± 0.3 %
	PTC	± 0.3 %
• Resistance thermometer/silicon temperature sensors	Pt 100 Ni 100 Standard	± 1 K
	Pt 100 Ni 100 Klima	± 0.8 K

Technical specifications		
<ul style="list-style-type: none"> <li>Resistance thermometer/silicon temperature sensors</li> </ul>	Ni 1000 LG-Ni 1000 Standard	± 0.8 K
	Ni 1000 LG-Ni 1000 Klima	± 0.8 K
	KTY83/110 KTY84/130	± 2 K ± 2.7 K
Temperature error (relative to input range)	± 0.006 %/K / 0.006 K/K	
Linearity error (relative to input range)	± 0.1 % / 0.1 K	
Repeat accuracy (in transient state at 25 °C, relative to input range)	± 0.1 % / ± 0.1 K	
Status, interrupts, diagnostics		
Interrupts	none	
Diagnostic functions	none	
Encoder selection data		
Input ranges (rated values) / input impedance		
<ul style="list-style-type: none"> <li>Voltage</li> </ul>	± 50 mV ± 500 mV ± 1 V ± 5 V ± 10 V 1 V to 5 V 0 V to 10 V	100 kΩ
	<ul style="list-style-type: none"> <li>Current</li> </ul>	± 20 mA 0 mA to 20 mA 4 mA to 20 mA
<ul style="list-style-type: none"> <li>Resistor/PTC</li> </ul>	0 kΩ to 6 kΩ 0 Ω to 600 Ω PTC	100 MΩ
<ul style="list-style-type: none"> <li>Resistance thermometer/silicon temperature sensors</li> </ul>	Pt 100 Ni 100 Ni 1000 LG-Ni 1000 Standard / Klima KTY83/110 KTY84/130	100 MΩ
Maximum voltage at voltage input U+ (destruction limit)	max. 30 V, continuous	
Maximum voltage at voltage inputs M+, M-, S- (destruction limit)	max. 12 V continuous; 30 V for a duration of max. 1 s	
Maximum current at current input I+ (destruction limit)	40 mA	
Wiring of the signal transmitters	using a 40pin front connector	
<ul style="list-style-type: none"> <li>for voltage measurement</li> <li>for current measurement <ul style="list-style-type: none"> <li>– as 2-wire transducer</li> <li>– as 4-wire transducer</li> </ul> </li> </ul>	supported  supported, with external supply supported	

Technical specifications	
<ul style="list-style-type: none"> <li>for resistance measurement with 2-wire connection</li> <li>with 3-wire connection</li> <li>with 4-wire connection</li> </ul>	supported supported supported
Characteristics linearization	programmable
<ul style="list-style-type: none"> <li>for resistance thermometers</li> </ul>	Pt 100 Standard / Klima Ni 100 Standard / Klima Ni 1000 Standard / Klima LG-Ni 1000 Standard / Klima
<ul style="list-style-type: none"> <li>Technical unit of temperature measurement</li> </ul>	Degrees Centigrade, degrees Fahrenheit, Kelvin

### 6.6.1 Measurement types and measuring ranges

#### Introduction

The measurement type and range is configured at the "measuring type" parameter in *STEP 7*.

Selected type of measurement	Measuring range
Voltage V:	± 50 mV ± 500 mV ± 1 V ± 5 V 1 V to 5 V 0 V to 10 V ± 10 V
Current I	0 mA to 20 mA 4 mA to 20 mA ± 20 mA
resistance (4-wire connection) R-4L	6 kΩ 600 Ω PTC
Thermal resistance RTD-4L (linear, 4-wire connection) (temperature measurement) Silicon temperature sensors	Pt 100 Klima / Standard Ni 100 Klima / Standard Ni 1000 Klima / Standard LG-Ni 1000 Klima / Standard KTY83/110 KTY84/130

### 6.6.2 Programmable parameters

#### Introduction

You will find a description of the general procedure for assigning parameters to analog modules in section Programming analog modules ([Page 244](#)).

## Parameter

Table 6-17 Overview of the parameters of SM 331; AI 8 x 13 Bit

Parameters	Range of values	Default	Parameter type	Scope
Measurement				
• Measurement type	disabled Voltage V Current I Resistance R, PTC Thermal resistance RTD, silicon temperature sensors	V	dynamic	Channel
• Measuring range	Voltage ± 50 mV; ± 500 mV; ± 1 V; 1 V to 5 V ± 5 V; 0 V to 10 V; ± 10 V	± 10 V		
	Current 0 mA to 20 mA; 4 mA to 20 mA; ± 20 mA	± 20 mA		
	Resistance 0 Ω to 600 Ω; 0 kΩ to 6 kΩ; PTC	600 Ω		
	Thermoelectric resistance (linear) Pt 100 Klima / Standard Ni 100 Klima / Standard Ni 1000 Klima / Standard LG-Ni 1000 Klima / Standard KTY83/110 KTY84/130	Pt 100 Standard		
• Temperature coefficient	Pt 100 0.003850 Ω/Ω/ °C (IST-90) Ni 100 / Ni 1000 0.006180 Ω/Ω/ °C LG-Ni 1000 0.005000 Ω/Ω/ °C	0,003850		
• Interference frequency suppression	50 Hz; 60 Hz	50 Hz		Module
• Temperature unit	Degrees Centigrade, degrees Fahrenheit, Kelvin*	degrees Centigrade		
* only Pt 100 Standard, Ni 100 Standard, Ni 1000 Standard, LG-Ni 1000 Standard				

### 6.6.3 Additional information on SM 331; AI 8 x 13 Bit

#### Using the module

The spare parts of the SM 331-1KF02 are compatible with the SM 331-1KF01 and are configured with HSP 2067. HSP 2067 can be installed for STEP7 V5.4, SP5 and higher and is included for STEP7 V5.4, SP6 and higher.

#### Unused channels

Set the "disabled" value at the "measurement type" parameter for unused channels. This setting reduces module cycle times.

Interconnect the M- terminals of unused channels.

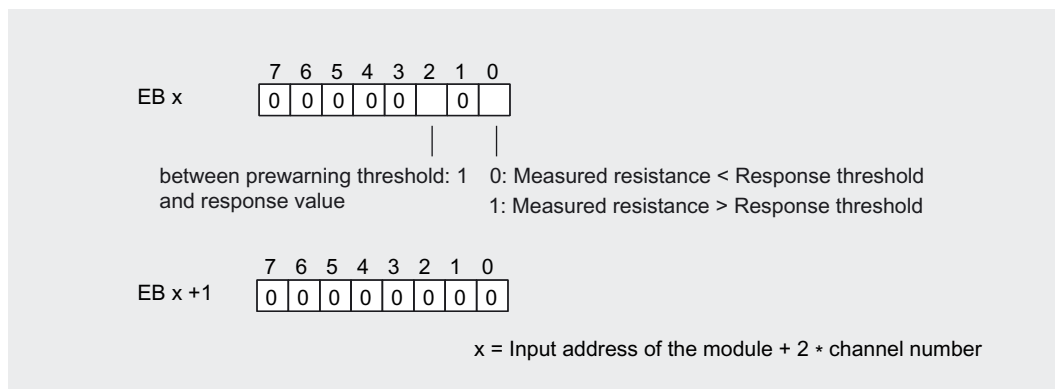
### Using PTC resistors

PTCs are suitable for monitoring the temperature of or providing thermal protection for complex drives and transformer windings. The module has no analog values when PTC resistances are used. Status information on fixed temperature ranges are displayed instead of analog values.

- When setting the parameters, select measurement type R "Resistance" and measuring range "PTC".
- Connect the PTC (see "Terminal diagram for resistance measurement").
- Use PTC resistors that comply with IEC 60034-11-2 (previously, PTC thermistors that complied with DIN/VDE 0660, Part 302).
- Sensor data for the PTC resistor:

Property	Technical specifications	Comment
Switching points	<b>Response to rising temperature</b>	
	< 550 Ω	<b>Normal range:</b> Bit 0 = "0", bit 2 = "0" (in the PII)
	550 Ω to 1650 Ω	<b>Advance warning range:</b> Bit 0 = "0", bit 2 = "1" (in the PII)
	> 1650 Ω	<b>Actuating range:</b> Bit 0 = "1", bit 2 = "0" (in the PII)
	<b>Response to falling temperature</b>	
	> 750 Ω	<b>Actuating range:</b> Bit 0 = "1", bit 2 = "0" (in the PII)
	750 Ω to 540 Ω	<b>Advance warning range:</b> Bit 0 = "0", bit 2 = "1" (in the PII)
< 540 Ω	<b>Normal range:</b> Bit 0 = "0", bit 2 = "0" (in the PII)	
(RRT-5) °C (RRT+5) °C (RRT+15) °C Measurement voltage Voltage at PTC	Max. 550 Ω Min. 1,330 Ω Min. 4,000 Ω Max. 7.5 V	RRT = Rated response temperature

- Assignment in the process image input (PII)





- Notes on programming

---

**NOTE**

Only bits 0 and 2 in the process image input are relevant for evaluation. You can use bits 0 and 2 to monitor the temperature of a motor, for example.

Bits 0 and 2 in the process image input cannot be saved. When assigning parameters, make sure that the motor, for example, starts up in a controlled manner (by means of an acknowledgment).

Bits 0 and 2 can never be set at the same time; they are set one after the other.

---

### Using silicon temperature sensors

Silicon temperature sensors are commonly used to detect temperatures in motors.

- When assigning the parameters, select measurement type "thermoresistor" and measuring range "KTY83/110" or "KTY84/130".
- Connect the temperature sensor (see "Terminal diagram for resistance measurement").

Use temperature sensors which comply with the Product Specifications published by Philips Semiconductors.

- KTY83 series (KTY83/110)
- KTY84 series (KTY84/130)

Also take note of the accuracy of the temperature sensors.

The temperature is specified in 0.1 degrees C, 0.1 degrees K, and/or 0.1 degrees F, see section Representation of the values for analog input channels [\(Page 218\)](#).

## 6.7 Analog input module SM 331; AI 8 x 12 bit;(6ES7331-7KF02-0AB0)

### 6.7.1 Analog input module SM 331; AI 8 x 12 bit;(6ES7331-7KF02-0AB0)

#### Order number

6ES7331-7KF02-0AB0

#### Properties

- 8 inputs in 4 channel groups
- Programmable measurement type at each channel group
  - Voltage
  - Current
  - Resistance
  - Temperature
- Programmable resolution at each channel group (9/12/14 bits + sign)
- Any measuring range selection per channel group
- Programmable diagnostics and diagnostic interrupt

- Programmable limit value monitoring for 2 channels
- Programmable hardware interrupt when limit is exceeded
- Electrically isolated to CPU and load voltage (not for 2-wire transducers)

**Resolution**

The resolution of measured values is directly dependent of the selected integration time. In other words, the longer the integration time for an analog input channel, the higher the resolution of a measured value.

**Diagnostics**

For information on diagnostics messages at the "group diagnostics" parameter, refer to chapter Diagnostic messages of analog input modules.

**Hardware interrupts**

Hardware interrupts for channel groups 0 and 1 can be programmed in *STEP 7*. However, set a hardware interrupt only for the first channel of a channel group, that is, either at channel 0, or at channel 2

**Terminal assignment**

The diagrams below show various wiring options The input impedance depends on the setting of the measuring range module, see table *Measurement types and ranges*.

**Wiring: Voltage measurement**

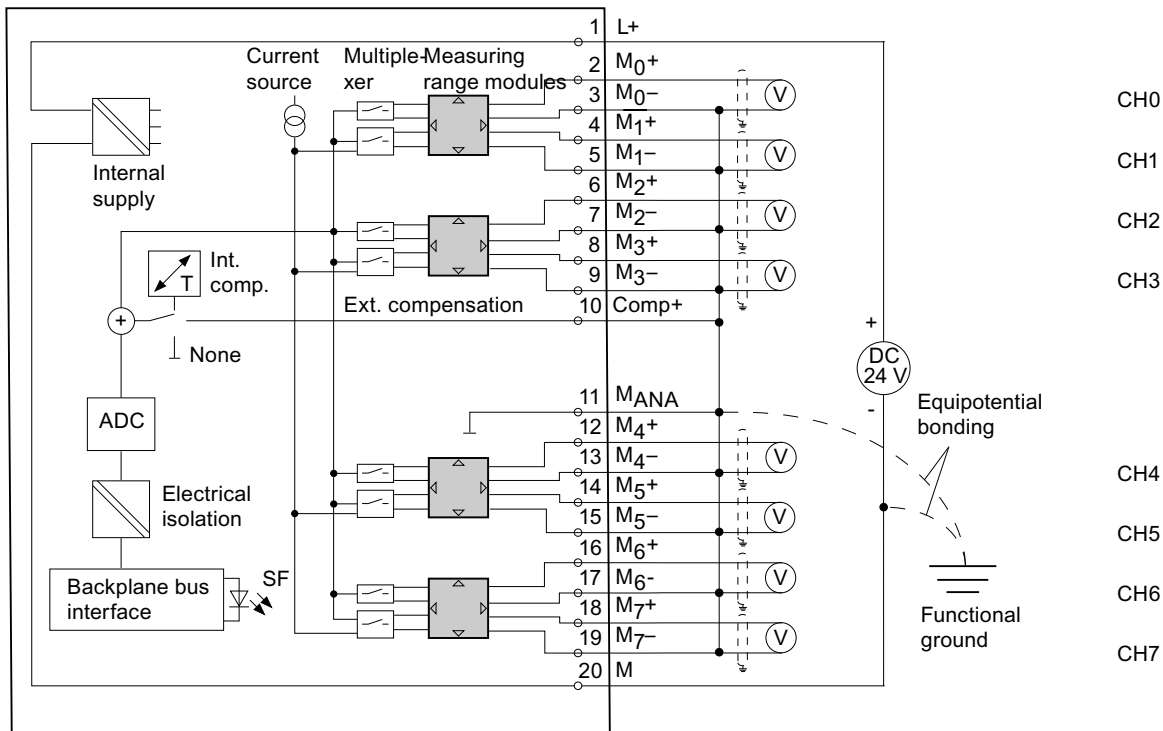


Figure 6-13 Block diagram and wiring diagram

### Measuring range module settings

Measuring range	Measuring range module setting
$\pm 80 \text{ mV}$ $\pm 250 \text{ mV}$ $\pm 500 \text{ mV}$ $\pm 1,000 \text{ mV}$	A
$\pm 2.5 \text{ V}$ $\pm 5 \text{ V}$ $1 \text{ V to } 5 \text{ V}$ $\pm 10 \text{ V}$	B

### Wiring: 2-wire and 4-wire transducers for current measurement

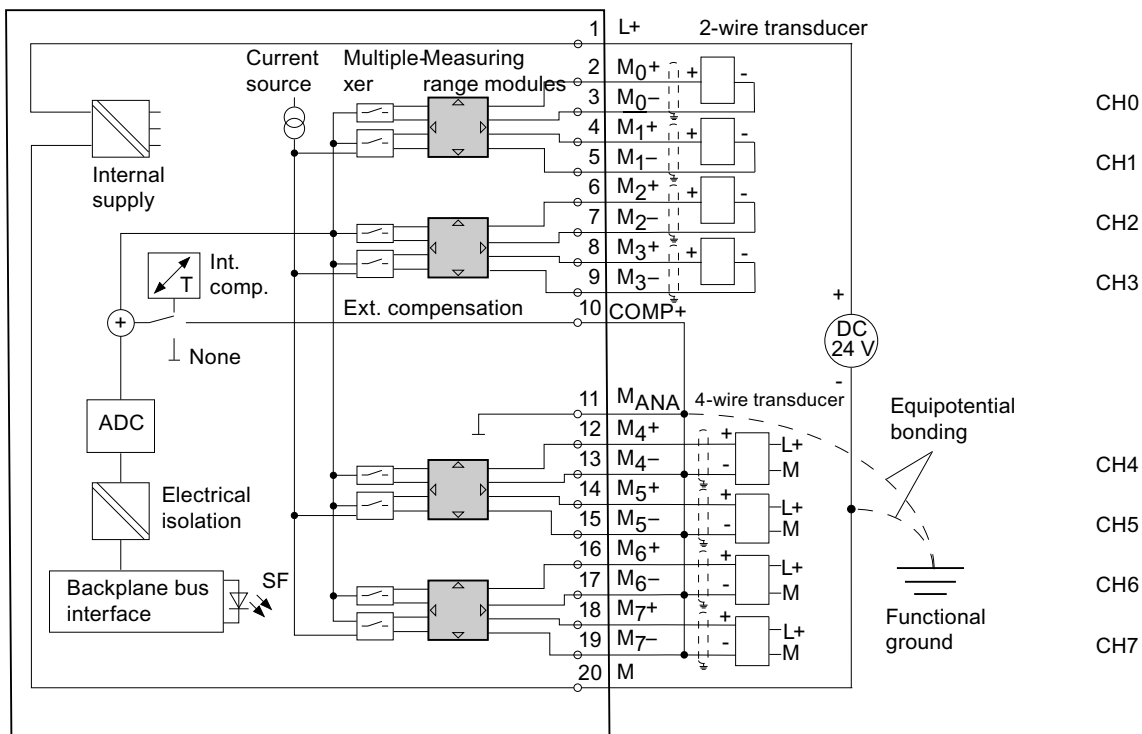


Figure 6-14 Block diagram and wiring diagram

#### NOTE

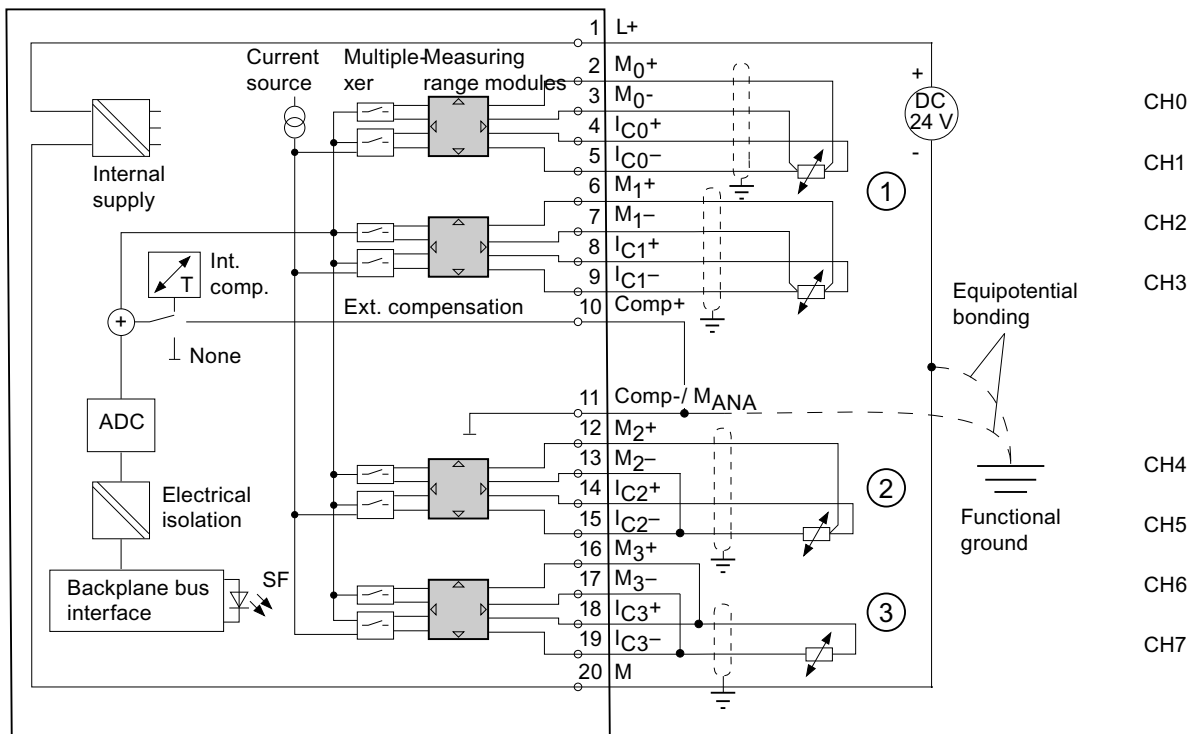
The interconnection between  $M_{ANA}$  and  $M-$  (terminals 11, 13, 15, 17, 19) is not required when using grounded 4-wire transducers with non-isolated supply.

Measuring range module settings

Measuring range		Measuring range module setting
2-wire transducer	4 mA to 20 mA	D
4-wire transducer	± 3.2 mA ± 10 mA 0 mA to 20 mA 4 mA to 20 mA ± 20 mA	C

**CAUTION**  
**Measuring range module in "Current" position**  
 Any voltage measurement will destroy the measuring range module if "current" measuring mode is set.

Wiring: 2-, 3- and 4-wire connection of resistance transducers or thermoresistors



- ① 4-wire connection
- ② 3-wire connection, no compensation for line resistors
- ③ 2-wire connection, no compensation for line resistors

Figure 6-15 Block diagram and wiring diagram

### Measuring range module settings

Measuring range		Measuring range module setting
150 Ω 300 Ω 600 Ω		A
Thermoresistor (linear, 4-wire connection) (temperature measurement) RTD-4L	Pt 100 Klima Ni 100 Klima Pt 100 Standard Ni 100 Standard	A

**NOTE**

- "Resistance measurement" is only available at one channel per group. The "2nd" channel of the group is used accordingly for current measuring mode (I<sub>C</sub>). The "1st" channel of the group returns the measured value. The "2nd" channel of the group is assigned the default overflow value "7FFF<sub>H</sub>."
- There is no compensation of the line resistance with a 2 and 3-wire connection.

### Wiring: Thermocouples with external compensation

Insert a bridge between Comp+ and M<sub>ANA</sub> when using the internal compensation.

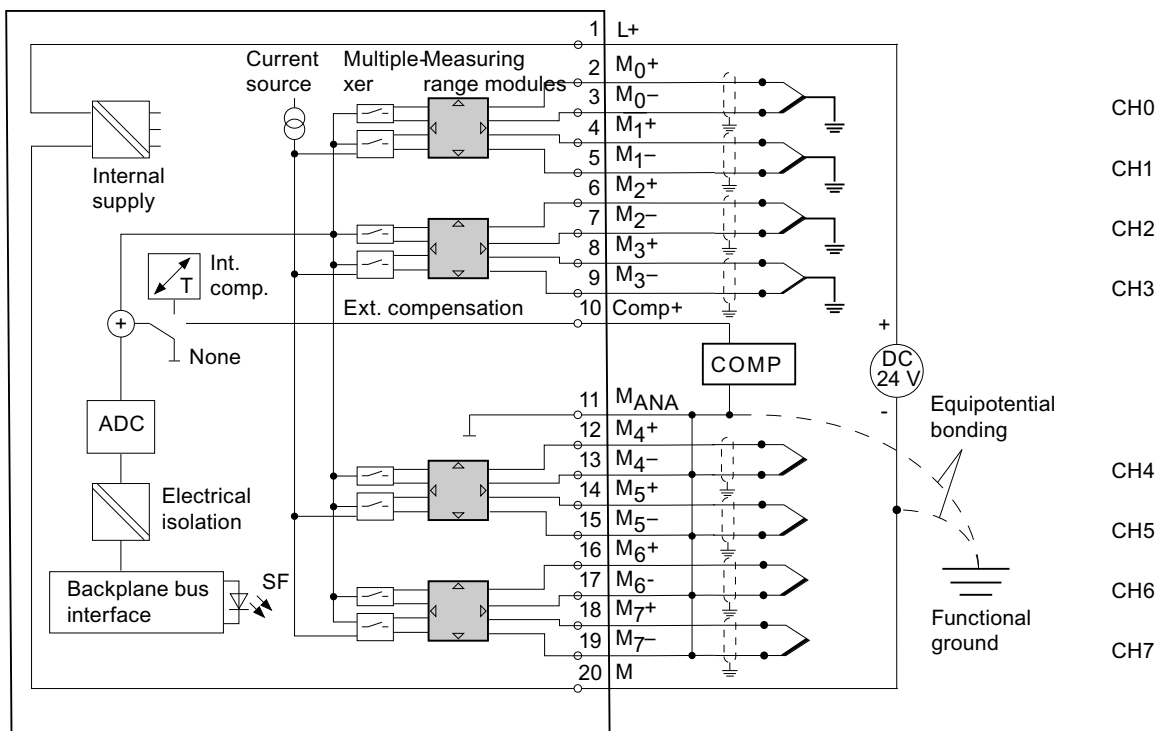


Figure 6-16 Block diagram and wiring diagram

## Measuring range module settings

Measuring range		Measuring range module setting
Thermocouple TC-I (internal comparison) (thermal voltage measurement) Linearization is ignored	Type N [NiCrSi-NiSi] Type E [NiCr-CuNi] Type J [Fe-CuNi] Type K [NiCr-Ni] Type L [Fe-CuNi]	A
Thermocouple TC-E (external comparison) (thermo-voltage measurement) Linearization is ignored		
Thermocouple (linear, internal comparison) (temperature measurement) TC-IL	Type N [NiCrSi-NiSi] Type E [NiCr-CuNi] Type J [Fe-CuNi] Type K [NiCr-Ni] Type L [Fe-CuNi]	A
Thermocouple (linear, external comparison) (temperature measurement) TC-EL		

## NOTE

- An interconnection of M- and M<sub>ANA</sub> is prohibited when using grounded thermocouples. In this case, you must ensure that low-resistance equipotential bonding is in place so that the permitted common-mode voltage is not exceeded.
- Interconnect M- and M<sub>ANA</sub> when using non-grounded thermocouples

## Technical specifications

Technical specifications	
<b>Dimensions and weight</b>	
Dimensions W x H x D (mm)	40 x 125 x 117
Weight	approx. 250 g
<b>Module-specific data</b>	
Supports isochronous mode	No
Number of inputs	8
• with resistive transducers	4
Cable length	max. 200 m
• shielded	max. 50 m at 80 mV and with thermocouples
<b>Voltages, currents, electrical potentials</b>	
Rated electronics supply voltage L +	24 V DC
• Reverse polarity protection	Yes
Transducer power supply	
• Supply current	max. 60 mA (per channel)
• short circuit-proof	Yes
Constant current for resistive transducers	typ. 1.67 mA (pulsed)

Technical specifications				
Electrical isolation				
<ul style="list-style-type: none"> <li>between channels and the backplane bus</li> <li>between channels and electronics power supply <ul style="list-style-type: none"> <li>Not for 2-wire transducers</li> </ul> </li> </ul>	Yes Yes			
Maximum potential difference				
<ul style="list-style-type: none"> <li>between inputs and <math>M_{ANA}</math> (<math>V_{CM}</math>) <ul style="list-style-type: none"> <li>at signal = 0 V</li> </ul> </li> <li>between inputs (<math>V_{CM}</math>)</li> </ul>	typ. 2.5 V DC (> 2.3 V DC) typ. 2.5 V DC (> 2.3 V DC)			
Isolation test voltage	500 V DC			
Current consumption				
<ul style="list-style-type: none"> <li>from the backplane bus</li> <li>from load voltage L+</li> </ul>	max. 50 mA max. 30 mA (without 2-wire transducer)			
Power loss of the module	typ. 1 W			
Generation of analog values				
Measuring principle	Integrating			
Integration/conversion time/resolution (per channel)				
<ul style="list-style-type: none"> <li>programmable</li> </ul>	Yes			
<ul style="list-style-type: none"> <li>Integration time in ms</li> </ul>	2.5	$16^2/3$	20	100
<ul style="list-style-type: none"> <li>Basic conversion time, including the integration time in ms</li> </ul>	3	17	22	102
Additional conversion time for resistance measurement, in ms or	1	1	1	1
additional conversion time for wire-break monitoring in ms or	10	10	10	10
additional conversion time for resistance measurements and wire-break monitoring in ms	16	16	16	16
<ul style="list-style-type: none"> <li>Resolution in bits (including overrange)</li> </ul>	9 bits	12 bits	12 bits	14 bits
<ul style="list-style-type: none"> <li>Interference frequency suppression at interference frequency <math>f_1</math> in Hz</li> </ul>	400	60	50	10
<ul style="list-style-type: none"> <li>Basic execution time of the module in ms (all channels enabled)</li> </ul>	24	136	176	816
Measured value smoothing	none			
Interference frequency suppression, error limits				
Interference frequency suppression at $F = n$ ( $f_1 \pm 1\%$ ), ( $f_1$ = interference frequency)				
<ul style="list-style-type: none"> <li>Common mode interference (<math>V_{CM} &lt; 2.5</math> V)</li> <li>Seriesmode interference (peak interference value &lt; rated input range)</li> </ul>	> 70 dB > 40 dB			
Crosstalk between inputs	> 50 dB			
Operational limit (across entire temperature range, relative to the measurement range end value in the selected input range)				
<ul style="list-style-type: none"> <li>Voltage input</li> </ul>	80 mV 250 mV to 1,000 mV 2.5 V to 10 V	$\pm 1\%$ $\pm 0.6\%$ $\pm 0.8\%$		
<ul style="list-style-type: none"> <li>Current input</li> </ul>	3.2 mA to 20 mA	$\pm 0.7\%$		
<ul style="list-style-type: none"> <li>Resistance</li> </ul>	150 $\Omega$ ; 300 $\Omega$ ; 600 $\Omega$	$\pm 0.7\%$		

Technical specifications		
• Thermocouple	Types E, N, J, K, L	± 1.1 %
• Resistance thermometer	Pt 100/Ni 100	± 0.7 %
	Pt 100 Klima	± 0.8 %
Basic error limit (operational limit at 25 °C, relative to the measurement range end value in the selected input range)		
• Voltage input	80 mV 250 mV to 1,000 mV 2.5 V to 10 V	± 0.7 % ± 0.4 % ± 0.6 %
• Current input	3.2 mA to 20 mA	± 0.5 %
• Resistance	150 Ω; 300 Ω; 600 Ω	± 0.5 %
• Thermocouple	Types E, N, J, K, L	± 0.7 %
• Resistance thermometer	Pt 100/Ni 100	± 0.5 %
	Pt 100 Klima	± 0.6 %
Temperature error (relative to input range)	± 0.005%/K	
Linearity error (relative to input range)	± 0.05 %	
Repeat accuracy (in settled state at 25 °C, relative to input range)	± 0.05 %	
Temperature error of internal compensation	± 1 %	
Status, interrupts, diagnostics		
Interrupts • Limit interrupt • Diagnostic interrupt	programmable Channels 0 and 2 programmable	
Diagnostic functions • Group error display • Reading diagnostics information	programmable red LED (SF) supported	
Encoder selection data		
Input ranges (rated values) / input impedance		
• Voltage	± 80 mV ± 250 mV ± 500 mV ± 1,000 mV ± 2.5 V ± 5 V 1 V to 5 V ± 10 V	10 MΩ 10 MΩ 10 MΩ 10 MΩ 100 kΩ 100 kΩ 100 kΩ 100 kΩ
• Current	± 3.2 mA ± 10 mA ± 20 mA 0 mA to 20 mA 4 mA to 20 mA	25 Ω 25 Ω 25 Ω 25 Ω 25 Ω
• Resistance	150 Ω 300 Ω 600 Ω	10 MΩ 10 MΩ 10 MΩ
• Thermocouples	Types E, N, J, K, L	10 MΩ
• Resistance thermometer	Pt 100, Ni 100	10 MΩ



Technical specifications	
Maximum voltage at voltage input (destruction limit)	max. 20 V, continuous 75 V for the duration of max. 1 s (duty factor 1:20)
Maximum current at current input (destruction limit)	40 mA
Wiring of the signal transmitters	using a 20-pin front connector
<ul style="list-style-type: none"> <li>for voltage measurement</li> </ul>	supported
<ul style="list-style-type: none"> <li>for current measurement</li> </ul> as 2-wire transducer as 4-wire transducer	supported supported
<ul style="list-style-type: none"> <li>For thermoresistor/resistance measurement with 2-wire connection</li> </ul>	Supported, cable resistances are not compensated
with 3-wire connection	Supported, cable resistances are not compensated
with 4-wire connection	Supported, cable resistances are compensated
<ul style="list-style-type: none"> <li>Load of the 2-wire transducer</li> </ul>	max. 820 Ω
Characteristics linearization <ul style="list-style-type: none"> <li>for thermocouples</li> </ul>	programmable Types E, N, J, K, L
<ul style="list-style-type: none"> <li>for resistance thermometers</li> </ul>	Pt 100 (Standard and Klima range) Ni 100 (Standard and Klima range)
Temperature compensation <ul style="list-style-type: none"> <li>Internal temperature compensation</li> </ul>	programmable supported
<ul style="list-style-type: none"> <li>External temperature compensation with compensating box</li> </ul>	supported
<ul style="list-style-type: none"> <li>Compensation for 0 °C reference junction temperature</li> </ul>	supported
<ul style="list-style-type: none"> <li>Technical unit of temperature measurement</li> </ul>	degrees Centigrade

**See also**

[Diagnostics messages of analog input modules \(Page 246\)](#)

**6.7.2 Measurement types and ranges****Introduction**

Module SM 331; AI 8 x 12 Bit has measuring range modules

The measurement type and range is configured at the "measuring range" parameter in *STEP 7*.

The default setting of the module is "voltage" measurement with "± 10V" range. You can use these default settings without having to program the SM 331; AI 8 x 12 Bit in *STEP 7*.

**Measuring range modules**

You may have to change the position of the measuring range modules to suit the measurement type and range (see the chapter *Setting the measuring types and ranges of analog input channels*). The necessary settings are also available on the module's imprint. Mark the position of the measuring range module on the front door (see figure).

Range:

A	B
C	D

### Measurement types and ranges

Table 6-18 Measurement types and ranges

Selected type of measurement	Measuring range (type of sensor)	Measuring range module settings
Voltage V	± 80 mV ± 250 mV ± 500 mV ± 1000 mV	A
	± 2.5 V ± 5 V 1 V to 5 V ± 10 V	B
Thermocouple TC-I (internal comparison) (thermal voltage measurement) Linearization is ignored	Type N [NiCrSi-NiSi] Type E [NiCr-CuNi] Type J [Fe-CuNi] Type K [NiCr-Ni] Type L [Fe-CuNi]	A
Thermocouple TC-E (external comparison) (thermovoltage measurement) Linearization is ignored		
Thermocouple (linear, internal comparison) (temperature measurement) TC-IL	Type N [NiCrSi-NiSi] Type E [NiCr-CuNi] Type J [Fe-CuNi] Type K [NiCr-Ni] Type L [Fe-CuNi]	A
Thermocouple (linear, external comparison) (temperature measurement) TC-EL		
Current (2-wire transducer) 2DMU	4 mA to 20 mA	D
Current (4-wire transducer) 4DMU	± 3.2 mA ± 10 mA 0 mA to 20 mA 4 mA to 20 mA ± 20 mA	C
Resistance (4-wire connection) R-4L	150 Ω 300 Ω 600 Ω	A
Thermoresistor (linear, 4-wire connection) (temperature measurement) RTD-4L	Pt 100 Klima Ni 100 Klima Pt 100 Standard Ni 100 Standard	A

### Channel groups

The channels of SM 331; AI 8 x 12 Bit are arranged in four groups of two channels. You can assign parameters only to one channel group.

SM 331; AI 8 x 12 Bit is equipped with one measuring range module per channel group.

The table below shows the relevant configuration of channel groups. The channel group number is required to program SFC parameters in the user program.

Table 6-19 Assignment of SM 331; AI 8x12 bit channels to channel groups

Channels ...	...form one channel group each
Channel 0	Channel group 0
Channel 1	
Channel 2	Channel group 1
Channel 3	
Channel 4	Channel group 2
Channel 5	
Channel 6	Channel group 3
Channel 7	

### See also

[Programming analog modules \(Page 244\)](#)

[Diagnostics messages of analog input modules \(Page 246\)](#)

## 6.7.3 Programmable parameters

### Introduction

For information on programming analog modules, refer to the chapter Programming analog modules [\(Page 244\)](#).

### Parameters

Table 6-20 Overview of the parameters for SM 331; AI 8 x 12 Bit

Parameters	Range of values	Default	Parameter type	Scope
Enable <ul style="list-style-type: none"> <li>• Diagnostics interrupt</li> <li>• Process interrupt when limit exceeded</li> </ul>	yes/no yes/no	no no	dynamic	Module
Process interrupt trigger <ul style="list-style-type: none"> <li>• High limit</li> <li>• Low limit</li> </ul>	May be restricted by the measuring range from 32511 to - 32512 from - 32512 to 32511	-	dynamic	Channel
Diagnostics <ul style="list-style-type: none"> <li>• Group diagnostics</li> <li>• with line continuity check</li> </ul>	yes/no yes/no	no no	static	Channel group
Measurement <ul style="list-style-type: none"> <li>• Measurement type</li> </ul>	disabled Voltage V 4DMU current (4-wire transducer) 2DMU current (2-wire transducer) R-4L resistance (4-wire connection) RTD-4L thermoresistor (linear, 4-wire connection)	V		

Parameters	Range of values	Default	Parameter type	Scope
	TC-I thermocouple (internal comparison) TC-E thermocouple (external comparison) TC-IL thermocouple (internal comparison) TC-EL thermocouple (linear, external comparison)		dynamic	Channel or channel group
• Measuring range	See the table <i>Measurement types and ranges</i>	$\pm 10$ V		
• Noise suppression	400 Hz; 60 Hz; 50 Hz; 10 Hz	50 Hz		

## 6.7.4 Additional information on SM 331; AI 8 x 12 Bit

### Unused channels

As certain programmed inputs may remain unused due to the channel group configuration, make allowances for the special features of these inputs outlined below in order to be able to use the diagnostics functions at these used channels:

- **Voltage measurement (except 1 V to 5V)** and for thermocouples: Short-circuit unused channels and connect these with  $M_{ANA}$ . This optimizes interference immunity of the analog input module. Set the "disabled" value at the "measurement type" parameter for unused channels. This setting reduces module cycle times. Also short-circuit the COMP input if this is not used.
- **Measuring range 1 V to 5 V:** wire the used and unused inputs of the same channel group in parallel.
- **Current measurement, 2-wire transducer:** There are two options of wiring the channel circuit.
  - a) Open unused input; channel group diagnostics disabled. If you were to enable diagnostics, the analog module would trigger a single diagnostic interrupt, and light up its SF LED.
  - b) Loading the unused input using a 1.5 k $\Omega$  to 3.3 k $\Omega$  resistor. This allows you to enable diagnostics for this channel group.
- **Current measurement 4 mA to 20 mA, 4-wire transducer:** wire the unused inputs of the same channel group in series.

### All channels deactivated

If you disable **all** input channels of the module and enable diagnostics at the parameters of SM 331; AI 8 x 12 Bit, the module does **not** report "external auxiliary voltage missing."

### Line continuity check for the 4 mA to 20 mA measuring range

If you configured a measuring range of 4 mA to 20 mA, and **enabled the line continuity check**, the analog input module logs a wire-break event to diagnostics data when the current drops below 3.6 mA.

The module also triggers a diagnostics interrupt if this function is enabled in the program.

A wire break can only be signaled by means of the lit SF LED and the diagnostic bytes must be evaluated in the user program if diagnostics interrupts are disabled.

If you configured a measuring range of 4 mA to 20 mA, **disabled** the line continuity check, and enabled diagnostic interrupts, the module triggers a diagnostic interrupt when the underflow value is reached.

### Line continuity check

The line continuity check is designed only for temperature measurements (thermocouples and thermoresistors.)

### See also

[Representation of the values for analog input channels \(Page 218\)](#)

## 6.8 Analog input module SM 331; AI 2 x 12 Bit; (6ES7331-7KB02-0AB0)

### 6.8.1 Analog input module SM 331; AI 2 x 12-bit; (6ES7331-7KB02-0AB0)

#### Order number: "Standard module"

6ES7331-7KB02-0AB0

#### Order number: "SIPLUS S7-300 module"

6AG1331-7KB02-2AB0

### Properties

- Two inputs in one channel group
- Programmable measurement type for each channel group
  - Voltage
  - Current
  - Resistance
  - Temperature
- Programmable resolution at each channel group (9/12/14 bits + sign)
- Any measuring range selection per channel group
- Programmable diagnostics and diagnostic interrupt
- Programmable limit value monitoring for one channel
- Programmable hardware interrupt when limit is exceeded
- Electrically isolated from the CPU and load voltage (not for 2DMU)

### Resolution

The measured value resolution is directly proportional to the selected integration time, that is, the measured value resolution increases in proportion to length of the integration time at the analog input channel.

### Diagnostics

For information on diagnostics messages at the "group diagnostics" parameter, refer to chapter Diagnostic messages of analog input modules.

### Hardware interrupts

Hardware interrupts for channel groups can be programmed in *STEP 7*. However, set a hardware interrupt only for the first channel of a channel group, that is channel 0.

### Terminal assignment

The diagrams below show various wiring options. The input impedance depends on programmed measuring range.

### Wiring: Voltage measurement

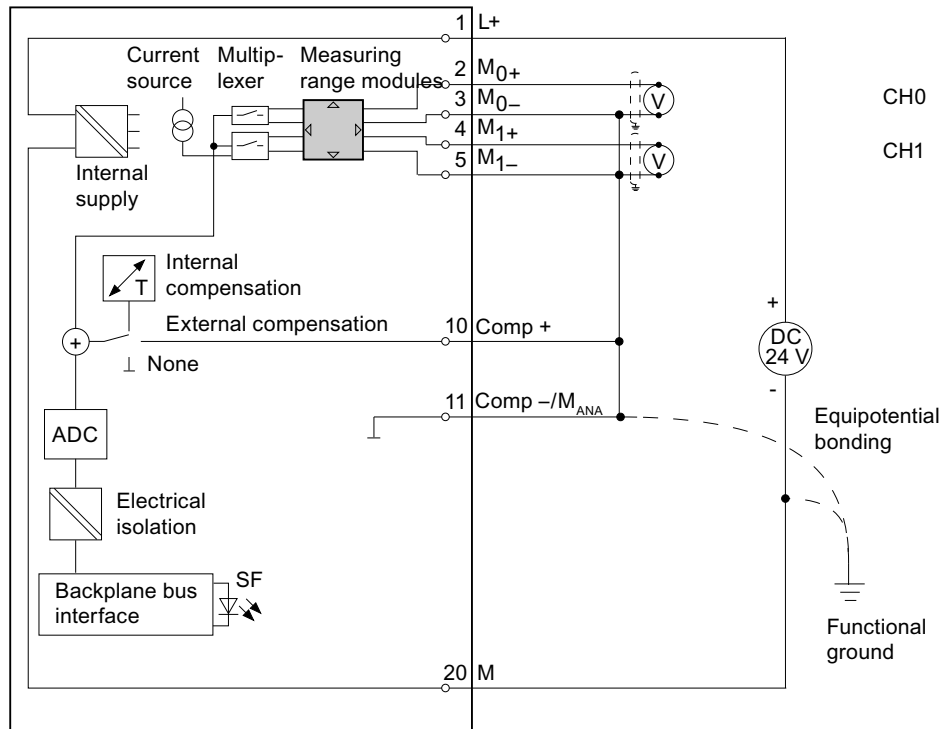


Figure 6-17 Wiring and block diagram

### Measuring range module settings

Measuring range	Measuring range module setting
$\pm 80 \text{ mV}$ $\pm 250 \text{ mV}$ $\pm 500 \text{ mV}$ $\pm 1,000 \text{ mV}$	A
$\pm 2.5 \text{ V}$ $\pm 5 \text{ V}$ $1 \text{ V to } 5 \text{ V}$ $\pm 10 \text{ V}$	B

### Wiring: Thermocouple with external compensation

Insert a bridge between Comp+ and M<sub>ANA</sub> when using the internal compensation.

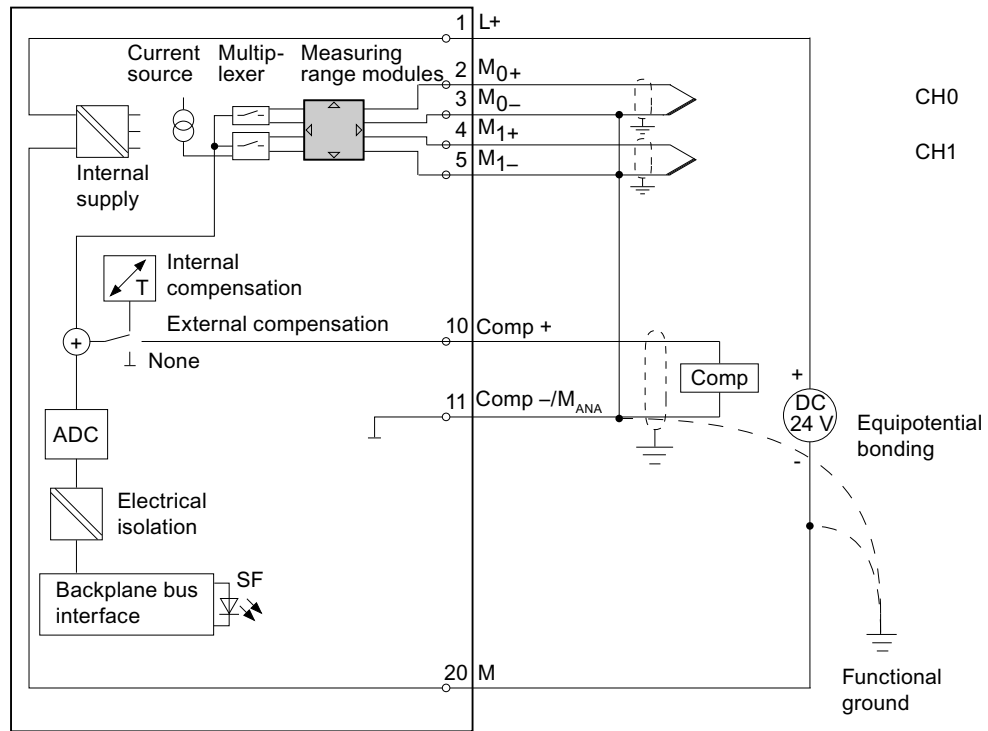
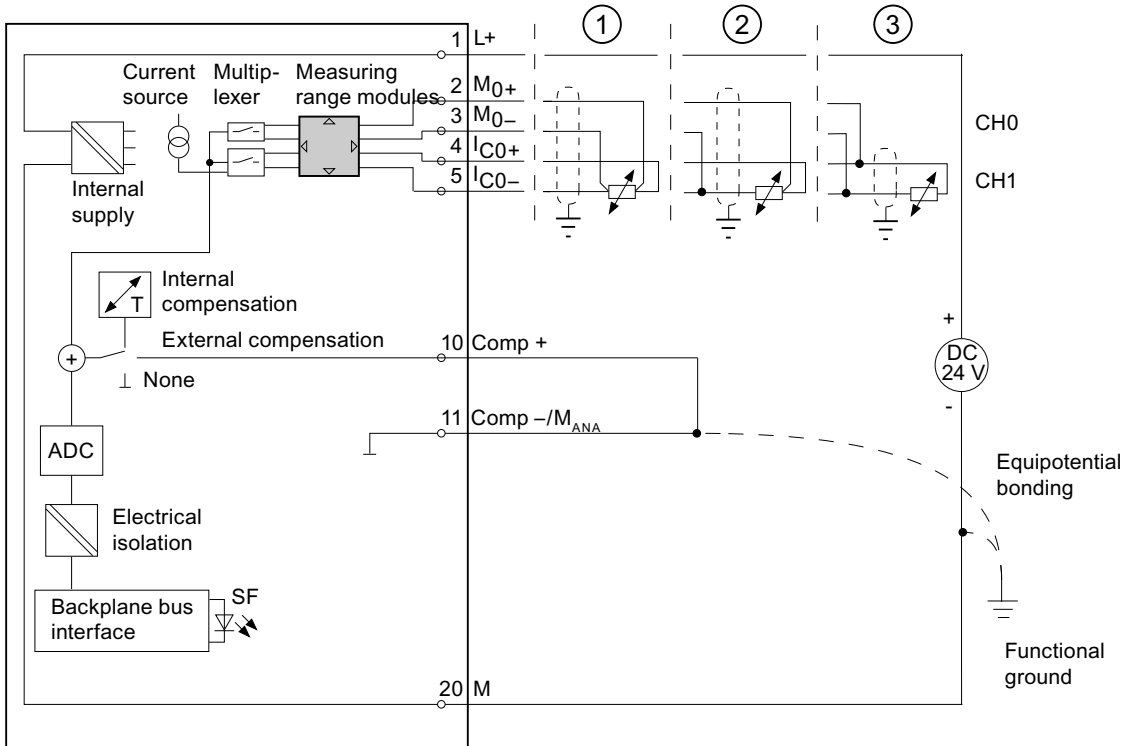


Figure 6-18 Wiring and block diagram

### Measuring range module settings

Measuring range		Measuring range module setting
TC-I: Thermocouple (internal comparison) (thermal voltage measurement)	Type N [NiCrSi-NiSi] Type E [NiCr-CuNi] Type J [Fe-CuNi] Type K [NiCr-Ni] Type L [Fe-CuNi]	A
TC-E: Thermocouples (external comparison) (thermovoltage measurement)	Type N [NiCrSi-NiSi] Type E [NiCr-CuNi] Type J [Fe-CuNi] Type K [NiCr-Ni] Type L [Fe-CuNi]	A
TC-IL: Thermocouples (linear, internal comparison) (temperature measurement)	Type N [NiCrSi-NiSi] Type E [NiCr-CuNi] Type J [Fe-CuNi] Type K [NiCr-Ni] Type L [Fe-CuNi]	A
TC-EL: Thermocouples (linear, external comparison) (temperature measurement)	Type N [NiCrSi-NiSi] Type E [NiCr-CuNi] Type J [Fe-CuNi] Type K [NiCr-Ni] Type L [Fe-CuNi]	A

**Wiring: 2-, 3- and 4-wire connection of resistance transducers or thermoresistors**



- ① 4-wire connection
- ② 3-wire connection, no compensation for line resistors
- ③ 2-wire connection, no compensation for line resistors

Figure 6-19 Wiring and block diagram

**Measuring range module settings**

Measuring range		Measuring range module setting
150 Ω 300 Ω 600 Ω		A
RTD-4L: Thermal resistance (linear, 4-wire connection) (temperature measurement)	Pt 100 Klima Ni 100 Klima Pt 100 Standard Ni 100 Standard	A

**NOTE**

"Resistance measurement" is only available at one channel per group. The "2nd" channel of the group is used accordingly for current measuring mode (I<sub>C</sub>).

The "1st" returns the measured value. The "2nd" channel of the group is assigned the default overflow value "7FFF<sub>H</sub>."



### Wiring: 2-wire and 4-wire transducers for current measurement

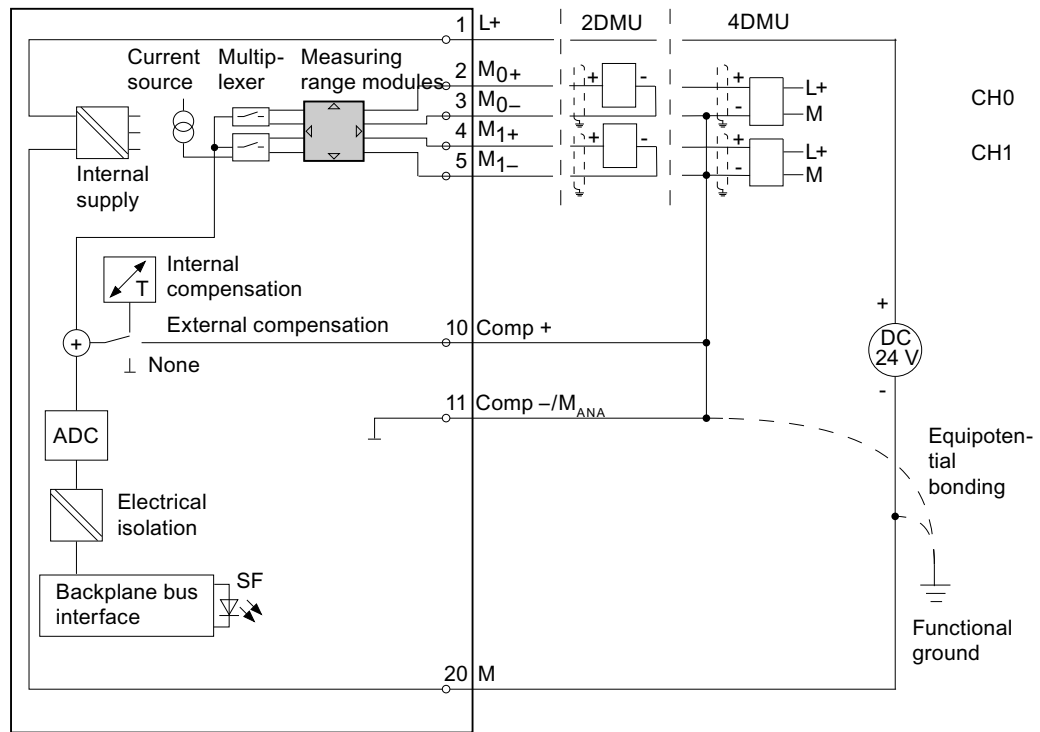


Figure 6-20 Wiring and block diagram

### Measuring range module settings

Measuring range		Measuring range module setting
2-wire transducer	4 mA to 20 mA	D
4-wire transducer	± 3.2 mA ± 10 mA 0 mA to 20 mA 4 mA to 20 mA ± 20 mA	C

**CAUTION**

**Measuring range module in "Current" position**  
 If "current" measuring mode is set, any voltage measurement will destroy the measuring range module.

### Technical specifications

Technical specifications	
<b>Dimensions and weight</b>	
Dimensions W x H x D (mm)	40 x 125 x 117
Weight	approx. 250 g

Technical specifications				
<b>Module-specific data</b>				
Supports isochronous mode	No			
Number of inputs	2			
• with resistive transducers	1			
Cable length	max. 200 m			
• shielded	max. 50 m at 80 mV and with thermocouples			
<b>Voltages, currents, electrical potentials</b>				
Rated electronics supply voltage L +	24 V DC			
• Reverse polarity protection	Yes			
Transducer power supply	max. 60 mA (per channel)			
• Supply current	Yes			
• short circuit-proof				
Constant current for resistive transducers	typ. 1.67 mA (pulsed)			
Electrical isolation	Yes			
• between channels and the backplane bus	Yes			
• between channels and electronics power supply				
– Not for 2-wire transducers				
Maximum potential difference	typ. 2.5 V DC (> 2.3 V DC)			
• between inputs and M <sub>ANA</sub> (V <sub>CM</sub> )				
– at signal = 0 V	typ. 2.5 V DC (> 2.3 V DC)			
• between inputs (V <sub>CM</sub> )				
Isolation test voltage	500 V DC			
Current consumption	max. 50 mA			
• from the backplane bus	max. 30 mA (without 2-wire transducer)			
• from load voltage L+				
Power loss of the module	typ. 1 W			
<b>Generation of analog values</b>				
Measuring principle	Integrating			
Integration/conversion time/resolution (per channel)				
• programmable	Yes			
• Integration time in ms	2.5	16 <sup>2</sup> / <sub>3</sub>	20	100
• Basic conversion time, including the integration time in ms	3	17	22	102
Additional conversion time for resistance measurement, in ms or	1	1	1	1
additional conversion time for wire-break monitoring in ms or	10	10	10	10
additional conversion time for resistance measurements <b>and</b> wire-break monitoring in ms	16	16	16	16
• Resolution in bits (including overshoot range)	9 bits	12 bits	12 bits	14 bits
• Interference frequency suppression at interference frequency f1 in Hz	400	60	50	10
• Basic execution time of the module in ms (all channels enabled)	6	34	44	204

## 6.8 Analog input module SM 331; AI 2 x 12 Bit; (6ES7331-7KB02-0AB0)

Technical specifications		
Measured value smoothing	none	
Interference frequency suppression, error limits		
Interference frequency suppression at $f = n$ ( $f_1 \pm 1\%$ ), ( $f_1 =$ interference frequency) $n=1.2\dots$		
<ul style="list-style-type: none"> <li>Common mode interference (<math>V_{CM} &lt; 2.5</math> V)</li> <li>Seriesmode interference (peak interference value &lt; rated input range)</li> </ul>	> 70 dB > 40 dB	
Crosstalk between inputs	> 50 dB	
Operational limit (across entire temperature range, relative to the measurement range end value of the selected input range)		
<ul style="list-style-type: none"> <li>Voltage input</li> </ul>	80 mV 250 mV to 1,000 mV 2.5 V to 10 V	$\pm 1\%$ $\pm 0.6\%$ $\pm 0.8\%$
<ul style="list-style-type: none"> <li>Current input</li> </ul>	3.2 mA to 20 mA	$\pm 0.7\%$
<ul style="list-style-type: none"> <li>Resistance</li> </ul>	150 $\Omega$ ; 300 $\Omega$ ; 600 $\Omega$	$\pm 0.7\%$
<ul style="list-style-type: none"> <li>Thermocouple</li> </ul>	Types E, N, J, K, L	$\pm 1.1\%$
<ul style="list-style-type: none"> <li>Resistance thermometer</li> </ul>	Pt 100/Ni 100	$\pm 0.7\%$
	Pt 100 Klima	$\pm 0.8\%$
Basic error limit (operational limit at 25 °C, relative to the measurement range end value in the selected input range)		
<ul style="list-style-type: none"> <li>Voltage input</li> </ul>	80 mV 250 mV to 1,000 mV 2.5 V to 10 V	$\pm 0.6\%$ $\pm 0.4\%$ $\pm 0.6\%$
<ul style="list-style-type: none"> <li>Current input</li> </ul>	3.2 mA to 20 mA	$\pm 0.5\%$
<ul style="list-style-type: none"> <li>Resistance</li> </ul>	150 $\Omega$ ; 300 $\Omega$ ; 600 $\Omega$	$\pm 0.5\%$
<ul style="list-style-type: none"> <li>Thermocouple</li> </ul>	Types E, N, J, K, L	$\pm 0.7\%$
<ul style="list-style-type: none"> <li>Resistance thermometer</li> </ul>	Pt 100/Ni 100	$\pm 0.5\%$
	Pt 100 Klima	$\pm 0.6\%$
Temperature error (relative to input range)	$\pm 0.005\%/K$	
Linearity error (relative to input range)	$\pm 0.05\%$	
Repeat accuracy (in settled state at 25°C, relative to input range)	$\pm 0.05\%$	
Temperature error of internal compensation	$\pm 1\%$	
Status, interrupts, diagnostics		
Interrupts <ul style="list-style-type: none"> <li>Limit interrupt</li> <li>Diagnostic interrupt</li> </ul>	programmable Channels 0 programmable	
Diagnostic functions <ul style="list-style-type: none"> <li>Group error display</li> <li>Reading diagnostics information</li> </ul>	programmable red LED (SF) supported	
Encoder selection data		
Input ranges (rated values) / input impedance		

Technical specifications		
• Voltage	± 80 mV ± 250 mV ± 500 mV ± 1,000 mV ± 2.5 V ± 5 V 1 V to 5 V ± 10 V	10 MΩ 10 MΩ 10 MΩ 10 MΩ 100 kΩ 100 kΩ 100 kΩ 100 kΩ
• Current	± 3.2 mA ± 10 mA ± 20 mA 0 mA to 20 mA 4 mA to 20 mA	25 Ω 25 Ω 25 Ω 25 Ω 25 Ω
• Resistance	150 Ω 300 Ω 600 Ω	10 MΩ 10 MΩ 10 MΩ
• Thermocouples	Types E, N, J, K, L	10 MΩ
• Resistance thermometer	Pt 100, Ni 100	10 MΩ
Maximum voltage at voltage input (destruction limit)	max. 20 V continuous; 75 V for the duration of max. 1 s (duty factor 1:20)	
Maximum current at current input (destruction limit)	40 mA	
Wiring of the signal transmitters	using a 20-pin front connector	
• for voltage measurement	supported	
• for current measurement as 2-wire transducer as 4-wire transducer	supported supported	
• For thermoresistor/resistance measurement With 2-wire connection With 3-wire connection With 4-wire connection	Supported, cable resistances are not compensated Supported, cable resistances are not compensated Supported, cable resistances are compensated	
• Load of the 2-wire transducer	max. 820 Ω	
Characteristics linearization • for thermocouples • for resistance thermometers	programmable Types E, N, J, K, L Pt 100 (Standard and Klima range) Ni 100 (Standard and Klima range)	
Temperature compensation • Internal temperature compensation • External temperature compensation with compensating box • Compensation for 0 °C reference junction temperature • Technical unit of temperature measurement	programmable supported supported supported degrees Centigrade	

See also

[Causes of error and troubleshooting at analog input modules \(Page 246\)](#)

## 6.8.2 Measurement types and measuring ranges

### Introduction

SM 331; AI 2 x 12 Bit is equipped with a measuring range module. The measurement type and range is configured at the "measuring range" parameter in *STEP 7*. You can use the default "voltage" measurement type and " $\pm 10$  V range without having to program the SM 331; AI 2 x 12 Bit in *STEP 7*.

### Measuring range module

Change the position of the measuring range module to set the measurement type and range (see the chapter *Setting the measurement types and ranges of analog input channels*). The necessary settings are also available on the module's imprint. Mark the position of the measuring range module on the front door (see figure).

Range:

A	B
C	D

Table 6-21 Measurement types and ranges

Selected type of measurement	Measuring range (type of sensor)	Measuring range module settings
V: Voltage	$\pm 80$ mV $\pm 250$ mV $\pm 500$ mV $\pm 1000$ mV	A
	$\pm 2.5$ V $\pm 5$ V 1 V to 5 V $\pm 10$ V	B
TC-I: Thermocouple (internal comparison) (thermal voltage measurement)	Type N [NiCrSi-NiSi] Type E [NiCr-CuNi] Type J [Fe-CuNi] Type K [NiCr-Ni] Type L [Fe-CuNi]	A
TC-E: Thermocouples (external comparison) (thermal voltage measurement)		
2DMU: Current (2-wire transducer)	4 mA to 20 mA	D
4DMU: Current (4-wire transducer)	$\pm 3.2$ mA $\pm 10$ mA 0 mA to 20 mA 4 mA to 20 mA $\pm 20$ mA	C
R-4L: Resistance (4-wire connection)	150 $\Omega$ 300 $\Omega$ 600 $\Omega$	A

Selected type of measurement	Measuring range (type of sensor)	Measuring range module settings
TC-IL: Thermocouples (linear, internal comparison) (temperature measurement)	Type N [NiCrSi-NiSi] Type E [NiCr-CuNi] Type J [Fe-CuNi] Type K [NiCr-Ni] Type L [Fe-CuNi]	A
TC-EL: Thermocouples (linear, external comparison) (temperature measurement)	Type N [NiCrSi-NiSi] Type E [NiCr-CuNi] Type J [Fe-CuNi] Type K [NiCr-Ni] Type L [Fe-CuNi]	A
RTD-4L: Thermal resistance (linear, 4-wire connection) (temperature measurement)	Pt 100 Klima Ni 100 Klima Pt 100 Standard Ni 100 Standard	A

### Channel groups

The two channels of SM 331; AI 2 x 12 Bit form a channel group. You can assign parameters only to one channel group.

SM 331; AI 2 x 12 Bit is equipped with a measuring range module for channel group 0.

### Line continuity check

The line continuity check is designed only for temperature measurements (thermocouples and thermoresistors.)

### Special features of the line continuity check for the 4 mA to 20 mA measuring range

If you configured a measuring range of 4 mA to 20 mA, and **enabled the line continuity check**, the analog input module logs a wire-break event to diagnostics data when the current drops below 3.6 mA.

The module also triggers a diagnostics interrupt if this function is enabled in the program.

A wire break can only be signaled by means of the lit SF LED and the diagnostic bytes must be evaluated in the user program if diagnostics interrupts are disabled.

If you configured a measuring range of 4 mA to 20 mA, **disabled** the line continuity check, and enabled diagnostic interrupts, the module triggers a diagnostic interrupt when the underflow value is reached.

## 6.8.3 Programmable parameters

### Introduction

For general information on programming analog modules, refer to the chapter Programming analog modules [\(Page 244\)](#).

## Parameters

Table 6-22 Overview of the parameters of SM 331; AI 2 x 12 Bit

Parameters	Range of values	Default	Parameter type	Scope
Enable <ul style="list-style-type: none"> <li>• Diagnostics interrupt</li> <li>• Process interrupt when limit exceeded</li> </ul>	yes/no yes/no	no no	dynamic	Module
Process interrupt trigger <ul style="list-style-type: none"> <li>• High limit</li> <li>• Low limit</li> </ul>	32511 to -32512 from - 32512 to 32511	-	dynamic	Channel
Diagnostics <ul style="list-style-type: none"> <li>• Group diagnostics</li> <li>• with line continuity check</li> </ul>	yes/no yes/no	no no	static	Channel group
Measurement <ul style="list-style-type: none"> <li>• Measurement type</li> </ul>	disabled Voltage V 4DMU current (4-wire transducer) 2DMU current (2-wire transducer) R-4L resistance (4-wire connection) RTD-4L thermoresistor (linear, 4-wire connection) TC-I thermocouple (internal comparison) TC-E thermocouple (external comparison) TC-IL thermocouple (internal comparison) TC-EL thermocouple (linear, external comparison)	V	dynamic	Channel or channel group
<ul style="list-style-type: none"> <li>• Measuring range</li> </ul>	Refer to the chapter Measuring methods and ranges ( <a href="#">Page 312</a> ) for the adjustable measuring ranges of the input channels	± 10 V		
<ul style="list-style-type: none"> <li>• Noise suppression</li> </ul>	400 Hz; 60 Hz; 50 Hz; 10 Hz	50 Hz		

### See also

[Diagnostics messages of analog input modules \(Page 246\)](#)

## 6.8.4 Additional information on SM 331; AI 2 x 12 Bit

### Unused channels

Short-circuit unused channels and connect these with  $M_{ANA}$ . This optimizes interference immunity of the analog input module. Set the "disabled" value at the "measurement type" parameter for unused channels. This setting reduces module cycle times.

Also short-circuit the COMP input if this is not used.

As certain programmed inputs may remain unused due to the channel group configuration, make allowances for the special features of these inputs outlined below in order to be able to use the diagnostics functions at these used channels:

- **Measuring range 1 V to 5 V:** wire the used input and unused input of the same channel group in parallel.
- **Current measurement, 2-wire transducer:** There are two options of setting up the channel circuit:
  - a) Open unused input; channel group diagnostics disabled. The analog module would trigger a single diagnostics interrupt and set its SF LED if diagnostics is enabled.
  - b) Terminating the unused input using a 1.5 k $\Omega$  to 3.3 k $\Omega$  resistor. This allows you to enable diagnostics for this channel group.
- **Current measurement 4 mA to 20 mA, 4-wire transducer:** wire the used input and unused input of the same channel group in series.

### Line continuity check

The line continuity check is designed only for temperature measurements (thermocouples and thermoresistors.)

### Special features of the line continuity check for the 4 mA to 20 mA measuring range

If you configured a measuring range of 4 mA to 20 mA, and **enabled the line continuity check**, the analog input module logs a wire-break event to diagnostics data when the current drops below 3.6 mA.

The module also triggers a diagnostics interrupt if this function is enabled in the program.

A wire break can only be signaled by means of the lit SF LED and the diagnostic bytes must be evaluated in the user program if diagnostics interrupts are disabled.

If you configured a measuring range of 4 mA to 20 mA, **disabled the line continuity check** and enabled diagnostic interrupts, the module triggers a diagnostic interrupt when the underflow value is reached.

## 6.9 Analog input module SM 331; AI 8 x RTD; (6ES7331-7PF01-0AB0)

### 6.9.1 Analog input module SM 331; AI 8 x RTD (6ES7331-7PF01-0AB0)

#### Order number

6ES7331-7PF01-0AB0

#### Properties

- 8 inputs in 4 channel groups
- Measurement type programmable for each channel group
  - Resistor
  - Temperature
- Programmable resolution for each channel group (15 bits + sign)
- Measuring range selection for each channel group
- Configurable diagnostics and diagnostic interrupt
- Limit monitoring adjustable for 8 channels
- Hardware interrupt can be set for violation of the limit



- Fast measurement update for 4 channels
- Hardware interrupt can be set for end of scan cycle
- Potential-free from the CPU
- Supports the Configuration in RUN function

### Resolution

The resolution of measured values is independent of the selected integration time.

### Diagnostics

You can find the diagnostic messages grouped under the "Group diagnostics" parameter in the section Diagnostic messages of the analog input modules.

### Hardware interrupts

You can set hardware interrupts in STEP 7 for channel groups 0 and 1. However, set a hardware interrupt only for the first channel of a channel group, that is, either at channel 0, or at channel 2.

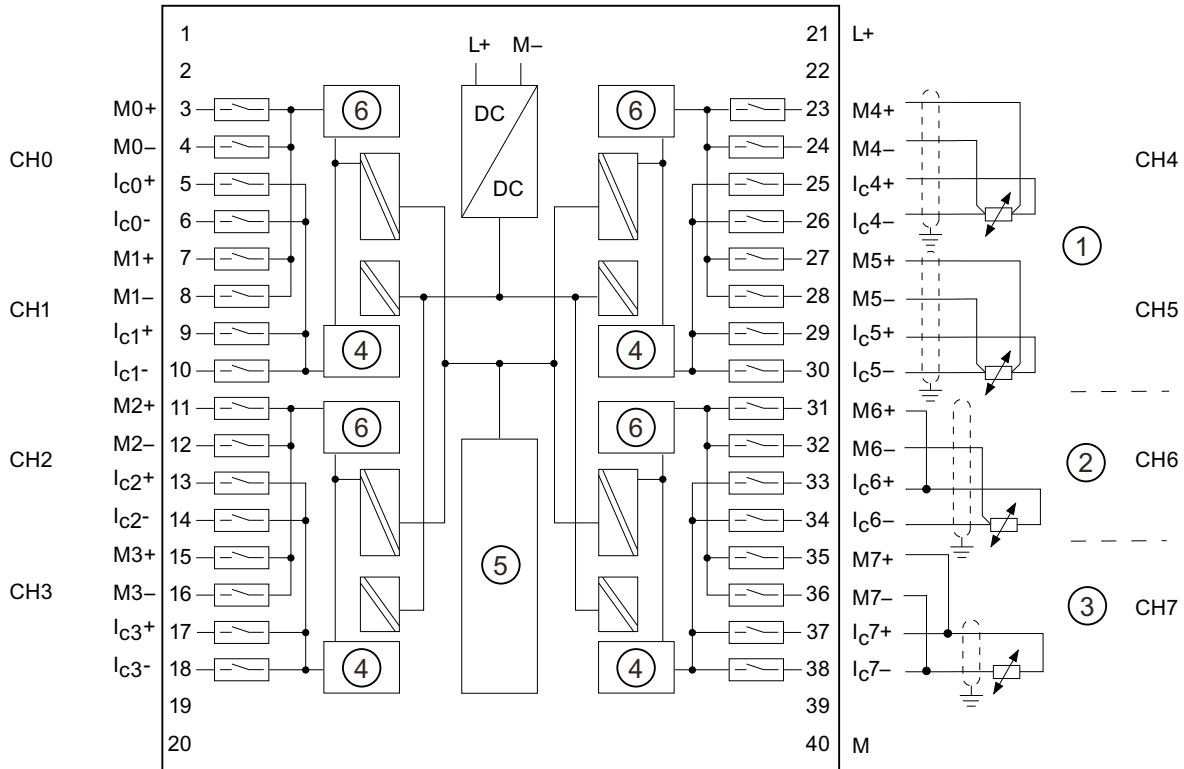
### Pin assignment

The figures below show the various connection options. These connection examples apply to all channels (channels 0 to 7).

 <b>CAUTION</b>
<b>Wiring</b> Incorrect wiring of the 3-wire connection can result in unpredictable operation of the module and dangerous conditions in the plant.

**Wiring: 2, 3 and 4-wire connection for resistance and thermal resistance measurement**

Connection possible at both sides to channels 0 to 7



- ① 4-wire connection
- ② 3-wire connection
- ③ 2-wire connection
- ④ Digital-analog converter
- ⑤ Backplane bus interface
- ⑥ Analog-to-digital converter (ADC)

Figure 6-21 Wiring and block diagram

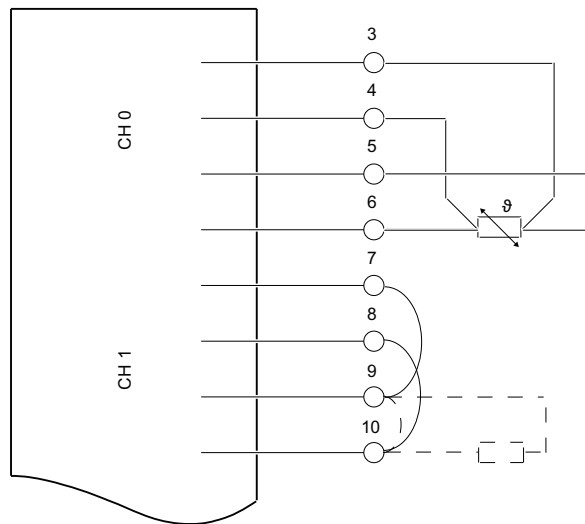


Figure 6-22 Unused channel

**NOTE**

- Always use channel n (in this case channel 0) for measurement
- Short-circuit unused channels (in this case channel 1) **or** connect them in order to avoid diagnostic results with a resistance of the rated range (eg. 100 ohms at Pt 100)

**CAUTION****Wiring**

Incorrect wiring of the 3-wire connection can result in unpredictable operation of the module and dangerous conditions in the plant.

**Wiring: 3-wire connection**

With a 3-wire connection to the SM 331; AI 8 x RTD, you need to set a **jumper between  $M_+$  and  $I_{C+}$** .

Always ensure that the connected  $I_C$  and  $M$  cables are directly to the resistance thermometer.

**Wiring: 2-wire connection**

With a 2-wire connection to the SM 331; AI 8 x RTD, you need to set a **jumper between  $M_+$  and  $I_{C+}$**  as well as  $M$  and  $I_{C-}$ .

There is no compensation of the line resistance with a 2-wire connection. The line resistances are also measured!

## Technical specifications

Technical specifications	
<b>Dimensions and weight</b>	
Dimensions W x H x D (mm)	40 x 125 x 117
Weight	approx. 272 g
<b>Module-specific data</b>	
Configuration in RUN possible	Yes
Behavior of the non-configured inputs	Provides the last valid process value before the parameter assignment
Supports isochronous operation	No
Number of inputs	8
Cable length <ul style="list-style-type: none"> <li>Shielded</li> </ul>	max. 200 m
<b>Voltages, currents, potentials</b>	
Supply voltage of the electronics L+ <ul style="list-style-type: none"> <li>Reverse polarity protection</li> </ul>	24 V DC Yes
Constant measurement current for resistance-type transmitter	max. 5 mA (pulsed)
Electrical isolation <ul style="list-style-type: none"> <li>Between channels and backplane bus</li> <li>between channels and electronics power supply</li> <li>Between the channels</li> </ul> In groups of	Yes Yes Yes 2
Insulation tested with	500 V DC
Current consumption <ul style="list-style-type: none"> <li>From backplane bus</li> <li>from supply voltage L+</li> </ul>	max. 100 mA max. 240 mA
Power loss of the module	typ. 4.6 W
<b>Analog value formation</b>	
Measuring principle	Integrating
Mode	<b>8-channel mode (hardware filter)</b>
Integration/conversion time/resolution (per channel) <ul style="list-style-type: none"> <li>Configurable</li> <li>Basic conversion time in ms</li> <li>Additional conversion time for resistance measurement in ms</li> <li>Additional conversion time for wire break monitoring in ms</li> <li>Resolution (including overrange)</li> <li>Interference voltage suppression at interference frequency f1 in Hz</li> </ul>	Yes 80 100* 0 16-bit (including sign) 400 / 60 / 50
Smoothing of the measured values	None/Weak/Medium/Strong
Conversion time (per channel)	100 ms
Basic execution time of the module (all channels enabled)	200 ms
Mode	<b>8-channel mode (software filter)</b>

Technical specifications	
Integration/conversion time/resolution (per channel) <ul style="list-style-type: none"> <li>Configurable</li> <li>Basic conversion time in ms</li> <li>Additional conversion time for resistance measurement in ms</li> <li>Additional conversion time for wire break monitoring in ms</li> <li>Resolution (including overrange)</li> <li>Interference voltage suppression at interference frequency f1 in Hz</li> </ul>	Yes 8 / 25 / 30 25/ 43/ 48* 0 16-bit (including sign) 400 / 60 / 50
Smoothing of the measured values	None/Weak/Medium/Strong
Conversion time (per channel)	25/ 43/ 48 ms
Basic execution time of the module (all channels enabled)	50/ 86/ 96 ms
Mode	<b>4-channel mode (hardware filter)</b>
Integration/conversion time/resolution (per channel) <ul style="list-style-type: none"> <li>Configurable</li> <li>Basic conversion time in ms</li> <li>Additional conversion time for resistance measurement in ms</li> <li>Additional conversion time for wire break monitoring in ms</li> <li>Resolution (including overrange)</li> <li>Interference voltage suppression at interference frequency f1 in Hz</li> </ul>	Yes 3.3**** 100* 100** 16-bit (including sign) 400 / 60 / 50
Smoothing of the measured values	None/Weak/Medium/Strong
Basic execution time of the module (all channels enabled)	10 ms
Interference suppression, error limits	
Interference voltage suppression for $f = n \times (f1 \pm 1 \%)$ , ( $f1 =$ interference frequency), $n = 1, 2$ , etc.	
<ul style="list-style-type: none"> <li>Common mode interference (<math>U_{CM} &lt; 60</math> V AC)</li> <li>Series-mode interference (peak value of the interference &lt; rated value of the input range)</li> </ul>	> 100 dB > 90 dB
Crosstalk between inputs	> 100 dB
Operational limit (within the entire temperature range, relative to the measuring range end value of the selected input range)	
<ul style="list-style-type: none"> <li>Resistance thermometer <ul style="list-style-type: none"> <li>Pt 50, Pt 100, Pt 200, Pt 500, Pt 1000, Ni 100, Ni 120, Ni 200, Ni 500, Ni 1000, LG-Ni 1000, Cu 50, Cu 100,</li> <li>Pt 10, Cu 10</li> </ul> </li> <li>Resistor</li> </ul>	$\pm 1.0$ °C $\pm 2.0$ °C $\pm 0.1$ %
Basic error limit (operational limit at 25 °C, in relation to measuring range full-scale value of the input range)	
<ul style="list-style-type: none"> <li>Resistance thermometer <ul style="list-style-type: none"> <li>Pt 50, Pt 100, Pt 200, Pt 500, Pt 1000, Ni 100, Ni 120, Ni 200, Ni 500, Ni 1000, LG-Ni 1000, Cu 50, Cu 100,</li> <li>Pt 10, Cu 10</li> </ul> </li> <li>Resistor</li> </ul>	$\pm 0.5$ °C $\pm 1.0$ °C $\pm 0.05$ %
Temperature error (in relation to input range) <ul style="list-style-type: none"> <li>Resistance thermometer</li> <li>Resistor</li> </ul>	$\pm 0.015$ °C/K $\pm 0.005$ %/K
Linearity error (referenced to input range) <ul style="list-style-type: none"> <li>Resistance thermometer</li> <li>Resistor</li> </ul>	$\pm 0.2$ °C $\pm 0.02$ %

Technical specifications	
Repeat accuracy (in steady state at 25 °C, referenced to input range) <ul style="list-style-type: none"> <li>Resistance thermometer</li> <li>Resistor</li> </ul>	$\pm 0.2 \text{ }^\circ\text{C}$ $\pm 0.01 \%$
Status, interrupts, diagnostics	
Interrupts <ul style="list-style-type: none"> <li>Hardware interrupt</li> <li>Diagnostics interrupt</li> </ul>	Configurable (channels 0-7) Configurable
Diagnostics function <ul style="list-style-type: none"> <li>Group error display</li> <li>Diagnostic information can be read</li> </ul>	Configurable Red LED (group error) possible
Encoder selection data	
Input range (rated values) input resistance <ul style="list-style-type: none"> <li>Resistance thermometer</li> <li>Resistor</li> </ul>	Pt 10, Pt 50, Pt 100, Pt 200, Pt 500, Pt 1000, Ni 100, Ni 120, Ni 200, Ni 500, Ni 1000, LG-Ni 1000, Cu 10, Cu 50, Cu 100 (standard and climatic) 150, 300, 600 $\Omega$
Permissible input voltage at voltage input (destruction limit)	35 V DC continuous 75 V DC for max. 1 s (duty cycle 1 : 20)
Wiring of the signal transmitters <ul style="list-style-type: none"> <li>for resistance measurement with 2-wire connection</li> <li>with 3-wire connection</li> <li>with 4-wire connection</li> </ul>	with 40-pin front connector  possible possible*** possible
Characteristic linearization <ul style="list-style-type: none"> <li>Resistance thermometer</li> <li>Technical unit for temperature measurement</li> </ul>	Pt 10, Pt 50, Pt 100, Pt 200, Pt 500, Pt 1000, Ni 100, Ni 120, Ni 200, Ni 500, Ni 1000, LG-Ni 1000, Cu 10, Cu 50, Cu 100 (standard and climatic) Degrees Celsius / degrees Fahrenheit
* The resistance test for compensation of the line resistances with a 3-wire connection is performed every 5 minutes. ** Wire break monitoring in 4-channel mode (hardware filter) is performed every 3 seconds. *** The maximum line resistance with 3-wire encoder measurements for the RTD elements PT 10 and Cu 10 is 10 $\Omega$ . For all other RTD elements, the maximum power resistance for 3-wire encoder measurements is 20 $\Omega$ . **** In 4-channel mode, the converted value settles to 100% within 80 ms. The value determined in this process is switched typically every 3.3 ms (max. 10 ms).	

### Configuration in RUN

Special considerations must be given if you use the Configuration in RUN function.

SF LED is lit:

Status before re-configuration diagnostics on, SF LEDs lit among others (on CPU, IM or module), although diagnostics are no longer pending and the module is operating correctly.

Solution:

- Only change the configuration when no diagnostics are pending for the module or
- Pulling and plugging the module.

## 6.9.2 Measurement types and measuring ranges

### Introduction

The measurement type and range is configured at the "measurement type" parameter in *STEP 7*.

Table 6-23 Measurement types and ranges

Selected type of measurement	Measuring range
Resistance: (3-/4-wire connection)	150 Ω 300 Ω 600 Ω
RTD resistance and linearization: (3-/4-wire connection)	Pt 100 Klima Pt 200 Klima Pt 500 Klima Pt 1000 Klima Ni 100 Klima Ni 120 Klima Ni 200 Klima Ni 500 Klima Ni 1000 Klima* LG-Ni 1000 Klima Cu 10 Klima Pt 100 Standard Pt 200 Standard Pt 500 Standard Pt 1000 Standard Ni 100 Standard Ni 120 Standard Ni 200 Standard Ni 500 Standard Ni 1000 Standard* LG-Ni 1000 Standard Cu 10 Standard Pt 10 GOST Klima Pt 10 GOST Standard Pt 50 GOST Klima Pt 50 GOST Standard Pt 100 GOST Klima Pt 100 GOST Standard Pt 500 GOST Klima Pt 500 GOST Standard Cu 10 GOST Klima Cu 10 GOST Standard Cu 50 GOST Klima Cu 50 GOST Standard Cu 100 GOST Klima Cu 100 GOST Standard Ni 100 GOST Klima Ni 100 GOST Standard

\* ≙ LG-Ni 1000 with temperature coefficient 0.00618 or 0.00672

### Channel groups

The channels of SM 331; AI 8 x RTD are arranged in four groups of two channels. You can assign parameters only to one channel group.

The table below shows the relevant configuration of channel groups. The channel group number is required to program SFC parameters in the user program.

Table 6-24 Assignment of SM 331; AI 8 x RTD channels to channel groups

Channels ...	... form one channel group each
Channel 0	Channel group 0
Channel 1	
Channel 2	Channel group 1
Channel 3	
Channel 4	Channel group 2
Channel 5	
Channel 6	Channel group 3
Channel 7	

### 6.9.3 Programmable parameters

#### Introduction

For general information on programming analog modules, refer to the chapter Programming analog modules (Page 244).

The table below provides an overview of programmable parameters and of their defaults:

#### Parameters

Table 6-25 Overview of SM 331; AI 8 x RTD parameters

Parameters	Range of values	Default	Parameter type	Scope
Enable <ul style="list-style-type: none"> <li>• Diagnostics interrupt</li> <li>• Process interrupt when limit exceeded</li> <li>• Process interrupt at end of cycle</li> </ul>	yes/no yes/no yes/no	no no no	dynamic	Module
Process interrupt trigger <ul style="list-style-type: none"> <li>• High limit</li> <li>• Low limit</li> </ul>	32511 to -32512 from - 32512 to 32511	32767 -32768	dynamic	Channel
Diagnostics <ul style="list-style-type: none"> <li>• Group diagnostics</li> <li>• with line continuity check</li> </ul>	yes/no yes/no	no no	static	Channel group
Measurement <ul style="list-style-type: none"> <li>• Measurement type</li> </ul>	disabled R-4L resistance (4-wire connection) R-3L resistance (3-wire connection) RTD-4L thermoresistor (linear, 4-wire connection) RTD-3L thermoresistor (linear, 3-wire connection)	RTD-4L	dynamic	Channel group



Parameters	Range of values	Default	Parameter type	Scope
• Measuring range	See chapter Measurement types and measuring ranges ( <a href="#">Page 322</a> )	Pt 100 Klima 0.003850 (IPTS-68)	dynamic	Channel group
• Temperature unit	Degrees Centigrade; degrees Fahrenheit	degrees Centigrade	dynamic	Module
• Mode of operation	8-channel mode (hardware filter) 8-channel mode (software filter) 4-channel mode (hardware filter)	8-channel mode, hardware filter	dynamic	Module
• Temperature coefficient for temperature measurement with thermoresistor (RTD)	Platinum (Pt) 0.003850 $\Omega/\Omega/^\circ\text{C}$ (IPTS-68) 0.003916 $\Omega/\Omega/^\circ\text{C}$ 0.003902 $\Omega/\Omega/^\circ\text{C}$ 0.003920 $\Omega/\Omega/^\circ\text{C}$ 0.003850 $\Omega/\Omega/^\circ\text{C}$ (ITS-90) 0.003910 $\Omega/\Omega/^\circ\text{C}$ Nickel (Ni) 0.006170 $\Omega/\Omega/^\circ\text{C}$ 0.006180 $\Omega/\Omega/^\circ\text{C}$ 0.006720 $\Omega/\Omega/^\circ\text{C}$ 0.005000 $\Omega/\Omega/^\circ\text{C}$ (LG Ni 1000) Copper (Cu) 0.004260 $\Omega/\Omega/^\circ\text{C}$ 0.004270 $\Omega/\Omega/^\circ\text{C}$ 0.004280 $\Omega/\Omega/^\circ\text{C}$	0,003850	dynamic	Channel group
• Noise suppression*	50/60/400 Hz; 400 Hz; 60 Hz; 50 Hz	50/60/400 Hz	dynamic	Channel group
• Smoothing	none weak medium strong	none	dynamic	Channel group
* 50/60/400 Hz only programmable for 8-channel mode (hardware filter) and 4-channel mode (hardware filter); 50 Hz, 60 Hz or 400 Hz only programmable for 8-channel mode (software filter)				

**See also**

[Diagnostics messages of analog input modules \(Page 246\)](#)

**6.9.4 Additional information on SM 331; AI 8 x RTD****Modes of operation**

Operating modes of SM 331; AI 8 x RTD:

- 8-channel mode (hardware filter)
- 8-channel mode (software filter)
- 4-channel mode (hardware filter)

The operating mode influences the module cycle time.

**8-channel mode (hardware filter)**

In this mode, the module changes between the two channels of each group. The four ADCs of the module simultaneously convert channels 0, 2, 4 and 6. The ADCs first convert the channels with even numbers, and then the channels with the odd numbers 1, 3, 5 and 7 (see the figure below.)

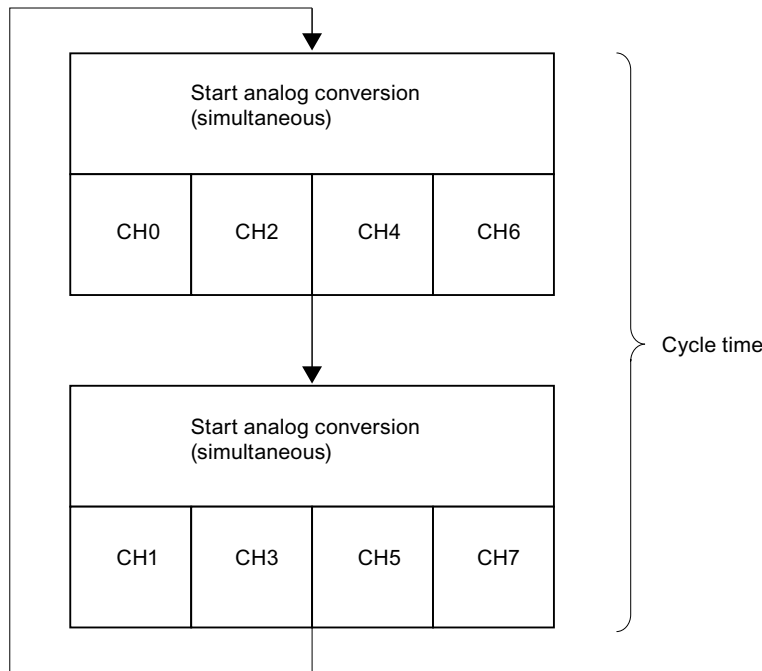


Figure 6-23 8-channel mode cycle time (hardware filter)

**Cycle time of module in 8-channel mode**

The channel conversion time, including module communication time, is 84 ms. The module must change to the second channel of the group using OptoMOS relays when conversion is completed. Opto-MOS relays require 12 ms for switching and settling. Each channel requires a time of 97 ms, i.e. the total cycle time equals 194 ms.

$$\text{Cycle time} = (t_k + t_U) \times 2$$

$$\text{Cycle time} = (84 \text{ ms} + 16 \text{ ms}) \times 2$$

$$\text{Cycle time} = 200 \text{ ms}$$

$t_c$ : Conversion time for one channel

$t_c$ : Channel changeover time within the channel group

### 8-channel mode (software filter)

Analog-to-digital conversion in this mode is identical to the conversion in 8-channel mode (hardware filter). The four ADCs of the module simultaneously convert channels 0, 2, 4 and 6. The ADCs first convert the channels with even numbers, and then the channels with the odd numbers 1, 3, 5 and 7 (see the figure below.)

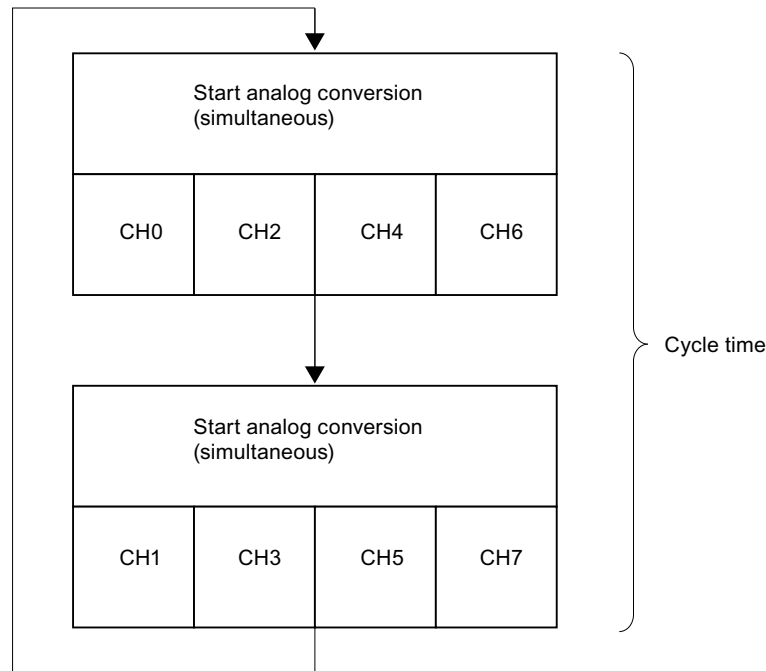


Figure 6-24 8-channel mode cycle time (software filter)

### Cycle time of module in 8-channel mode (software filter)

The channel conversion time is based on the programmed interference frequency. The channel conversion time is 32 ms, including communication time, when you set an interference frequency of 50 Hz. The channel conversion time is 27 ms when you set an interference frequency of 60 Hz. You can reduce channel conversion times to 9 ms by setting an interference frequency of 400 Hz. As in "hardware filter, 8channel" mode, the module has to toggle to the second channel of the group within a changeover time of 16 ms using the Opto-MOS relays. The table below shows this correlation.

Table 6-26 Cycle times in "8-channel mode (software filter)"

Interference frequency	Channel cycle time*	Module cycle time (all channels)
50 Hz	48 ms	96 ms
60 Hz	43 ms	86 ms
400 Hz	25 ms	50 ms

\* Channel cycle time = channel conversion time + 12 ms channel changeover time within the group

### 4-channel mode (hardware filter)

In this mode, the module does not change between the channels of the groups. The four ADCs of the module simultaneously convert the channels 0, 2, 4 and 6.

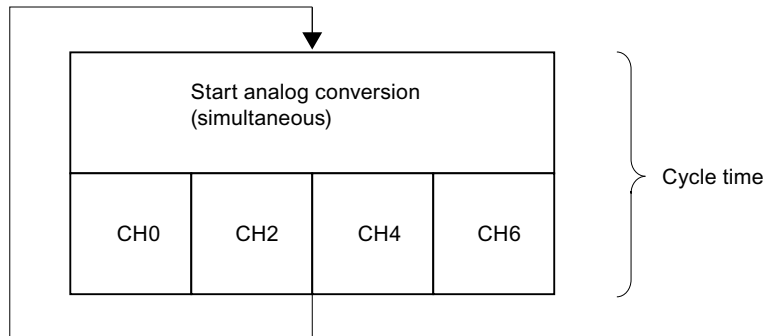


Figure 6-25 4-channel mode cycle time (hardware filter)

### Cycle time of the module in 4-channel mode (hardware filter)

The converted value settles to 100% within 80 ms and is updated at intervals of 10 ms when 4-channel mode is set. The channel and module cycle times are always identical, as the module does not change between the channels of a group: 10 ms.

Channel conversion time = channel cycle time = module cycle time = **10 ms**

### Cycle time extension due to wire-break monitoring

The wire-break monitoring software function of the module is available in all operating modes.

The cycle time of the module is doubled in **8-channel mode (hardware or software filter)**, irrespective of the number of channels at which wire-break monitoring is enabled.

**In 4-channel mode (hardware filter)**, the module interrupts processing of input data for the duration of 100 ms and performs a line continuity check. That is, each line continuity check extends the module cycle time by 100 ms.

### Unused channels

In order to avoid incorrect measurements, an unused channel from an active group of channels must be configured. Connect a resistor of the nominal range to the unused channel in order to suppress diagnostics errors.

Set the "disabled" value at the "measurement type" parameter for unused channels. This setting reduces module cycle times.

### Short-circuit to M or L

The module does not suffer any damage if you short-circuit an input channel to M or L. The channel continues to output valid data and does not report a diagnostics event.

### End of cycle interrupt

You can synchronize a process with the conversion cycle of the module by enabling the end of cycle interrupt. The interrupt is set when all active channels have been converted.

The table below shows the contents of the 4 bytes of additional OB40 information during process or end of cycle interrupts.

Content of the 4 bytes with additional information	2 <sup>7</sup>	2 <sup>6</sup>	2 <sup>5</sup>	2 <sup>4</sup>	2 <sup>3</sup>	2 <sup>2</sup>	2 <sup>1</sup>	2 <sup>0</sup>	Byte	
Special analog flags	2 bits per channel to identify the range									
	High limit exceeded at channel	7	6	5	4	3	2	1	0	0
	Low limit exceeded at channel	7	6	5	4	3	2	1	0	1
	End of cycle event						X			2
	Free bit									3

### Programming restrictions when operating SM 331; AI 8 x RTD with PROFIBUS masters which only support DPV0.

Certain parameters are not allowed when operating the SM 331; AI 8 x RTD analog input module on an ET 200M PROFIBUS slave system and the PROFIBUS master is not an S7 master.. Non-S7 masters do not support process interrupts. All parameters associated with these functions are disabled for this reason. This includes process interrupt enable, hardware restrictions and end the enabling of cycle interrupts. All other parameters are allowed.

### Operating the module on the ET 200M Distributed IO device

Operation of SM 331; AI 8 x RTD on ET 200M requires one of the following IM 153 x:

- IM 153-1; as of 6ES7153-1AA03-0XB0, V 01
- IM 153-2; as of 6ES7153-2AA02-0XB0, V 05
- IM 153-2; as of 6ES7153-2BA00-0XA0; V 01
- IM 153-2; as of 6ES7153-2AA01-0XB0, V 04

## 6.10 Analog input module SM 331; AI 8 x TC; (6ES7331-7PF11-0AB0)

### Order number

6ES7331-7PF11-0AB0

### Properties

- 8 inputs in 4 channel groups
- Programmable measurement type at each channel group
  - Temperature
- Programmable resolution at each channel group (15 bits + sign)
- Any measuring range selection per channel group
- Programmable diagnostics and diagnostic interrupt
- Programmable limit value monitoring for 8 channels
- Programmable hardware interrupt when limit is exceeded
- High-speed update of measured values at up to 4 channels
- Programmable hardware interrupt at end of cycle
- Electrically isolated from the CPU
- Supports parameter reassignment in RUN

### Resolution

The resolution of measured values is independent of the selected integration time.

### Diagnostics

For information on diagnostics messages at the "group diagnostics" parameter, refer to chapter Diagnostic messages of analog input modules (Page 246).

### Hardware interrupts

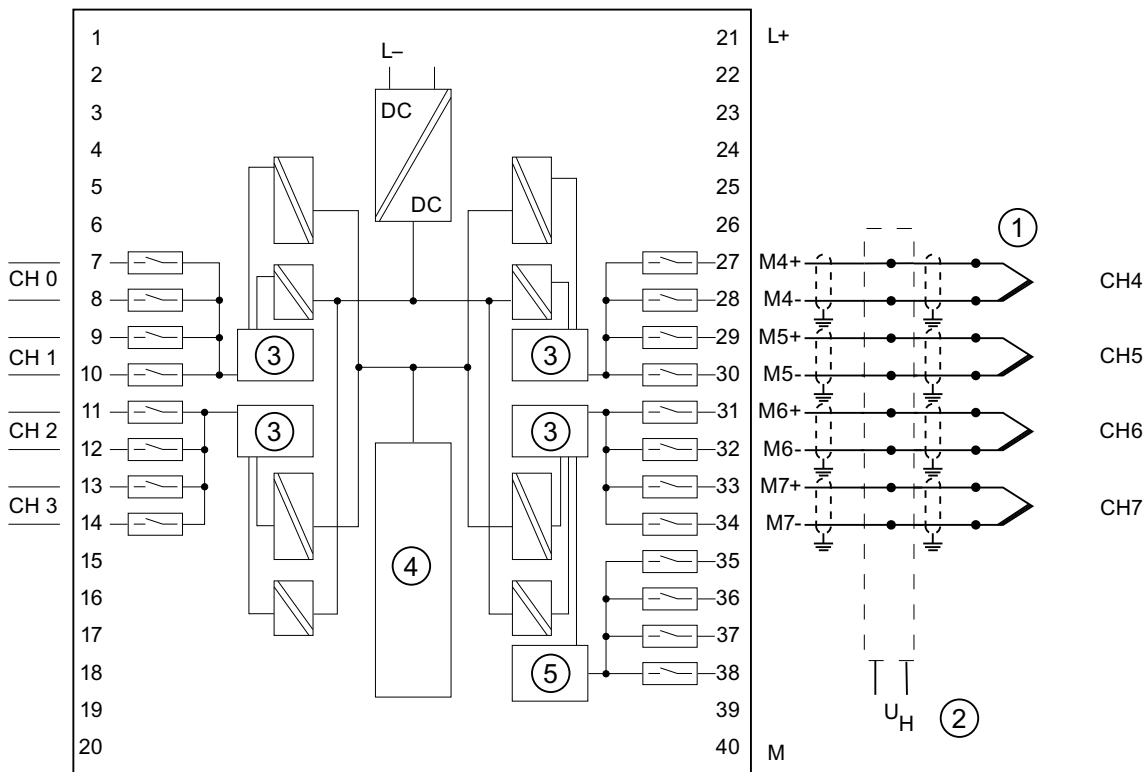
Hardware interrupts for channel groups 0 and 1 can be programmed in STEP 7. However, set a hardware interrupt only for the first channel of a channel group, that is, either at channel 0, or at channel 2

### Terminal assignment

The diagrams below show various wiring options. These examples apply to all channels (channel 0 to 7).

### Wiring: Thermocouple via reference junction

All 8 inputs are available as measurement channels if thermocouples are wired via reference junctions which are regulated to 0 °C or 50 °C.

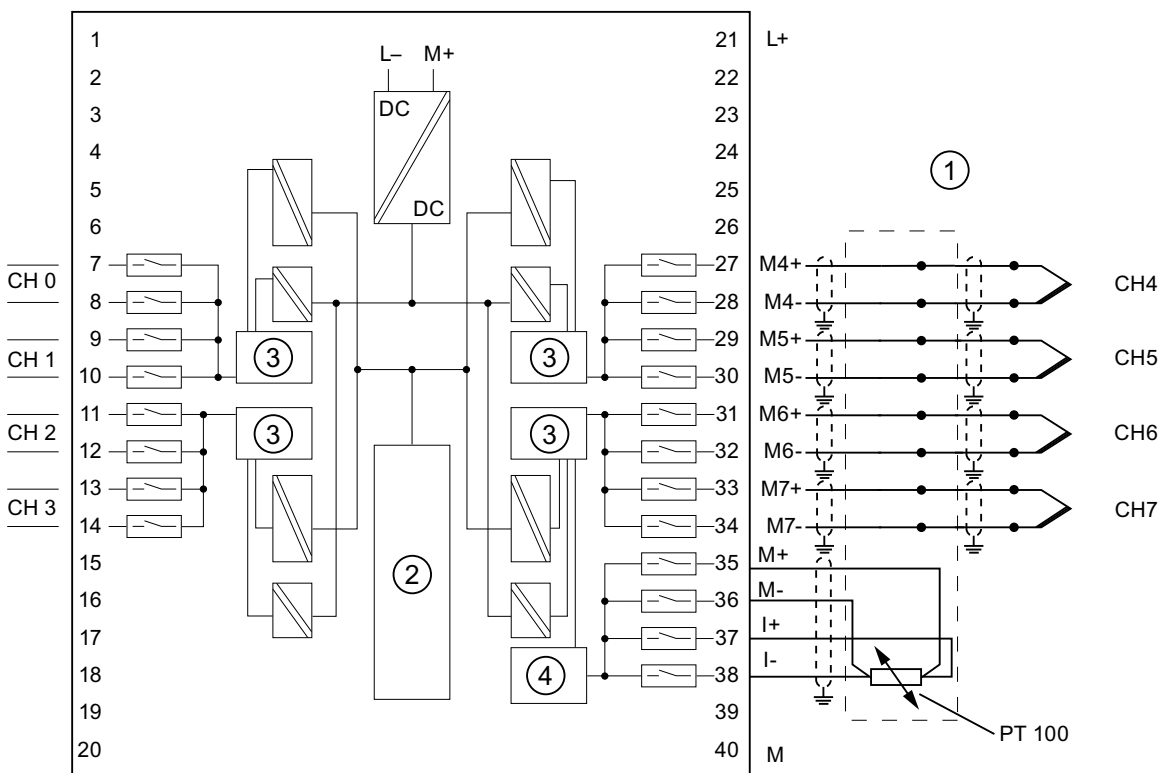


- ① Thermocouple via reference junction
- ② Reference junction regulated to 0 °C or 50 °C for example, compensation box (per channel) or thermostat
- ③ Analog-to-Digital Converter (ADC)
- ④ Backplane bus interface
- ⑤ External cold spot comparison

Figure 6-26 Wiring and block diagram

### Wiring: Thermocouple with external compensation

With this type of compensation, the temperature of the terminals at the reference junction is established using a resistance thermometer Pt100 with a temperature range of -25 °C to 85 °C (see terminals 35 to 38).



- ① Thermocouple with external temperature compensation
- ② Backplane bus interface
- ③ Analog-to-Digital Converter (ADC)
- ④ External cold spot comparison

Figure 6-27 Wiring and block diagram

**Wiring: Thermocouple with internal compensation**

With this kind of compensation, the module registers the temperature at the reference junction in the connector.

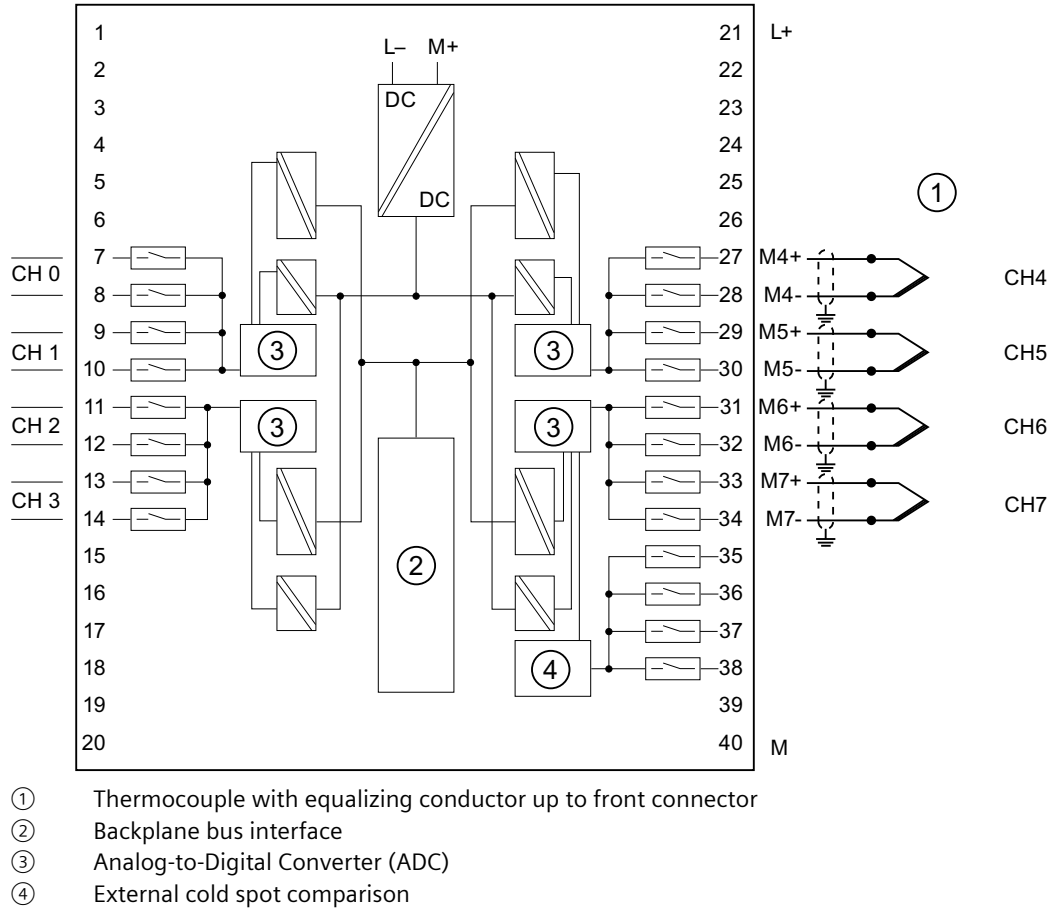


Figure 6-28 Wiring and block diagram

**Technical specifications**

<b>Technical specifications</b>	
<b>Dimensions and weight</b>	
Dimensions W x H x D (mm)	40 x 125 x117
Weight	approx. 272 g
<b>Module-specific data</b>	
Supports parameter reassignment in RUN	Yes
Response of non-programmed inputs	Return the process value which was valid before configuration
Supports isochronous mode	No
Cable length • shielded	max. 100 m
<b>Voltages, currents, electrical potentials</b>	



## 6.10 Analog input module SM 331; AI 8 x TC; (6ES7331-7PF11-0AB0)

Technical specifications	
Rated electronics supply voltage L + • Reverse polarity protection	24 V DC Yes
Constant measuring current for resistance-type transmitters	typ. 0.7 mA
Electrical isolation • between channels and the backplane bus • between channels and electronics power supply • between channels in groups of	Yes Yes Yes 2
Isolation test voltage	500 V DC
Current consumption • from the backplane bus • from supply voltage L+	max. 100 mA max. 240 mA
Power loss of the module	typ. 3.0 W
Generation of analog values	
Measuring principle	Integrating
Operating mode	<b>8-channel mode (hardware filter)</b>
Integration/conversion time/resolution (per channel) • programmable • Basic conversion time in ms • additional conversion time for wire-break monitoring in ms • Resolution (including overshoot range) • Interference frequency suppression at interference frequency f1 in Hz	Yes 95 4 16 bits (including sign) 400/60/50
Measured value smoothing	none/weak/medium/strong
Basic execution time of the module (all channels enabled)	196 ms *****
Operating mode	<b>8-channel mode (software filter)</b>
Integration/conversion time/resolution (per channel) • programmable • Basic conversion time in ms • additional conversion time for wire-break monitoring in ms • Resolution (including overshoot range) • Interference frequency suppression at interference frequency f1 in Hz	Yes 23/72/83 4 16 bits (including sign) 400/60/50
Measured value smoothing	none/weak/medium/strong
Basic execution time of the module (all channels enabled)	46/144/166 ms *****
Measuring principle	Integrating
Operating mode	<b>4-channel mode (hardware filter)</b>
Integration/conversion time/resolution (per channel) • programmable • Basic conversion time in ms	Yes 3.3 ms *****
• additional conversion time for wire-break monitoring in ms	93 *
• Resolution (including overshoot range) • Interference frequency suppression at interference frequency f1 in Hz	16 bits (including sign) 400/60/50

Technical specifications			
Measured value smoothing		none/weak/medium/strong	
Basic execution time of the module (all channels enabled)		10 ms *****	
Interference frequency suppression, error limits			
Interference frequency suppression at $f = n$ ( $f_1$ 1%), ( $f_1$ = interference frequency) $n = 1, 2$ , etc.			
<ul style="list-style-type: none"> <li>Common mode interference (<math>V_{CM} &lt; 60</math> V AC)</li> <li>Series-mode interference (peak interference value &lt; rated input range)</li> </ul>		> 100 dB	> 90 dB **
Crosstalk between inputs		> 100 dB	
Operational limit (across temperature range, relative to the measurement range end value of the input range) (0 to 60 °C) Note: This limit does not cover the temperature-error comparison points.			
<ul style="list-style-type: none"> <li>Thermocouple</li> </ul>			
Type T	-200 °C to	+400 °C	± 0.7 °C
	-230 °C to	-200 °C	± 1.5 °C
Type U	-150 °C to	+600 °C	± 0.9 °C
	-200 °C to	-150 °C	± 1.2 °C
Type E	-200 °C to	+1000 °C	± 1.2 °C
	-230 °C to	-200 °C	± 1.5 °C
Type J	-150 °C to	+1200 °C	± 1.4 °C
	-210 °C to	-150 °C	± 1.7 °C
Type L	-150 °C to	+900 °C	± 1.5 °C
	-200 °C to	-150 °C	± 1.8 °C
Type K	-150 °C to	+1372 °C	± 2.1 °C
	-220 °C to	-150 °C	± 2.9 °C
Type N	-150 °C to	+1300 °C	± 2.2 °C
	-220 °C to	-150 °C	± 3.0 °C
Type R	+100 °C to	+1769 °C	± 1.5 °C
	-50 °C to	+100 °C	± 1.8 °C
Type S	+100 °C to	+1769 °C	± 1.7 °C
	-50 °C to	+100 °C	± 2.0 °C
Type B ****	+800 °C to	+1820 °C	± 2.3 °C
	+200 °C	+800 °C	± 2.5 °C
Type C	+100 °C to	+2315 °C	± 2.3 °C
	0 °C	+100 °C	± 2.5 °C
Txk/xk(L)	-150 °C to	+800 °C	± 1.0 °C
	-200 °C	-150 °C	± 1.5 °C
Basic error limit (operational limit at 25 °C, relative to the measurement range end value in the selected input range)			
<ul style="list-style-type: none"> <li>Thermocouple</li> </ul>			
Type T	-200 °C to	+400 °C	± 0.5 °C
	-230 °C to	-200 °C	± 1.0 °C

Technical specifications			
Type U	-150 °C to	+600 °C	± 0.5 °C
	-200 °C to	-150 °C	± 1.0 °C
Type E	-200 °C to	+1000 °C	± 0.5 °C
	-230 °C to	-200 °C	± 1.0 °C
Type J	-150 °C to	+1200 °C	± 0.5 °C
	-210 °C to	-150 °C	± 1.0 °C
Type L	-150 °C to	+900 °C	± 0.5 °C
	-200 °C to	-150 °C	± 1.0 °C
Type K	-150 °C to	+1372 °C	± 0.5 °C
	-220 °C to	-150 °C	± 1.0 °C
Type N	-150 °C to	+1300 °C	± 0.5 °C
	-200 °C to	-150 °C	± 1.0 °C
Type R	+100 °C to	+1769 °C	± 0.5 °C
	-50 °C to	+100 °C	± 0.5 °C
Type S	+100 °C to	+1769 °C	± 0.5 °C
	-50 °C to	+100 °C	± 1.0 °C
Type B ****	+800 °C to	+1820 °C	± 1.0 °C
	+200 °C to	+800 °C	± 2.0 °C
Type C	+100 °C to	+2315 °C	± 0.5 °C
	0 °C	+100 °C	± 1.0 °C
Txk/xk(L)	-150 °C to	+800 °C	± 0.5 °C
	-200 °C	-150 °C	± 1.0 °C
Temperature error (relative to input range)		± 0.005%/K	
Linearity error (relative to input range)		±0.02%	
Repeat accuracy (in settled state at 25 °C, relative to input range)***		±0.01%	
Status, interrupts, diagnostics			
Interrupts		programmable	
• Hardware interrupt		(channels 0 to 7)	
• Diagnostic interrupt		programmable	
Diagnostic functions		programmable	
• Group error display		red LED (SF)	
• Reading diagnostics information		supported	
Encoder selection data			
Input ranges (rated values) / input impedance		Types B, C, N, E, R, S, J, L, T, K, U, TxK/xK (L) / > 10 mega-	
• Thermocouples		ohms	
Maximum voltage at voltage input (destruction limit)		20 V DC continuous; 75 V DC for the duration of max. 1 s (duty factor 1:20)	
Characteristics linearization		programmable	

Technical specifications	
Temperature compensation <ul style="list-style-type: none"> <li>Internal temperature compensation</li> <li>External temperature compensation with Pt 100 (0.003850)</li> <li>Compensation for 0 °C reference junction temperature</li> <li>Compensation for 50 °C reference junction temperature</li> <li>Technical unit of temperature measurement</li> </ul>	programmable supported supported supported supported Degrees Centigrade / degrees Fahrenheit
Wiring of the signal transmitters	using a 40-pin front connector
<p>** Wire-break monitoring in 4-channel mode (hardware filter) at intervals of three seconds.                      ** In 8-channel software mode (software filter), series-mode rejection is reduced as follows:</p> <ul style="list-style-type: none"> <li>50 Hz &gt; 70 dB</li> <li>60 Hz &gt; 70 dB</li> <li>400 Hz &gt; 80 dB</li> </ul> <p>*** The operational limit comprises only the basic error of the analog input at Ta = 25 °C and the total temperature error. The total error must include the compensation error of the cold reference junction. Internal compensation of the reference junction = max. 1.5 °C                      External compensation of the reference junction = accuracy of the used external RTD ± 0.1 °C.                      External compensation of the reference junction at which the reference junction is maintained at 0 °C or 50 °C = accuracy of the temperature control of the reference junction.</p> <p>**** Due to its small slope of approx. 0 °C to 40 °C, a lack of compensation for the reference junction temperature only has a slight effect with thermocouple type B. With missing compensation and set measuring type "Compensation to 0 °C", the deviation with thermocouple type B at measuring temperatures between:</p> <ul style="list-style-type: none"> <li>700 °C and 1820 °C is &lt; 0.5 °C</li> <li>500 °C and 700 °C is &lt; 0.7 °C.</li> </ul> <p>If the reference junction temperature is approximately that of the module temperature, "internal compensation" should be set. As a result, the error for the temperature range from 500 °C to 1820 °C is reduced to &lt; 0.5 °C.</p> <p>***** In 4-channel mode, the converted value settles to 100 % within 80 ms. The value determined in this process is set at intervals of 3.3 ms (max. 10 ms).</p> <p>***** If internal or external reference junction compensation is configured, the measured values of all channels are not updated for about 1 s in each minute. ###</p>	

### Parameter reassignment in RUN

If you reassign parameters in RUN, the following special characteristic applies.

SF LED is lit:

If a diagnostics was pending prior to reconfiguration, the SF LEDs (on CPU, IM or module) may be lit even though diagnostics is no longer pending and the module is operating correctly.

Solution:

- Only assign new parameters if no diagnostics is pending, or
- unplug module and plug it in again.

## 6.10.1 Measurement types and measuring ranges

### Introduction

The measurement type and range are configured at the "measuring range" parameter in *STEP 7*.

Table 6-27 Measurement types and ranges

Selected type of measurement	Measuring range
TC-L00C: (thermocouple, linear, 0 °C reference temperature)	Type B
	Type C
TC-L50C: (thermocouple, linear, 50 °C reference temperature)	Type E
	Type J
TC-IL: (thermocouple, linear, internal comparator)	Type K
	Type L
TC-EL: (thermocouple, linear, external comparison)	Type N
	Type R
	Type S
	Type T
	Type U
	Type Txk / xk (L)

### Channel groups

The channels of SM 331; AI 8 x TC are arranged in four groups of two channels. You can assign parameters only to one channel group.

The table below shows the relevant configuration of channel groups. The channel group number is required to program SFC parameters in the user program.

Table 6-28 Assignment of SM 331; AI 8 x TC channels to channel groups

Channels ...	... form one channel group each
Channel 0	Channel group 0
Channel 1	
Channel 2	Channel group 1
Channel 3	
Channel 4	Channel group 2
Channel 5	
Channel 6	Channel group 3
Channel 7	

## 6.10.2 Adjustable parameters

### Introduction

For general information on programming analog modules, refer to the chapter Programming analog modules [\(Page 244\)](#).

**Parameters**

Table 6-29 Parameters of SM 331; AI 8 x TC

Parameters	Range of values	Default	Parameter type	Scope
Enable <ul style="list-style-type: none"> <li>• Diagnostics interrupt</li> <li>• Process interrupt when limit exceeded</li> <li>• Process interrupt at end of cycle</li> </ul>	yes/no yes/no yes/no	no no no	dynamic	Module
Process interrupt trigger <ul style="list-style-type: none"> <li>• High limit</li> <li>• Low limit</li> </ul>	32511 to -32512 from - 32512 to 32511	32767 -32768	dynamic	Channel
Diagnostics <ul style="list-style-type: none"> <li>• Group diagnostics</li> <li>• with line continuity check</li> </ul>	yes/no yes/no	no no	static	Channel group
Measurement <ul style="list-style-type: none"> <li>• Measurement type</li> </ul>	disabled TC-IL thermocouple (linear, internal comparison) TC-EL thermocouple (linear, external comparison) TC-L00C thermocouple (linear, ref. temp. 0 °C) TC-L50C thermocouple (linear, ref. temp. 50 °C)	TC-IL	dynamic	Channel group
<ul style="list-style-type: none"> <li>• Measuring range</li> </ul>	See table Measurement types and measuring ranges <a href="#">(Page 336)</a>	Type K		
<ul style="list-style-type: none"> <li>• Reaction to open thermocouple</li> </ul>	Overflow; underflow	Overflow		
<ul style="list-style-type: none"> <li>• Temperature unit</li> </ul>	Degrees Centigrade; degrees Fahrenheit	degrees Centigrade	dynamic	Module
<ul style="list-style-type: none"> <li>• Mode of operation</li> </ul>	8-channel mode (hardware filter) 8-channel mode (software filter) 4-channel mode (hardware filter)	8 channels, hardware filter	dynamic	Module
<ul style="list-style-type: none"> <li>• Noise suppression*</li> </ul>	50/60/400 Hz; 400 Hz; 60 Hz; 50 Hz;	50/60/400 Hz	dynamic	Channel group
<ul style="list-style-type: none"> <li>• Smoothing</li> </ul>	none weak medium strong	none	dynamic	Channel group

\* 50/60/400 Hz only programmable for 8-channel mode (hardware filter) and 4-channel mode (hardware filter); 50 Hz, 60 Hz or 400 Hz only programmable for 8-channel mode (software filter)

**See also**

[Diagnostics messages of analog input modules \(Page 246\)](#)

### 6.10.3 Additional information on SM 331; AI 8 x TC

#### Modes of operation

Operating modes of SM 331; AI 8 x TC:

- 8-channel mode (hardware filter)
- 8-channel mode (software filter)
- 4-channel mode (hardware filter)

The operating mode influences the module cycle time.

#### 8-channel mode (hardware filter)

In this mode, the module changes between the two channels of each group. The four ADCs of the module simultaneously convert channels 0, 2, 4 and 6. The ADCs first convert the channels with even numbers, and then the channels with the odd numbers 1, 3, 5 and 7 (see the figure below.)

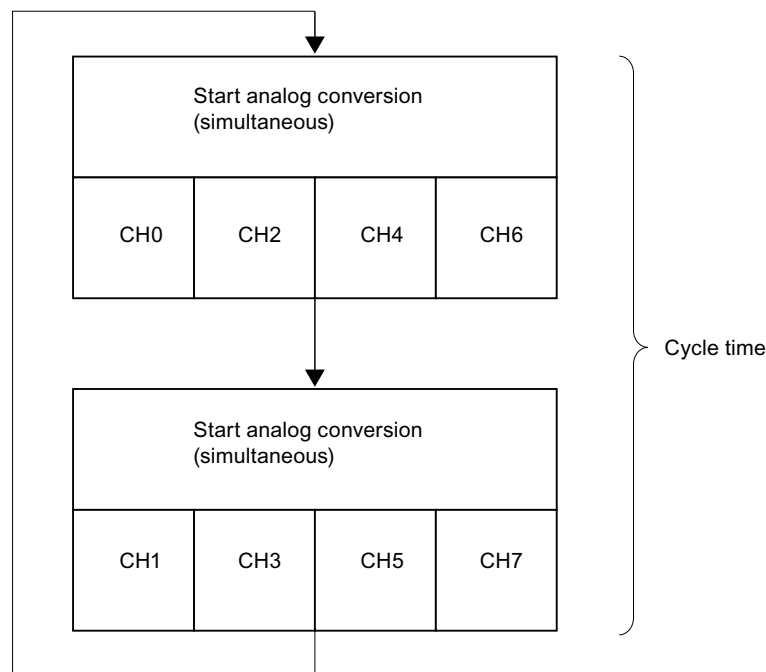


Figure 6-29 8-channel mode cycle time (hardware filter)

#### Cycle time of the module in 8-channel mode (hardware filter)

The channel conversion time, including module communication time, is 91 ms. The module must change to the second channel of the group using OptoMOS relays when conversion is completed. Opto-MOS relays require 7 ms for switching and settling. Each channel requires a time of 98 ms, i.e. the total cycle time equals 196 ms.

$$\text{Cycle time} = (t_k + t_U) \times 2$$

$$\text{Cycle time} = (91 \text{ ms} + 7 \text{ ms}) \times 2$$

$$\text{Cycle time} = \mathbf{196 \text{ ms}}$$

$t_C$ : Conversion time for one channel

$t_C$ : Time for changing over to the other channel in a channel group

### 8-channel mode (software filter)

Analog-to-digital conversion in this mode is similar to conversion in 8-channel mode (hardware filter). The four ADCs of the module simultaneously convert channels 0, 2, 4 and 6. The ADCs first convert the channels with even numbers, and then the channels with the odd numbers 1, 3, 5 and 7 (see the figure below.)

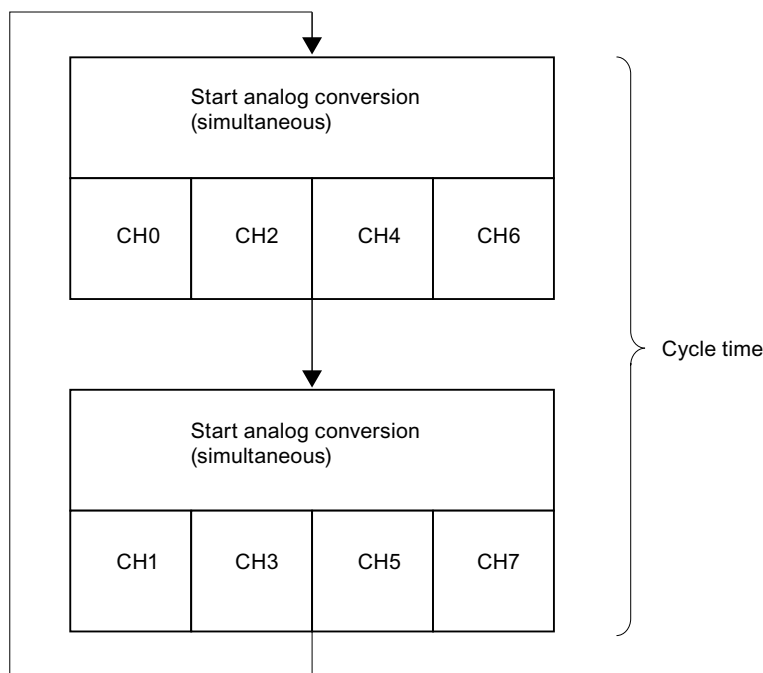


Figure 6-30 8-channel mode cycle time (software filter)

### Cycle time of module in 8-channel mode (software filter)

However, the channel conversion time is oriented on the programmed noise suppression. The channel conversion time is 76 ms, including communication time, when you set an interference frequency of 50 Hz. The channel conversion time is 65 ms when you set an interference frequency of 60 Hz. You can reduce channel conversion times to 16 ms by setting an interference frequency of 400 Hz. As in "hardware filter, 8channel" mode, the module has to change to the second channel of the group within a changeover time of 7 ms using the Opto-MOS relays. The table below shows this correlation.

Table 6-30 Cycle times in 8-channel mode (software filter)

Programmed noise suppression	Channel cycle time*	Module cycle time (all channels)
50 Hz	83 ms	<b>166 ms</b>
60 Hz	72 ms	<b>144 ms</b>
400 Hz	23 ms	<b>46 ms</b>
* Channel cycle time = channel conversion time + 7 ms channel changeover time within the group		



### 4-channel mode (hardware filter)

In this mode, the module does not change between the channels of the groups. The four ADCs of the module simultaneously convert the channels 0, 2, 4 and 6.

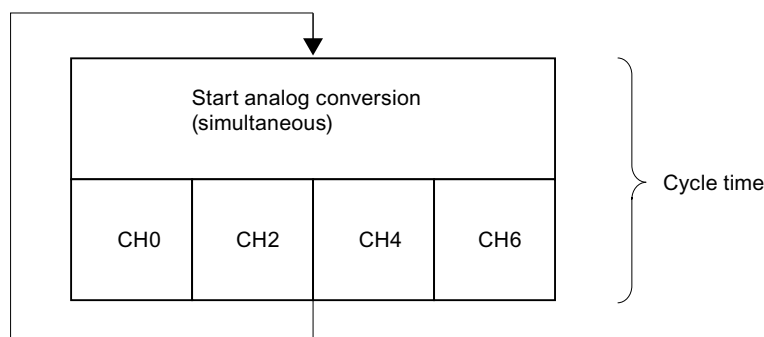


Figure 6-31 4-channel mode cycle time (hardware filter)

### Cycle time of the module in 4-channel mode (hardware filter)

The converted value settles to 100 % within 80 ms and is updated every 10 ms when 4-channel mode is set. The channel and module cycle times are always identical, as the module does not change between the channels of a group: 10 ms.

Channel conversion time = channel cycle time = module cycle time = **10 ms**

### Cycle time extension due to wire-break monitoring

The wire-break monitoring software function of the module is available in all operating modes.

**The 8-channel mode (hardware or software filter modes)** extends module cycle times by 4 ms, irrespective of the number of channels at which wire-break monitoring is enabled.

**In 4-channel mode (hardware filter)**, the module interrupts processing of input data for the duration of 170 ms and performs a line continuity check. That is, each line continuity check extends the module cycle time by 93 ms.

### Unused channels

Set the "disabled" value at the "measurement type" parameter for unused channels. This setting reduces module cycle times.

You must short-circuit all unused channels of an active group, that is, you short-circuit the positive and negative inputs of these channels.

Effect of this measure:

- Measurement errors at the channels used of a group are avoided
- Diagnostic messages from the unused channel in a group are suppressed

### Short-circuit to M or L

The module does not suffer any damage if you short-circuit an input channel to M or L. The channel continues to output valid data and does not report a diagnostics event.

### Special features of channel groups with respect to hardware interrupts upon limit violation

You can set the high and low limits triggering hardware interrupts separately for each channel in *STEP 7*.

### End of cycle interrupt

You can synchronize a process with the conversion cycle of the module by enabling the end of cycle interrupt. The interrupt is set when all active channels have been converted.

Table 6-31 The table below shows the contents of the 4 bytes of additional OB40 information during process or end of cycle interrupts.

Content of the 4 bytes with additional information	2 <sup>7</sup>	2 <sup>6</sup>	2 <sup>5</sup>	2 <sup>4</sup>	2 <sup>3</sup>	2 <sup>2</sup>	2 <sup>1</sup>	2 <sup>0</sup>	Byte	
Special analog flags	2 bits per channel to identify the range									
	High limit exceeded at channel	7	6	5	4	3	2	1	0	0
	Low limit exceeded at channel	7	6	5	4	3	2	1	0	1
	End of cycle event						X			2
	Free byte									3

### Programming restrictions when operating SM 331; AI 8 x TC with PROFIBUS masters which only support DPV0.

When operating the SM 331; AI 8 xTC analog input module on an ET 200M PROFIBUS slave system and the PROFIBUS master is not an S7 master, certain parameters are not permitted. Non-S7 masters do not support hardware interrupts. All parameters associated with these functions are disabled for this reason. This includes hardware interrupt enable, hardware restrictions and end of cycle interrupt enable. All other parameters are allowed.

### Operating the module on the ET 200M Distributed IO device

Operation of SM 331; AI 8 x TC on ET 200M requires one of the following IM 153 x:

- IM 153-1; as of 6ES7153-1AA03-0XB0, E 01
- IM 153-2; as of 6ES7153-2AA02-0XB0, E 05
- IM 153-2; as of 6ES7153-2AB01-0XB0, E 04

## 6.11 Analog input module SM 331, AI 6 x TC isolated (6ES7331-7PE10-0AB0)

### Order number

6ES7331-7PE10-0AB0

### Properties

The SM 331; AI 6 x TC isolated analog input module has the following properties:

- 6 inputs in one group
- Electrical isolation 250 VAC between channels
- Support for user calibration via SIMATIC PDM
- Compensation via internal or external cold spot comparison, or via remote access by means of a separate thermoresistor module.
- Measurement type can be set for each channel
  - Voltage
  - Temperature
- Resolution of 15 bits + sign

- Any measuring range for each channel
- Programmable diagnostics and diagnostic interrupt
- Limit value monitoring can be set for 6 channels
- Programmable hardware interrupt when limit is exceeded
- Electrically isolated from the CPU

### Resolution

The maximum resolution of the measured value (15 bits + sign or 0.1 K) is independent of the programmed integration time.

### Diagnostics

For information on diagnostics messages at the "group diagnostics" parameter, refer to chapter Diagnostic messages of analog input modules [\(Page 246\)](#).

### Hardware interrupts

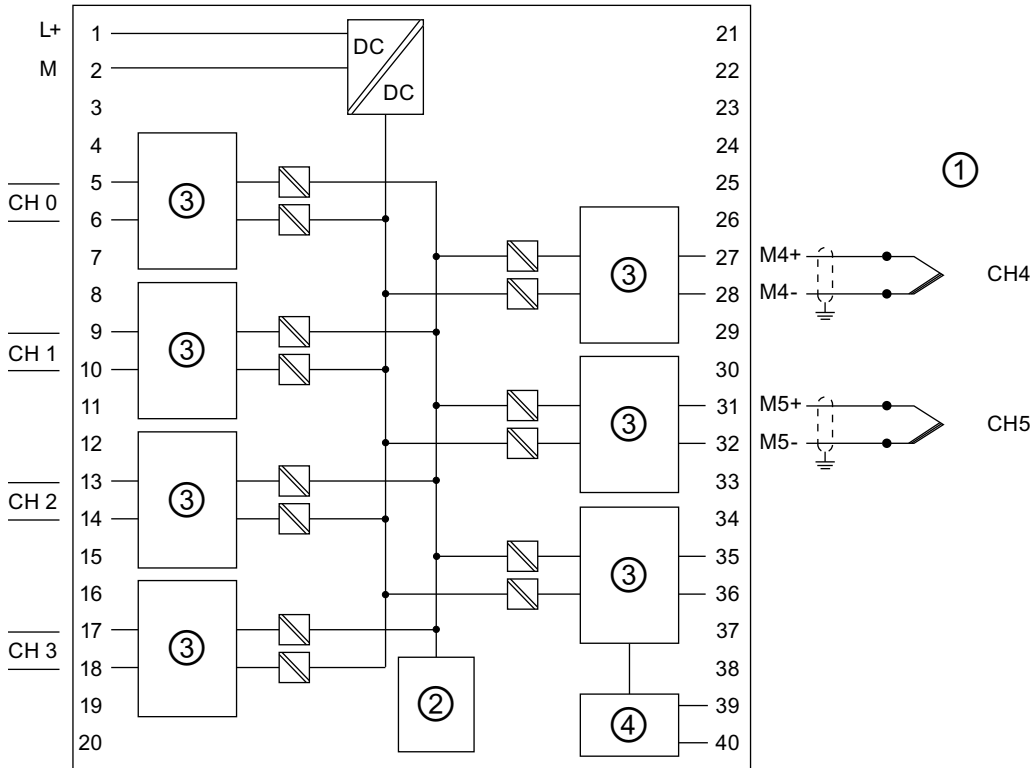
Hardware interrupts can be set in *STEP 7* for all channels.

### Terminal assignment

The figures below show various connection possibilities. These examples apply to all channels (channels 0 to 5).

**Wiring: Thermocouple with internal compensation**

With this kind of compensation, the module detects the temperature at the reference junction of the connector.

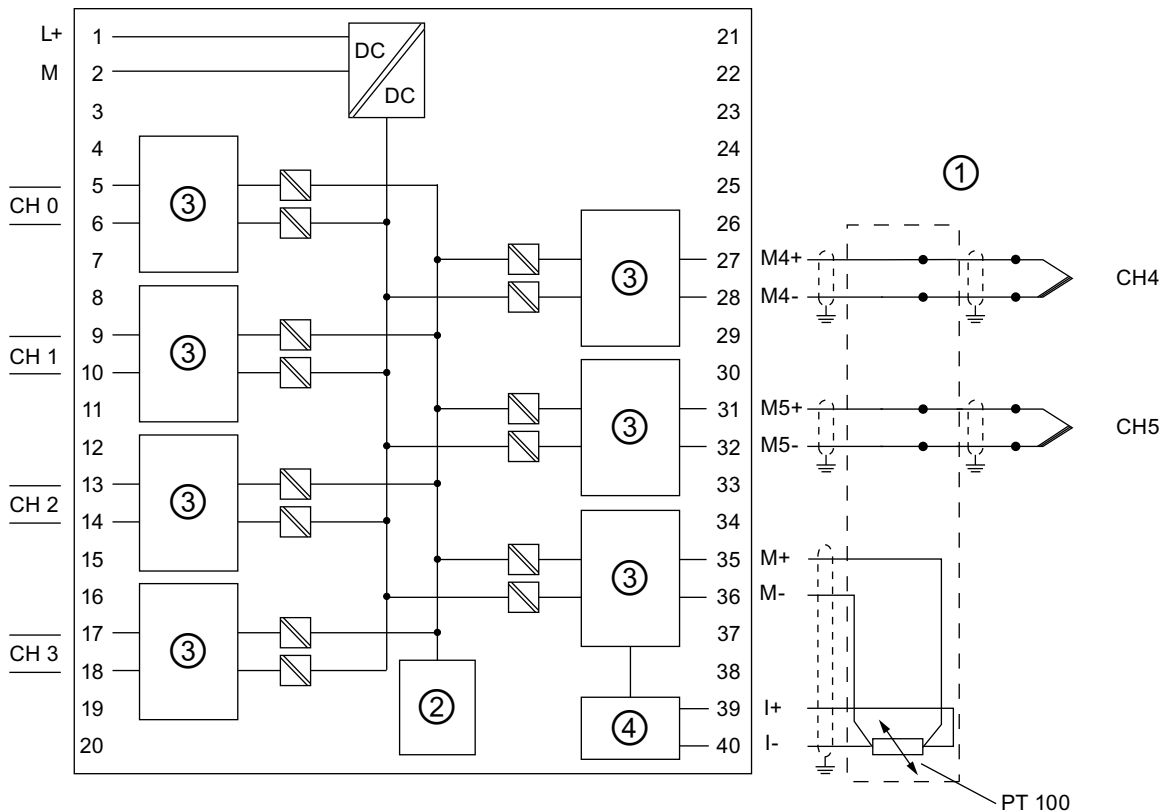


- ① Thermocouple with compensating line (extension) to front connector
- ② Backplane bus interface
- ③ Analog digital converter (ADC)
- ④ External cold spot comparison (ADC and current source)

Figure 6-32 Internal compensation

### Wiring: Thermocouple with external compensation

With this type of compensation, the temperature of the terminals at the reference junction is established using a Pt 100 Klima resistance thermometer with a temperature range of  $-145\text{ }^{\circ}\text{C}$  to  $+155\text{ }^{\circ}\text{C}$  (see terminals 35, 36, 39, and 40).



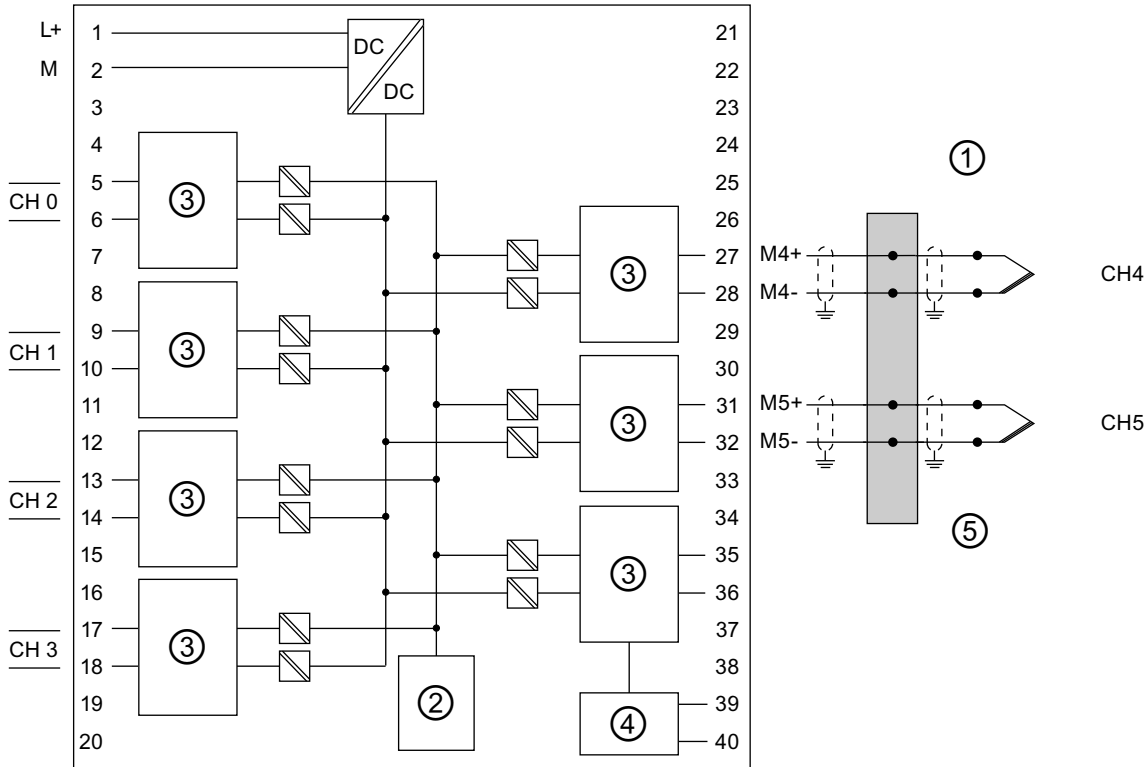
- ① Thermocouple with terminal for external temperature compensation via copper wire at front connector
- ② Backplane bus interface
- ③ Analog digital converter (ADC)
- ④ External cold spot comparison (ADC and current source)

Figure 6-33 External compensation

If no Pt 100 resistance thermometer is available, the reference junction can be read using a thermoresistor module. The measured temperature values are then transferred to module AI 6 x TC via data record 2 (for details on the structure of data record 2, see the figure "Structure of data record 2 for TC").

**Wiring: Thermocouple via reference junction**

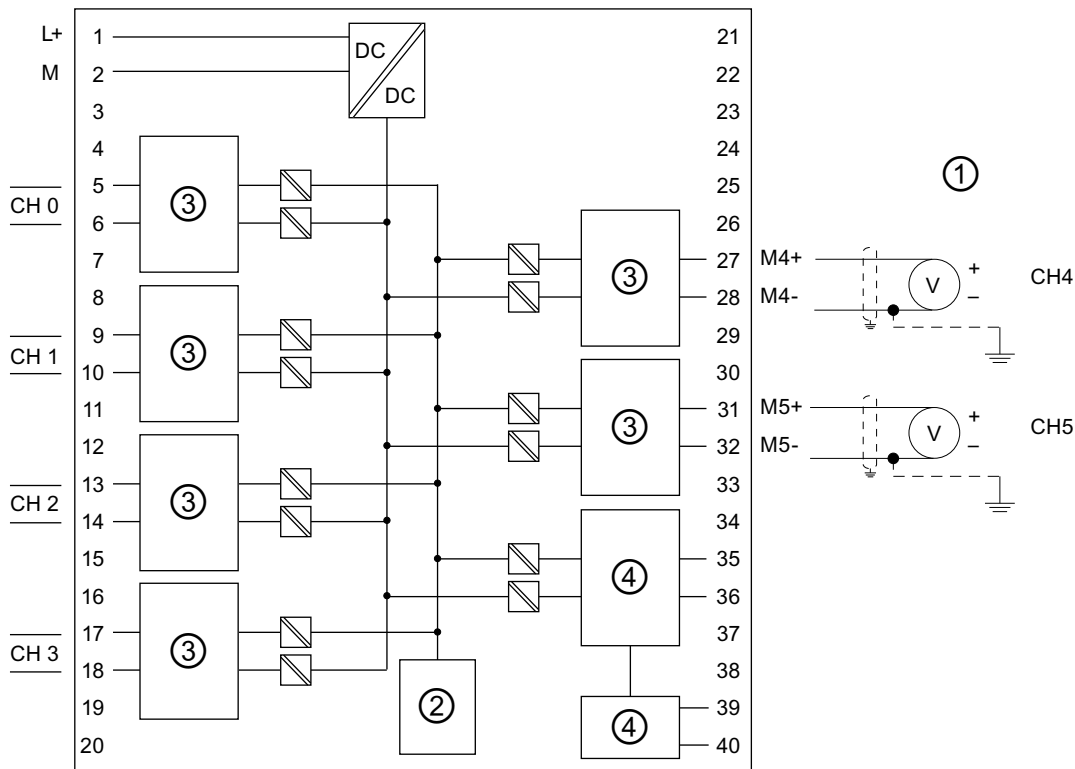
With this kind of compensation, the temperature of the terminals at the reference junction is regulated at 0 °C or 50 °C.



- ① Thermocouple via reference-junction terminal with copper wire at front connector
- ② Backplane bus interface
- ③ Analog digital converter (ADC)
- ④ External cold spot comparison (ADC and current source)
- ⑤ Reference junction regulated at 0 °C or 50 °C, for example, via compensation box (for each channel) or a thermostat

Figure 6-34 Reference junction

## Wiring: Voltage input



- ① Applied input voltage
- ② Backplane bus interface
- ③ Analog digital converter (ADC)
- ④ External cold spot comparison (ADC and current source)

Figure 6-35 Voltage input

## Technical specifications

Technical specifications	
<b>Dimensions and weight</b>	
Dimensions (W x H x D) (mm)	40 x 125 x 120
Weight	approx. 272 g
<b>Module-specific data</b>	
Supports isochronous mode	No
Cable length <ul style="list-style-type: none"> <li>• shielded</li> </ul>	Max. 200 m Max. 80 m in voltage ranges $\leq 80$ mV and where thermocouples are used.
<b>Voltages, currents, electrical potentials</b>	
Rated electronics supply voltage L + <ul style="list-style-type: none"> <li>• Reverse polarity protection</li> </ul>	24 VDC Yes

6.11 Analog input module SM 331, AI 6 x TC isolated (6ES7331-7PE10-0AB0)

Technical specifications			
Constant measuring current for resistance-type transmitters		Typ. 0.9 mA	
Electrical isolation			
<ul style="list-style-type: none"> <li>• between channels and the backplane bus</li> <li>• between channels and electronics power supply</li> <li>• between channels In groups of</li> </ul>		Yes Yes Yes 1	
Maximum potential difference			
<ul style="list-style-type: none"> <li>• between channels (<math>U_{CM}</math>)</li> <li>• Between the channels and <math>M_{internal}</math> (<math>V_{iso}</math>)</li> </ul>		250 VAC 250 VAC	
Isolation test voltage		2,500 VDC	
Current consumption			
<ul style="list-style-type: none"> <li>• from the backplane bus</li> <li>• from supply voltage L+</li> </ul>		max. 100 mA max. 150 mA	
Power loss of the module		Typ. 2.2 W	
Generation of analog values			
Measuring principle		Integrating	
<ul style="list-style-type: none"> <li>• Integration/conversion time/resolution (per channel) programmable</li> </ul>		Yes	
<ul style="list-style-type: none"> <li>• Integration time in ms<sup>(1)</sup></li> </ul>		10/16.67/20/100	
<ul style="list-style-type: none"> <li>• Basic conversion time in ms<sup>(2)</sup></li> </ul>		30/50/60/300	
<ul style="list-style-type: none"> <li>• Additional conversion time for wire-break monitoring</li> </ul>		65 ms	
<ul style="list-style-type: none"> <li>• Resolution (including overshoot range)</li> </ul>		15 bits + sign	
<ul style="list-style-type: none"> <li>• Interference frequency suppression at interference frequency f1 in Hz</li> </ul>		400/60/50/10	
Measured value smoothing		none/weak/medium/strong	
Interference frequency suppression, error limits			
Interference frequency suppression at $f = n \times (f1 \pm 1\%)$ , ( $f1 =$ interference frequency) $n = 1.2$ , etc.			
<ul style="list-style-type: none"> <li>• Common mode interference (<math>CMV &lt; 250</math> VAC)</li> <li>• Series-mode interference (peak interference value &lt; rated input range)</li> </ul>		> 130 dB <sup>(3)</sup> > 90 dB	
Crosstalk between inputs		> 130 dB <sup>(3)</sup>	
Operational limit (across entire temperature range, relative to measurement range end value in the selected input range, 0-60 °C). Note: This limit does not cover the temperature-error comparison points.			
Voltage input			
<ul style="list-style-type: none"> <li>• ± 25 mV</li> <li>• ± 50 mV</li> <li>• ± 80 mV</li> <li>• ± 250 mV</li> <li>• ± 500 mV</li> <li>• ± 1 V</li> </ul>		± 0.12% ± 0.08% ± 0.06% ± 0.05% ± 0.05% ± 0.05%	
Thermocouple <sup>(4)</sup> <sup>(5)</sup>			
Type T	-200 °C to	+400 °C	± 0.6 °C
	-230 °C to	-200 °C	± 1.6 °C



## 6.11 Analog input module SM 331, AI 6 x TC isolated (6ES7331-7PE10-0AB0)

Technical specifications			
Type U	-150 °C to	+600 °C	± 0.9 °C
	-200 °C to	-150 °C	± 1.2 °C
Type E	-200 °C to	+1000 °C	± 0.5 °C
	-230 °C to	-200 °C	± 1.3 °C
Type J	-150 °C to	+1200 °C	± 0.5 °C
	-210 °C to	-150 °C	± 1.2 °C
Type L	-150 °C to	+900 °C	± 0.9 °C
	-200 °C to	-150 °C	± 1.7 °C
Type K	-150 °C to	+1372 °C	± 0.8 °C
	-220 °C to	-150 °C	± 1.6 °C
Type N	-150 °C to	+1300 °C	± 1.1 °C
	-220 °C to	-150 °C	± 1.9 °C
Type R	+100 °C to	+1769 °C	± 1.2 °C
	-50 °C to	+100 °C	± 2.2 °C
Type S	+100 °C to	+1769 °C	± 1.2 °C
	-50 °C to	+100 °C	± 1.9 °C
Type B <sup>(5)</sup>	+700 °C to	+1820 °C	± 1.7 °C
	+500 °C to	+700 °C	± 1.9 °C
	+200 °C to	+500 °C	± 4.4 °C
Type C	+100 °C to	+2315 °C	± 2.3 °C
	0 °C	+100 °C	± 2.5 °C
Type TxK/XK(L)	-150 °C	+800 °C	± 1.0 °C
	-200 °C	-150 °C	± 1.5 °C
Basic error limit (operational limit at 25 °C, relative to the measurement range end value in the selected input range)			
Voltage input			
• ± 25 mV			± 0.04%
• ± 50 mV			± 0.03%
• ± 80 mV			± 0.03%
• ± 250 mV			± 0.02%
• ± 500 mV			± 0.02%
• ± 1 V			± 0.02%
Thermocouple <sup>(5)</sup>			
Type T	-150 °C to	+400 °C	± 0.4 °C
	-230 °C to	-150 °C	± 1.0 °C
Type U	-150 °C to	+600 °C	± 0.4 °C
	-200 °C to	-150 °C	± 1.0 °C
Type E	-100 °C to	+1000 °C	± 0.2 °C
	-230 °C to	-100 °C	± 1.0 °C
Type J	-150 °C to	+1200 °C	± 0.2 °C
	-210 °C to	-150 °C	± 0.5 °C

6.11 Analog input module SM 331, AI 6 x TC isolated (6ES7331-7PE10-0AB0)

Technical specifications			
Type L	-50 °C to	+900 °C	± 0.4 °C
	-200 °C to	-50 °C	± 1.0 °C
Type K	-100 °C to	+1372 °C	± 0.3 °C
	-220 °C to	-100 °C	± 1.0 °C
Type N	-150 °C to	+1300 °C	± 0.5 °C
	-220 °C to	-150 °C	± 1.2 °C
Type R	+200 °C to	+1769 °C	± 0.8 °C
	-50 °C to	+200 °C	± 1.5 °C
Type S	+100 °C to	+1769 °C	± 0.8 °C
	-50 °C to	+100 °C	± 1.5 °C
Type B <sup>(5)</sup>	+700 °C to	+1820 °C	± 1.0 °C
	+500 °C to	+700 °C	± 1.3 °C
	+200 °C to	+500 °C	± 3.0 °C
Type C	+100 °C to	+2315 °C	± 0.5 °C
	0 °C to	+100 °C	± 1.0 °C
Type TxK/XK(L)	-150 °C to	+800 °C	± 0.5 °C
	-200 °C to	-150 °C	± 1.0 °C
The accuracy of the temperature measurement with <i>internal compensation (terminal temperature)</i> is derived from: <sup>(4)</sup> <sup>(6)</sup>		<ul style="list-style-type: none"> <li>• Error for the analog input of the type of thermocouple used</li> <li>• Measuring accuracy for the temperature of the internal reference junction ± 1.5 K</li> </ul>	
The accuracy of the temperature measurement with <i>external compensation by means of thermoresistors connected locally or via remote access by means of an external thermoresistor module</i> is derived from: <sup>(4)</sup>		<ul style="list-style-type: none"> <li>• Error for the analog input of the type of thermocouple used</li> <li>• Measuring accuracy for the type of thermoresistor used for compensation purposes</li> <li>• Error for the compensation input (local connection) ± 0.5 K</li> <li>• Error for the thermoresistor module (remote connection)</li> </ul>	
The accuracy of the temperature measurement with <i>compensation of the external reference junction, which is maintained at 0 °C/50 °C</i> , is derived from: <sup>(4)</sup>		<ul style="list-style-type: none"> <li>• Error for the analog input of the type of thermocouple used</li> <li>• Measuring accuracy for the temperature of the reference junction</li> </ul>	
Temperature error (relative to input range)			
Voltage input			
• ± 25 mV		± 0.0023%/K	
• ± 50 mV		± 0.0015%/K	
• ± 80 mV		± 0.0010%/K	
• ± 250 mV		± 0.0010 %/K	
• ± 500 mV		± 0.0010 %/K	
• ± 1 V		± 0.0010%/K	

## 6.11 Analog input module SM 331, AI 6 x TC isolated (6ES7331-7PE10-0AB0)

Technical specifications		
Thermocouple (at integration time of 100 ms)		
Type T	± 0.0060 K/K	
Type U	± 0.0175 K/K	
Type E	± 0.0086 K/K	
Type J	± 0.0086 K/K	
Type L	± 0.0175 K/K	
Type K	± 0.0143 K/K	
Type N	± 0.0175 K/K	
Type R	± 0.0115 K/K	
Type S	± 0.0115 K/K	
Type B	± 0.0200 K/K	
Type C	± 0.0515 K/K	
Type TxK/XK(L)	± 0.0143 K/K	
Linearity error (relative to input range)	± 0.05%	
Repeat accuracy (in settled state at 25 °C, relative to input range)	± 0.05%	
Status, interrupts, diagnostics		
Interrupts		
• Hardware interrupt		Programmable (channels 0 to 5)
• Diagnostic interrupt		programmable
Diagnostic functions		programmable
• Group error display		red LED (SF)
• Reading diagnostics information		Supported
Sensor selection data		
Input ranges (rated values) / input impedance		
• Thermocouple	Type B, C, N, E, R, S, J, L, T,	10 MΩ
• Voltage	K, U, TxK/XK (L)	
	± 25 mV	10 MΩ
	± 50 mV	10 MΩ
	± 80 mV	10 MΩ
	± 250 mV	10 MΩ
	± 500 mV	10 MΩ
	± 1 V	
Maximum input voltage for voltage input (destruction limit)	35 VDC continuous; 75 VDC for the duration of max. 1 s (duty factor 1:20)	
Characteristics linearization	programmable	
Temperature compensation	programmable	
• Internal temperature compensation	Supported	
• External temperature compensation with Pt 100	Supported	
• Compensation for 0 °C reference junction temperature	Supported	
• Compensation for 50 °C reference junction temperature	Supported	
• Technical unit of temperature measurement	Degrees Centigrade/Degrees Fahrenheit/Kelvin	
Wiring of the signal sensors	using a 40-pin front connector	
<p>1. The integration time of the module at 400 Hz suppression is displayed in HW Config as 2.5 ms. To achieve the required resolution of 15 bits (plus sign), an integration time of 10 ms is needed.</p> <p>2. If wire-break monitoring is active, the module cycle is performed within the basic conversion time + 65 ms. and the reaction time to a change in the step input is no longer than twice the module-cycle time. If wire-break monitoring is inactive, in the best-case scenario the module-cycle time is exactly the same as the integration time. However, this time interval cannot be guaranteed due to the time needed to process the input channels. If wire-break monitoring is inactive, the reaction time to a change in the step input is no longer than four times the integration time.</p>		

Technical specifications
<p>3. Common mode interference suppression and crosstalk between inputs are executed at &gt; 130 dB, if 10 Hz, 50 Hz, or 60 Hz has been selected as the interference frequency. If 400 Hz has been selected as the interference frequency, common mode interference suppression and crosstalk between inputs are implemented at &gt; 110 dB</p> <p>4. The operational limit comprises only the basic error of the analog input at Ta = 25 °C and the total temperature error. The total error must include the compensation error of the cold reference junction. Internal compensation of the reference junction = max. 1.5 °C External compensation of the reference junction = accuracy of the external thermoresistor used ± 0.1 °C. External compensation of the reference junction, which maintains the reference junction at 0 °C or 50 °C = accuracy of temperature control for the reference junction.</p> <p>5. An integration time of 100 ms is recommended for thermocouple measurements. Integration times set lower than this will result in a higher repeat-accuracy error for the temperature measurements.</p> <p>6. With thermocouple type B, a missing compensation of the reference junction temperature has no significant effect owing to its slight increase from approx. 0 °C to 40 °C. With missing compensation and set measuring type "Compensation to 0 °C", the deviation with thermocouple type B at measuring temperatures between:</p> <ul style="list-style-type: none"> <li>– 700 °C and 1820 °C is &lt; 0.5 °C</li> <li>– 500 °C and 700 °C is &lt; 0.7 °C.</li> </ul> <p>If the reference junction temperature is approximately that of the module temperature, "internal compensation" should be set. As a result, the error for the temperature range from 500 °C to 1820 °C is reduced to &lt; 0.5 °C.</p>

### 6.11.1 Measurement types and measuring ranges

#### Measurement types and measuring ranges

The measurement type and measuring range is configured at the "measuring range" parameter in *STEP 7*.

Selected measurement type	Measuring range
Voltage	± 25 mV ± 50 mV ± 80 mV ± 250 mV ± 500 mV ± 1 V
TC-L00C: (thermocouple, linear, 0 °C reference temperature) TC-L50C: (thermocouple, linear, 50 °C reference temperature) TC-IL: (thermocouple, linear, internal comparison) TC-EL: (thermocouple, linear, external comparison)	Type B Type C Type E Type J Type K Type L Type N Type R Type S Type T Type U Type TxK/XX(L)

## 6.11.2 Programmable parameters

### Adjustable parameters

For general information on programming analog modules, refer to the section titled Programming analog modules (Page 244).

Parameters	Range of values	Default	Type of parameter	Scope
Diagnostics <ul style="list-style-type: none"> <li>Group diagnostics</li> <li>With wirebreak monitoring</li> </ul>	Yes/no Yes/no	No No	Static	Channel
Enable <ul style="list-style-type: none"> <li>Diagnostic interrupt</li> <li>Hardware interrupt when limit exceeded</li> <li>Auto-calibration</li> </ul>	Yes/no Yes/no Yes/no	No No Yes	Dynamic	Module
<ul style="list-style-type: none"> <li>Temperature unit</li> </ul>	Degrees Celsius; degrees Fahrenheit; Kelvin	degrees Celsius	Dynamic	Module
<ul style="list-style-type: none"> <li>Interference frequency suppression</li> </ul>	400 Hz; 60 Hz; 50 Hz; 10 Hz	50 Hz	Dynamic	Module
Measurement <ul style="list-style-type: none"> <li>Measurement type</li> </ul>	disabled TC-IL thermocouple (linear, internal comparison) TC-EL thermocouple (linear, external comparison) TC-L00C thermocouple (linear, 0 °C reference temperature) TC-L50C thermocouple (linear, 50 °C reference temperature)	TC-IL:	Dynamic	Channel
<ul style="list-style-type: none"> <li>Measuring range</li> </ul>	See chapter Measurement types and measuring ranges (Page 352)	Type K		
<ul style="list-style-type: none"> <li>Response to open thermocouple</li> </ul>	Overflow; underflow	Overflow	Dynamic	Channel
<ul style="list-style-type: none"> <li>Smoothing</li> </ul>	None Low Average High	None	Dynamic	Channel
<ul style="list-style-type: none"> <li>External reference junction</li> </ul>	Local thermoresistor	Local thermoresistor	Dynamic	Channel
<ul style="list-style-type: none"> <li>Temperature coefficient</li> </ul>	0.003850 (IPTS-68) 0.003850 (ITS-90) 0.003916 0.003902 0.003920 0.003910 (GOST)	0.003850 (IPTS-68)	Dynamic	Module
Hardware-interrupt trigger <ul style="list-style-type: none"> <li>High limit</li> <li>Low limit</li> </ul>	32511 to -32512 From - 32512 to 32511	32767 -32768	Dynamic	Channel

### 6.11.3 Additional information relating to SM 331; AI 6 x TC

#### Using the module

The following hardware and software requirements must be met to use the SM 331; AI 6 x TC isolated S7-300 analog input module:

- If the module is to be used centrally in S7-300, all CPUs must have firmware version 2.6 or higher (with the exception of 6ES7318-2AJ00-0AB0).
- If the module is to be used on a distributed basis in ET 200M, the following IM 153 modules are suitable:  
6ES7153-1AA03-0XB0, product version 12 or higher  
6ES7153-2BA02-0XB0  
6ES7153-2BA82-0XB0  
6ES7153-4BA00-0XB0  
6ES7153-4AA01-0XB0
- A GSD file must be used if the module is part of a distributed installation and controlled by a master produced by a third-party manufacturer with DPV1 support (operation with DPV0 is not supported). The GSD file for the selected IM 153 is available for download from the Internet (<http://www.siemens.com/automation/service&support>).
- STEP 7 V5.4 SP4 (HSP0158) or higher
- For user calibration:  
SIMATIC PDM V6.0 + SP3 + HF2 (HSP0158) or PDM V6.0 + SP4 or higher  
and EDD for ET 200M "DP\_IOSystem\_Siemens\_ET200M\_Module.Device" V1.1.10 or higher.

#### Unused channels

Set the "disabled" value at the "measurement type" parameter for unused channels. Unused channels should also be short-circuited at the connection plug.

Effect of this measure:

- You prevent measurement errors at the unused channels.
- You suppress diagnostic messages from the unused channels.

#### Short-circuit to M or L

The module does not suffer any damage if you short-circuit an input channel to M or L. The channel continues to output valid data and does not report a diagnostics event.

#### Special features of channel groups with respect to hardware interrupts when limit is exceeded

You can set the high and low limits triggering hardware interrupts separately for each channel in STEP 7.

#### Hardware interrupt

The table below shows the contents of the 4 bytes of additional OB40 information during a hardware interrupt.

Content of the 4 bytes with additional information		2 <sup>7</sup>	2 <sup>6</sup>	2 <sup>5</sup>	2 <sup>4</sup>	2 <sup>3</sup>	2 <sup>2</sup>	2 <sup>1</sup>	2 <sup>0</sup>	Byte
Special analog	2 bits per channel to identify the range									
	High limit exceeded at channel			5	4	3	2	1	0	0

Content of the 4 bytes with additional information		2 <sup>7</sup>	2 <sup>6</sup>	2 <sup>5</sup>	2 <sup>4</sup>	2 <sup>3</sup>	2 <sup>2</sup>	2 <sup>1</sup>	2 <sup>0</sup>	Byte
flags	Low limit undershot at channel			5	4	3	2	1	0	1
	Free byte									2
	Free byte									3

### Startup characteristics and compensation time monitoring (watchdog) for external cold spot compensation via remote thermoresistor

When the module starts up, all inputs report an overflow (32767). Once a compensation value has been received via data record 2, the module starts to read the TC inputs and to output correct data. If the module does not receive any data from data record 2 within 5 minutes of startup, a reference channel fault is reported in the standard channel diagnostics data. If enabled, a diagnostic interrupt is sent.

The module features time monitoring (watchdog) set to 5 minutes, which is reset when a new compensation value is received via data record 2. If the module does not receive any data from data record 2 within the 5 minute interval set for the time-monitoring function in normal operation, a reference channel fault is reported in the standard channel diagnostics data. If enabled, a diagnostic interrupt is sent.

### Internal calibration while the process is running

The module can compensate most of the internal temperature-drift errors. Internal calibration while the process is running is always executed after startup, when parameters are reassigned, and when the power is switched on/off. Once the relevant parameters have been activated, internal calibration while the process is running is also performed if the ambient temperature at the module changes by 5 degrees Celsius. Enabling calibration while the process is running interrupts the module I/O cycle until calibration is complete. The duration of the interruption depends on the programmed interference frequency; see the table below for information about this relationship.

### Duration of interruption caused by calibration while the process is running

Interference frequency	Duration of interruption
10 Hz	600 ms
50 Hz	120 ms
60 Hz	100 ms
400 Hz (100 Hz)	60 ms

Calibration while the process is running should be activated to ensure measuring accuracy over a long period of time. Some applications do not permit an interruption of the I/O cycle. In such cases, you can disable the parameter for calibration while the process is running, although this will result in less accurate measurements over time. The parameter for calibration is activated as standard while the process is running.

### Compensation of the reference junction

If the measuring point is exposed to a different temperature than the free ends of the thermocouple (connection point), a voltage known as the thermoelectric voltage arises between the free ends.

The level of the thermoelectric voltage depends on the difference between the temperature at the measuring point and that at the free ends, as well as on the type of materials combined

6.11 Analog input module SM 331, AI 6 x TC isolated (6ES7331-7PE10-0AB0)

in the thermocouple. Because a thermocouple always detects any temperature difference, the free ends at the reference junction must be maintained at a certain temperature to determine the temperature at the measuring point.

**External compensation of the reference junction via remote thermoresistor**

The reference-junction temperature can also be measured via an external module and transferred to the AI 6 x TC isolated module by means of SFC 58 in data record 2 (DR2). The permitted reference temperature corresponds to the Pt100 climatic temperature range for platinum thermoresistors.

$$\begin{aligned} & -145.0\text{ }^{\circ}\text{C} \leq t_{\text{ref}} \\ & -229.0\text{ }^{\circ}\text{F} < t \leq +155.0\text{ }^{\circ}\text{C}_{\text{ref}} \\ & +128.2\text{ K} < t < +311.0\text{ }^{\circ}\text{F}_{\text{ref}} < +327.6\text{ K} \end{aligned}$$

The Kelvin measurement is only limited to 327.6 if the reference temperature is output in technical units. If the reference temperature is reported in standard units, the Kelvin measurement limit is 428.2 K.

If a reference value above the permitted temperature limit is received in DR2, it will cause a reference channel fault, which is displayed in the standard channel diagnostic data. If enabled, a diagnostic interrupt is sent.

---

**NOTE**

If an analog input module such as AI 8 x thermoresistor is used to measure the reference-junction temperature, the thermoresistor module parameters for the output structure and the measuring accuracy must be represented by bytes 0 and 1 in data record 2. This is shown in the figure "Structure of data record 2 for SM 331; AI 6 x TC". If the external thermoresistor module does not provide correct information about data structure and scaling, it will lead to inaccurate measurements being output by the isolated SM 331; AI 6 x TC module.

---



**Structure of data record 2 for SM 331; AI 6 x TC**

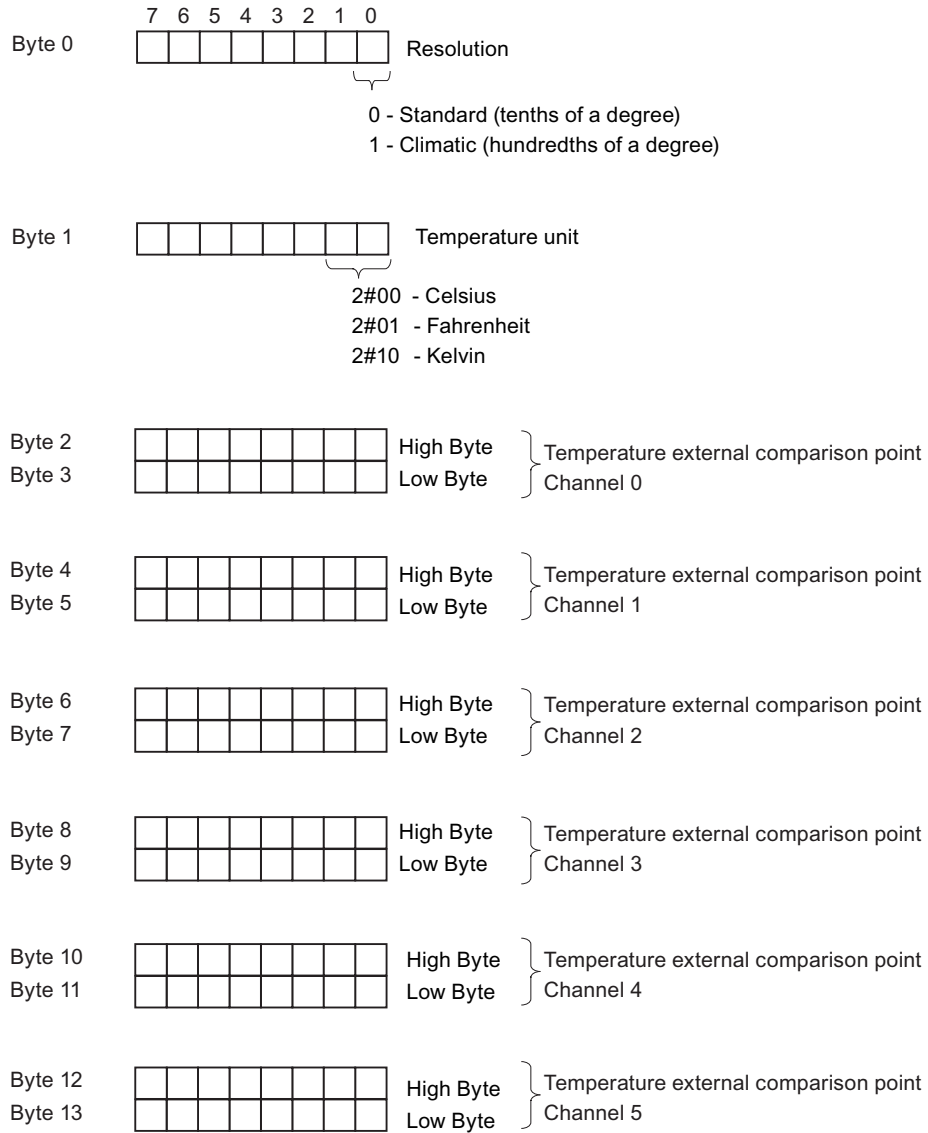


Figure 6-36 Structure of data record 2 for SM 331; AI 6 x TC

## Compensation of the thermocouple via an external Pt100 element with external thermoresistor module

Because of the flexible structure of data record 2, you can use a separate external Pt100 element for each channel. In addition, the channels can also be grouped together by means of the user application in such a way that they all use the same external Pt100. This simply requires the same temperature value to be specified in DR2 for all the channels which use the same reference temperature.

### NOTE

Reference-junction compensation also results in an error in the temperature measured by the isolated AI 6 x TC module. For this reason, great care must be taken when detecting the reference junction. To keep this error to an absolute minimum, the reference-junction temperature must remain as constant as possible.

### Example: Transfer of a temperature value as a cold-spot temperature for channels 0 to 5, from a thermoresistor module to AI 6 x TC:

Input address of AI 6 x TC: 238 (module address)  
Input address of the thermoresistor: 128 (channel address)

Occupied memory:

M 20.0: Request bit for SFC "WR\_REC"

M 20.1: Busy bit for SFC "WR\_REC"

MW 22: Return value for SFC "WR\_REC"

MW 0 to MW 12: Memory for data transfer (see table below).

```

UN      M      20.0      // Check the request: new cold spot temperature
UN      M      20.1      // Check whether WR_REC is busy
SPB     END
SPB     END
U       M      20.1      //Check whether WR_REC is busy
SPB     WRT
        //Create the memory for data transfer
L       B#16#01         // Transfer the temperature in hundredths1
                        // of a degree (Pt100 climatic))
T       MB      0
L       B#16#02         // Transfer the temperature in Kelvin
T       MB      1
L       PEW     128     // Read out the input address of the used channel
                        // of
                        // the thermoresistor module
T       MW      2       // for channel 0 of AI 6 x TC
T       MW      4       // for channel 1 of AI 6 x TC
T       MW      6       // for channel 2 of AI 6 x TC
T       MW      8       // for channel 3 of AI 6 x TC
T       MW     10       // for channel 4 of AI 6 x TC
T       MW     12       // for channel 5 of AI 6 x TC
        // Transfer the cold-spot temperature to AI 6 x TC
WRT:    CALL "WR_REC"
        REQ           :=M20.0           // Request bit for data transfer
IOID    :=B#16#54
LADDR   :=W#16#EE           // Input address of AI 6 x TC
RECNUM  :=B#16#2           // Data record number must be set to 2
RECORD  :=P#M 0.0 Byte 14 // Indicator for the memory for data
                        // transfer, 14 bytes long
RET_VAL :=MW22             // Return value for SFC "WR_REC"
BUSY    :=M20.1           // Busy bit of SFC "WR_REC"
U       M      20.1      // check whether WR_REC is busy
SPB     END
        CLR
        =      M      20.0           // Reset request for cold-spot

```

```
END:      NOP 0          // temperature
```

This is just an example. The logic and memory allocation must be adapted to the structure of the particular PLC program used.

The return value of SFC "WR\_REC" (MW 22) can be evaluated in accordance with the structure of the PLC program used. Additional information is available in the manual titled System Software for S7-300/400 System and Standard Functions

(<http://support.automation.siemens.com/WW/view/en/1214574>).

## 6.11.4 Firmware update via HW Config for analog input module SM 331; AI 6 x TC

### Introduction

Depending on the available compatible function updates, the module AI 6 x TC can be updated to the newest firmware version.

The most recent firmware versions are available from your Siemens representative or from the Internet (<http://www.siemens.com/automation/service&support>).

### Requirements

- STEP 7 V 5.4 SP4 (HSP0158) or higher
- For central use of the module AI 6 x TC in a S7-300, the firmware update must occur in the CPU-operating mode STOP. If the CPU is in the RUN operating mode, it may result in unexpected behavior and the module will first be available again after a network off/network on.
- If the module AI 6 x TC is set in a distributed IO device ET 200M, a firmware update is also possible in the CPU-operating mode RUN.

### Firmware update

This is how you update the firmware of a central or distributed module with the IM 153:

1. Select the module AI 6 x TC in HW Config.
2. Select the "SPS" > "Update Firmware" menu command.
3. Use the "Browse" button to select the path to the firmware files (\*.upd).
4. Click the "Execute" button.
  - The module performs the firmware update.

For additional information, refer to the STEP 7 online help.

---

**NOTE**

- During the firmware update, the OB 83 (alarm due to removing and inserting modules), the OB 85 (program execution error) and the OB 86 (error due to module rack failure) are opened. If the diagnostics alarm of the module is approved, the OB 82 will also be opened during the firmware update. Make sure that the OB is set correspondingly.
  - If the red LED (SF) on the module blinks, an error occurred during the firmware update and the update must be repeated. In this case, the bootloader version Ex.x.x is displayed in the online diagnostics.
  - A firmware update through HW-config is not permitted if the AI 6 x TC module is in redundant mode.
- 

### Identification of the firmware

After the firmware update, you must label the firmware version on the module.

#### 6.11.5 I&M data for identifying the analog input module SM 331; AI 6 x TC

##### Properties

I data: Information about the module, which is normally found on the module casing. I-data is write-protected. They include:

- Hardware release status
- Firmware release status
- Serial number

M data: System-dependent information (e.g. plant designation).

M data is created during configuration.

All identification data (I&M-data) is retentively saved in a module and supports you with the following tasks:

- Error search and repair in the system
- Testing the system configuration
- Finding changes to the system hardware

##### Reading and writing the identification data with STEP 7

System-dependent information is configured in the properties dialog field of the module.

You obtain information on the module (I data) from the module status dialog. The system-dependent information on the module is displayed here too.

---

**NOTE**

I&M data can only be written if the CPU is in the STOP operating mode.

The AI 6 x TC supports only I&M0 and I&M1 data.

---

## 6.11.6 Calibration of analog input module SM 331; AI 6 x TC

### Introduction

The SM 331 is calibrated at the factory and complies with the specified accuracy values. As a rule, there is no need to recalibrate the module.

With certain systems, it may be advisable or even a requirement laid down in standards (as required by particular institutions in the food and beverage or pharmaceutical industries) to recalibrate the module once it has been integrated into the system, for example, at specific time intervals.

Particularly in systems where sensors detect and/or process relatively low voltages and/or currents, it may be advisable to perform recalibration when the module is in the system including all connected cables. This approach compensates any influence by cables and/or temperature.

If you carry out a calibration procedure, new calibration values are detected and saved retentively on the module. This means that the calibration values determined for the module at the factory prior to delivery are not lost when users perform their own calibration work. You can revert to these original calibration values at any time.

---

#### NOTE

The calibration values from each channel are saved retentively on the module for a specific measuring range, which means they only apply to the measuring range in which the user calibration work was performed.

If the parameters of a channel which has active user-calibration values are reassigned to change the measuring range, the calibration values saved at the factory for this channel and this measuring range are used from this point on.

However, the user-calibration values still remain in the memory; they are not overwritten until the user calibrates the channel again. But if the original measuring range is reset for this channel without the user performing the calibration procedure again, the user-calibration values which have already been established become effective once more.

---

### Requirements

The calibration function can only be used in a distributed installation and in conjunction with the SIMATIC PDM ("Process Device Manager").

The following requirements must be met to use the module calibration functions: SIMATIC PDM V6.0 + SP3 or higher + HF2 in conjunction with HSP158, or SIMATIC PDM V6.0 + SP4 or higher, and the EDD for the ET 200M, "DP\_IOSystem\_Siemens\_ET200M\_Module.Device", Version V1.1.10 or higher

User calibration is not permitted if the AI 6 x TC module is running in redundant mode.

### Launching the calibration function

The following diagrams show the sequence of a user calibration in SIMATIC PDM V6.0 + SP5. More recent versions of SIMATIC PDM can deviate from the content of these diagrams.

6.11 Analog input module SM 331, AI 6 x TC isolated (6ES7331-7PE10-0AB0)

The module calibration function is launched in the SIMATIC PDM via <Device ⇒ Calibration> for the selected module.

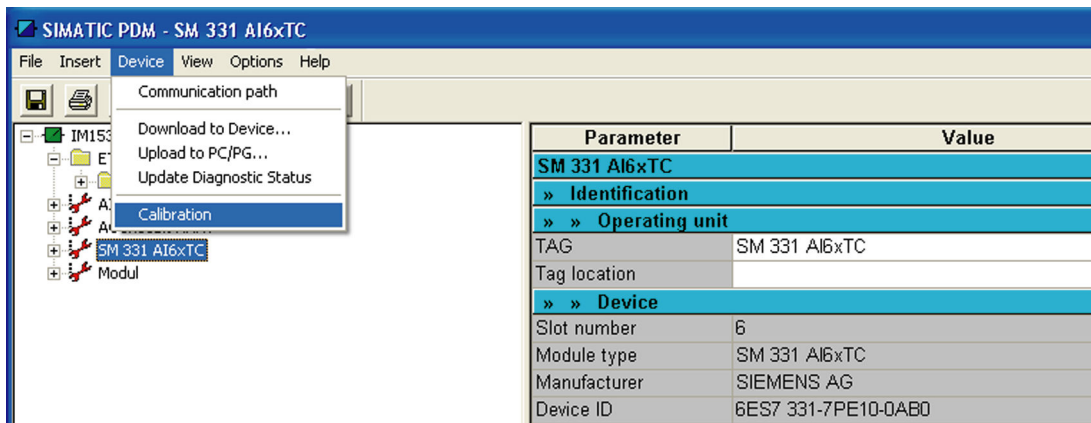


Figure 6-37 Calibration function

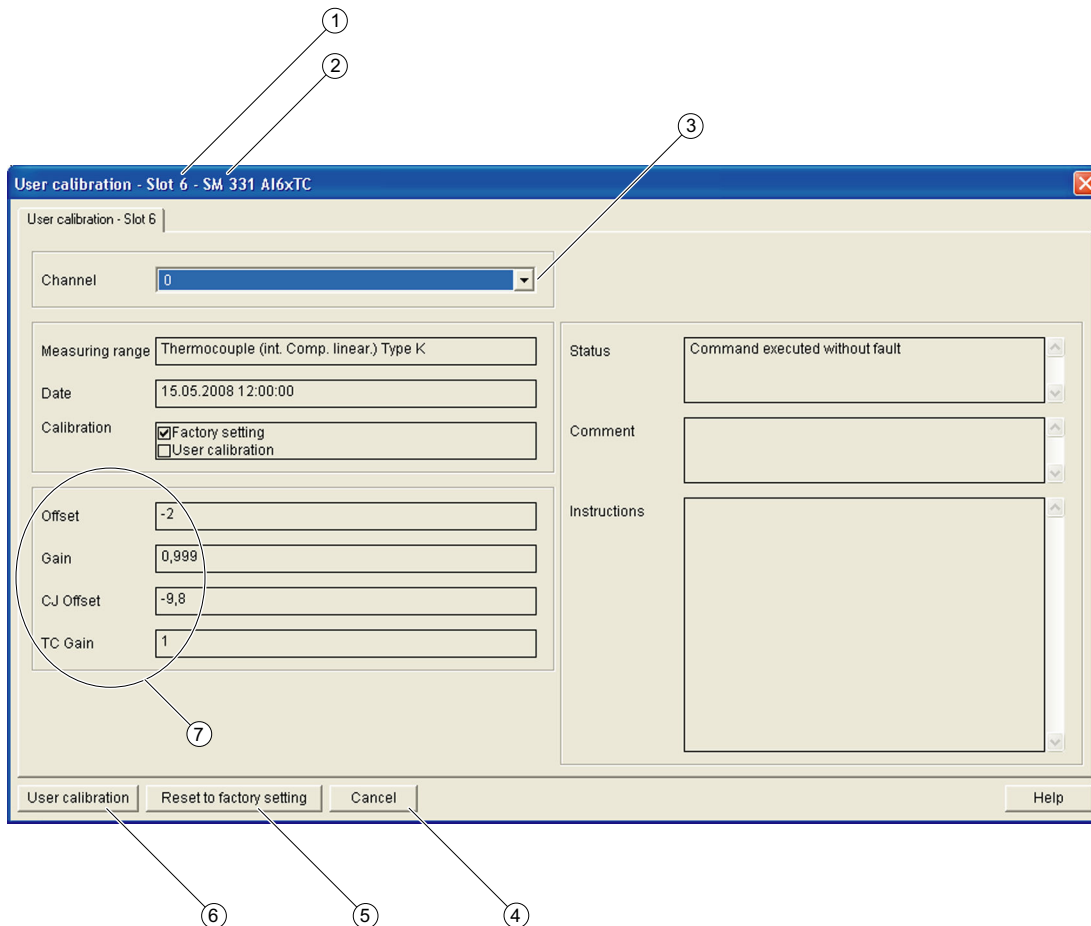
Once the calibration function has been launched, the calibration start screen appears. Each time a new channel is selected, the module reads the following general data and calibration values:

General data:

- Measuring range: Currently programmed measuring range for the selected channel
- Date: Date and time when the displayed calibration values were determined
- Calibration: Indicates whether the currently active calibration values are factory-set or user values

**Calibration values:**

- Offset: Currently active offset for the analog digital converter
- Gain: Currently active gain for the analog digital converter
- CJ Offset: Currently active temperature offset for the internal reference-temperature sensor (only relevant for TC-IL thermocouples)
- TC Gain: Currently active gain for recording the temperature (only relevant for TC-IL, TC-EL, TC-L00C, and TC-L50C thermocouples)



- ① Slot address of the module
- ② Current system ID (HID)
- ③ Selection of the channel to be calibrated
- ④ Cancels the calibration function
- ⑤ Resets the calibration values of the selected channel to the factory settings
- ⑥ Starts user calibration for the selected channel
- ⑦ Current calibration values

Figure 6-38 User-calibration values

## Options

Now you can:

- Start user calibration for the selected channel  
-> "User calibration" button
- Reset the calibration values set at the factory for the selected channel  
-> "Reset to factory setting" button
- Cancel the calibration function  
-> "Cancel" button

---

### NOTE

If you reset the currently active channel to its factory settings, the original calibration values saved on the module when it was delivered become valid again. Any user-calibration values which may exist for this channel are then lost. You cannot restore these user-calibration values.

---

## User calibration

User calibration is started for the selected channel by pressing the "User calibration" button. A 24 V load voltage must be applied at the module for calibration.

The user calibration function re-establishes the calibration values required by the selected channel in accordance with the measuring range which has been programmed for that channel.

Calibration can be executed in the CPU's RUN or STOP operating modes. Please note that in the CPU's RUN operating mode, the module does not return any correct analog values to the process for the duration of the calibration.

---

### NOTE

While user calibration is ongoing, none of the module channels can handle new process values.

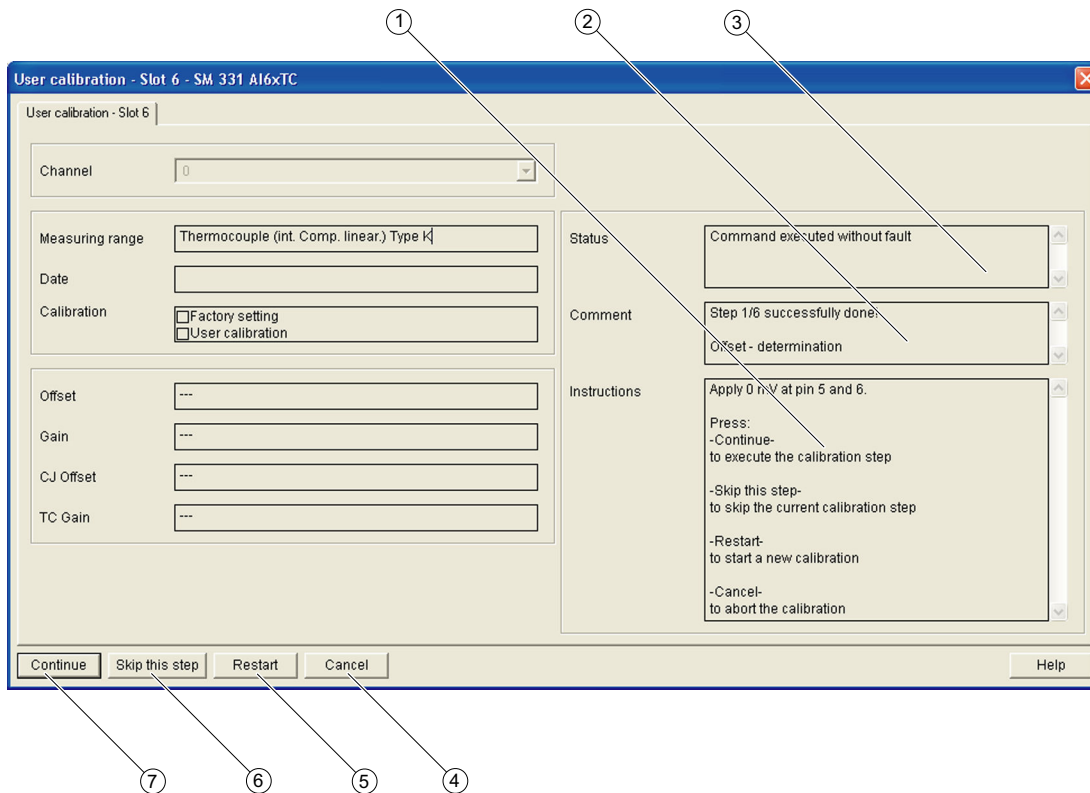
- All analog input values of the module are set to 0x7FFF ("invalid analog value") until calibration is complete.
  - All channels indicate this status by means of a corresponding channel-diagnostic function using the second type of diagnosis (see Section 1.7, "Diagnostics of the analog input module SM 331; AI 6 x TC isolated").
- 

The previously selected channel is calibrated using the calibration display which is output. Calibration consists of several different steps, during which the individual calibration values are determined.

- If a fault occurs during calibration or if new parameters are assigned to the module, the calibration of the relevant channel is canceled and the most recently active calibration values for the channel become effective once more. All of the calibration values recorded up to this point are lost. The module can now handle the current process values once again.
- Calibration can be canceled at any time once it has been started. Following cancellation, the previously active calibration values take effect again and the calibration values recorded up to this point are lost. The module can now handle the current process values once again.



You must provide a voltage and/or temperature during user calibration. You do this by using the appropriate external wiring and an external voltage/temperature transmitter. As shown in the figure "User-calibration status", the "Instructions" field indicates the numbers of the pins where the calibration stimulus can be applied. The first pin number corresponds to the positive terminal, the second to the negative terminal. The accuracy of the calibration depends on the accuracy of the voltage/temperature supplied. To ensure that the module maintains the specified measuring accuracy following user calibration, the voltage/temperature provided must demonstrate an accuracy at least twice that defined for the module. Inaccurate voltages or temperatures will result in an incorrect calibration.



- ① Here you will find instructions on how to carry out the currently active calibration step
- ② Here you will find information relating to the currently active calibration step
- ③ Here you will find information relating to the current status of the calibration procedure
- ④ Cancels the calibration function completely
- ⑤ Cancels the currently active calibration and returns to the calibration start screen
- ⑥ Skips the currently active calibration step
- ⑦ Confirms the currently active calibration step and proceeds to the next step

Figure 6-39 User-calibration status

### Status

Several different calibration steps are required to calibrate a channel, depending on the measurement type which has been set. The "Status" field indicates whether the last calibration step was completed with or without a fault. If a fault occurs while a calibration step is being executed, the fault is indicated here and the calibration for that channel is canceled. All calibration values recorded up to that point are deleted. The calibration values which were active before the user-calibration function was launched take effect once more.

### Comment

The following entries are displayed in the "Comment" field:

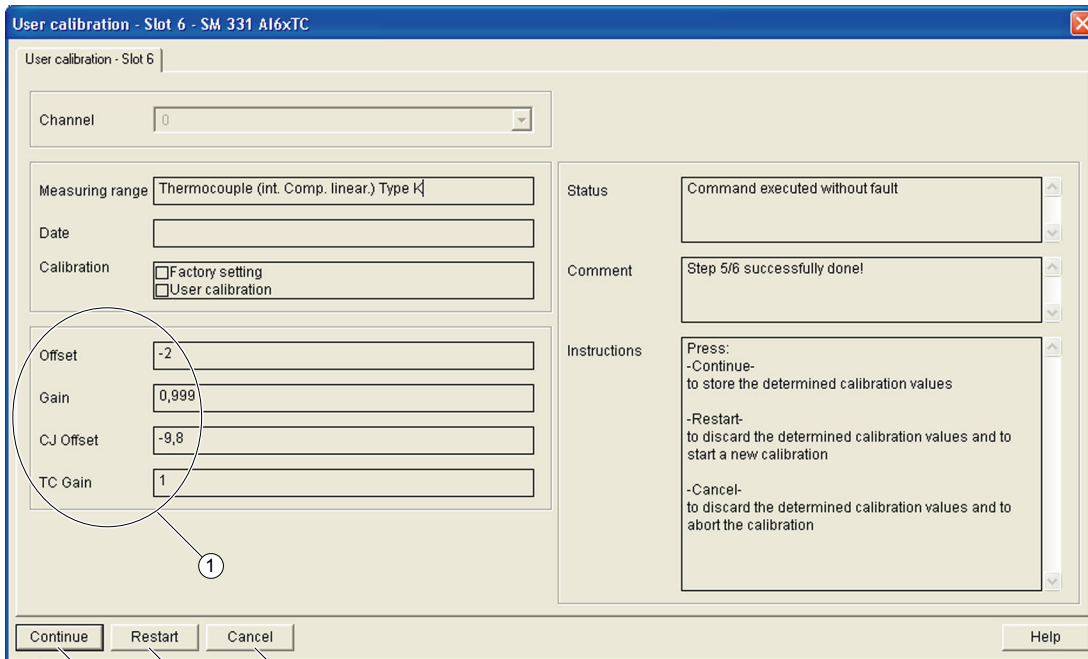
- The number of calibration steps completed thus far
- The number of calibration steps which still need to be carried out for the channel to be fully calibrated
- The calibration value currently being determined by the module

**Instructions**

The "Instructions" field indicates which actions the user has to personally carry out for the currently active calibration step. Perform the actions indicated here and confirm by pressing the "Continue" button. The module now executes the actions required for the currently active calibration step. If this step is processed without a fault, the function proceeds to the next calibration step.

If you want to avoid recording existing calibration values again during user calibration, confirm the currently active calibration step by pressing the "Skip this step" button (rather than "Continue"). In this case, the factory-set calibration value is used for the calibration step which has been skipped (see "Comment" field).

In the last calibration step, the values determined during the course of calibration are displayed.



- ① New calibration values
- ② Cancels the calibration function completely
- ③ Cancels the currently active calibration and returns to the calibration start screen
- ④ Confirms the determined calibration values, saves the values, and returns to the calibration start screen

Figure 6-40 User-calibration values

You can now adopt these calibration values as the new values for this channel by pressing the "Continue" button. The calibration values are saved retentively and the channel calibration is complete.

If you do not want to use the displayed calibration values, you can either return to the start screen and start a new calibration procedure by pressing the "Restart" button, or exit calibration altogether by pressing the "Cancel" button.

## 6.12 Analog output module SM 332; AO 8 x 12 bit; (6ES7332-5HF00-0AB0)

### Order number

6ES7332-5HF00-0AB0

### Order number: "SIPLUS S7-300 module"

6AG1332-5HF00-2AB0

### Properties

- 8 outputs in one group
- The output can be selected by individual channel
  - Voltage output
  - Current output
- Resolution 12 bits
- Programmable diagnostics and diagnostic interrupt
- Programmable diagnostic interrupt
- Electrically isolated from the backplane bus interface and load voltage
- Supports parameter reassignment in RUN

### Diagnostics

For information on diagnostics messages at the "group diagnostics" parameter, refer to chapter Diagnostic messages of analog output modules ([Page 246](#)).

### Terminal assignment

The diagrams below show various wiring options. These examples apply to all channels (channel 0 to 7).

---

#### NOTE

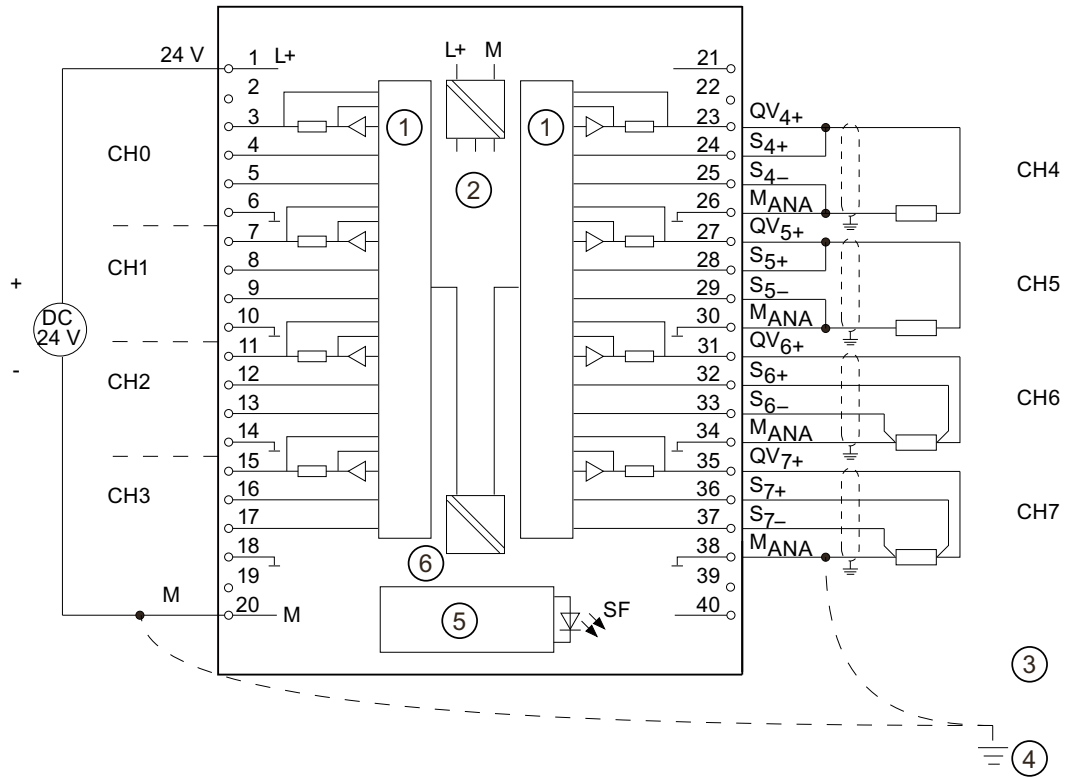
When you switch the rated load voltage (L+) off and on, the outputs can return incorrect voltage/current values for the duration of about 500 ms.

---

**Wiring: 2 and 4-wire connection for voltage output**

The following image depicts:

- 2-wire connection, no compensation for line impedance and
- 4-wire connection with compensation for line impedance



- ① DAC
- ② Internal supply
- ③ Equipotential bonding
- ④ Functional ground
- ⑤ Backplane bus interface
- ⑥ Electrical isolation

Figure 6-41 Wiring and block diagram

**Wiring: Current output**

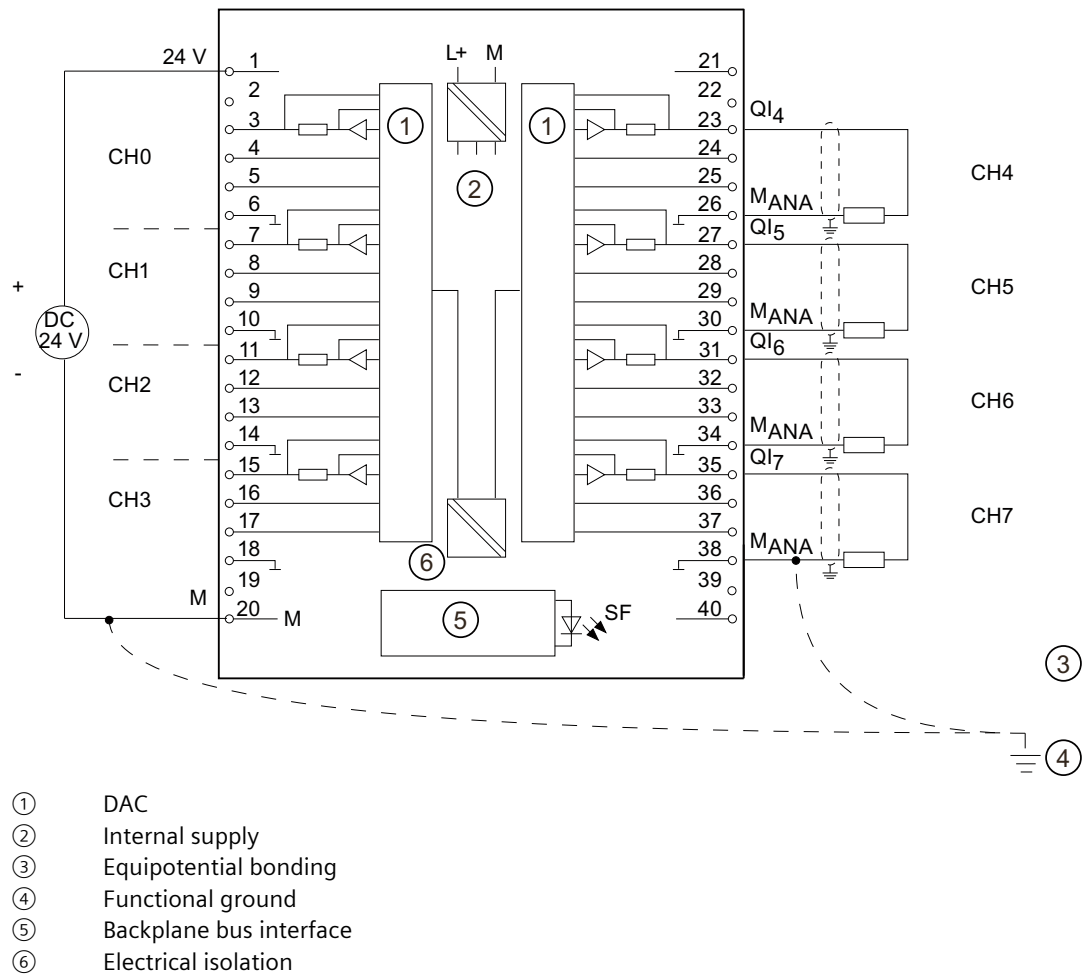


Figure 6-42 Wiring and block diagram

**Technical specifications**

Technical specifications	
<b>Dimensions and weight</b>	
Dimensions W x H x D (mm)	40 x 125 x 117
Weight	ca. 272 g
<b>Module-specific data</b>	
Supports parameter reassignment in RUN	Yes
Reaction of non-programmed outputs	Return the output value which was valid before the parameterization
Supports isochronous mode	no
Number of inputs	8
Cable length • shielded	max. 200 m
<b>Voltages, currents, electrical potentials</b>	

6.12 Analog output module SM 332; AO 8 x 12 bit; (6ES7332-5HF00-0AB0)

<b>Technical specifications</b>	
Rated load voltage L+ • Reverse polarity protection	24 V DC yes
• Electrical isolation • between channels and the backplane bus • between channels and electronics power supply • between channels • between channels and load voltage L+	yes yes no yes
Maximum potential difference • between S- and M <sub>ANA</sub> (CMV)	3 V DC
Isolation test voltage	500 V DC
Current consumption • from the backplane bus • From supply voltage L+	max. 100 mA max. 340 mA
Power loss of the module	typ. 6.0 W
<b>Generation of analog values</b>	
Resolution, including sign • ± 10 V; ± 20 mA; 4 mA to 20 mA; 1 V to 5 V • 0 V to 10 V; 0 mA to 20 mA; • Conversion time (per channel)	11 bits + sign 12 Bit max. 0.8 ms
Transient recovery time • with resistive load • with capacitive load • with inductive load	0.2 ms 3.3 ms 0.5 ms (1 mH) 3.3 ms (10 mH)
<b>Interference frequency suppression, error limits</b>	
• Crosstalk between outputs	> 40 dB
Operational limit (across entire temperature range, relative to measurement range end value in the selected output range)	
• Voltage output • Current output	±0.5 % ± 0.6 %
Basic error limit (operational limit at 25 °C, relative to the measurement range end value in the selected output range)	
• Output voltage • Output current • Temperature error (relative to output range) • Linearity error (relative to output range) • Repeat accuracy (in transient state at 25 °C, relative to output range) • Output ripple; bandwidth 0 kHz to 50 kHz (relative to output range)	± 0.4 % ± 0.5 % ± 0.002 %/K + 0.05 % ±0.05 % ±0.05 %
<b>Status, interrupts, diagnostics</b>	
Interrupts • Diagnostic interrupt	programmable
Diagnostic functions • Group error display • Reading diagnostics information	programmable red LED (SF) supported
<b>Actuator selection data</b>	
Output ranges (rated values)	

Technical specifications	
• Voltage	± 10 V 0 V to 10 V 1 V to 5 V
• Current	± 20 mA 0 mA to 20 mA 4 mA to 20 mA
Load impedance (in the rated output range)	
• For voltage outputs – Capacitive load	Min. 1 kΩ Max. 1 μF
• For current outputs – at $CMV < 1$ V – with inductive load	max. 500 Ω max. 600 Ω max. 10 mH
Voltage output	
• Short-circuit protection	yes
• Short-circuit current	max. 25 mA
Current output	
• no-load voltage	max. 18 V
• Destruction limit against external voltages/currents	max. 18 V continuous; 75 V for a duration of max. 1 s
• Voltage at outputs to $M_{ANA}$	(duty factor 1:20)
• Current	max. 50 mA d.c.
Wiring of the actuators	using a 40-pin front connector supported
• for voltage output 4-wire connection	
• for current output 2-wire connection	supported

## Configuration in RUN

Special considerations must be given if you use the Configuration in RUN function.

SF LED is lit:

Status before re-configuration diagnostics on, SF LEDs lit among others (on CPU, IM or module), although diagnostics are no longer pending and the module is operating correctly.

Solution:

- Only change the configuration when no diagnostics are pending for the module or
- Pulling and plugging the module.

### 6.12.1 SM 332; AO 8 x 12 Bit - Output ranges

#### Introduction

You can configure the outputs for operation as voltage or current outputs, or disable them. You program the outputs at the "output type" parameter in *STEP 7*.

Output type "Voltage" and output range " $\pm 10\text{ V}$ " are set by default at the module. You can always use this combination of output type and range without having to program the SM 332; AO 8 x 12 Bit in STEP 7.

Table 6-32 Output ranges

Selected type of output	Output range
Voltage	1 V to 5 V 0 V to 10 V $\pm 10\text{ V}$
Current	0 mA to 20 mA 4 mA to 20 mA $\pm 20\text{ mA}$

See also

[Representation of analog values for analog output channels \(Page 233\)](#)

### 6.12.2 Programmable parameters

#### Introduction

For general information on programming analog modules, refer to the chapter Programming analog modules [\(Page 244\)](#).

The table below provides an overview of configurable parameters, including defaults:

Table 6-33 Overview of the parameters of SM 332; AO 8 x 12 Bit

Parameter	Range of values		Default	Parameter type	Scope
Enable • Diagnostic interrupt	yes/no		no	dynamic	Module
Diagnostics • Group diagnostics	Yes/no		No	static	Channel
Output • Output type  • Output range	disabled Voltage Current See chapter output ranges <a href="#">(Page 371)</a>		V $\pm 10\text{ V}$	dynamic	Channel
Reaction to CPU STOP	ASS HLV	Outputs zero current/voltage Hold last value	ASS	dynamic	Channel

#### Assigning parameters to channels

The parameters can be set separately at each output channel of SM 332; AO 8 x 12 Bit. You can assign separate parameters to each output channel.



---

### 6.13 Analog output module SM 332; AO 4 x 16 bit; isochrone; (6ES7332-7ND02-0AB0)

Assign the parameters you set at the SFCs in the user program to the channel groups. Each output channel of SM 332; AO 8 x 12 Bit is thus assigned to a channel group, i.e. output channel 0 > channel group 0, for example.

---

#### NOTE

The output may carry invalid interim values if you modify output ranges while SM 332; AO 8 x 12 bit is in RUN.

---

#### See also

[Diagnostic messages of analog output modules \(Page 246\)](#)

### 6.12.3 Additional information on SM 332; AO 8 x 12 Bit

#### Unused channels

To take unused output channels of SM 332; AO 8 x 12 Bit off power, set the "disabled" argument at the "output type" parameter. Disabled channels do not have to be wired.

#### Line continuity check

SM 332; AO 8 x 12 Bit only performs a line continuity check at the current outputs. In output ranges 0 mA to 20 mA and  $\pm 20$  mA, a "reliable" wire-break check is not possible for output values of  $\pm 200$   $\mu$ A.

#### Short-circuit test

SM 332; AO 8 x 12 Bit only performs a short-circuit test at the voltage outputs.

## 6.13 Analog output module SM 332; AO 4 x 16 bit; isochrone; (6ES7332-7ND02-0AB0)

#### Order number

6ES7332-7ND02-0AB0

#### Order number: "SIPLUS S7-300 module"

6AG1332-7ND02-4AB0

#### Properties

- 4 outputs in 4 channel groups
- The output channels can be programmed as
  - Voltage output
  - Current output
- Resolution 16 bits
- Supports isochronous mode
- Supports parameter reassignment in RUN

- Programmable diagnostics and diagnostic interrupt
- Electrical isolation between:
  - backplane bus interface and analog output channel
  - analog output channels
  - analog output and L+, M
  - Backplane bus circuit and L+, M
- Supports parameter reassignment in RUN

## Diagnostics

For information on diagnostic messages at the "group diagnostics" parameter, refer to chapter Diagnostic messages of analog output modules [\(Page 246\)](#).

## Terminal assignment

The diagrams below show various wiring options.

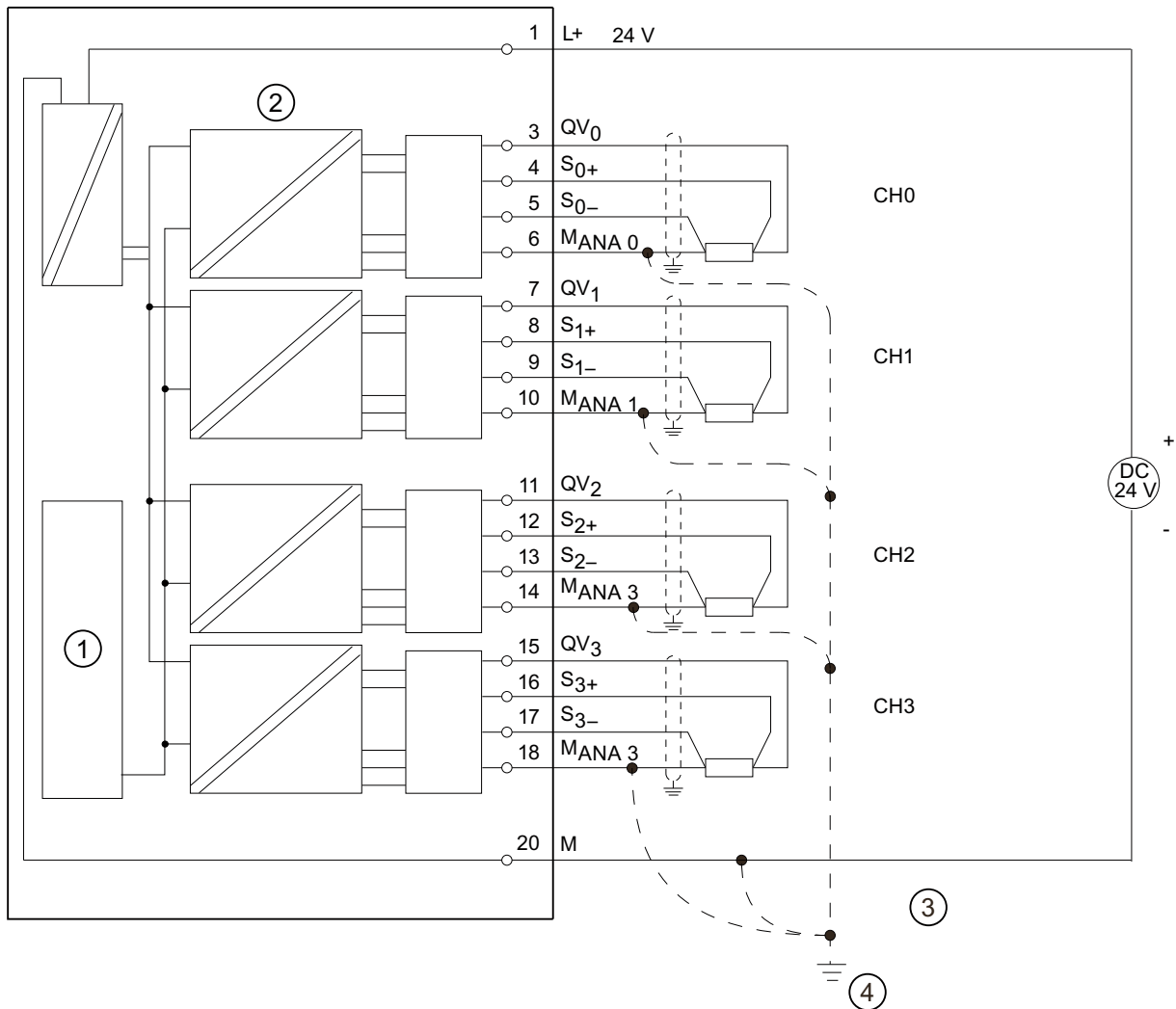
---

### NOTE

When you switch the rated load voltage (L+) off and on, the output may carry invalid interim values for the duration of ca. 10 ms.

---

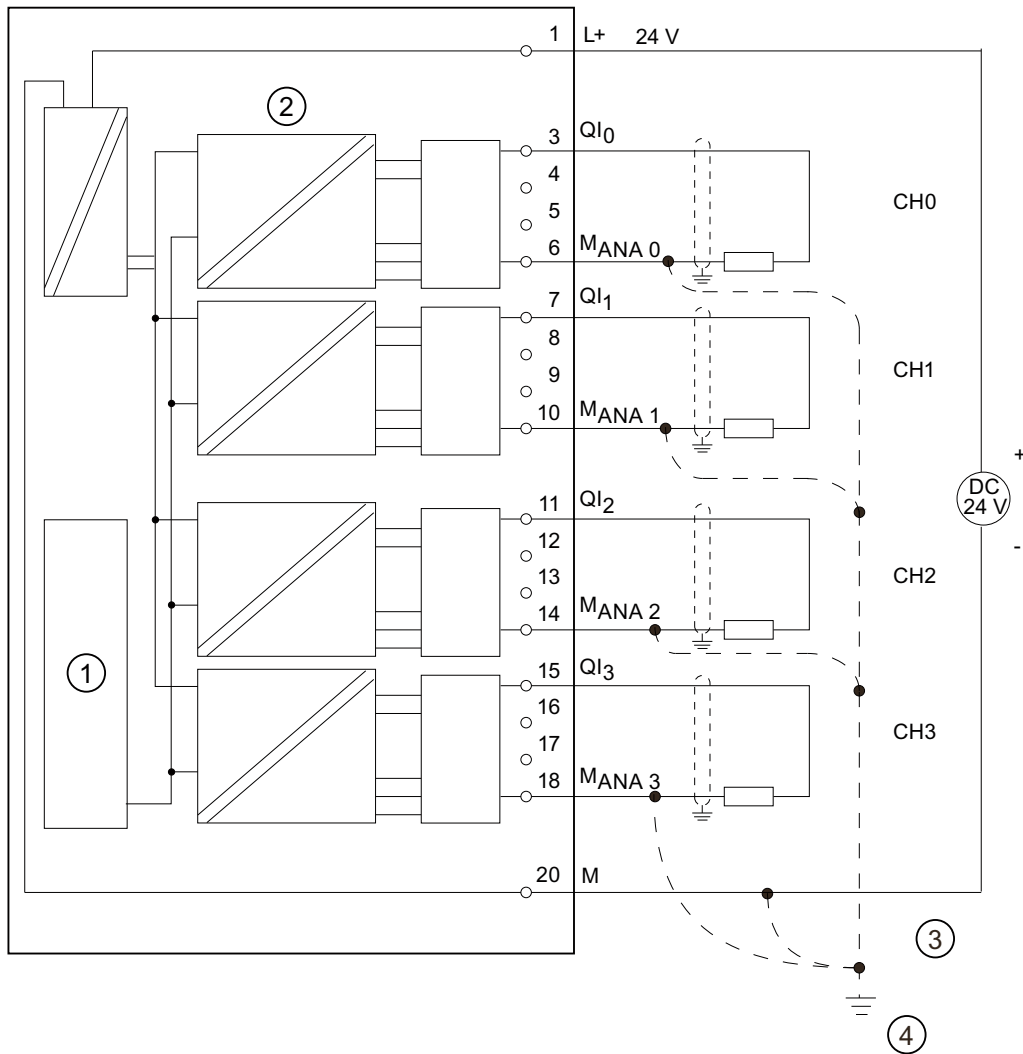
**Wiring: 4-wire connection**



- ① Backplane bus interface
- ② Electrical isolation
- ③ Equipotential bonding
- ④ Functional ground

Figure 6-43 Wiring and block diagram

**Wiring: Current output**



- ① Backplane bus interface
- ② Electrical isolation
- ③ Equipotential bonding
- ④ Functional earthing

Figure 6-44 Wiring and block diagram

**Technical specifications**

Technical specifications	
<b>Dimensions and weight</b>	
Dimensions W x H x D (mm)	40 x 125 x 117
Weight	ca. 220 g
<b>Module-specific data</b>	
Supports parameter reassignment in RUN	yes
• Reaction of non-programmed outputs	return the output value which was valid before the parameterization

## 6.13 Analog output module SM 332; AO 4 x 16 bit; isochrone; (6ES7332-7ND02-0AB0)

<b>Technical specifications</b>	
Supports isochronous mode	yes
Number of outputs	4
Cable length <ul style="list-style-type: none"> <li>shielded</li> </ul>	max. 200 m
<b>Voltages, currents and potentials</b>	
Rated load voltage L+ <ul style="list-style-type: none"> <li>Reverse polarity protection</li> </ul>	24 V DC yes
Electrical isolation <ul style="list-style-type: none"> <li>between channels and the backplane bus</li> <li>between channels and electronics power supply</li> <li>between channels</li> </ul>	yes yes yes
Maximum potential difference <ul style="list-style-type: none"> <li>between outputs (ECM)</li> <li>between M<sub>ANA</sub> and M<sub>internal</sub> (V<sub>ISO</sub>)</li> </ul>	200 V DC / 120 V AC 200 V DC / 120 V AC
Isolation test voltage	1500 V DC
Current consumption <ul style="list-style-type: none"> <li>from the backplane bus</li> <li>from load voltage L+ (no-load)</li> </ul>	max. 120 mA max. 290 mA
Power loss of the module	typ. 3 W
<b>Generation of analog values</b>	
Resolution (including sign) <ul style="list-style-type: none"> <li>± 10 V</li> <li>0 V to 10 V</li> <li>1 V to 5 V</li> <li>± 20 mA</li> <li>0 mA to 20 mA</li> <li>4 mA to 20 mA</li> </ul>	16 bits 15 bits 14 bits 16 bits 15 bits 15 bits
Conversion time (per channel) <ul style="list-style-type: none"> <li>in standard mode</li> <li>in isochronous mode</li> </ul>	<200 µs 640 µs
Basic execution time of the module (independent of the number of enabled channels) <ul style="list-style-type: none"> <li>in standard mode</li> <li>in isochronous mode</li> </ul>	<800 µs 750 µs
Transient recovery time <ul style="list-style-type: none"> <li>with resistive load</li> <li>with capacitive load</li> <li>with inductive load</li> </ul>	0.2 ms 3.3 ms 0.5 ms (1 mH) / 3.3 ms (10 mH)
<b>Interference suppression, error limits</b>	
Crosstalk between outputs	> 100 dB
Operational limit (across entire temperature range, relative to measurement range end value in the selected output range)	
<ul style="list-style-type: none"> <li>Voltage output</li> <li>Current output</li> </ul>	±0.12% ±0.18%
Basic error limit (operational limit at 25 °C, relative to the measurement range end value in the selected output range)	

Technical specifications	
<ul style="list-style-type: none"> <li>Voltage output ± 10 V 0 V to 10 V 1 V to 5 V</li> </ul>	<ul style="list-style-type: none"> <li>±0.02%</li> <li>±0.02%</li> <li>±0.04%</li> </ul>
<ul style="list-style-type: none"> <li>Current output ± 20 mA 0 mA to 20 mA 4 mA to 20 mA</li> </ul>	<ul style="list-style-type: none"> <li>±0.02%</li> <li>±0.02%</li> <li>±0.04%</li> </ul>
Temperature error (relative to output range) <ul style="list-style-type: none"> <li>Voltage output</li> <li>Current output</li> </ul>	<ul style="list-style-type: none"> <li>± 0.0025%/K</li> <li>± 0.004%/K</li> </ul>
Linearity error (relative to output range)	±0.004%
Repeat accuracy (in transient state at 25°, relative to output range)	±0.002 %
Output ripple; range 0 Hz to 50 kHz (relative to output range)	±0.05 %
Status, interrupts, diagnostics	
Interrupts <ul style="list-style-type: none"> <li>Diagnostic interrupt</li> </ul>	programmable
Diagnostic functions <ul style="list-style-type: none"> <li>Group error display</li> <li>Reading diagnostic information</li> </ul>	programmable red LED (SF) supported
Set substitute values	yes, programmable
Actuator selection data	
Output ranges (rated values)	
<ul style="list-style-type: none"> <li>Voltage</li> </ul>	<ul style="list-style-type: none"> <li>± 10 V</li> <li>0 V to 10 V</li> <li>1 V to 5 V</li> </ul>
<ul style="list-style-type: none"> <li>Current</li> </ul>	<ul style="list-style-type: none"> <li>± 20 mA</li> <li>0 mA to 20 mA</li> <li>4 mA to 20 mA</li> </ul>
Load impedance (in the rated range of the output)	
<ul style="list-style-type: none"> <li>For voltage outputs                             <ul style="list-style-type: none"> <li>– Capacitive load</li> </ul> </li> </ul>	Min. 1 kΩ Max. 1 μF
<ul style="list-style-type: none"> <li>For current outputs                             <ul style="list-style-type: none"> <li>– inductive load</li> </ul> </li> </ul>	max. 500 Ω max. 1 mH
Voltage output <ul style="list-style-type: none"> <li>Short-circuit protection</li> <li>Short-circuit current</li> </ul>	yes max. 40 mA
Current output <ul style="list-style-type: none"> <li>noload voltage</li> </ul>	max. 18 V
Destruction limit against external voltages/currents <ul style="list-style-type: none"> <li>Voltage at outputs to <math>M_{ANA}</math></li> <li>Current</li> </ul>	max. 15 V, continuous 75 V for the duration of max. 1 s (duty factor 1:20) 20) max. 50 mA d.c.

Technical specifications	
Wiring of the actuators	using a 20-pin front connector supported
<ul style="list-style-type: none"> <li>• for voltage output               <ul style="list-style-type: none"> <li>– 4-wire connection (measuring lead)</li> </ul> </li> <li>• for current output               <ul style="list-style-type: none"> <li>– 2-wire connection</li> </ul> </li> </ul>	supported

## Configuration in RUN

Special considerations must be given if you use the Configuration in RUN function.

SF LED is lit:

Status before re-configuration diagnostics on, SF LEDs lit among others (on CPU, IM or module), although diagnostics are no longer pending and the module is operating correctly.

Solution:

- Only change the configuration when no diagnostics are pending for the module or
- Pulling and plugging the module.

### 6.13.1 SM 332; AO 4 x 16 Bit - Output ranges

#### Introduction

You can configure the outputs for operation as voltage or current outputs, or disable these. You program the outputs at the "output type" parameter in *STEP 7*.

The output type "Voltage" and output range " $\pm 10$  V" are set by default at the module. You can always use this combination of output type and range without having to program the SM 332; AO 4 x 16 Bit in *STEP 7*.

#### Output ranges

You program the output ranges for voltage and current outputs in *STEP 7*.

Table 6-34 Output ranges SM 332; AO 4 x 16 Bit

Selected type of output	Output range
Voltage	1 V to 5 V 0 V to 10 V $\pm 10$ V
Current	0 mA to 20 mA 4 mA to 20 mA $\pm 20$ mA

### 6.13.2 Programmable parameters

#### Introduction

For general information on programming analog modules, refer to the chapter Programming analog modules ([Page 244](#)).

The table below provides overview of programmable parameters and of their defaults.

Table 6-35 Overview of the parameters of SM 332; AO 4 x 16 Bit

Parameters	Range of values		Default	Parameter type	Scope
Enable • Diagnostic interrupt	yes/no		no	dynamic	Module
Diagnostics • Group diagnostics	yes/no		no	static	Channel
Output • Output type • Output range	disabled Voltage Current See chapter Output ranges for SM 332; AO 4 x 16 Bit <a href="#">(Page 379)</a>		V ± 10 V	dynamic	Channel
Reaction to CPU STOP	ASS  HLV	Outputs zero current/voltage Hold last value	ASS	dynamic	Channel

### Assigning parameters to channels

The parameters can be set separately at each output channel of SM 332; AO 4 x 16 Bit. You can assign separate parameters to each output channel.

Assign the parameters you set at the SFCs in the user program to the channel groups. Each output channel of SM 332; AO 4 x 16 Bit is thus assigned to a channel group, i.e. output channel 0 > channel group 0, for example.

---

#### NOTE

The output may carry invalid interim values if you modify output ranges while SM 332; AO 4 x 16 bit is in RUN.

---

### See also

[Diagnostic messages of analog output modules \(Page 246\)](#)

## 6.13.3 Isochronous mode

### Properties

Reproducible reaction times (i.e. of the same length) are achieved in a SIMATIC system by means of a constant DP bus cycle, and synchronization of the single cyclic processes outlined below:

- Independent user program cycle. The length of the cycle time may vary due to non-cyclic program branching.
- Independent and variable DP cycle on the PROFIBUS subnet
- Cyclic operation of the backplane bus of the DP slave.
- Cyclic signal preparation and conversion at the electronic modules of the DP slave.

The constant DP cycle runs in synchronism and at the same length. The CPU run levels (OB61 to OB64) and isochronous IO are synchronized with this cycle. I/O data are therefore transferred at defined and constant intervals (isochronous mode.) Maximum flutter: ±50 µs.



## Requirements

- The DP master and slave must support isochronous mode. You require STEP 7 V5.2 or higher.

## Mode of operation: Isochronous mode

Conditions of isochronous mode:

Processing and activation time $T_{WA}$ between reading the output value to the transfer buffer and loading it into the D/A converter for output	750 $\mu$ s
$T_{DPmin}$	1100 $\mu$ s
Diagnostic interrupt	max. 4 x $T_{DP}$

## Calculation of filter and processing times

The same time conditions always apply, regardless of the number of configured channels.

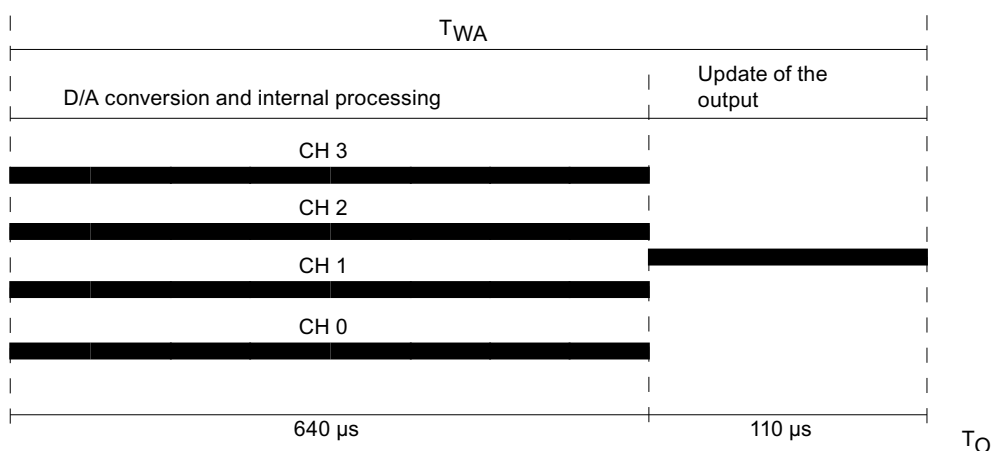


Figure 6-45 Calculation of the processing time and refresh time of the output

## Definition of isochronous mode

During the time  $T_O - T_{WA}$ , the module reads the output data and saves the data internally. The internal processing time for each channel is used to write the results into the individual D/A converters.

## Further information

You can find additional information on isochronous mode in the online help for STEP 7, and in the operating instructions Distributed I/O System ET 200M.  
<http://support.automation.siemens.com/WW/view/en/1142798>

## 6.13.4 Additional information on SM 332; AO 4 x 16 Bit

### Unused channels

To take unused output channels of SM 332; AO 4 x 16 Bit off power, set the "disabled" argument at the "output type" parameter, and leave the terminal open.

### Substitute values

You can configure the SM 332; AO 4 x 16 Bit for CPU STOP mode as follows: Outputs off power, hold last value or set substitute values. The set substitute values must lie within the output range.

## 6.14 Analog output module SM 332; AO 4 x 12 Bit; (6ES7332-5HD01-0AB0)

### Order number

6ES7332-5HD01-0AB0

### Order number: "SIPLUS S7-300 module"

6AG1332-5HD01-7AB0

### Properties

- 4 outputs in one group
- The output can be selected by individual channel
  - Voltage output
  - Current output
- Resolution 12 bits
- Programmable diagnostics and diagnostic interrupt
- Electrically isolated to backplane bus interface and load voltage
- Supports parameter reassignment in RUN

### Diagnostics

For information on diagnostic messages at the "group diagnostics" parameter, refer to chapter Diagnostic messages of analog output modules [\(Page 246\)](#).

### Terminal assignment

The diagrams below show various wiring options.

---

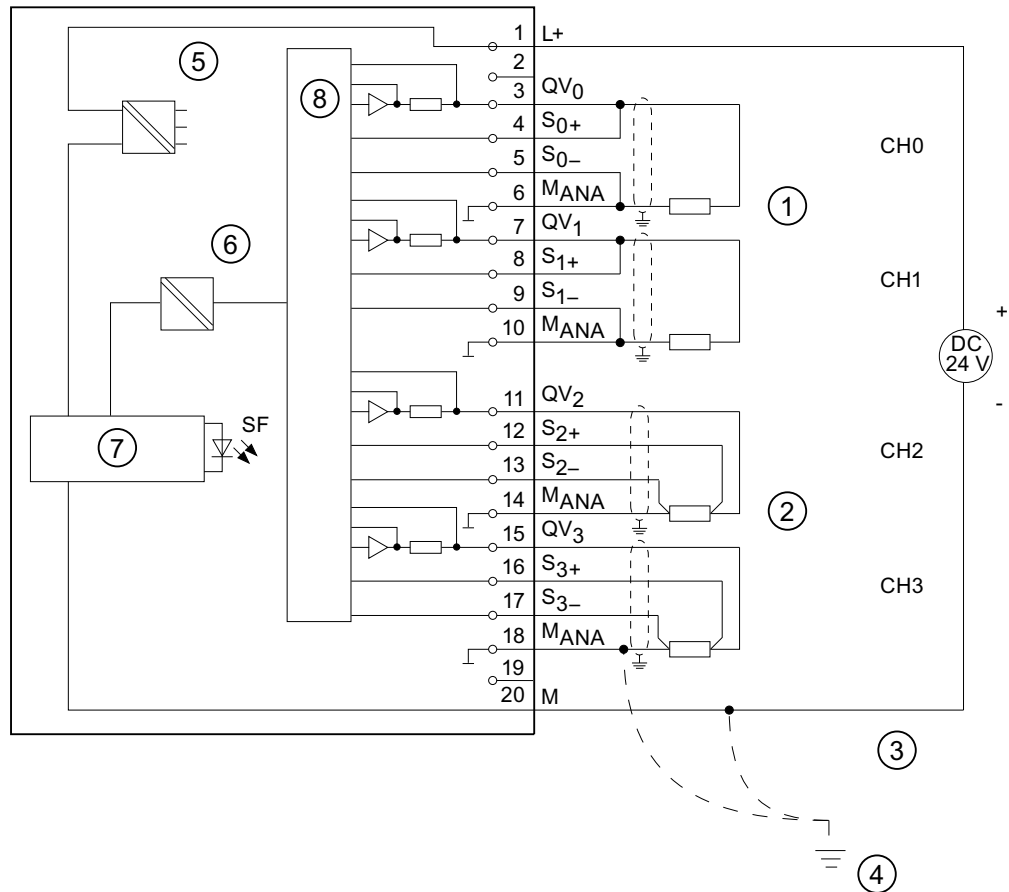
#### NOTE

When you switch the rated load voltage (L+) off and on, the outputs can return incorrect voltage/current values for the duration of about 500 ms.

---

### Wiring: 2 and 4-wire connection for voltage output

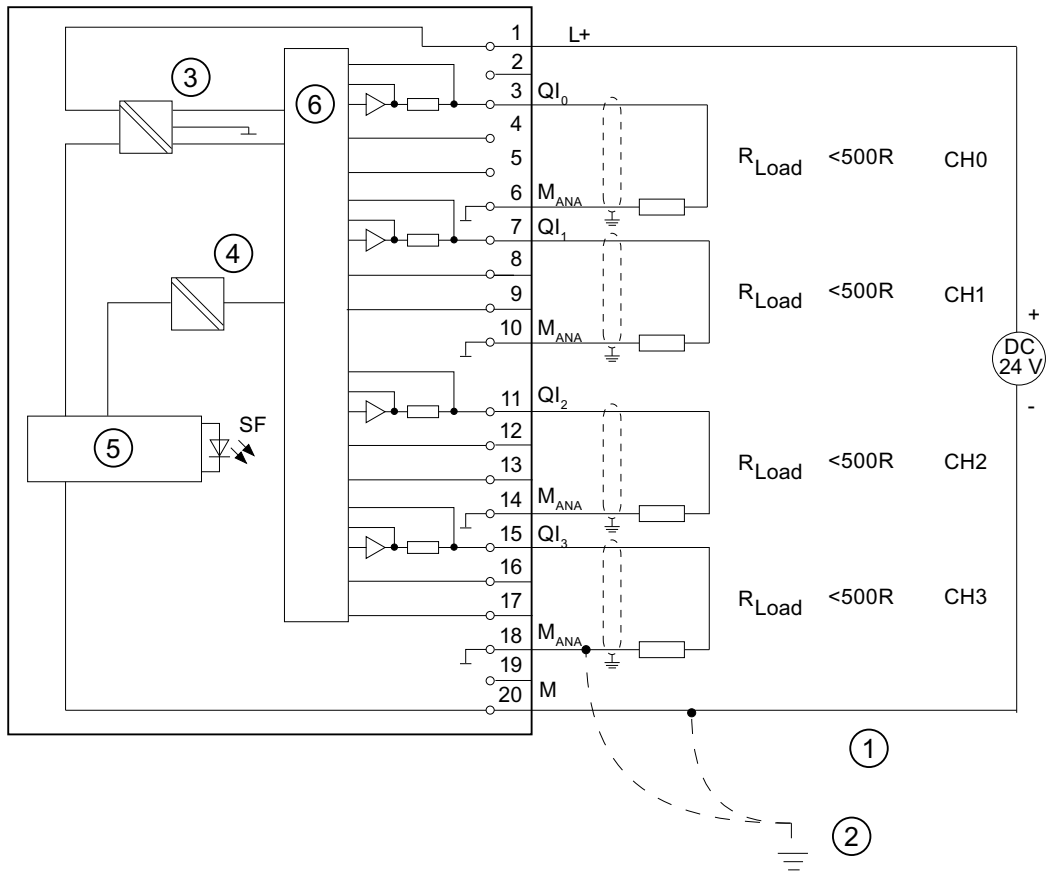
The following Fig. represents the 2-wire connection with no compensation for line resistors and the 4-wire connection with compensation for line resistors.



- ① 2-wire connection, no compensation for line resistors
- ② 4-wire connection, with compensation for line resistors
- ③ Equipotential bonding
- ④ Functional earthing
- ⑤ Internal supply
- ⑥ Electrical isolation
- ⑦ Backplane bus interface
- ⑧ Analog-to-Digital Converter (ADC)

Figure 6-46 Wiring and block diagram

**Wiring: Current output**



- ① Equipotential bonding
- ② Functional earthing
- ③ Internal supply
- ④ Electrical isolation
- ⑤ Backplane bus interface
- ⑥ Analog-to-Digital Converter (ADC)

Figure 6-47 Wiring and block diagram

**Technical specifications**

Technical specifications	
<b>Dimensions and weight</b>	
Dimensions W x H x D (mm)	40 x 125 x 117
Weight	ca. 220 g
<b>Module-specific data</b>	
Supports parameter reassignment in RUN	yes
Reaction of non-programmed outputs	Return the output value which was valid before the parameterization
Supports isochronous mode	no
Number of outputs	4

## 6.14 Analog output module SM 332; AO 4 x 12 Bit; (6ES7332-5HD01-0AB0)

<b>Technical specifications</b>	
Cable length • shielded	max. 200 m
<b>Voltages, currents, electrical potentials</b>	
Rated load voltage L+ • Reverse polarity protection	24 V DC Yes
Electrical isolation • between channels and the backplane bus • between channels and electronics power supply • between channels • between channels and load voltage L+	Yes Yes no Yes
Maximum potential difference • between S- and M <sub>ANA</sub> (CMV)	3 V DC
Isolation test voltage	500 V DC
Current consumption • from the backplane bus • from load voltage L+ (no-load)	max. 60 mA max. 240 mA
Power loss of the module	typ. 3 W
<b>Generation of analog values</b>	
Resolution (including overshoot range) • $\pm 10$ V; $\pm 20$ mA; • 4 mA to 20 mA; 1 V to 5 V • 0 V to 10 V; 0 mA to 20 mA	11 bits + sign 12 bits
Conversion time (per channel)	max. 0.8 ms
Transient recovery time • with resistive load • with capacitive load • with inductive load	0.2 ms 3.3 ms 0.5 ms (1 mH) 3.3 ms (10 mH)
<b>Interference frequency suppression, error limits</b>	
Crosstalk between outputs	> 40 dB
Operational limit (across entire temperature range, relative to measurement range end value in the selected output range)	
• Voltage output • Current output	$\pm 0.5$ % $\pm 0.6$ %
Basic error limit (operational limit at 25 °C, relative to the measurement range end value in the selected output range)	
• Voltage output • Current output	$\pm 0.4$ % $\pm 0.5$ %
Temperature error (relative to output range)	$\pm 0.002$ %/K
Linearity error (relative to output range)	$\pm 0.05$ %
Repeat accuracy (in settled state at 25 °C, relative to output range)	$\pm 0.05$ %
Output ripple; range 0 Hz to 50 kHz (relative to output range)	$\pm 0.05$ %
<b>Status, interrupts, diagnostics</b>	
Interrupts • Diagnostic interrupt	Programmable

Technical specifications	
Diagnostic functions <ul style="list-style-type: none"> <li>Group fault display</li> <li>Reading diagnostic information</li> </ul>	programmable Red LED (SF) Supported
Setting substitute values	Yes, programmable
Actuator selection data	
Output ranges (rated values)	
<ul style="list-style-type: none"> <li>Voltage</li> </ul>	± 10 V 0 V to 10 V 1 V to 5 V
<ul style="list-style-type: none"> <li>Current</li> </ul>	± 20 mA 0 mA to 20 mA 4 mA to 20 mA
Load impedance (in the rated range of the output)	
<ul style="list-style-type: none"> <li>For voltage outputs                             <ul style="list-style-type: none"> <li>Capacitive load</li> </ul> </li> </ul>	Min. 1 kΩ Max. 1 μF
<ul style="list-style-type: none"> <li>For current outputs                             <ul style="list-style-type: none"> <li>at CMV &lt; 1 V</li> <li>inductive load</li> </ul> </li> </ul>	max. 500 Ω max. 600 Ω max. 10 mH
Voltage output <ul style="list-style-type: none"> <li>Short-circuit protection</li> <li>Short-circuit current</li> </ul>	Yes max. 25 mA
Current output <ul style="list-style-type: none"> <li>noload voltage</li> </ul>	max. 18 V
Destruction limit against external voltages/currents <ul style="list-style-type: none"> <li>Voltage at outputs to M<sub>ANA</sub></li> <li>Current</li> </ul>	max. 18 V continuous; 75 V for the duration of max. 1 s (duty factor 1:20) max. 50 mA d.c.
Wiring of the actuators <ul style="list-style-type: none"> <li>for voltage output                             <ul style="list-style-type: none"> <li>4-wire connection (measuring lead)</li> </ul> </li> <li>for current output                             <ul style="list-style-type: none"> <li>2-wire connection</li> </ul> </li> </ul>	using a 20-pin front connector  supported  supported

### Parameter reassignment in RUN

If you reassign parameters in RUN, the following special characteristic applies.

SF LED is lit:

If a diagnostics was pending prior to reconfiguration, the SF LEDs (on CPU, IM or module) may be lit even though diagnostics is no longer pending and the module is operating correctly.

Solution:

- Only assign new parameters if no diagnostics is pending, or
- unplug module and plug it in again.

## 6.14.1 Output ranges of SM 332; AO 4 x 12 Bit

### Introduction

You can configure the outputs for operation as voltage or current outputs, or disable them. You program the outputs at the "output type" parameter in *STEP 7*.

The output type "Voltage" and output range " $\pm 10$  V" are set by default at the module. You can always use this combination of output type and range without having to program the SM 332; AO 4 x 12 Bit in *STEP 7*.

### Output ranges

Program the voltage and current output ranges in *STEP 7*.

Table 6-36 Output ranges of SM 332; AO 4 x 12 Bit

Selected type of output	Output range
Voltage	1 V to 5 V 0 V to 10 V $\pm 10$ V
Current	0 mA to 20 mA 4 mA to 20 mA $\pm 20$ mA

## 6.14.2 Programmable parameters

### Introduction

For general information on programming analog modules, refer to the chapter Programming analog modules ([Page 244](#)).

The table below provides overview of programmable parameters and of their defaults.

Table 6-37 Overview of the parameters of SM 332; AO 4 x 12 Bit

Parameters	Range of values		Default	Parameter type	Scope
Enable • Diagnostic interrupt	yes/no		no	dynamic	Module
Diagnostics • Group diagnostics	yes/no		no	static	Channel
Output • Output type  • Output range	disabled Voltage Current See table of <i>Output ranges for SM 332; AO 4 x 12 Bit</i>		V $\pm 10$ V	dynamic	Channel
Reaction to CPU STOP	ASS HLV SSV	Outputs zero current/voltage Hold last value Set substitute value	ASS	dynamic	Channel

### Assigning parameters to channels

The parameters can be set separately at each output channel of SM 332; AO 4 x 12 Bit. You can assign separate parameters to each output channel.

### 6.15 Analog output module SM 332; AO 2 x 12 Bit; (6ES7332-5HB01-0AB0)

Assign the parameters you set at the SFCs in the user program to the channel groups. Each output channel of SM 332; AO 4 x 12 Bit is thus assigned to a channel group, i.e. output channel 0 > channel group 0, for example.

---

#### NOTE

The output may carry incorrect interim values if you modify output ranges while SM 332; AO 4 x 12 Bit is in RUN.

---

#### See also

[Diagnostic messages of analog output modules \(Page 246\)](#)

### 6.14.3 Additional information on SM 332; AO 4 x 12 Bit

#### Unused channels

To take unused output channels of SM 332; AO 4 x 12 Bit off power, set the "disabled" argument at the "output type" parameter. Disabled channels do not have to be wired.

#### Line continuity check

SM 332; AO 4 x 12 Bit only performs a line continuity check at the current outputs. In output ranges 0 mA to 20mA and  $\pm 20$  mA, a "reliable" wire-break check is not possible for output values of -20s to  $\pm 200$   $\mu$ A.

#### Short-circuit test

SM 332; AO 4 x 12 Bit only performs a short-circuit test at the voltage outputs.

#### Substitute values

You can configure the SM 332; AO 4 x 12 Bit for CPU STOP mode as follows: Outputs off power, hold last value or set substitute values. The set substitute values must lie within the output range.

### 6.15 Analog output module SM 332; AO 2 x 12 Bit; (6ES7332-5HB01-0AB0)

#### Order number: "Standard module"

6ES7332-5HB01-0AB0

#### Order number: "SIPLUS S7-300 module"

6AG1332-5HB01-2AB0

#### Properties

- 2 outputs in one group
- The outputs can be set separately as
  - voltage output
  - current output



- Resolution 12 bits
- Programmable diagnostics and diagnostic interrupt
- Electrically isolated to backplane bus interface and load voltage
- Supports parameter reassignment in RUN

## Diagnostics

For information on diagnostic messages at the "group diagnostics" parameter, refer to chapter Diagnostic messages of analog output modules ([Page 246](#)).

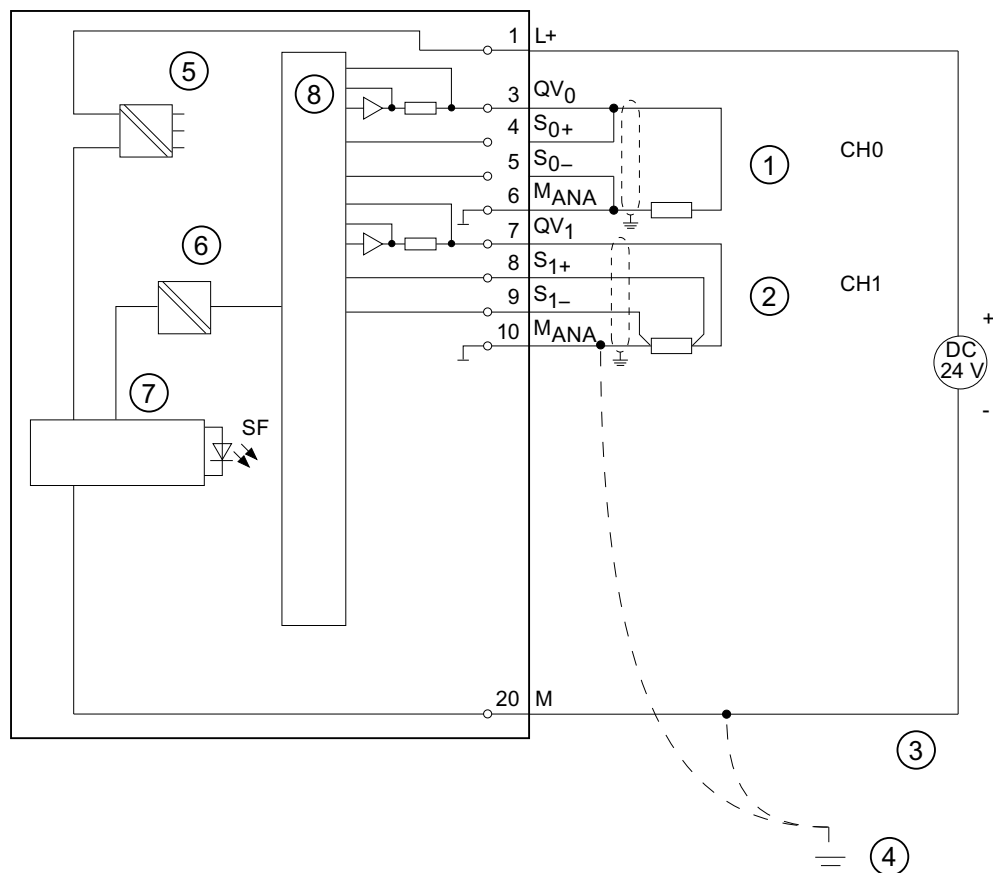
## Terminal assignment

The diagrams below show various wiring options.

### NOTE

When you switch the rated load voltage (L+) off and on, the outputs can return incorrect voltage/current values for the duration of about 500 ms.

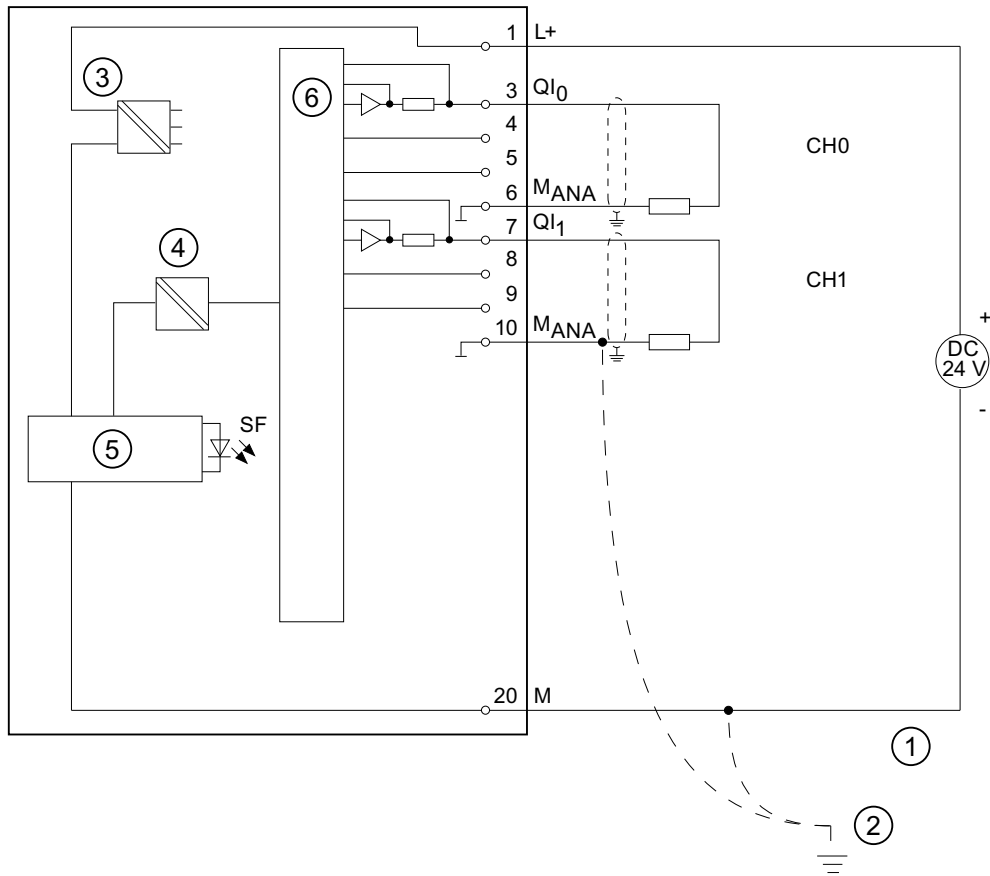
## Wiring: 2 and 4-wire connection for voltage output



- ① 2-wire connection: no compensation for line impedance
- ② 4-wire connection: with compensation for line impedance
- ③ Equipotential bonding
- ④ Functional earthing
- ⑤ Internal supply
- ⑥ Electrical isolation
- ⑦ Backplane bus interface
- ⑧ Analog-to-Digital Converter (ADC)

Figure 6-48 Wiring and block diagram

**Wiring for current output**



- ① Equipotential bonding
- ② Functional earthing
- ③ Internal supply
- ④ Electrical isolation
- ⑤ Backplane bus interface
- ⑥ Digital analog converter (DAC)

Figure 6-49 Wiring and block diagram

## Technical specifications

Technical specifications	
<b>Dimensions and weight</b>	
Dimensions W x H x D (mm)	40 x 125 x 117
Weight	Approximately 220 g
<b>Module-specific data</b>	
Supports parameter reassignment in RUN	Yes
Reaction of non-programmed outputs	Return the output value which was valid before the parameterization
Supports isochronous mode	no
Number of outputs	2
Cable length • shielded	max. 200 m
<b>Voltages, currents, electrical potentials</b>	
Rated load voltage L+ • Reverse polarity protection	24 V DC Yes
Electrical isolation • between channels and the backplane bus • between channels and electronics power supply • between channels • between channels and load voltage L+	Yes Yes no Yes
Maximum potential difference • between S- and M <sub>ANA</sub> (CMV)	3 V DC
Isolation test voltage	500 V DC
Current consumption • from the backplane bus • from load voltage L+ (no-load)	max. 60 mA max. 135 mA
Power loss of the module	typ. 3 W
<b>Generation of analog values</b>	
Resolution (including overshoot range) • ± 10 V; ± 20 mA; • 4 mA to 20 mA; 1 V to 5 V • 0 V to 10 V; 0 mA to 20 mA	11 bits + sign 12 bits
Conversion time (per channel)	max. 0.8 ms
Transient recovery time • with resistive load • with capacitive load • with inductive load	0.2 ms 3.3 ms 0.5 ms (1 mH) 3.3 ms (10 mH)
<b>Interference frequency suppression, error limits</b>	
Crosstalk between outputs	> 40 dB
Operational limit (across entire temperature range, relative to measurement range end value in the selected output range)	
• Voltage output • Current output	± 0.5 % ± 0.6 %
Basic error limit (operational limit at 25 °C, relative to the measurement range end value in the selected output range)	

<b>Technical specifications</b>	
<ul style="list-style-type: none"> <li>Voltage output</li> <li>Current output</li> </ul>	± 0.4 % ± 0.5 %
Temperature error (relative to output range)	± 0.002 %/K
Linearity error (relative to output range)	± 0.05 %
Repeat accuracy (in settled state at 25 °C, relative to output range)	± 0.05 %
Output ripple; range 0 Hz to 50 kHz (relative to output range)	± 0.05 %
<b>Status, interrupts, diagnostics</b>	
Interrupts <ul style="list-style-type: none"> <li>Diagnostic interrupt</li> </ul>	programmable
Diagnostic functions <ul style="list-style-type: none"> <li>Group error display</li> <li>Reading diagnostic information</li> </ul>	programmable red LED (SF) supported
Setting substitute values	Yes, programmable
<b>Actuator selection data</b>	
Output ranges (rated values)	
<ul style="list-style-type: none"> <li>Voltage</li> </ul>	± 10 V 0 V to 10 V 1 V to 5 V
<ul style="list-style-type: none"> <li>Current</li> </ul>	± 20 mA 0 mA to 20 mA 4 mA to 20 mA
Load impedance (in the rated range of the output)	
<ul style="list-style-type: none"> <li>For voltage outputs                             <ul style="list-style-type: none"> <li>capacitive load</li> </ul> </li> </ul>	min. 1 kΩ max. 1 μF
<ul style="list-style-type: none"> <li>For current outputs                             <ul style="list-style-type: none"> <li>at CMV &lt; 1 V</li> <li>inductive load</li> </ul> </li> </ul>	max. 500 Ω max. 600 Ω max. 10 mH
Voltage output <ul style="list-style-type: none"> <li>Short-circuit protection</li> <li>Short-circuit current</li> </ul>	Yes max. 25 mA
Current output <ul style="list-style-type: none"> <li>noload voltage</li> </ul>	max. 18 V
Destruction limit against external voltages/currents <ul style="list-style-type: none"> <li>Voltage at outputs to M<sub>ANA</sub></li> <li>Current</li> </ul>	max. 18 V continuous; 75 V for the duration of max. 1 s (duty factor 1:20) max. 50 mA DC
<ul style="list-style-type: none"> <li>Wiring of the actuators                             <ul style="list-style-type: none"> <li>for voltage output                                     <ul style="list-style-type: none"> <li>2-wire connection</li> <li>4-wire connection (measuring line)</li> </ul> </li> <li>for current output                                     <ul style="list-style-type: none"> <li>2-wire connection</li> </ul> </li> </ul> </li> </ul>	using a 20-pin front connector  supported supported  supported

### Reassigning parameters in RUN

If you reassign parameters in RUN, the following special characteristic applies.

SF LED is lit:

If a diagnostics was pending prior to reconfiguration, the SF LEDs (on CPU, IM or module) may be lit even though diagnostics is no longer pending and the module is operating correctly.

Solution:

- Only assign new parameters if no diagnostics is pending, or
- unplug module and plug it in again.

## 6.15.1 Output ranges of SM 332; AO 2 x 12 Bit

### Introduction

You can configure the outputs for operation as voltage or current outputs, or disable them. You program the outputs at the "output type" parameter in *STEP 7*.

Output type "Voltage" and output range " $\pm 10$  V" are set by default at the module. You can always use this combination of output type and range without having to program the SM 332; AO 2 x 12 Bit in *STEP 7*.

### Output ranges

Program the voltage and current output ranges in *STEP 7*.

Table 6-38 Output ranges of SM 332; AO 2 x 12 Bit

Selected type of output	Output range
Voltage	1 V to 5 V 0 V to 10 V $\pm 10$ V
Current	0 mA to 20 mA 4 mA to 20 mA $\pm 20$ mA

## 6.15.2 Programmable parameters

### Introduction

For general information on programming analog modules, refer to the chapter Programming analog modules ([Page 244](#)).

The table below provides an overview of configurable parameters, including defaults:

Table 6-39 Overview of the parameters of SM 332; AO 2 x 12 Bit

Parameter	Range of values		Default	Parameter type	Scope
Enable • Diagnostic interrupt	Yes/no		No	Dynamic	Module
Diagnostics • Group diagnostics	Yes/no		No	Static	Channel
Edition • Output type  • Output range	disabled Voltage Current See chapter Output ranges for SM 332; AO 2 x 12 Bit <a href="#">(Page 393)</a>		V ± 10 V	dynamic	Channel
Reaction to CPU STOP	ASS HLV SSV	Outputs zero current/voltage Hold last value Set substitute value	ASS	dynamic	Channel

### Assigning parameters to channels

The parameters can be set separately at each output channel of SM 332; AO 2 x 12 Bit. You can assign separate parameters to each output channel.

Assign the parameters you set at the SFCs in the user program to the channel groups. Each output channel of SM 332; AO 2 x 12 Bit is thus assigned to a channel group, i.e. output channel 0 > channel group 0, for example.

---

#### NOTE

The output may carry invalid interim values if you modify output ranges while SM 332; AO 2 x 12 bit is in RUN.

---

### See also

[Diagnostic messages of analog output modules \(Page 246\)](#)

## 6.15.3 Additional information on SM 332; AO 2 x 12 Bit

### Unused channels

To take unused output channels of SM 332; AO 2 x 12 Bit off power, set the "disabled" argument at the "output type" parameter. Disabled channels do not have to be wired.

### Line continuity check

SM 332; AO 2 x 12 Bit only performs a line continuity check at the current outputs. In output ranges 0 mA to 20mA and ±20 mA, a "reliable" wire-break check is not possible for output values of -20s to ±200 µA.

### Short-circuit test

SM 332; AO 2 x 12 Bit only performs a short-circuit test at the voltage outputs.

### Substitute values

You can configure the SM 332; AO 2 x 12 Bit for CPU STOP mode as follows: Outputs off power, hold last value or set substitute values. The set substitute values must lie within the output range.

## 6.16 Analog IO module SM 334; AI 4/AO 2 x 8/8 Bit; (6ES7334-0CE01-0AA0)

### Order number

6ES7334-0CE01-0AA0

### Properties

- 4 inputs in one group and 2 outputs in one group
- Resolution 8 bits
- Programmable measurement type at each channel group
  - Voltage
  - Current
- Not programmable, measurement and output type defined by hardwiring
- Connected to potential of the backplane bus interface
- Electrically isolated to load voltage

### Terminal assignment

The diagrams below show various wiring options.

---

#### NOTE

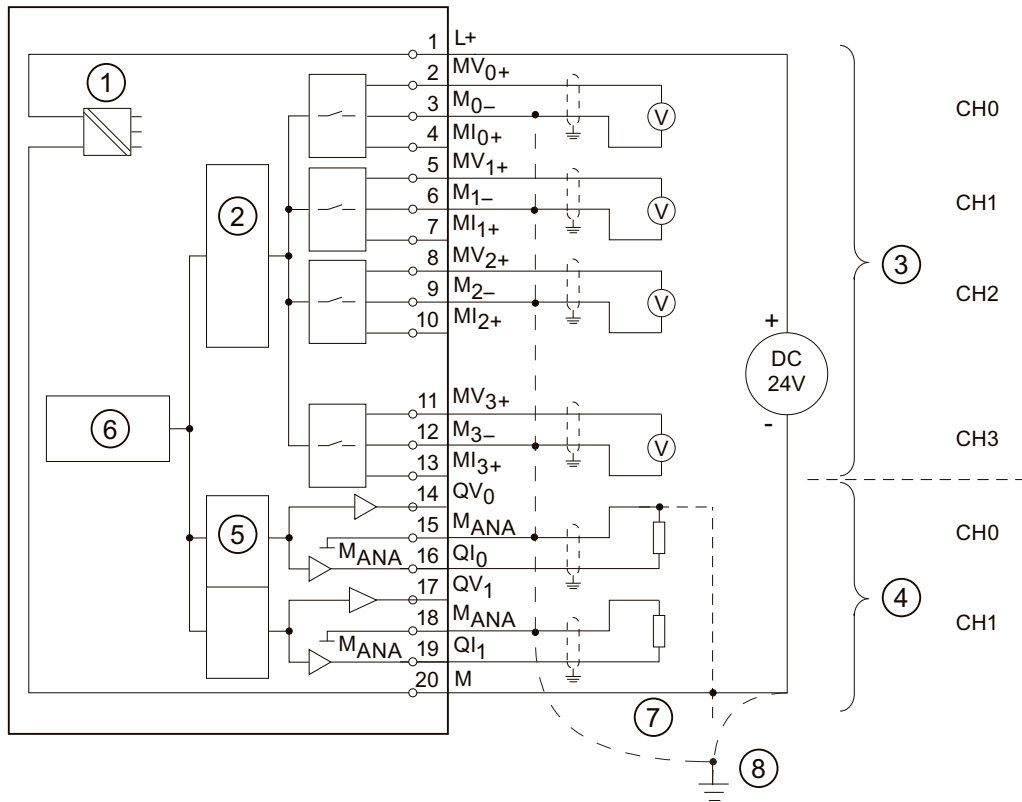
Note when wiring the SM 334:

- analog ground **M<sub>ANA</sub>** (terminal 15 or 18) is interconnected with chassis ground **M** of the CPU or interface module **IM**. Use a cable with a conductor cross-section of at least 1 mm<sup>2</sup>.

The module will shut down if the ground connection between M<sub>ANA</sub> and M is missing. Inputs are read with 7FFF<sub>H</sub>, and outputs return a value of 0. The module may be destroyed if operated without ground over a longer period of time.

- the **supply voltage for the CPU and/or the interface module (IM) may not be connected with reversed polarity**. Reverse polarity will inevitably lead to the destruction of the module, because M<sub>ANA</sub> develops an impermissible high potential (+24 V.)
-

**Wiring: Voltage measurement and current output**

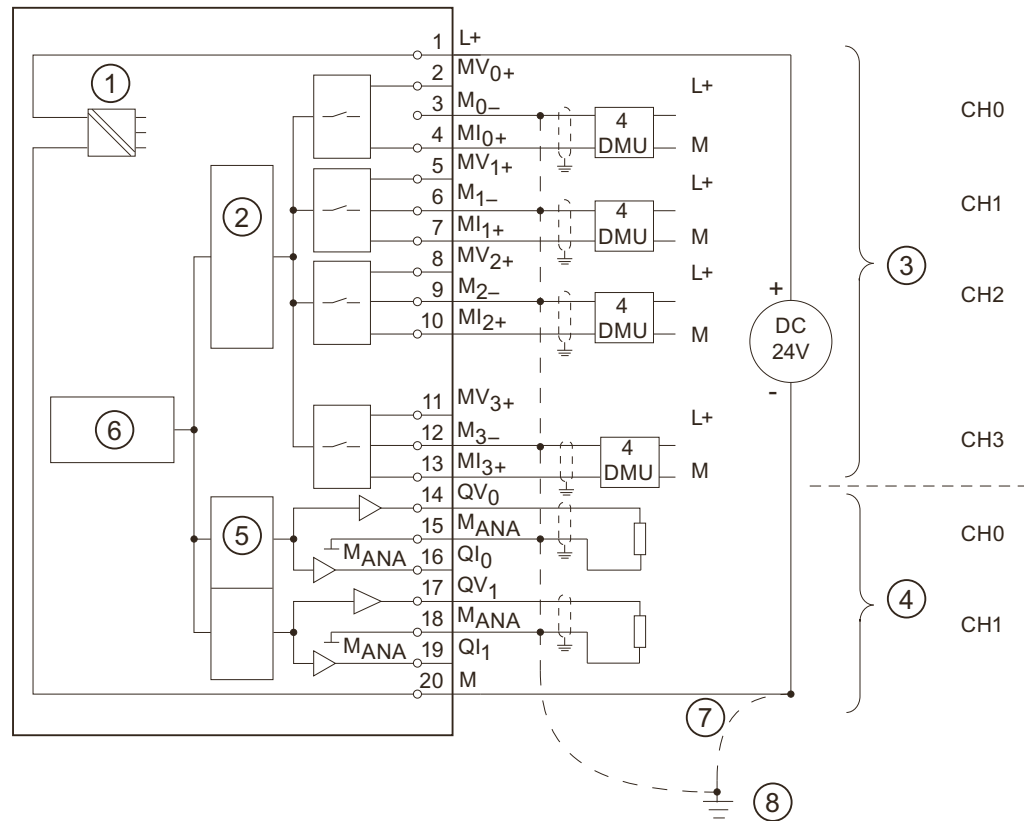


- ① Internal supply
- ② Analog-to-Digital Converter (ADC)
- ③ Inputs: Voltage measurement
- ④ Outputs: Voltage output
- ⑤ Digital-to-Analog Converter (DAC)
- ⑥ Backplane bus interface
- ⑦ Equipotential bonding
- ⑧ Functional earthing

Figure 6-50 Wiring and block diagrams



## Wiring: 4-wire transducers for current measurement and voltage output



- ① Internal supply
- ② Analog-to-Digital Converter (ADC)
- ③ Inputs: Current measurement with 4-wire transducer
- ④ Outputs: Voltage output
- ⑤ Digital-to-Analog Converter (DAC)
- ⑥ Backplane bus interface
- ⑦ Equipotential bonding
- ⑧ Functional earthing

Figure 6-51 Wiring and block diagrams

## Technical specifications

Technical specifications	
<b>Dimensions and weight</b>	
Dimensions W x H x D (mm)	40 x 125 x 117
Weight	ca. 285 g
<b>Module-specific data</b>	
Supports isochronous mode	no
Number of inputs	4
Number of outputs	2
Cable length	max. 200 m
• shielded	

Technical specifications	
<b>Voltages, currents, electrical potentials</b>	
Rated supply voltage of the rated electronics and load voltage L+	24 VDC
Electrical isolation	no yes
<ul style="list-style-type: none"> <li>between channels and the backplane bus</li> <li>between channels and electronics power supply</li> </ul>	
between channels	no
Maximum potential difference	1 VDC 1 VDC
<ul style="list-style-type: none"> <li>between inputs and M<sub>ANA</sub> (CMV)</li> <li>between inputs (CMV)</li> </ul>	
Isolation test voltage	500 VDC
Current consumption	max. 55 mA max. 110 mA
<ul style="list-style-type: none"> <li>from the backplane bus</li> <li>from supply and load voltage L+ (no load)</li> </ul>	
Power loss of the module	typ. 3 W
<b>Generation of analog input values</b>	
Measuring principle	Actual value conversion 8 bits
<ul style="list-style-type: none"> <li>Resolution (including overshoot range)</li> </ul>	
Integration/conversion time (per channel)	no <500
<ul style="list-style-type: none"> <li>programmable</li> <li>Integration time in <math>\mu</math>s</li> </ul>	
Basic execution time of inputs	max. 5 ms
Time constant of the input filter	0.8 ms
<b>Generation of analog output values</b>	
<ul style="list-style-type: none"> <li>Resolution (including overshoot range)</li> </ul>	8 bits
Conversion time (per channel)	no <500
<ul style="list-style-type: none"> <li>programmable</li> <li>Conversion time in <math>\mu</math>s</li> </ul>	
Basic execution time of outputs	max. 5 ms
Transient recovery time	0.3 ms 3.0 ms 0.3 ms
<ul style="list-style-type: none"> <li>with resistive load</li> <li>with capacitive load</li> <li>with inductive load</li> </ul>	
<b>Interference frequency suppression, error limits for inputs</b>	
Interference frequency suppression at $F = n$ ( $f1 \pm 1\%$ ) ( $f1$ = interference frequency)	
<ul style="list-style-type: none"> <li>Common mode interference (<math>V_{pp} &lt; 1</math> V)</li> </ul>	> 60 dB
Crosstalk between outputs	> 50 dB
Operational limit (across entire temperature range, relative to measurement range end value in the selected input range)	
<ul style="list-style-type: none"> <li>Voltage input</li> <li>Current input</li> </ul>	$\pm 0,9\%$ $\pm 0,8\%$
Basic error limit (operational limit at 25 °C, relative to measurement range end value of the selected input range)	
<ul style="list-style-type: none"> <li>Voltage input</li> <li>Current input</li> </ul>	$\pm 0,7\%$ $\pm 0,6\%$
Temperature error (relative to input range)	$\pm 0.005\%/K$

<b>Technical specifications</b>	
Linearity error (relative to input range)	± 0,05 %
Repeat accuracy (in transient state at 25 °C, relative to input range)	± 0,05 %
Output ripple; range 0 Hz to 50 kHz (relative to output range)	± 0,05 %
<b>Interference frequency suppression, error limits of outputs</b>	
Crosstalk between outputs	> 40 dB
Operational limit (across entire temperature range, relative to measurement range end value in the selected output range)	
<ul style="list-style-type: none"> <li>Voltage output</li> <li>Current output</li> </ul>	± 0,6 % ± 1,0 %
Basic error limit (operational limit at 25 °C, relative to the measurement range end value in the selected output range)	
<ul style="list-style-type: none"> <li>Voltage output</li> <li>Current output</li> </ul>	± 0,5 % ± 0,5 %
Temperature error (relative to output range)	± 0.02 %/K
Linearity error (relative to output range)	± 0,05 %
Repeat accuracy (in transient state at 25 °C, relative to output range)	± 0,05 %
Output ripple (bandwidth relative to output range)	± 0,05 %
<b>Status, interrupts, diagnostics</b>	
Interrupts	none
Diagnostic functions	none
<b>Sensor selection data</b>	
Input ranges (rated values) / input impedance <ul style="list-style-type: none"> <li>Voltage</li> <li>Current</li> </ul>	0 V to 10 V/100 k Ω 0 mA to 20 mA/50 Ω
Maximum voltage at voltage input (destruction limit)	max. 20 V continuous; 75 V for max. duration of 1 s (duty factor 1:20)
Maximum current at current input (destruction limit)	40 mA
Wiring of the signal sensors <ul style="list-style-type: none"> <li>for voltage measurement</li> <li>for current measurement as 2-wire transducer</li> <li>as 4-wire transducer</li> </ul>	using a 20-pin front connector supported  supported with external supply
<b>Actuator selection data</b>	
Output ranges (rated values) <ul style="list-style-type: none"> <li>Voltage</li> <li>Current</li> </ul>	0 V to 10 V 0 mA to 20 mA
Load impedance (in the rated output range)	
<ul style="list-style-type: none"> <li>For voltage outputs               <ul style="list-style-type: none"> <li>capacitive load</li> </ul> </li> <li>For current outputs               <ul style="list-style-type: none"> <li>inductive load</li> </ul> </li> </ul>	min. 5 kΩ max. 1 μF max. 300 Ω max. 1 mH
Voltage output <ul style="list-style-type: none"> <li>Short-circuit protection</li> <li>Short-circuit current</li> </ul>	yes max. 11 mA

Technical specifications	
Current output • noload voltage	max. 15 V
Destruction limit against external voltages/currents • Voltage at outputs to MANA • Current	max. 15 V, continuous max. 50 mA d.c.
Wiring of the actuators • for voltage output 2-wire connection 4-wire connection (measuring line)	using a 20-pin front connector  supported not supported

### 6.16.1 SM 334; AI 4/AO 2 x 8/8 Bit - Function principle

#### Introduction

SM 334; AI 4/AO 2 x 8/8 bit is a non-isolated analog IO module. SM 334; AI 4/AO 2 x 8/8 Bit is not programmable.

#### Addressing

The I/O of the module are addressed beginning at the module start address.  
The address of a channel is derived from the module start address and an address offset.

#### Input addresses

Valid input addresses:

Channel	Address
0	Module start address
1	Module start address + 2 bytes address offset
2	Module start address + 4 bytes address offset
3	Module start address + 6 bytes address offset

#### Output addresses

Valid output addresses:

Channel	Address
0	Module start address
1	Module start address + 2 bytes address offset

### 6.16.2 Measurement and output type of SM 334; AI 4/AO 2 x 8/8 bit

#### Introduction

SM 334; AI 4/AO 2 x 8/8 Bit is not programmable.

## Defining the measurement and output type

Set the measurement type (voltage, current) by hardwiring the input channel.  
Set the output type (voltage, current) by hardwiring the output channel.

### See also

[Representation of the values for analog input channels \(Page 218\)](#)

[Representation of analog values for analog output channels \(Page 233\)](#)

## 6.16.3 Measurement and output ranges of SM 334; AI 4/ AO 2 x 8/8 bit

### Measuring ranges

SM 334; AI 4/AO 2 x 8/8 Bit provides the 0 V to 10 V and 0 mA to 20 mA measuring ranges. By contrast to the other analog modules, the SM 334 has a lower resolution and no negative measuring ranges. Make allowances for this feature when reading the measured value tables *Analog value representation in the  $\pm 1$  V to  $\pm 10$  V measuring ranges* and *Analog value representation in the 0 mA to 20 mA and 4 mA to 20 mA measuring ranges*.

### Output ranges

SM 334; AI 4/AO 2 x 8/8 Bit provides the 0 V to 10 V and 0 mA to 20 mA output ranges. Compared to the other analog modules, the SM 334 has a lower resolution, and its analog outputs do not have any overshoot ranges. Make allowances for this feature when reading the tables *Analog value representation in the 0 V to 10 V and 1 V to 5 V output ranges* and *Analog value representation in the 0 mA to 20 mA and 4 mA to 20 mA output ranges*.

## 6.16.4 Additional information on SM 334; AI 4/AO2 x 8/8 Bit

### Unused channels

Always short-circuit unused input channels, and connect these to  $M_{ANA}$ . This optimizes interference immunity of the analog input module.  
Leave unused output channels open.

## 6.17 Analog IO module SM 334; AI 4/AO 2 x 12 bit; (6ES7334-0KE00-0AB0)

### Order number: "Standard module"

6ES7334-0KE00-0AB0

### Order number: "SIPLUS S7-300 module"

6AG1334-0KE00-2AB0

### Properties

- 4 inputs in 2 groups and 2 outputs in one group
- Resolution of 12 bits + sign

- Programmable measurement type at each channel group:
  - Voltage (not adjustable for channel 0 and channel 1)
  - Resistance
  - Temperature
- Electrically isolated to the backplane bus interface
- Electrically isolated to load voltage

**Terminal assignment**

The diagrams below show various wiring options.

**NOTE**

When you switch the rated load voltage supply on/off, the output may assume invalid interim values below the rated load voltage.

**Wiring: Resistance measurement, voltage measurement and voltage output**

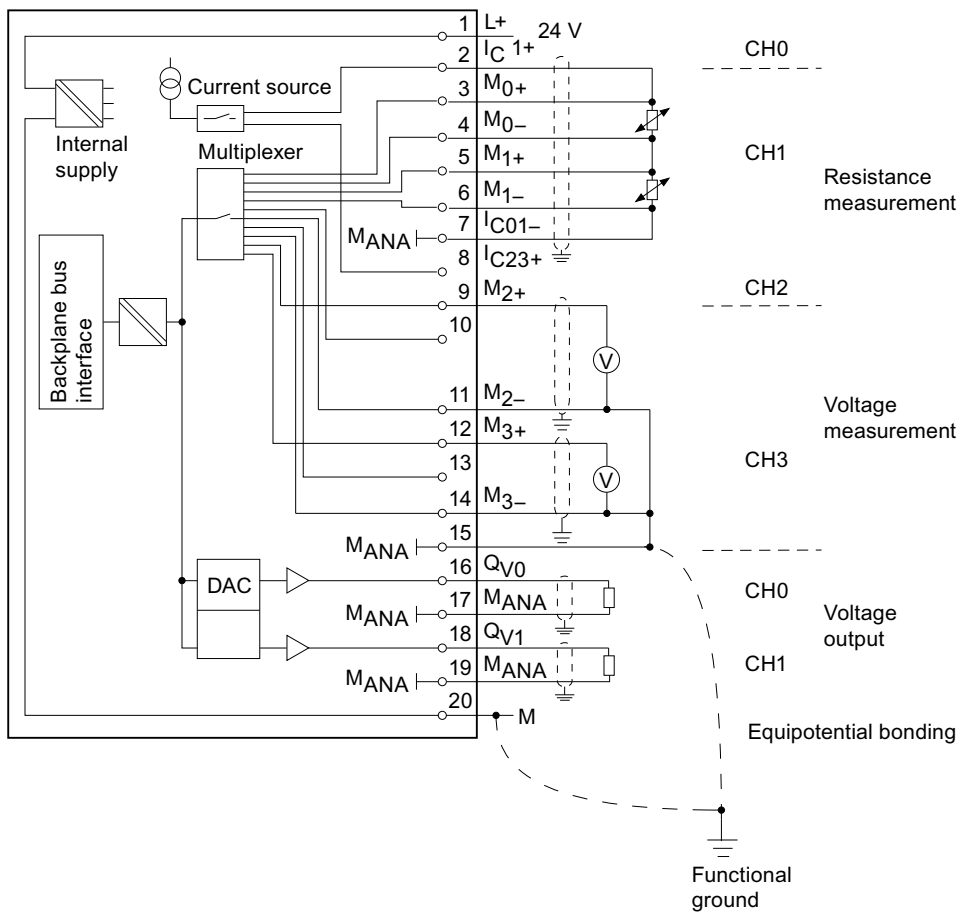


Figure 6-52 Wiring and block diagram

## Wiring: Resistance measurement and voltage output

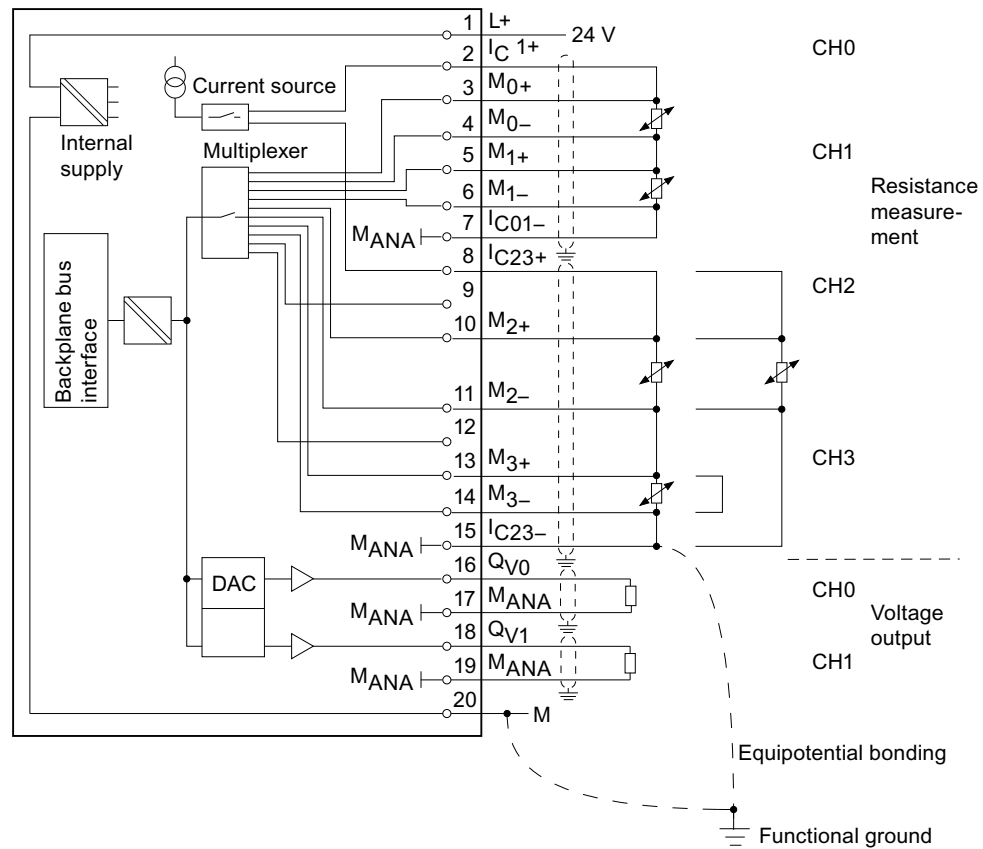


Figure 6-53 Wiring and block diagram

## Technical specifications

Technical specifications	
<b>Dimensions and weight</b>	
Dimensions W x H x D (mm)	40 x 125 x 117
Weight	approx. 200 g
<b>Module-specific data</b>	
Supports isochronous mode	No
Number of inputs	4
• with resistive transducers	4
Number of outputs	2
Shielded cable length	max. 100 m
<b>Voltages, currents, electrical potentials</b>	
Supply voltage of the rated electronics and load voltage L+	24 V DC
• Reverse polarity protection	Yes

Technical specifications		
Constant measuring current for resistive transducers (pulsed) <ul style="list-style-type: none"> <li>For PT 100</li> <li>at 10 kΩ</li> </ul>	typ. 490 μA; from product version 06: 1.5 mA typ. 105 μA	
Electrical isolation <ul style="list-style-type: none"> <li>between channels and the backplane bus</li> <li>between channels and electronics power supply</li> </ul>	Yes Yes	
between channels	No	
Maximum potential difference <ul style="list-style-type: none"> <li>between inputs and <math>M_{ANA}</math> (<math>V_{CM}</math>)</li> <li>between inputs (<math>V_{CM}</math>)</li> </ul>	1 V 1 V	
Isolation test voltage	500 V DC	
Current consumption <ul style="list-style-type: none"> <li>from the backplane bus</li> <li>from supply and load voltage L+ (no load)</li> </ul>	max. 60 mA max. 80 mA	
Power loss of the module	typ. 2 W	
Generation of analog input values		
Measuring principle	Integrating	
Integration/conversion time (per channel)		
<ul style="list-style-type: none"> <li>programmable</li> </ul>	Yes	
<ul style="list-style-type: none"> <li>Integration time in ms</li> </ul>	$16^2/3$	20
<ul style="list-style-type: none"> <li>Basic conversion time, including the integration time in ms</li> </ul>	72	85
<ul style="list-style-type: none"> <li>Additional conversion time for resistance measurements in ms</li> </ul>	72	85
<ul style="list-style-type: none"> <li>Resolution in bits (including overshoot range)</li> </ul>	12 bits	12 bits
<ul style="list-style-type: none"> <li>Interference frequency suppression at interference frequency f1 in Hz</li> </ul>	60	50
Measured value smoothing	programmable, in 2 stages	
Time constant of the input filter	0.9 ms	
Basic execution time of the module (all channels enabled)	350 ms	
Generation of analog output values		
Resolution (including overshoot range)	12 bits	
Conversion time (per channel)	500 μs	
Transient recovery time <ul style="list-style-type: none"> <li>with resistive load</li> <li>with capacitive load</li> </ul>	0.8 ms 0.8 ms	
Interference frequency suppression, error limits for inputs		
Interference frequency suppression at $F = n$ ( $f1 \pm 1\%$ ) ( $f1$ = interference frequency)		
<ul style="list-style-type: none"> <li>Common mode interference (<math>V_{pp} &lt; 1</math> V)</li> <li>Seriesmode interference (peak interference value &lt; rated input range)</li> </ul>	> 38 dB > 36 dB	
Crosstalk between inputs	> 88 dB	
Operational limit (across entire temperature range, relative to the measurement range end value in the selected input range)		



## 6.17 Analog IO module SM 334; AI 4/AO 2 x 12 bit; (6ES7334-0KE00-0AB0)

Technical specifications		
• Voltage input	0 V to 10 V	± 0.7 %
• Resistance input	10 kΩ	± 3.5 %
• Temperature input	Pt 100	± 1 %
Basic error limit (operational limit at 25 °C, relative to the measurement range end value in the selected input range)		
• Voltage input	0 V to 10 V	±0.5 %
• Resistance input	10 kΩ	± 2.8 %
• Temperature input	Pt 100	± 0.8 %
Temperature error (relative to input range)	± 0.01 %/K	
Linearity error (relative to input range)	±0.05 %	
Repeat accuracy (in settled state at 25 °C, relative to input range)	± 0.05 %	
Interference frequency suppression, error limits of outputs		
Crosstalk between outputs	> 88 dB	
Operational limit (across entire temperature range, relative to measurement range end value in the selected output range)		
• Voltage output	± 1.0 %	
Basic error limit (operational limit at 25 °C, relative to the measurement range end value in the selected output range)		
• Voltage output	± 0.85 %	
Temperature error (relative to output range)	± 0.01 %/K	
Linearity error (relative to output range)	± 0.01 %	
Repeat accuracy (in transient state at 25 °C, relative to output range)	± 0.01 %	
Output ripple; range 0 Hz to 50 kHz (relative to output range)	± 0.1 %	
Status, interrupts, diagnostics		
Interrupts	none	
Diagnostic function	none	
Encoder selection data		
Input ranges (rated values) / input impedance		
• Voltage	0 V to 10 V	100 kΩ
• Resistance	10 kΩ	10 MΩ
• Temperature	Pt 100	10 MΩ
Maximum voltage at voltage input (destruction limit)	max. 20 V continuous; 75 V for max. duration of 1 s (duty factor 1:20)	
Wiring of the signal transmitters	supported	
• for voltage measurement	supported	
• for resistance measurement	supported	
with 2-wire connection	supported	
with 3-wire connection	supported	
with 4-wire connection	supported	
Characteristics linearization	programmable	
• for resistance thermometers	Pt 100 (Climatic range)	
Technical unit of data formats	degrees Centigrade	
Actuator selection data		

Technical specifications	
Output range (rated value) • Voltage	0 V to 10 V
Load impedance (in the rated output range)	
• For voltage outputs – capacitive load	min. 2.5 kΩ * max. 1.0 μF
Voltage output • Short-circuit protection • Short-circuit current	Yes max. 30 mA
Destruction limit against external voltages/currents • Voltage at outputs to MANA	max. 15 V, continuous
Wiring of the actuators • for voltage output 2-wire connection 4-wire connection (measuring line)	using a 20-pin front connector  supported not supported

\* the error limits specified for the outputs are only valid when there is a high-ohm connection. In the entire load resistance range, an additional error of <0.9 % can result.

### 6.17.1 Programmable parameters

#### Introduction

For general information on programming analog modules, refer to the chapter Programming analog modules (Page 244).

The table below provides an overview of configurable parameters, including defaults:

Table 6-40 Summary of parameters SM 334; AI 4/AO 2 x 12 Bit

Parameters	Range of values	Default	Parameter type	Scope
<b>Input</b> Measurement • Measurement type	disabled	RTD-4L		
	V R-4L RTD-4L	Voltage Resistance (4-wire connection) Thermal resistance (linear, 4-wire connection)	dynamic	Channel
• Measuring range	0 V to 10 V 10000 Ω Pt 100 Klima	Pt 100 Klima		
<b>Output</b> • Output type  • Output range	disabled Voltage 0 V to 10 V	V  0 V to 10 V	dynamic	Channel

## 6.17.2 Measurement types and ranges

### Introduction

You can configure the outputs for operation as voltage or current outputs, or disable these. You can wire the outputs as voltage outputs, or disable these. Program the outputs at the "measurement type" AND output type" parameters in *STEP 7*.

### Input defaults

The "thermoelectric resistance (linear, 4-wire connection)" measurement type and "Pt 100 Klima" measuring range are set by default at the module. You can use these default settings without having to program the SM 334; AI 4/AO 2 x12 Bit in *STEP 7*.

### Options of wiring the input channels

You can wire the input channels of SM 334; AI 4/AO 2 x 12 Bit in the following combinations:

Channel	Wiring versions
Channels 0 and 1	<ul style="list-style-type: none"> <li>• 2 x temperature or</li> <li>• 2 x resistance</li> </ul>
Channels 2 and 3	<ul style="list-style-type: none"> <li>• 2 x voltage,</li> <li>• 2 x resistance,</li> <li>• 2 x temperature,</li> <li>• 1 x temperature and 1 x voltage, or</li> <li>• 1 x resistance and 1 x voltage</li> </ul>

#### NOTE

Wiring both a temperature sensor and a resistor to channels 0 and 1 or 2 and 3 is not allowed.

Reason: Common current source for both channels.

### Measuring ranges

Program the measuring ranges in *STEP 7*.

Table 6-41 Measurement types and ranges

Selected type of measurement	Measuring range
V: Voltage	0 V to 10 V
R-4L: resistance (4-wire connection)	10 k $\Omega$
RTD-4L: Thermoresistor (linear, 4-wire connection) (temperature measurement)	Pt 100 Klima

### Output ranges of SM 334; AI 4/ AO 2 x 12 bit

The "voltage" output type and "0 V to 10 V" output range are set by default at the module. You can always use this combination of the output type and range without having to program the SM 334; AO 4 x 2 Bit in *STEP 7*.

Table 6-42 Output ranges

Selected type of output	Output range
Voltage	0 V to 10 V

#### See also

[Representation of analog values for analog output channels \(Page 233\)](#)

### 6.17.3 Additional information on SM 334; AI 4/ AO 2 x 12 bit

#### Unused channels

Set the "disabled" value at the "measurement type" parameter for unused input channels. This setting reduces module cycle times.

Always short-circuit unused input channels, and connect these to  $M_{ANA}$ . This optimizes interference immunity of the analog input module.

To take the unused output channels of SM 334; AI 4/AO 2 x 12 Bit off power, always set "disabled" argument at the "output type" parameter, and leave the connection open.

## Other signal modules

### Signal modules

This chapter describes the technical data and properties of the S7-300 signal modules.

## 7.1 Module overview

### Introduction

The table below summarizes the essential features of the signal modules described in this chapter. This overview supports you in selecting a module to suit your requirements.

Table 7-1 Special signal modules: Overview of properties

Properties	Simulator module SM 374; IN/OUT 16	Dummy module DM 370	Position decoder module SM 338; POS-INPUT
Number of inputs/outputs	<ul style="list-style-type: none"> <li>max. 16 inputs or outputs</li> </ul>	1 slot reserved for non-programmable module	<ul style="list-style-type: none"> <li>3 inputs for absolute encoders (SSI)</li> <li>2 digital inputs for freezing encoder values</li> </ul>
Suitable for...	Simulation of: <ul style="list-style-type: none"> <li>16 inputs or</li> <li>16 outputs or</li> <li>8 inputs and 8 outputs</li> </ul>	Dummy for: <ul style="list-style-type: none"> <li>Interface modules</li> <li>non-programmable signal modules</li> <li>modules which occupy 2 slots</li> </ul>	Position detection using up to three absolute encoders (SSI) Encoder types: Absolute encoder (SSI), message frame length 13 bits, 21 bits or 25 bits Data formats: Gray code or binary code
Isochronous mode supported	no	no	yes
Programmable diagnostics	no	no	no
Diagnostics interrupt	no	no	programmable
Special features	Function adjustable with screwdriver	the mechanical structure and addressing of the overall configuration remains unchanged when DM 370 is replaced with a different module.	SM 338 does not support absolute encoders with a monoflop time > 64 $\mu$ s

## 7.2 Simulator module SM 374; IN/OUT 16; (6ES7374-2XH01-0AA0)

### Order number

6ES7374-2XH01-0AA0

## Properties

Properties of simulator module SM 374; IN/OUT 16:

- Simulation of:
  - 16 inputs or
  - 16 outputs or
  - 8 inputs and 8 outputs (each with the same start addresses!)
- Status displays for the simulation of inputs and outputs
- Function adjustable with screwdriver

---

### NOTE

Do not operate the function selection switch in RUN!

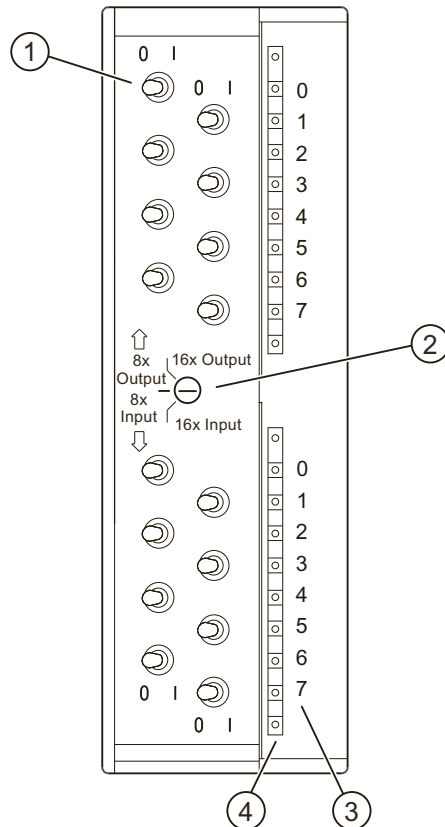
---

## Configuration in STEP 7

The simulator module SM 374; IN/OUT 16 is not included in the *STEP 7* module catalog. *STEP 7* therefore does not recognize the SM 374 order number. "Simulate" the simulator module function required for your configuration as follows:

- To use the SM 374 **with 16 inputs**, define the order number of a digital input module with 16 inputs in *STEP 7*,  
for example: 6ES7321-1BH02-0AA0
- To use the SM 374 **with 16 outputs**, define the order number of a digital output module with 16 outputs in *STEP 7*,  
for example: 6ES7322-1BH01-0AA0
- To use the SM 374 **with 8 inputs and 8 outputs**, define the order number of a digital input/output module with 8 inputs and 8 outputs in *STEP 7*,  
for example: 6ES7323-1BH00-0AA0

## Module view (without front panel door)



- ① Input status selector switch
- ② Function selector switch
- ③ Channel number
- ④ Status displays - green

## Technical data of SM 374; IN/OUT 16

Technical data	
<b>Dimensions and weight</b>	
Dimensions W x H x D (mm)	40 x 125 x 110
Weight	approx. 190 g
<b>Module-specific data</b>	
Optional simulation of	16 inputs 16 outputs 8 inputs and 8 outputs
<b>Voltages, currents, electrical potentials</b>	
Current consumption from the backplane bus	max. 80 mA
Power loss of the module	typ. 0.35 W
<b>Status, interrupts, diagnostics</b>	

Technical data	
Status display	yes, green LED for each channel
Interrupts	no
Diagnostics functions	no

## 7.3 Dummy module DM 370; (6ES7370-0AA01-0AA0)

### Order number

6ES7 370-0AA01-0AA0

### Properties

The dummy module DM 370 reserves a slot for a non-configured module. It can be used as dummy module for:

- Interface modules (without reservation of address space)
- Non-configured signal modules (with reservation of address space)
- Modules which occupy 2 slots (with reservation of address space)

When replacing the dummy module with another S7-300 module, the mechanical assembly and address assignment/addressing of the entire configuration remain unchanged.

### Configuration in STEP 7

Configure the DM 370 dummy module in *STEP 7* only if you module for a programmed signal module. If the module reserves the slot for an interface module, you can discard module configuration in *STEP 7*.

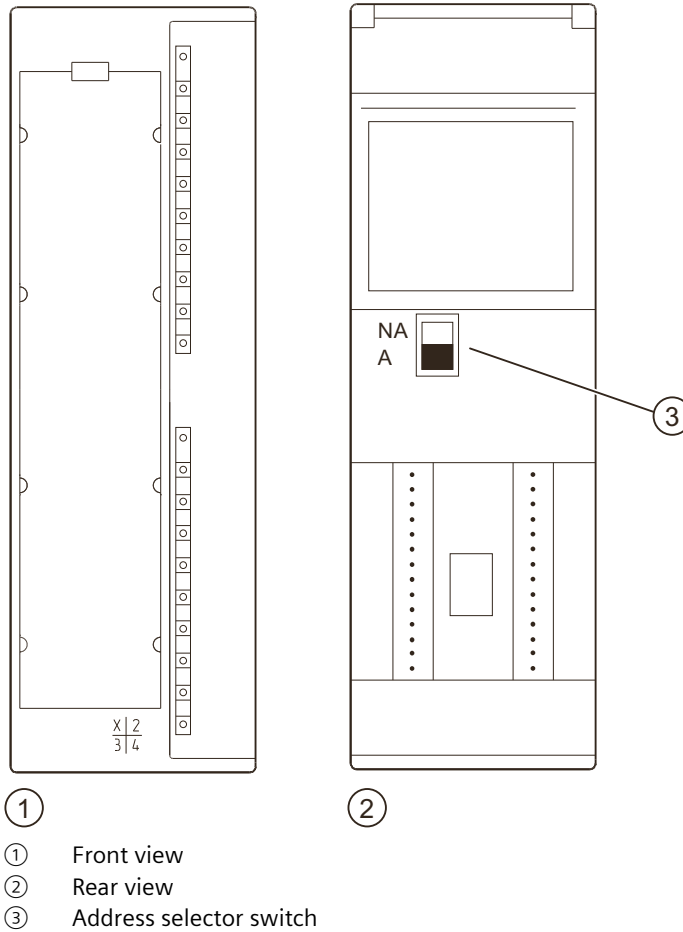
### Modules which occupy 2 slots

Install two dummy modules for modules which occupy 2 slots. You only reserve the address space using the dummy module in slot "x", rather than the dummy module in slot "x + 1". For details of the procedure, see the table below.

The rack can receive up to 8 modules (SM/FM/CP.) When using two dummy modules to reserve a slot for a module of 80 mm width, you may still install 7 further modules (SM/FM/CP) because the dummy module only uses the address space for one module.




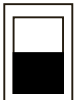
**Module view**



**Switch settings for addressing**

The table below shows how to set the switch on the rear panel of the module, according to the module type.

Table 7-2 Meaning of the switch settings of dummy module DM 370

Switch setting	Meaning	Use
NA  A	The dummy module reserves one slot. The module will not be configured, and does not use any address space.	<ul style="list-style-type: none"> <li>Without active backplane bus: For configurations where a single slot is physically reserved, with electrical connection to the S7-300 bus.</li> <li>With active backplane bus: no</li> </ul>
NA  A	The dummy module reserves one slot. The module must be configured and occupies 1 byte in the input address space (system default: not in the process image.)	For configurations where an addressed slot is reserved.

**Technical data of DM 370**

<b>Technical data</b>	
<b>Dimensions and weight</b>	
Dimensions W x H x D (mm)	40 x 125 x 120
Weight	approx. 180 g
<b>Voltages, currents, electrical potentials</b>	
Current consumption from the backplane bus	approx. 5 mA
Power loss	typ. 0.03 W

## 7.4 Position decoder module SM 338; POS-INPUT; (6ES7338-4BC01-0AB0)

**Order number**

6ES7 338-4BC01-0AB0

**Properties**

Properties of position decoder module SM 338; POS-INPUT:

- 3 inputs for the connection of up to three absolute value encoders (SSI), and 2 digital inputs to freeze encoder values
- Allows direct reaction to encoder values in motion systems
- Processing of encoder values recorded by SM 338 in the user program
- Supports isochronous mode
- Selectable encoder value acquisition mode:
  - cyclic
  - isochronous
- Rated input voltage 24 VDC
- Nonisolated to the CPU
- Fast Mode selectable; with faster transducer action and compressed feedback interface. The Fast Mode is available from firmware version V2.0.0 in SM 338; POS-INPUT and can be selected from STEP 7 V5.3+SP2.

**Supported encoder types**

Encoder types supported by SM 338; POS-INPUT:

- Absolute value encoder (SSI), frame length 13 bit
- Absolute value encoder (SSI), frame length 21 bit
- Absolute value encoder (SSI), frame length 25 bit

**Supported data formats**

SM 338; POS-INPUT supports gray code and binary code.

## Firmware update

To extend functions and for troubleshooting, it is possible with the help of STEP 7 HW-Config to load firmware updates in the operating system memory of the SM 338; POS-INPUT.

---

### NOTE

When you boot the firmware update, the old firmware is deleted. If the firmware update is interrupted or terminated for some reason, thereafter the SM 338; POS-INPUT ceases to function properly. Reboot the firmware update and wait until this has completed successfully.

---

---

### NOTE

The firmware update is only possible in remote operation if the header assembly (slave circuit) employed supports the system services required for this.

---

## 7.4.1 Isochronous mode

---

### NOTE

For basic information on isochronous mode, refer to the *SIMATIC; isochronous mode* function manual.

---

## Hardware requirements

To operate SM 338 in isochronous mode, you need:

- a CPU which supports isochronous mode
- a DP master which supports the constant bus cycle
- a slave interface (IM 153-x) which supports isochronous mode

## Properties

SM 338 operates in non-isochronous or isochronous mode, depending on system parameters. In isochronous mode, data are exchanged between the DP master and SM 338 in synchronism to the PROFIBUS DP cycle.

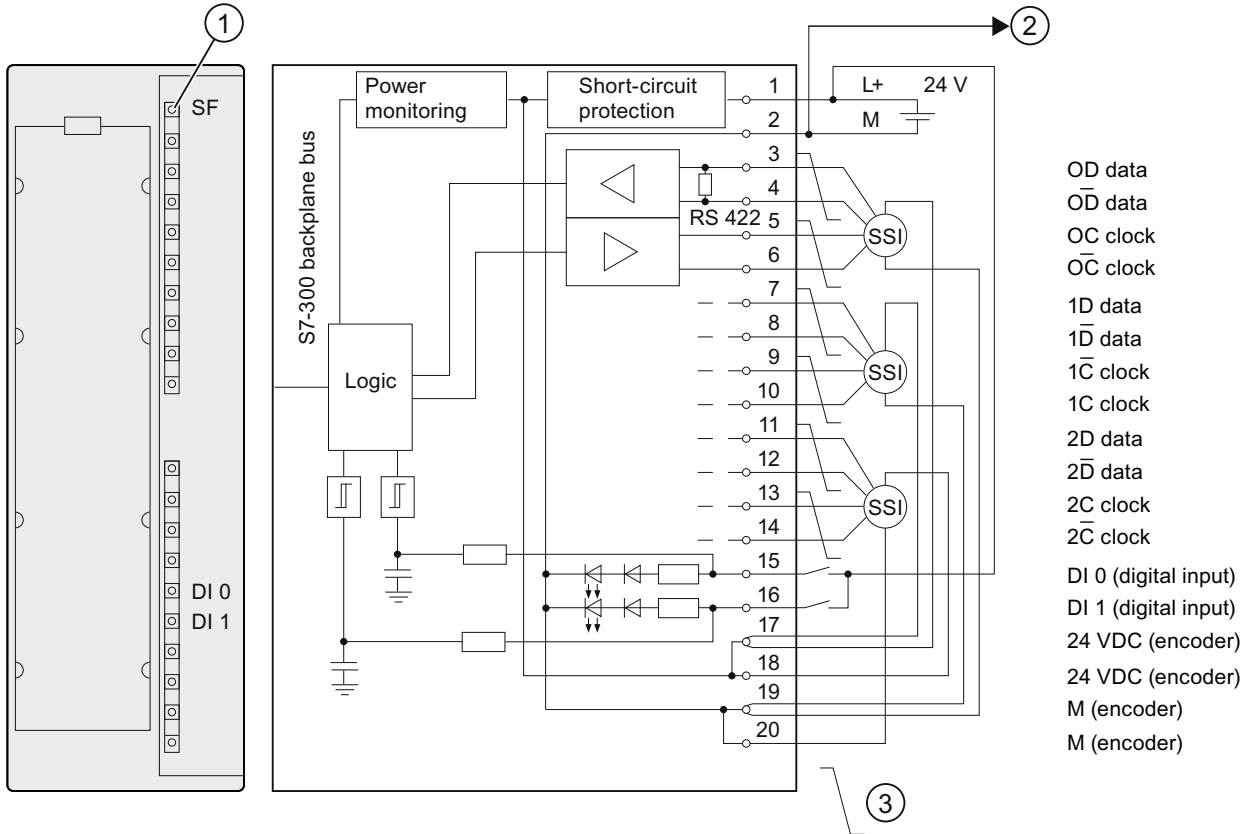
In isochronous mode, all 16 bytes of the feedback interface are consistent.

If synchronism is lost due to disturbance or failure/delay of Global Control (GC), the SM 338 resumes isochronous mode at the next cycle without error reaction.

If synchronism is lost, the feedback interface is not updated.

## 7.4.2 Wiring and block diagrams

### Wiring and block diagrams



- ① Error LED - red
- ② Connection to CPU ground
- ③ Twisted-pair cables

### Wiring rules

Important rules to observe wiring the module:

- Ground of the encoder supply is connected to CPU ground potential. Thus, establish a low impedance connection between pin 2 of SM 338 (M) and CPU ground.
- Always use shielded twisted-pair cable to wire encoder signals (pins 3 to 14.) Connect both ends of the shielding.  
Use the shield connection element to terminate the shielding on SM 338 (order number 6ES7390-5AA00-0AA0).
- Connect an external power supply if the maximum output current (900 mA) of the encoder supply is exceeded.

### 7.4.3 Functions of SM 338; POS-INPUT; encoder value acquisition

#### 7.4.3.1 Encoder value acquisition

The absolute value encoder transfers its values in frames to the SM 338. The SM 338 initiates the frame transfer.

- In non-isochronous mode, the encoder values are acquired cyclically.
- In isochronous mode, the encoder values are acquired in synchronism with the PROFIBUS DP cycle at each  $T_i$ .

#### Cyclic encoder value acquisition

The SM 338 always initiates a frame transfer at the end of the programmed monoflop time. Asynchronously to these cyclic frames, the SM 338 processes the acquired encoder values cyclically, based on its refresh rate (refer to the chapter "Technical data of SM 338; POS-INPUT (Page 424)").

Thus, cyclic acquisition returns encoder values of different ages. The difference between the min./max. age represents the jitter (refer to the chapter "Technical data of SM 338; POS-INPUT (Page 424)").

#### Isochronous encoder value acquisition

Isochronous encoder values acquisition is automatically set when the DP master system operates with active constant bus cycle, and the DP slave is in synchronism with the DP cycle. SM 338 initiates a frame transfer in each PROFIBUS DP cycle, at the time  $T_i$ .

The SM 338 processes the transferred encoder values in synchronism with the PROFIBUS DP cycle.

#### 7.4.3.2 Gray code/binary code converter

When Gray code is set, the Gray code value returned by the absolute value encoder is converted into binary code. When binary code is set, the values returned by the encoder remain unchanged.

---

#### NOTE

When you set Gray code, the SM 338 always converts the entire encoder value (13, 21, 25 bits). As a result, any leading special bits will influence the encoder value, and the appended bits may be corrupted.

---

#### 7.4.3.3 Transferred encoder value and scaling

The transferred encoder value contains the encoder position of the absolute value encoder. In addition to the encoder position, the encoder transfers additional bits located before and after the encoder position, depending on the encoder used.

The SM 338 determines the encoder position based on the following settings:

- Scaling, places (0..12), or
- scaling, steps / revolution



## Terminating the freeze function

The freeze function must be terminated separately at each encoder input. You acknowledge the function in the user program by using STEP 7 operation T PAB to set bit 0, 1 or 2 to "xyz" according to the channel (Program example: refer to chapter "AUTOHOTSPOT").

The acknowledgement resets bit 31 of the corresponding encoder value, and initiates a refresh of the encoder values. You can freeze the encoder values again after you cleared the ACK bit at the output address of the module.

In isochronous mode, the acknowledgement is processed at the time  $T_0$ . From this point on, you can freeze the encoder values again by setting the digital inputs.

---

### NOTE

The Freeze function is acknowledged automatically when you assign new parameters with different arguments to the relevant channel (refer to chapter "AUTOHOTSPOT").

If the parameter are identical the Freeze function remains unaffected.

---

## 7.4.4 Parametrization SM 338 POS-INPUT

You parameterize the SM 338; POS-INPUT in *STEP 7*. Always parameterize the module while the CPU is in STOP mode.

After you completed the parameter assignment, download the parameters from the PG to the CPU. At its next STOP → RUN transition, the CPU transfers the parameters to the SM 338.

New parameters can not be assigned by the user program.

### Parameters of SM 338; POS-INPUT

The table below provides an overview of configurable parameters and defaults for the SM 338.

The defaults apply if you have not set any parameters in *STEP 7* (default setting bold).

Table 7-3 Parameters of SM 338; POS-INPUT

Parameters	Range of values	Note
Enable • Fast-Mode	yes / no	Enable parameter. Applies to all 3 channels.
Enable • Diagnostic interrupt	yes / no	Enable parameter. Applies to all 3 channels.
Absolute value encoder (SSI) <sup>1)</sup>	none; <b>13 bits</b> ; 21 bits; 25 bits	none: The encoder input is switched off.
Code type <sup>1)</sup>	<b>Gray</b> ; Binary	Code returned by the encoder.
Baud rate <sup>1,3)</sup>	<b>125 kHz</b> ; 250 kHz; 500 kHz; 1 MHz	Data transfer rate of the SSI position detection. Observe the relationship between cable lengths and the transmission rate (refer to chapter "Technical data of SM 338; POS-INPUT (Page 424)")

Parameters	Range of values	Note
Monoflop time <sup>1),2),3)</sup>	16 µs; 32 µs; 48 µs; <b>64 µs</b>	The monoflop time represents the minimum interval between two SSI frames. The configured monoflop time must be greater than the monoflop time of the absolute value encoder.
Scaling <ul style="list-style-type: none"> <li>Places</li> <li>Steps per revolution <sup>4</sup></li> </ul>	<b>0</b> to 12 2 to <b>8192</b>	Scaling right-aligns the encoder value in the address space; irrelevant places are discarded.
Enabling the Freeze function	<b>off</b> ; 0; 1	Definition of the digital input that initiates freezing of the encoder value at the positive edge.

<sup>1</sup> Refer to the technical specifications of the absolute value encoder

<sup>2</sup> The monoflop time represents the interval between two SSI frames. The configured monoflop time must be greater than the monoflop time of the absolute value encoder (see the technical data of the manufacturer). The time  $2 \times (1 / \text{transmission rate})$  is added to the value set in HW Config. A transmission rate of 125 kHz and configured monoflop time of 16 µs sets an effective monoflop time of 32 µs.

<sup>3</sup> Restriction of the monoflop time of the absolute value encoder:  
 $(1 / \text{transmission rate}) < \text{monoflop time of the absolute value encoder} < 64 \mu\text{s} + 2 \times (1 / \text{transmission rate})$

<sup>4</sup> to powers of two

#### NOTE

Please note that in asynchronous mode, the transmission rate and monoflop time affect the accuracy and update quality of the encoder values. In isochronous mode, the transmission rate and monoflop time have an influence on the accuracy of the freeze function.

## 7.4.5 Addressing SM 338 POS-INPUT

### Data areas for encoder values

The SM 338 inputs and outputs are addressed beginning at the module start address. The input and output address is determined in your configuration of SM 338 in *STEP 7*.

### Input addresses

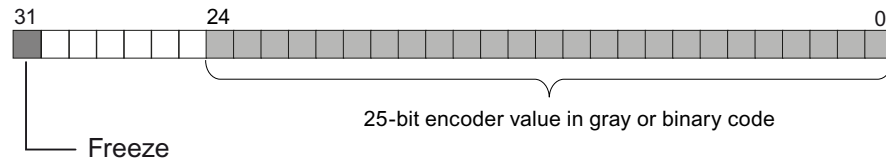
Table 7-4 SM 338; POS-INPUT: Input addresses

Encoder input	Input address (derived from configuration) + address offset
0	"Module start address"
1	"Module start address" + 4 byte address offset
2	"Module start address" +8 byte address offset



### Structure of double data word in Standard Mode

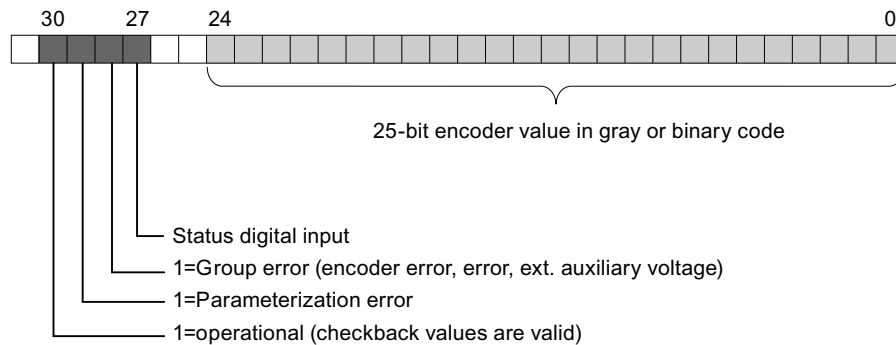
Double data word structure of the encoder inputs:



- 0 = Encoder value is not frozen. The value is continuously updated.
- 1 = Encoder value is frozen. The value remains constant until acknowledgement.

### Structure of double data word in Fast Mode

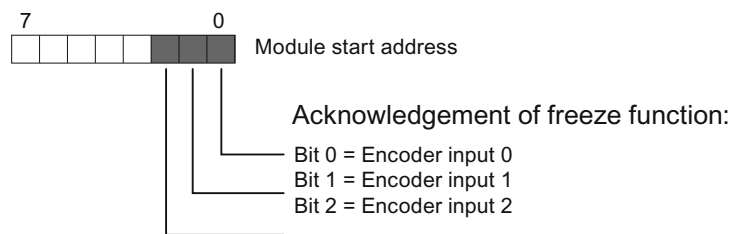
Double data word structure of the encoder inputs:



In the double data word from channel 0, the status of digital input I0 is reported to bit 27 (digital input status) and the double data word from channel 1 is reported to digital input I1. In the double data word from channel 2, the bit is always = 0.

### Output address in Standard Mode

no output data are supported in Fast Mode.



### Reading data areas

You can read the data areas in your user program using the STEP 7 operation L PED "xyz."

### Example of access to encoder values and use of the freeze function

You want to read and evaluate the values at the encoder inputs. The module start address is 256.

STL			Explanation
L	PED	256	// Read encoder value in the address area for encoder input 0
T	MD	100	// Save encoder value to memory double word
A	M	100.7	// Freeze state for subsequent acknowledgement
=	M	99.0	// Determine and save
L	PED	230	// Read encoder value in the address area for encoder input 1
T	MD	104	// Save encoder value to memory double word
A	M	104.7	// Freeze state for subsequent acknowledgement
=	M	99.1	// Determine and save
L	PED	264	// Read encoder value in the address area for encoder input 2
T	MD	108	// Save encoder value to memory double word
A	M	108.7	// Freeze state for subsequent acknowledgement
=	M	99.2	// determine and save
L	MB	99	// Load freeze state and
T	POB	256	// acknowledge (SM 338: output address 256)

You can then process the encoder values from the bit memory address areas MD 100, MD 104 and MD 108. The encoder value is set in bits 0 to 30 of the memory double word.

## 7.4.6 Diagnostics of SM 338; POS-INPUT

### Introduction

The SM 338 provides diagnostics messages, i.e. it always provides all diagnostics messages without user intervention.

### Reactions to a diagnostic message in STEP 7

Actions initiated by diagnostic messages:

- The diagnostic message is entered in the diagnosis of the module and forwarded to the CPU.
- The SF LED on the module is lit.
- If you have set "Enable Diagnostic Interrupt" in *STEP 7*, the system triggers a diagnostic interrupt and calls OB 82.

## Reading diagnostic messages

You can read detailed diagnostic messages using SFCs in the user program (refer to section Diagnostics data of SM 338; POS-INPUT [\(Page 495\)](#)).

You can view the cause of the error in the module diagnostics data in *STEP 7* (refer to the *STEP 7* Online Help.)

## Diagnostic message using the SF LED

The SM 338 indicates errors at its SF LED (group error LED.) The SF LED lights up when the SM 338 generates a diagnostic message. It goes dark after all error states are cleared.

The SF LED also lights up to indicate external errors (short-circuit at the encoder supply), regardless of the CPU operating state (at POWER ON.)

The SF LED lights up temporarily at startup, during the self test of SM 338.

## Diagnostic messages of SM338; POS-INPUT

The table below provides an overview of the diagnostic messages of SM 338; POS-INPUT.

Table 7-5 Diagnostic messages of SM 338; POS INPUT

Diagnostic message	LED	Scope of diagnostics
Module error	SF	Module
Internal error	SF	Module
External error	SF	Module
Channel error	SF	Module
External auxiliary voltage missing	SF	Module
Module not programmed	SF	Module
Incorrect parameters	SF	Module
Channel information available	SF	Module
Watchdog time-out	SF	Module
Channel error	SF	Channel (encoder input)
Configuration / programming error	SF	Channel (encoder input)
External channel error (encoder error)	SF	Channel (encoder input)

## Causes of error and troubleshooting

Table 7-6 Diagnostic messages of SM 338, causes of error and troubleshooting

Diagnostic message	Possible cause of error	To correct or avoid error
Module error	Any, the module has detected an error.	
Internal error	Module has detected an error within the automation system.	
External error	Module has detected an error outside of the automation system.	
Channel error	Indicates that only specific channels are faulty.	
External auxiliary voltage missing	Supply voltage L+ of the module is missing	Feed supply L+

Diagnostic message	Possible cause of error	To correct or avoid error
Module not programmed	Module requires information whether it should operate with default system parameters or user parameters.	Message present after power on, until the CPU has completed the transfer of parameters; configure the module as required.
Incorrect parameters	One parameter, or the combination of parameters, is not plausible	Program the module
Channel information available	Channel error; module can provide additional channel information.	
Watchdog time-out	Infrequent high electromagnetic interference	Eliminate interference
Channel error	Any, the module has detected an error at the encoder input.	
Configuration / programming error	Illegal parameter transferred to module	Program the module
External channel error (encoder error)	Wire-break at encoder cable, encoder cable not connected, or encoder defective.	Check connected encoder

## 7.4.7 SM 338; POS INPUT - Interrupts

### Introduction

This chapter describes the interrupt reaction of SM 338; POS-INPUT. The SM 338 can trigger diagnostic interrupts.

For detailed information on the OBs and SFCs mentioned below, refer to the *STEP 7* Online Help.

### Enabling interrupts

There is no default interrupt setting, i.e. interrupts are disabled if not set accordingly. You configure the interrupt enable parameter in *STEP 7* (refer to chapter "Parametrization SM 338 POS-INPUT (Page 419)").

### Diagnostic interrupt

If you have enabled diagnostic interrupts, the incoming error events (initial occurrence of the error) and outgoing error events (message after troubleshooting) are reported by means of interrupts.

The CPU interrupts user program execution, and executes diagnostic interrupt OB82.

You can call SFC 51 or 59 in OB82 in the user program to view detailed diagnostic data output by the module.

Diagnostics data remain consistent until the program exits OB 82. The module acknowledges the diagnostic interrupt when the program exits OB82.

## 7.4.8 Technical data of SM 338; POS-INPUT

### Technical data of SM 338; POS-INPUT

Technical data	
Dimensions and weight	
Dimensions W x H x D (mm)	40 x 125 x 120

## 7.4 Position decoder module SM 338; POS-INPUT; (6ES7338-4BC01-0AB0)

Technical data			
Weight	Approx. 235 g		
<b>Voltages, currents, electrical potentials</b>			
Rated load voltage L+ <ul style="list-style-type: none"> <li>Range</li> <li>Reverse polarity protection</li> </ul>	24 VDC 20.4 ... 28.8 V No		
Electrical isolation	No, only to shield		
Maximum potential difference <ul style="list-style-type: none"> <li>Between the input (M terminal) and CPU grounding bus-bar</li> </ul>	1 VDC		
Encoder supply <ul style="list-style-type: none"> <li>Output voltage</li> <li>Output current</li> </ul>	L+ -0.8 V Max. 900 mA, short circuit-proof		
Current consumption <ul style="list-style-type: none"> <li>from the backplane bus</li> <li>from load voltage L+ (no load)</li> </ul>	Max. 160 mA max. 10 mA		
Power loss of the module	Typ. 3 W		
<b>Encoder inputs POS-INPUT 0 to 2</b>			
Position detection	Absolute		
Difference signals for SSI data and SSI clock	To RS422 standard		
Data transfer rate and cable (twisted-pair and shielded) length of absolute value encoders	<ul style="list-style-type: none"> <li>125 kHz max. 320 m</li> <li>250 kHz max. 160 m</li> <li>500 kHz max. 60 m</li> <li>1 MHz max. 20 m</li> </ul>		
SSI frame transfer rate <ul style="list-style-type: none"> <li>125 kHz</li> <li>250 kHz</li> <li>500 kHz</li> <li>1 MHz</li> </ul>	13 bits 112 µs 56 µs 28 µs 14 µs	21 bits 176 µs 88 µs 44 µs 22 µs	25 bits 208 µs 104 µs 52 µs 26 µs
Monoflop time <sup>2</sup>	16 µs, 32 µs, 48 µs, 64 µs		
<b>Digital inputs DI 0, DI 1</b>			
Electrical isolation	No, only to shield		
Input voltage	0 signal -3 V ... 5 V 1 signal 11 V ... 30.2 V		
Input current	0 signal ≤ 2 mA (standby current) 1 signal 9 mA (typ.)		
Input delay	0 > 1: max. 300 µs 1 > 0: Max. 300 µs		
Maximum repetition rate	1 kHz		
Connection of a two-wire BEROS, type 2	Supported		
Shielded cable length	600 m		
Unshielded cable length	32 m		
<b>Status, interrupts, diagnostics</b>			
Interrupts <ul style="list-style-type: none"> <li>Diagnostics interrupt</li> </ul>	programmable		

Technical data		
Status display for digital inputs Group error	LED (green) LED (red)	
Inaccuracy of the encoder value		
Free-running transducer capture (Standard Mode)		
<ul style="list-style-type: none"> <li>• maximum age <sup>1</sup></li> <li>• minimum age <sup>1</sup></li> <li>• Jitter</li> </ul>	(2 × frame transfer rate) + monoflop time + 580 μs Frame transfer rate + 130 μs Frame transfer rate + monoflop time + 450 μs	
Refresh rate	Frame evaluation at intervals of 450 μs	
Free-running transducer capture (Fast Mode)		
<ul style="list-style-type: none"> <li>• maximum age <sup>1</sup></li> <li>• minimum age <sup>1</sup></li> <li>• Jitter</li> </ul>	(2 × frame transfer rate) + monoflop time + 400 μs Frame transfer rate + 100 μs Frame transfer rate + monoflop time + 360 μs	
Refresh rate	Frame evaluation at intervals of 360 μs	
Isochronous encoder value acquisition		
<ul style="list-style-type: none"> <li>• Age</li> </ul>	Encoder value at time T <sub>i</sub> of the current PROFIBUS DP cycle	
Inaccuracy of the frozen encoder value (Freeze)		
Cyclic encoder value acquisition (Standard Mode)		
<ul style="list-style-type: none"> <li>• maximum age <sup>1</sup></li> <li>• minimum age <sup>1</sup></li> <li>• Jitter</li> </ul>	(2 × frame transfer rate) + monoflop time + 580 μs Frame transfer rate + 130 μs Frame transfer rate + monoflop time + 450 μs	
Isochronous encoder value acquisition		
<ul style="list-style-type: none"> <li>• Jitter</li> </ul>	Max. (frame transfer rate <sub>n</sub> + programmed Monoflop time <sub>n</sub> ) =0, 1, 2, (channel)	
Isochronous times for the module		
In Standard Mode	TCI TCO ToiMin TDPMIn	850 μs 620 μs 90 μs 1620 μs
In Fast Mode	TCI TCO ToiMin TDPMIn	700 μs 0 μs 0 μs 900 μs

<sup>1</sup> Age of the encoder values determined by the transfer process and the processing

<sup>2</sup> Restriction of the monoflop time of the absolute value encoder:  
 $(1 / \text{transmission rate}) < \text{monoflop of the absolute value encoder} < 64 \mu\text{s} + 2 \times (1 / \text{transmission rate})$

# Interface modules

## Interface modules

This chapter described the technical data and properties of the S7-300 interface modules.

## 8.1 Module overview

### Introduction

The table below summarizes the essential features of the interface modules described in this chapter. This overview supports you in selecting a module to suit your requirements.

Table 8-1 Interface modules: Overview of properties

Properties	Interface module IM 360	Interface module IM 361	Interface module IM 365
Suitable for installation in S7-300 racks	• 0	• 1 to 3	• 0 and 1
Data transfer	• from IM 360 to IM 361 via connecting cable 386	• from IM 360 to IM 361, or from IM 361 to IM 361, via connecting cable 386	• from IM 365 to IM 365 via connecting cable 386
Distance between...	• max. 10 m	• max. 10 m	• 1 m, permanently connected
Special features	---	---	<ul style="list-style-type: none"> <li>• Preassembled module pair</li> <li>• Rack 1 supports only signal modules</li> <li>• IM 365 does not route the communication bus to rack 1</li> </ul>

## 8.2 Interface module IM 360; (6ES7360-3AA01-0AA0)

### Order number

6ES7360-3AA01-0AA0

### Properties

Special features of interface module IM 360:

- Interface for rack 0 of the S7-300
- Data transfer from IM 360 to IM 361 via connecting cable 368
- Maximum distance between IM 360 and IM 361 is 10 m

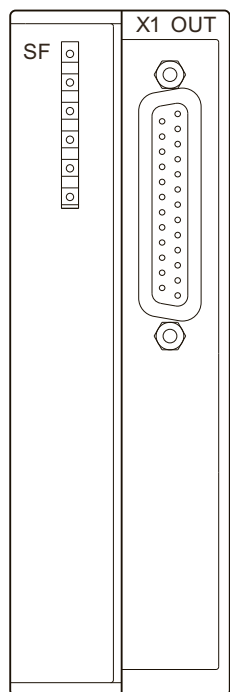
### Status and error LEDs

Interface module IM 360 is equipped with the following status and error LEDs.

Display element	Meaning	Explanations
SF	Group error	The LED lights up if <ul style="list-style-type: none"> <li>the connecting cable is missing.</li> <li>IM 361 is switched off.</li> </ul>

### Front view

The figure below shows the front view of interface module IM 360



### Technical data

The overview below shows the technical data of interface module IM 360.

Technical data	
<b>Dimensions and weight</b>	
Dimensions W x H x D (mm)	40 x 125 x 120
Weight	approx. 250 g
<b>Module-specific data</b>	
Cable length <ul style="list-style-type: none"> <li>Maximum length to next IM</li> </ul>	10 m
Current consumption <ul style="list-style-type: none"> <li>from the backplane bus</li> </ul>	350 mA
Power loss	typ. 2 W
Status and error LEDs	yes



## 8.3 Interface module IM 361; (6ES7361-3CA01-0AA0)

### Order number

6ES7361-3CA01-0AA0

### Properties

Special features of interface module IM 361:

- 24 VDC power supply
- Interface for racks 1 to 3 of the S7-300
- Current output via the S7-300 backplane bus: max. 0.8 A
- Data transfer from IM 360 to IM 361, or from IM 361 to IM 361 via connecting cable 368
- Maximum distance between IM 360 and IM 361 is 10 m
- Maximum distance between IM 361 and IM 361 is 10 m

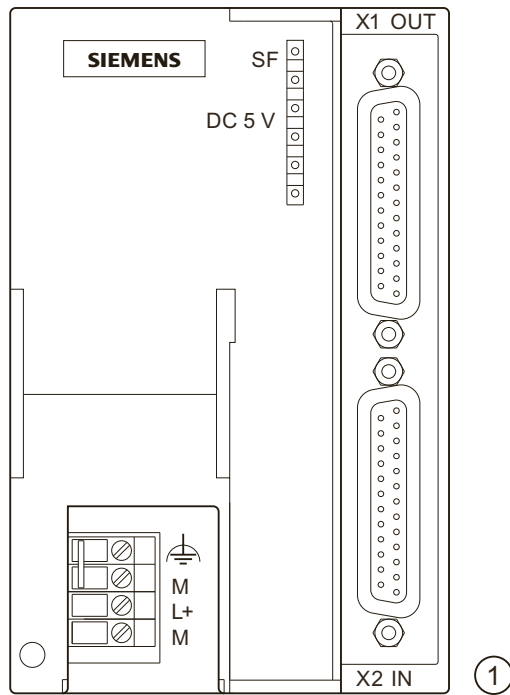
### Status and error LEDs

Interface module IM 361 is equipped with the following status and error LEDs.

Display element	Meaning	Explanations
SF	Group error	The LED lights up if <ul style="list-style-type: none"> <li>• the connecting cable is missing</li> <li>• the IM 361 connected in series is switched off</li> <li>• the CPU is in POWER OFF state</li> </ul>
5 VDC	5 VDC supply for the S7-300 backplane bus	-

**Front view**

The figure below shows the front view of interface module IM 361



① Front view

**Technical data**

The overview below shows the technical data of interface module IM 361.

Technical data	
<b>Dimensions and weight</b>	
Dimensions W x H x D (mm)	80 x 125 x 120
Weight	505 g
<b>Module-specific data</b>	
Cable length Maximum length to next IM	10 m
Current consumption from 24 VDC Power loss	0.5 A typ. 5 W
Current sinking at backplane bus	0.8 A
Status and error LEDs	yes

**See also**

[Spare parts and accessories for S7-300 modules \(Page 513\)](#)

## 8.4 Interface module IM 365; (6ES7365-0BA01-0AA0)

Order number: "Standard module"

6ES7365-0BA01-0AA0

Order number: "SIPLUS S7-300 module"

6AG1365-0BA01-2AA0

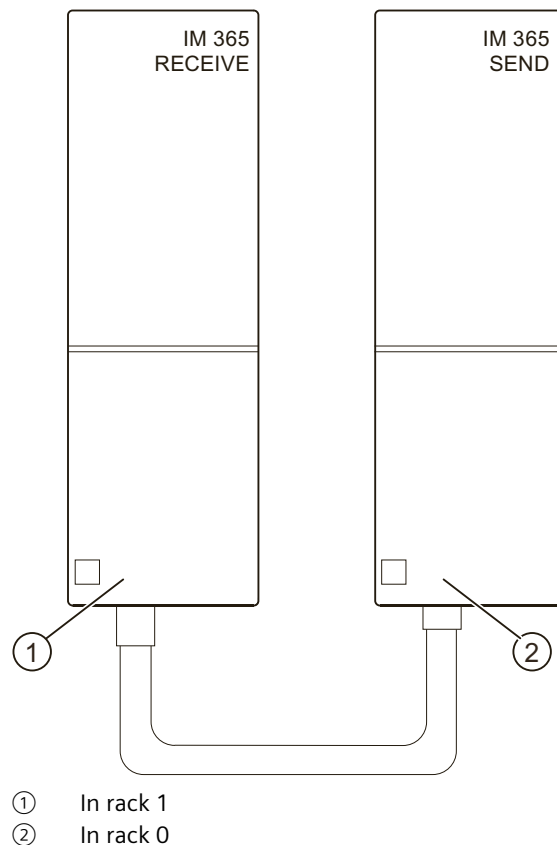
### Properties

Special features of interface module IM 365:

- Preassembled pair of modules for rack 0 and rack 1
- Total power supply of 1.2 A, of which up to 0.8 A may be used per rack.
- Connecting cable with a length of 1 m already permanently connected
- IM 365 does **not** route the communication bus to rack 1, i.e. you cannot install FMs with communication bus function in rack 1.

### Front view

The figure below shows the front view of interface module IM 365



**Technical specifications**

The overview below shows the technical data of interface module IM 365.

<b>Technical data</b>	
<b>Dimensions and weight</b>	
Dimensions W x H x D (mm) per module	40 x 125 x 120
Total weight	580 g
<b>Module-specific data</b>	
Cable length Maximum length to next IM	1 m
Current consumption from the backplane bus Power loss	100 mA typ. 0.5 W
Current sinking per module	max. 1.2 A 0.8 A
Status and error LEDs	no

# Parameter sets of signal modules

## A.1 Principles of programming signal modules in the user program

### Parameter assignment in the user program

You have programmed the modules in *STEP 7*.

In the user program, you can use a SFC:

- to assign new parameters to the module, and
- transfer the parameters from the CPU to the addressed signal module

### Parameters are stored in data records

The signal module parameters are written to data records 0 and 1; for certain analog input modules, these are also written to data record 128.

### Editable parameters

You can edit the parameters of data record 1, and then transfer these to the signal module using SFC55. The CPU parameters are not changed by this action!

You cannot modify any parameters of data record 0 in the user program.

### SFCs for programming

SFCs available for programming signal modules in the user program:

Table A-1 SFCs for programming signal modules

SFC no.	Identifier	Application
55	WR_PARM	Transfer the programmable parameters (data record 1 and 28) to the addressed signal module.
56	WR_DPARAM	Transfer the parameters (data record 0, 1 <b>or</b> 128) from the CPU to the addressed signal module.
57	PARAM_MOD	Transfer all parameters (data record 0, 1 <b>and</b> 128) from the CPU to the addressed signal module.

### Description of the parameters

The next chapters describe all modifiable parameters of the various module classes. For information on signal module parameters, refer to:

- the *STEP 7* Online Help
- to this Reference Manual

The chapters dealing with the various signal modules also show you the corresponding configurable parameters.

**Further references**

For detailed information on programming signal modules in the user program and on corresponding SFCs, refer to the *STEP 7* manuals.

**A.2 Parameters of digital IO modules**

**Parameter**

The table below lists the parameters you can set for digital input modules.

**NOTE**

For details on parameters of programmable digital IO modules, see the chapter dealing with the relevant module.

The comparison illustrates the parameters you can edit:

- in *STEP 7*
- using SFC55 "WR\_PARM"
- using SFB53 "WRREC" (for GSD, for example).

Parameters set in *STEP 7* may also be transferred to the module using SFCs 56 and 57, and SFB53 (refer to the *STEP 7* Online Help).

Table A-2 Parameters of digital IO modules

Parameters	Data record num-	Programmable, using ...	
<b>SFB53... SFC55,</b>	<b>... PG</b>		
Input delay	0	no	yes
Diagnostics of missing encoder supply		no	yes
Wire-break diagnostics		no	yes
Hardware interrupt enable	1	yes	yes
Diagnostics interrupt enable		yes	yes
Hardware interrupt at positive edge		yes	yes
Hardware interrupt at negative edge		yes	yes

**NOTE**

To enable diagnostics interrupts in the user program at data record 1, you first need to enable diagnostics at data record 0 in *STEP 7*.

**Structure of data record 1**

The figure below shows the structure of data record 1 for the parameters of digital input modules.

You enable a parameter by setting a logical "1" at the corresponding bit.

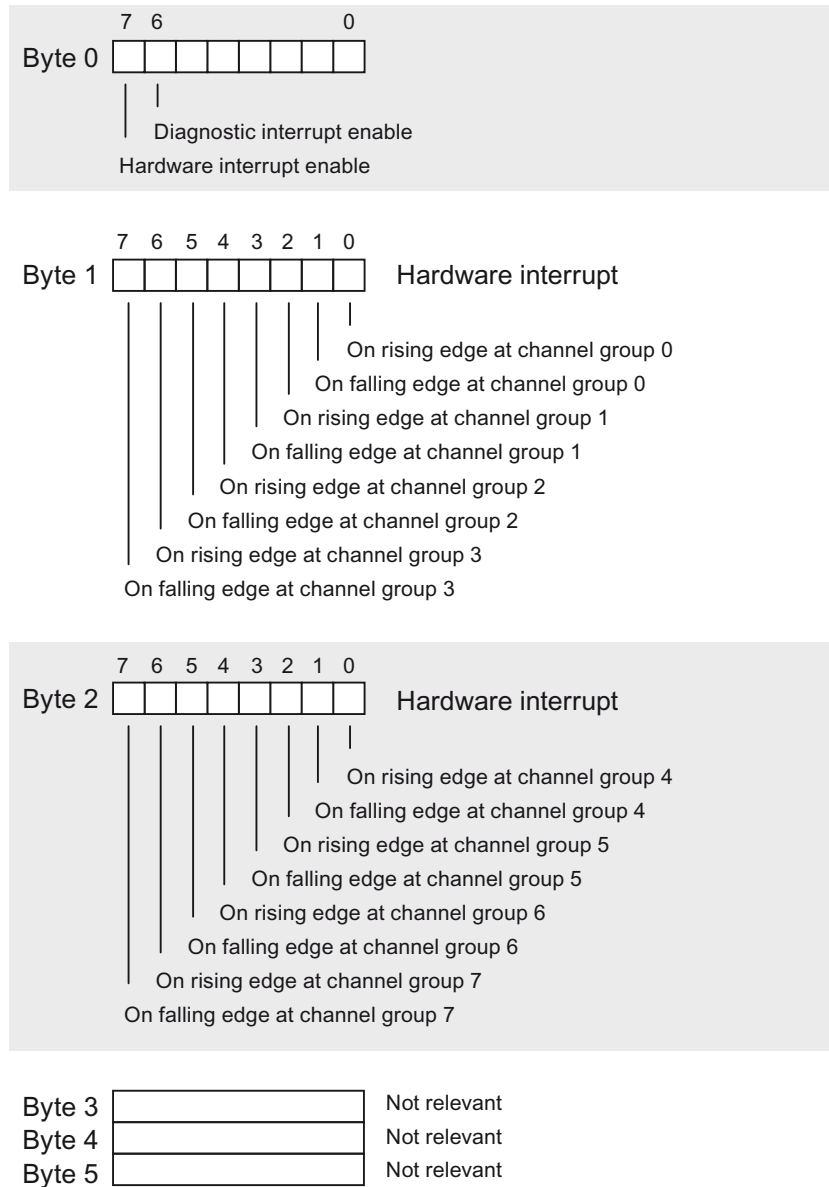


Figure A-1 Data record 1 for parameters of digital input modules

**See also**

[Diagnostics of digital modules \(Page 53\)](#)

## A.3 Parameters of the digital input module SM 321; DI 16 x DC 24/125 V

### Parameters

The table below lists the parameters you can set for digital input modules.

#### NOTE

For details on parameters of programmable digital IO modules, see the chapter dealing with the relevant module.

The comparison illustrates the parameters you can edit:

- in *STEP 7*
- using SFC55 "WR\_PARM"
- using SFB53 "WRREC" (for GSD, for example).

Parameters set in *STEP 7* may also be transferred to the module using SFCs 56 and 57, and SFB53 (refer to the *STEP 7* Online Help).

Table A-3 Parameters of the digital input module SM 321; DI 16 x DC 24/125 V

Parameters	Data record num-	Programmable, using ...	
<b>SFB53... SFC55,</b>	<b>... PG</b>		
Input delay	0	No	Yes
Wire-break diagnostics		No	Yes
Hardware interrupt enable	1	<b>Yes</b>	Yes
Diagnostic interrupt enable		<b>Yes</b>	Yes
Hardware interrupt at positive edge		<b>Yes</b>	Yes
Hardware interrupt at negative edge		<b>Yes</b>	Yes

#### NOTE

To enable diagnostic interrupts in the user program at data record 1, you first need to enable diagnostics at data record 0 in *STEP 7*.

### Structure of data record 1

The figure below shows the structure of data record 1 for the parameters of digital input modules.



You enable a parameter by setting a logical "1" at the corresponding bit.

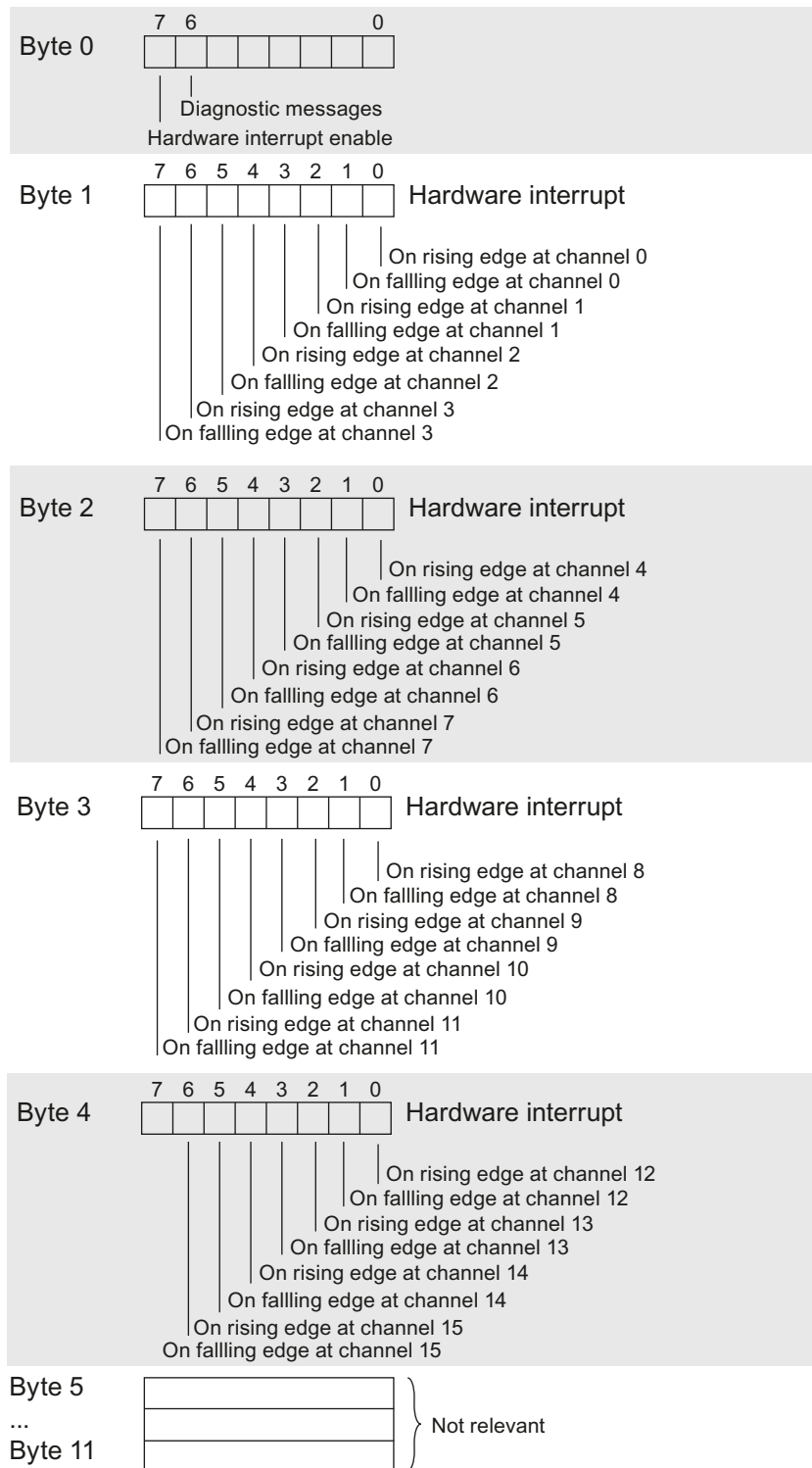


Figure A-2 Data record 1 for parameters of digital input modules

## A.4 Parameters of digital output modules

### Parameter

The table below contains all parameters you can set for digital output modules.

---

#### NOTE

For details on the parameters of programmable digital IO modules, see the chapter dealing with the relevant module.

---

The comparison illustrates the parameters you can edit:

- in *STEP 7*
- using SFC55 "WR\_PARM"
- using SFB53 "WRREC" (for GSD, for example).

Parameters set in *STEP 7* may also be transferred to the module using SFCs 56 and 57, and SFB 53 (refer to the *STEP 7*) Online Help).

Table A-4 Parameters of digital output modules

Parameter	Data record num- ... PG	Programmable, using ...	
<b>SFB53... SFC55,</b>			
Diagnostics of missing load voltage L+	0	no	yes
Wire-break diagnostics		No	Yes
Diagnostics of short-circuit to M		No	Yes
Diagnosis of short-circuit to L+		No	Yes
Diagnostics interrupt enable	1	<b>Yes</b>	Yes
Reaction to CPU STOP		<b>Yes</b>	Yes
Set substitute value "1"		<b>Yes</b>	Yes

---

#### NOTE

To enable diagnostic interrupts in the user program at data record 1, you first need to enable diagnostics at data record 0 in *STEP 7*.

---

### Structure of data record 1

The figure below shows the structure of data record 1 for the parameters of digital output modules.

You enable a parameter by setting a logic "1" at the corresponding bit of byte 0.

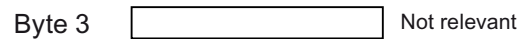
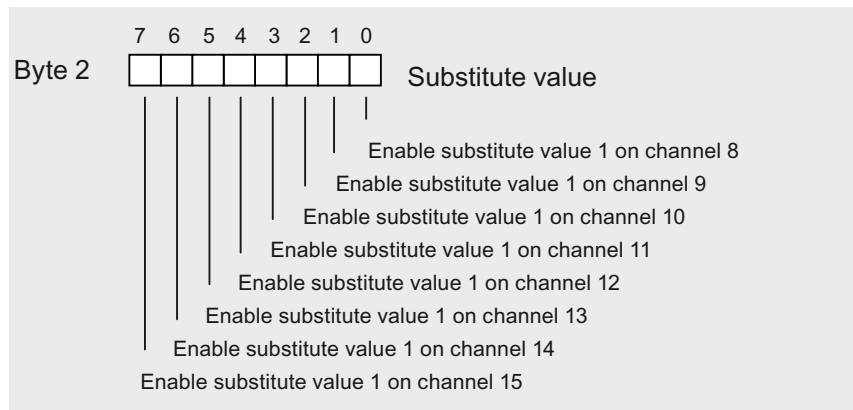
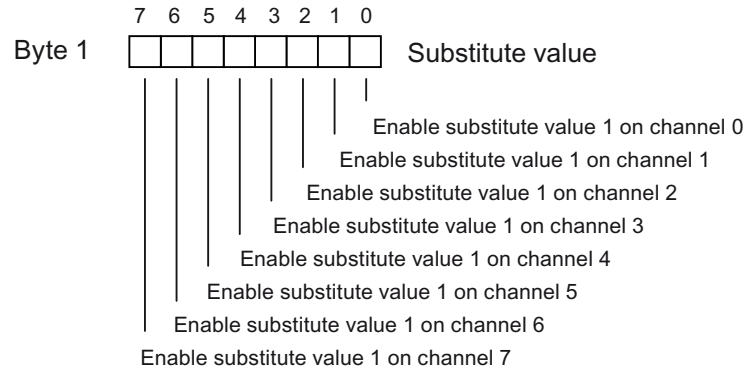
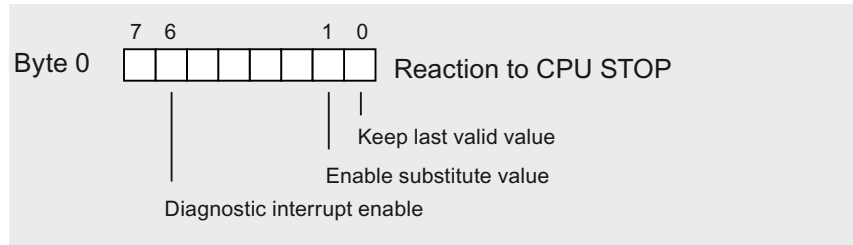


Figure A-3 Data record 1 for parameters of digital output modules

**NOTE**

The "hold last valid value" and "set substitute value" parameters should only be enabled at byte 0 as an alternative.

## A.5 Settings from the digital output module SM 322; DO 16 x DC 24 V/0.5 A (6ES7322-8BH10-0AB0)

### Parameter

The table below contains all parameters you can set for digital output modules. The comparison illustrates the parameters you can edit:

- in *STEP 7*
- using SFC55 "WR\_PARM"
- using SFB53 "WRREC" (for GSD, for example).

Parameters set in *STEP 7* can also be transferred to the module using SFC 56 and SFC 57 (refer to the *STEP 7* Online Help).

Table A-5 Digital output module SM 322; 6ES7322-8HB10-0AB0

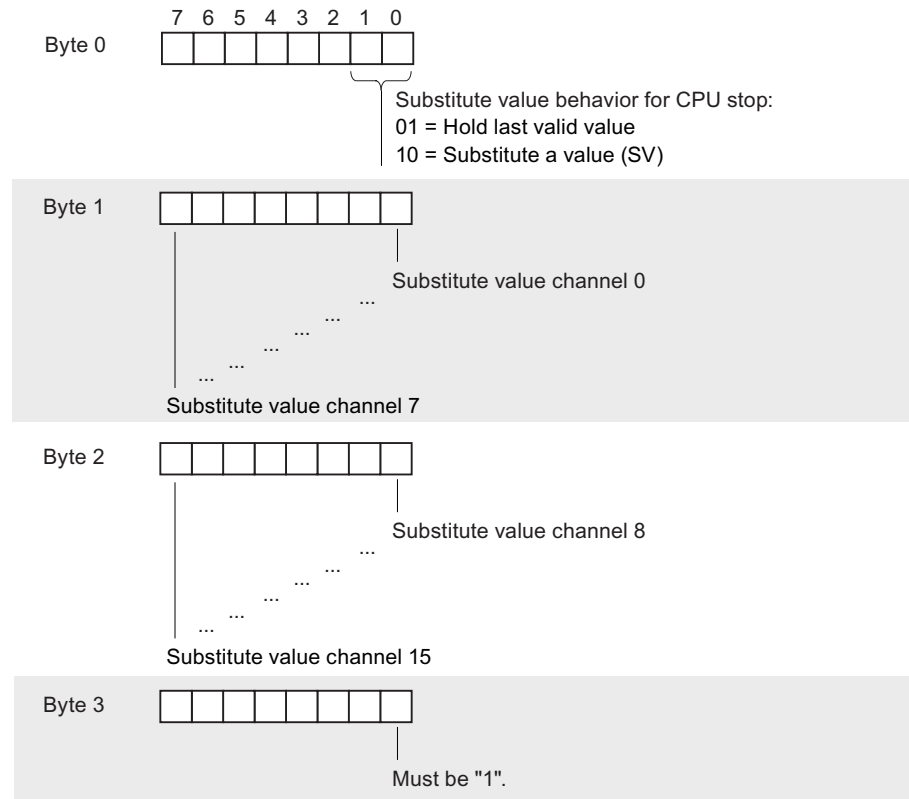
Parameter	Data record num-	Programmable, using ...	
SFB53... SFC55,	... PG		
Diagnostics: Group diagnostics	1	Yes	Yes
Diagnostics: Load voltage L+ missing			
Diagnostics: Discrepancy error			
Diagnostics interrupt enable			
Behavior at CPU/master STOP			
Substitute a value			

### Structure of data record 1

The figure below shows the structure of data record 1 for the parameters of digital output modules.

A.5 Settings from the digital output module SM 322; DO 16 x DC 24 V/0.5 A (6ES7322-8BH10-0AB0)

You enable a parameter by setting a logic "1" at the corresponding bit of byte 0.



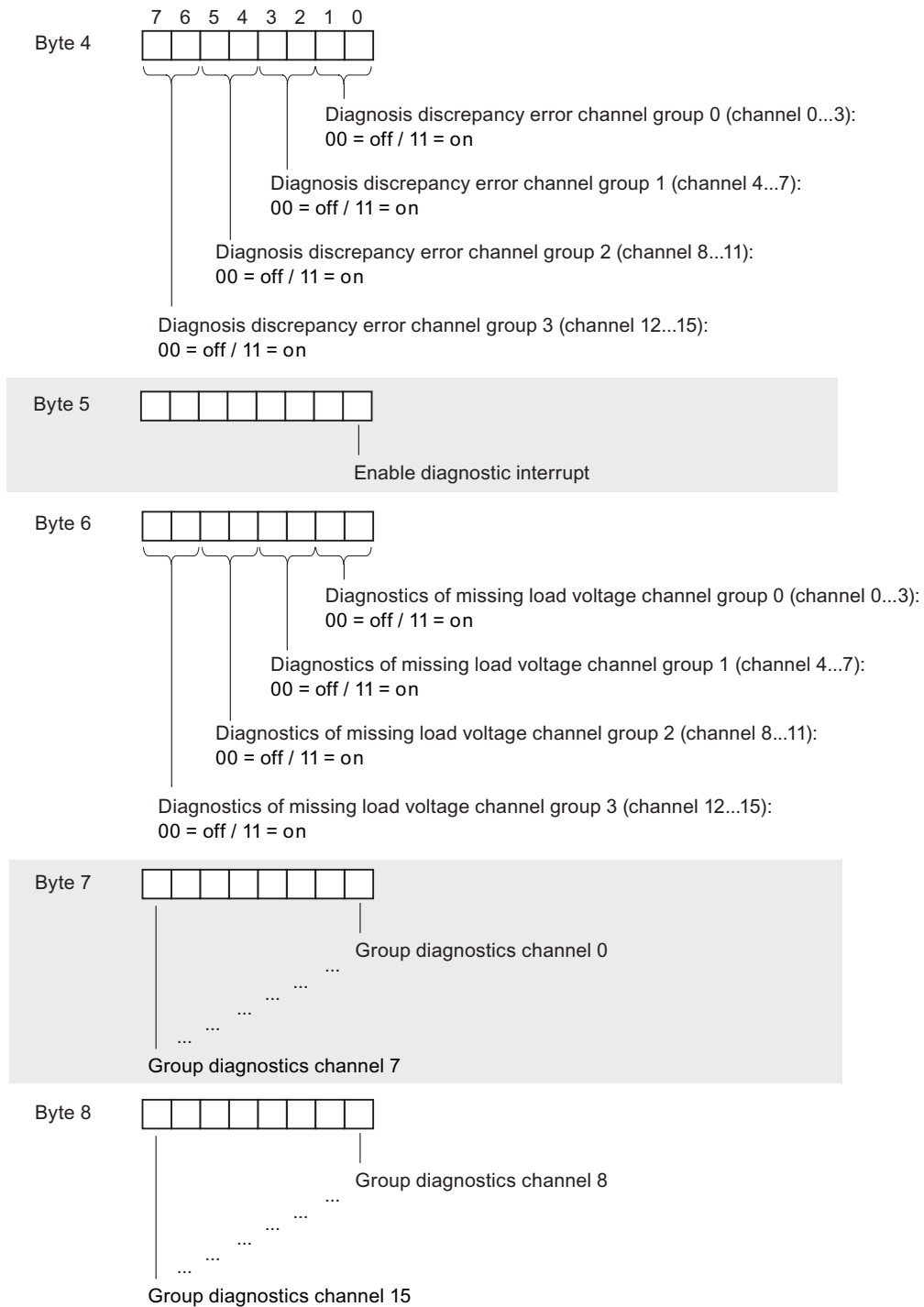


Figure A-4 Structure of data record 1

**NOTE**

The "hold last valid value" and "set substitute value" parameters should only be enabled at byte 0 as an alternative.

**See also**

[Parameters of digital output modules \(Page 133\)](#)

## A.6 Parameters of analog input modules

**Parameter**

The table below lists all parameters you can set for analog input modules. The comparison illustrates the parameters you can edit:

- in *STEP 7*
- using SFC55 "WR\_PARM"

Parameters set in *STEP 7* can also be transferred to the module using SFC56 and SFC57 (refer to the *STEP 7* manuals).

Table A-6 Parameters of analog input modules

Parameters	Data record num-	Programmable, using ...	
... SFC55	... PG		
Diagnostics: Group diagnostics	0	No	Yes
Diagnostics: with wirebreak monitoring		no	yes
Temperature unit		no	yes
Temperature coefficient		no	yes
Smoothing		no	yes
Diagnostic interrupt enable	1	yes	yes
Hardware interrupt when limit exceeded		yes	yes
End of cycle interrupt enable		yes	yes
Interference frequency suppression		yes	yes
Measurement type		yes	yes
Measuring range		yes	yes
High limit		yes	yes
Low limit		yes	yes

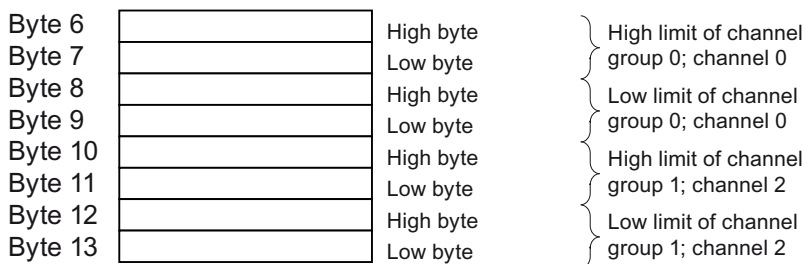
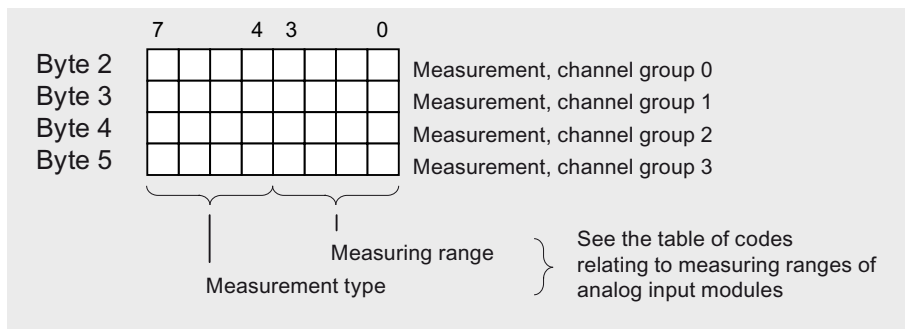
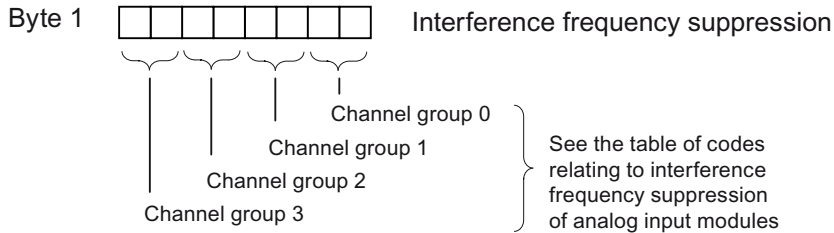
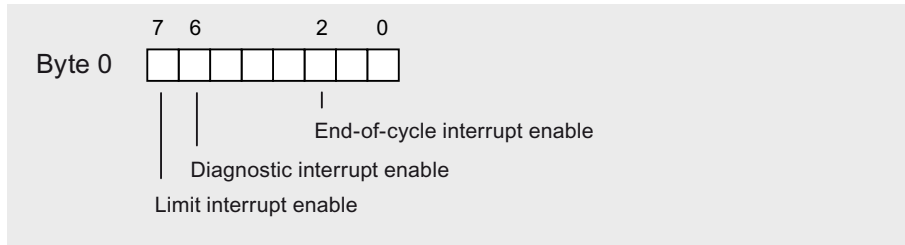
**NOTE**

To enable diagnostic interrupts in the user program at data record 1, you first need to enable diagnostics at data record 0 in *STEP 7*.

### Structure of data record 1

The figure below shows the structure of data record 1 of the parameters for an analog input module with 8 channels in 4 groups (e.g. AI 8 x 12 bits). The structure of a module whose channels are not grouped together is documented in the relevant module description.

You enable a parameter by setting a logic "1" at the corresponding bit of byte 0.



Note: Just one limit value is set for the first channel of each channel group.

Figure A-5 Data record 1 for the parameters of analog input modules

**NOTE**

The representation of limits matches the analog value representation (see chapter 4.) Observe range limits when setting the limit values.



### Interference frequency suppression

The table below contains the coding at byte 1 of data record 1 for the various frequencies (see the previous figure.) Make allowances for the resultant integration time at each channel!

Table A-7 Interference frequency suppression codes of analog input modules

Interference frequency suppression	Integration time	Code
400 Hz	2.5 ms	2#00
60 Hz	16.7 ms	2#01
50 Hz	20 ms	2#10
10 Hz	100 ms	2#11

### Measurement types and measuring ranges

The table below shows all measurement types and measuring ranges of the analog input module, including their codes. Enter these codes at bytes 2 to 5 in data record 1 (refer to the previous figure.)

**NOTE**

You may have to reposition a measuring range module of the analog input module to suit the measuring range.

Table A-8 Measuring range codes of analog input modules

Measurement type	Code	Measuring range	Code
disabled	2#0000	disabled	2#0000
Voltage	2#0001	± 80 mV	2#0001
		± 250 mV	2#0010
		± 500 mV	2#0011
		± 1 V	2#0100
		± 2.5 V	2#0101
		± 5 V	2#0110
		1 V to 5 V	2#0111
		0 V to 10 V	2#1000
		± 10 V	2#1001
		± 25 mV	2#1010
± 50 mV	2#1011		
4-wire transducer	2#0010	±3.2 mA	2#0000
		±10 mA	2#0001
		0 to 20 mA	2#0010
		4 to 20 mA	2#0011
		±20 mA	2#0100
		±5 mA	2#0101
2-wire transducer	2#0011	4 to 20 mA	2#0011
Resistance (4-wire connection)	2#0100	150 Ω	2#0010
		300 Ω	2#0100
		600 Ω	2#0110
		10 k Ω	2#1001
Resistance 4-wire connection; 100 Ω compensation	2#0110	52 Ω to 148 Ω	2#0001
		250 Ω	2#0011
		400 Ω	2#0101
		700 Ω	2#0111

A.7 Parameters of analog input module SM 331; AI 8 x RTD

Measurement type	Code	Measuring range	Code
Thermal resistance + linearization 4-wire connection	2#1000	Pt 100 Klima Ni 100 Klima Pt 100 Standard range Pt 200 Standard range Pt 500 Standard range Pt 1000 Standard range Ni 1000 standard range Pt 200 Klima Pt 500 Klima Pt 1000 Klima Ni 1000 Klima Ni 100 standard range	2#0000 2#0001 2#0010 2#0011 2#0100 2#0101 2#0110 2#0111 2#1000 2#1001 2#1001 2#1011
Thermocouples with internal comparator	2#1010	Type B [PtRh - PtRh] Type N [NiCrSi-NiSi]	2#0000 2#0001
Thermocouples with external comparison	2#1011	Type E [NiCr-CuNi] Type R [PtRh -Pt] Type S [PtRh -Pt]	2#0010 2#0011 2#0100
Thermocouples + linearization internal comparison	2#1101	Type J [Fe - CuNi IEC] Type L [Fe-CuNi]	2#0101 2#0110
Thermocouples + linearization external comparison	2#1110	Type T [Cu - CuNi] Type K [NiCr-Ni] Type U [Cu -Cu Ni]	2#0111 2#1000 2#1001

See also

[Analog modules \(Page 250\)](#)

## A.7 Parameters of analog input module SM 331; AI 8 x RTD

### Parameters

The table below shows all parameters you can set at analog input module SM 331; AI 8 x RTD. The comparison illustrates the parameters you can edit:

- in *STEP 7*
- using SFC55 "WR\_PARM"

Parameters set in *STEP 7* can also be transferred to the module using SFC56 and SFC57 (refer to the *STEP 7* manuals).

Table A-9 Parameters of SM 331; AI 8 x RTD

Parameters	Data record num-	Programmable, using ...	
... SFC55	... PG		
Diagnostics: Group diagnostics	0	no	yes
Diagnostics: with wirebreak monitoring		no	yes
Diagnostic interrupt enable	1	yes	yes
Hardware interrupt when limit exceeded		yes	yes
End of cycle interrupt enable		yes	yes
Temperature unit		yes	yes

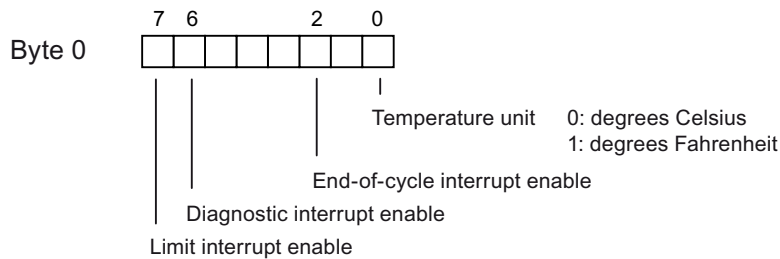
Parameters	ber	Programmable, using ...	
Measurement type	128	yes	yes
Measuring range		yes	yes
Operating mode		yes	yes
Temperature coefficient		yes	yes
Interference frequency suppression		yes	yes
Smoothing		yes	yes
High limit		yes	yes
Low limit		yes	yes

**NOTE**

To enable diagnostic interrupts in the user program at data record 1, you first need to enable diagnostics at data record 0 in *STEP 7*.

**Structure of data record 1**

The diagram below shows the structure of data record 1 of SM 331; AI 8 x RTD. You enable a parameter by setting a logical "1" at the corresponding bit.



Bytes 1 to 13 are not occupied

Figure A-6 Data record 1 for the parameters of SM 331; AI 8 RTD

**Structure of data record 128**

The diagram below shows the structure of data record 128 of SM 331; AI 8 x RTD.

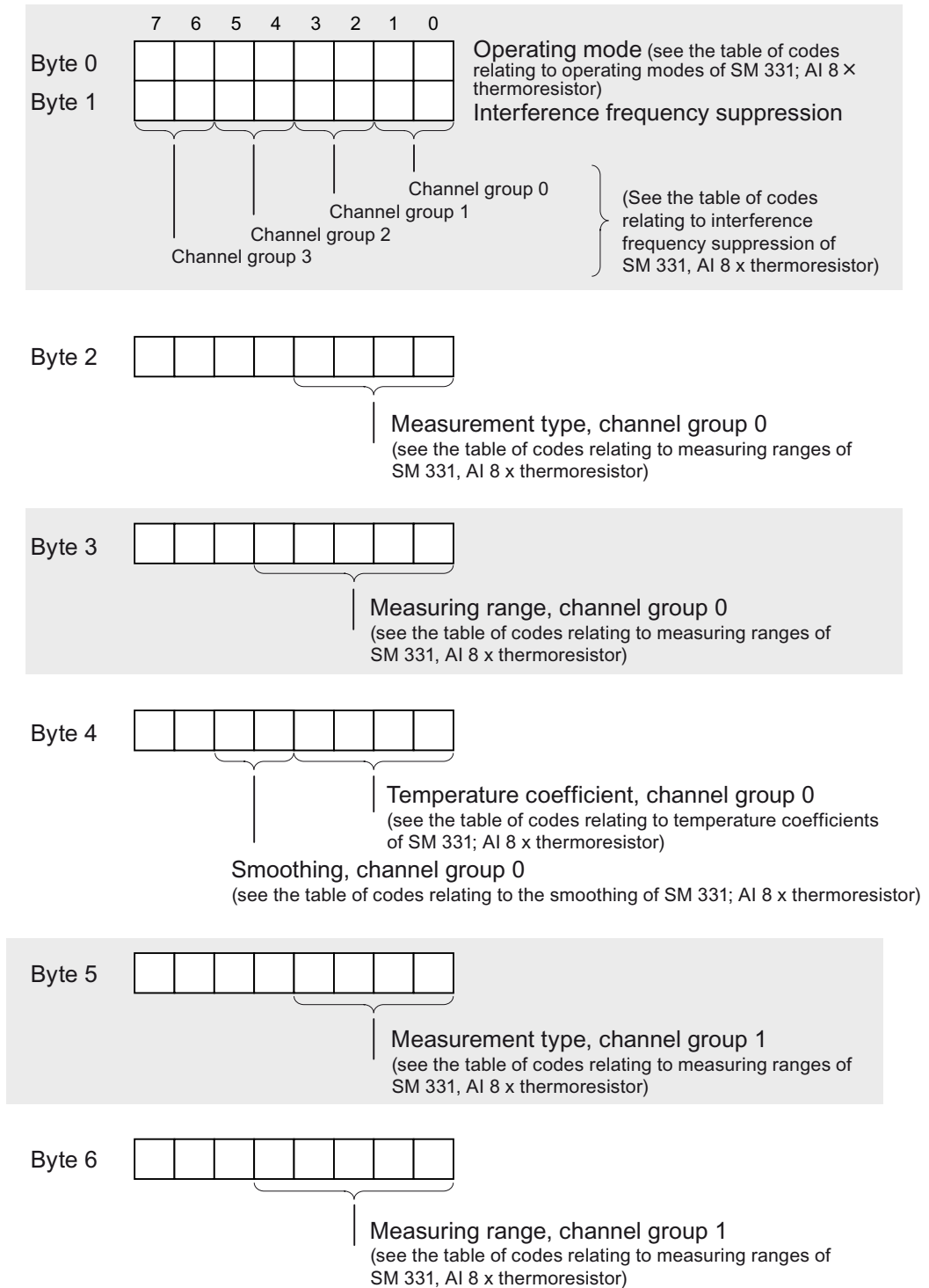


Figure A-7 Data record 128 of SM 331; AI 8 x RTD

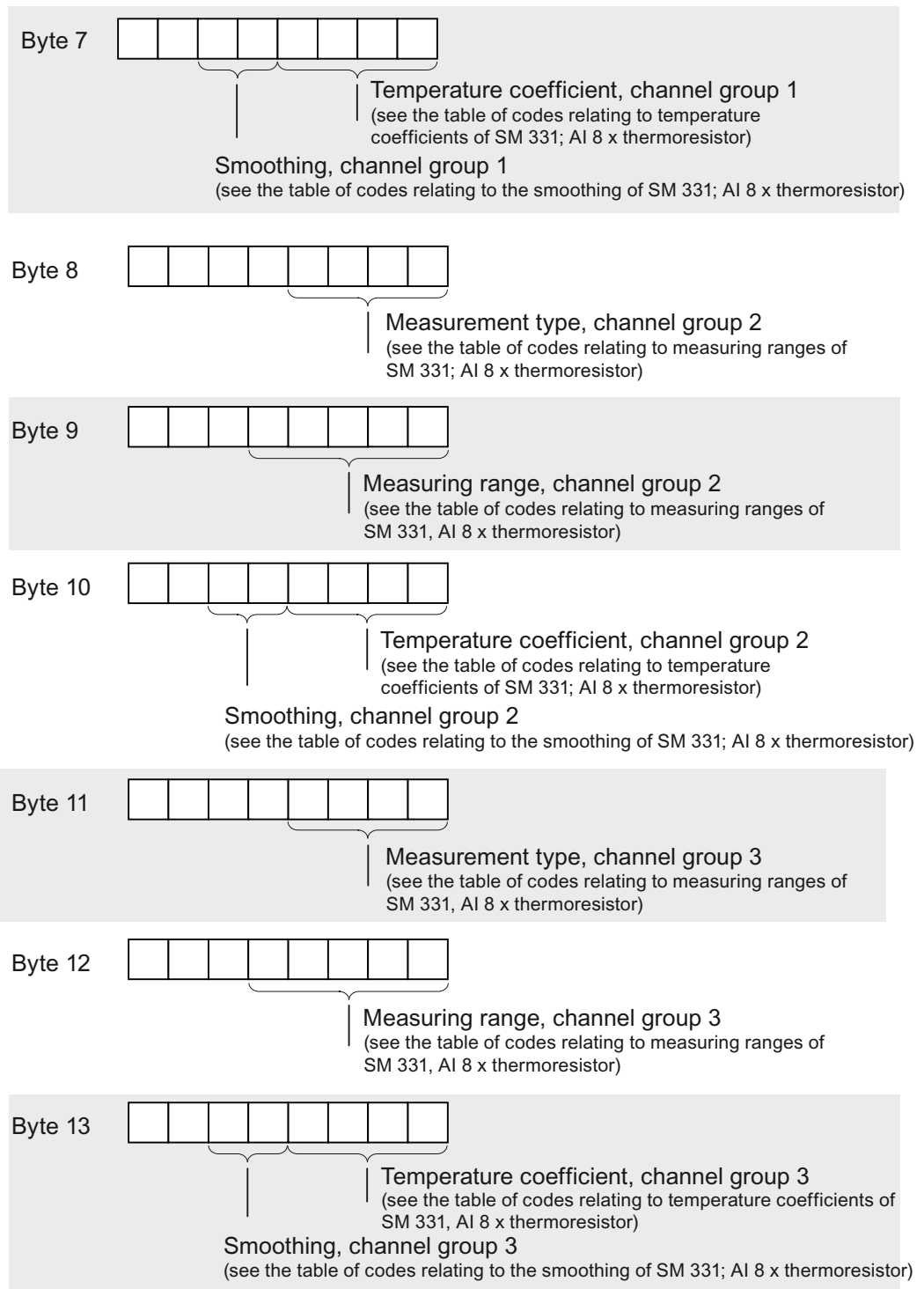


Figure A-8 Data record 128 of SM 331; AI 8 x RTD (continued)

A.7 Parameters of analog input module SM 331; AI 8 x RTD

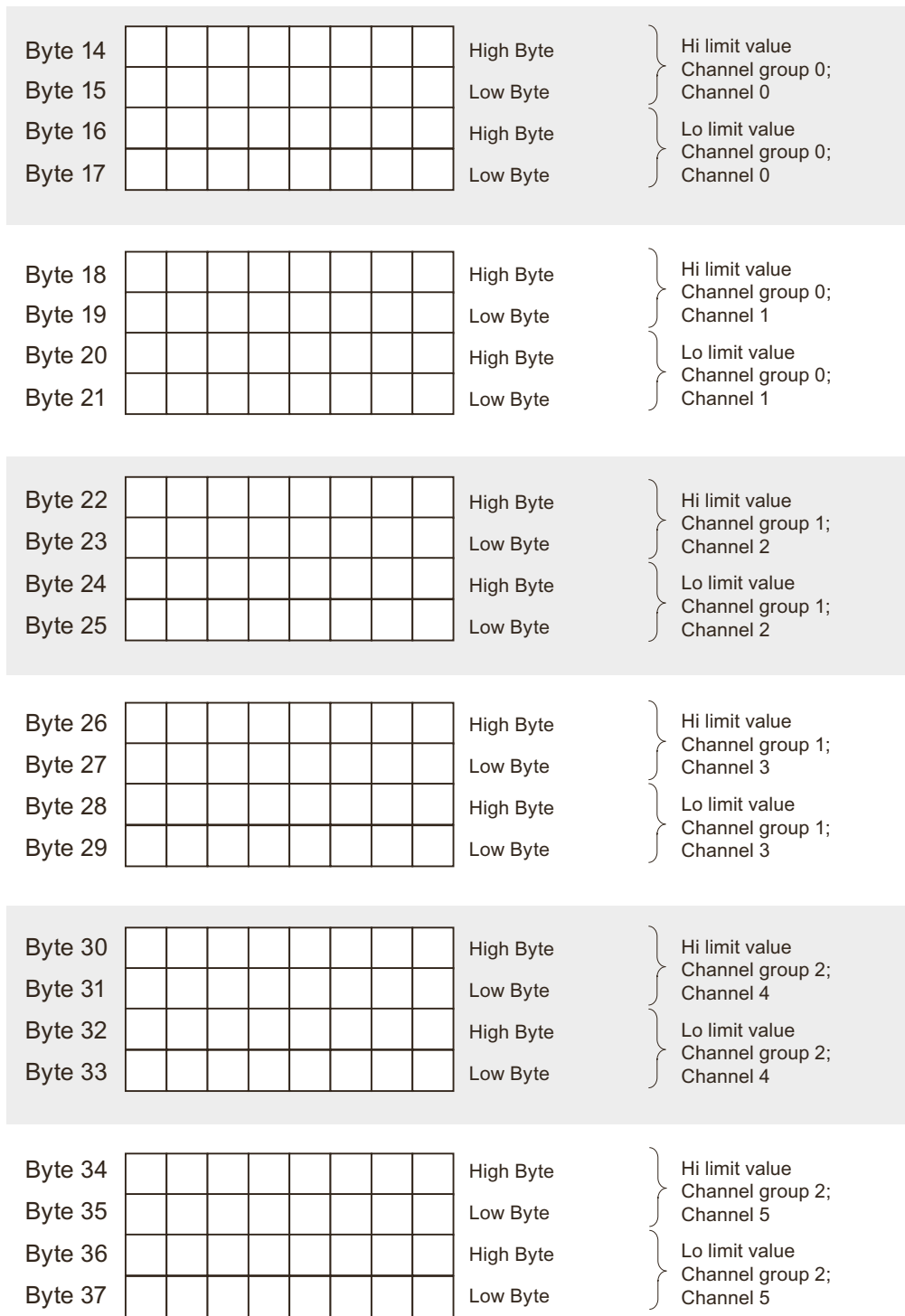


Figure A-9 Data record 128 of SM 331; AI 8 x RTD (continued)

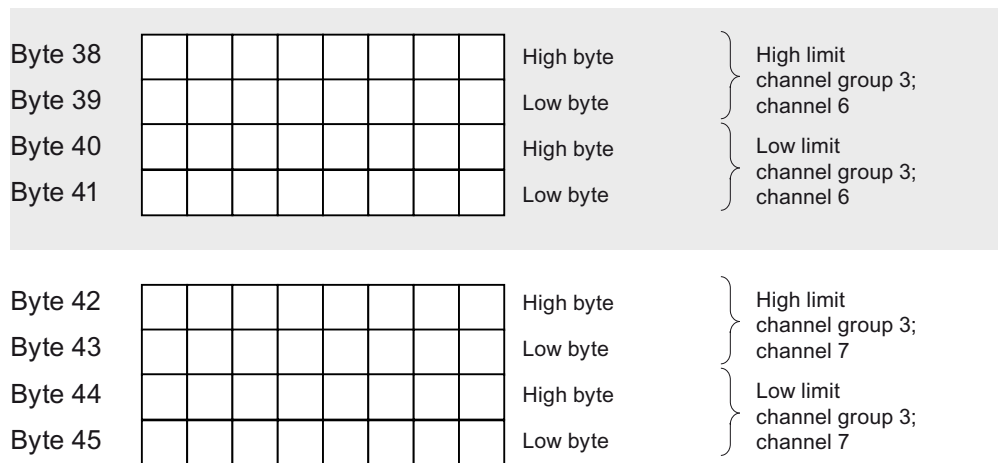


Figure A-10 Data record 128 of SM 331; AI 8 x RTD (continued)

**NOTE**

The representation of limits matches the analog value representation. Observe range limits when setting the limit values.

**Modes of operation of SM 331; AI 8 x RTD**

The table below contains the coding at byte 0 of data record 128 for the various modes of operation (see the previous figure.)

Table A-10 Operating mode coding of SM 331; AI 8 x RTD

Operating mode	Code
8 channels, hardware filter	2#00000000
8 channels, software filter	2#00000001
4 channels, hardware filter	2#00000010

**Interference frequency suppression at SM 331; AI 8 x RTD**

The table below contains the frequency codes to be entered at byte 1 of data record 128 (see the previous figure.) The 50 Hz, 60 Hz and 400 Hz only apply to 8channel software filter mode. The 50 Hz, 60 Hz and 400 Hz settings only apply to 4- and 8-channel hardware filter mode.

Table A-11 Interference suppression coding of SM 331; AI 8 x RTD

Interference frequency suppression	Code
400 Hz	2#00
60 Hz	2#01
50 Hz	2#10
50/60/400 Hz	2#11

**Measurement types and measuring ranges of SM 331; AI 8 x RTD**

The table below shows all measurement types and measuring ranges of the module, including their codes. Enter these codes at the corresponding bytes of data record 128 (see the figure *Data record 1 for the parameters of analog input modules*).

Table A-12 Measuring range codes of SM 331; AI 8 x RTD

Measurement type	Code	Measuring range	Code
disabled	2#0000	disabled	2#0000
Resistance (4-wire connection)	2#0100	150 Ω 300 Ω 600 Ω	2#0010 2#0100 2#0110
Resistance (3-wire connection)	2#0101	150 Ω 300 Ω 600 Ω	2#0010 2#0100 2#0110
Thermal resistance + linearization 4-wire connection	2#1000	Pt 100 Climatic Ni 100 Climatic Pt 100 Standard Ni 100 Standard Pt 500 Standard Pt 1000 Standard Ni 1000 Standard Pt 200 Climatic Pt 500 Climatic Pt 1000 Climatic Ni 1000 Climatic Pt 200 Standard Ni 120 Standard Ni 120 Climatic Cu 10 Climatic Cu 10 Standard Ni 200 Standard Ni 200 Climatic Ni 500 Standard Ni 500 Climatic Pt 10 GOST Climatic Pt 10 GOST Standard Pt 50 GOST Climatic Pt 50 GOST Climatic Pt 100 GOST Climatic Pt 100 GOST Standard Pt 500 GOST Climatic Pt 500 GOST Standard Cu 10 GOST Climatic Cu 10 GOST Standard Cu 50 GOST Climatic Cu 50 GOST Standard Cu 100 GOST Climatic Cu 100 GOST Standard Ni 100 GOST Climatic Ni 100 GOST Standard	2#00000000 2#00000001 2#00000010 2#00000011 2#00000100 2#00000101 2#00000110 2#00000111 2#00001000 2#00001001 2#00001010 2#00001011 2#00001100 2#00001101 2#00001110 2#00001111 2#00010000 2#00010001 2#00010010 2#00010011 2#00010100 2#00010101 2#00010110 2#00010111 2#00011000 2#00011001 2#00011010 2#00011011 2#00011100 2#00011101 2#00011110 2#00011111 2#00100000 2#00100001 2#00100010 2#00100011



Measurement type	Code	Measuring range	Code
Thermal resistance + linearization 3-wire connection	2#1001	Pt 100 climatic	2#00000000
		Ni 100 climatic	2#00000001
		Pt 100 standard	2#00000010
		Ni 100 standard	2#00000011
		Pt 500 standard	2#00000100
		Pt 1000 standard	2#00000101
		Ni 1000 standard	2#00000110
		Pt 200 climatic	2#00000111
		Pt 500 climatic	2#00001000
		Pt 1000 climatic	2#00001001
		Ni 1000 climatic	2#00001010
		Pt 200 standard	2#00001011
		Ni 120 standard	2#00001100
		Ni 120 climatic	2#00001101
		Cu 10 climatic	2#00001110
		Cu 10 standard	2#00001111
		Ni 200 standard	2#00010000
		Ni 200 climatic	2#00010001
		Ni 500 standard	2#00010010
		Ni 500 climatic	2#00010011
		Pt 10 GOST climatic	2#00010100
		Pt 10 GOST standard	2#00010101
		Pt 50 GOST climatic	2#00010110
		Pt 50 GOST standard	2#00010111
		Pt 100 GOST climatic	2#00011000
		Pt 100 GOST standard	2#00011001
		Pt 500 GOST climatic	2#00011010
		Pt 500 GOST standard	2#00011011
		Cu 10 GOST climatic	2#00011100
		Cu 10 GOST standard	2#00011101
		Cu 50 GOST climatic	2#00011110
		Cu 50 GOST standard	2#00011111
		Cu 100 GOST climatic	2#00100000
		Cu 100 GOST standard	2#00100001
Ni 100 GOST climatic	2#00100010		
Ni 100 GOST standard	2#00100011		

### Temperature coefficient of SM 331; AI 8 x RTD

The table below contains the temperature coefficient codes to be entered at the corresponding byte of data record 128 (refer to the previous figure.)

Table A-13 Temperature coefficient codes of SM 331; AI 8 x RTD

Temperature coefficient	Code
Pt 0.003850 $\Omega/\Omega/^\circ\text{C}$ (IPTS-68)	2#0000
Pt 0,003916 $\Omega/\Omega/^\circ\text{C}$	2#0001
Pt 0.003902 $\Omega/\Omega/^\circ\text{C}$	2#0010
Pt 0.003920 $\Omega/\Omega/^\circ\text{C}$	2#0011
Pt 0.003850 $\Omega/\Omega/^\circ\text{C}$ (ITS-90)	2#0100
Pt 0.003910 $\Omega/\Omega/^\circ\text{C}$	2#0101
Pt 0.006170 $\Omega/\Omega/^\circ\text{C}$	2#0111
Ni 0.006180 $\Omega/\Omega/^\circ\text{C}$	2#1000

Temperature coefficient	Code
Ni 0.006720 Ω/Ω/°C	2#1001
0.005000 Ω/Ω/°C (LG Ni 1000)	2#1010
Cu 0.004260 Ω/Ω/°C	2#1011
Cu 0.004270 Ω/Ω/°C	2#1100
Cu 0.004280 Ω/Ω/°C	2#1101

### Smoothing function at SM 331; AI 8 x RTD

The table below lists all smoothing codes to be entered at the corresponding byte of data record 128 (refer to the previous figure.)

Table A-14 Smoothing codes at SM 331; AI 8 x RTD

Smoothing	Code
None	2#00
Low	2#01
Average	2#10
High	2#11

### See also

[Analog modules \(Page 250\)](#)

[Parameters of analog input modules \(Page 443\)](#)

## A.8 Parameters of SM 331; AI 8 TC

### Parameter

The table below shows all parameters you can set at analog input module SM 331; AI 8 x TC. The comparison illustrates the parameters you can edit:

- in *STEP 7*
- using SFC55 "WR\_PARM"

Parameters set in *STEP 7* can also be transferred to the module using SFC56 and SFC57 (refer to the *STEP 7* manuals).

Table A-15 Parameters of SM 331; AI 8 TC

Parameters	Data record num-	Programmable, using ...	
... SFC 55	... PG		
Diagnostics: Group diagnostics	0	no	yes
Diagnostics: with wirebreak monitoring		no	yes
Diagnostic interrupt enable	1	yes	yes
Hardware interrupt when limit exceeded		yes	yes
End of cycle interrupt enable		yes	yes
Temperature unit		yes	yes

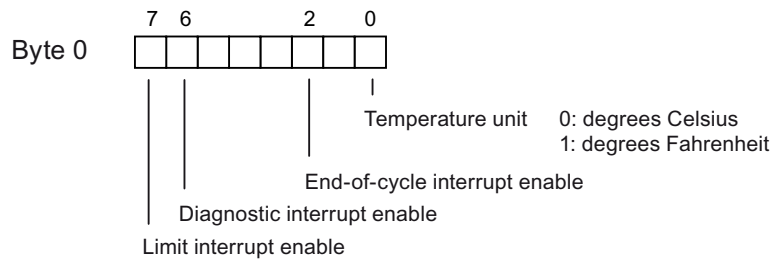
Parameters	ber	Programmable, using ...	
Measurement type	128	yes	yes
Measuring range		yes	yes
Operating mode		yes	yes
Response to open thermocouple		yes	yes
Interference frequency suppression		yes	yes
Smoothing		yes	yes
High limit		yes	yes
Low limit		yes	yes

**NOTE**

To enable diagnostic interrupts in the user program at data record 1, you first need to enable diagnostics at data record 0 in *STEP 7*.

**Structure of data record 1**

The figure below shows the structure of data record 1 of SM 331; AI 8 x TC. You enable a parameter by setting a logical "1" at the corresponding bit.



Bytes 1 to 13 are not occupied

Figure A-11 Data record 1 for the parameters of SM 331; AI 8 x TC

### Structure of data record 128

The figure below shows the structure of data record 128 of SM 331; AI 8 x TC.

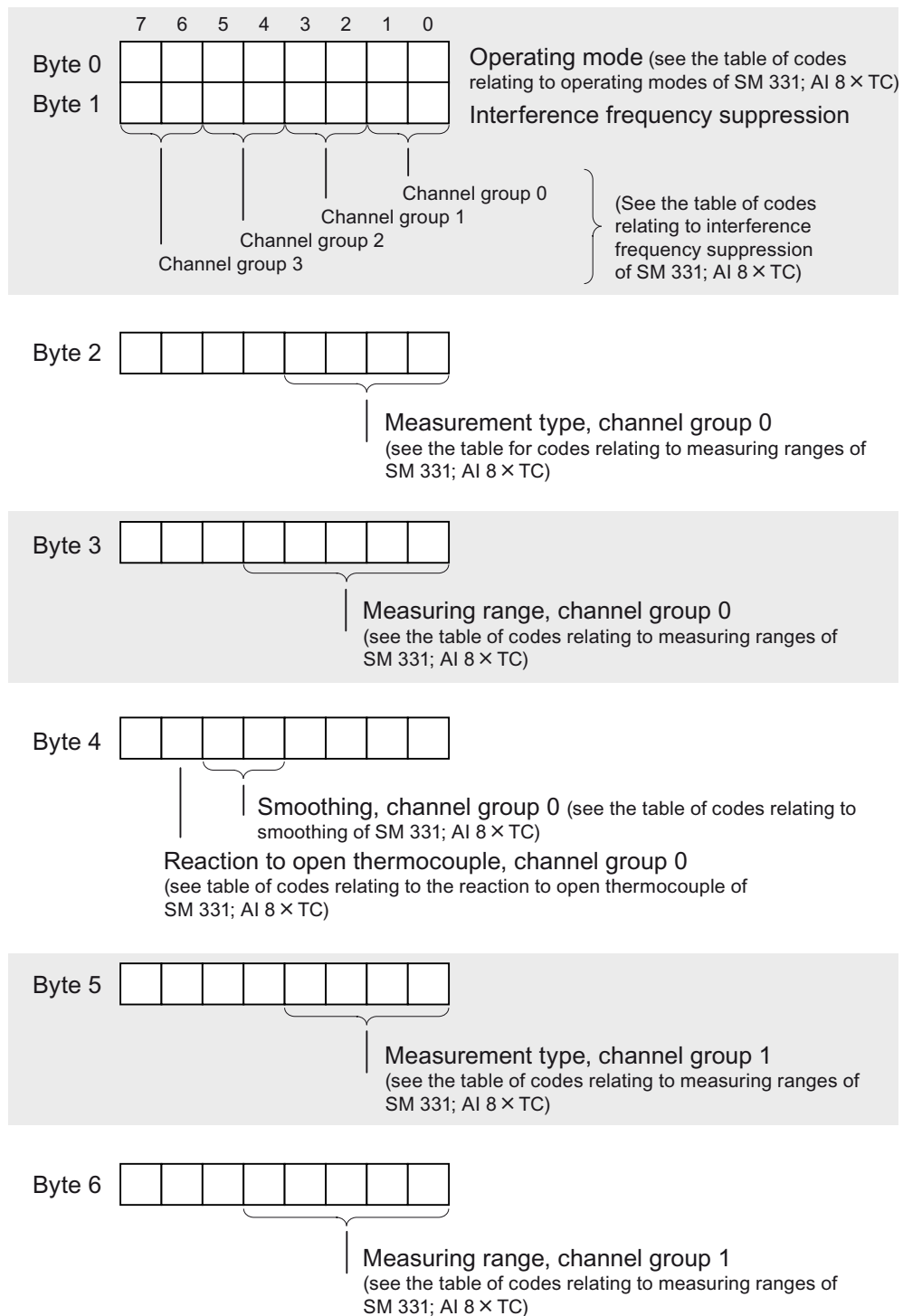


Figure A-12 Fig. A-10 Data record 128 of SM 331; AI 8 x TC (continued)

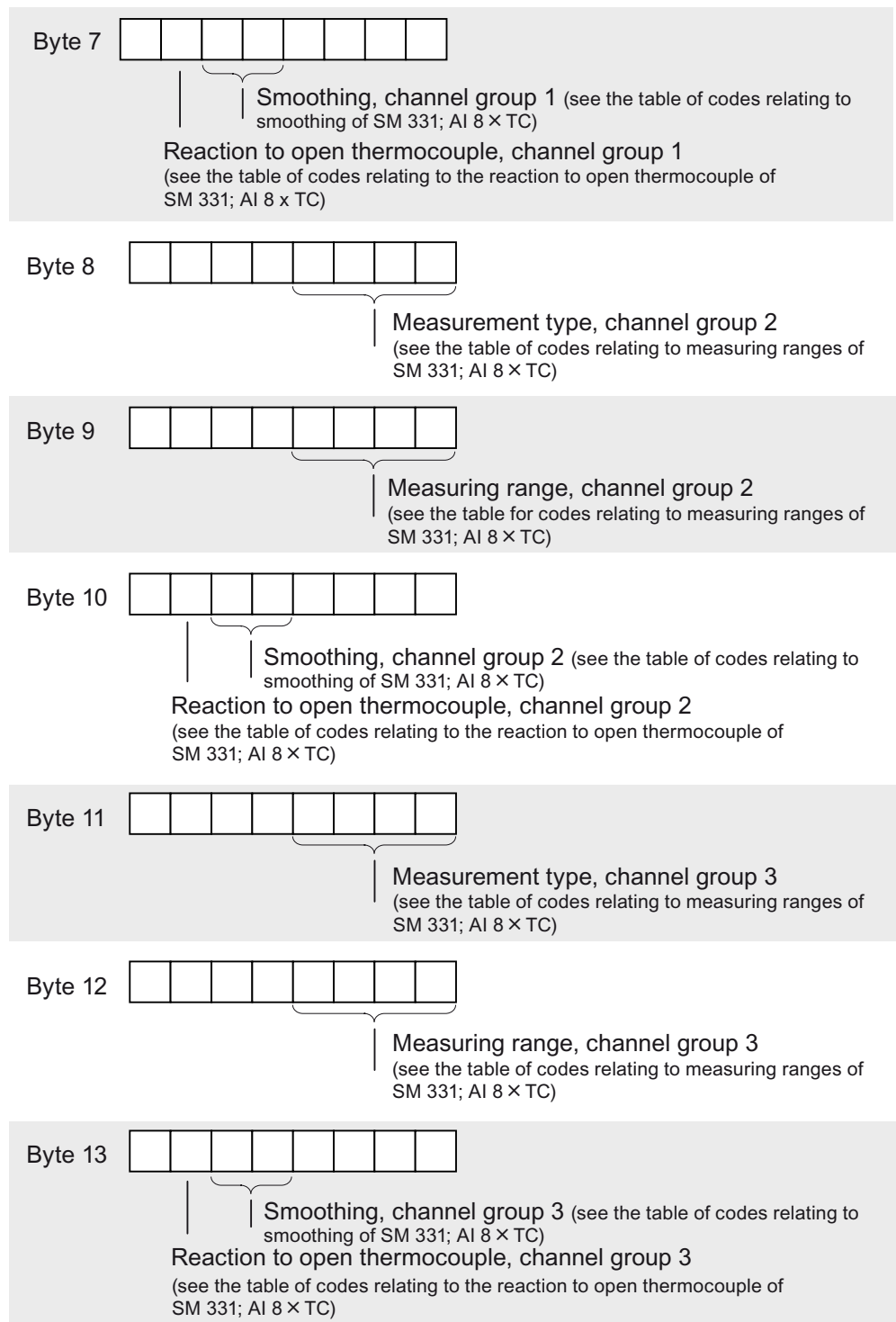


Figure A-13 Data record 128 of SM 331; AI 8 TC (continued)

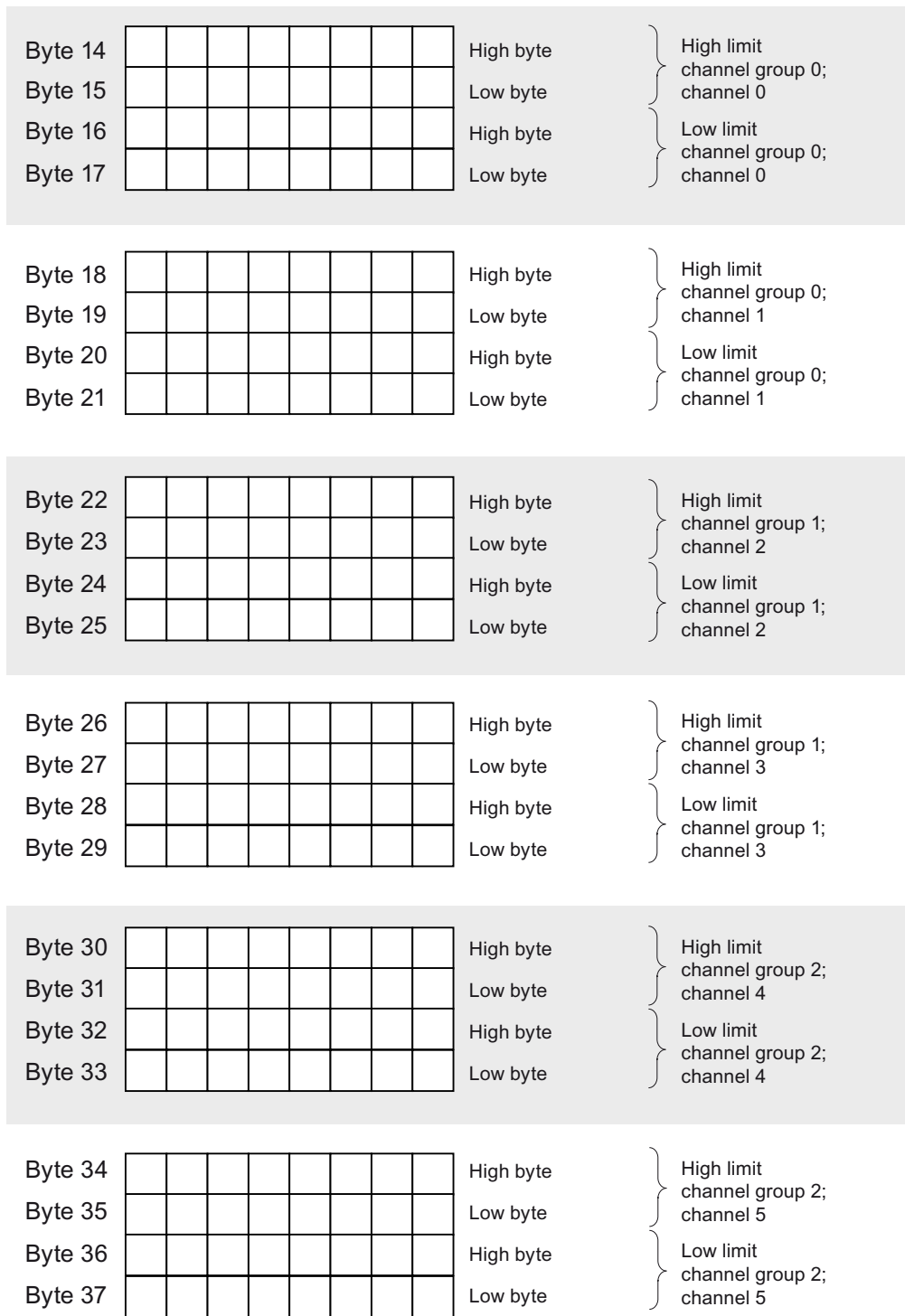


Figure A-14 Data record 128 of SM 331; AI 8 TC (continued)

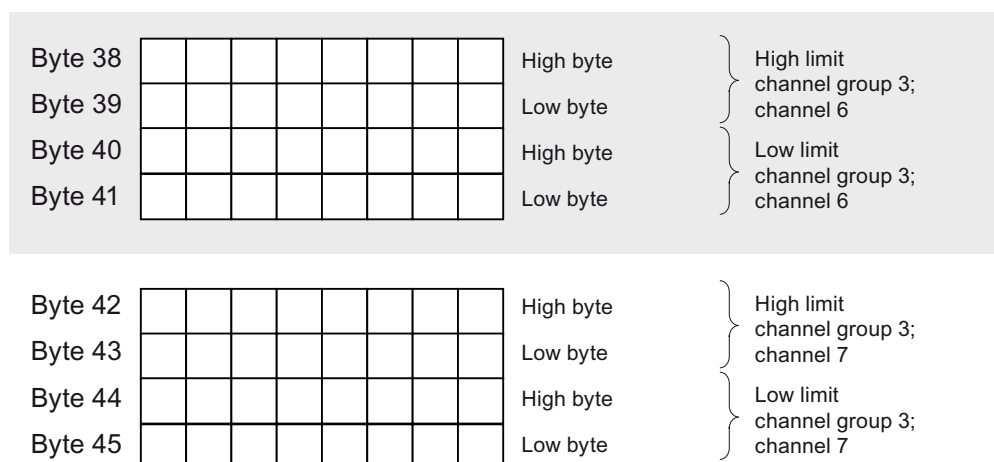


Figure A-15 Data record 128 of SM 331; AI 8 x TC (continued)

**NOTE**

The representation of limits matches the analog value representation. Observe range limits when setting the limit values.

**Modes of operation of SM 331; AI 8 x TC**

The table below contains the coding at byte 0 of data record 128 for the various modes of operation (see the previous figure.)

Table A-16 Operating mode codes of SM 331; AI 8 x TC

Operating mode	Code
8 channels, hardware filter	2#00000000
8 channels, software filter	2#00000001
4 channels, hardware filter	2#00000010

**Interference frequency suppression at SM 331; AI 8 x TC**

The table below contains the frequency codes to be entered at byte 1 of data record 128 (see the previous figure.) The 400 Hz, 60 Hz and 50 Hz settings only apply to 8channel software filter mode. The 50 Hz, 60 Hz and 400 Hz settings only apply to 4- and 8-channel hardware filter mode.

Table A-17 Interference frequency suppression codes of SM 331; AI 8 x TC

Interference frequency suppression	Code
400 Hz	2#00
60 Hz	2#01
50 Hz	2#10
50/60/400 Hz	2#11

### Measurement types and measuring ranges of SM 331; AI 8 x TC

The table below shows all measurement types and measuring ranges of the module, including their codes. Enter these codes at the corresponding bytes of data record 128 (see the figure *Data record 1 for the parameters of analog input modules*).

Table A-18 Measuring range codes of SM 331; AI 8 x TC

Measurement type	Code	Measuring range	Code
disabled	2#0000	disabled	2#0000
TC-L00C: (thermocouple, linear, 0 °C reference temperature)	2#1010	B N E R S J L T K U C TXK/XK(L)	2#0000 2#0001 2#0010 2#0011 2#0100 2#0101 2#0110 2#0111 2#1000 2#1001 2#1010 2#1011
TC-L50C: (thermocouple, linear, 50 °C reference temperature)	2#1011	B N E R S J L T K U C TXK/XK(L)	2#0000 2#0001 2#0010 2#0011 2#0100 2#0101 2#0110 2#0111 2#1000 2#1001 2#1010 2#1011
TC-IL: (thermocouple, linear, internal comparison)	2#1101	B N E R S J L T K U C TXK/XK(L)	2#0000 2#0001 2#0010 2#0011 2#0100 2#0101 2#0110 2#0111 2#1000 2#1001 2#1010 2#1011
TC-EL: (thermocouple, linear, external comparison)	2#1110	B N E R S J L T K U C TXK/XK(L)	2#0000 2#0001 2#0010 2#0011 2#0100 2#0101 2#0110 2#0111 2#1000 2#1001 2#1010 2#1011



### Reaction to open thermocouple of the SM 331; AI 8 x TC

The table below lists the codes for the reaction to an open thermocouple to enter at the corresponding byte of data record 128 (refer the previous figure.)

Table A-19 Codes of the reaction to open thermocouple of SM 331; AI 8 x TC

Response to open thermocouple	Code
Overflow	2#0
Underflow	2#1

### Smoothing of SM 331; AI 8 x TC

The table below lists all smoothing codes to be entered at the corresponding byte of data record 128 (refer to the previous figure.)

Table A-20 Smoothing codes at SM 331; AI 8 x TC

Smoothing	Code
None	2#00
Low	2#01
Average	2#10
High	2#11

#### See also

[Analog modules \(Page 250\)](#)

[Parameters of analog input modules \(Page 443\)](#)

## A.9 Parameters of analog input module SM 331; AI 8 x 13 Bit

### Structure of data record 1

The figure below shows the structure of data record 1 for the parameters of the analog input module.

You enable a parameter by setting a logical "1" at the corresponding bit in the bytes.

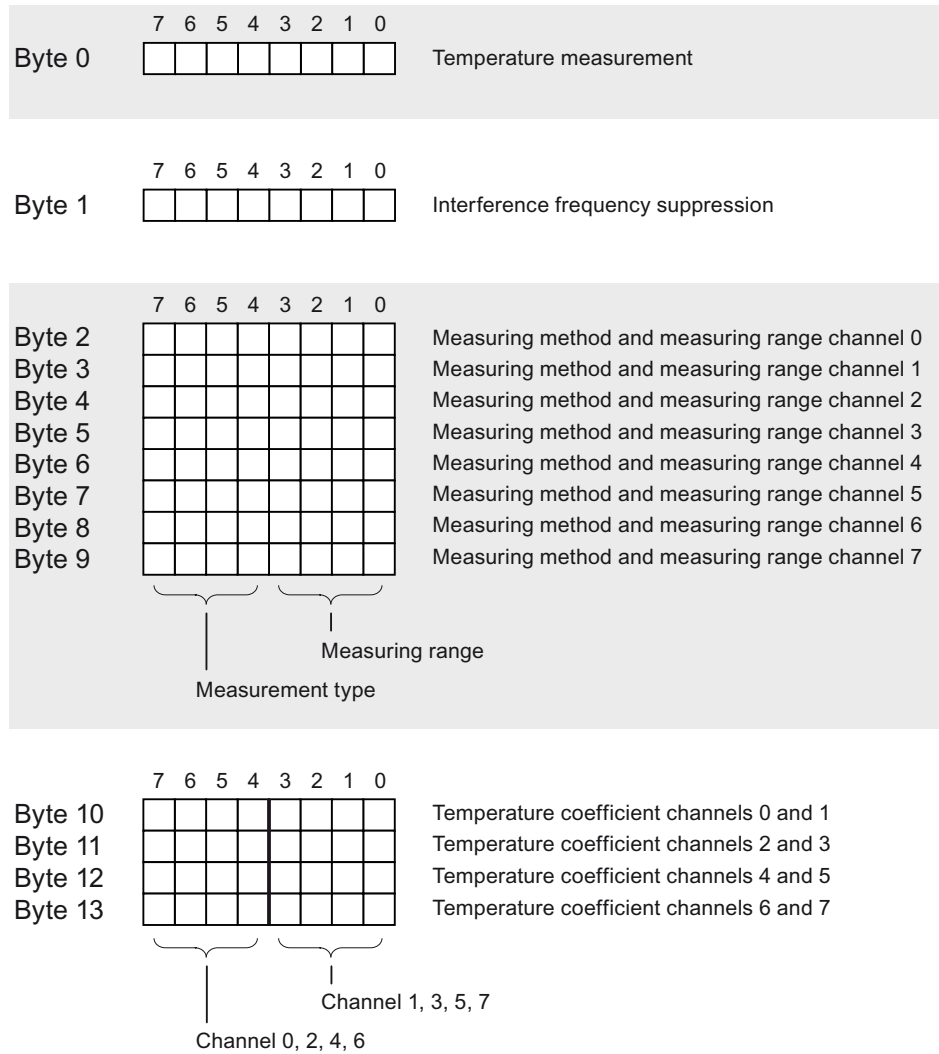


Figure A-16 Data record 1 for the parameters of analog input modules

### Temperature measurement

The table below lists the temperature measurement codes to be entered at byte 0 of data record 1 (see the previous figure.)

Table A-21 Temperature measurement codes of the analog input module

Temperature unit for linearization	Code
degrees Celsius	2#0000 0000
Degrees Fahrenheit	2#0000 1000
Kelvin	2#0001 0000

## Interference frequency suppression

The table below contains the frequency codes to be entered at byte 1 of data record 1 (see the previous figure.) Make allowances for the resultant integration time at each module!

Table A-22 Interference frequency suppression codes of the analog input module

Interference frequency suppression	Integration time	Code
60 Hz	50 ms	2#01
50 Hz	60 ms	2#10

## Measurement types and measuring ranges

The table below contains all the measurement types and measuring ranges of the analog input module, including their codes. Enter these codes at bytes 2 to 13 in data record 1 (refer to the previous figure.)

### NOTE

The front connector of the analog input module must be wired in accordance with the measuring range!

Table A-23 Measuring ranges codes of the analog input module

Measurement type	Code	Measuring range	Code
disabled	2#0000	disabled	2#0000
Voltage	2#0001	± 50 mV ± 500 mV ± 1 V ± 5 V 1 V to 5 V 0 V to 10 V ± 10 V	2#1011 2#0011 2#0100 2# 0110 2#0111 2#1000 2#1001
Current	2#0010	0 mA to 20 mA 4 mA to 20 mA ± 20 mA	2#0010 2#0011 2#0100
Resistance	2#0101	600 Ω 6 kΩ PTC	2#0110 2#1000 2#1111
Thermoelectric resistance (linear)	2#1001	Pt 100 Klima Pt 100 Standard Ni 100 Klima Ni 100 Standard Ni 1000 / LG-Ni 1000 Klima Ni 1000 / LG-Ni 1000 Standard KTY83/110 KTY84/130	2#0000 2#0010 2#0001 2#0011 2#1010 2#0110 2#1100 2#1101

### Temperature coefficient

The table below lists the temperature coefficient codes to be entered at bytes 10 to 13 of data record 1 (refer to previous figure.)

Table A-24 Temperature measurement codes of the analog input module

Temperature coefficient	Measuring range	Code
Pt 0.003850 Ω/Ω°C (ITS-90)	Pt 100	2#0100
Ni 0.006180 Ω/Ω°C	Ni 100 / Ni 1000	2#1000
Ni 0.005000 Ω/Ω°C	LG-Ni 1000	2#1010

## A.10 Setting of the analog input module SM 331; AI 8 x 16 Bit (6ES7331-7NF10-0AB0)

### Parameter

The table below contains all settings you can set for isolated digital output modules SM 331; AI 8 x 16 Bit (6ES7331-7NF10-0AB0). This comparison shows which specific method you can use to configure the various parameters:

- SFC55 "WR\_PARM"
- STEP 7 programming device

Parameters set in STEP 7 can also be transferred to the module using SFC56 or SFC57.

Table A-25 Parameters for the electrically isolated analog input module SM 331; AI 8 x 16 Bit

Parameters	Data record no.	Configurable using...	
... SFC55	...Programming device		
Diagnostics: Group diagnostics	0	no	yes
Diagnostics: with wirebreak monitoring		no	yes
Hardware interrupt when limit exceeded	1	yes	yes
Diagnostics interrupt enable		yes	yes
End-of-cycle alarm enable		yes	yes
Module operating mode	128	yes	yes
Noise suppression		yes	yes
Measuring method		yes	yes
Measuring range		yes	yes
Smoothing		yes	yes
High limit		yes	yes
Low limit		yes	yes

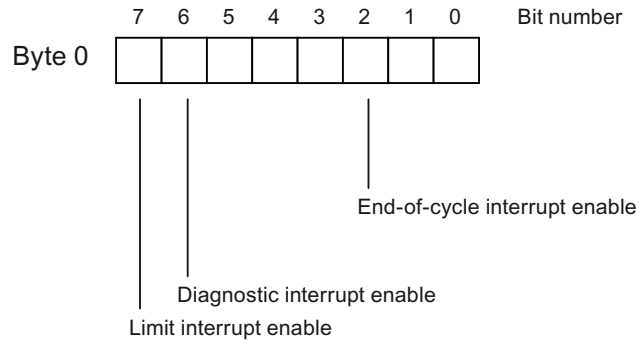
### NOTE

To enable diagnostic interrupts in the user program at data record 1, you first need to enable diagnostics at data record 0 in STEP 7.

### Structure of data record 1

The figure below shows the structure of data record 1 for the parameters of the electrically isolated analog input module SM 331; AI 8 x 16 bit.

You enable a parameter by setting a logical "1" at the corresponding bit in byte 0.

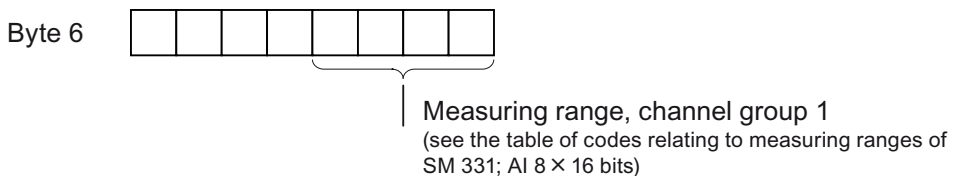
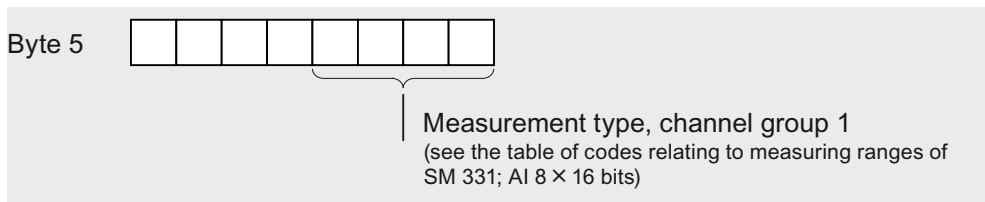
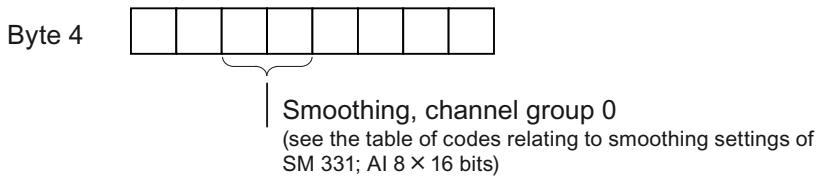
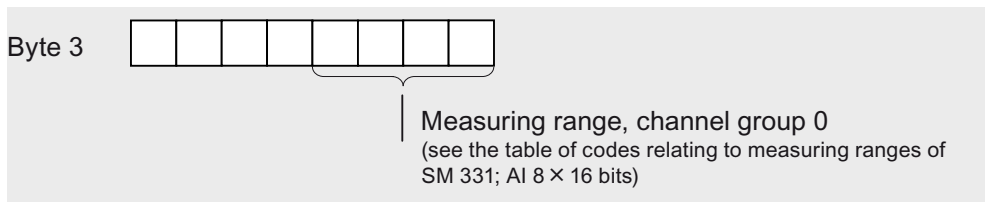
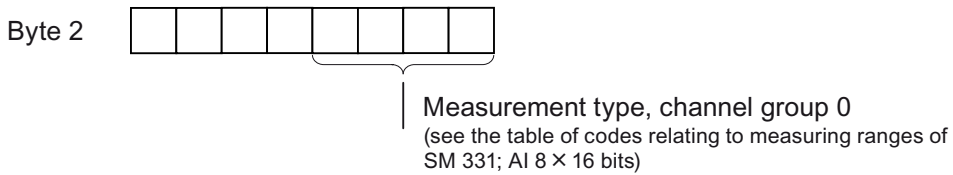
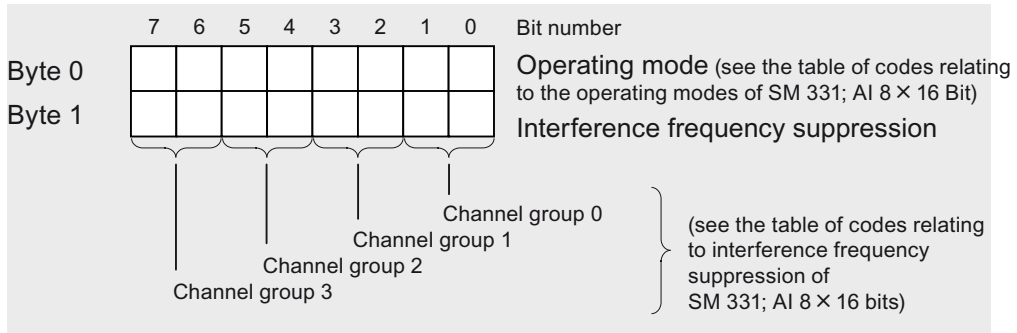


Bytes 1 to 13 are not occupied

Figure A-17 Data record 1 for parameters of SM 331; AI 8 x 16 Bit

**Structure of data record 128**

The figure below shows the structure of data record 128 for the parameters of the electrically isolated analog input module SM 331; AI 8 x 16 bit.



A.10 Setting of the analog input module SM 331; AI 8 x 16 Bit (6ES7331-7NF10-0AB0)

Figure A-18 Data record 128 for parameters of SM 331; AI 8 x 16 Bit

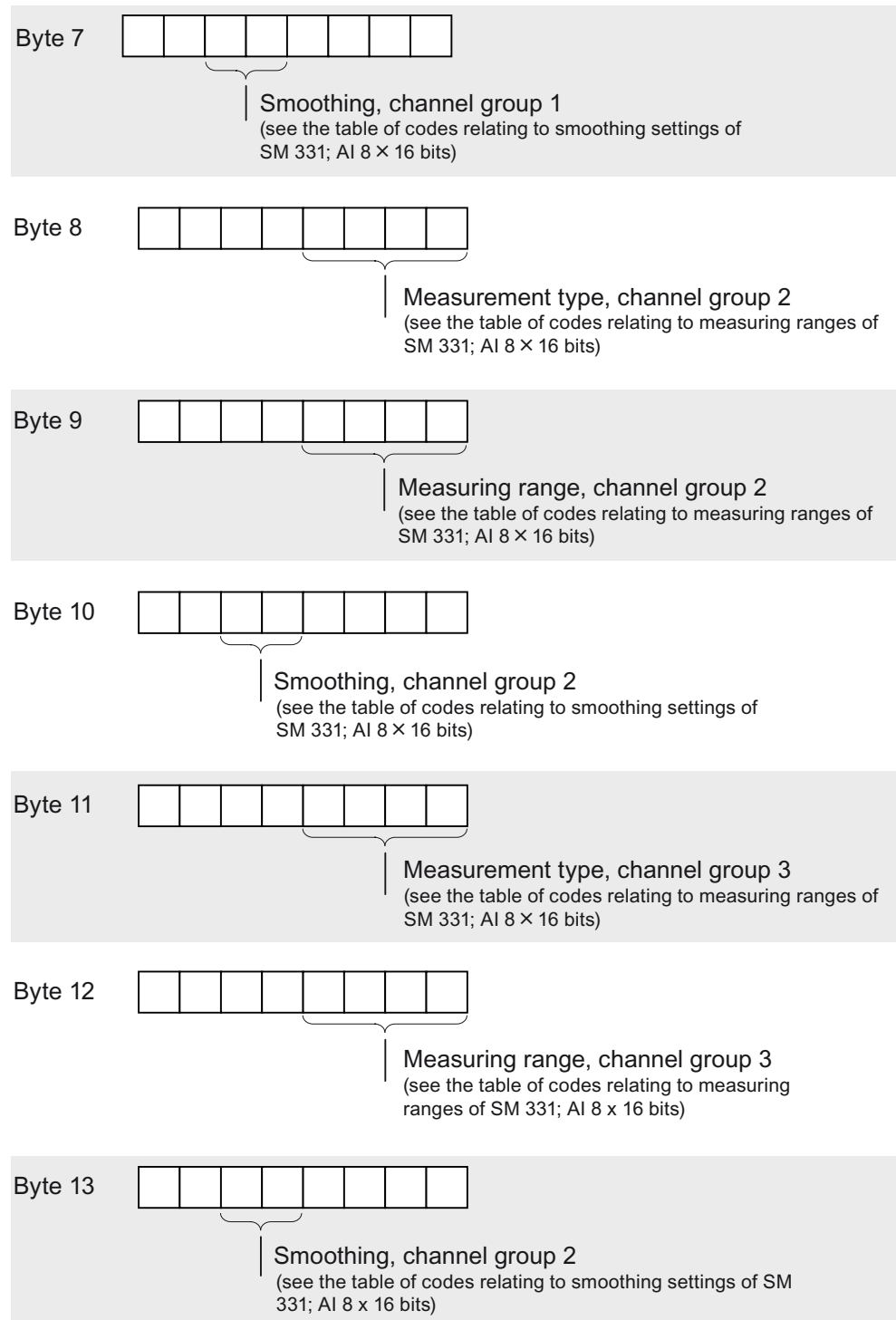


Figure A-19 Data record 128 for parameters of SM 331; AI 8 x 16 Bit (continued)

A.10 Setting of the analog input module SM 331; AI 8 x 16 Bit (6ES7331-7NF10-0AB0)

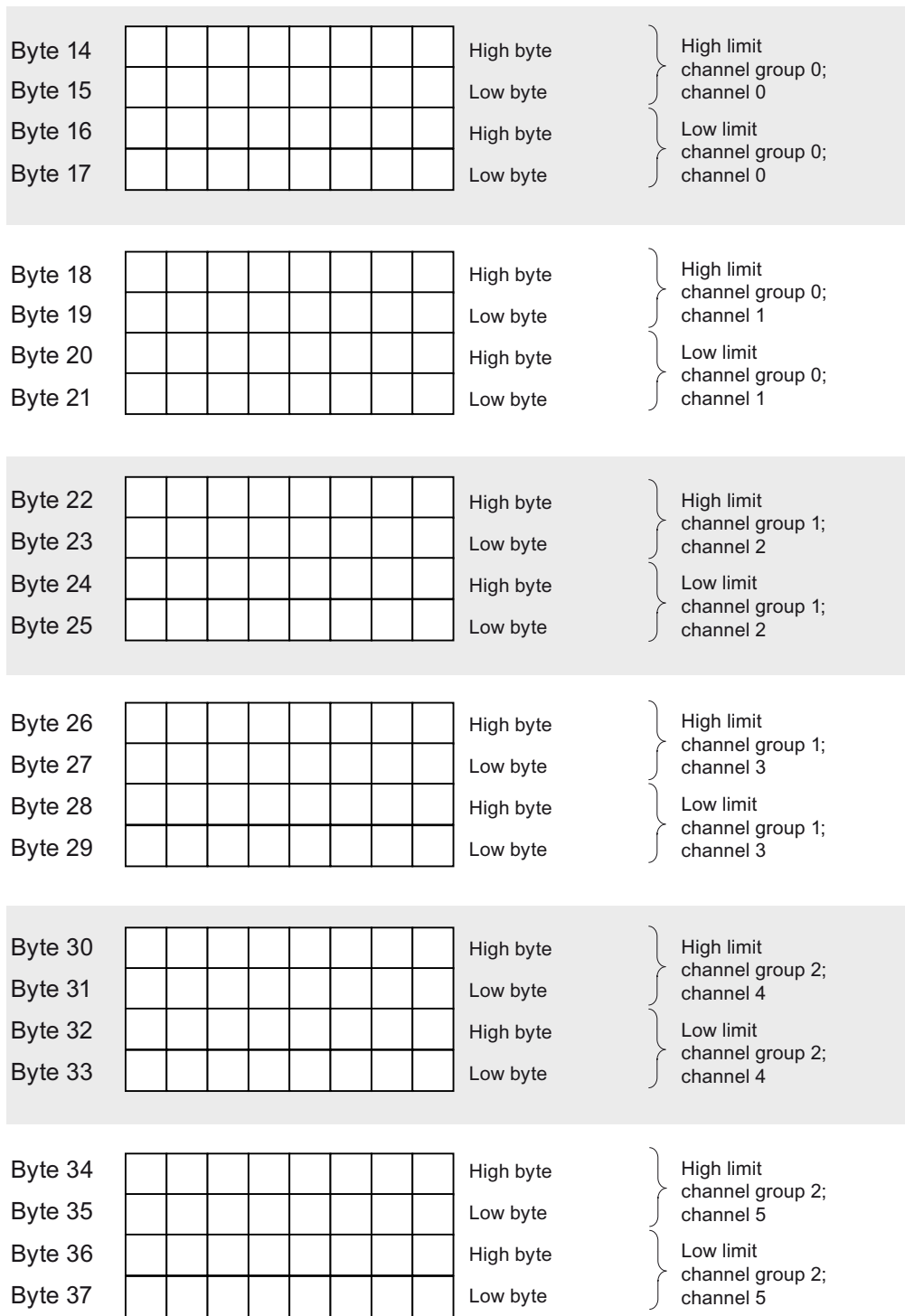


Figure A-20 Data record 128 for parameters of SM 331; AI 8 x 16 Bit (continued)



A.10 Setting of the analog input module SM 331; AI 8 x 16 Bit (6ES7331-7NF10-0AB0)

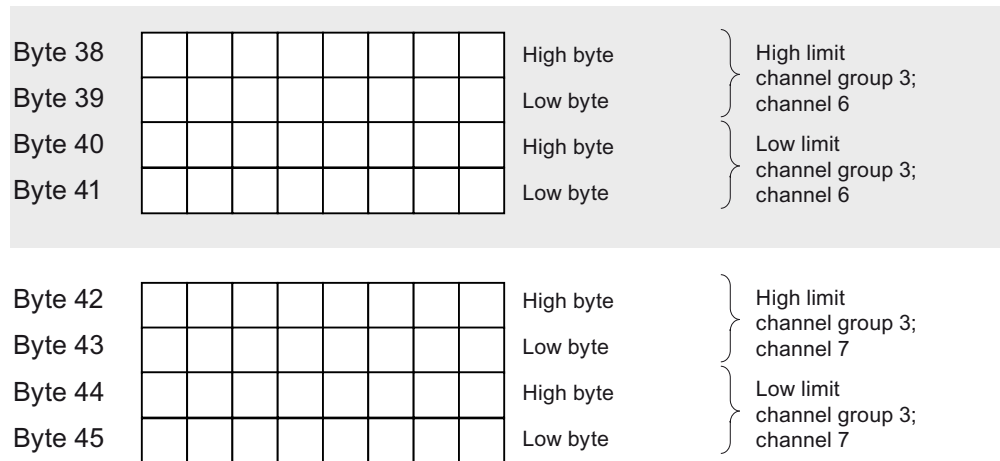


Figure A-21 Data record 128 for parameters of SM 331; AI 8 x 16 Bit (continued)

**NOTE**

The representation of limits matches the analog value representation. Observe range limits when setting the limit values.

**Module operating modes**

The table below lists the operating mode codes to be entered at byte 0 of data record 128 (see the previous figure.)

Table A-26 Operating mode codes of SM 331; AI 8 x 16 Bit

Module operating mode	Code
8 channels	2#00000000
4 channels	2#00000001

**Noise suppression**

The table below lists the frequency codes to be entered at byte 1 of data record 128 (see the previous figure.) 4-channel mode only works if 50 Hz, 60 Hz and 400 Hz noise suppression is set.

Table A-27 Noise suppression codes of SM 331; AI 8 x 16 Bit

Noise suppression	Code
400 Hz	2#00
60 Hz	2#01
50 Hz	2#10
50 Hz, 60 Hz and 400 Hz	2#11

### Measuring methods and ranges

The table below lists the measuring ranges of the electrically isolated analog input module SM 331; AI 8 x 16 bit. The table below shows the measuring method and range codes. Enter these codes according to the required measuring range at the relevant byte of data record 128 (see previous figure.)

Table A-28 Measuring range codes of SM 331; AI 8 x 16 Bit

Measuring method	Code	Measuring range	Code
Disabled	2#0000	Disabled	2#0000
Voltage	2#0001	±5 V 1 V to 5 V ±10 V	2#0110 2#0111 2#1001
Current (4-wire transducer)	2#0010	0 mA to 20 mA 4 mA to 20 mA ± 20 mA	2#0010 2#0011 2#0100

### Settings of input smoothing

The table below lists the smoothing settings of the electrically isolated analog input module SM 331; AI 8 x 16 Bit. Enter these codes according to the required smoothing at the relevant byte of data record 128 (see previous figure.)

Table A-29 Smoothing codes of SM 331; AI 8 x 16 Bit

Smoothing settings	Code
None	2#00
Low	2#01
Average	2#10
High	2#11

### See also

[Analog modules \(Page 250\)](#)

## A.11 Parameters of analog input module SM 331; AI 6 x TC isolated

### Parameter

The table below shows all parameters you can set at analog input module SM 331; AI 6 x TC. The comparison illustrates the parameters you can edit:

- In *STEP 7*
- Using SFC55 "WR\_PARM"

Parameters set in *STEP 7* can also be transferred to the module using SFC56 and SFC57 (refer to the *STEP 7* manuals).

Parameters	Data record number	Programmable, using ...	
		... SFC55	... PG
Diagnostics: Channel	0	No	Yes

Parameters	Data record number	Programmable, using ...	
Diagnostics: For wire break	0	No	Yes
Hardware interrupt when limit exceeded	1	Yes	Yes
Diagnostic interrupt enable	1	Yes	Yes
Temperature unit	1	Yes	Yes
Activation of auto-calibration	1	Yes	Yes
Interference frequency suppression	1	Yes	Yes
Measurement type	1	Yes	Yes
Measuring range	1	Yes	Yes
Measured value smoothing	1	Yes	Yes
Response to open thermocouple	1	Yes	Yes
External reference junction	1	Yes	Yes
Temperature coefficient	1	Yes	Yes
High limit	128	Yes	Yes
Low limit	128	Yes	Yes

**NOTE**

To enable diagnostic interrupts in the user program at data record 1, you first need to enable diagnostics at data record 0 in *STEP 7*.

**Structure of data record 1**

The figure below shows the structure of data record 1 for the parameters of analog input module SM 331; AI 6 x TC. You enable a parameter by setting a logical "1" at the corresponding bit.

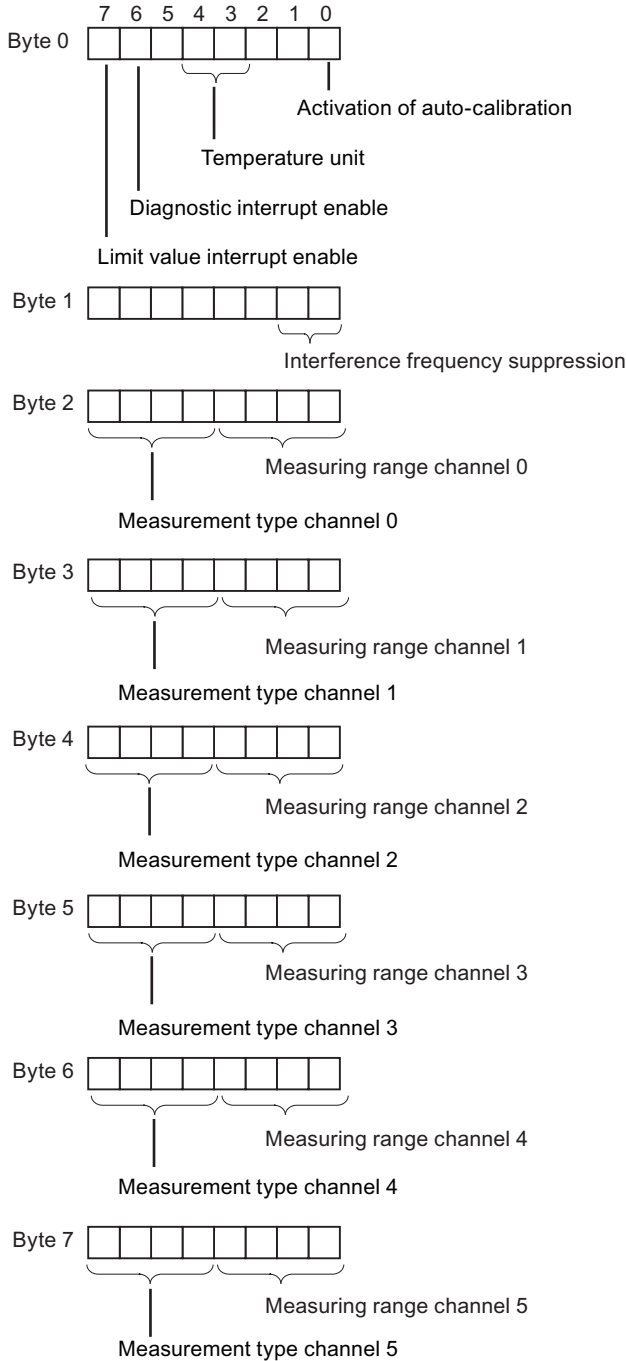


Figure A-22 Structure of data record 1 for AI 6 x TC

## Structure of data record 128

The figure below shows the structure of data record 128 for the parameters of analog input module SM 331; AI 6 x TC.

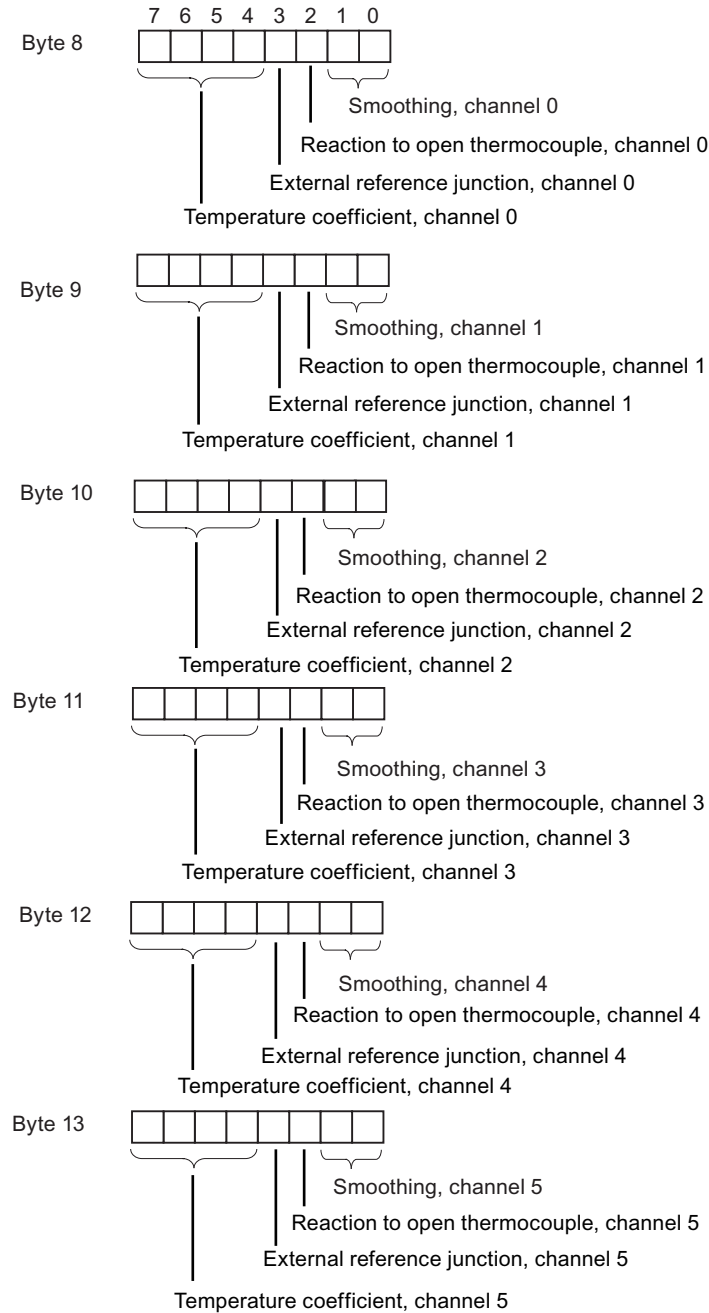


Figure A-23 Structure of data record 1 for AI 6 x TC (cont.)

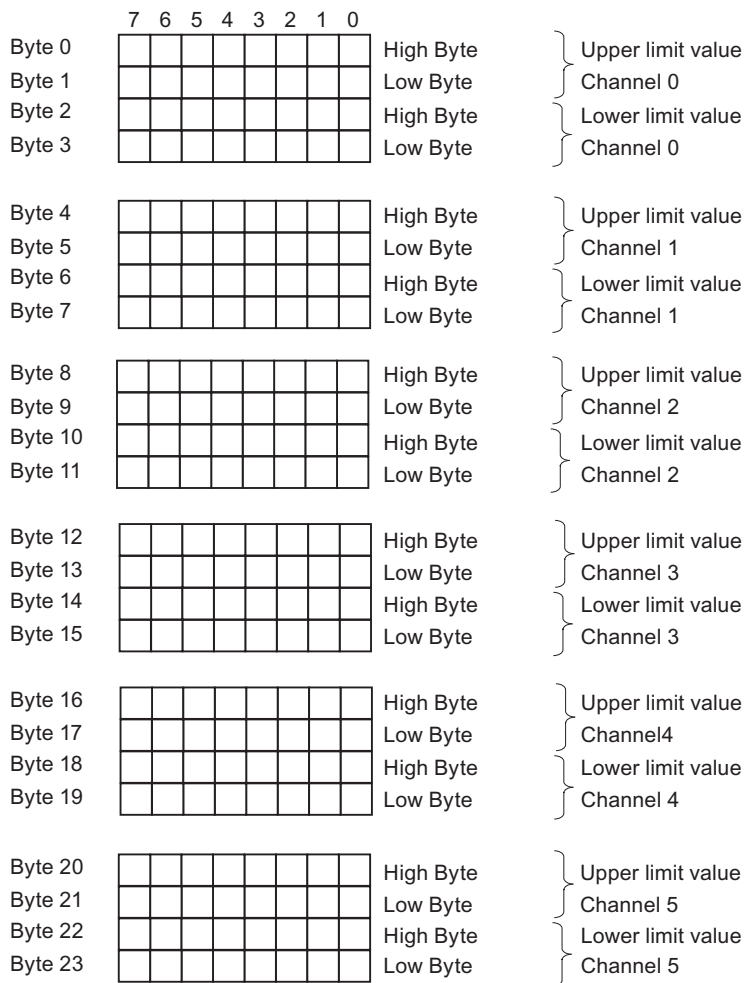


Figure A-24 Data record 128 for AI 6 x TC

**NOTE**

The representation of limits matches the analog value representation. When defining limit values, take the measuring range limits into account.

**Temperature measurement**

The table below contains the coding you must enter at byte 0 of data record 1 for the various temperature measurements.

Temperature unit for linearization	Code
Celsius	2#00
Fahrenheit	2#01
Kelvin	2#10

## Interference frequency suppression

The table below contains the coding you must enter at byte 1 of data record 1 for the various frequencies.

Interference frequency suppression	Code
400 Hz	2#00
60 Hz	2#01
50 Hz	2#10
10 Hz	2#11

## Measurement types and measuring ranges

The table below contains all measuring ranges for the module, together with the associated codes. Enter these codes at the corresponding bytes of data record 1.

Measurement type	Code	Measuring range	Code
disabled	2#0000	disabled	2#0000
Voltage	2#0001	± 80 mV ± 250 mV ± 500 mV ± 1 V ± 25 mV ± 50 mV	2#0001 2#0010 2#0011 2#0100 2#1010 2#1011
TC-L00C Thermocouple, linear, 0 °C reference temperature	2#1010	B N E R S J L T K U C TxK/XK(L)	2#0000 2#0001 2#0010 2#0011 2#0100 2#0101 2#0110 2#0111 2#1000 2#1001 2#1010 2#1011
TC-L50C Thermocouple, linear, 50 °C reference temperature	2#1011	B N E R S J L T K U C TxK/XK(L)	2#0000 2#0001 2#0010 2#0011 2#0100 2#0101 2#0110 2#0111 2#1000 2#1001 2#1010 2#1011

Measurement type	Code	Measuring range	Code
TC-IL Thermocouple, linear, internal comparison	2#1101	B	2#0000
		N	2#0001
		E	2#0010
		R	2#0011
		S	2#0100
		J	2#0101
		L	2#0110
		T	2#0111
		K	2#1000
		U	2#1001
		C	2#1010
		TxK/XK(L)	2#1011
TC-EL: Thermocouple, linear, external comparison	2#1110	B	2#0000
		N	2#0001
		E	2#0010
		R	2#0011
		S	2#0100
		J	2#0101
		L	2#0110
		T	2#0111
		K	2#1000
		U	2#1001
		C	2#1010
		TxK/XK(L)	2#1011

### Smoothing

The table below lists all smoothing codes to be entered at the corresponding byte of data record 1.

Smoothing	Code
None	2#00
Low	2#01
Average	2#10
High	2#11

### Response to open thermocouple

The table below lists the codes for the reaction to an open thermocouple to be entered at the corresponding byte of data record 1.

Response to open thermocouple	Code
Overflow	2#0
Underflow	2#1



## External reference junction

The table below lists the codes for the external reference junction, to be entered at the corresponding byte of data record 1.

Selection of an external reference junction	Code
Local thermoresistor	2#0
Remote thermoresistor	2#1

## Temperature coefficient

The table below lists the codes for the temperature coefficient, to be entered at the corresponding byte of data record 1.

Temperature coefficient	Code
Pt 0.003850 $\Omega/\Omega/^\circ\text{C}$ (IPTS-68)	2#0000
Pt 0.003916 $\Omega/\Omega/^\circ\text{C}$	2#0001
Pt 0.003902 $\Omega/\Omega/^\circ\text{C}$	2#0010
Pt 0.003920 $\Omega/\Omega/^\circ\text{C}$	2#0011
Pt 0.003850 $\Omega/\Omega/^\circ\text{C}$ (ITS-90)	2#0100
Pt 0.003910 $\Omega/\Omega/^\circ\text{C}$ (GOST)	2#0101

### NOTE

When selecting a temperature coefficient by writing data record 1 via an SFC or a GSD file, the same temperature coefficient must be specified for every channel which uses the external reference junction. If you select different temperature coefficients, this will lead to a parameter fault.

## A.12 Parameters of analog output modules

### Parameters

The table below lists all parameters you can set for analog output modules. The comparison shows:

- which parameters you can edit in *STEP 7*, and
- which parameters you can change using SFC55 "WR\_PARM".

Parameters set in *STEP 7* can also be transferred to the module using SFC56 and SFC57.

Table A-30 Parameters of analog output modules

Parameters	Data record num-	Programmable, using ...	
		...	PG
... SFC55	...		
Diagnostics: Group diagnostics	0	No	Yes

A.12 Parameters of analog output modules

Parameters	ber	Programmable, using ...	
Diagnostic interrupt enable	1	Yes	Yes
Reaction to CPU STOP		Yes	Yes
Output type		Yes	Yes
Output range		Yes	Yes
Substitute value		Yes	Yes

**NOTE**

To enable diagnostic interrupts in the user program at data record 1, you first need to enable diagnostics at data record 0 in *STEP 7*.

**Structure of data record 1**

The figure below shows the structure of data record 1 for the parameters of analog output modules.

You enable diagnostic interrupts by setting a logic "1" at the corresponding bit of byte 0.

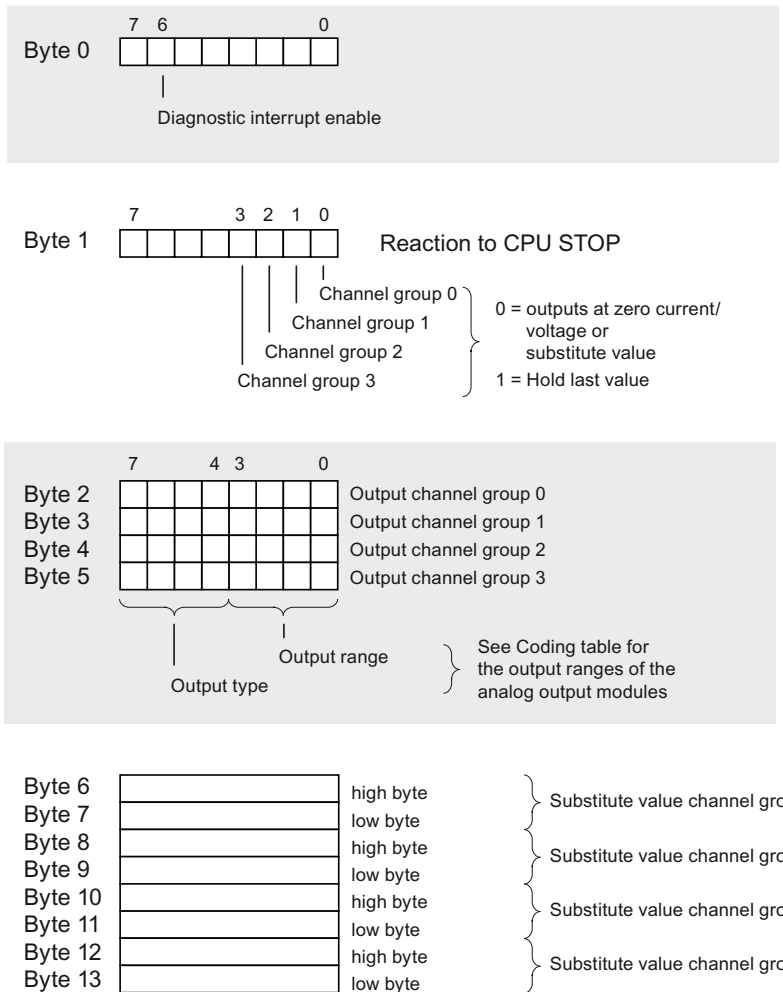


Figure A-25 Data record 1 for the parameters of analog output modules

### Output types and output ranges

The table below lists all output types/ranges of the analog output modules, including their codes. Enter these codes at bytes 2 to 5 in data record 1 (refer to the previous figure.)

Table A-31 Output range codes of analog output modules

Output type	Code	Output range	Code
disabled	2#0000	disabled	2#0000
Voltage	2#0001	1 V to 5 V 0 V to 10 V ± 10 V	2#0111 2#1000 2#1001
Current	2#0010	0 mA to 20 mA 4 mA to 20 mA ± 20 mA	2#0010 2#0011 2#0100

### See also

[Analog modules \(Page 250\)](#)

## A.13 Parameters of analog output module SM 332; AO 8 x 12 Bit

### Parameter

The table below shows all parameters you can set at analog output module SM 332; AO 8 x 12 Bit. The comparison shows:

- which parameters you can edit in *STEP 7*, and
- which parameters you can change using SFC 55 "WR\_PARM".

Parameters set in *STEP 7* can also be transferred to the module using SFC 56 and SFC 57.

Table A-32 Parameters of SM 332; AO 8 x 12 Bit

Parameters	Data record num- ... PG	Programmable, using ...	
... SFC 55	...		
Diagnostics: Group diagnostics	0	no	yes
Diagnostics interrupt enable	1	yes	yes
Reaction to CPU STOP		yes	yes
Output type		yes	yes
Output range		yes	yes

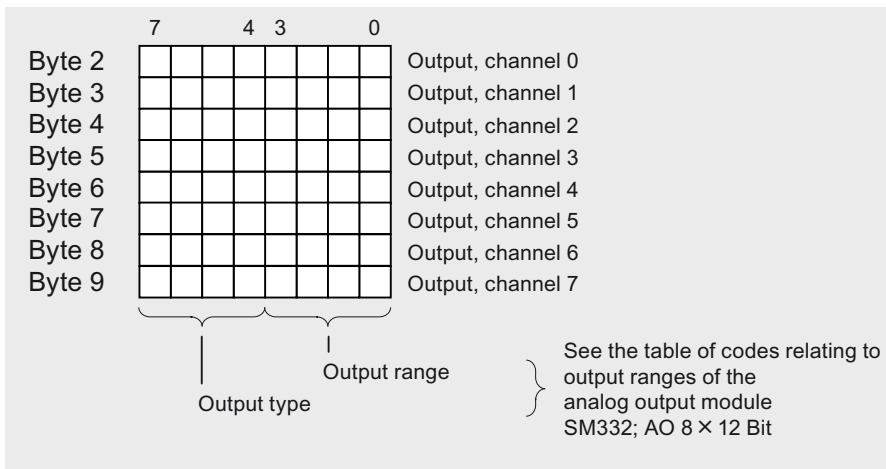
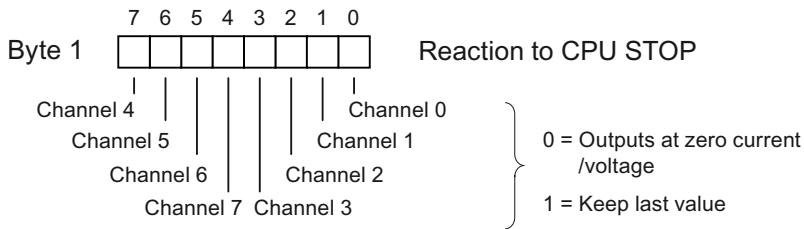
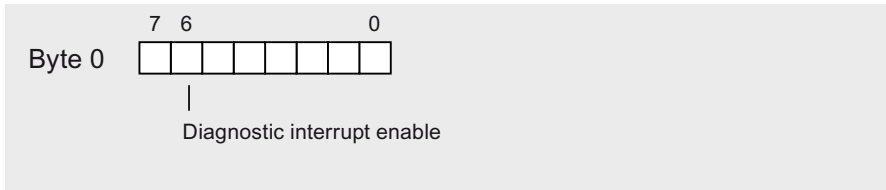
### NOTE

To enable diagnostics interrupts in the user program at data record 1, you first need to enable diagnostics at data record 0 in *STEP 7*.

**Structure of data record 1**

The figure below shows the structure of data record 1 for the parameters of SM 332; AO 8 x 12 Bit.

You enable diagnostics interrupts by setting a logic "1" at the corresponding bit of byte 0.



Bytes 10 to 13 are not occupied

Figure A-26 Data record 1 for the parameters of analog output modules

## Output type and output range

The table lists the output types/ranges of SM 332; AO 8 x 12 Bit, including their codes. Enter these codes at bytes 2 to 9 in data record 1 (refer to the previous figure.)

Table A-33 Output range codes of analog output module SM 332; AO 8 x 12 Bit

Output type	Code	Output range	Code
Disabled	2#0000	Disabled	2#0000
Voltage	2#0001	1 V to 5 V 0 V to 10 V ± 10 V	2#0111 2#1000 2#1001
Current	2#0010	0 mA to 20 mA 4 mA to 20 mA ± 20 mA	2#0010 2#0011 2#0100

## A.14 Parameters of analog IO modules

### Parameter

The table below lists all parameters you can set for analog IO modules. The comparison illustrates the parameters you can edit:

- in *STEP 7*
- using SFC 55 "WR\_PARM"

Parameters set in *STEP 7* can also be transferred to the module using SFC 56 and SFC 57 (refer to the *STEP 7* manuals).

Table A-34 Parameters of analog IO modules

Parameters	Data record number	Programmable, using ...	
... SFC 55	... PG		
Measuring method	1	yes	yes
Measuring range		yes	yes
Integration time		yes	yes
Output type		yes	yes
Output range		yes	yes

### Structure of data record 1

The figure below shows the structure of data record 1 for the parameters of analog IO modules.

You enable a parameter by setting a logic "1" at the corresponding bit of byte 0.

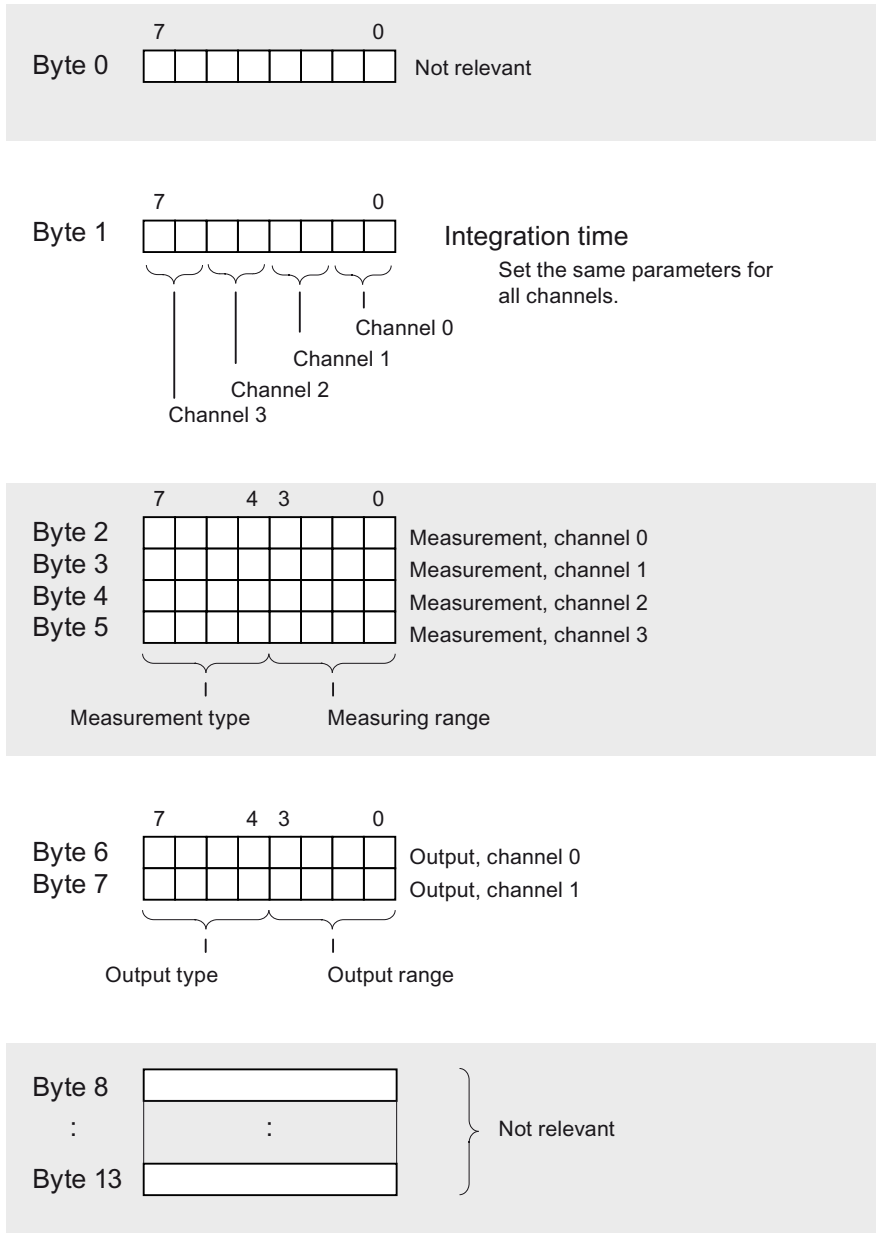


Figure A-27 Data record 1 for the parameters of analog IO modules

### Measuring methods and ranges

The table below lists all measuring methods/ranges of analog IO modules, including their codes. Enter these codes at bytes 2 to 5 in data record 1 (refer to the previous figure.)

Table A-35 Measuring range codes of analog IO modules

Measuring method	Code	Measuring range	Code
disabled	2#0000	disabled	2#0000
Voltage	2#0001	0 V to 10 V	2#1000
Resistance (4-wire connection)	2#0100	10 kΩ	2#1001
Thermal resistance + linearization 4-wire connection	2#1000	Pt 100 Klima	2#0000

### Output types and output ranges

The table below lists all output types/ranges of analog IO modules, including their codes. Enter these codes at bytes 6 and 7 of data record 1 (refer to the previous figure.)

Table A-36 Output range codes of analog IO modules

Output type	Code	Output range	Code
disabled	2#0000	disabled	2#0000
Voltage	2#0001	0 V to 10 V	2#1000

# Diagnostics data of signal modules

## B.1 Evaluating diagnostic data of signal modules in the user program

### Introduction

This appendix describes the diagnostic data structure in system data. You should be sufficiently familiar with this structure if you want to evaluate the diagnostics data of the signal module in the *STEP 7* user program.

### Diagnostics data are saved to data records

The diagnostics data for a module is stored in data records 0 and 1.

- Data record 0 contains 4 bytes of diagnostics data describing the current state of the module.
- Data record 1 contains the 4 bytes of diagnostics data also stored in data record 0, **plus** additional module-specific diagnostics data, which describes the status of a channel or a channel group.

### Further references

For detailed information on the evaluation of the diagnostics data of signal modules in the user program and on corresponding SFCs, refer to the *STEP 7* manuals.

## B.2 Structure and content of diagnostics data, byte 0 and up

### Introduction

The section below describes the structure and content of the various bytes in diagnostics data. General rule: A fault is indicated by a logic "1" at the relevant bit.



**Bytes 0 and 1 (data records 0 and 1)**

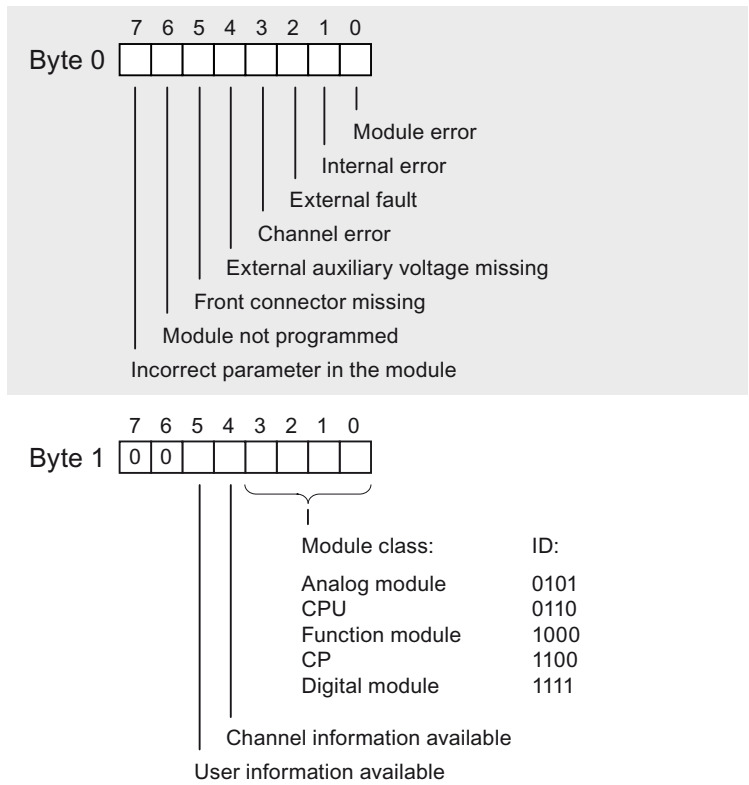


Figure B-1 Bytes 0 and 1 of diagnostics data

Bytes 2 and 3 (data records 0 and 1)

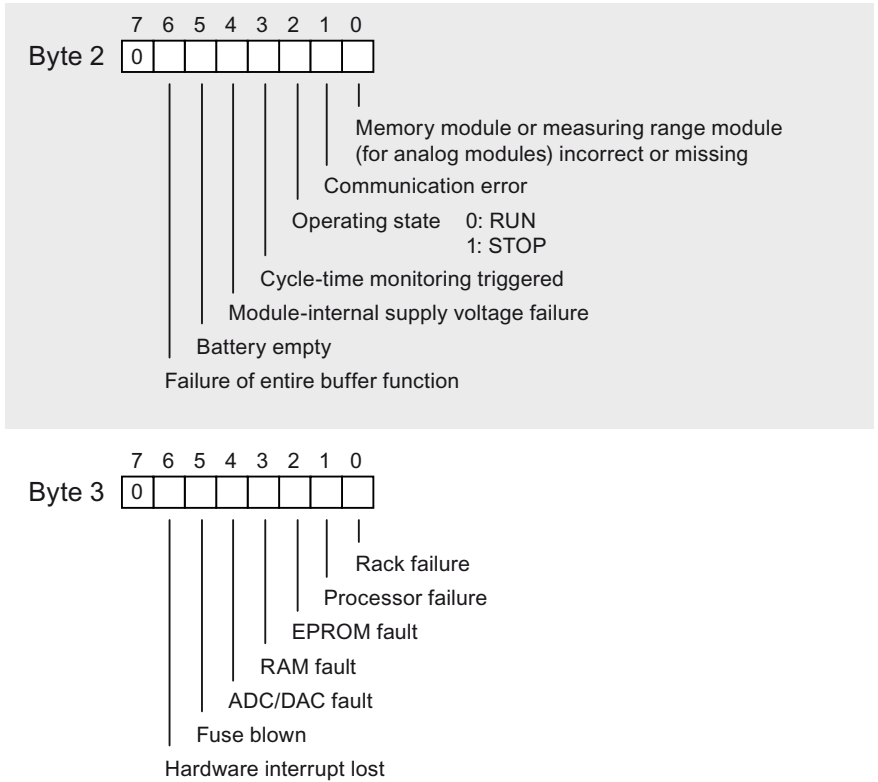
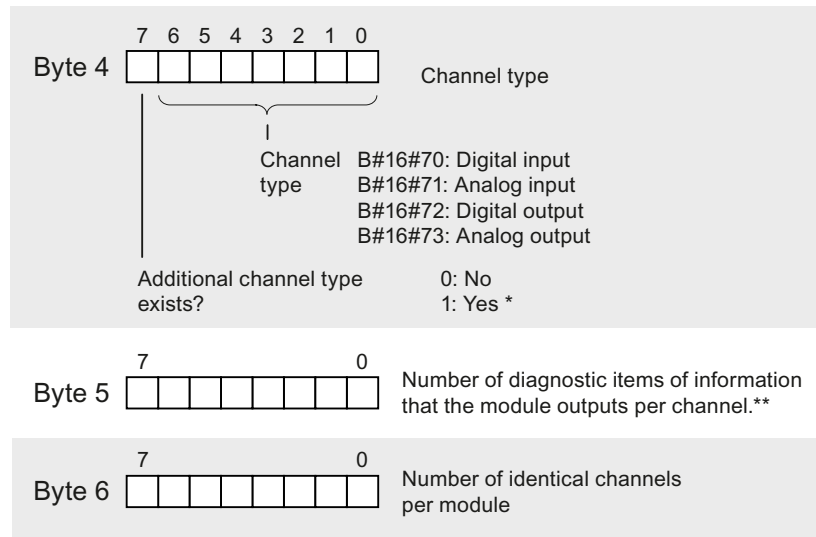


Figure B-2 Bytes 2 and 3 of diagnostics data

### Bytes 4 to 6 info block (data record 1)

Bytes 4 to 6 form the info block, which contains information relating to the channel type, the length of the diagnostic information, and the number of channels.



- \* When an additional channel type exists (bit 7 of the channel type = 1), the next channel type follows in data record 1, starting with the data type directly after the channel specific diagnostics data of the previous channel type.
- \*\* The number of bytes that are used per channel for the channel specific diagnostics data, corresponds to the number of bits specified here.

Figure B-3 Bytes 4 to 6 of diagnostics data

### Byte 7 channel fault vector and up (data record 1)

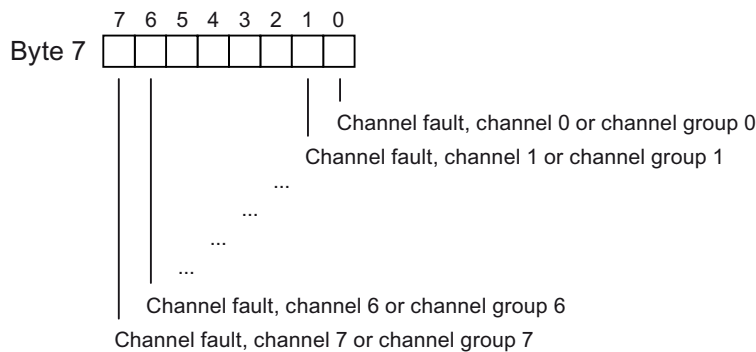


Figure B-4 Byte 7 of diagnostics data

The channel fault vector is at least 1 byte long. For modules with more than 8 channels, the channel fault vector occupies several bytes.

The channel-specific diagnostics data comes after the channel fault vector; refer to section Channel-specific diagnostics data (Page 487).

If another channel type is available (see Figure "Bytes 4 to 6 of diagnostics data"), the channel type with the same structure as that described above (channel type, length of diagnostics data, number of channels of the same type, channel fault vector, channel-specific diagnostics data of the channel type) follows after the channel-specific diagnostics data.

## B.3 Channel-specific diagnostics data

### Introduction

The channel-specific diagnostic data follow the channel error vector. The number of bytes used per channel for channel-specific diagnostics depends on the number of bits entered in byte 5 "Length of the diagnostic information".

The following figures show the assignment of the diagnostic byte for a channel or a channel group of the special module. The following generally applies: When an error occurs, the corresponding bit is set to "1".

A description of possible causes of the fault and corresponding corrective measures can be found in the section "Diagnostics of the modules".

### Digital input channel of the SM 321; DI 16 x 24 V DC; with process and diagnostic interrupt

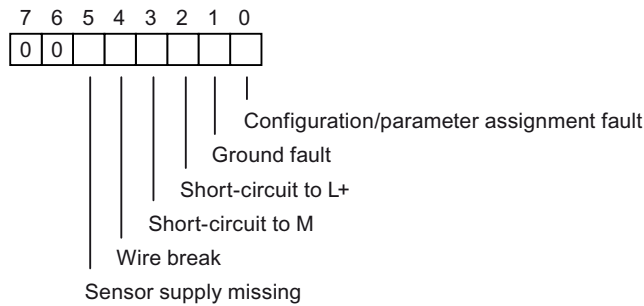


Figure B-5 Diagnostic byte for a digital input channel der SM 321; DI 16 x DC 24 V

### Digital output channel of the SM 322; DO DC 8 x 24 V/0.5 A; with diagnostic interrupt

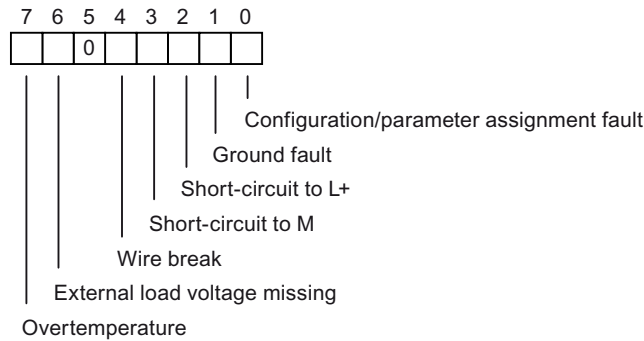


Figure B-6 Diagnostic byte for a digital output channel of the SM 322; DO DC 8 x 24 V/0.5 A

### Analog input channel of the SM 331 module with diagnostic capability

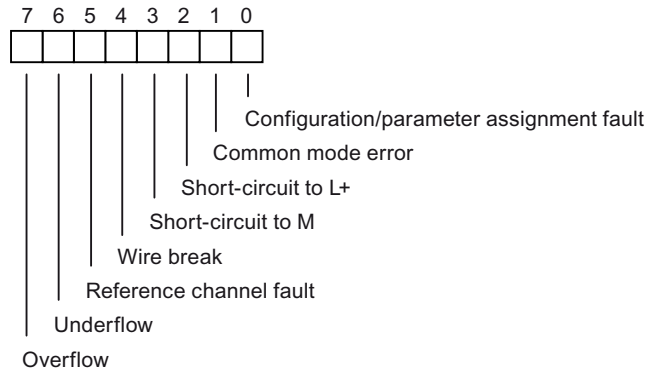


Figure B-7 Diagnostic byte for an analog input channel of an SM 331 with diagnostic capability

### Analog output channel of the SM 332 module with diagnostic capability

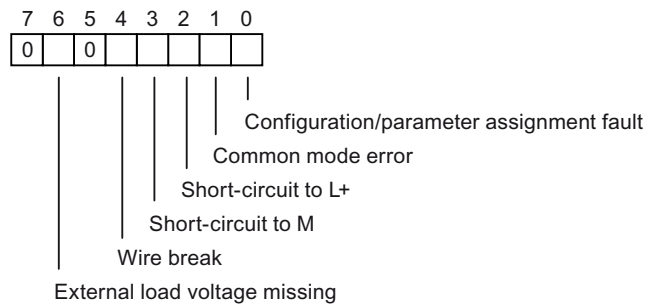


Figure B-8 Diagnostic byte for an analog output channel of an SM 332 with diagnostic capability

## B.4 Diagnosis data from the SM 322; DO 16 x DC24 V/0.5 A (6ES7322-8BH10-0AB0)

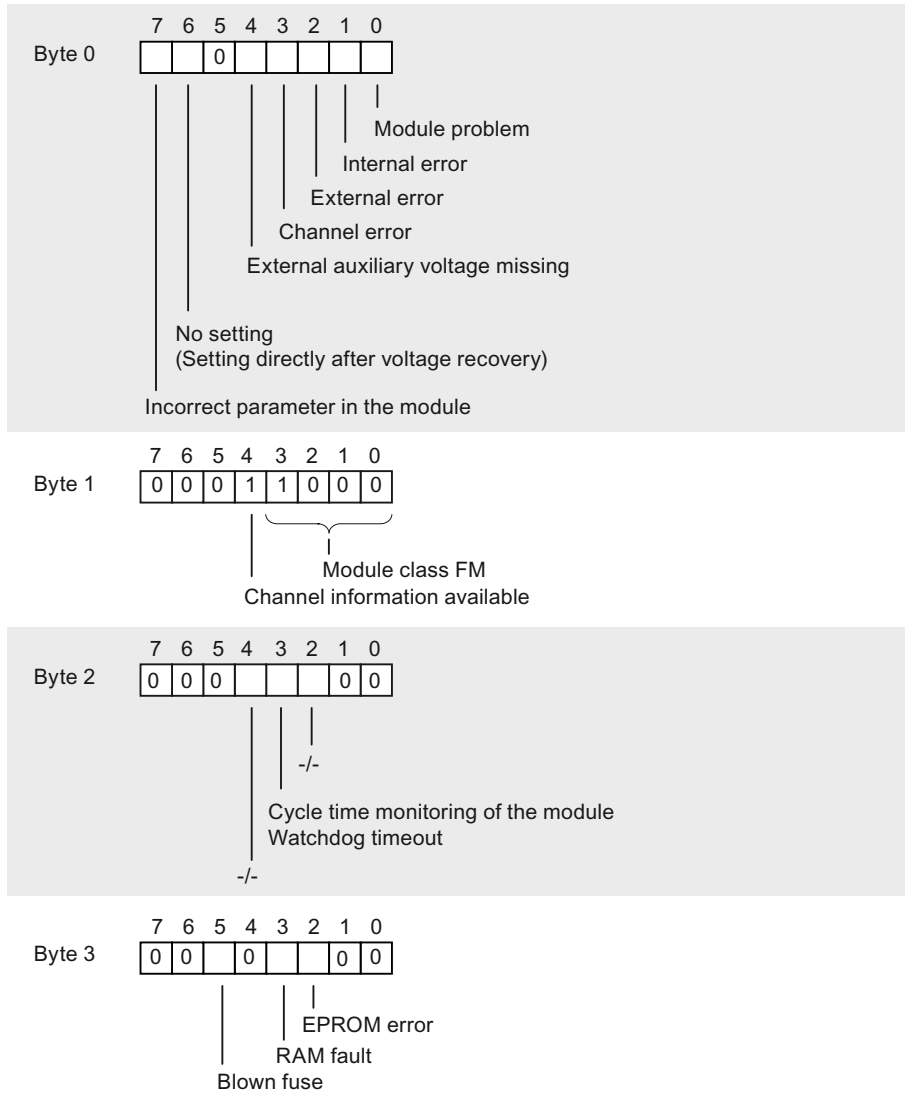
### Introduction

The section below describes the structure and content of the various bytes in diagnostics data. In the bytes 0...3, module errors are reported - errors that affect the entire module. Starting at byte 4, channel-specific errors are reported.

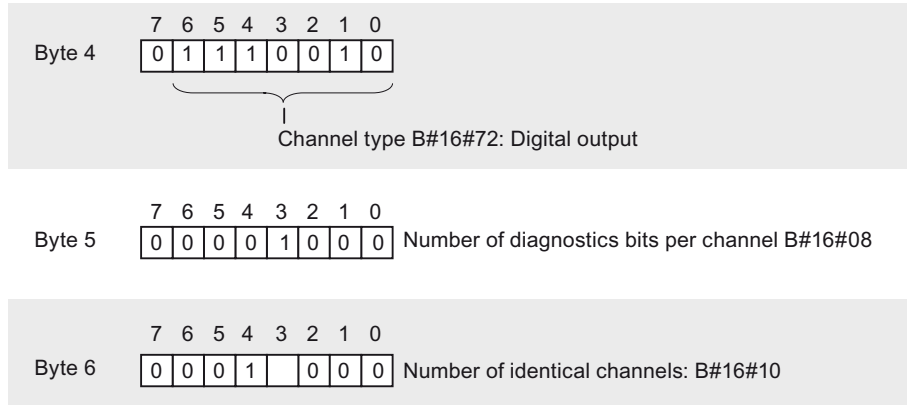
General rule: A fault is indicated by a logic "1" at the relevant bit.

**Byte 0 to byte 3 (diagnostic data records 0 and 1)**

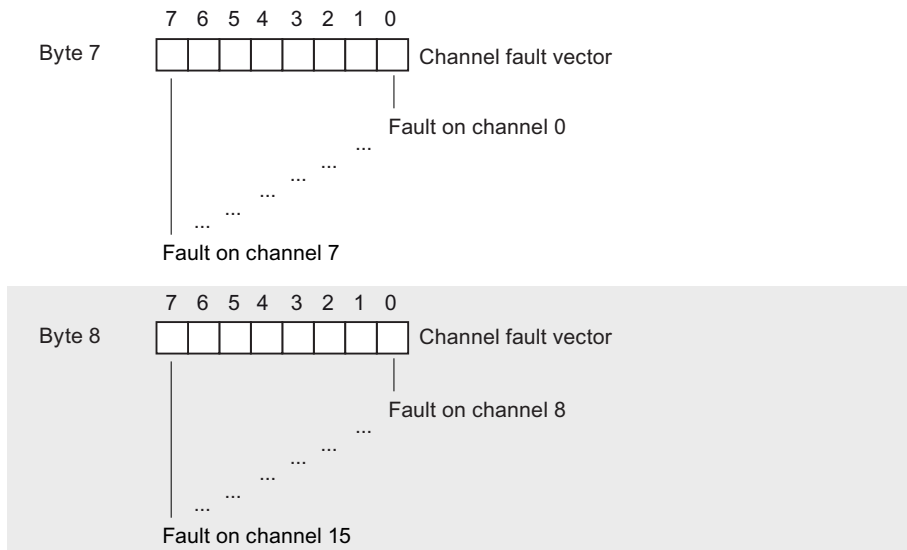
Through entries in the diagnostic bytes byte 0 (bit 4...7) byte 2 and byte 3, module errors are reported, which cannot be turned off through the setting of the module.



**Byte 4 to byte 6 infoblock (diagnostic data record 1)**

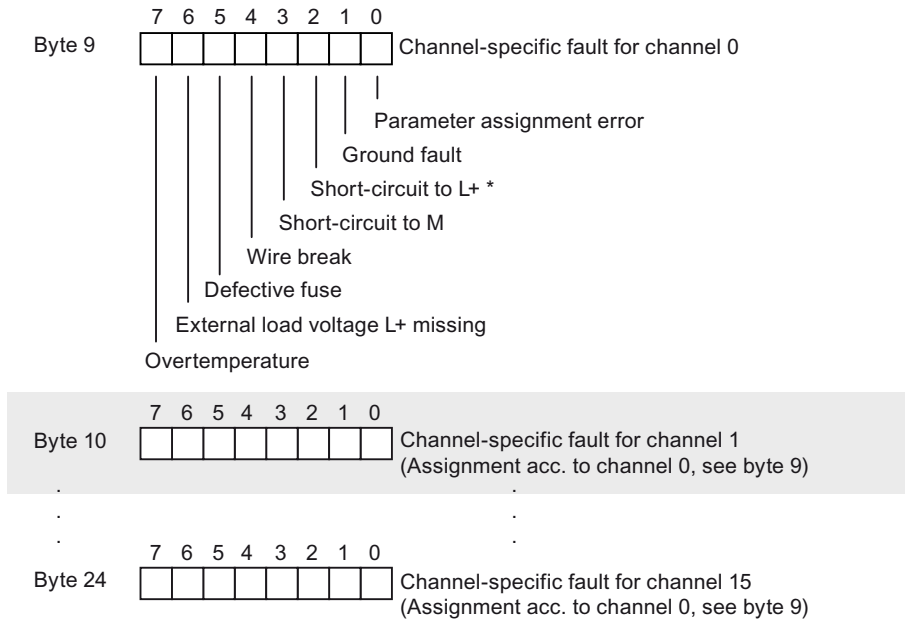


**Byte 7 and 8 channel error vector (Diagnostic data record 1)**



**Byte 9 to byte 24 cable diagnostics (diagnostic data record 1)**

Through byte 9 to byte 24 channel-specific errors are reported.



\* Not with redundant use

**B.5 Diagnostics data of SM 331; AI 6 x TC isolated**

**Introduction**

The section below describes the structure and content of the various bytes in diagnostics data. General rule: A fault is indicated by a logic "1" at the relevant bit.



Byte 0 to byte 3 (diagnostic data records 0 and 1)

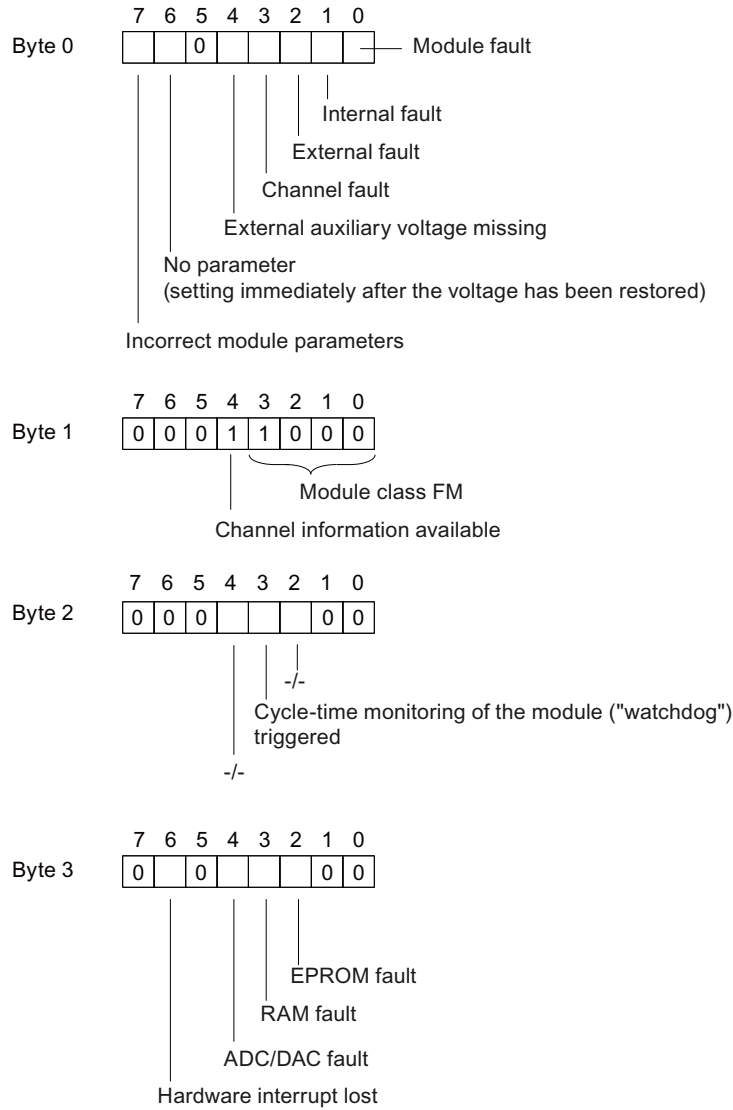


Figure B-9 Diagnostic data records 0 and 1

**Byte 4 to byte 13 (diagnostic data record 1)**

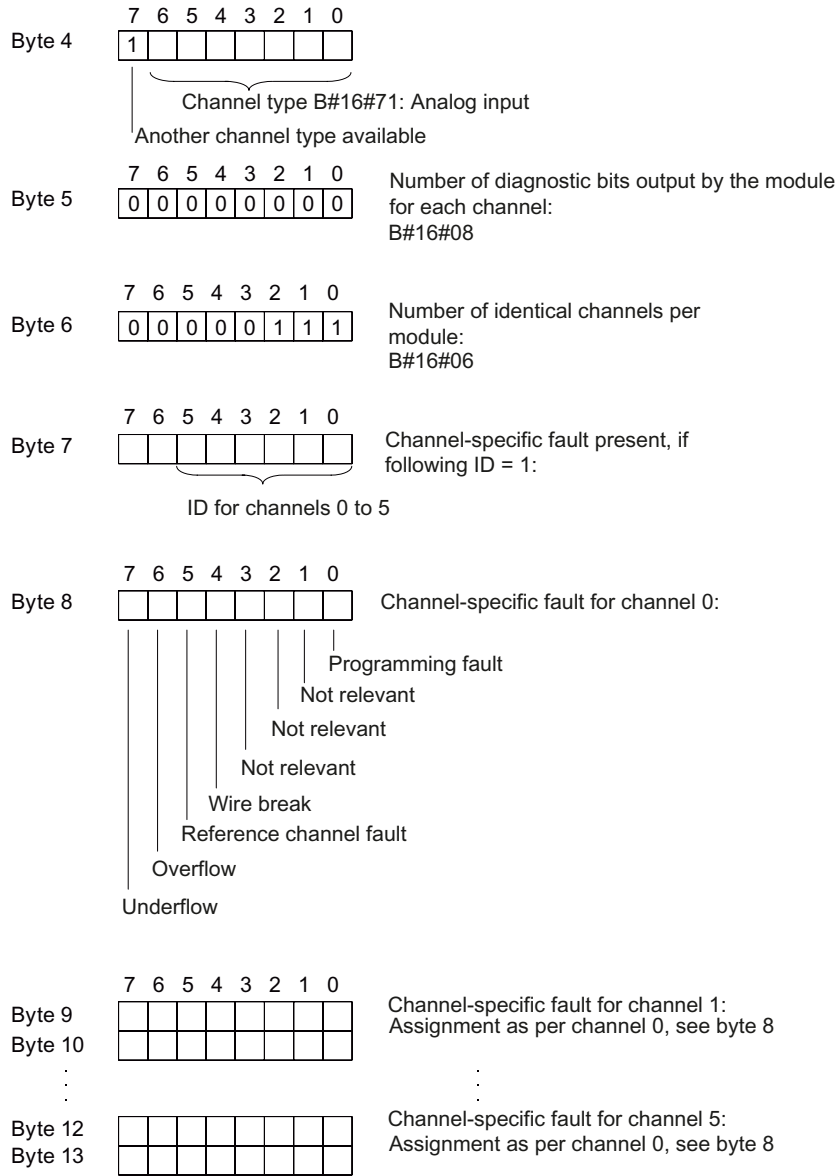


Figure B-10 Diagnostic data record 1

**Byte 14 to byte 23 (diagnostic data record 1)**

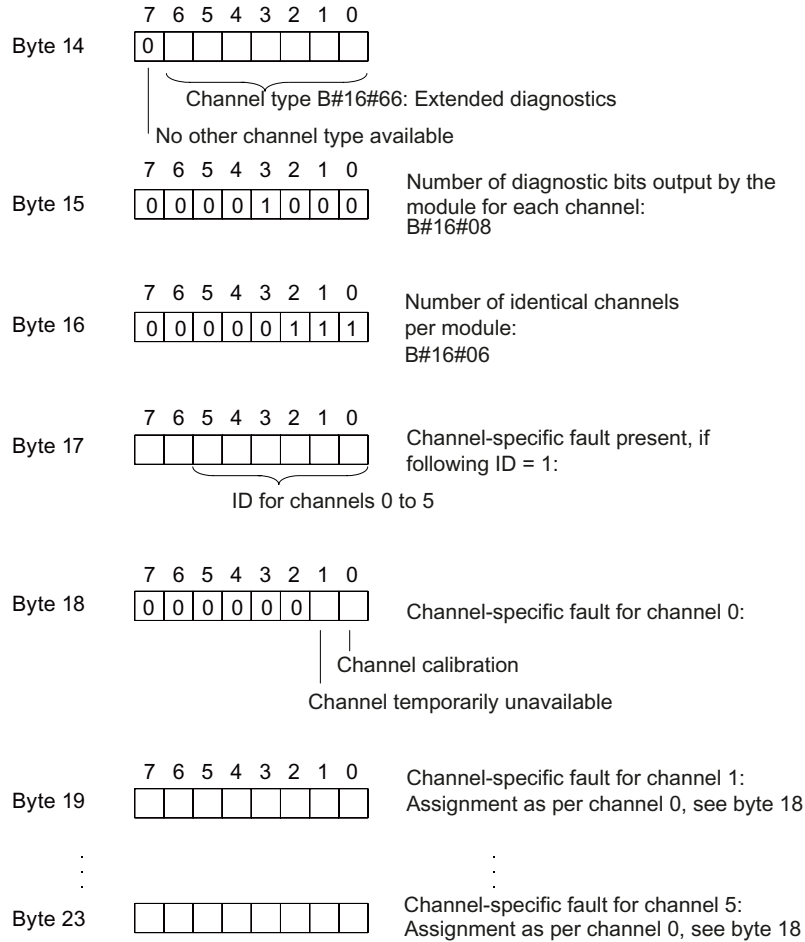


Figure B-11 Diagnostic data record 1 (continued)

## B.6 Diagnostics data of SM 338; POS-INPUT

### Introduction

The next section describes the structure and contents of the various bytes in diagnostic data of the position detection module SM 338; POS-INPUT. General rule: A fault is indicated by a logic "1" at the relevant bit.

You will find a description of possible causes of problems and appropriate remedies in the section titled *Position detection module SM 338; POS-INPUT*.

**Bytes 0 and 1**

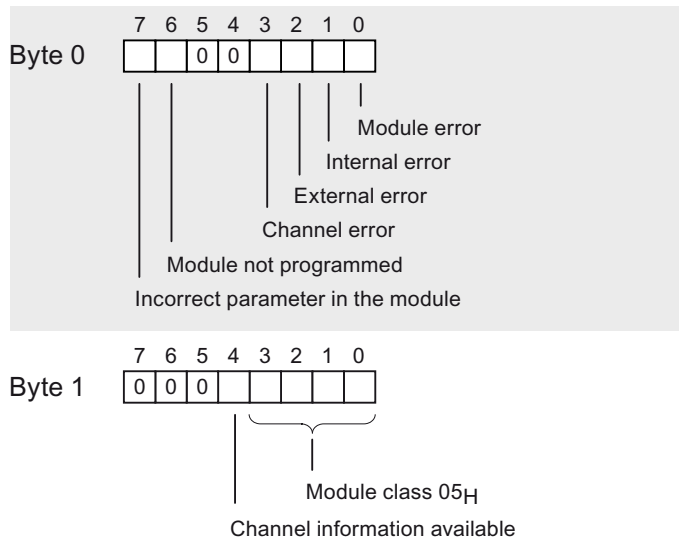


Figure B-12 Bytes 0 and 1 in diagnostics data of SM 338; POS-INPUT

**Bytes 2 to 7**

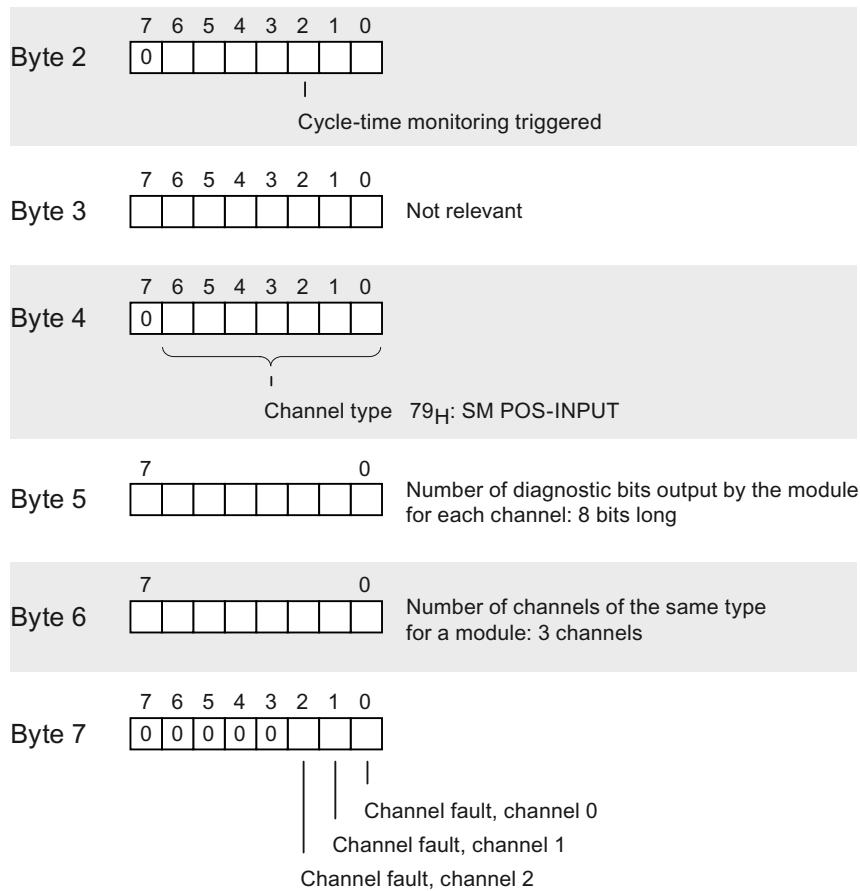


Figure B-13 Bytes 2 and 7 in diagnostics data of SM 338; POS-INPUT

## Bytes 8 to 10

Data record 1 contains the channel-specific diagnostic data, starting at bytes 8 to 10. The figure below shows the assignment of the diagnostic byte for a channel of SM 338; POS-INPUT.

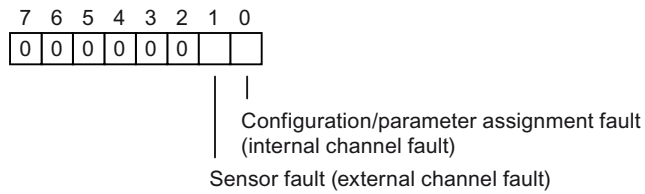


Figure B-14 Diagnostics byte for a channel of SM 338; POS-INPUT

# Dimensional drawings

## Introduction

This appendix contains the dimensional drawings of the most important components of an S7-300. The specified dimensions are required to determine the dimensions of an S7-300 configuration. Make allowances for the dimensions of an S7-300 configuration when you install the system in cabinets, control rooms, etc. This appendix does not include the dimensional drawings of S7-300 or M7-300 CPUs, or of IM 153-1. These are included in the relevant manuals.

## Contents

This appendix contains the dimensional drawings of the S7-300 components listed below.

- Mounting rails
- Power supply modules
- Interface modules
- Signal modules
- Accessories

## C.1 Dimensional drawings of the mounting rails

### Standard mounting rail 483 mm

The figure below shows the dimensional drawing of the 483 mm standard rail.

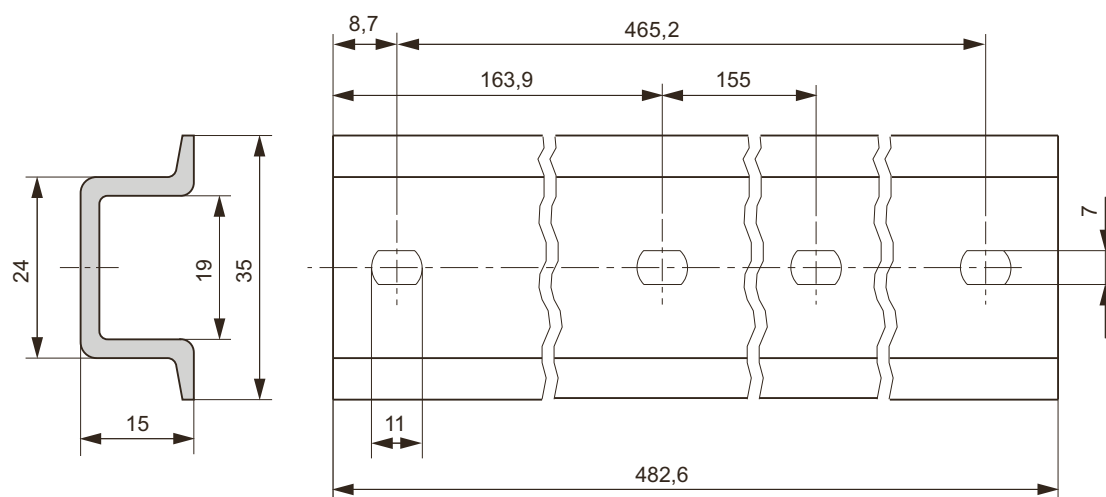


Figure C-1 Dimensional drawing of the 483 mm standard rail

### Standard mounting rail 530 mm

The figure below shows the dimensional drawing of the 530 mm standard rail.

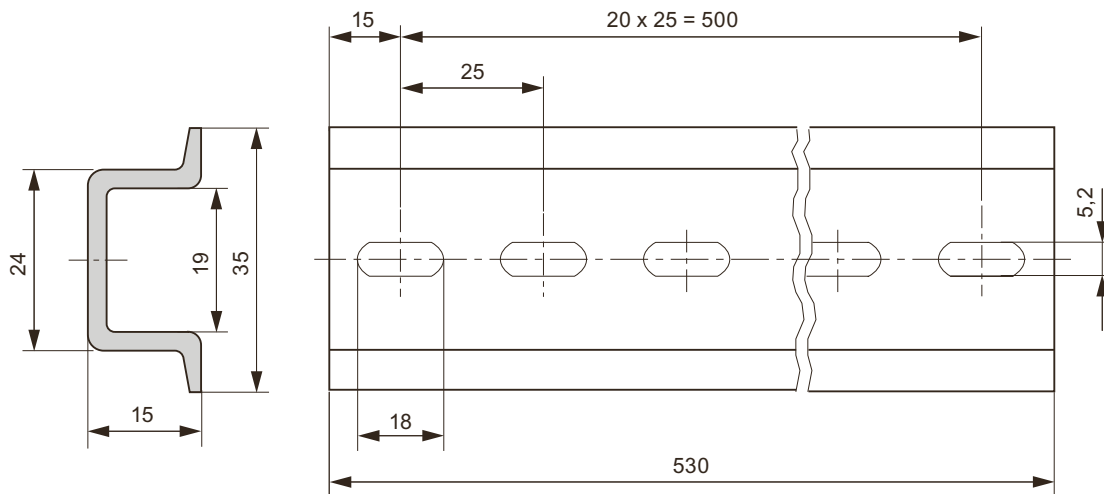


Figure C-2 Dimensional drawing of the 530 mm standard rail

### Standard mounting rail 830 mm

The figure below shows the dimensional drawing of the 830 mm standard rail.

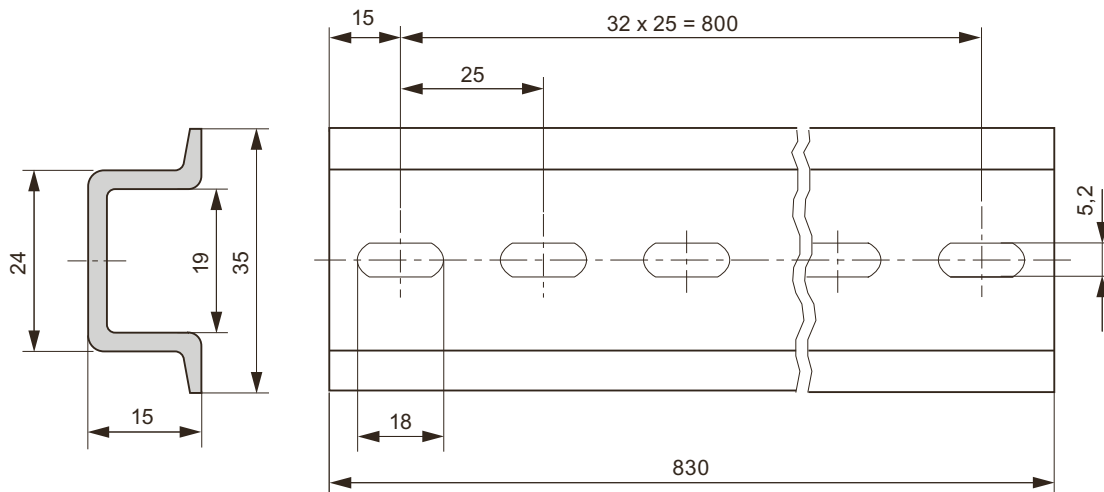


Figure C-3 Dimensional drawing of the 830 mm standard rail

### Standard mounting rail 2000 mm

The figure below shows the dimensional drawing of the 2000 mm standard rail.

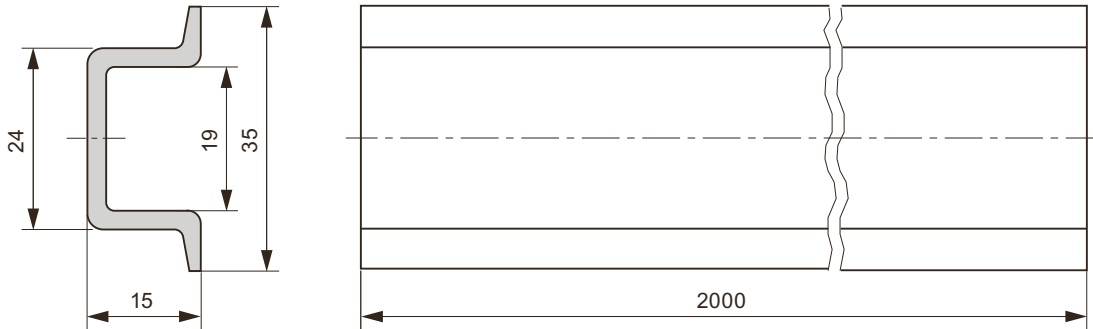


Figure C-4 Dimensional drawing of the 2000 mm standard rail

### Mounting rail 160 mm

The figure below shows the dimensional drawing of the 160 mm mounting rail.

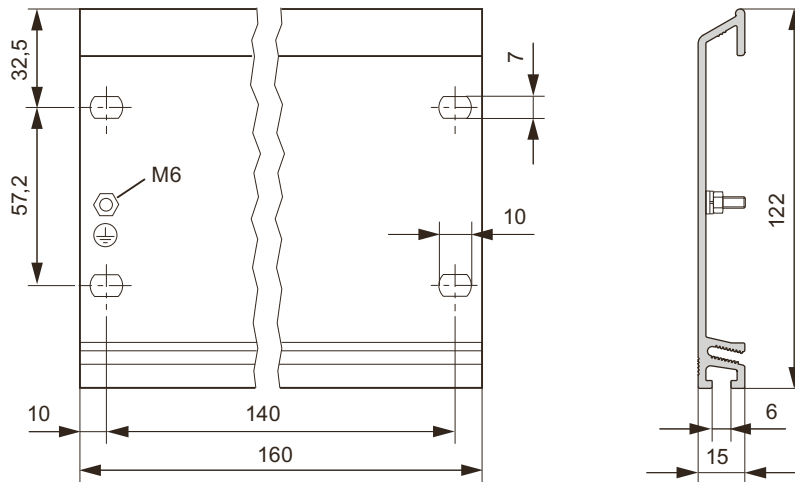


Figure C-5 Dimensional drawing of the mounting rail with standard width of 160 mm.



### Mounting rail 482.6 mm

The figure below shows the dimensional drawing of the 482.6 mm mounting rail.

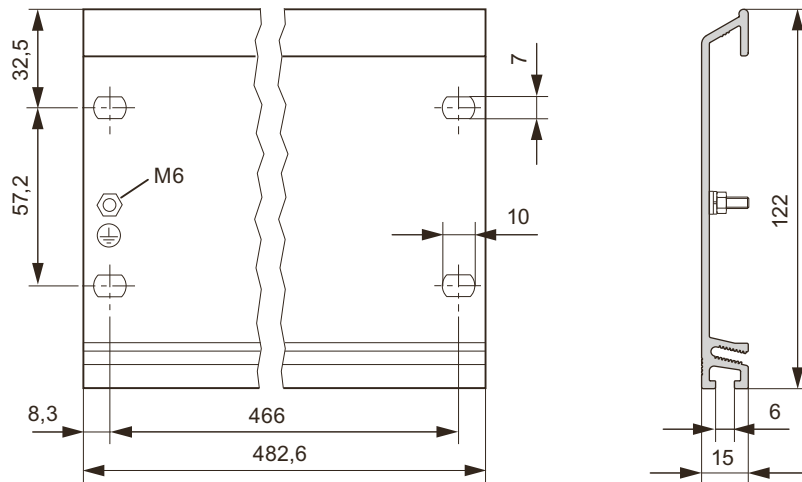


Figure C-6 Dimensional drawing of the mounting rail with standard width of 482.6 mm.

### Mounting rail 530 mm

The figure below shows the dimensional drawing of the 530 mm mounting rail.

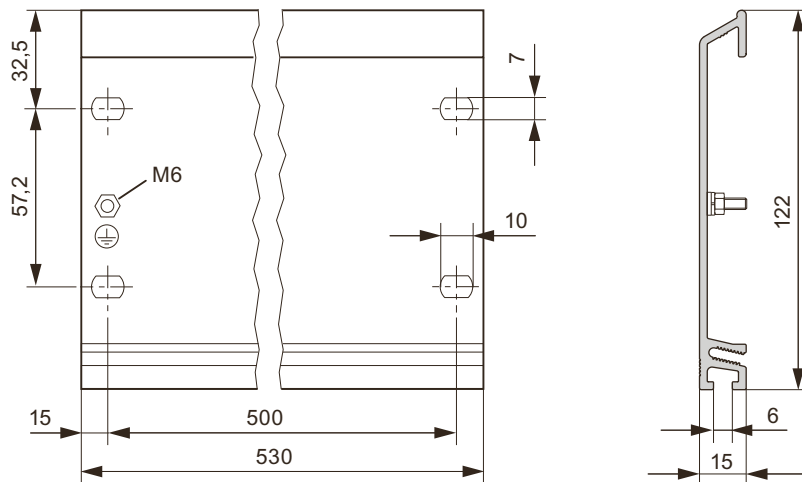


Figure C-7 Dimensional drawing of the mounting rail with standard width of 530 mm.

### Mounting rail 830 mm

The figure below shows the dimensional drawing of the 830 mm mounting rail.

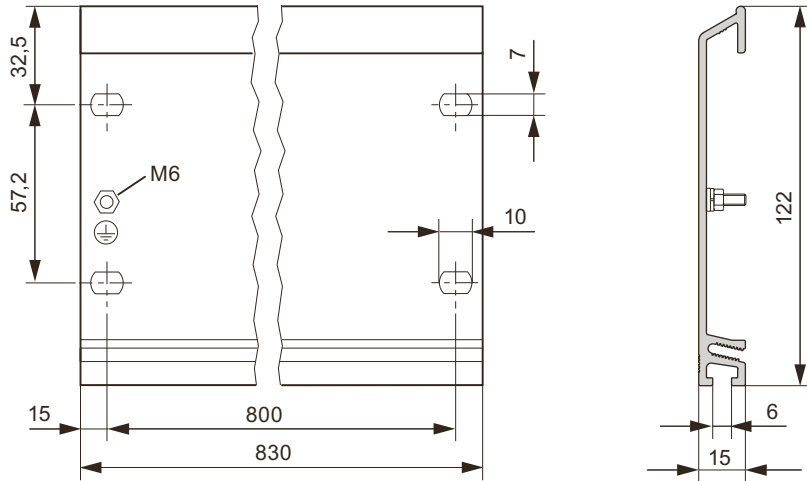


Figure C-8 Dimensional drawing of the mounting rail with standard width of 830 mm.

### Mounting rail 2000 mm

The figure below shows the dimensional drawing of the 2000 mm mounting rail.

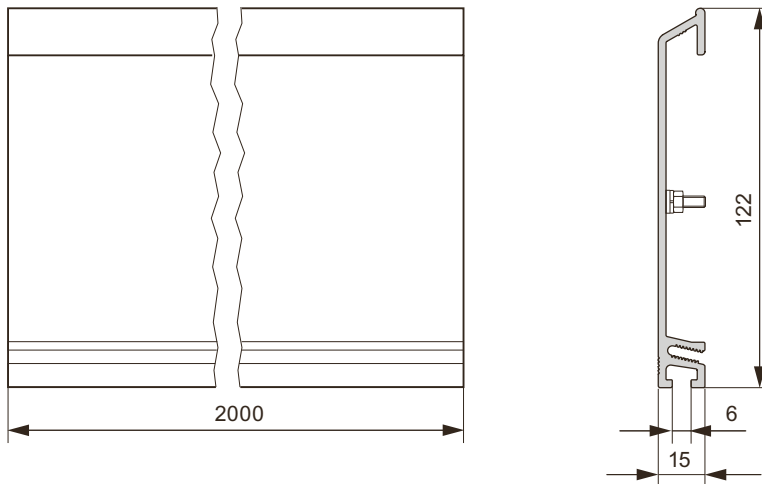
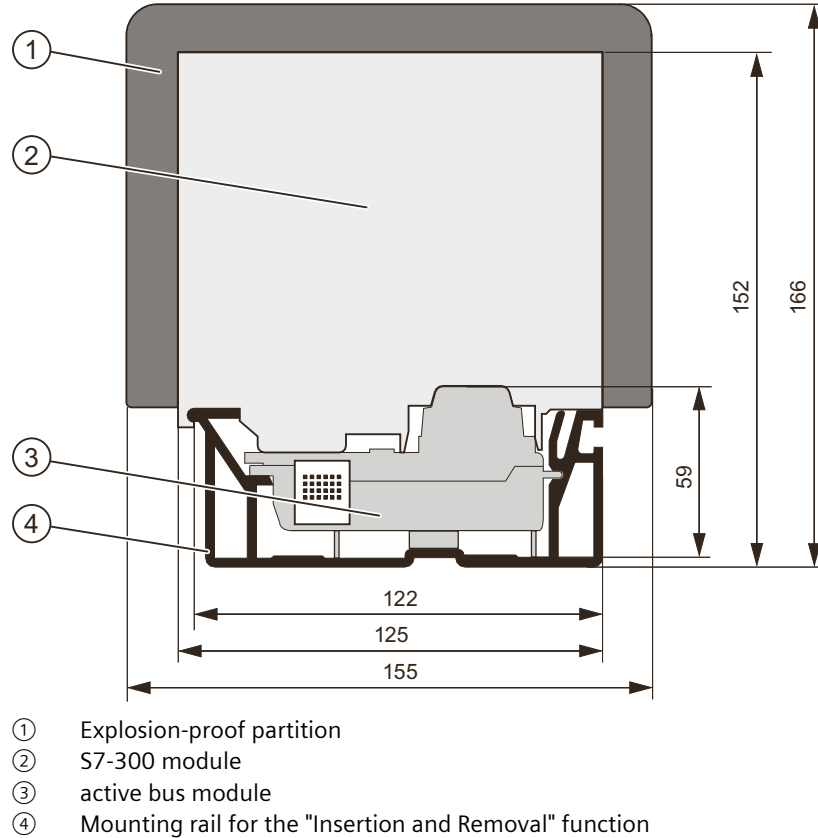


Figure C-9 Dimensional drawing of the 2000 mm mounting rail

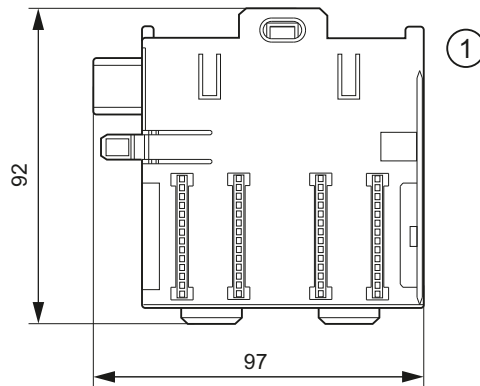
### Mounting rail for the "Insertion and Removal" function

The figure below shows the dimensional drawing of the mounting rail for the "Insertion and Removal" function with active bus module, S7-300 module and explosion-proof partition. The mounting rail has a length of 482.6 mm or 530 mm.



C.1.1 Bus modules

The figure below shows the dimension drawing of the active bus module for the "Insertion and Removal" function.



- ① Bus modules
- BM PS/IM (...7HA)
- BM IM/IM (...7HD)
- BM 2 x 40 (...7HB)
- BM 1 x 80 (...7HC)

C.2 Dimensional drawings of the power supply modules

PS 307 2 A

The drawing below shows the dimensions of power supply module PS 307; 2 A.

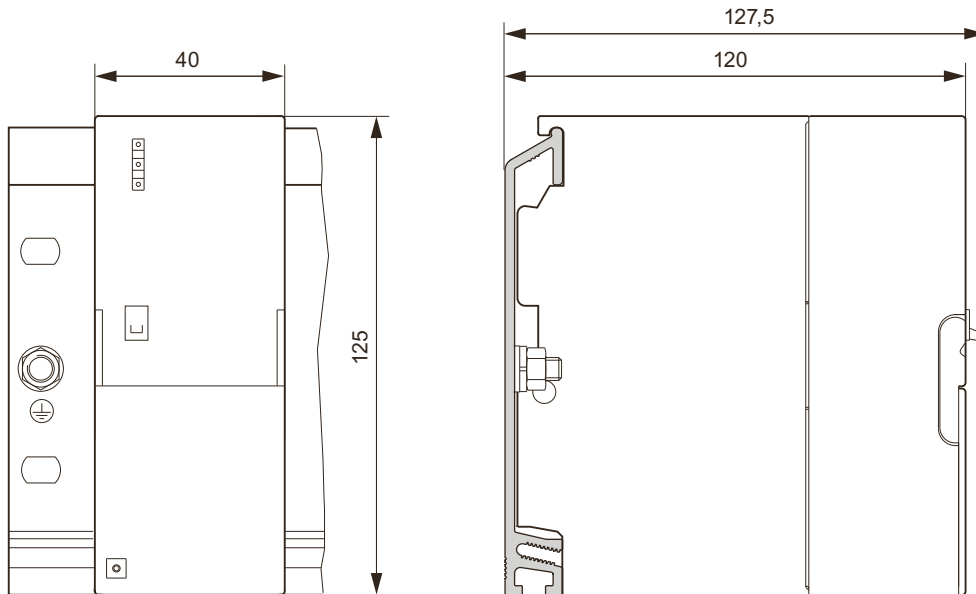


Figure C-10 Power supply module PS 307; 2 A

**PS 307 5 A (6ES7307-1EA01-0AA0)**

The drawing below shows the dimensions of power supply module PS 307; 5 A.

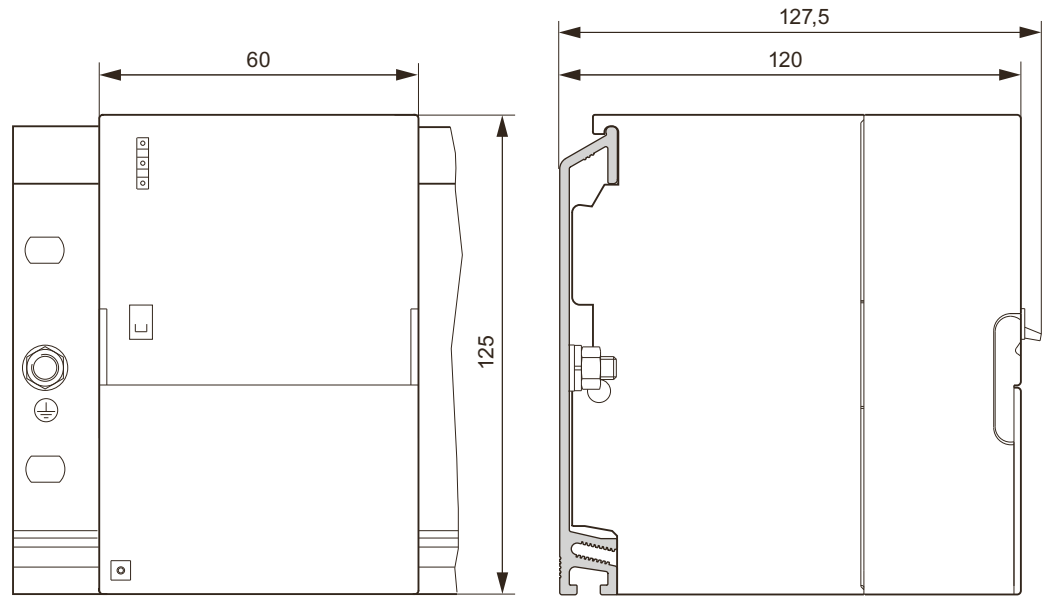


Figure C-11 Power supply module PS 307; 5 A

**PS 307; 10 A with 313/314/315/ 315-2 DP CPU**

The figures below show the dimensional drawings of a configuration consisting of a power supply module PS 307; 10 A and a 313/314/315/315-2 DP CPU. Observe the dimensions derived from the use of a power connector when wiring the PS 307; 10 A to the CPU.

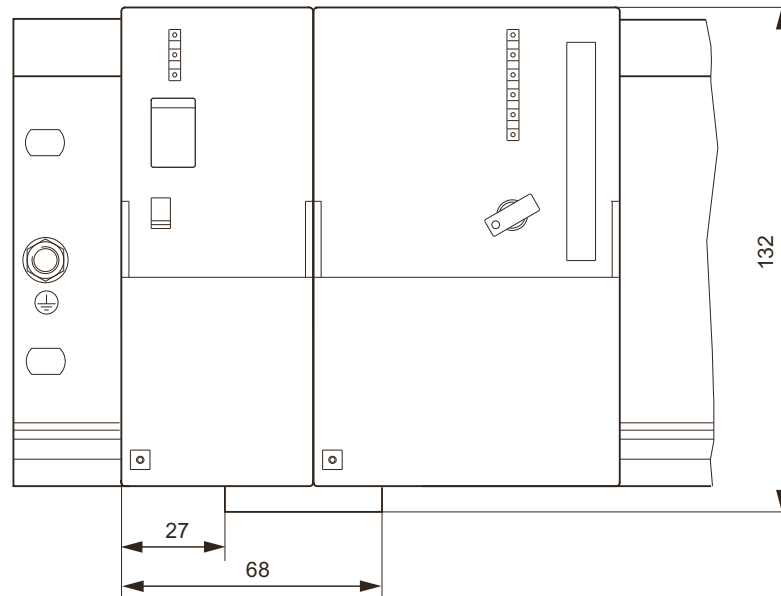


Figure C-12 Dimensional drawing of power supply module PS 307; 10 A with CPU 313/314/315/315-2 DP, front view

**PS 307; 10 A with 313/314/315/ 315-2 DP CPU**

The side view drawing below shows the dimensions of power supply module PS 307; 10 A with 313/314/315/315-2 DP CPU.

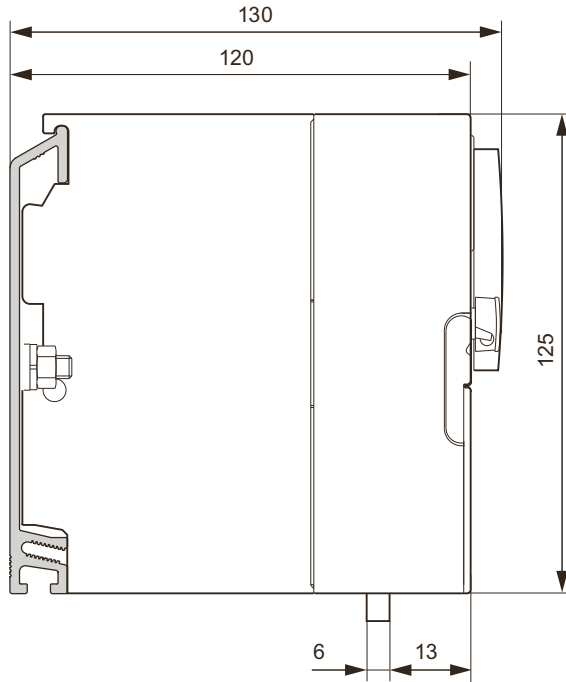


Figure C-13 Dimensional drawing power supply module PS 307; 10 A with CPU 313/314/315/315-2 DP, side view

**PS 305 2 A, PS 307 5 A (6ES7307-1EA80-0AA0) and PS 307 10 A**

The following image shows the drawing of the power supply modules PS 305; 2 A, PS 307 5 A and PS 307; 10 A.

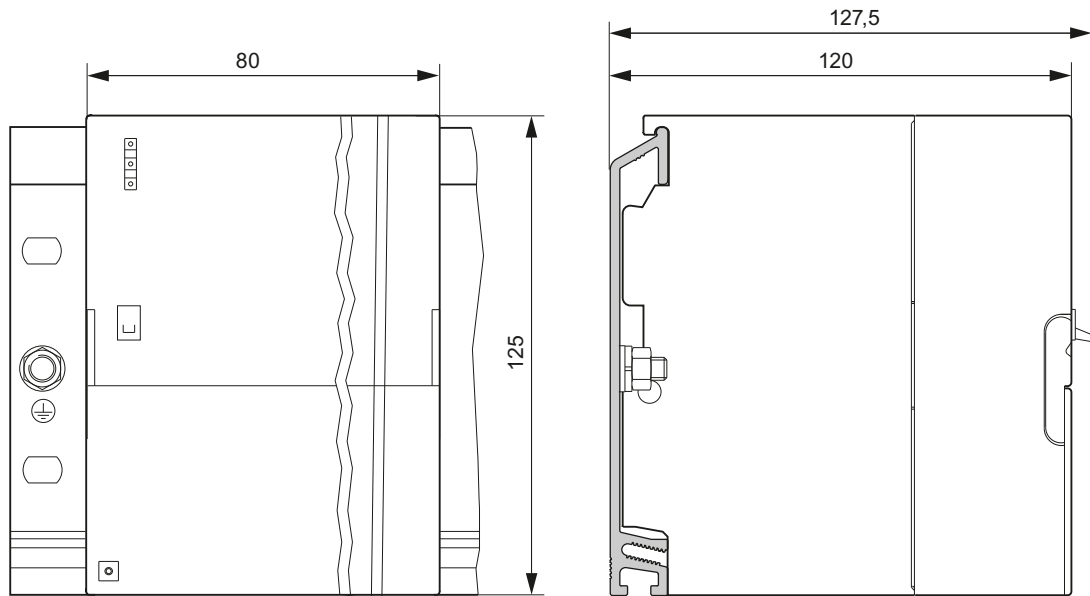


Figure C-14 Power supply module PS 307; 10 A

### C.3 Dimensional drawings of the interface modules

#### IM 360

The figure below shows the dimensional drawing of interface module IM 360.

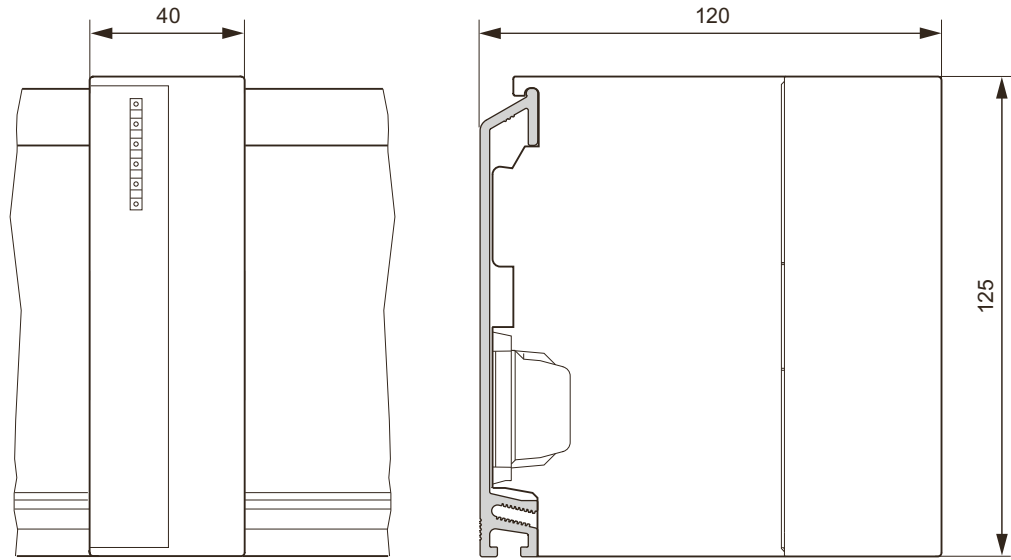


Figure C-15 Interface module IM 360

#### IM 361

The figure below shows the dimensional drawing of interface module IM 361.

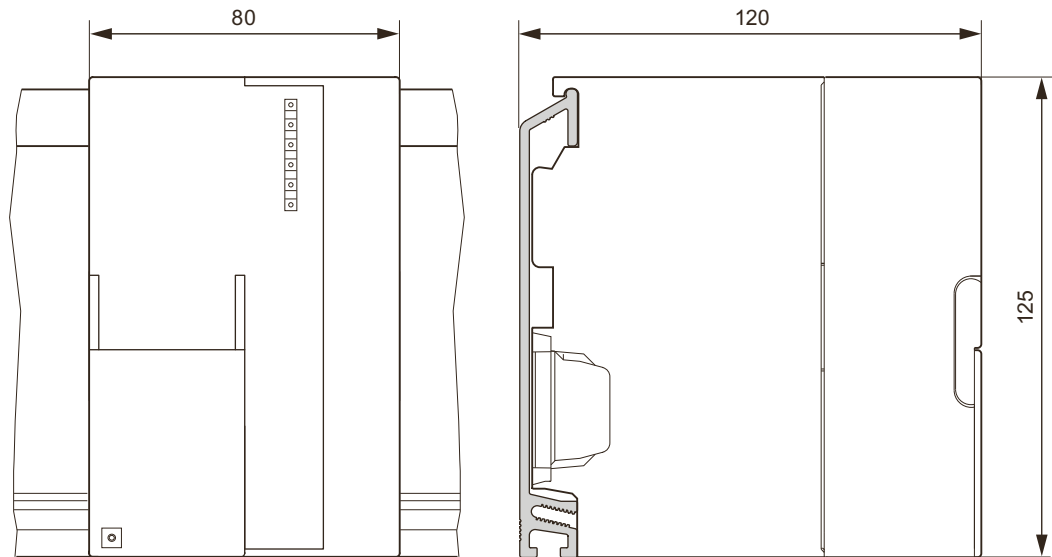


Figure C-16 Interface module IM 361

**IM 365**

The figure below shows the dimensional drawing of interface module IM 365.

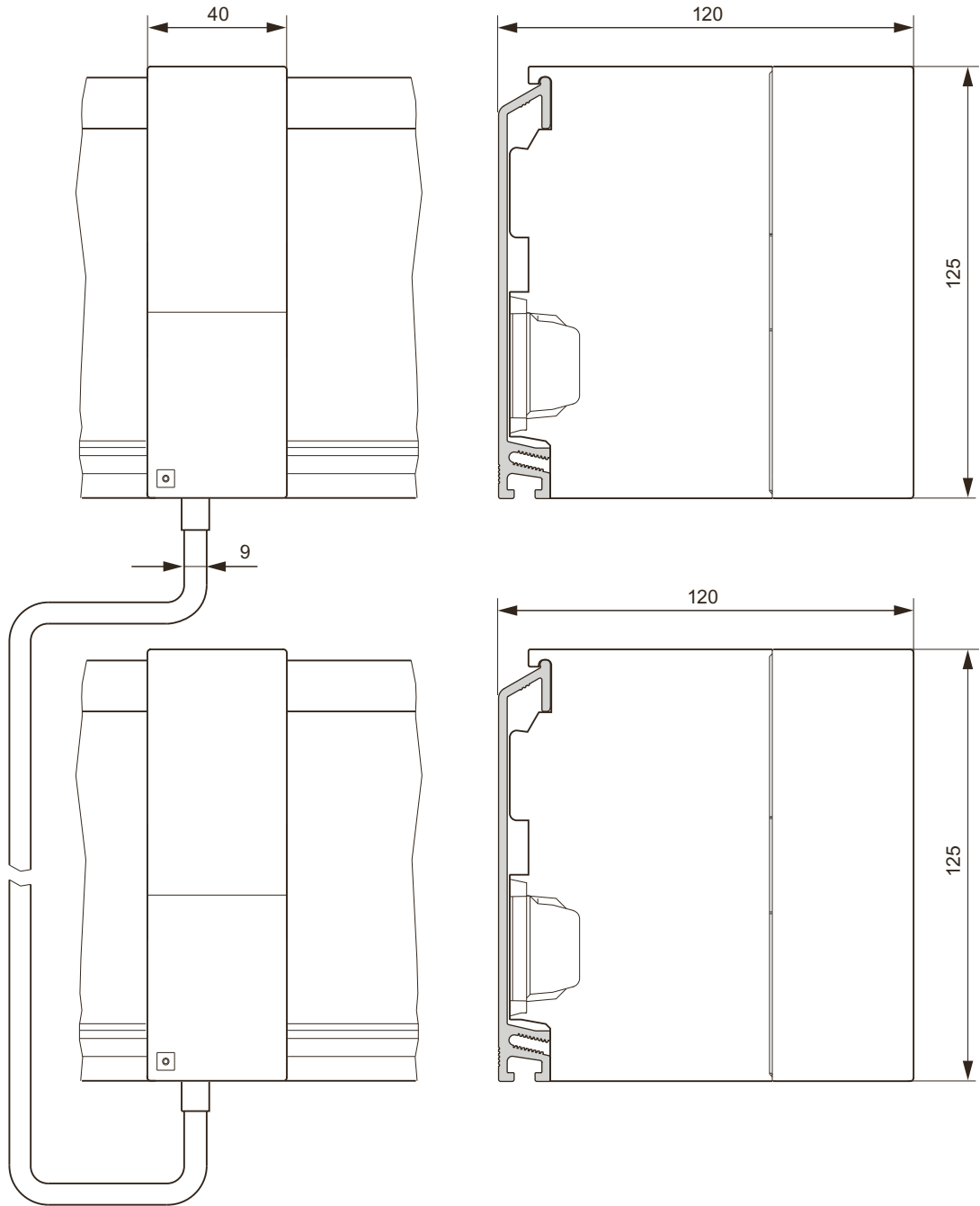


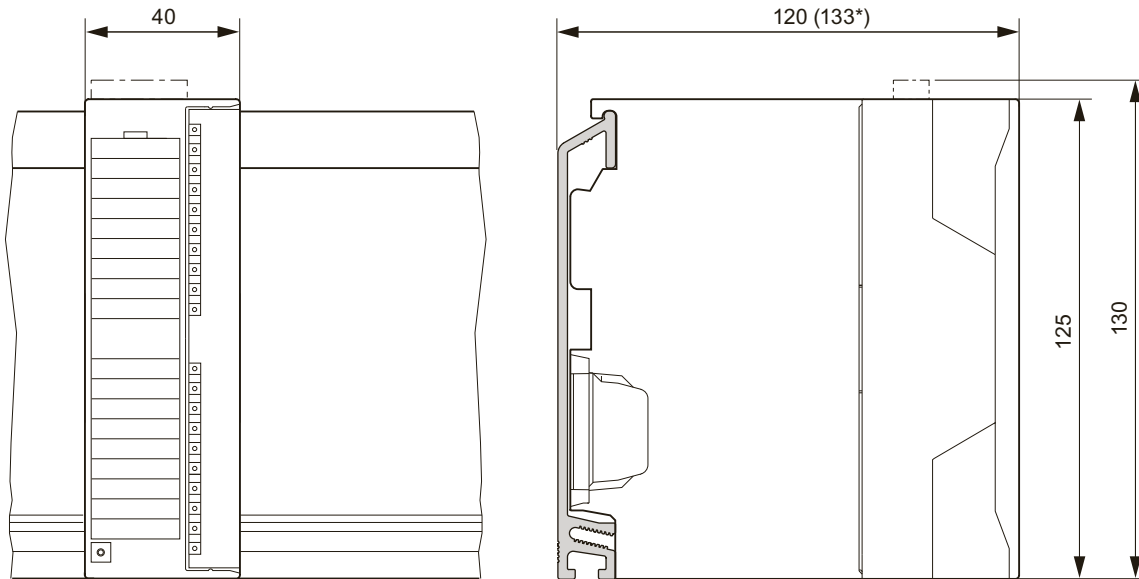
Figure C-17 Interface module IM 365



## C.4 Dimensional drawings of the signal modules

### Signal module

The figure below shows the dimensional drawing of the signal module.  
The signal module design may differ. The specified dimensions are always the same.



\* With front door, elevated design

Figure C-18 Signal module

### 64-channel signal module

The figure below shows the dimension drawing for 64-channel I/O modules.

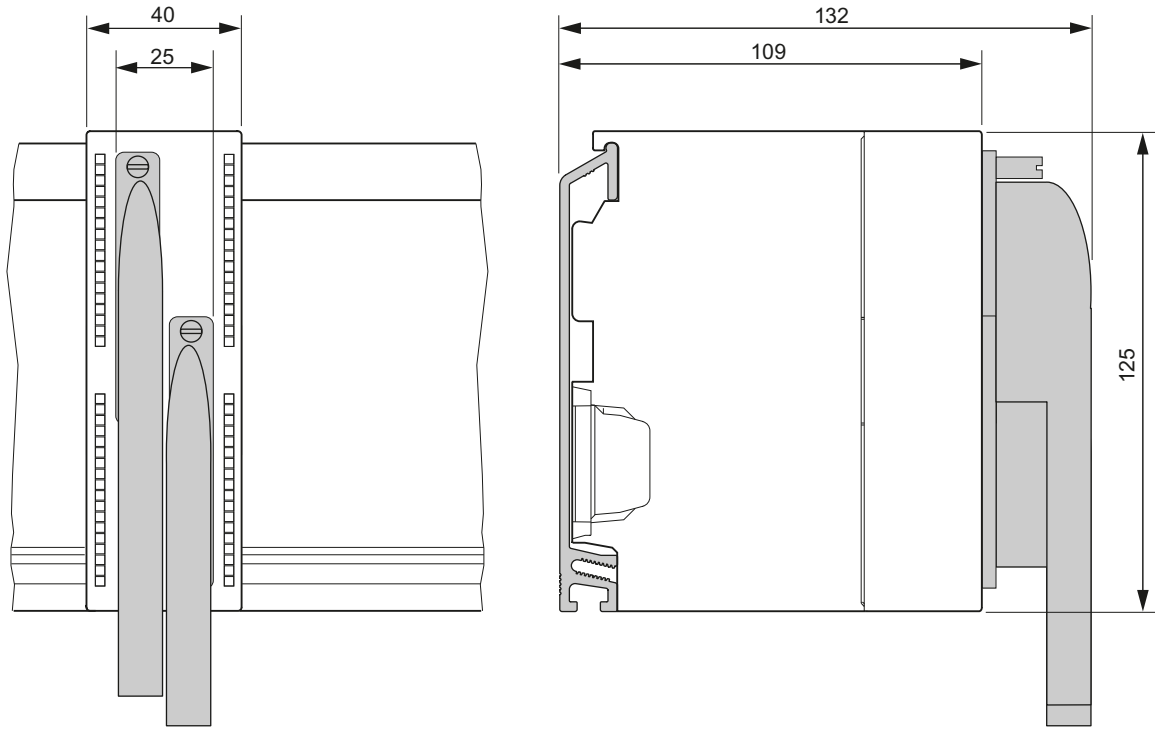


Figure C-19 64-channel signal module

## C.5 Dimensional drawings of accessories

### Shield connection element

The figure below shows the dimensional drawing of the shield connecting element used two signal modules.

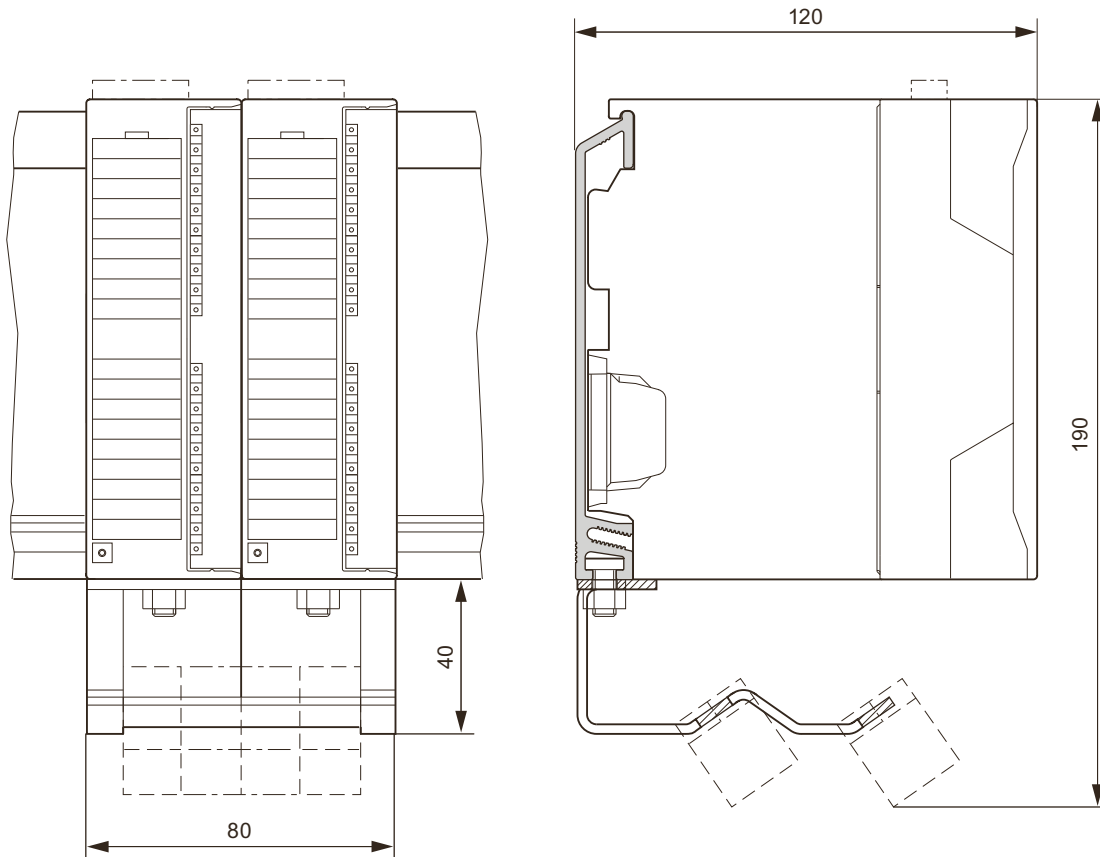


Figure C-20 2 signal modules with shield connecting element

### 40-pin terminal block

The figure below shows the dimension drawing of the 40-pin terminal block for 64-channel signal modules.

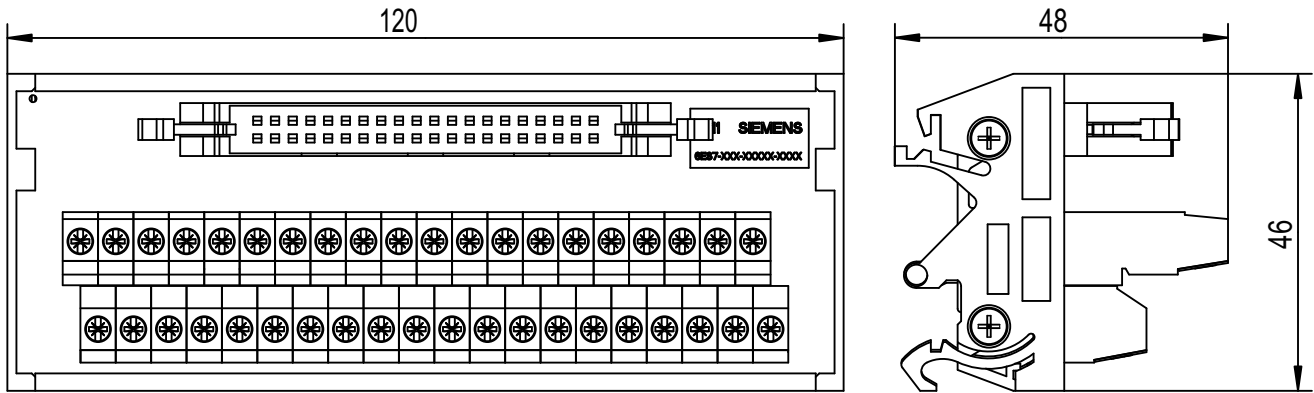


Figure C-21 40-pin terminal block

## Spare parts and accessories for S7-300 modules

### Spare parts

The table below lists the S7-300 parts you can order separately or later.

Table D-1 Accessories and spare parts

S7-300 parts	Order number
Bus connector	6ES7390-0AA00-0AA0
Connection comb between power supply and CPU (older generation, before 2003)	6ES7390-7BA00-0AA0
Labeling strips for <ul style="list-style-type: none"> <li>Modules with 20-pin front connector: <ul style="list-style-type: none"> <li>(petrol)</li> <li>(light beige)</li> <li>(yellow)</li> <li>(red)</li> </ul> </li> </ul>	6ES7392-2AX00-0AA0 6ES7392-2BX00-0AA0 6ES7392-2CX00-0AA0 6ES7392-2DX00-0AA0
Labeling strips for <ul style="list-style-type: none"> <li>Modules with 40-pin front connector: <ul style="list-style-type: none"> <li>(petrol)</li> <li>(light beige)</li> <li>(yellow)</li> <li>(red)</li> </ul> </li> </ul>	6ES7392-2AX10-0AA0 6ES7392-2BX10-0AA0 6ES7392-2CX10-0AA0 6ES7392-2DX10-0AA0
<ul style="list-style-type: none"> <li>Instructions for printing labeling strips using print templates</li> </ul>	On the Internet <a href="http://www.siemens.com/automation/service&amp;support">http://www.siemens.com/automation/service&amp;support</a> Entry ID: 11978022
Slot number plate	6ES7912-0AA00-0AA0
Front connector 20-pin <ul style="list-style-type: none"> <li>Screw terminal technology (1 unit)</li> <li>Screw technology (100 units)</li> <li>Spring clamp technology (1 unit)</li> <li>Spring clamp technology (100 units)</li> </ul>	6ES7392-1AJ00-0AA0 6ES7392-1AJ00-1AB0 6ES7392-1BJ00-0AA0 6ES7392-1BJ00-1AB0
Front connector 40-pin <ul style="list-style-type: none"> <li>Screw technology (1 unit)</li> <li>Screw technology (100 units)</li> <li>Spring clamp technology (1 unit)</li> <li>Spring clamp technology (100 units)</li> </ul>	6ES7392-1AM00-0AA0 6ES7392-1AM00-1AB0 6ES7392-1BM01-0AA0 6ES7392-1BM01-1AB0
Front connector for 2 ribbon cable connections <ul style="list-style-type: none"> <li>screw terminal technology</li> <li>Spring clamp technology</li> </ul>	6ES7921-3AB00-0AA0 6ES7921-3AA00-0AA0
Front connector for 4 ribbon cable connections <ul style="list-style-type: none"> <li>Spring clamp technology</li> </ul>	6ES7921-3AA20-0AA0

S7-300 parts	Order number
Round-sheath ribbon cable (16-pole) <ul style="list-style-type: none"> <li>Unshielded 30 m</li> <li>Unshielded 60 m</li> <li>Shielded 30 m</li> <li>Shielded 60 m</li> </ul>	6ES7923-0CD00-0AA0 6ES7923-0CG00-0AA0 6ES7923-0CD00-0BA0 6ES7923-0CG00-0BA0
Connectors, 16-pin, set of 8 (insulation displacement terminals)	6ES7921-3BE10-0AA0
Shield connection element	6ES7390-5AA00-0AA0
Shield terminal element for <ul style="list-style-type: none"> <li>2 cables, each with a shield diameter of 2 to 6 mm</li> <li>1 cable with a shield diameter of 3 to 8 mm</li> <li>1 cable with a shield diameter of 4 to 13 mm</li> </ul>	6ES7390-5AB00-0AA0 6ES7390-5BA00-0AA0 6ES7390-5CA00-0AA0
Measuring range module for analog modules	6ES7974-0AA00-0AA0
Fuse set for digital output modules <ul style="list-style-type: none"> <li>- 6ES7322-1FF01-0AA0</li> <li>- 6ES7322-1FH00-0AA0</li> <li>- 6AG1322-1FF01-2AA0</li> </ul> (contains 10 fuses and 2 fuse holders)	6ES7973-1HD00-0AA0
Fuse set for digital output module <ul style="list-style-type: none"> <li>6ES7322-1CF00-0AA0 (contains 10 fuses)</li> </ul>	6ES7973-1GC00-0AA0
Connecting cable for IM 360 and IM 361, or IM 361 and IM 361 <ul style="list-style-type: none"> <li>1 m</li> <li>2.5 m</li> <li>5 m</li> <li>10 m</li> </ul>	6ES7368-3BB01-0AA0 6ES7368-3BC51-0AA0 6ES7368-3BF01-0AA0 6ES7368-3CB01-0AA0
Connecting cable between the 64-channel modules: SM 321, 6ES7321-1BP00-0AA0 sinking/sourcing, SM 322, 6ES7322-1BP00-0AA0 sourcing, SM 322, 6ES7322-1BP50-0AA0 sinking and 40-pin terminal block (screw terminal, spring clamp technology) <ul style="list-style-type: none"> <li>1.0 m</li> <li>2.5 m</li> <li>5.0 m</li> </ul>	6ES7392-4BB00-0AA0 (2 units) 6ES7392-4BC50-0AA0 (2 units) 6ES7392-4BF00-0AA0 (2 units)
Terminal block 40-pin for 64-channel modules <ul style="list-style-type: none"> <li>Screw terminal technology</li> <li>Spring clamp technology</li> </ul>	6ES7392-1AN00-0AA0 (2 units) 6ES7392-1BN00-0AA0 (2 units)
Front door, elevated design for 32-channel modules (5 units) incl. labeling strips and connection diagram	6ES7328-0AA00-7AA0

### Information about front connector selection

You can find more information on front connector selection for the various SIMATIC S7-300 modules on the Internet (<http://support.automation.siemens.com/WW/view/en/23060726>).

# Directive on handling Electrostatic-Sensitive Devices (ESD)



## Introduction

In this appendix, we explain

- the meaning of "electrostatic-sensitive devices"
- the precautions you must take when handling and working with electrostatic sensitive modules.

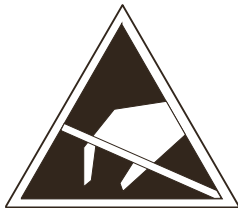
## E.1 Definition of ESD

### Definition

All electronic modules are equipped with large-scale integrated ICs or components. Due to their design, these electronic elements are highly sensitive to overvoltage, and thus to any electrostatic discharge.

These **E**lectrostatic **S**ensitive **D**evices/**M**odules are commonly abbreviated **ESD**. The common international designation **ESD** stands for **E**lectrostatic **S**ensitive **D**evice.

ESD modules are identified by the following symbol:



#### CAUTION

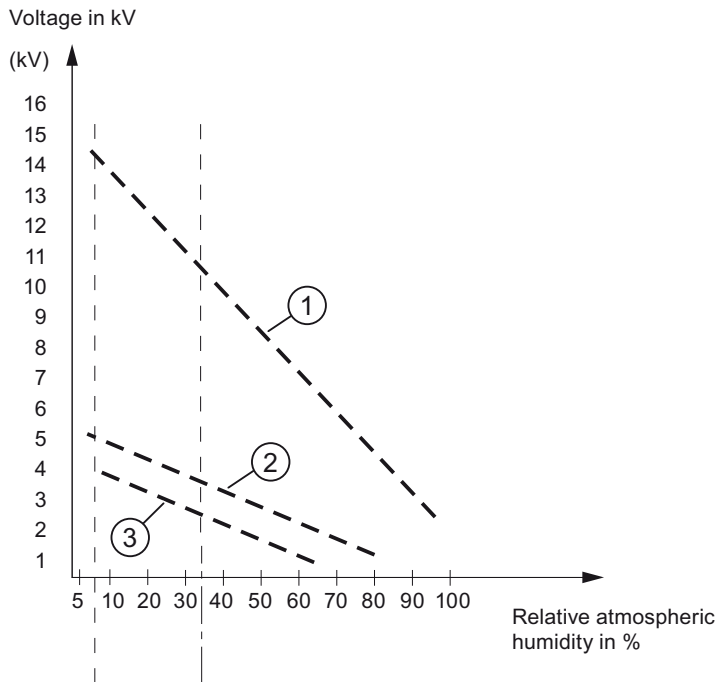
ESD devices can be destroyed by voltages well below the threshold of human perception. These static voltages develop when you touch a component or electrical connection of a device without having drained the static charges present on your body. The electrostatic discharge current may lead to latent failure of a module, that is, this damage may not be significant immediately, but in operation may cause malfunction.

## E.2 Electrostatic charging of the body

### Electrostatic charging

Any person with a non-conductive connection to the electrical potential of its surroundings may be exposed to electrostatic charge.

The figure below shows the maximum electrostatic voltage which may build up on a person coming into contact with the materials indicated. These values correspond to IEC 801-2 specifications.



- ① Synthetic material
- ② Wool
- ③ antistatic materials, such as wood or concrete

## E.3 Basic protective measures against electrostatic discharge

### Ensure sufficient grounding

When working with electrostatic sensitive devices, make sure that personnel and workstations are properly grounded. This prevents static charging.

### Avoid direct contact

You should only touch ESD components if unavoidable (for example, during maintenance work). Handle the assemblies so that you do not touch any block pins or conductors. In this way, the energy of the discharges cannot reach and damage sensitive components.

If you need to take measurements on an assembly, discharge your body before performing any work. Touch grounded metallic objects for this purpose. Use only grounded measuring devices.



# Service & support

## F.1 Service & support

### Technical support

You can contact Technical Support for all Industry Automation products by means of the Internet Web form for the Support Request on the Internet (<http://www.siemens.com/automation/support-request>)

Additional information on our technical support is available on the Internet (<http://www.siemens.com/automation/service>).

### Service & support on the Internet

In addition to our documentation, we offer a comprehensive knowledge base on the Internet. On the Internet (<http://www.siemens.com/automation/service&support>).

There you will find:

- Our Newsletter, which constantly provides you with the latest information about your products.
- The documents you require, via our service & support search facility.
- A forum, where users and experts from all over the world exchange their experiences.
- Your local contact for Automation & Drives from our contact database.
- Information about on-site service, repairs, spare parts, and much more.

### Additional support

If you have any questions relating to the products described in this manual and cannot find the answers in this documentation, please contact your Siemens partner at the appropriate office or sales and service location.

The contact details for your partner are available on the Internet (<http://www.automation.siemens.com/partner/>).

A guide to the technical documentation provided for the various SIMATIC products and systems is available on the Internet (<http://www.siemens.com/simatic-tech-doku-portal>).

The online catalog and order system is available on the Internet (<http://www.siemens.com/automation/mall>).

### Training center










Siemens offers various courses to get you started with the S7-300 and the SIMATIC S7 automation system. Please contact your regional training center or the central training center in Nuremberg (ZIP code: 90327).

Additional information is available on the Internet (<http://www.siemens.com/sitrain>).

## Safety-relevant symbols











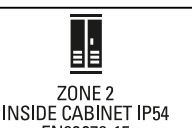

### G.1 Safety-related symbols for devices without Ex protection

The following table contains an explanation of the symbols located in your SIMATIC device, its packaging or the accompanying documentation.

Symbol	Meaning
	General warning sign <b>Caution/Notice</b> You must read the product documentation. The product documentation contains information about the potential risks and enable you to recognize risks and implement countermeasures.
	Read the information provided by the product documentation. ISO 7010 M002
	Ensure the device is only installed by electrically skilled person. IEC 60417 No. 6182
 CABLE SPEC.	Note that connected mains lines must be designed according to the expected minimum and maximum ambient temperature.
 EMC	Note that the device must be constructed and connected in accordance with EMC regulations.
 230V MODULES	Note that a 230 V device can be exposed to electrical voltages which can be dangerous. ANSI Z535.2
 24V MODULES	Note that a device of Protection Class III may only be supplied with a protective low voltage according to the standard SELV/PELV. IEC 60417-1-5180 "Class III equipment"
 INDOOR USE ONLY INDUSTRIAL USE ONLY	Be aware that the device is only approved for the industrial field and only for indoor use.
	Note that an enclosure is required for installing the device. Enclosures are considered: <ul style="list-style-type: none"> <li>• Standing control cabinet</li> <li>• Serial control cabinet</li> <li>• Terminal boxes</li> <li>• Wall enclosure</li> </ul>

## G.2 Safety-related symbols for devices with Ex protection

The following table contains an explanation of the symbols located in your SIMATIC device, its packaging or the accompanying documentation.

Symbol	Meaning
	<p>The assigned safety symbols apply to devices <b>with Ex approval</b>. You must read the product documentation. The product documentation contains information about the potential risks and enable you to recognize risks and implement countermeasures.</p>
	<p>Read the information provided by the product documentation. ISO 7010 M002</p>
	<p>Ensure the device is only installed by electrically skilled person. IEC 60417 No. 6182</p>
	<p>Observe the mechanical rating of the device.</p>
	<p>Note that connected mains lines must be designed according to the expected minimum and maximum ambient temperature.</p>
	<p>Note that the device must be constructed and connected in accordance with EMC regulations.</p>
	<p>When the device is under voltage, note that it may not be installed or removed, or plugged or pulled.</p>
	<p>Note that a 230 V device can be exposed to electrical voltages which can be dangerous. ANSI Z535.2</p>
	<p>Note that a device of Protection Class III may only be supplied with a protective low voltage according to the standard SELV/PELV. IEC 60417-1-5180 "Class III equipment"</p>
	<p>Be aware that the device is only approved for the industrial field and only for indoor use.</p>
	<p>For Zone 2 potentially explosive atmospheres, be aware that the device may only be used when it is installed in an enclosure with a degree of protection <math>\geq</math> IP54.</p>
	<p>For Zone 22 potentially explosive atmospheres, be aware that the device may only be used when it is installed in an enclosure with a degree of protection <math>\geq</math> IP6x.</p>

## List of abbreviations

### H.1 List of abbreviations

Abbreviations	Explanations
AC	Alternating current
ADC	Analog-to-Digital Converter
AI	Analog input
AO	Analog output
AS	Automation system
COMP+ / -	Compensation line (positive / negative)
CP	Communications processor
CPU	Central Processing Unit of the PLC
DAC	Digital-to-Analog Converter
DB	Data block
DC	Direct current
DI	Digital input
DO	Digital output
ESD	Electrostatic sensitive devices
EMC	Electromagnetic Compatibility
EPROM	Erasable Programmable Read-Only Memory
SSV	Set substitution value
FB	Function block
FC	Function
FEPRM	Flash Erasable Programmable Read-Only Memory
ES	Encoder supply
I+	Measuring line for current input
I <sub>C+</sub> / -	Constant current line (positive / negative)
KV+ / -	Cold spot comparison (positive / negative)
L+	Power supply 24 VDC
HLV	Hold last valid value
FOC	Fiber-optic conductor
M	Ground
M+ / -	Measuring line (positive / negative)
M <sub>ANA</sub>	Reference potential of the analog measuring circuit
MPI	Multipoint interface

<b>Abbreviations</b>	<b>Explanations</b>
OB	Organization block
OP	Operator panel
OS	Operator system
P5V	Power supply for module logic
PIO	Process Image of Outputs
PII	Process Image of Inputs
PG	Programming device
PS	Power supply
Q <sub>I</sub> :	Analog output current
Q <sub>V</sub> :	Analog output voltage
RAM	Random Access Memory
R <sub>L</sub> :	Load impedance
S + / -	Sensor line (positive / negative)
SF	"Group error" LED
SFB	System function block
SFC	System function
SM	Signal module
PLC	Programmable logic controller
SSI	Synchronous serial interface
TD	HMI (Text Display)
U+	Measuring line for voltage input
CMV	Common Mode Voltage
Viso	Potential difference between M <sub>ANA</sub> and local ground
sign	Sign

# Glossary

## 2-/3-/4-wire connection

Methods of connecting resistance thermometers / resistances to the front connector of the module, or loads to the voltage output of an analog input module.

## 2-wire transducer (passive sensor) / 4-wire transducer (active sensor)

Type of transducer ( 2-wire transducers: power supply via terminals of the analog input module; 4-wire transducers: power supply via separate terminals of the transducer.)

## Absolute encoder

Determines the distance traveled by reading a numerical value: When using absolute encoders with serial interface (SSI), the path information is transferred synchronously and serially according to the SSI protocol (synchronous serial interface).

## Address

Represents the identifier of a specific address or address range. Examples: input I 12.1; flag word MW 25; data block DB 3.

## Article number

→ Order number

## Backplane bus

Serial data bus for module intercommunication, and power distribution to the modules. Bus connectors interconnect the modules.

## Basic conversion time

Time required for the actual coding of a channel (integration time, plus all times required by the internal control, i.e. the channel is fully processed when this time has expired.

## Basic error limit

Represents the operational limit at 25 °C, relative the module's rated range.

## Basic execution time

Cycle time of an analog IO module when all of its channels are enabled. Equivalent to "number of channels x basic conversion time."

## Bus

A transfer medium that interconnects several nodes. Data may be transferred in serial or parallel mode, using electrical or fiber-optic conductors.

**Bus segment**

Self-contained part of a bus system. Bus segments are coupled by means of → Repeater.

**Calibration**

Refers to the process of determining the relationship between the measured or expected value of the output variable and the associated true or correct value of the measured variable provided as the input variable, for a specific measuring device and under particular circumstances.

**Common mode voltage (CMV)**

The voltage common to all terminals of a group, measured between this group and any reference point (usually ground potential.)

**Communications processor**

Programmable communications module, used for networking, PtP coupling, for example.

**Compensating box**

Can be used for temperature measurements using thermocouples connected to analog input modules. Represents a compensation circuit used to compensate temperature fluctuation at the → Reference junction.

**Configuring**

Refers to the selection and assembly of automation system components, or to software installation and adaptation to a specific process (by programming the modules, for example.)

**CP**

→ Communications processor

**CPU**

Central Processing Unit of the → Automation System. A CPU stores and executes the user program. It contains the operating system, memory, processing unit and communications interfaces.

**Cycle time**

Denotes the time a → CPU requires for a single execution of the → user program.

**Default setting**

A useful setting which is used whenever the user does not enter a different value.

**Destruction limit**

Permissible limit of the input voltage / output current. The accuracy of measurements may deteriorate if this limit is violated. If the destruction limit is considerably exceeded, this may destroy the internal measuring circuit.

### **Diagnostic interrupt**

Module diagnostics function report errors to the → CPU by means of diagnostic interrupts. The CPU operating system calls OB 82 when a diagnostic interrupt is generated.

### **Diagnostics**

Generic term for → System diagnostics, hardware error diagnostics, and user-specific diagnostics.

### **Diagnostics buffer**

The diagnostics buffer represents a backup memory in the CPU, used to store diagnostics events in their order of occurrence.

In STEP 7 (PLC → Module status), the user can read data from the diagnostics buffer to determine the precise cause of error.

### **Diagnostics data**

All diagnostics events are logged at the CPU and entered in → Diagnostics buffer. If an error OB exists, the buffer is started.

### **Direct access**

Denotes access of the CPU to a module via the → backplane bus, while bypassing the → Process image.

### **electrically disconnected**

The reference potential of the control and load voltage circuits at electrically isolated IO modules are isolated galvanically, for example, using optocouplers, relay contacts or transformers. IO circuits can be connected to a common reference potential.

### **electrically interconnected**

The reference potential of the control and load voltage circuits of non-isolated IO modules are electrically interconnected.

### **Equipotential bonding**

Electrical connection (equipotential conductor) of electrical equipment and external conductive objects to the same or near to same potential, in order to prevent the development of disturbance and dangerous potentials between those objects.

### **FREEZE**

STEP 7 parameter for the SM 338; POS-INPUT position detection module. FREEZE is a control command (function), used to freeze actual encoder values of SM 338.

### **Ground**

The conductive earth whose electrical potential can be set equal to zero at any point. Ground potential may be different from zero in the area of grounding electrodes. The term "reference ground" is frequently used to describe this situation.



## grounding

Grounding means, to connect an electrically conductive component via an equipotential grounding system to a grounding electrode (one or several conductive components with low impedance contact to earth.)

## Hardware interrupt

Function initiated by interrupt-triggering modules, based on specific events in the process (high or low limit violated, module has completed cyclic conversion of channels.)  
The hardware interrupt is reported to the CPU, The CPU executes the assigned → Organization block according to interrupt priority.

## Hold last value (HLV)

The module retains the last value output before the CPU went into STOP.

## Input delay

STEP 7 parameter for digital input modules. The input delay function is used to suppress coupled disturbance. This includes pulse-shaped disturbance within the range from 0 ms to the set input delay

The input delay tolerance is defined in the technical data of the module. The length of suppressed pulse-shaped disturbance is determined by the length of the input delay.

The permissible input delay is determined by the line length between the encoder and the module. Unshielded encoder supply lines of a greater length (more than 100 m) require a long delay setting.

## Integration time

STEP 7 parameter for analog input modules. The integration time is equivalent to the inverse value of the → noise suppression frequency in ms.

## Interface, multi-point

→ MPI

## Interference frequency suppression

STEP 7 parameter for analog input modules. The frequency of AC mains may corrupt measured values, in particular in the low voltage ranges, and when thermocouples are being used. At this parameter, the user defines the mains frequency prevailing on his system.

## Interrupt

SIMATIC S7 knows 28 different priority classes which control user program execution. These priority classes include interrupts, such as hardware interrupts. When an interrupt occurs, the operating system automatically calls an assigned organization block, in which the user can program the desired response (e.g. in an FB).

## Interrupt, diagnostics

→ Diagnostic interrupt

### Interrupt, end of cycle

→ hardware interrupt

### Interrupt, hardware

→ hardware interrupt

### Linearity error

Denotes the maximum deviation of the measured/output value from the ideal linear relationship between the measured/output signal and the digital value. Defined as a percentage, relative to the rated range of the analog module.

### Logic block

A SIMATIC S7 logic block contains elements of the *STEP 7* user program. In contrast, a data block only contains data. Available logic blocks: Organization Blocks (OBs), Function Blocks (FBs), Functions (FCs), System Function Blocks (SFBs), System Functions (SFCs).

### Measuring range module

Modules installed on analog input modules for the adaptation to different measuring ranges.

### Monoflop time

STEP 7 parameter for the SM 338; POS-INPUT position detection module. The monoflop time is equivalent to interval between two SSI message frames ( → Absolute encoder.)

### MPI

Multi-Point Interface. SIMATIC S7 interface for programming devices. Allows central access to remote programmable modules (CPUs, CPs), Text Displays und Operator Panels. MPI nodes can intercommunicate.

### OB

→ Organization Block

### Operating mode

Definition of this term:

1. selection of a CPU operating state using the mode selector switch or a PG
2. the type of program execution at the CPU
3. an analog input module parameter in *STEP 7*

### Operating state

Operating states known to SIMATIC S7 automation systems: STOP, → STARTUP, RUN and STOP.

**Operational limit**

Represents the measuring/output error of an analog module across the entire permissible temperature range, based on the module's rating.

**Organization block**

OBs form the interface between the CPU operating system and the user program. The sequential order of user program execution is defined in the organization blocks.

**Parameters**

1. Tag of a → Code block
2. Tag used to set one or several properties of a module. Each module is supplied with default parameters which users may edit in *STEP 7*.

**PG**

→ Programming device

**Process image**

The CPU saves the signal states of analog IO modules to a process image.

We distinguish between the process image of inputs (PII) and outputs (PIO). The input modules read the process image of inputs (PII) before the operating system executes the user program. The operating system transfers the process image of outputs (PIO) to the output modules at the end of program execution.

**Product version**

Differentiates products of the same order number. The product version is incremented in the case of upwards compatible enhancements of functionality, production-specific changes (use of new components/parts), and fixes.

**Programming device**

A programming device (PG) is a special compact PC (Personal Computer) suitable for use in industry. A PG is fully equipped for programming SIMATIC automation systems.

**Reference junction**

When operating thermocouples on analog input modules: point of known temperature (for example, → compensating box.)

**Reference potential**

Potential from which the voltages of participating circuits are derived and measured.

**Repeat accuracy**

Denotes the maximum deviation between measured/output values, if the same input or output signal is repeatedly set. Repeat accuracy refers to the rated range of the module, and applies to its settled temperature state.

## Repeater

Equipment used to amplify bus signals, and couple → bus segments across greater distances

## Resolution

Number of bits representing the value of analog modules in binary format. The resolution is module-specific. It is also determined by the → integration time of analog input modules. The precision of the measured value resolution increases with the length of the integration time. The maximum resolution is 16 bits + sign.

## Response to open thermocouple

STEP 7 parameter for analog input modules operating with thermocouples. This parameter defines whether the module outputs an "Overflow" (7FFFH) or "Underflow" (8000H) value when it detects an open thermocouple.

## Restart

At its restart (initiated by setting the mode selector switch from STOP to RUN, or after POWER ON), the CPU first executes restart OB 100, and then continues with cyclic program execution (OB1.)

During its restart, the CPU reads the → Process image of inputs (PIO), and then executes the STEP 7 user program, starting at the first statement in OB1.

## Retentivity

Data areas in data blocks (DBs), timers, counters and flags are considered retentive if their content is not lost as a result of restart or power off.

## Scaling

STEP 7 parameter for the SM 338; POS-INPUT position detection module. Scaling right-aligns the → Absolute encoder value in the address space; irrelevant places are discarded.

## Segment

→ Bus segment

## SFC

→ System Function

## Signal module

Signal modules (SMs) form the interface between the process and the automation system. These are available as digital and analog input/output and IO modules.

## Smoothing

STEP 7 parameter for analog input modules. The measured values are smoothed by digital filtering. Users can select module-specific filter properties, i.e. none, low, medium or high. The time constant of the digital filter increases in proportion to the degree of smoothing.

**STARTUP**

STARTUP mode initiates the transition from STOP to RUN mode. STARTUP can be triggered by setting the → mode selector, by power on, or by an operator action on the programming device. S7-300 performs a → restart.

**Substitution value**

Values output by faulty signal output modules to the process, or used to substitute a process value of a faulty signal input module in the user program.

Users can program the substitute values in STEP 7 (hold last value, substitution value 0 or 1.) Those values must be set at the outputs when the CPU goes into STOP.

**System diagnostics**

Denotes the detection, evaluation and reporting of error events within the automation system. Examples of such errors are: program errors, or module failure. System errors may be indicated by LED displays, or in *STEP 7*.

**System Function**

A System Function (SFC) is an integral function of the CPU operating system, and can be called in the STEP 7 user program as required.

**Temperature coefficient**

*STEP 7* parameter for analog input modules, for temperature measurements taken with resistance thermometers (RTD.) The selected temperature coefficient is specific to the resistance thermometer being used (to DIN standard.)

**Temperature error**

Denotes the drift of measured/output values, caused by fluctuation of the ambient temperature at an analog module. It is defined in % per Kelvin, relative to the rated range of the analog module.

**Temperature error of internal compensation**

Only applies to the measurement of thermocouples. Defines the error to add to the actual temperature error, when "internal comparison" mode is selected. The error is defined either as a percentile value relative to the physical rated range of the analog module, or as an absolute value in °C.

**Total current**

Total current of all output channels of a digital output module.

**ungrounded**

no galvanic connection to ground potential

### **User program**

Contains statements, tags and data for processing signals which can control a plant or process. It is assigned to a programmable module (CPU, FM, for example) and can be organized in smaller units (blocks).

### **Wirebreak**

Parameter in *STEP 7*. A wirebreak check is used to monitor line continuity between the encoder and input, or between the actuator and output. The module detects a wirebreak based on a current flow at the appropriately programmed input/output.

# Index

## 2

- 2-wire connection
  - Resistance thermometer, [208](#)
  - Voltage output, [216](#)
- 2-wire transducer, [205](#)

## 3

- 3-wire connection, [207](#)

## 4

- 40-pin terminal block
  - SM 321, DI 64 x DC 24 V, sinking/sourcing, [58](#)
  - SM 321, DO 64 x DC 24 V, 0.3 A sourcing, [107](#)
  - SM 322, DO 64 x DC 24 V, 0.3 A Sinking, [114](#)
  - Dimensional drawing, [512](#)
- 4-wire connection
  - Resistance thermometer, [206](#)
  - Voltage output, [215](#)
- 4-wire transducer, [206](#)

## A

- Absolute value encoder (SSI)
  - SM 338, POS-INPUT, [419](#)
- Accessories, [513](#)
- Actuators see also Connect loads/actuators, [214](#)
- Addressing
  - SM 334; AI 4/AO 2 x 8/8 Bit, [400](#)
  - SM 338, POS-INPUT, [420](#)
- Ambient conditions
  - Operating condition, [24](#)
  - Mechanical, [24](#)
  - Climatic, [25](#)
  - SIPLUS S7-300, [29](#)
- Analog functions, STEP 7 blocks, [250](#)
- Analog input/output module
  - SM 334, AI 4/AO 2 x 12 Bit, [401](#)

- Analog input module
  - isolated, non-isolated, [200](#)
  - Wiring and connecting thermocouples, [208](#)
  - Parameters, [245](#)
  - Diagnostics messages, [246](#)
  - Causes of error and troubleshooting, [247](#)
  - Load voltage missing, [247](#)
  - Configuration error, [247](#)
  - Programming error, [247](#)
  - Common-mode error, [247](#)
  - Wirebreak, [247](#)
  - Underflow, [247](#)
  - Overflow, [247](#)
  - Parameters, [443](#)
  - Dataset 1, structure, [443](#)
- Analog input modules
  - SM 331, AI 8 x 16 Bit, [255](#)
  - SM 331, AI 8 x 16 Bit, [263](#)
  - SM 331, AI 8 x 14 Bit High Speed, [274](#)
  - SM 331, AI 8 x 13 Bit, [283](#)
  - SM 331, AI 8 x 12 Bit, [293](#)
  - SM 331, AI 2 x 12 Bit, [305](#)
  - SM 331, AI 8 x RTD, [316](#)
  - SM 331, AI 8 x TC, [329](#)
  - SM 331, AI 6 x TC isolated, [342](#)
- Analog IO module
  - SM 334, AI 4/AO 2 x 8/8 Bit, [395](#)
  - Parameters, [481](#)
  - Dataset 1, structure, [481](#)
- Analog module
  - Analog value processing, [200](#)
  - Reaction, [238](#)
  - Power failure, [239](#)
  - Determination of the measuring error/output error, [240](#)
  - programming, [244](#)
  - Diagnostics, [245](#)
  - Group error LED, [246](#)
  - Interrupts, [248](#)
  - Start up, step, [250](#)
  - Dimensional drawing, [509](#)
- Analog output channel
  - Conversion time, [243](#)

- Analog output module
    - isolated, non-isolated, [214](#)
    - Diagnostic messages, [246](#)
    - Causes of error and troubleshooting, [247](#)
    - Load voltage missing, [247](#)
    - Programming error, [247](#)
    - Configuration error, [247](#)
    - Short-circuit to M, [247](#)
    - Wirebreak, [247](#)
    - Parameters, [477](#)
    - Dataset 1, structure, [478](#)
  - Analog output modules
    - SM 332, AO 8 x 12 Bit, [367](#)
    - SM 332, AO 4 x 16 Bit, [373](#)
    - SM 332, AO 4 x 12 Bit, [382](#)
    - SM 332, AO 2 x 12 Bit, [388](#)
  - Analog-to-digital conversion, [241](#)
  - Analog value
    - Conversion, [218](#)
    - Sign, [218](#)
    - STEP 7 blocks, [250](#)
  - Analog value processing
    - Introduction, [200](#)
    - Transducers, [200](#)
    - Voltage transducers, [204](#)
    - Current transducers, [205](#)
    - Resistance thermometer, [206](#)
    - Resistors, [206](#)
    - Thermocouples, [208](#)
    - Connecting loads/actuators, [214](#)
  - Approval, [15](#)
    - UL, [17](#)
    - CSA, [17](#)
    - FM, [18](#)
    - Marine, [20](#)
    - Use in industrial environments, [20](#)
    - Use in residential areas / mixed areas, [21](#)
  - Auxiliary voltage missing
    - SM 338, POS-INPUT, [423](#)
- ## B
- Basic error limit, [240](#)
  - Basic knowledge required, [4](#)
- ## C
- Causes of error and remedies
    - SM 321, DI 16 x DC 24 V, [81](#)
    - SM 321, DI 16 x DC 24 V/125 V, [90](#)
    - SM 322, DO 8 x DC 24 V/0.5 A, [156](#)
    - SM 322, DO 8 x AC 120/230 V/2 A ISOL, [168](#)
    - SM 322, DO 8 x Rel. AC 230 V/5 A (5HF00), [181](#)
  - Causes of error and troubleshooting
    - Analog input module, [247](#)
    - Analog output module, [247](#)
    - SM 338, POS-INPUT, [423](#)
  - Changes
    - in the manual, [4](#)
  - Changes in the manual, [4](#)
  - Channel fault
    - SM 338, POS-INPUT, [423](#)
    - SM 338, POS-INPUT, [424](#)
  - Channel information available
    - SM 338, POS-INPUT, [424](#)
  - Channel-specific diagnostics, [488](#)
  - Code type
    - SM 338, POS-INPUT, [419](#)
  - Common-mode error
    - Analog input module, [247](#)
  - Compensate reference junction temperature, [210](#)
  - Configuration error
    - Analog input module, [247](#)
    - Analog output module, [247](#)
    - SM 338, POS-INPUT, [424](#)
  - Connect current transducer, [205](#)
    - 2-wire transducer, [205](#)
    - 4-wire transducer, [206](#)
  - Connecting loads/actuators
    - Introduction, [214](#)
    - Voltage output, [215](#)
    - 4-wire connection, [215](#)
    - 2-wire connection, [216](#)
    - Current output, [216](#)
  - Connecting measuring transducers
    - Principles, [200](#)
    - Isolated measuring encoders, [201](#)
    - Non-isolated sensors, [203](#)



Connecting resistance thermometers, [206](#)  
 4-wire connection, [206](#)  
 3-wire connection, [207](#)  
 2-wire connection, [208](#)

Connect voltage transducer, [204](#)

Conversion  
 of analog values, [218](#)

Conversion time  
 Analog input channels, [241](#)  
 Analog output channel, [243](#)

CSA approval, [17](#)

Cycle time  
 Analog input channels, [241](#)  
 Analog output channels, [243](#)

## D

Data records  
 for parameters, [433](#)  
 for diagnostic data, [484](#)

Dataset 1, structure  
 SM 327, DI 8/DO 8 x DC 24 V/0.5 A, [198](#)  
 Digital input module, [434](#)  
 Digital input module, [436](#)  
 Digital output module, [438](#)  
 SM 322, DO 16 x DC 24 V/0.5 A (8BH10), [440](#)  
 Analog input module, [443](#)  
 SM 331, AI 8 x RTD, [447](#)  
 SM 331, AI 8 x TC, [455](#)  
 SM 331, AI 8 x 13 Bit, [461](#)  
 SM 331, AI 8 x 16 Bit, [465](#)  
 SM 331, AI 6 x TC isolated, [472](#)  
 Analog output module, [478](#)  
 SM 332, AO 8 x 12 Bit, [480](#)  
 Analog IO module, [481](#)

Dataset 128, structure  
 SM 331, AI 8 x RTD, [448](#)  
 SM 331, AI 8 x TC, [456](#)  
 SM 331, AI 8 x 16 Bit, [466](#)  
 SM 331, AI 6 x TC isolated, [473](#)

Degree of protection IP 20, [26](#)

Diagnostic interrupt  
 SM 321, DI 16 x DC 24 V, [82](#)  
 SM 321, DI 16 x DC 24 V/125 V, [91](#)  
 SM 322, DO 8 x DC 24 V/0.5 A, [158](#)  
 SM 322, DO 8 x Rel. AC 230 V/5 A (5HF00), [182](#)  
 of analog modules, [248](#)  
 SM 338, POS-INPUT, [424](#)

Diagnostic interrupt enable  
 SM 338, POS-INPUT, [419](#)  
 SM 338, POS-INPUT, [419](#)

Diagnostic messages, [54](#)  
 SM 321, DI 16 x DC 24 V, [80](#)  
 SM 321, DI 16 x DC 24 V/125 V, [89](#)  
 of analog output modules, [246](#)  
 reading, [423](#)

Diagnostics  
 Digital modules, [53](#)  
 of analog modules, [245](#)  
 SM 338, POS-INPUT, [422](#)  
 SM 338, POS-INPUT, [423](#)

Diagnostics data  
 Data record, [484](#)  
 channel-specific, [488](#)  
 SM 331, AI 6 x TC isolated, [492](#)  
 SM 338, POS-INPUT, [495](#)  
 Channel-specific, for SM 338; POS-INPUT, [497](#)

Diagnostics data entry, [239](#)

Diagnostics interrupt  
 SM 322, DO 8 x AC 120/230 V/2 A ISOL, [169](#)

Diagnostics messages  
 SM 322, DO 16 x DC 4 V/0.5 A (8BH10), [134](#)  
 SM 322, DO 8 x DC 24 V/0.5 A, [156](#)  
 SM 322, DO 8 x AC 120/230 V/2 A ISOL, [168](#)  
 SM 322, DO 8 x Rel. AC 230 V/5 A (5HF00), [181](#)  
 of the analog input modules, [246](#)

Digital I/O module  
 SM 323, DI 16/DO 16 x DC 24 V/0.5 A, [187](#)  
 SM 323, DI 8/DO 8 x DC 24 V/0.5 A, [190](#)  
 SM 327, DI 8/DO 8 x DC 24 V/0.5 A, program-  
 mable, [193](#)

## Digital input module

- SM 321, DI 64 x DC 24 V, sinking/sourcing, [56](#)
- SM 321, DI 32 x DC 24 V, [63](#)
- SM 321, DI 32 x AC 120 V, [66](#)
- SM 321, DI 16 x DC 24 V, [69](#)
- SM 321, DI 16 x DC 24 V High Speed, [71](#)
- SM 321, DI 16 x DC 24 V, with process and diagnostic interrupt, [73](#)
- SM 321, DI 16 x DC 24 V/125V, with process and diagnostic interrupt, [84](#)
- SM 321, DI 16 x DC 24 V, source input, [92](#)
- SM 321, DI 16 x UC 24/48 V, [94](#)
- SM 321, DI 16 x DC 48-125 V, [96](#)
- SM 321, DI 16 x AC 120/230 V, [99](#)
- SM 321, DI 8 x AC 120/230 V, [101](#)
- SM 321, DI 32 x AC 120/230 V ISOL, [103](#)
- Parameters, [434](#)
- Dataset 1, structure, [434](#)
- Parameters, [436](#)
- Dataset 1, structure, [436](#)

## digital module

- Start up, step, [52](#)

Digital module, [46](#)

- programming, [52](#)
- Diagnostics, [53](#)
- Group error LED, [54](#)
- Dimensional drawing, [509](#)

## Digital output module

- SM 322, DO 64 x DC 24 V/0.3 A sourcing, [106](#)
- SM 322, DO 64 x DC 24 V, 0.3 A, sinking, [112](#)
- SM 322, DO 32 x DC 24 V/0.5 A, [119](#)
- SM 322, DO 32 x AC 120/230 V/1 A, [122](#)
- SM 322, DO 16 x DC 24 V/0.5 A (1BH01), [125](#)
- SM 322, DO 16 x DC 24 V/0.5 A High Speed, [137](#)
- SM 322, DO 16 x UC 24/48 V, [140](#)
- SM 322, DO 16 x AC 120/230 V/1 A, [145](#)
- SM 322, DO 8 x DC 24 V/2 A, [148](#)
- SM 322, DO 8 x DC 24 V/0.5 A with diagnostic interrupt, [151](#)
- SM 322, DO 8 x DC 48-125 V/1.5 A, [158](#)
- SM 322, DO 8 x AC 120/230 V/2 A, [161](#)
- SM 322, DO 8 x AC 120/230 V/2 A ISOL, [164](#)
- Parameter, [438](#)
- Dataset 1, structure, [438](#)

Dimensional drawing, [498](#)

- Mounting rail, [498](#)
- Bus module for "hot swapping", [504](#)
- Interface module, [507](#)
- Digital module, [509](#)
- Analog module, [509](#)
- Signal module, [509](#)
- Shield connection element, [511](#)
- 40-pin terminal block, [512](#)

## DM 370

- Properties, [412](#)
- Technical data, [414](#)

DM 370 dummy module, [412](#)

## Documentation landscape

- Classification, [4](#)

## E

Electromagnetic compatibility (EMC), [21](#)Electrostatic discharge, [21](#)EMC (Electromagnetic compatibility)  
disturbance variables, [21](#)EMV (Electromagnetic compatibility), [21](#)

## Encoder error

- SM 338, POS-INPUT, [424](#)

## Error

- of an analog module, [240](#)

## F

FM approval, [18](#)

## Freeze function

- SM 338, POS-INPUT, [420](#)

## G

## Group error LED

- Digital module, [54](#)
- Analog module, [246](#)
- SM 338, POS-INPUT, [423](#)

## Guide

- for the manual, [6](#)

**H**

## Hardware interrupt

- SM 321, DI 16 x DC 24 V, [83](#)
- SM 321, DI 16 x DC 24 V/125 V, [91](#)
- when limit is exceeded, [248](#)
- End of cycle, [249](#)

**I**IEC 61131, [20](#)IECEX approval, [19](#)

## IM 360

- Properties, [427](#)
- Technical data, [428](#)
- Dimensional drawing, [507](#)

## IM 361

- Properties, [429](#)
- Technical data, [430](#)
- Dimensional drawing, [507](#)

## IM 365

- Properties, [431](#)
- Technical data, [432](#)
- Dimensional drawing, [508](#)

## Inbetriebnahme

- digital module, [52](#)
- Analog modules, [250](#)

Interface module, [427](#)

- IM 360, [427](#)
- IM 361, [429](#)
- IM 365, [431](#)
- Dimensional drawing, [507](#)

## Internal error

- SM 338, POS-INPUT, [423](#)

## Internet

- Service & support, [517](#)

## Interrupts

- SM 321, DI 16 x DC 24 V, [82](#)
- SM 321, DI 16 x DC 24 V/125 V, [91](#)
- SM 322, DO 8 x DC 24 V/ 0.5 A; diagnostics interrupt, [157](#)
- SM 322, DO 8 x AC 120/230 V/2 A ISOL, [168](#)
- SM 322, DO 8 x Rel. AC 230 V/5 A (5HF00), [182](#)
- of analog modules, [248](#)
- enabling, [248](#)
- SM 338, POS-INPUT, [424](#)
- enabling, [424](#)

Isochronous mode, [78](#)

- SM 321, DI 16 x DC 24 V, [78](#)
- SM 331; AI 8 x 14 Bit High Speed, [281](#)
- SM 332, AO 4 x 16 Bit, [381](#)
- SM 338, [415](#)

Isolation test, [25](#)**L**

## Load voltage missing

- Analog input module, [247](#)
- Analog output module, [247](#)

**M**

## Manual

- purpose, [4](#)

Marine approval, [20](#)

## Measurement types and measuring ranges

- SM 331, AI 8 x 16 Bit, [261](#)
- SM 331, AI 8 x 16 Bit, [269](#)
- SM 331; AI 8 x 14 Bit High Speed, [279](#)
- SM 331, AI 8 x 13 Bit, [290](#)
- SM 331, AI 8 x 12 Bit, [302](#)
- SM 331, AI 2 x 12 Bit, [313](#)
- SM 331, AI 8 x RTD, [323](#)
- SM 331, AI 8 x TC, [337](#)
- SM 331, AI 6 x TC isolated, [352](#)
- SM 334, AI 4/AO 2 x 8/8 Bit, [401](#)
- SM 334, AI 4/AO 2 x 12 Bit, [407](#)

## Measuring method

- Analog input channels, [236](#)

Measuring range module, [236](#)

- Changing the position, [237](#)

## Measuring ranges

- Analog input channels, [236](#)

## Module error

- SM 338, POS-INPUT, [423](#)

- Module overview, [46](#)
  - Digital input modules, [47](#)
  - Digital output modules, [49](#)
  - Relay output modules, [50](#)
  - Digital I/O modules, [51](#)
  - Analog input modules, [251](#)
  - Analog output modules, [254](#)
  - Analog I/O modules, [255](#)
  - Other signal modules, [409](#)
  - Interface modules, [427](#)
- Module parameters
  - SM 321, DI 16 x DC 24 V, [79](#)
- Monoflop time
  - SM 338, POS-INPUT, [420](#)
- N**
- no parameters
  - SM 338, POS-INPUT, [424](#)
- O**
- OB40, [83](#)
  - Start information, [249](#)
- OB82, [82](#), [91](#), [158](#), [169](#), [182](#), [248](#)
- Operating state
  - of the CPU, [238](#)
- Operational limit, [240](#)
- Order number
  - 6ES7307-1BA01-0AA0, [30](#)
  - 6ES7307-1EA01-0AA0, [33](#)
  - 6ES7307-1KA02-0AA0, [36](#)
  - 6AG1305-1BA80-2AA0, [39](#)
  - 6AG1307-1EA80-2AA0, [42](#)
  - 6ES7321-1BP00-0AA0, [56](#)
  - 6ES7321-1BL00-0AA0, [63](#)
  - 6AG1321-1BL00-2AA0, [63](#)
  - 6ES7321-1EL00-0AA0, [66](#)
  - 6ES7321-1BH02-0AA0, [69](#)
  - 6AG1321-1BH02-2AA0, [69](#)
  - 6ES7321-1BH10-0AA0, [71](#)
  - 6ES7321-7BH01-0AB0, [73](#)
  - 6AG1321-7BH01-2AB0, [74](#)
  - 6ES7321-7EH00-0AB0, [84](#)
  - 6ES7321-1BH50-0AA0, [92](#)
  - 6ES7321-1CH00-0AA0, [94](#)
  - 6ES7321-1CH20-0AA0, [96](#)
  - 6AG1321-1CH20-2AA0, [97](#)
  - 6ES7321-1FH00-0AA0, [99](#)
  - 6ES7321-1FF01-0AA0, [101](#)
  - 6AG1321-1FF01-2AA0, [101](#)
  - 6ES7321-1FF10-0AA0, [103](#)
  - 6ES7322-1BP00-0AA0, [106](#)
  - 6ES7322-1BP50-0AA0, [112](#)
  - 6ES7322-1BL00-0AA0, [119](#)
  - 6ES7322-1FL00-0AA0, [122](#)
  - 6AG1322-1BH01-2AA0, [126](#)
  - 6ES7322-8BH10-0AB0, [129](#)
  - 6AG1322-8BH10-7AB0, [129](#)
  - 6ES7322-1BH10-0AA0, [137](#)
  - 6ES7322-5GH00-0AB0, [140](#)
  - 6ES7322-1FH00-0AA0, [145](#)
  - 6ES7322-1BF01-0AA0, [148](#)
  - 6ES7322-8BF00-0AB0, [151](#)
  - 6AG1322-8BF00-2AB0, [151](#)
  - 6ES7322-1CF00-0AA0, [158](#)
  - 6AG1322-1CF00-2AA0, [158](#)
  - 6ES7322-1FF01-0AA0, [161](#)
  - 6AG1322-1FF01-2AA0, [161](#)
  - 6ES7322-5FF00-0AB0, [164](#)
  - 6ES7322-1HH01-0AA0, [169](#)
  - 6ES7322-1HF01-0AA0, [172](#)
  - 6ES7322-5HF00-0AB0, [176](#)
  - 6ES7322-1HF10-0AA0, [182](#)
  - 6AG1322-1HF10-2AA0, [182](#)
  - 6ES7323-1BL00-0AA0, [187](#)
  - 6ES7323-1BH01-0AA0, [190](#)

6AG1323-1BH01-2AA0, [190](#)  
 6ES7327-1BH00-0AB0, [193](#)  
 6ES7331-7NF00-0AB0, [255](#)  
 6ES7331-7NF10-0AB0, [263](#)  
 6ES7331-7HF00-0AB0, [274](#)  
 6ES7331-7HF01-0AB0, [274](#)  
 6ES7331-1KF02-0AB0, [283](#)  
 6ES7331-7KF02-0AB0, [293](#)  
 6ES7331-7KB02-0AB0, [305](#)  
 6AG1331-7KB02-2AB0, [305](#)  
 6ES7331-7PF01-0AB0, [316](#)  
 6ES7331-7PF11-0AB0, [329](#)  
 6ES7331-7PE10-0AB0, [342](#)  
 6ES7332-5HF00-0AB0, [367](#)  
 6AG1332-5HF00-2AB0, [367](#)  
 6ES7332-7ND02-0AB0, [373](#)  
 6AG1332-7ND02-4AB0, [373](#)  
 6ES7332-5HD01-0AB0, [382](#)  
 6AG1332-5HD01-7AB0, [382](#)  
 6ES7332-5HB01-0AB0, [388](#)  
 6AG1332-5HB01-2AB0, [388](#)  
 6ES7334-0CE01-0AA0, [395](#)  
 6ES7334-0KE00-0AB0, [401](#)  
 6AG1334-0KE00-2AB0, [401](#)  
 6ES7374-2XH01-0AA0, [409](#)  
 6ES7370-0AA01-0AA0, [412](#)  
 6ES7 338-4BC01-0AB0, [414](#)  
 6ES7360-3AA01-0AA0, [427](#)  
 6ES7361-3CA01-0AA0, [429](#)  
 6ES7365-0BA01-0AA0, [431](#)  
 6AG1365-0BA01-2AA0, [431](#)

#### Output range

SM 332, AO 8 x 12 Bit, [371](#)  
 SM 332, AO 4 x 16 bit, [379](#)  
 SM 332, AO 4 x 12 Bit, [387](#)  
 SM 332, AO 2 x 12 Bit, [393](#)  
 SM 334, AI 4/AO 2 x 8/8 Bit, [401](#)  
 SM 334, AI 4/AO 2 x 12 Bit, [408](#)

#### Overflow

Analog input module, [247](#)

#### Overvoltage protection, [54](#)

## P

#### Parameter

SFCs, [433](#)  
 Digital output module, [438](#)

#### Parameters, [53](#)

changing in the user program, [244](#)  
 dynamic, [244](#)  
 static, [244](#)  
 Analog input module, [245](#)  
 SM 338, POS-INPUT, [419](#)  
 Data record, [433](#)  
 Digital input module, [434](#)  
 Digital input module, [436](#)  
 Analog input module, [443](#)  
 Analog output module, [477](#)  
 Analog IO module, [481](#)

#### Parameters, incorrect

SM 338, POS-INPUT, [424](#)

#### Parameters of modules

SM 321, DI 16 x DC 24 V/125 V, [88](#)  
 SM 321, DO 16 x DC 24 V/0.5 A (8BH10), [133](#)  
 SM 322, DO 16 x UC 24/48 V, [143](#)  
 SM 322, DO 8 x DC 24 V/0.5 A with diagnostic interrupt, [155](#)  
 SM 322, DO 8 x AC 120/230 V/2 A ISOL, [167](#)  
 SM 322, DO 8 x Rel. AC 230 V/5 A (5HF00), [181](#)  
 SM 327, DI 8/DO 8 x DC 24 V/0.5 A, programmable, [197](#)  
 SM 331, AI 8 x 16 Bit, [261](#)  
 SM 331, AI 8 x 16 Bit, [269](#)  
 SM 331, AI 8 x 16 Bit, [280](#)  
 SM 331; AI 8 x 13 Bit, [291](#)  
 SM 331, AI 8 x 12 Bit, [303](#)  
 SM 331, AI 2 x 12 Bit, [315](#)  
 SM 331, AI 8 x RTD, [324](#)  
 SM 331, AI 8 x TC, [338](#)  
 SM 331, AI 6 x TC isolated, [353](#)  
 SM 332, AO 8 x 12 Bit, [372](#)  
 SM 332, AO 4 x 16 Bit, [379](#)  
 SM 332, AO 4 x 12 Bit, [387](#)  
 SM 332, AO 8 x 12 Bit, [393](#)  
 SM 334, AI 4/AO 2 x 12 Bit, [406](#)  
 SM 322, DO 16 x DC 24 V/0.5 A (8BH10), [440](#)  
 SM 331, AI 8 x RTD, [446](#)  
 SM 331, AI 8 x TC, [454](#)  
 SM 331, AI 8 x 16 Bit, [464](#)  
 SM 331, AI 6 x TC isolated, [470](#)  
 SM 332, AO 8 x 12 Bit, [479](#)

PARAM\_MOD, SFC 57, [433](#)

#### POS input module

SM 338, [414](#)

## Position

Documentation structure, [4](#)

## Position decoder module

SM 338, POS-INPUT, [414](#)

## Power failure

SM 321, DI 16 x DC 24 V, [81](#)

SM 322, DO 8 x DC 24 V/0.5 A with diagnostic interrupt, [157](#)

of the analog module, [239](#)

Power supply module, [30](#)

PS 307 2 A, [30](#)

PS 307 5 A, [33](#)

PS 307 10 A, [36](#)

PS 305 2 A, [39](#)

## Programming

Digital modules, [52](#)

of analog modules, [244](#)

in user program, [433](#)

## Programming error

Analog input module, [247](#)

Analog output module, [247](#)

SM 338, POS-INPUT, [424](#)

Protection class, [25](#)

## PS 305 2 A

Properties, [39](#)

Wiring diagram, [40](#)

Schematic circuit diagram, [40](#)

Technical specifications, [41](#)

Dimensional drawing, [506](#)

## PS 307 10 A

Wiring diagram, [37](#)

Schematic circuit diagram, [37](#)

Technical specifications, [38](#)

Dimensional drawing, [506](#)

## PS 307 2 A

Properties, [30](#)

Schematic circuit diagram, [31](#)

Technical specifications, [32](#)

Dimensional drawing, [504](#)

## PS 307 5A

Drawing (-1EA01-), [505](#)

## PS 307 5 A

Wiring diagram, [34](#)

Schematic circuit diagram, [34](#)

Technical specifications, [35](#)

Properties, [42](#)

Wiring diagram, [43](#)

Schematic circuit diagram, [43](#)

Drawing (-1EA80-), [506](#)

**R**

Rail dimensioned drawing, [498](#)

Rated voltage, [26](#)

## Relay output module

SM 322, DO 16 x Rel. 120/230 V AC, [169](#)

SM 322, DO 8 x Rel. 230 V AC, [172](#)

SM 322, DO 8 x Rel. 230 V AC / 5 A (5HF00), [176](#)

SM 322, DO 8 x Rel. 230 V AC / 5 A (1HF10), [182](#)

- Representation of analog values, [218](#)
  - Binary representation of input ranges, [219](#)
  - For voltage measuring ranges, [220](#)
  - For voltage measuring ranges, [220](#)
  - For voltage measuring ranges, [221](#)
  - For current measuring ranges, [221](#)
  - For current measuring ranges, [222](#)
  - of resistive transducers, [222](#)
  - for resistance thermometers, [223](#)
  - for resistance thermometers, [223](#)
  - for resistance thermometers, [224](#)
  - for resistance thermometers, [224](#)
  - for resistance thermometers, [225](#)
  - for resistance thermometers, [225](#)
  - for resistance thermometers, [226](#)
  - for resistance thermometers, [226](#)
  - for resistance thermometers, [226](#)
  - for resistance thermometers, [227](#)
  - for resistance thermometers, [227](#)
  - for resistance thermometers, [229](#)
  - for resistance thermometers, [229](#)
  - for resistance thermometers, [229](#)
  - for resistance thermometers, [230](#)
  - for resistance thermometers, [230](#)
  - for resistance thermometers, [231](#)
  - for resistance thermometers, [231](#)
  - for resistance thermometers, [231](#)
  - for resistance thermometers, [231](#)
  - for resistance thermometers, [232](#)
  - binary representation of output ranges, [233](#)
  - for voltage output ranges, [234](#)
  - in the current output ranges, [235](#)
- Resolution, [218](#)
- S**
- Scaling
  - SM 338, POS-INPUT, [418](#)
  - SM 338, POS-INPUT, [420](#)
- Service & support, [517](#)
- SFC51, [82](#), [91](#), [158](#), [169](#), [182](#), [248](#)
- SFC55 WR\_PARM, [433](#)
- SFC56 WR\_DPARM, [433](#)
- SFC 57 PARM\_MOD, [433](#)
- SFC59, [82](#), [91](#), [158](#), [169](#), [182](#), [248](#)
- SF LED, [54](#)
  - SM 338, POS-INPUT, [423](#)
- Shield connection element, drawing, [511](#)
- Shipping conditions, [23](#)
- Short-circuit to M
  - Analog output module, [247](#)
- Sign
  - Analog value, [218](#)
- Signal module
  - Overview, [409](#)
  - Dimensional drawing, [509](#)
- Simulator module SM 374, IN/OUT 16, [409](#)
- SIPLUS S7-300 module, [26](#)
- SM 321, DI 16 x AC 120/230 V
  - Properties, [99](#)
  - Wiring diagram, [99](#)
  - Technical specifications, [99](#)
- SM 321, DI 16 x DC 24 V
  - Properties, [69](#)
  - Wiring diagram, [70](#)
  - Technical specifications, [70](#)
  - redundant sensor supply, [75](#)
  - Shunt circuit of the sensors, [76](#)
  - Isochronous mode, [78](#)
  - Parameters, [79](#)
  - Diagnostic messages, [80](#)
  - Causes of error and troubleshooting, [81](#)
  - Power supply, [81](#)
  - Interrupts, [82](#)
  - Diagnostic interrupt, [82](#)
  - Hardware interrupt, [83](#)
- SM 321, DI 16 x DC 24 V, source input
  - Properties, [92](#)
  - Wiring diagram, [93](#)
  - Technical specifications, [93](#)
- SM 321, DI 16 x DC 24 V, with process and diagnostic interrupt
  - Properties, [74](#)
  - Wiring diagram, [75](#)
  - Technical specifications, [76](#)
  - Technical specifications, [87](#)
- SM 321, DI 16 x DC 24 V/125 V
  - Shunt circuit of the sensors, [86](#)
  - Parameters, [88](#)
  - Diagnostic messages, [89](#)
  - Causes of error and troubleshooting, [90](#)
  - Interrupts, [91](#)
  - Diagnostic interrupt, [91](#)
  - Hardware interrupt, [91](#)



- SM 321, DI 16 x DC 24 V/125 V, with process and diagnostic interrupt
  - Properties, [85](#)
  - Wiring diagram, [86](#)
- SM 321, DI 16 x DC 24 V High Speed
  - Properties, [72](#)
  - Wiring diagram, [72](#)
  - Technical specifications, [72](#)
- SM 321, DI 16 x DC 48-125 V
  - Properties, [97](#)
  - Wiring diagram, [97](#)
  - Technical specifications, [97](#)
- SM 321, DI 16 x UC 24/48 V
  - Properties, [94](#)
  - Wiring diagram, [95](#)
  - Technical specifications, [95](#)
- SM 321, DI 32 x AC 120/230 V ISOL
  - Properties, [104](#)
  - Wiring diagram, [104](#)
  - Technical specifications, [104](#)
- SM 321, DI 32 x AC 120 V
  - Properties, [66](#)
  - Wiring diagram, [67](#)
  - Technical specifications, [68](#)
- SM 321, DI 32 x DC 24 V
  - Properties, [63](#)
- SM 321, DI 32 x DC 24 V
  - Wiring diagram, [64](#)
  - Technical specifications, [65](#)
- SM 321, DI 64 x DC 24 V, sinking/sourcing
  - Properties, [56](#)
  - Wiring diagram, [57](#)
  - 40-pin terminal block, [58](#)
  - Technical specifications, [59](#)
- SM 321, DI 8 x AC 120/230 V
  - Properties, [101](#)
  - Wiring diagram, [102](#)
  - Technical specifications, [102](#)
- SM 321, DO 64 x DC 24 V, 0.3 A sourcing
  - Properties, [106](#)
  - Wiring diagram, [106](#)
  - 40-pin terminal block, [107](#)
  - Technical specifications, [108](#)
- SM 322, DO 16 x AC 120/230 V/1 A
  - Properties, [145](#)
  - Wiring diagram, [146](#)
  - Technical specifications, [146](#)
- SM 322, DO 16 x DC 24 V/0.5 A (1BH01)
  - Properties, [126](#)
  - Wiring diagram, [127](#)
  - Technical specifications, [127](#)
- SM 322, DO 16 x DC 24 V/0.5 A (8BH10)
  - Properties, [129](#)
  - Wiring diagram, [131](#)
  - Technical specifications, [131](#)
  - Diagnostics, [134](#)
  - Discrepancy error monitoring, [135](#)
  - Firmware update, [135](#)
  - I&M data (identification data), [136](#)
  - Parameter, [440](#)
  - Dataset 1, structure, [440](#)
  - Diagnostic data records, [489](#)
- SM 322, DO 16 x DC 24 V/0.5 A High Speed
  - Properties, [137](#)
  - Wiring diagram, [138](#)
  - Technical specifications, [138](#)
- SM 322, DO 16 x Rel. 120/230 V AC
  - Properties, [169](#)
  - Wiring diagram, [170](#)
  - Technical specifications, [170](#)
- SM 322, DO 16 x UC 24/48 V
  - Properties, [140](#)
  - Wiring diagram, [141](#)
  - Technical specifications, [141](#)
  - Parameters, [143](#)
- SM 322, DO 32 x AC 120/230 V/1 A
  - Properties, [122](#)
  - Wiring diagram, [123](#)
  - Technical specifications, [124](#)
- SM 322, DO 32 x DC 24 V/0.5 A
  - Properties, [119](#)
  - Wiring diagram, [120](#)
  - Technical specifications, [121](#)
- SM 322, DO 64 x DC 24 V, 0.3 A, sinking
  - Properties, [112](#)
  - Wiring diagram, [113](#)
  - 40-pin terminal block, [114](#)
  - Technical specifications, [115](#)
  - Supplementary information, [116](#)
- SM 322, DO 8 x AC 120/230 V/2 A
  - Properties, [161](#)
  - Wiring diagram, [162](#)
  - Technical specifications, [162](#)



- SM 322, DO 8 x AC 120/230 V/2 A ISOL
  - Properties, [164](#)
  - Wiring diagram, [165](#)
  - Technical specifications, [165](#)
  - Parameters, [167](#)
  - Diagnostic messages, [168](#)
  - Causes of error and troubleshooting, [168](#)
  - Interrupts, [168](#)
  - Diagnostics interrupt, [169](#)
  - Load restrictions, [169](#)
- SM 322, DO 8 x DC 24 V/0.5 A with diagnostic interrupt
  - Properties, [151](#)
  - Wiring diagram, [152](#)
  - Technical specifications, [153](#)
  - Parameters, [155](#)
  - Diagnostics messages, [156](#)
  - Causes of error and troubleshooting, [156](#)
  - Power supply, [157](#)
  - Interrupts, [157](#)
  - Diagnostic interrupt, [158](#)
- SM 322, DO 8 x DC 24 V/2 A
  - Properties, [148](#)
  - Wiring diagram, [149](#)
  - Technical specifications, [149](#)
- SM 322, DO 8 x DC 48-125 V/1.5 A
  - Properties, [158](#)
  - Wiring diagram, [159](#)
  - Technical specifications, [159](#)
- SM 322, DO 8 x Rel. 230 V AC
  - Properties, [172](#)
  - Wiring diagram, [173](#)
  - Technical specifications, [173](#)
- SM 322, DO 8 x Rel. 230 V AC / 5 A (1HF10)
  - Properties, [182](#)
  - Wiring diagram, [183](#)
  - Technical specifications, [184](#)
- SM 322, DO 8 x Rel. 230 V AC / 5 A (5HF00)
  - Properties, [176](#)
  - Wiring diagram, [177](#)
  - Technical specifications, [178](#)
- SM 322, DO 8 x Rel. AC 230 V/5 A (5HF00)
  - Parameters, [181](#)
  - Diagnostics messages, [181](#)
  - Causes of error and troubleshooting, [181](#)
  - Interrupts, [182](#)
  - Diagnostic interrupt, [182](#)
- SM 323, DI 16/DO 16 x DC 24 V/0.5 A
  - Properties, [187](#)
  - Wiring diagram, [188](#)
  - Technical specifications, [188](#)
- SM 323, DI 8/DO 8 x DC 24 V/0.5 A
  - Properties, [191](#)
  - Wiring diagram, [191](#)
  - Technical specifications, [192](#)
- SM 327, DI 8/DO 8 x DC 24 V/0.5 A, programmable
  - Properties, [194](#)
  - Wiring diagram, [195](#)
  - Technical specifications, [195](#)
  - Parameters, [197](#)
  - Dataset 1, structure, [198](#)
- SM 331, AI 2 x 12 Bit
  - Measurement types and measuring ranges, [313](#)
  - Parameters, [315](#)
  - Supplementary information, [315](#)
- SM 331, AI 2 x 12-bit
  - Properties, [305](#)
  - Wiring diagram, [306](#)
  - Technical specifications, [309](#)
- SM 331, AI 6 x TC isolated
  - Properties, [342](#)
  - Terminal assignment, [343](#)
  - Technical specifications, [347](#)
  - Measurement types and measuring ranges, [352](#)
  - Parameter, [353](#)
  - Supplementary information, [354](#)
  - Firmware update, [359](#)
  - I&M data (identification data), [360](#)
  - Calibration, [361](#)
  - Parameter, [470](#)
  - Dataset 1, structure, [472](#)
  - Dataset 128, structure, [473](#)
  - Diagnostics data, [492](#)
- SM 331, AI 8 x 12 bit
  - Parameters, [303](#)
- SM 331, AI 8 x 12 Bit
  - Measurement types and measuring ranges, [302](#)
  - Supplementary information, [304](#)
- SM 331, AI 8 x 12-bit
  - Properties, [293](#)
  - Wiring diagram, [294](#)
  - Technical specifications, [298](#)

- SM 331, AI 8 x 13 Bit
  - Properties, [283](#)
  - Wiring diagram, [283](#)
  - Measurement types and measuring ranges, [290](#)
  - Supplementary information, [291](#)
- SM 331, AI 8 x 13 Bit
  - Dataset 1, structure, [461](#)
- SM 331, AI 8 x 14 Bit High Speed
  - Technical specifications, [276](#)
- SM 331, AI 8 x 16 Bit
  - Properties, [255](#)
  - High-speed update of measured values, [256](#)
  - Wiring diagram, [256](#)
  - Technical specifications, [258](#)
  - Measurement types and ranges, [261](#)
  - Parameter, [261](#)
  - Supplementary information, [262](#)
  - Properties, [264](#)
  - Wiring diagram, [265](#)
  - Technical specifications, [266](#)
  - Measurement types and measuring ranges, [269](#)
  - Parameter, [269](#)
  - Supplementary information, [270](#)
  - Parameter, [280](#)
  - Parameters, [464](#)
  - Dataset 1, structure, [465](#)
  - Dataset 128, structure, [466](#)
- SM 331, AI 8 x RTD
  - Properties, [316](#)
  - Wiring diagram, [317](#)
  - Technical specifications, [320](#)
  - Measurement types and measuring ranges, [323](#)
  - Parameters, [324](#)
  - Supplementary information, [325](#)
  - Parameters, [446](#)
  - Dataset 1, structure, [447](#)
  - Dataset 128, structure, [448](#)
- SM 331, AI 8 x TC
  - Properties, [329](#)
  - Wiring diagram, [330](#)
  - Technical specifications, [332](#)
  - Measurement types and measuring ranges, [337](#)
  - Parameter, [338](#)
  - Supplementary information, [339](#)
  - Parameters, [454](#)
  - Dataset 1, structure, [455](#)
  - Dataset 128, structure, [456](#)
- SM 331; AI 8 x 13 Bit
  - Technical specifications, [287](#)
  - Parameters, [291](#)
- SM 331; AI 8 x 14 Bit High Speed
  - Properties, [274](#)
  - Wiring diagram, [274](#)
  - Measurement types and measuring ranges, [279](#)
  - Isochronous mode, [281](#)
  - Supplementary information, [282](#)
- SM 332, AO 2 x 12 Bit
  - Properties, [388](#)
  - Wiring diagram, [389](#)
  - Technical specifications, [391](#)
  - Output range, [393](#)
  - Supplementary information, [394](#)
- SM 332, AO 4 x 12 Bit
  - Properties, [382](#)
  - Wiring diagram, [382](#)
  - Technical specifications, [384](#)
  - Output range, [387](#)
  - Parameters, [387](#)
  - Supplementary information, [388](#)
- SM 332, AO 4 x 16 bit
  - Output range, [379](#)
- SM 332, AO 4 x 16 Bit
  - Technical specifications, [376](#)
  - Parameters, [379](#)
  - Isochronous mode, [381](#)
- SM 332, AO 4 x 16 Bit, isochrone
  - Properties, [373](#)
  - Wiring diagram, [374](#)
  - Supplementary information, [381](#)
- SM 332, AO 8 x 12
  - Properties, [367](#)
  - Wiring diagram, [367](#)
  - Supplementary information, [373](#)
- SM 332, AO 8 x 12 Bit
  - Technical specifications, [369](#)
  - Output range, [371](#)
  - Parameter, [372](#)
  - Parameters, [393](#)
  - Parameters, [479](#)
  - Dataset 1, structure, [480](#)
- SM 334, AI 4/AO 2 x 12 Bit
  - Parameters, [406](#)
  - Measurement types and measuring ranges, [407](#)
  - Output range, [408](#)
- SM 334, AI 4/AO 2 x 12-bit
  - Properties, [401](#)
  - Wiring diagram, [402](#)
  - Technical specifications, [403](#)

- SM 334, AI 4/AO 2 x 8/8 Bit
    - Wiring diagram, [395](#)
    - Technical specifications, [397](#)
    - Addresses, [400](#)
    - Measurement types and measuring ranges, [401](#)
    - Output types and output ranges, [401](#)
    - Unused channels, [401](#)
  - SM 334; AI 4/AO 2 x 12 Bit
    - Unused channels, [408](#)
  - SM 338
    - POS input module, [414](#)
    - Isochronous mode, [415](#)
    - Cyclic encoder value acquisition, [417](#)
    - Isochronous encoder value acquisition, [417](#)
  - SM 338, POS-INPUT
    - Wiring diagram, [416](#)
    - Scaling, [418](#)
    - Diagnostic interrupt enable, [419](#)
    - Diagnostic interrupt enable, [419](#)
    - Absolute value encoder (SSI), [419](#)
    - Code type, [419](#)
    - Transmission rate, [419](#)
    - Monoflop time, [420](#)
    - Scaling, [420](#)
    - Freeze function, [420](#)
    - Addressing, [420](#)
    - Diagnostics, [422](#)
    - SF LED, [423](#)
    - Group error LED, [423](#)
    - Causes of error and troubleshooting, [423](#)
    - Module error, [423](#)
    - Internal error, [423](#)
    - External error, [423](#)
    - Channel error, [423](#)
    - Auxiliary voltage missing, [423](#)
    - no parameters, [424](#)
    - Incorrect parameters, [424](#)
    - Channel information available, [424](#)
    - Watchdog time-out, [424](#)
    - Channel fault, [424](#)
    - Configuration error, [424](#)
    - Programming error, [424](#)
    - Encoder error, [424](#)
    - Interrupts, [424](#)
    - Diagnostic interrupt, [424](#)
    - Technical data, [424](#)
    - Diagnostics data, [495](#)
    - Diagnostics data, [497](#)
  - SM 374, IN/OUT 16
    - Properties, [410](#)
    - Technical data, [411](#)
  - Smoothing of analog input values, [241](#)
  - Spare parts, [513](#)
  - Standards, [15](#)
  - STEP 7 blocks for analog functions, [250](#)
  - Storage conditions, [23](#)
- ## T
- Technical specifications
    - Standards and approvals, [15](#)
    - EMV (Electromagnetic compatibility), [21](#)
    - Shipping and storage conditions, [23](#)
  - Test voltage, [25](#)
  - Thermocouple
    - General, [208](#)
    - Structure, [209](#)
    - Operating principle, [210](#)
    - Reference junction, [210](#)
    - Internal compensation, [211](#)
    - external compensation, [212](#)
    - Reference junction, [213](#)
  - Training center, [517](#)
  - Transmission rate
    - SM 338, POS-INPUT, [419](#)
- ## U
- UL approval, [17](#)
  - Underflow
    - Analog input module, [247](#)
- ## W
- Watchdog time-out
    - SM 338, POS-INPUT, [424](#)
  - Wirebreak
    - Analog input module, [247](#)
    - Analog output module, [247](#)
  - WR\_DPARM, SFC 56, [433](#)
  - WR\_PARM, SFC 55, [433](#)