




# SIEMENS

Circuit breaker with thermal-magnetic trip unit

3VJ10 ... DA2 ..	3VJ10 ... DB3 ..	IEC 60947-2
3VJ10 ... DA3 ..	3VJ10 ... EB4 ..	EN 60947-2
3VJ10 ... EA4 ..		IS / IEC 60947-2



## Operating Instructions

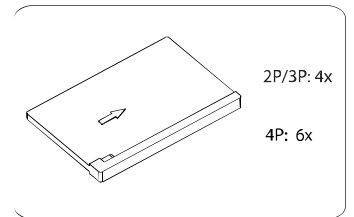
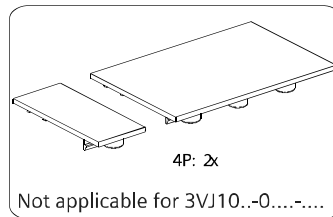
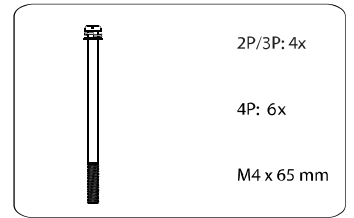
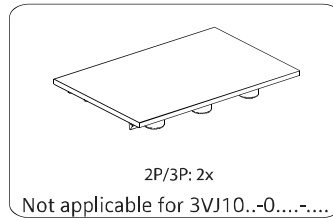
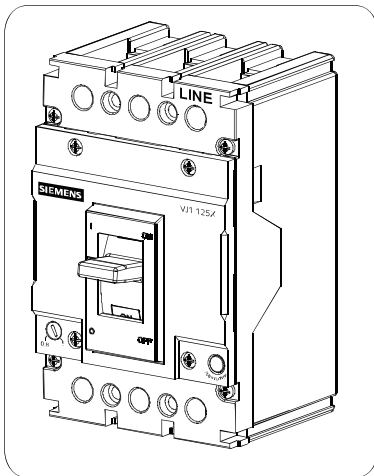
 	<b>⚠ DANGER</b> <b>Hazardous voltage will cause death or serious injury.</b> Turn off and lock out all power supply before working on this device. Replace all covers before power supplying this device is turned on.
	<b>NOTICE</b> Installation and maintenance must be carried out by qualified personnel.

## Required tools

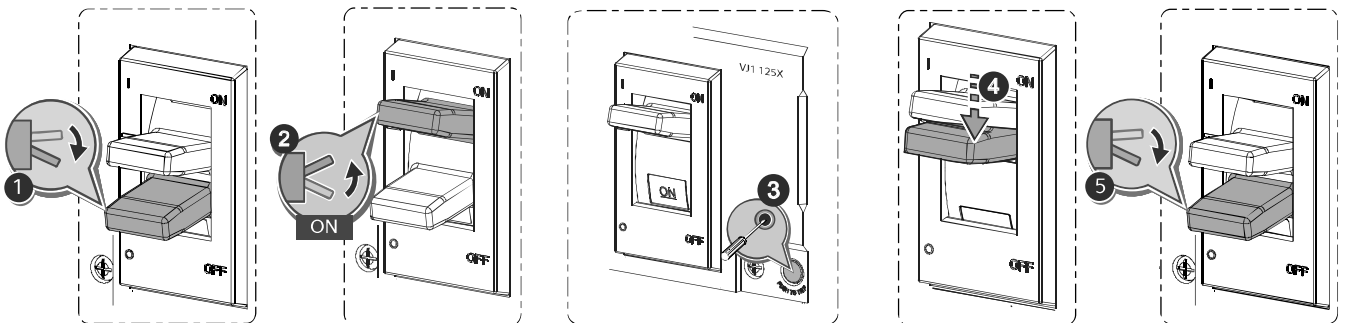


cal. ISO 6789

## Contents



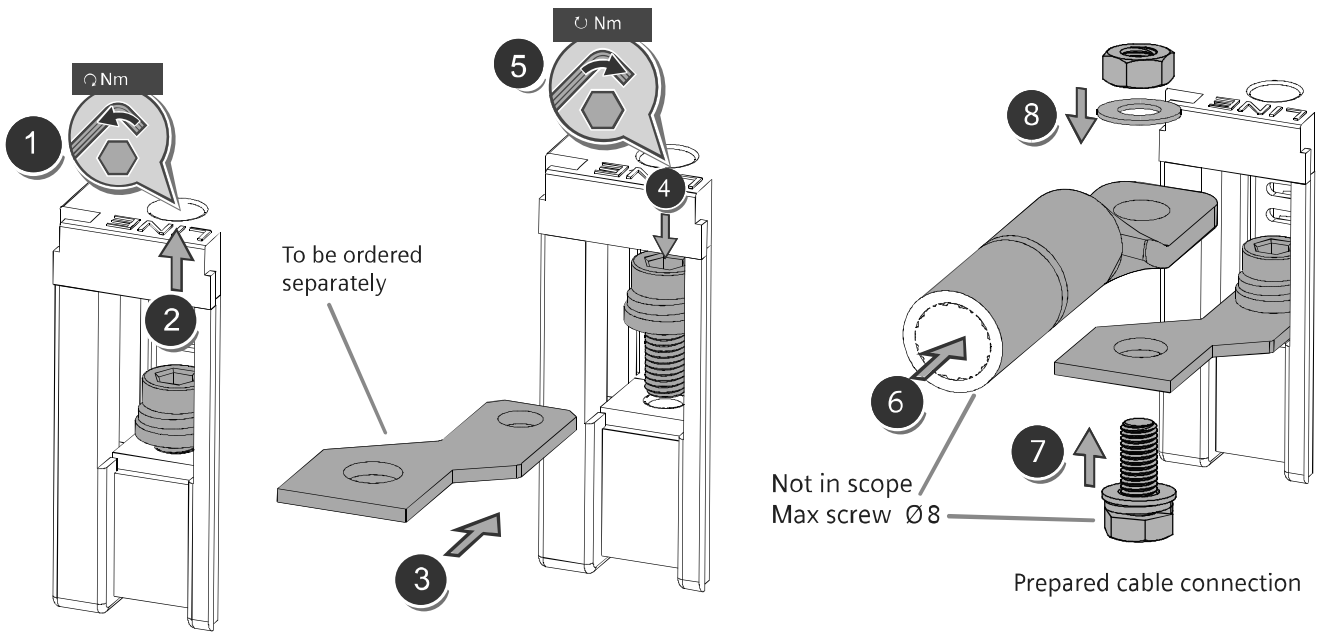
## Test



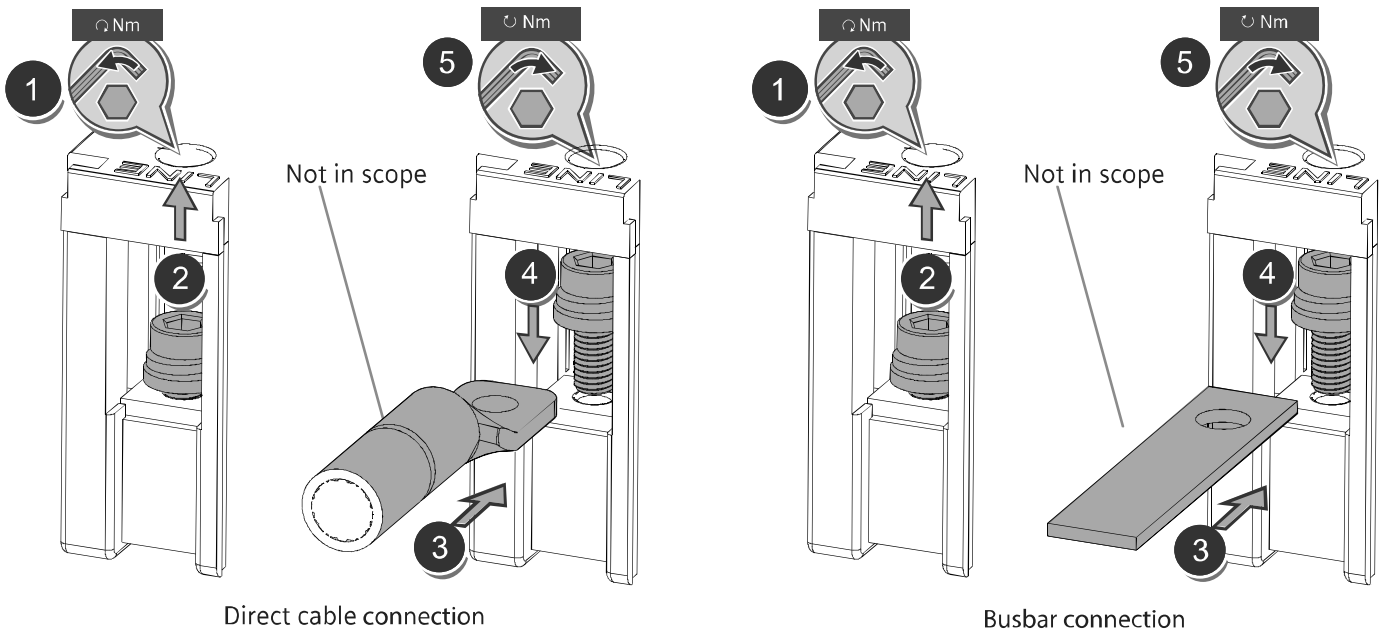
Technical Support: Internet: <https://www.siemens.com/support-request>



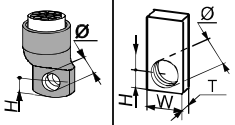


# Assembly



# Connection



	Cross Section Area mm <sup>2</sup>	W <sub>max</sub> mm	T mm	Ø mm	H mm	 mm	 Nm
	2.5~25	14	2~4	6.5	8	5	3

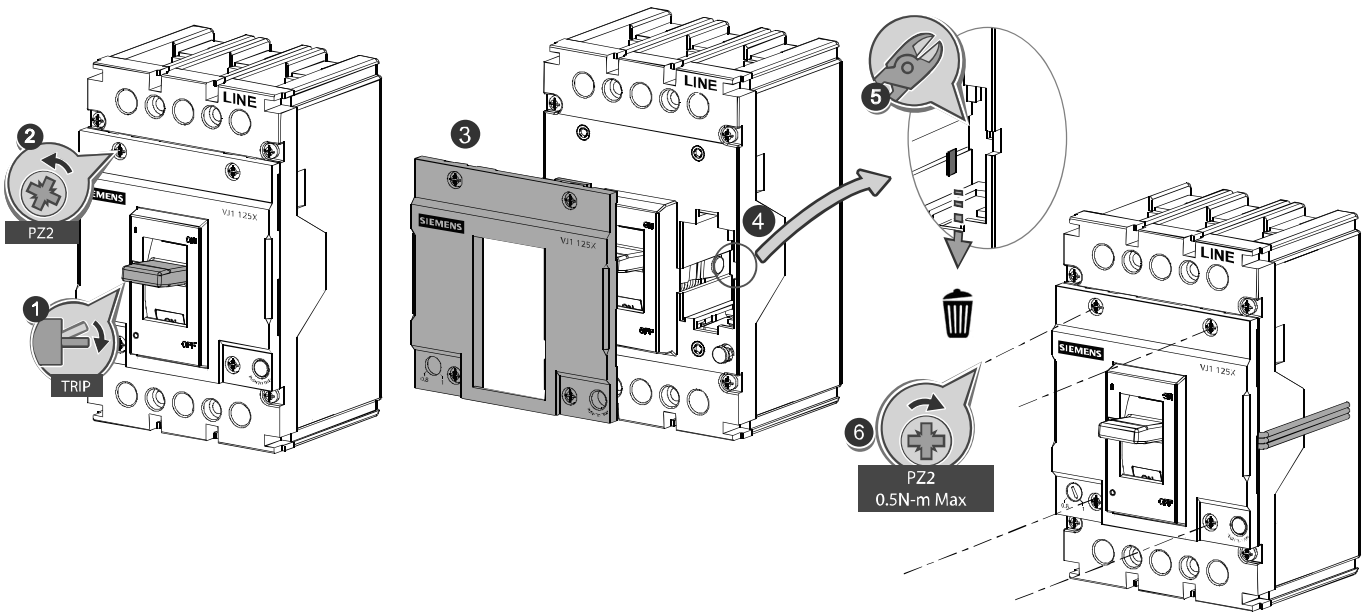


## Information



### **⚠ DANGER**

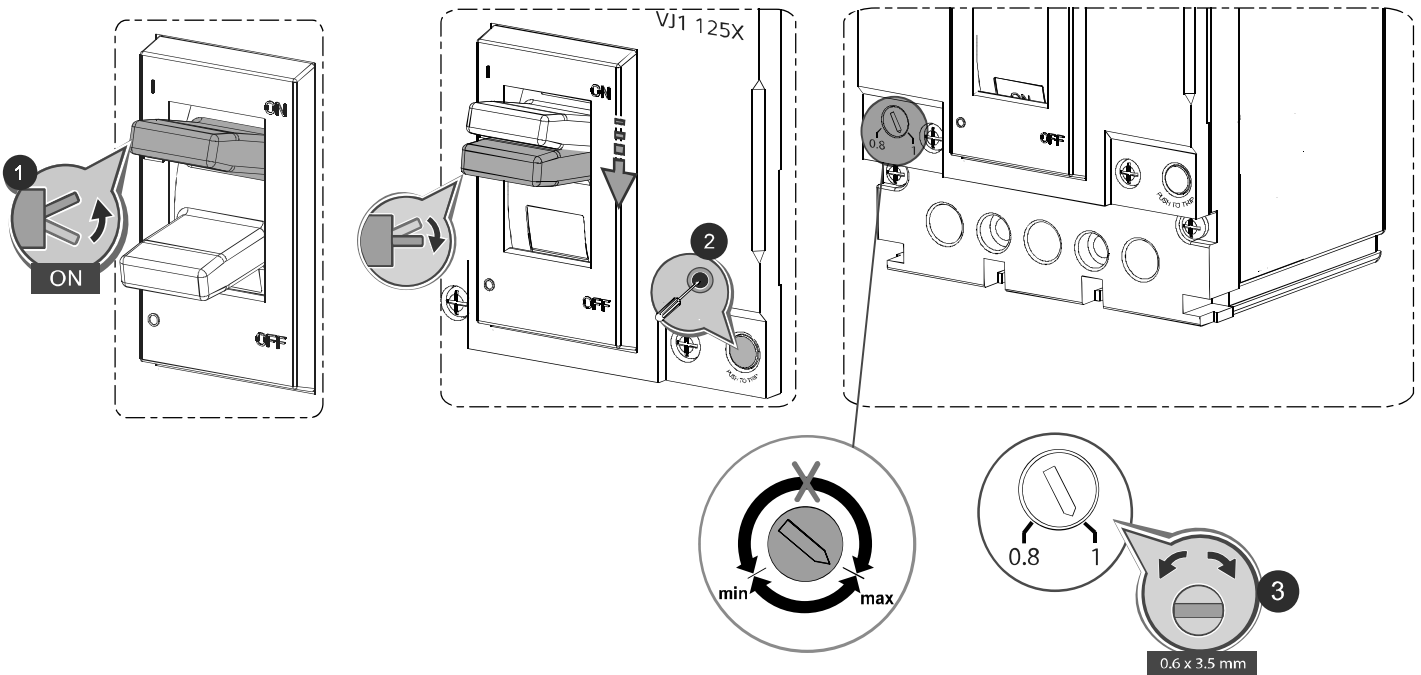
**Hazardous voltage will cause death or serious injury.** Turn off and lock out all power supply before working on this device. Replace all covers before power supplying this device is turned on.



## Settings



Ensure breaker in Trip position before changing settings.





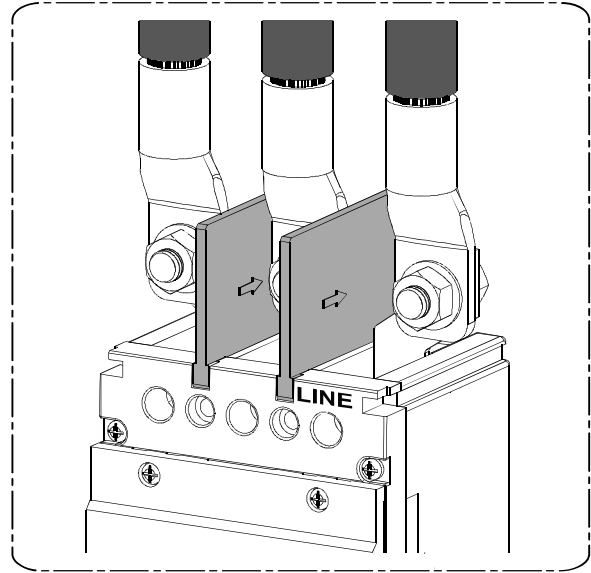
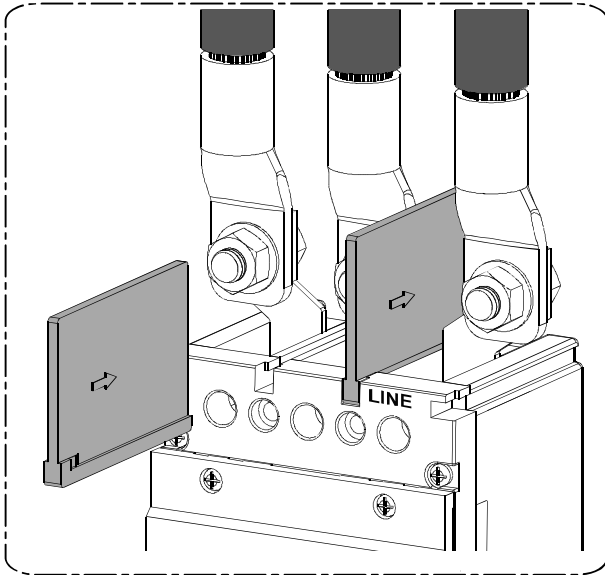
# Assembly



## ⚠ DANGER

**Hazardous voltage will cause death or serious injury.** Turn off and lock out all power supply before working on this device. Replace all covers before power supplying this device is turned on.

### Phase barriers

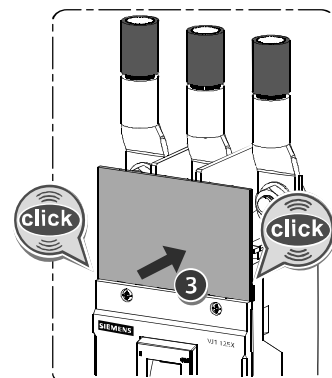
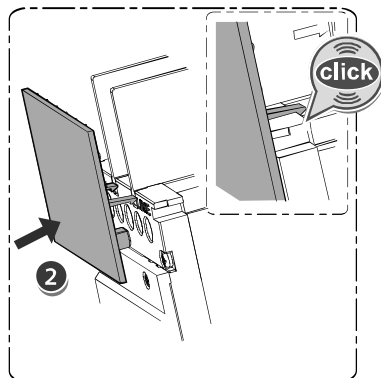
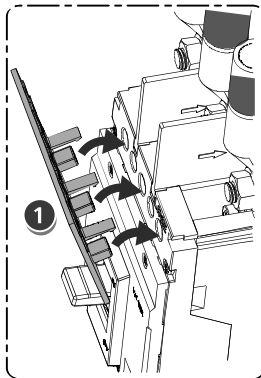


## ⚠ DANGER

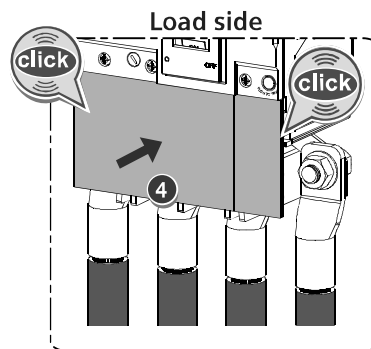
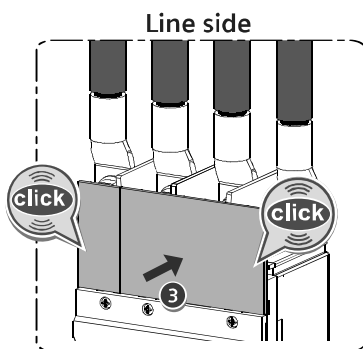
**Hazardous voltage will cause death or serious injury.** Turn off and lock out all power supply before working on this device. Replace all covers before power supplying this device is turned on.

### Front barriers

2P/3P



4P

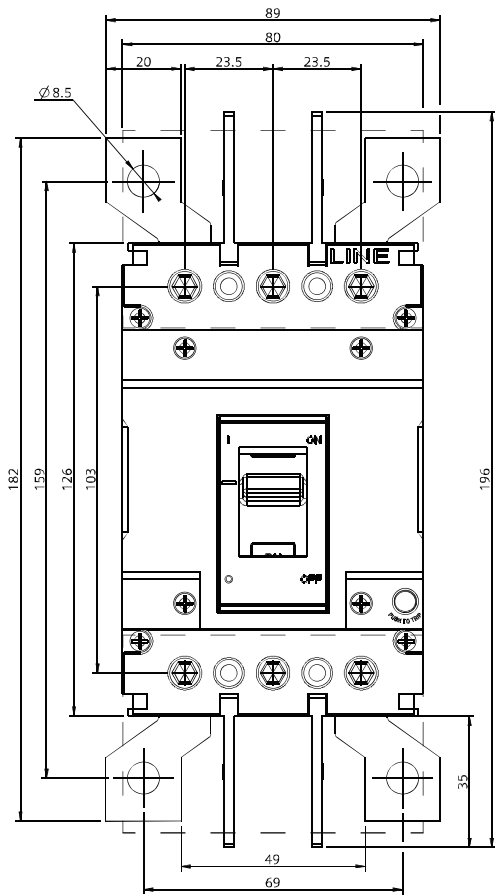


Ensure orientation as represented.

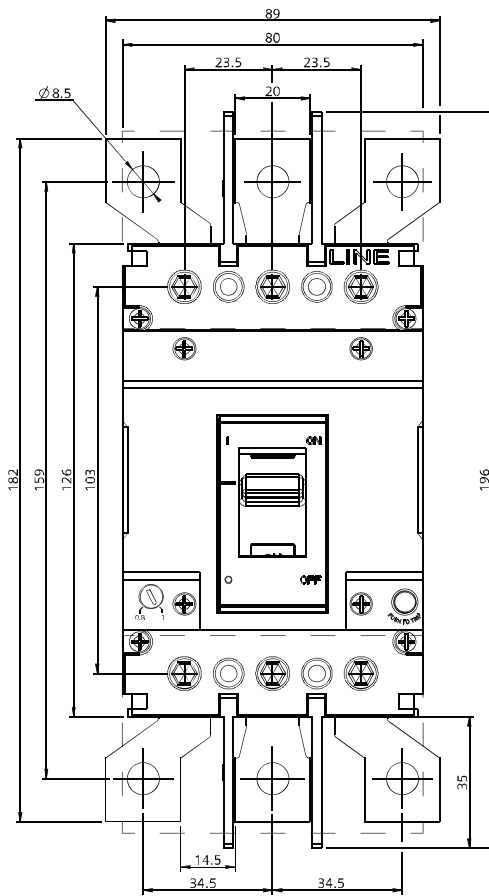
Not applicable for 3VJ10..-0....-....



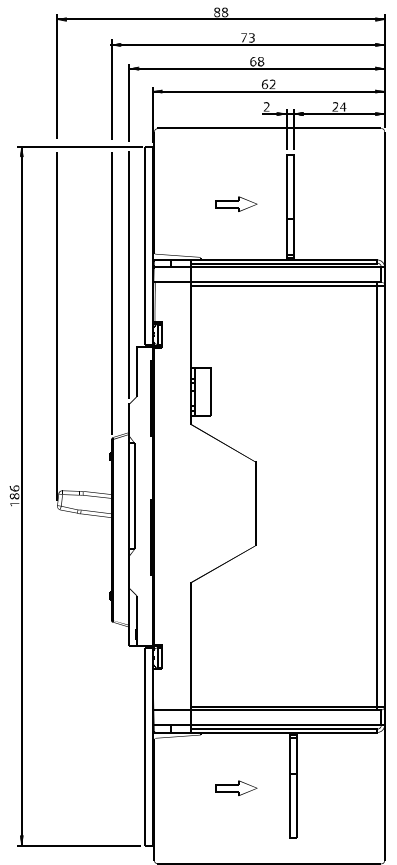
# Information



2P



3P

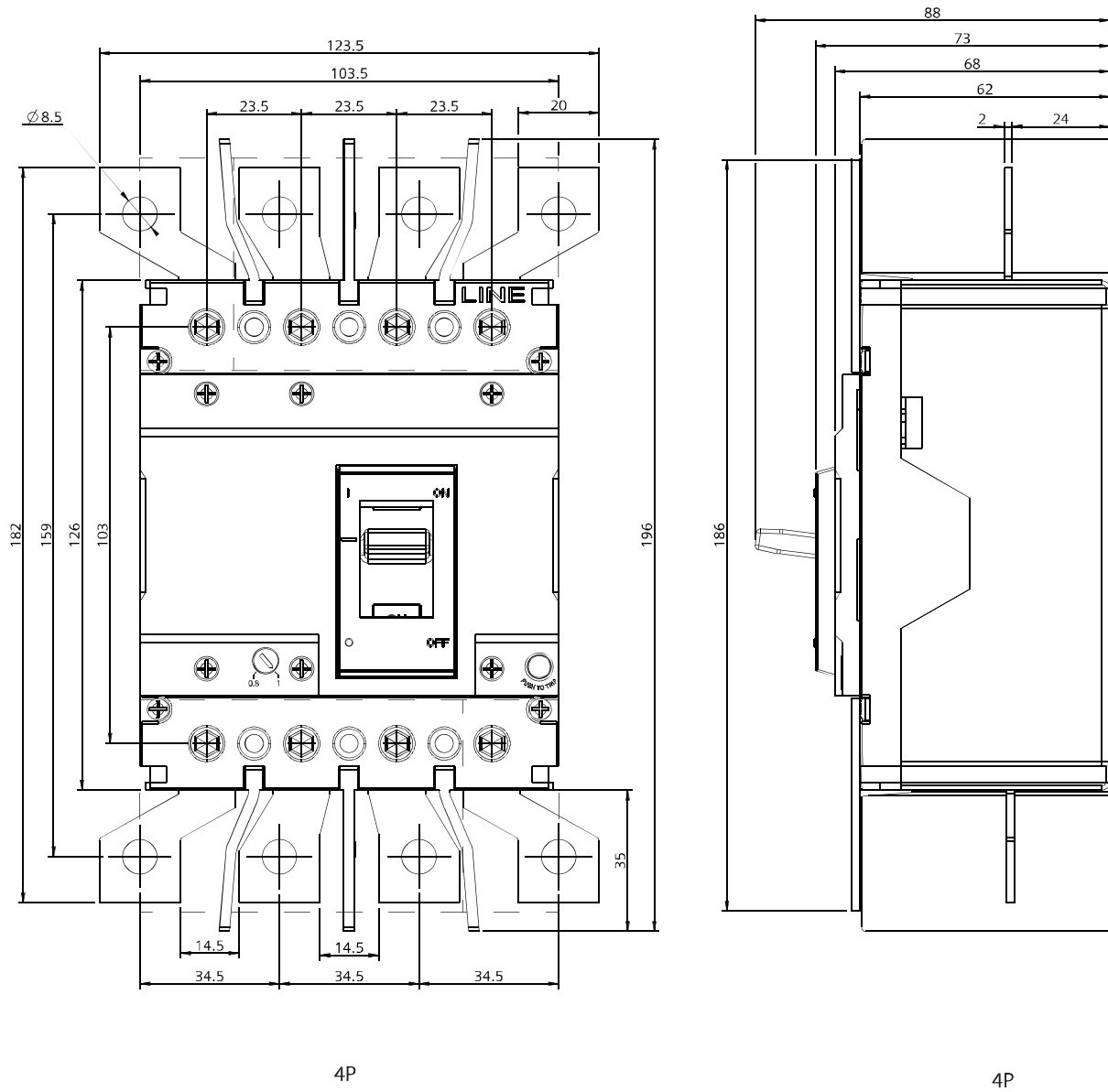


2P/3P

All dimensions are in mm



# Information



All dimensions are in mm



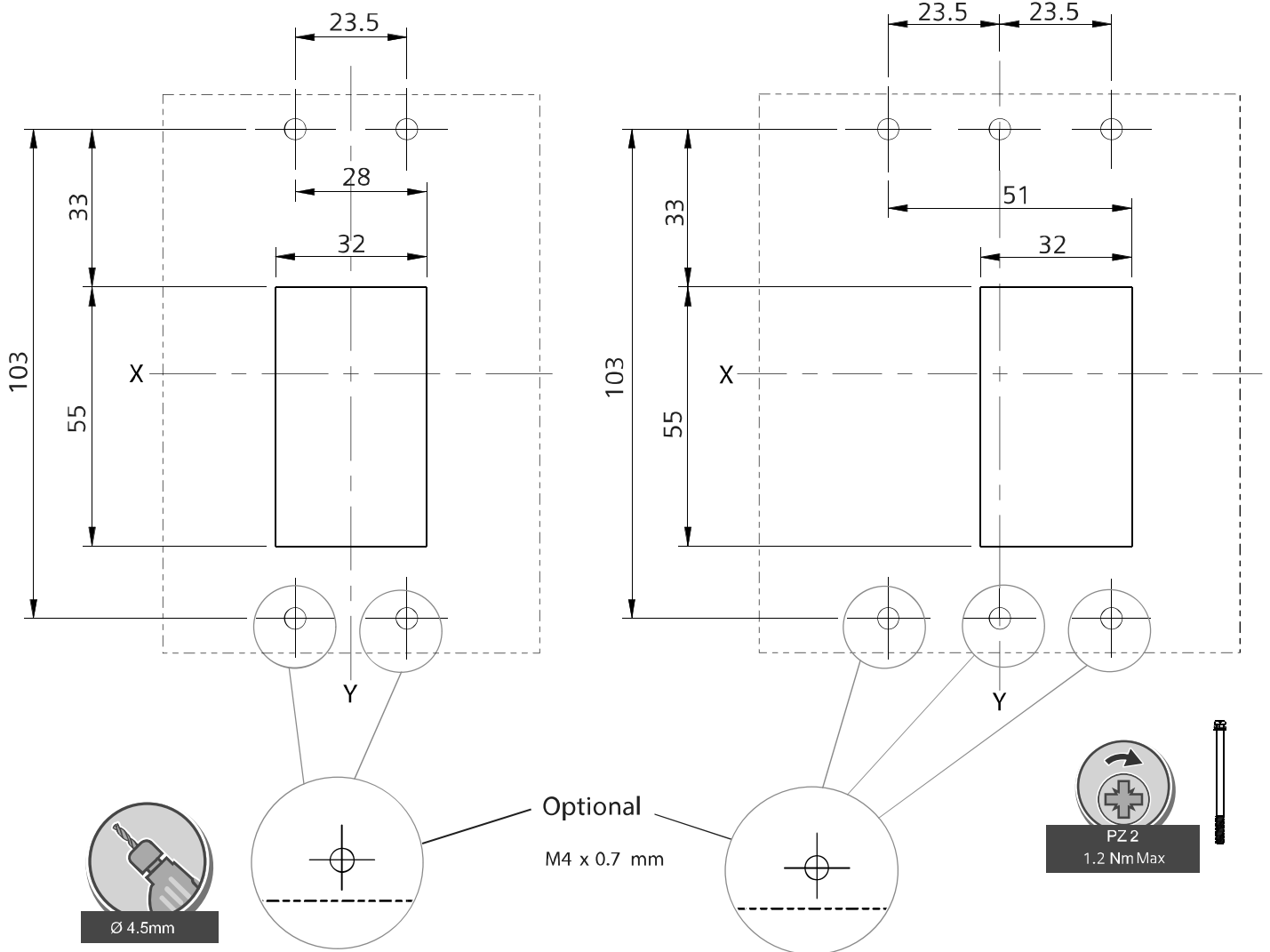
Assembly



Knob cutout

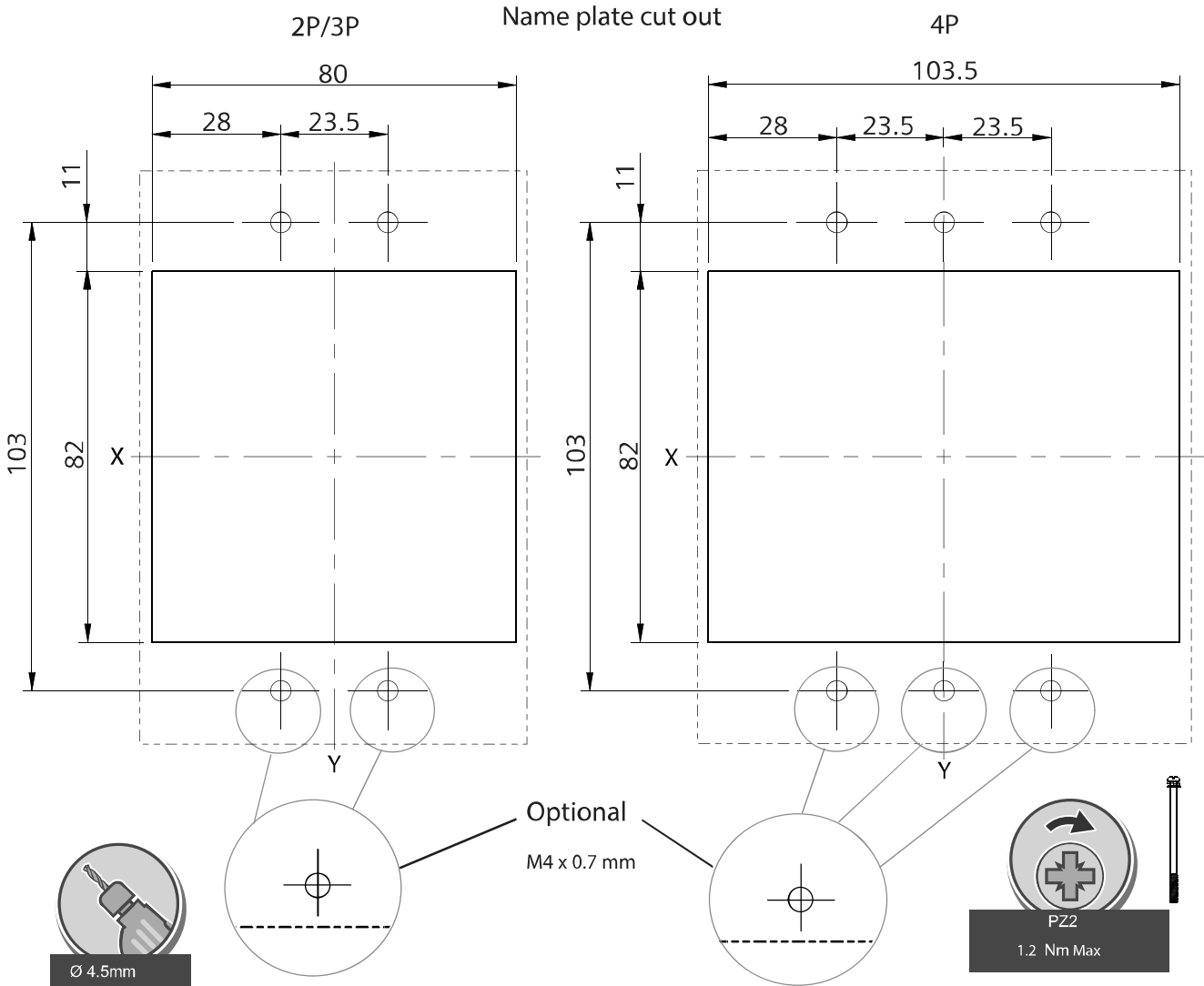
2P/3P

4P

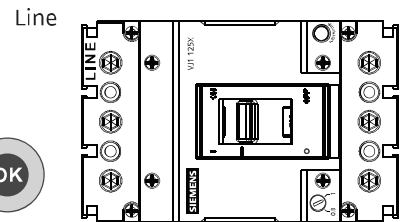
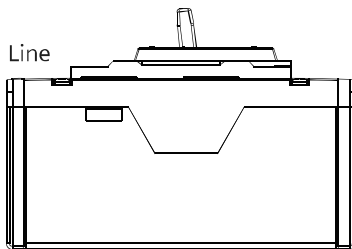
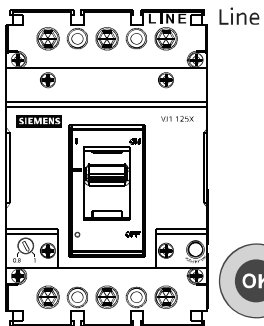




# Assembly



# Information



EN

## NOTICE

These instructions do not purport to cover all details or variations in equipment, or to provide for every possible contingency in connection with installation, operation, or maintenance. Should additional information be desired, please contact the local Siemens sales office. The contents of this instruction manual shall not become part of or modify any prior or existing agreement, commitment, or relationship. The sales contract contains the entire obligation of Siemens. The warranty contained in the contract between the parties is the sole warranty of Siemens. Any statements contained herein do not create new warranties or modify the existing warranty.

Trademarks - Unless otherwise noted, all names identified by ® are registered trademarks of Siemens AG or Siemens Industry, Inc. The remaining trademarks in this publication may be trademarks whose use by third parties for their own purposes could violate the rights of the owner.