

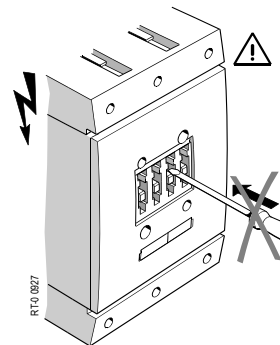
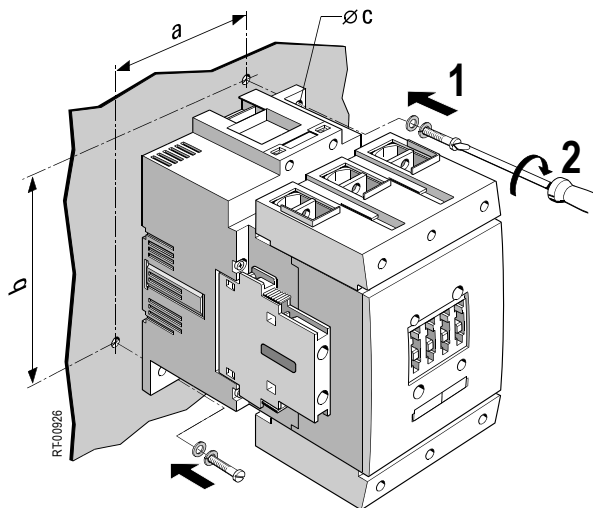


Operating Instructions 使用说明

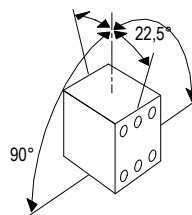
	English	DANGER	CAUTION
	Read and understand these instructions before installing, operating, or maintaining the equipment.	 Hazardous voltage. Will cause death or serious injury. Turn off and lock out all power supplying this device before working on this device.	Reliable functioning of the equipment is only ensured with certified components.
	安装、使用和维修本设备前必须先阅读并理解本说明。	 危险电压。可能导致生命危险或重伤危险。 操作设备时必须确保切断电源。	小心 只有使用经过认证的部件才能保证设备的正常运转。

EN	Assembly	中文	安装
-----------	-----------------	-----------	-----------

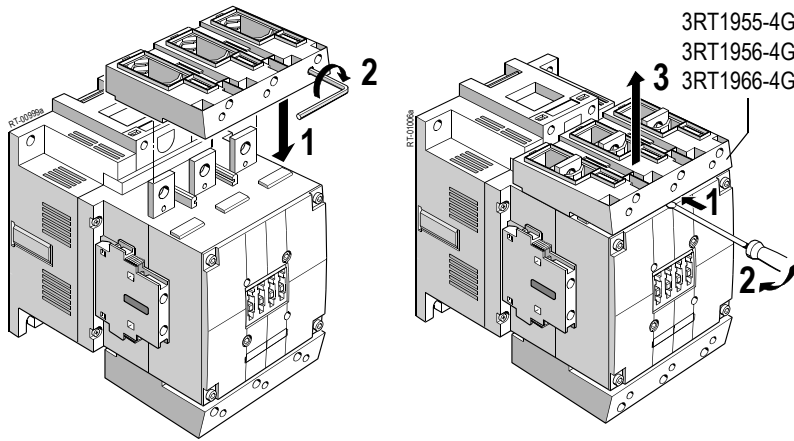


3RT505
3RT506
3RT507

	3RT505	3RT506	3RT507
a	100	120	130
b	130	180	180
c	7	9	9

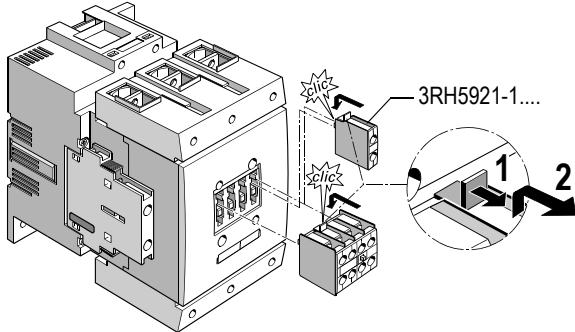


Technical Hotline:	Telephone: +86-400-810-4288 (8:30 - 17:15 UTC+8) E-mail: 4008104288.cn@siemens.com Internet: www.4008104288.com.cn or www.ad.siemens.com.cn/service	Fax: ++86-10-6471-9991
---------------------------	---	------------------------

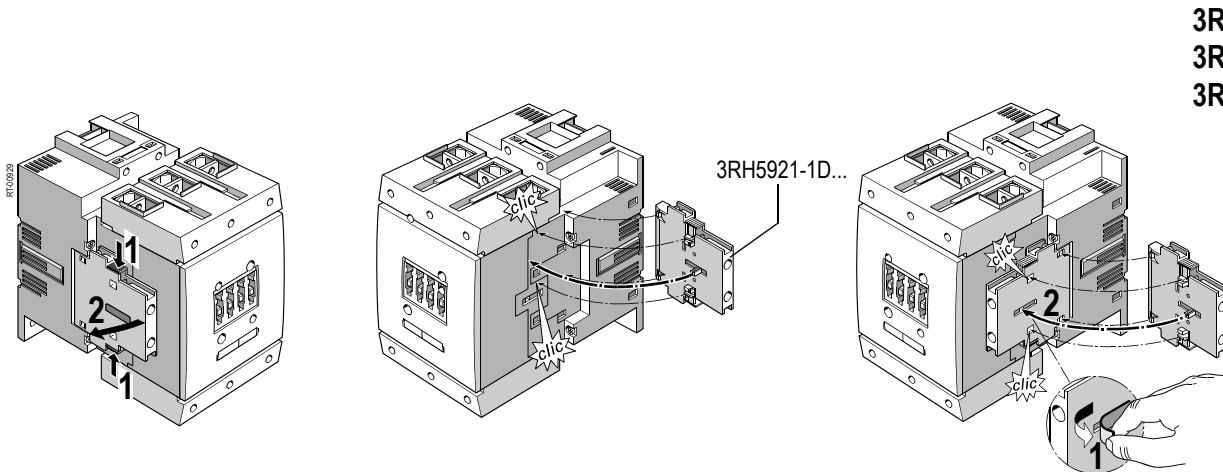


3RT505
3RT506
3RT507

3RT5956-4EA1
3RT5966-4EA1

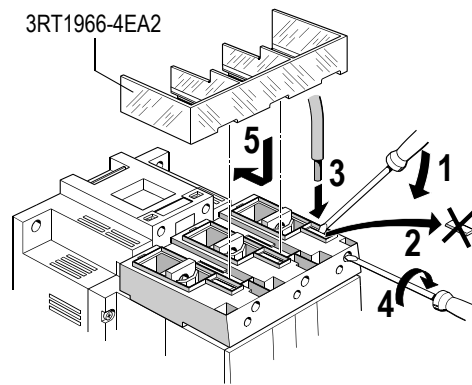
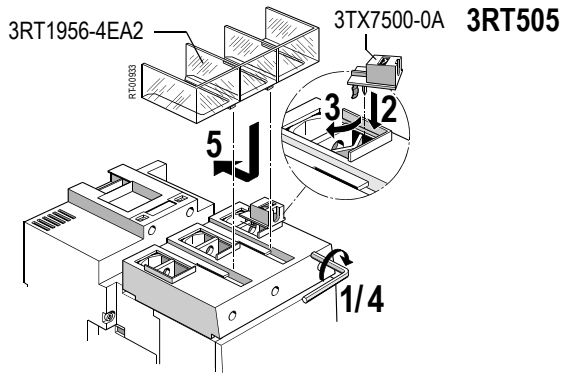


NC/NO: max. Stck. / pc.		
4 NC + 4 NO		
2 NC + 6 NO		
0 NC + 8 NO		

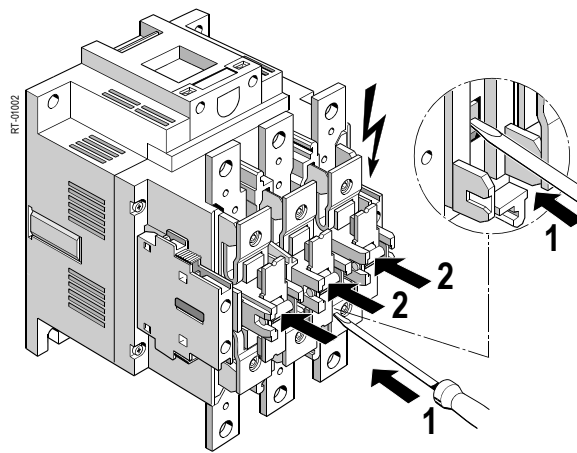
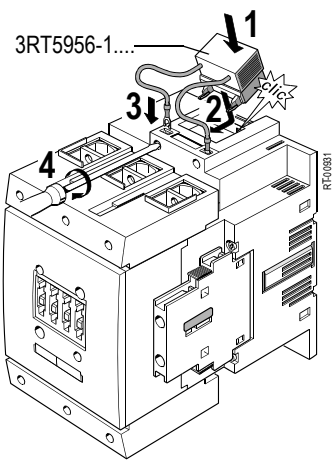


3RT505
3RT506
3RT507

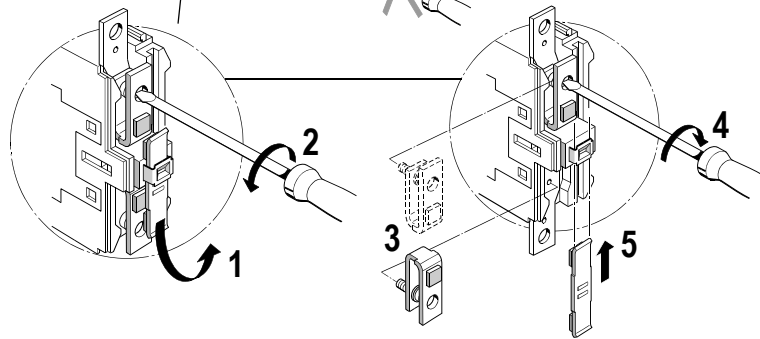
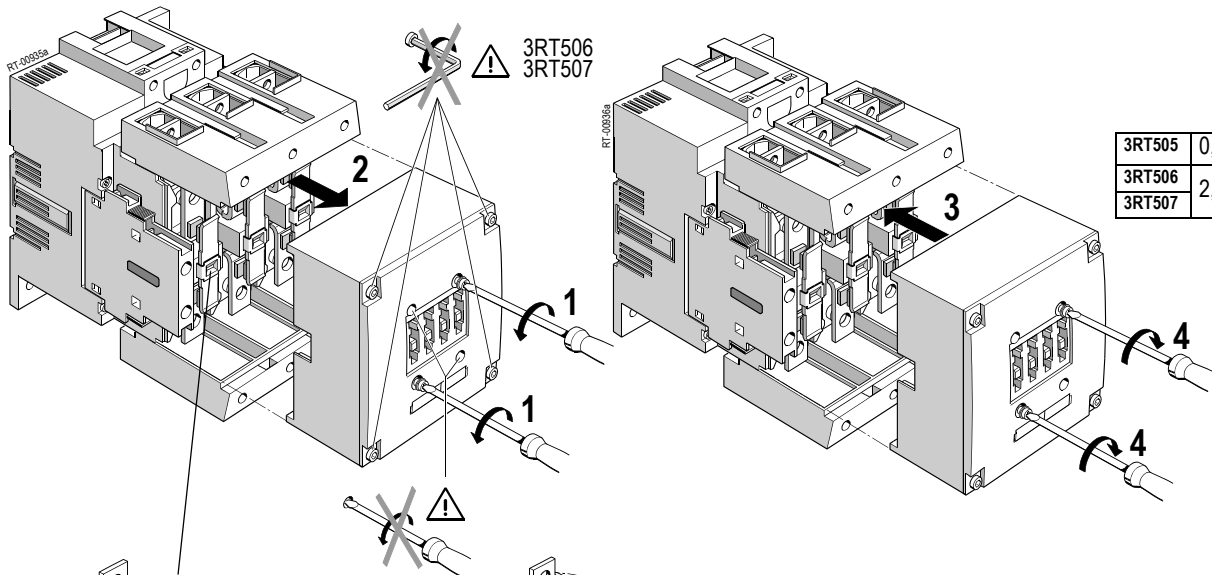
3RH5921-1D...



3RT506
3RT507

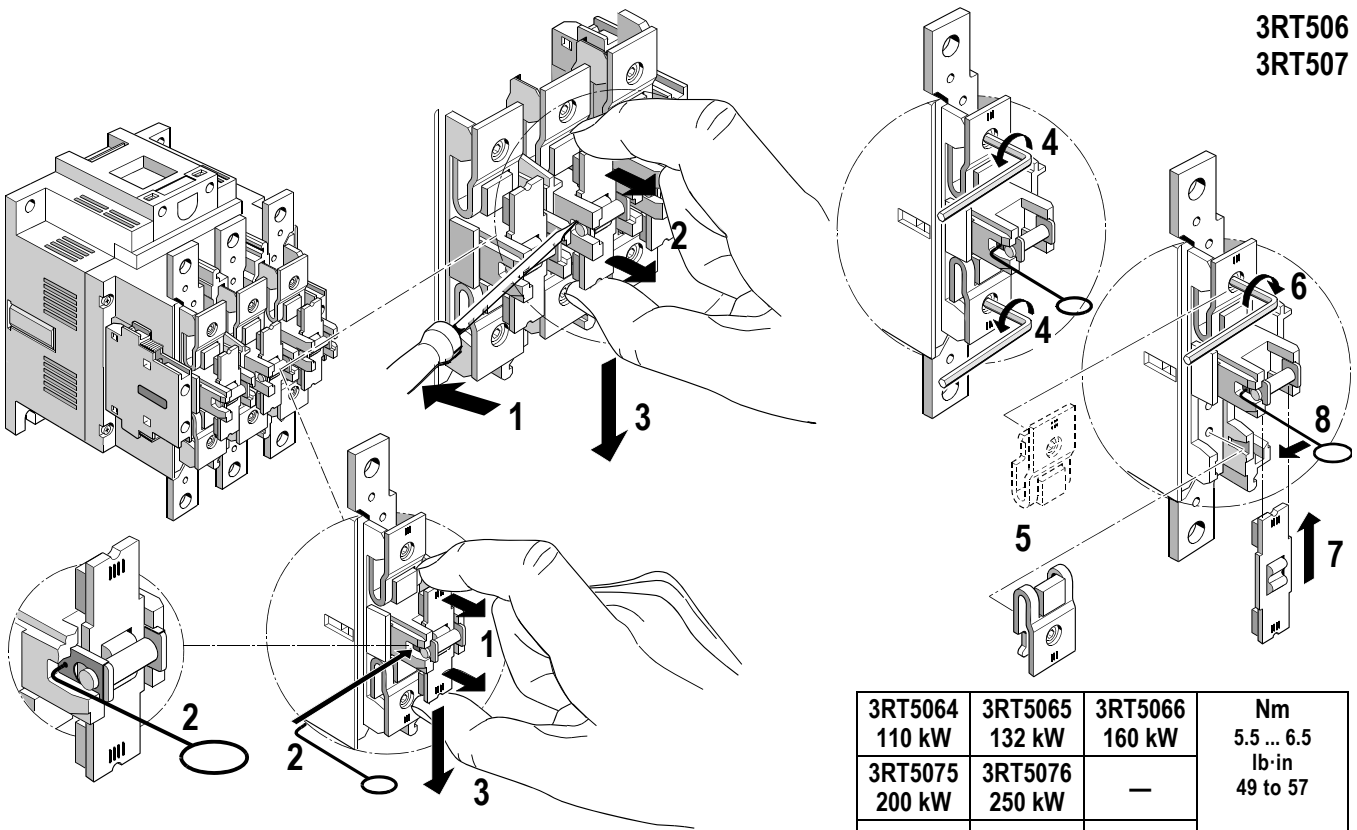


3RT505
3RT506
3RT507



3RT505

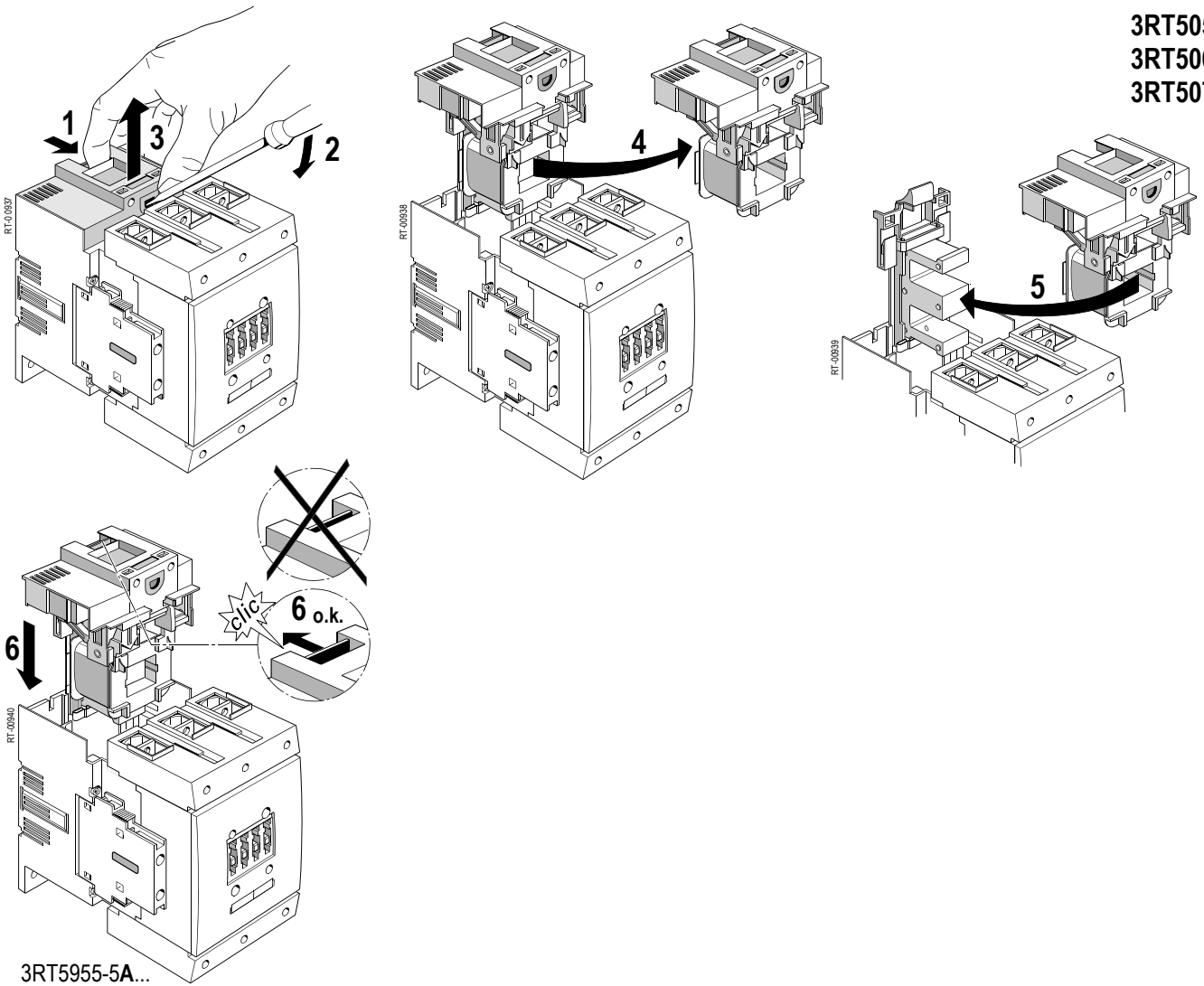
3RT5054 55 kW	3RT5055 75 kW	3RT5056 90 kW	Nm 1.5 ... 2.2 lb·in 13 to 19



3RT506 3RT507

3RT5064 110 kW	3RT5065 132 kW	3RT5066 160 kW	Nm 5.5 ... 6.5 lb·in 49 to 57
3RT5075 200 kW	3RT5076 250 kW	—	

3RT505
3RT506
3RT507



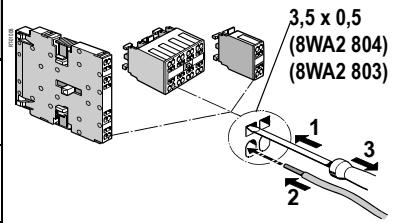
3RT5955-5A...
3RT5965-5A...
3RT5975-5A...

EN	Connect	中文	连接
----	---------	----	----

3RT505

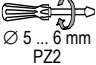
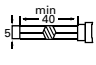
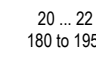


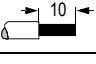
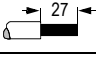
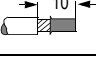
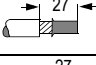
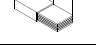
A1/A2; NO/NC		L1, L2, L3; T1, T2, T3			
3RH5921-1	3RH1921-2	3RT1955-4G	3RT1956-4G	3RT505-6....	
0,8 ... 1,2 Nm 7 to 10.3 lb-in PZ2	—	min	a = 27 10 ... 12 Nm 90 to 110 lb-in	a = 34 10 ... 12 Nm 90 to 110 lb-in	2 x 25 ... 120 mm ² 2 x AWG 4 to 250 kcmil
10	2 x 0,5 ... 1,5 mm ² 2 x 0,75 ... 2,5 mm ²	20	2 x 16 ... 50 mm ² 2 x AWG 6 to 1/0 1 x 50 mm ² 1 x 70 mm ² 1 x AWG 1/0; 1 x AGW 2/0	2 x 16 ... 95 mm ² 2 x AWG 6 to 3/0 1 x 95 mm ² 1 x 120 mm ² 1 x AWG 3/0; 1 x 250 kcmil	2 x 16 ... 95 mm ² 2 x AWG 6 to 3/0
10	2 x 0,5 ... 2,5 mm ²	20			2 x 15 x 4 mm M8 x 25 10 ... 14 Nm 89 to 124 lb-in
AWG	2 x 18 to 14	20	min. 3 x 9 x 0,8 max. 6 x 15,5 x 0,8	min. 3 x 9 x 0,8 max. 10 x 15,5 x 0,8	

3RH1921-2....



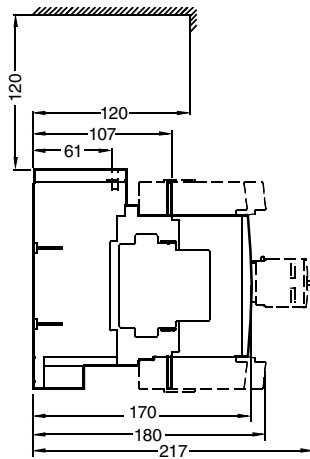
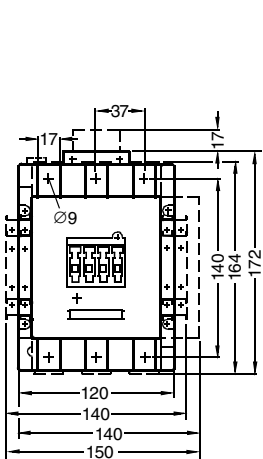
10	2 x 0,5 ... 2,5 mm ² AWG 2 x 18 to 14
10	0,5 ... 1,5 mm ² AWG 2 x 18 to 14

3RT506 / 3RT507

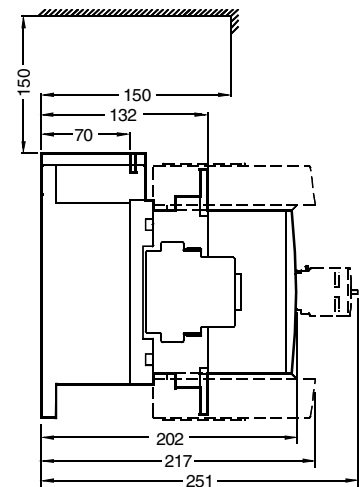
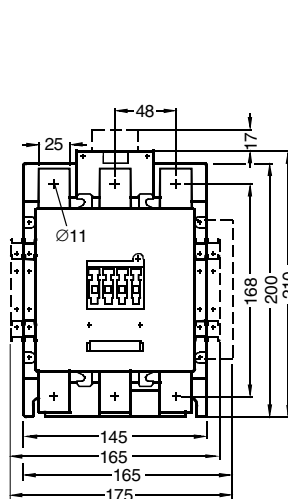
A1/A2; NO/NC 3RH5921-1		3RH1921-2	L1, L2, L3; T1, T2, T3 3RT1966-4G			3RT506 3RT507	
 Ø 5 ... 6 mm PZ2	0,8 ... 1,2 Nm 7 to 10.3 lb-in	—					2 x 70 ... 240 mm ² 2 x AWG 2/0 to 500 kcmil
	2 x 0,5 ... 1,5 mm ² 2 x 0,75 ... 2,5 mm ²	2 x 0,25 ... 2,5 mm ²		1 x 95 ... 300 mm ²	1 x 120 ... 240 mm ²	min. 70 + 70 mm ² max. 240 + 240 mm ²	2 x 50 ... 240 mm ² 2 x AWG 1/0 to 500 kcmil
	2 x 0,5 ... 2,5 mm ²	2 x 0,25 ... 1,5 mm ²		1 x 70 ... 240 mm ²	1 x 120 ... 185 mm ²	min. 50 + 50 mm ² max. 185 + 185 mm ²	2 x 25 x (...) mm M10 x 30 14 ... 24 Nm 124 to 210 lb-in
AWG	2 x 18 to 14	2 x 24 to 14		min. 6 x 9 x 0,8 max.: 20 x 24 x 0,5 11 x 21 x 1			

EN	Dimension drawings (all dimensions in mm)	中文	尺寸图 (单位: mm)
----	--	----	-----------------

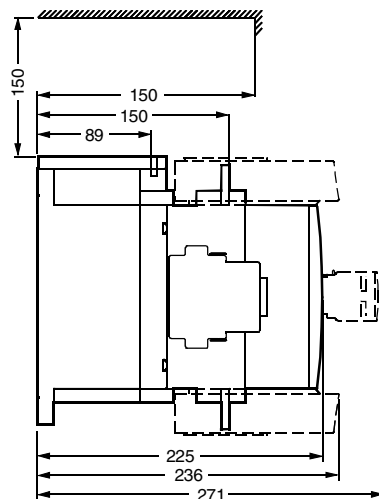
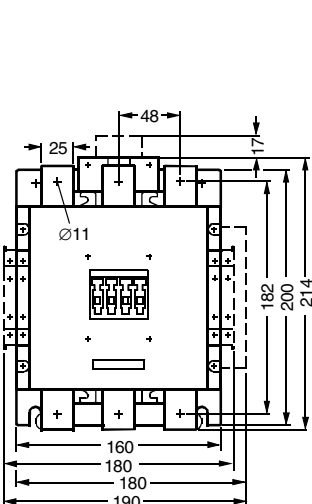
3RT505



3RT506



3RT507



SUITABLE FOR USE ON A CIRCUIT CAPABLE OF DELIVERING NOT MORE THAN X RMS SYMMETRICAL AMPERES; 600 V MAXIMUM:			
	3RT505 3RT5064	3RT5065 3RT5066 3RT5075	3RT5076
X	10,000 RMS	18,000 RMS	30,000 RMS