

MATSUSHITA Compressor

Single Phase

115 V
60 Hz

MODEL# QA110K27CAU6 (100µF Start Cap.) R-134a

Voltage Range 103 Volts to 127 Volts @ 60 Hz
Application High Back Pressure
Compressor Cooling Fan Cooling

Refrigerant Control Capillary Tube
Evaporator
Temp. Range 23°F to 59°F / -5°C to 15°C

Rated Performance Data

Capacity 3,926 Btu/h ±10% *
E.E.R. 7.51 Btu/Wh ±10% *
Current 6.06 Amps *

Nominal Motor Data Motor Input 523 Watts*
 Rated Current . . . 6.00 Amps
 Type CSIR, Current relay

Start Current 29.7 Amps
Coil Resistances Run 1.18 Ohms
 @ 68°F (20°C) Start . . . 7.51 Ohms

*Test Conditions for Performance Specifications

Test Oil Freol α 22
Shell Temp 170.0°F / 76.0°C
Condensing Temp 130.0°F / 54.4°C
Evaporating Temp 45.0°F / 7.2°C
Ambient Temp 95.0°F / 35.0°C
Gas Superheat 95.0°F / 35.0°C
Liquid Sub-Cooling 115.0°F / 46.1°C

Electrical Accessories†

Overload Protector
Nominal Operating Characteristics

Model Name MST18ALZ
Manufacturer Texas Instruments
Temperature To Open: 248°F ± 9°F / 120°C ± 5°C
 Close: 142°F ± 20°F / 61°C ± 11°C
Trip Current @158°F (70°C) 8.0 Amps ± 7.5%
 @77°F (25°C) 18.3 Amps @ 18 sec. max.

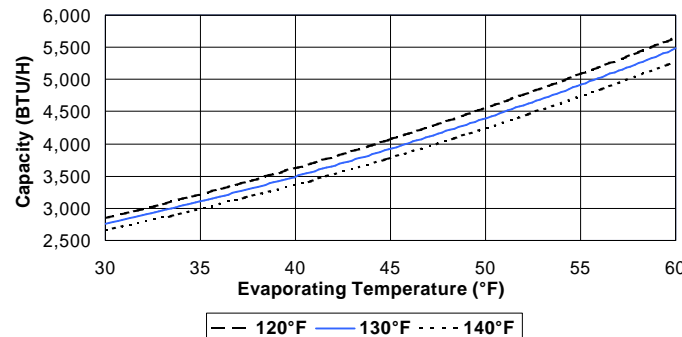
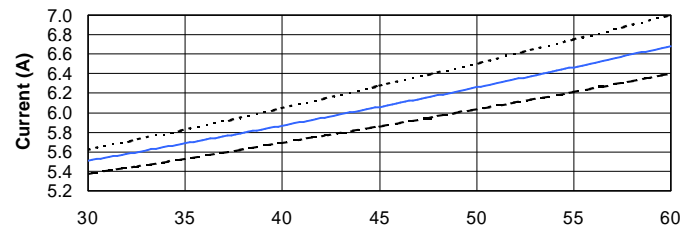
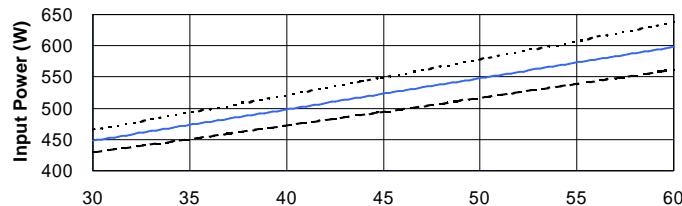
Current Relay Model
Nominal Operating Characteristics

Model Name MM5-E3CH
Manufacturer Matsushita
Pick Up Current 14.3 max. Amps
Drop Out Current 12.0 max. Amps

Start Capacitor 100 µF 160 V (min.)

†Although these accessories are listed by UL/CSA for use with this compressor, Matsushita assumes no responsibility whatsoever for these or any other components sourced by the refrigeration system manufacturer from third parties.

Performance Curves



9 - Point Data

Condensing Temp.	Rating	Evaporating Temp.		
		+30°F	+45°F	+59°F
140°F	Btu/h	2,660	3,780	5,169
	Watts	465	549	631
	Amps	5.62	6.27	6.95
	E.E.R.	5.72	6.89	8.19
130°F	Btu/h	2,759	3,926	5,364
	Watts	448	523	593
	Amps	5.51	6.06	6.64
	E.E.R.	6.16	7.51	9.05
120°F	Btu/h	2,847	4,070	5,534
	Watts	429	494	557
	Amps	5.37	5.86	6.36
	E.E.R.	6.64	8.24	9.94

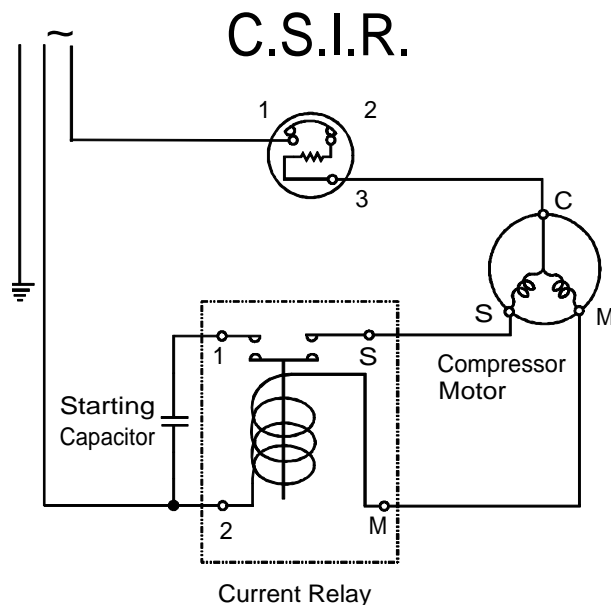
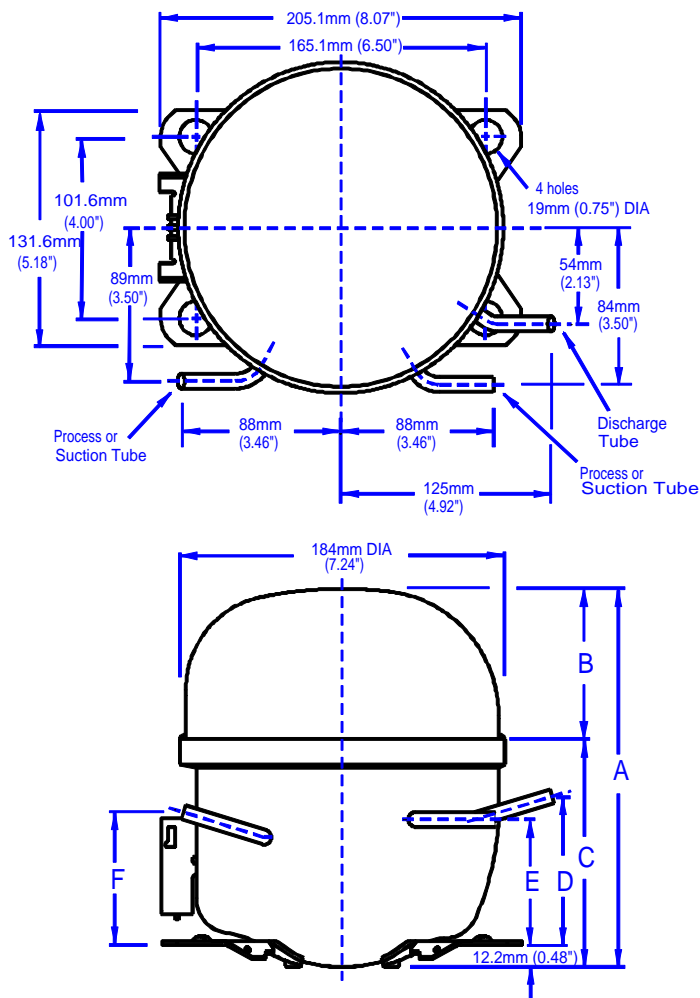
MATSUSHITA Compressor

MODEL# QA110K27CAU6 (100 μ F Start Cap.) R-134a

Single Phase

115 V

60 Hz



Dimensions*

	mm	inches
A	208.6	8.21
B	92.8	3.65
C	115.8	4.56
D	77.0	3.03
E	62.2	2.45
F	77.0	3.03

* All dimensions are for reference only

This document sets forth certain operational parameters and conditions for operation of this product. If this product is operated outside of the parameters and conditions stated herein, buyer assumes sole and full responsibility and shall indemnify seller with respect to all product failures and all consequences thereof. Operation of the product outside of the parameters and conditions specified herein shall serve to invalidate all seller warranties, if any, with respect to the product. This document is for reference only. For specifications, please contact Panasonic's engineering department.

Tubes	Tube O.D.	Wall	Material
Suction	0.39 in. / 10 mm	0.035 in. / 0.9 mm	Copper
Process	0.39 in. / 10 mm	0.035 in. / 0.9 mm	Copper
Discharge	0.33 in. / 8.3 mm	0.035 in. / 0.9 mm	Copper

U.L. File # SA 4615
 C.S.A. File #'s LR - 34080
 LR - 36593
 LR - 100738

General Data	Oil Charge
Oil Charge	250 cc \pm 5 cc / 15.3 cu.in. \pm 0.3 cu.in.
Net Weight With Oil	22.2 lbs, 10.1 kg
Approved Oils	FREOL α 22
Residual Moisture	120 mg max.
Impurities	10 mg max.
Displacement	10.86 cc. / 0.663 cu. in.

Panasonic®

Panasonic Industrial Company
 Refrigeration Products Department
 Tel: 201 - 392 - 4249
 Fax: 201 - 392 - 4315

Rev#1-5/9

MATSUSHITA Compressor

MODEL# QA110K27GAU6

Single Phase
R-134a

115 V
60 Hz

Voltage Range 103 Volts to 127 Volts @ 60 Hz
Application High Back Pressure
Compressor Cooling Fan Cooling

Refrigerant Control . . . Capillary Tube
Evaporator
Temp. Range 23°F to 59°F / -5°C to 15°C

Rated Performance Data

Capacity 3,926 Btu/h ±10% *
E.E.R. 7.51 Btu/Wh ±10% *
Current 6.06 Amps *

Nominal Motor Data Motor Input 523 Watts*
 Rated Current . . . 6.00 Amps
 Type RSIR, PTC relay

Locked Rotor 30.7 Amps
Start Current 36.4 Amps
Coil Resistances Run 1.18 Ohms
 @ 68°F (20°C) Start . . . 7.00 Ohms

*Test Conditions for Performance Specifications

Test Oil Freol α 22
Shell Temp 170.0°F / 76.0°C
Condensing Temp 130.0°F / 54.4°C
Evaporating Temp 45.0°F / 7.2°C
Ambient Temp 95.0°F / 35.0°C
Gas Superheat 95.0°F / 35.0°C
Liquid Sub-Cooling . . . 115.0°F / 46.1°C

Electrical Accessories†

Overload Protector
Nominal Operating Characteristics

Model Name MST18ALZ
Manufacturer Texas Instruments
Temperature To Open: 248°F ± 9°F / 120°C ± 5°C
 Close: 142°F ± 20°F / 61°C ± 11°C
Trip Current @ 158°F (70°C) 8.0 Amps ± 7.5%
 @ 77°F (25°C) 18.3 Amps @ 18 sec. max.

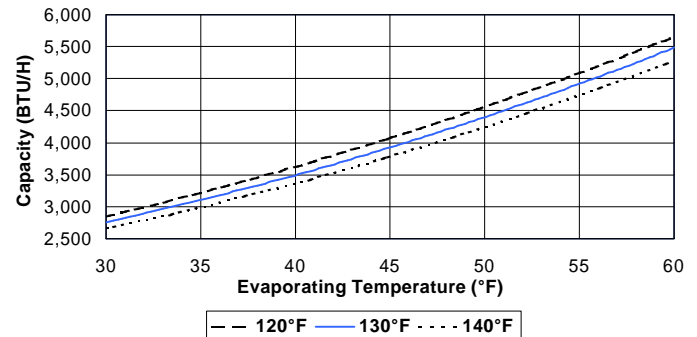
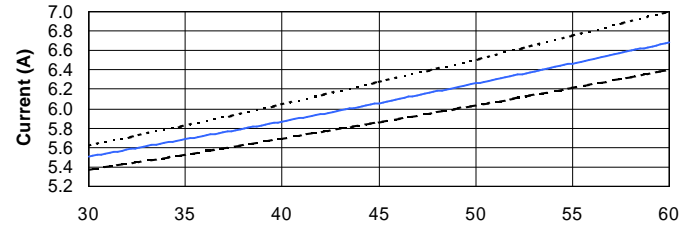
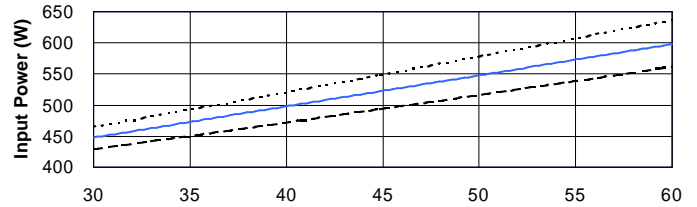
P.T.C. Starting Device
Nominal Operating Characteristics

Model Name	MM8-5CDP4M7	PTH7M4R7MC1	
Manufacturer	Matsushita	Murata Mfg.	
Base resistance			
@ 77°F(25°C) ±20%	4.7	4.7	Ohms
Power Consumption (max)	4.0	3.0	Watts
Operation time	1.5 to 3.5	0.7 to 2.2	seconds
Recovery time (max)	85	70	seconds

Run Capacitor — μF — V (min.)

†Although these accessories are listed by UL/CSA for use with this compressor, Matsushita assumes no responsibility whatsoever for these or any other components sourced by the refrigeration system manufacturer from third parties.

Performance Curves



9 - Point Data

Condensing Temp.	Rating	Evaporating Temp.		
		+30°F	+45°F	+59°F
140°F	Btu/h	2,660	3,780	5,469
	Watts	465	549	631
	Amps	5.62	6.27	6.95
	E.E.R.	5.72	6.89	8.19
130°F	Btu/h	2,759	3,926	5,364
	Watts	448	523	593
	Amps	5.51	6.06	6.64
	E.E.R.	6.16	7.51	9.05
120°F	Btu/h	2,847	4,070	5,534
	Watts	429	494	557
	Amps	5.37	5.86	6.36
	E.E.R.	6.64	8.24	9.94



Panasonic Industrial Company
Refrigeration Products Department
Tel: 201 - 392 - 4249
Fax: 201 - 392 - 4315

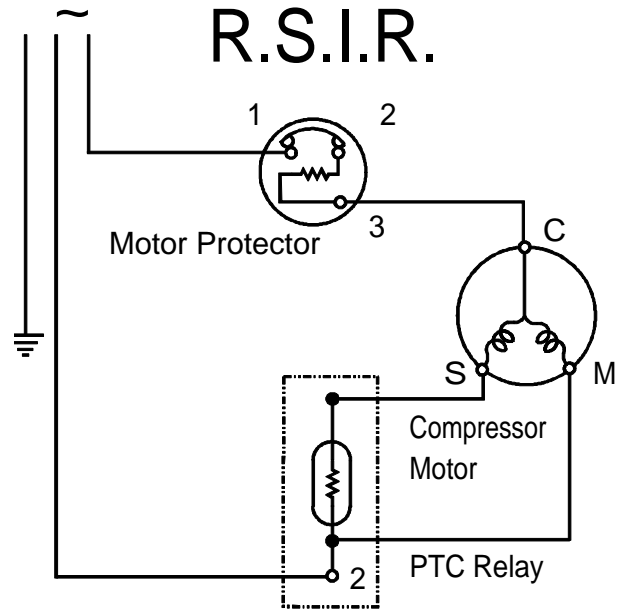
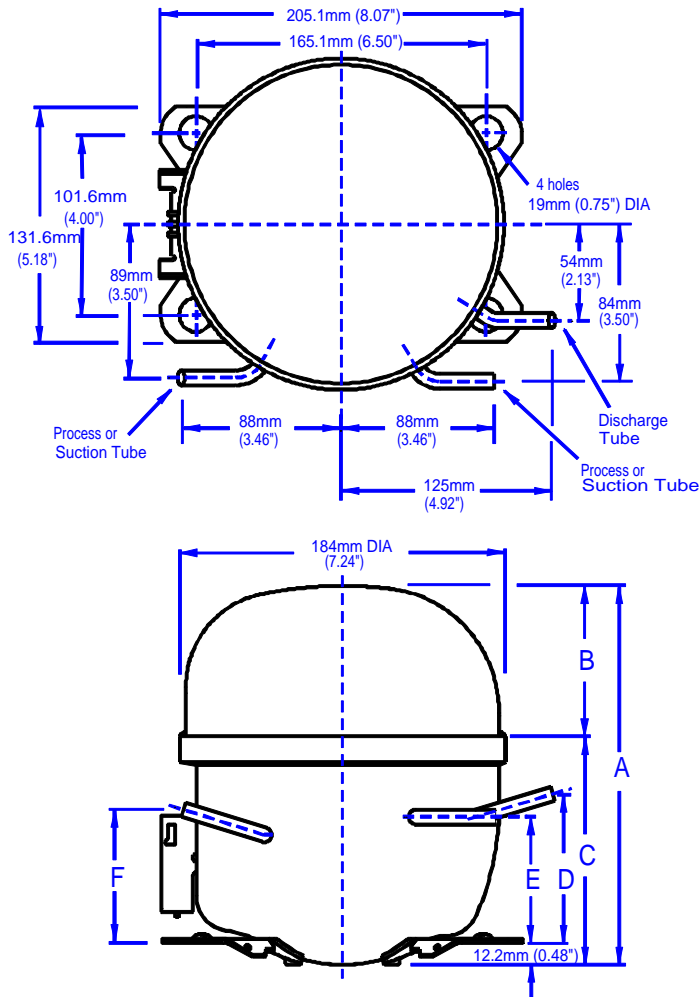
Rev#1-5/9

MATSUSHITA Compressor

MODEL# QA110K27GAU6

Single Phase
R-134a

115 V
60 Hz



Dimensions*

	mm	inches
A	208.6	8.21
B	92.8	3.65
C	115.8	4.56
D	77.0	3.03
E	62.2	2.45
F	77.0	3.03

* All dimensions are for reference only

This document sets forth certain operational parameters and conditions for operation of this product. If this product is operated outside of the parameters and conditions stated herein, buyer assumes sole and full responsibility and shall indemnify seller with respect to all product failures and all consequences thereof. Operation of the product outside of the parameters and conditions specified herein shall serve to invalidate all seller warranties, if any, with respect to the product. This document is for reference only. For specifications, please contact Panasonic's engineering department.

Tubes	Tube O.D.	Wall	Material
Suction	0.39 in. / 10 mm	0.035 in. / 0.9 mm	Copper
Process	0.39 in. / 10 mm	0.035 in. / 0.9 mm	Copper
Discharge	0.33 in. / 8.3 mm	0.035 in. / 0.9 mm	Copper

U.L. File # SA 4615
 C.S.A. File #'s LR - 34080
 LR - 36593
 LR - 100738

General Data	Oil Charge
Oil Charge	250 cc ± 5 cc / 15.3 cu.in. ± 0.3 cu.in.
Net Weight With Oil	22.2 lbs, 10.1 kg
Approved Oils	FREOL α 22
Residual Moisture	120 mg max.
Impurities	10 mg max.
Displacement	10.86 cc. / 0.663 cu. in.

Panasonic®

Panasonic Industrial Company
 Refrigeration Products Department
 Tel: 201 - 392 - 4249
 Fax: 201 - 392 - 4315

Rev#1-5/9

MATSUSHITA Compressor

MODEL# QA125K29CAU6 (100µF Start Cap.) R-134a

Single Phase

115 V
60 Hz

Voltage Range 103 Volts to 127 Volts @ 60 Hz
Application High Back Pressure
Compressor Cooling Fan Cooling

Refrigerant Control . . . Capillary Tube
Evaporator
Temp. Range 23°F to 59°F / -5°C to 15°C

Rated Performance Data

Capacity 4,524 Btu/h ±10% *
E.E.R. 7.08 Btu/Wh ±10% *
Current 6.88 Amps *

Nominal Motor Data Motor Input 639 Watts*
 Rated Current . . 6.01 Amps
 Type CSIR, Current relay

Start Current 30.7 Amps
Coil Resistances Run 1.06 Ohms
 @ 68°F (20°C) Start . . . 7.53 Ohms

*Test Conditions for Performance Specifications

Test Oil Freol α 22
Shell Temp 170.0°F / 76.0°C
Condensing Temp 130.0°F / 54.4°C
Evaporating Temp 45.0°F / 7.2°C
Ambient Temp 95.0°F / 35.0°C
Gas Superheat 95.0°F / 35.0°C
Liquid Sub-Cooling 115.0°F / 46.1°C

Electrical Accessories†

Overload Protector
Nominal Operating Characteristics

Model Name MST00AKZ
Manufacturer Texas Instruments
Temperature To Open: 248°F ± 9°F / 120°C ± 5°C
 Close: 142°F ± 20°F / 61°C ± 11°C
Trip Current @158°F (70°C) 10.3 Amps ± 7.5%
 @77°F (25°C) 20.0 Amps @ 18 sec. max.

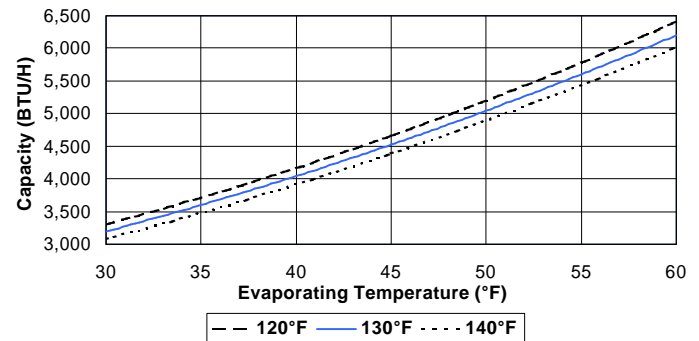
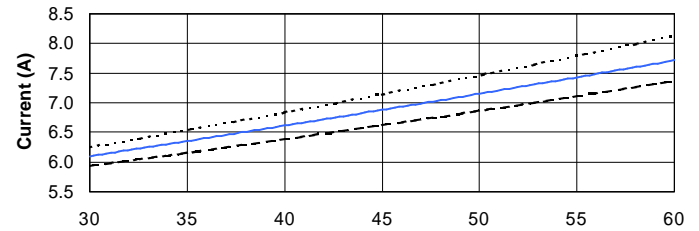
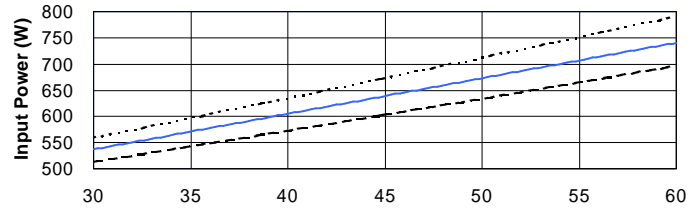
Current Relay Model
Nominal Operating Characteristics

Model Name MM5-E3CH
Manufacturer Matsushita
Pick Up Current 14.3 max. Amps
Drop Out Current 12.0 max. Amps

Start Capacitor 100 µF 160 V (min.)

†Although these accessories are listed by UL/CSA for use with this compressor, Matsushita assumes no responsibility whatsoever for these or any other components sourced by the refrigeration system manufacturer from third parties.

Performance Curves



9 - Point Data

Condensing Temp.	Rating	Evaporating Temp.		
		+30°F	+45°F	+59°F
140°F	Btu/h	3,076	4,384	5,896
	Watts	559	673	783
	Amps	6.25	7.14	8.06
	E.E.R.	5.50	6.51	7.53
130°F	Btu/h	3,196	4,524	6,077
	Watts	537	639	734
	Amps	6.10	6.88	7.66
	E.E.R.	5.95	7.08	8.28
120°F	Btu/h	3,302	4,657	6,275
	Watts	513	603	690
	Amps	5.93	6.62	7.31
	E.E.R.	6.44	7.72	9.09

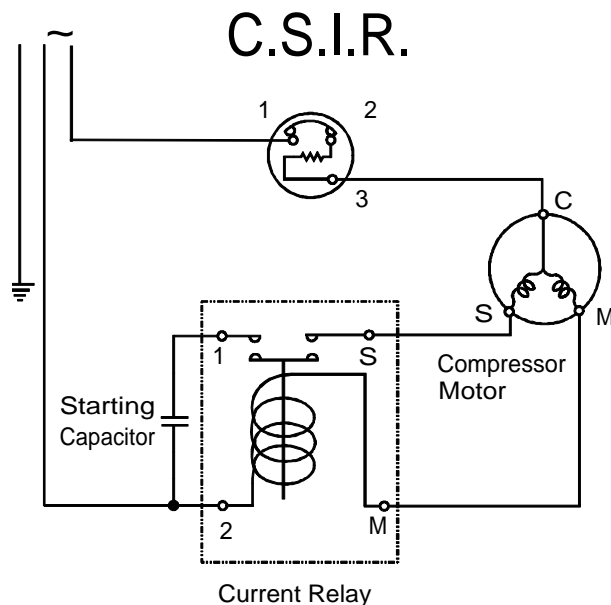
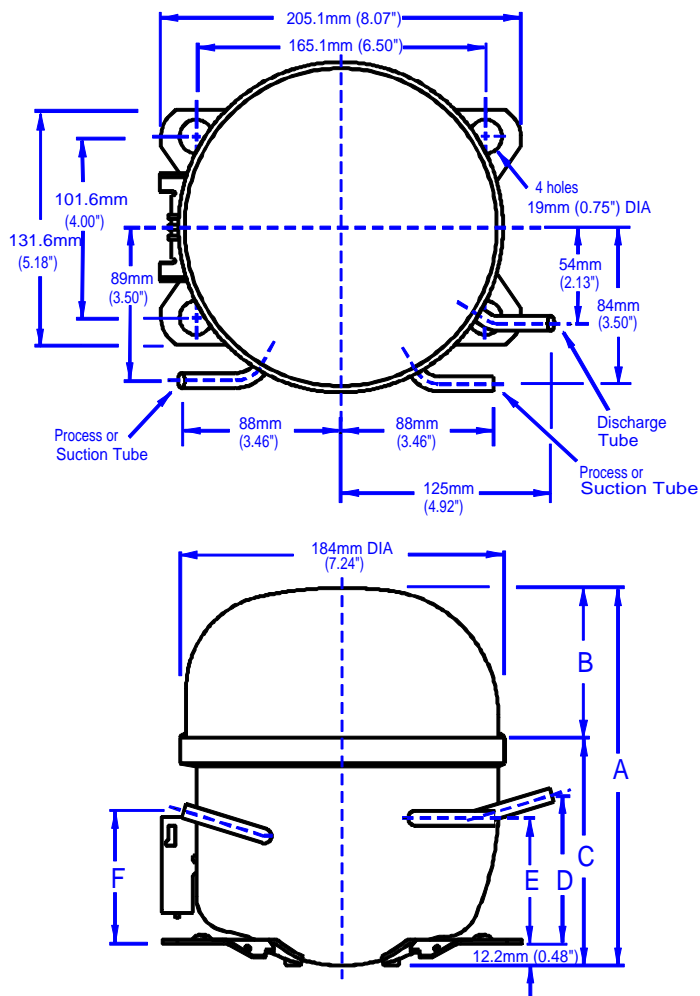
MATSUSHITA Compressor

MODEL# QA125K29CAU6 (100 μ F Start Cap.) R-134a

Single Phase

115 V

60 Hz



Dimensions*

	mm	inches
A	208.6	8.21
B	92.8	3.65
C	115.8	4.56
D	77.0	3.03
E	62.2	2.45
F	77.0	3.03

* All dimensions are for reference only

This document sets forth certain operational parameters and conditions for operation of this product. If this product is operated outside of the parameters and conditions stated herein, buyer assumes sole and full responsibility and shall indemnify seller with respect to all product failures and all consequences thereof. Operation of the product outside of the parameters and conditions specified herein shall serve to invalidate all seller warranties, if any, with respect to the product. This document is for reference only. For specifications, please contact Panasonic's engineering department.

Tubes	Tube O.D.	Wall	Material
Suction	0.39 in. / 10 mm	0.035 in. / 0.9 mm	Copper
Process	0.39 in. / 10 mm	0.035 in. / 0.9 mm	Copper
Discharge	0.33 in. / 8.3 mm	0.035 in. / 0.9 mm	Copper

U.L. File # SA 4615

C.S.A. File #'s LR - 34080

LR - 36593

LR - 100738

General Data	Oil Charge	Oil Charge
Oil Charge	250 cc \pm 5 cc / 15.3 cu.in. \pm 0.3 cu.in.	
Net Weight With Oil	22.2 lbs, 10.1 kg	
Approved Oils	FREOL α 22	
Residual Moisture	120 mg max.	
Impurities	10 mg max.	
Displacement	12.50 cc. / 0.763 cu. in.	

Panasonic®

Panasonic Industrial Company
Refrigeration Products Department
Tel: 201 - 392 - 4249
Fax: 201 - 392 - 4315

Rev#1-5/9

MATSUSHITA Compressor

MODEL# QA125K29GAU6

Single Phase
R-134a

115 V
60 Hz

Voltage Range 103 Volts to 127 Volts @ 60 Hz
Application High Back Pressure
Compressor Cooling Fan Cooling

Refrigerant Control . . . Capillary Tube
Evaporator
Temp. Range 23°F to 59°F / -5°C to 15°C

Rated Performance Data

Capacity 4,524 Btu/h $\pm 10\%$ *
E.E.R. 7.08 Btu/Wh $\pm 10\%$ *
Current 6.88 Amps *

Nominal Motor Data Motor Input 639 Watts*
 Rated Current . . . 6.01 Amps
 Type RSIR, PTC relay

Locked Rotor 31.4 Amps
Start Current 38.5 Amps
Coil Resistances Run 1.06 Ohms
 @ 68°F (20°C) Start . . . 6.85 Ohms

*Test Conditions for Performance Specifications

Test Oil Freol α 22
Shell Temp 170.0°F / 76.0°C
Condensing Temp 130.0°F / 54.4°C
Evaporating Temp 45.0°F / 7.2°C
Ambient Temp 95.0°F / 35.0°C
Gas Superheat 95.0°F / 35.0°C
Liquid Sub-Cooling . . . 115.0°F / 46.1°C

Electrical Accessories†

Overload Protector
Nominal Operating Characteristics

Model Name MST00AKZ
Manufacturer Texas Instruments
Temperature To Open: 248°F $\pm 9^\circ\text{F}$ / 120°C $\pm 5^\circ\text{C}$
 Close: 142°F $\pm 20^\circ\text{F}$ / 61°C $\pm 11^\circ\text{C}$
Trip Current @ 158°F (70°C) 10.3 Amps $\pm 7.5\%$
 @ 77°F (25°C) 20.0 Amps @ 18 sec. max.

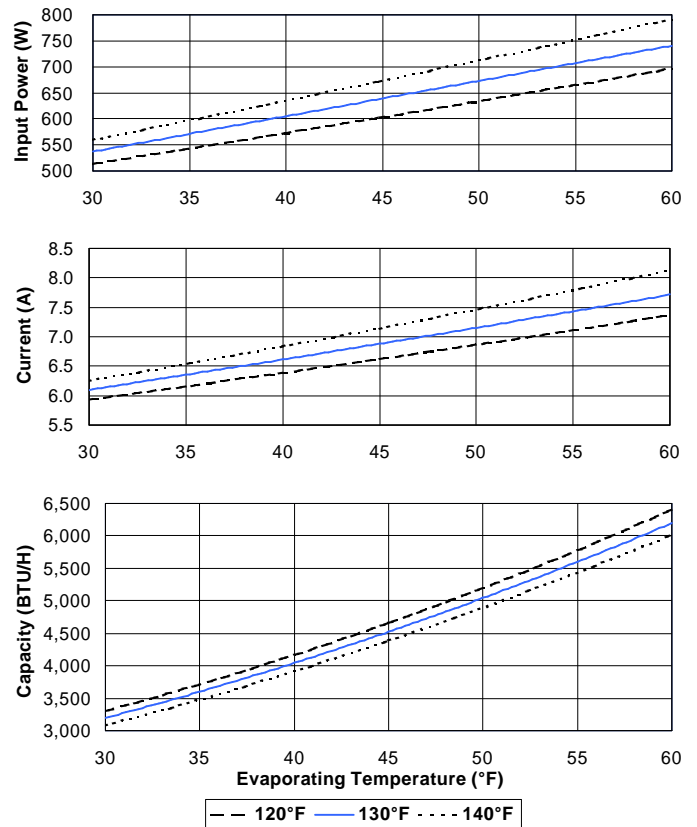
P.T.C. Starting Device
Nominal Operating Characteristics

Model Name	MM8-5CDP4M7	PTH7M4R7MC1	
Manufacturer	Matsushita	Murata Mfg.	
Base resistance			
@ 77°F(25°C) $\pm 20\%$	4.7	4.7	Ohms
Power Consumption (max)	4.0	3.0	Watts
Operation time	1.5 to 3.5	0.7 to 2.2	seconds
Recovery time (max)	85	70	seconds

Run Capacitor — μF — V (min.)

†Although these accessories are listed by UL/CSA for use with this compressor, Matsushita assumes no responsibility whatsoever for these or any other components sourced by the refrigeration system manufacturer from third parties.

Performance Curves



9 - Point Data

Condensing Temp.	Rating	Evaporating Temp.		
		+30°F	+45°F	+59°F
140°F	Btu/h	3,076	4,384	5,896
	Watts	559	673	783
	Amps	6.25	7.14	8.06
	E.E.R.	5.50	6.51	7.53
130°F	Btu/h	3,196	4,524	6,077
	Watts	537	639	734
	Amps	6.10	6.88	7.66
	E.E.R.	5.95	7.08	8.28
120°F	Btu/h	3,302	4,657	6,275
	Watts	513	603	690
	Amps	5.93	6.62	7.31
	E.E.R.	6.44	7.72	9.09



Panasonic Industrial Company
Refrigeration Products Department
Tel: 201 - 392 - 4249
Fax: 201 - 392 - 4315

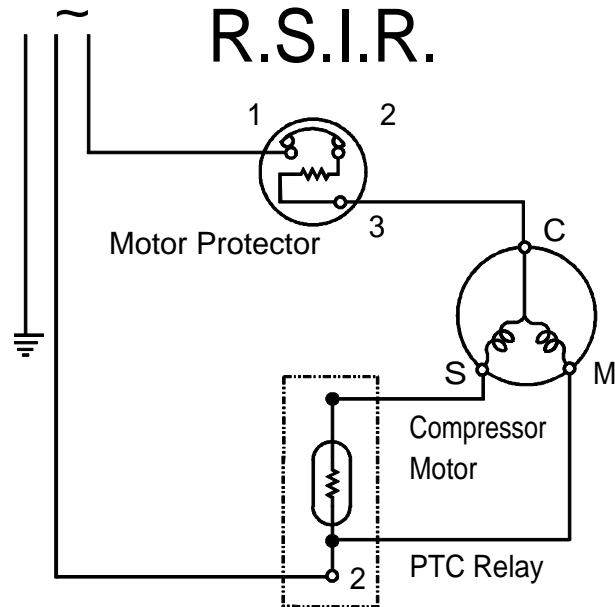
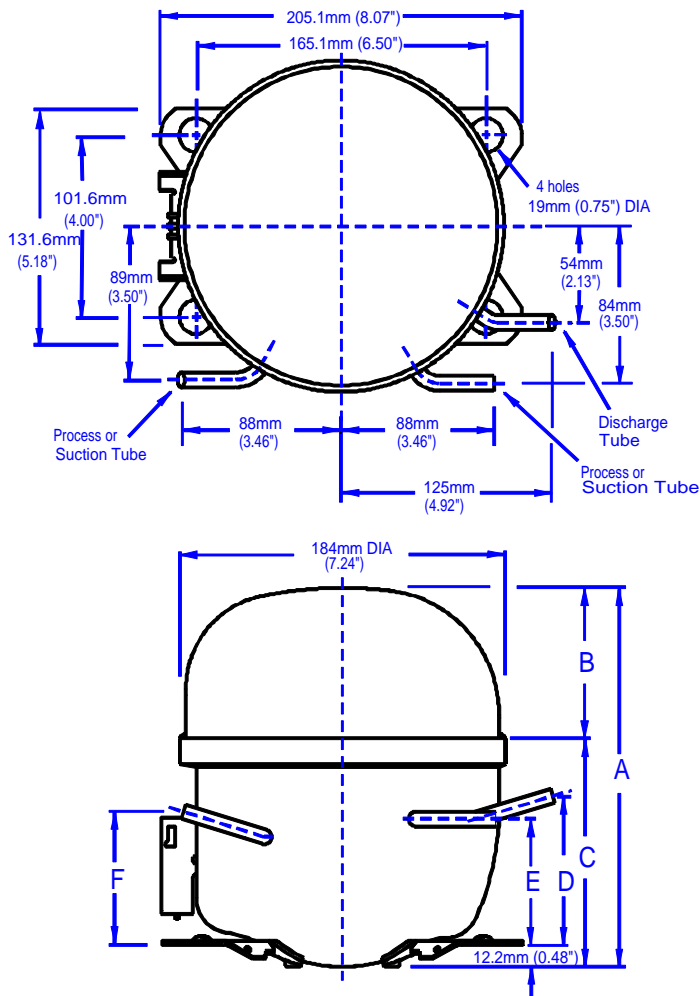
Rev#1-5/9

MATSUSHITA Compressor

MODEL# QA125K29GAU6

Single Phase
R-134a

115 V
60 Hz



Dimensions*

	mm	inches
A	208.6	8.21
B	92.8	3.65
C	115.8	4.56
D	77.0	3.03
E	62.2	2.45
F	77.0	3.03

* All dimensions are for reference only

This document sets forth certain operational parameters and conditions for operation of this product. If this product is operated outside of the parameters and conditions stated herein, buyer assumes sole and full responsibility and shall indemnify seller with respect to all product failures and all consequences thereof. Operation of the product outside of the parameters and conditions specified herein shall serve to invalidate all seller warranties, if any, with respect to the product. This document is for reference only. For specifications, please contact Panasonic's engineering department.

Tubes	Tube O.D.	Wall	Material
Suction	0.39 in. / 10 mm	0.035 in. / 0.9 mm	Copper
Process	0.39 in. / 10 mm	0.035 in. / 0.9 mm	Copper
Discharge	0.33 in. / 8.3 mm	0.035 in. / 0.9 mm	Copper

U.L. File # SA 4615
 C.S.A. File #'s LR - 34080
 LR - 36593
 LR - 100738

General Data	Oil Charge	Net Weight With Oil	Approved Oils	Residual Moisture	Impurities	Displacement
	250 cc ± 5 cc / 15.3 cu.in. ± 0.3 cu.in.	22.2 lbs, 10.1 kg	FREOL α 22	120 mg max.	10 mg max.	12.50 cc. / 0.763 cu. in.

Panasonic®

Panasonic Industrial Company
 Refrigeration Products Department
 Tel: 201 - 392 - 4249
 Fax: 201 - 392 - 4315

Rev#1-5/9

MATSUSHITA Compressor

MODEL# QA43K11GAU6

Single Phase
R-134a

115 V
60 Hz

Voltage Range 103 Volts to 127 Volts @ 60 Hz
Application High Back Pressure
Compressor Cooling Fan Cooling

Refrigerant Control . . . Capillary Tube
Evaporator
Temp. Range 23°F to 59°F / -5°C to 15°C

Rated Performance Data

Capacity 1,485 Btu/h $\pm 10\%$ *
E.E.R. 6.94 Btu/Wh $\pm 10\%$ *
Current 2.62 Amps *

Nominal Motor Data Motor Input 214 Watts*
 Rated Current . . . 2.31 Amps
 Type RSIR, PTC relay

Locked Rotor 12.3 Amps
Start Current 17.7 Amps
Coil Resistances Run 2.93 Ohms
 @ 68°F (20°C) Start . . . 9.88 Ohms

*Test Conditions for Performance Specifications

Test Oil Freol α 22
Shell Temp 170.0°F / 76.0°C
Condensing Temp 130.0°F / 54.4°C
Evaporating Temp 45.0°F / 7.2°C
Ambient Temp 95.0°F / 35.0°C
Gas Superheat 95.0°F / 35.0°C
Liquid Sub-Cooling 115.0°F / 46.1°C

Electrical Accessories†

Overload Protector
Nominal Operating Characteristics

Model Name MM3-33EC
Manufacturer Matsushita
Temperature To Open: 230°F $\pm 9^\circ\text{F}$ / 110°C $\pm 5^\circ\text{C}$
 Close: 142°F $\pm 15^\circ\text{F}$ / 61°C $\pm 8^\circ\text{C}$
Trip Current @ 158°F (70°C) 3.3 Amps $\pm 7.5\%$
 @ 77°F (25°C) 10.0 Amps @ 18 sec. max.

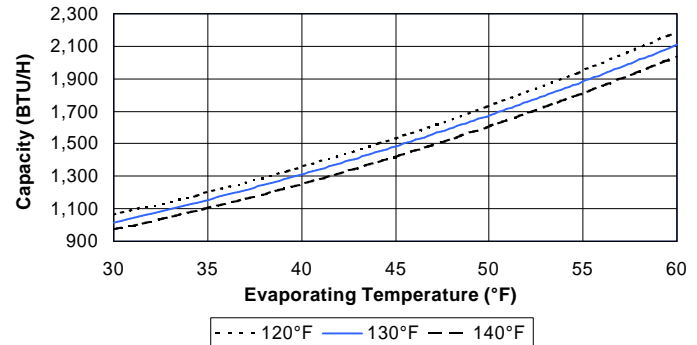
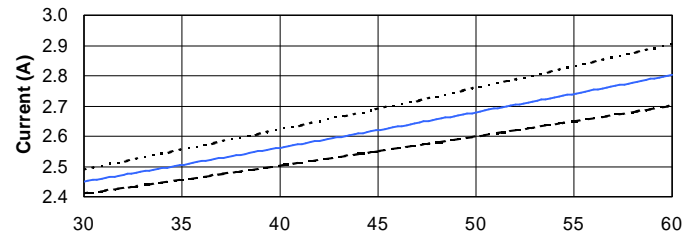
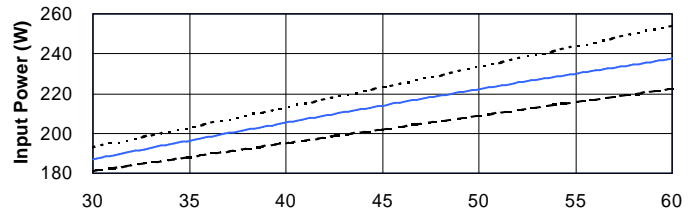
P.T.C. Starting Device
Nominal Operating Characteristics

Model Name	MM8-5CDP4M7	PTH7M4R7MC1	
Manufacturer	Matsushita	Murata Mfg.	
Base resistance			
@ 77°F(25°C) $\pm 20\%$	4.7	4.7	Ohms
Power Consumption (max)	4.0	3.0	Watts
Operation time	1.5 to 3.5	0.7 to 2.2	seconds
Recovery time (max)	85	70	seconds

Run Capacitor — μF — V (min.)

†Although these accessories are listed by UL/CSA for use with this compressor, Matsushita assumes no responsibility whatsoever for these or any other components sourced by the refrigeration system manufacturer from third parties.

Performance Curves



9 - Point Data

Condensing Temp.	Rating	Evaporating Temp.		
		+30°F	+45°F	+59°F
140°F	Btu/h	973	1,420	1,990
	Watts	193	223	252
	Amps	2.49	2.69	2.89
	E.E.R.	5.04	6.37	7.90
130°F	Btu/h	1,017	1,485	2,062
	Watts	187	214	236
	Amps	2.45	2.62	2.79
	E.E.R.	5.44	6.94	8.74
120°F	Btu/h	1,065	1,533	2,141
	Watts	181	202	221
	Amps	2.41	2.55	2.69
	E.E.R.	5.88	7.59	9.69



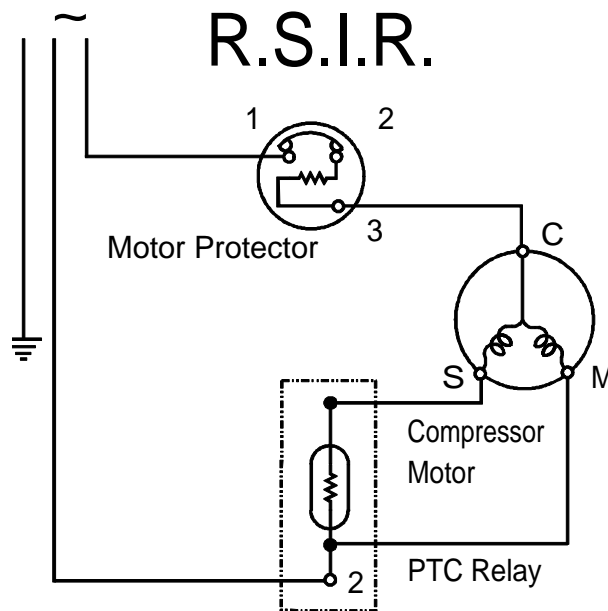
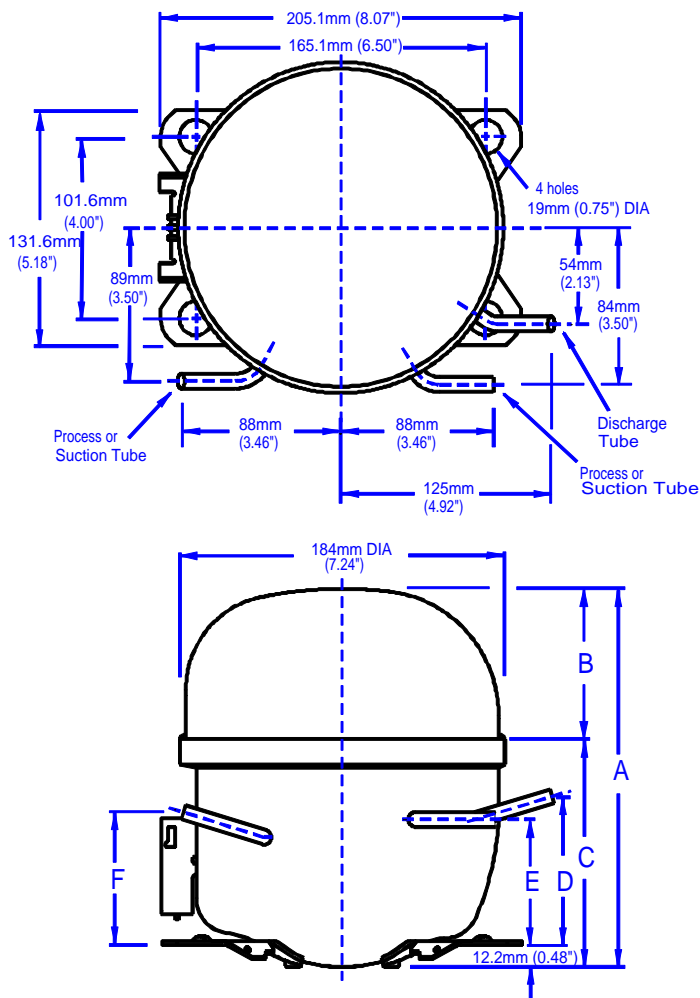
Panasonic Industrial Company
Refrigeration Products Department
Tel: 201 - 392 - 4249
Fax: 201 - 392 - 4315

MATSUSHITA Compressor

MODEL# QA43K11GAU6

Single Phase
R-134a

115 V
60 Hz



Dimensions*

	mm	inches
A	188.8	7.43
B	73.0	2.87
C	115.8	4.56
D	77.0	3.03
E	62.2	2.45
F	77.0	3.03

* All dimensions are for reference only

This document sets forth certain operational parameters and conditions for operation of this product. If this product is operated outside of the parameters and conditions stated herein, buyer assumes sole and full responsibility and shall indemnify seller with respect to all product failures and all consequences thereof. Operation of the product outside of the parameters and conditions specified herein shall serve to invalidate all seller warranties, if any, with respect to the product. This document is for reference only. For specifications, please contact Panasonic's engineering department.

Tubes	Tube O.D.	Wall	Material
Suction	0.39 in. / 10 mm	0.035 in. / 0.9 mm	Copper
Process	0.39 in. / 10 mm	0.035 in. / 0.9 mm	Copper
Discharge	0.33 in. / 8.3 mm	0.035 in. / 0.9 mm	Copper

U.L. File # SA 4615
 C.S.A. File #'s LR - 34080
 LR - 36593
 LR - 100738

General Data	Oil Charge	Oil Charge
Oil Charge	250 cc ± 5 cc / 15.3 cu.in. ± 0.3 cu.in.	
Net Weight With Oil	17.8 lbs, 8.1 kg	
Approved Oils	FREOL α 22	
Residual Moisture	120 mg max.	
Impurities	10 mg max.	
Displacement	4.33 cc. / 0.264 cu. in.	

Panasonic®

Panasonic Industrial Company
 Refrigeration Products Department
 Tel: 201 - 392 - 4249
 Fax: 201 - 392 - 4315

Rev#1-5/9

MATSUSHITA Compressor

MODEL# QA51K13GAU6

Single Phase
R-134a

115 V
60 Hz

Voltage Range 103 Volts to 127 Volts @ 60 Hz
Application High Back Pressure
Compressor Cooling Fan Cooling

Refrigerant Control . . . Capillary Tube
Evaporator
Temp. Range 23°F to 59°F / -5°C to 15°C

Rated Performance Data

Capacity 1,810 Btu/h $\pm 10\%$ *
E.E.R. 7.24 Btu/Wh $\pm 10\%$ *
Current 2.85 Amps *

Nominal Motor Data Motor Input 250 Watts*
 Rated Current . . . 2.29 Amps
 Type RSIR, PTC relay

Locked Rotor 14.5 Amps
Start Current 20.1 Amps
Coil Resistances Run 2.41 Ohms
 @ 68°F (20°C) Start . . . 9.69 Ohms

*Test Conditions for Performance Specifications

Test Oil Freol α 22
Shell Temp 170.0°F / 76.0°C
Condensing Temp 130.0°F / 54.4°C
Evaporating Temp 45.0°F / 7.2°C
Ambient Temp 95.0°F / 35.0°C
Gas Superheat 95.0°F / 35.0°C
Liquid Sub-Cooling 115.0°F / 46.1°C

Electrical Accessories†

Overload Protector
Nominal Operating Characteristics

Model Name MM3-38EC
Manufacturer Matsushita
Temperature To Open: 230°F $\pm 9^\circ\text{F}$ / 110°C $\pm 5^\circ\text{C}$
 Close: 142°F $\pm 15^\circ\text{F}$ / 61°C $\pm 8^\circ\text{C}$
Trip Current @ 158°F (70°C) 3.8 Amps $\pm 7.5\%$
 @ 77°F (25°C) 11.0 Amps @ 18 sec. max.

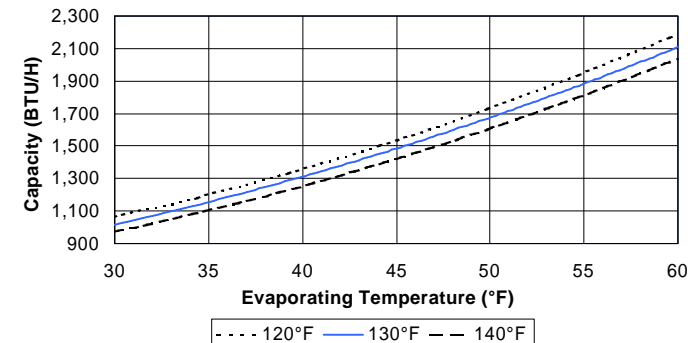
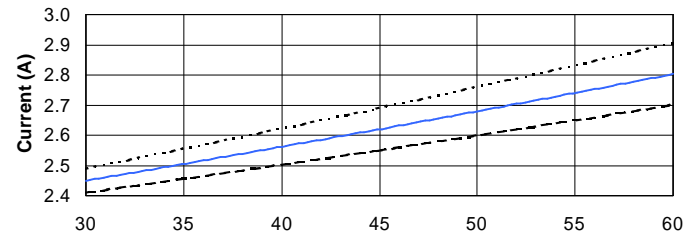
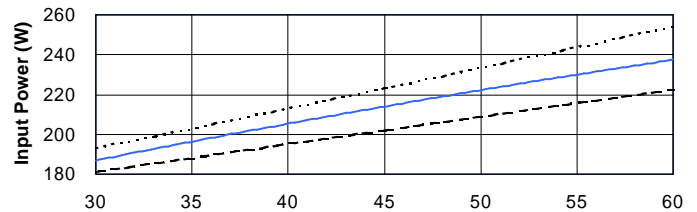
P.T.C. Starting Device
Nominal Operating Characteristics

Model Name	MM8-5CDP4M7	PTH7M4R7MC1	
Manufacturer	Matsushita	Murata Mfg.	
Base resistance			
@ 77°F(25°C) $\pm 20\%$	4.7	4.7	Ohms
Power Consumption (max)	4.0	3.0	Watts
Operation time	1.5 to 3.5	0.7 to 2.2	seconds
Recovery time (max)	85	70	seconds

Run Capacitor — μF — V (min.)

†Although these accessories are listed by UL/CSA for use with this compressor, Matsushita assumes no responsibility whatsoever for these or any other components sourced by the refrigeration system manufacturer from third parties.

Performance Curves



9 - Point Data

Condensing Temp.	Rating	Evaporating Temp.		
		+30°F	+45°F	+59°F
140°F	Btu/h	1,212	1,734	2,421
	Watts	224	261	299
	Amps	2.67	2.93	3.23
	E.E.R.	5.41	6.64	8.10
130°F	Btu/h	1,246	1,810	2,516
	Watts	216	250	282
	Amps	2.61	2.85	3.09
	E.E.R.	5.77	7.24	8.92
120°F	Btu/h	1,301	1,885	2,602
	Watts	208	238	265
	Amps	2.57	2.77	2.97
	E.E.R.	6.25	7.92	9.82



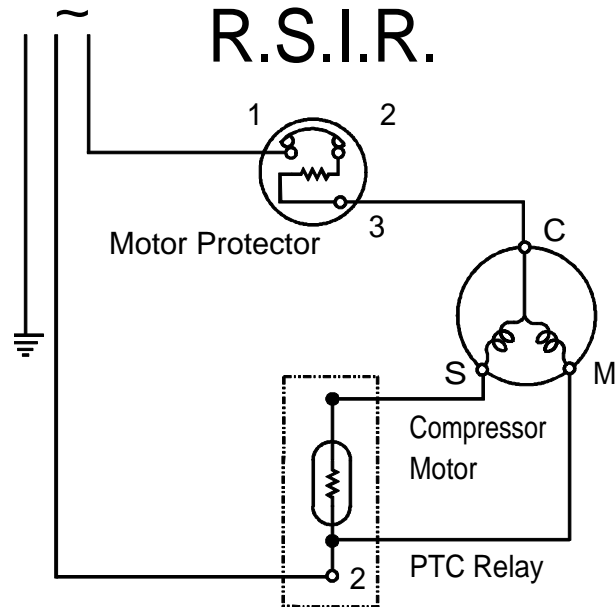
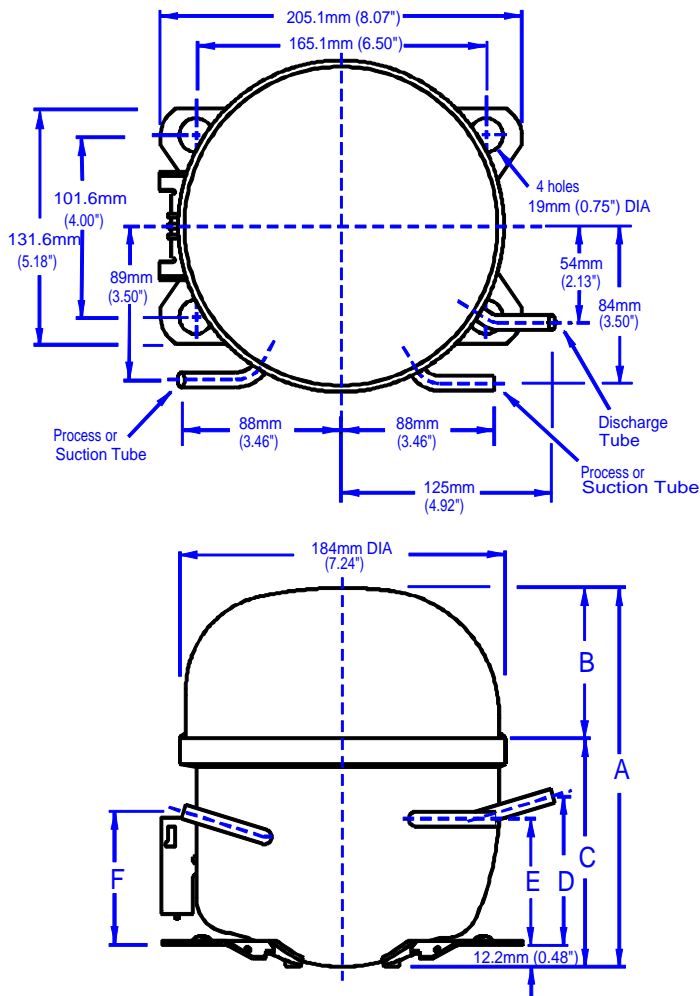
Panasonic Industrial Company
Refrigeration Products Department
Tel: 201 - 392 - 4249
Fax: 201 - 392 - 4315

MATSUSHITA Compressor

MODEL# QA51K13GAU6

Single Phase
R-134a

115 V
60 Hz



Dimensions*

	mm	inches
A	188.8	7.43
B	73.0	2.87
C	115.8	4.56
D	77.0	3.03
E	62.2	2.45
F	77.0	3.03

* All dimensions are for reference only

This document sets forth certain operational parameters and conditions for operation of this product. If this product is operated outside of the parameters and conditions stated herein, buyer assumes sole and full responsibility and shall indemnify seller with respect to all product failures and all consequences thereof. Operation of the product outside of the parameters and conditions specified herein shall serve to invalidate all seller warranties, if any, with respect to the product. This document is for reference only. For specifications, please contact Panasonic's engineering department.

Tubes	Tube O.D.	Wall	Material
Suction	0.39 in. / 10 mm	0.035 in. / 0.9 mm	Copper
Process	0.39 in. / 10 mm	0.035 in. / 0.9 mm	Copper
Discharge	0.33 in. / 8.3 mm	0.035 in. / 0.9 mm	Copper

U.L. File # SA 4615
 C.S.A. File #'s LR - 34080
 LR - 36593
 LR - 100738

General Data	Oil Charge
Oil Charge	250 cc ± 5 cc / 15.3 cu.in. ± 0.3 cu.in.
Net Weight With Oil	18.7 lbs, 8.5 kg
Approved Oils	FREOL α 22
Residual Moisture	120 mg max.
Impurities	10 mg max.
Displacement	5.10 cc. / 0.311 cu. in.

Panasonic®

Panasonic Industrial Company
 Refrigeration Products Department
 Tel: 201 - 392 - 4249
 Fax: 201 - 392 - 4315

Rev#1-5/9

MATSUSHITA Compressor

MODEL# QA66K16GAU6

Single Phase
R-134a

115 V
60 Hz

Voltage Range 103 Volts to 127 Volts @ 60 Hz
Application High Back Pressure
Compressor Cooling Fan Cooling

Refrigerant Control . . . Capillary Tube
Evaporator
Temp. Range 23°F to 59°F / -5°C to 15°C

Rated Performance Data

Capacity 2,322 Btu/h $\pm 10\%$ *
E.E.R. 7.59 Btu/Wh $\pm 10\%$ *
Current 3.53 Amps *

Nominal Motor Data Motor Input 306 Watts*
 Rated Current . . . 2.70 Amps
 Type RSIR, PTC relay

Locked Rotor 17.5 Amps
Start Current 24.3 Amps
Coil Resistances Run 2.01 Ohms
 @ 68°F (20°C) Start . . . 7.44 Ohms

*Test Conditions for Performance Specifications

Test Oil Freol α 22
Shell Temp 170.0°F / 76.0°C
Condensing Temp 130.0°F / 54.4°C
Evaporating Temp 45.0°F / 7.2°C
Ambient Temp 95.0°F / 35.0°C
Gas Superheat 95.0°F / 35.0°C
Liquid Sub-Cooling 115.0°F / 46.1°C

Electrical Accessories†

Overload Protector
Nominal Operating Characteristics

Model Name MM3-43FC
Manufacturer Matsushita
Temperature To Open: 239°F $\pm 9^\circ\text{F}$ / 115°C $\pm 5^\circ\text{C}$
 Close: 142°F $\pm 15^\circ\text{F}$ / 61°C $\pm 8^\circ\text{C}$
Trip Current @ 158°F (70°C) 4.3 Amps $\pm 7.5\%$
 @ 77°F (25°C) 13.0 Amps @ 18 sec. max.

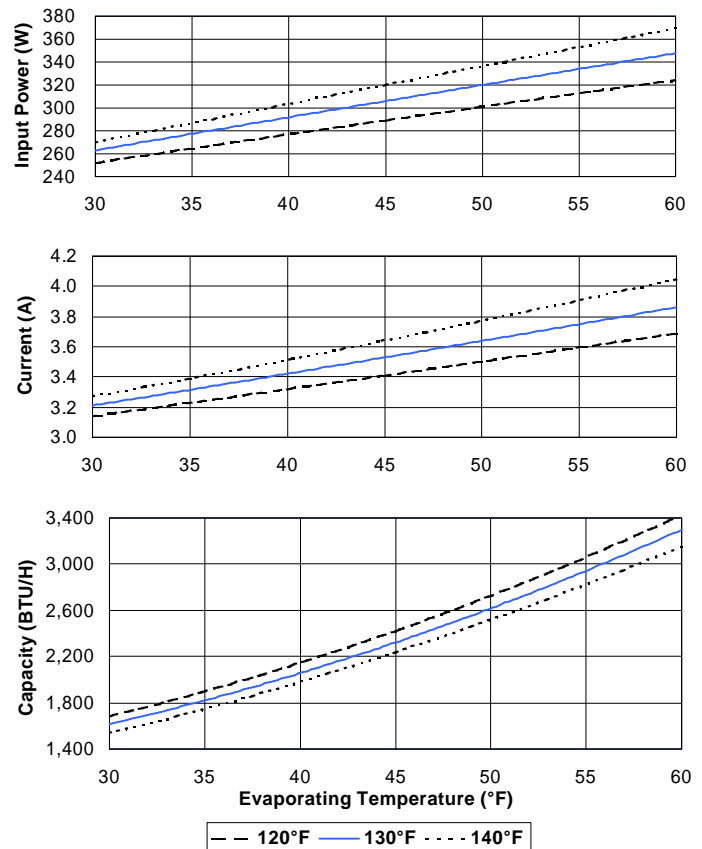
P.T.C. Starting Device
Nominal Operating Characteristics

Model Name	MM8-5CDP4M7	PTH7M4R7MC1	
Manufacturer	Matsushita	Murata Mfg.	
Base resistance			
@ 77°F(25°C) $\pm 20\%$	4.7	4.7	Ohms
Power Consumption (max)	4.0	3.0	Watts
Operation time	1.5 to 3.5	0.7 to 2.2	seconds
Recovery time (max)	85	70	seconds

Run Capacitor — μF — V (min.)

†Although these accessories are listed by UL/CSA for use with this compressor, Matsushita assumes no responsibility whatsoever for these or any other components sourced by the refrigeration system manufacturer from third parties.

Performance Curves



9 - Point Data

Condensing Temp.	Rating	Evaporating Temp.		
		+30°F	+45°F	+59°F
140°F	Btu/h	1,536	2,236	3,086
	Watts	270	320	366
	Amps	3.27	3.64	4.02
	E.E.R.	5.69	6.99	8.43
130°F	Btu/h	1,615	2,322	3,226
	Watts	263	306	345
	Amps	3.21	3.53	3.84
	E.E.R.	6.14	7.59	9.35
120°F	Btu/h	1,680	2,421	3,349
	Watts	252	289	322
	Amps	3.14	3.41	3.67
	E.E.R.	6.67	8.38	10.40



Panasonic Industrial Company
Refrigeration Products Department
Tel: 201 - 392 - 4249
Fax: 201 - 392 - 4315

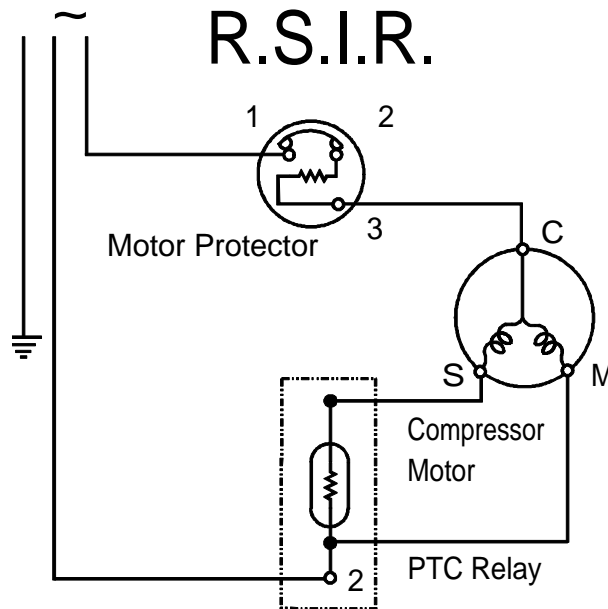
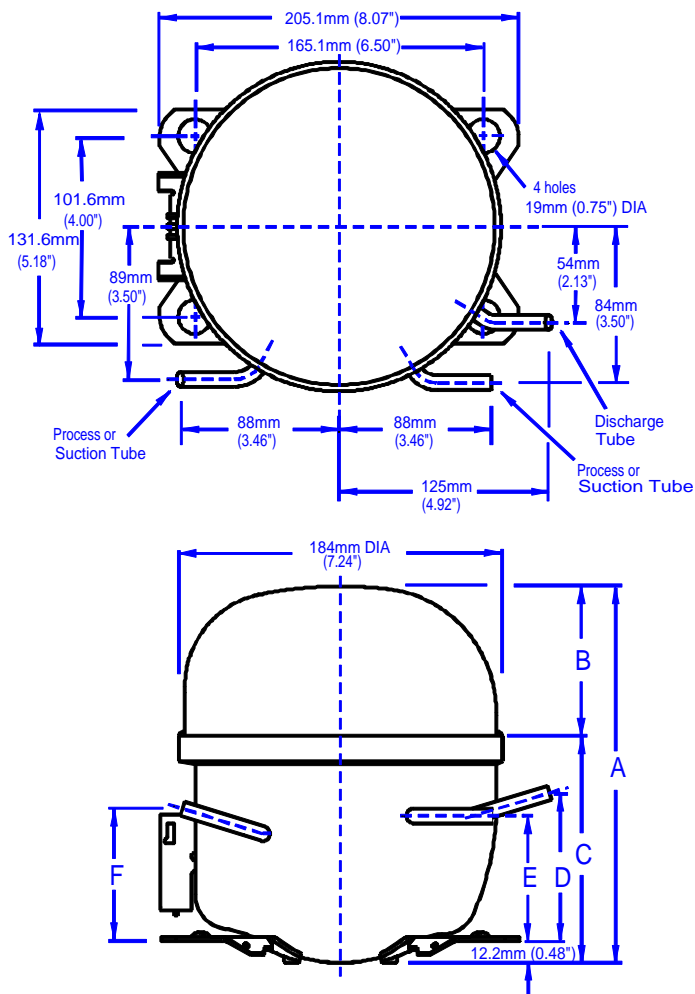
Rev#1-5/9

MATSUSHITA Compressor

MODEL# QA66K16GAU6

Single Phase
R-134a

115 V
60 Hz



Dimensions*

	mm	inches
A	188.8	7.43
B	73.0	2.87
C	115.8	4.56
D	77.0	3.03
E	62.2	2.45
F	77.0	3.03

* All dimensions are for reference only

This document sets forth certain operational parameters and conditions for operation of this product. If this product is operated outside of the parameters and conditions stated herein, buyer assumes sole and full responsibility and shall indemnify seller with respect to all product failures and all consequences thereof. Operation of the product outside of the parameters and conditions specified herein shall serve to invalidate all seller warranties, if any, with respect to the product. This document is for reference only. For specifications, please contact Panasonic's engineering department.

Tubes	Tube O.D.	Wall	Material
Suction	0.39 in. / 10 mm	0.035 in. / 0.9 mm	Copper
Process	0.39 in. / 10 mm	0.035 in. / 0.9 mm	Copper
Discharge	0.33 in. / 8.3 mm	0.035 in. / 0.9 mm	Copper

U.L. File # SA 4615
 C.S.A. File #'s LR - 34080
 LR - 36593
 LR - 100738

General Data	Oil Charge	Oil Charge
Oil Charge	250 cc ± 5 cc / 15.3 cu.in. ± 0.3 cu.in.	
Net Weight With Oil	19.2 lbs, 8.7 kg	
Approved Oils	FREOL α 22	
Residual Moisture	120 mg max.	
Impurities	10 mg max.	
Displacement	6.55 cc. / 0.400 cu. in.	

Panasonic®

Panasonic Industrial Company
 Refrigeration Products Department
 Tel: 201 - 392 - 4249
 Fax: 201 - 392 - 4315

Rev#1-5/9

MATSUSHITA Compressor

MODEL# QA77K19GAU6

Single Phase
R-134a

115 V
60 Hz

Voltage Range 103 Volts to 127 Volts @ 60 Hz
Application High Back Pressure
Compressor Cooling Fan Cooling

Refrigerant Control Capillary Tube
Evaporator
Temp. Range 23°F to 59°F / -5°C to 15°C

Rated Performance Data

Capacity 2,834 Btu/h $\pm 10\%$ *
E.E.R. 7.58 Btu/Wh $\pm 10\%$ *
Current 4.14 Amps *

Nominal Motor Data Motor Input 374 Watts*
 Rated Current . . . 3.15 Amps
 Type RSIR, PTC relay

Locked Rotor 20.3 Amps
Start Current 27.4 Amps
Coil Resistances Run 1.75 Ohms
 @ 68°F (20°C) Start . . . 6.89 Ohms

*Test Conditions for Performance Specifications

Test Oil Freol α 22
Shell Temp 170.0°F / 76.0°C
Condensing Temp 130.0°F / 54.4°C
Evaporating Temp 45.0°F / 7.2°C
Ambient Temp 95.0°F / 35.0°C
Gas Superheat 95.0°F / 35.0°C
Liquid Sub-Cooling 115.0°F / 46.1°C

Electrical Accessories†

Overload Protector
Nominal Operating Characteristics

Model Name MM3-54FC
Manufacturer Matsushita
Temperature To Open: 239°F \pm 9°F / 115°C \pm 5°C
 Close: 142°F \pm 15°F / 61°C \pm 8°C
Trip Current @ 158°F (70°C) 5.4 Amps \pm 7.5%
 @ 77°F (25°C) 14.5 Amps @ 18 sec. max.

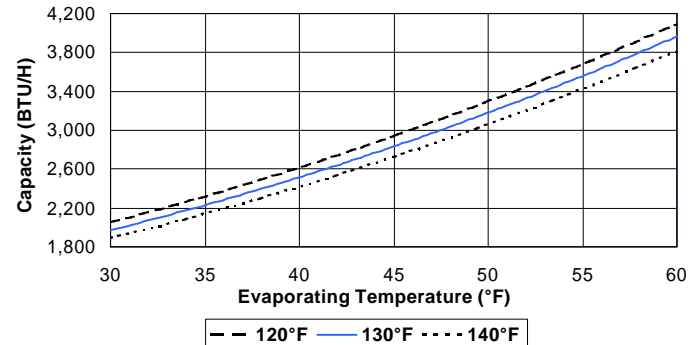
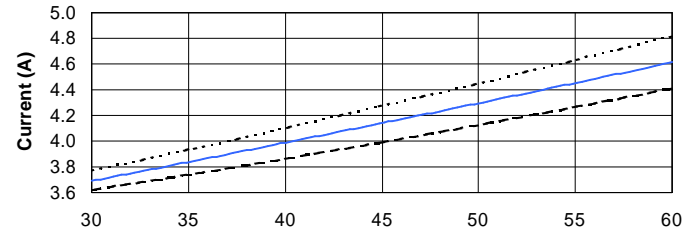
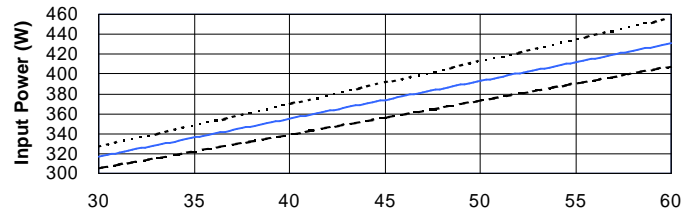
P.T.C. Starting Device
Nominal Operating Characteristics

Model Name	MM8-5CDP4M7	PTH7M4R7MC1	
Manufacturer	Matsushita	Murata Mfg.	
Base resistance			
@ 77°F(25°C) $\pm 20\%$	4.7	4.7	Ohms
Power Consumption (max)	4.0	3.0	Watts
Operation time	1.5 to 3.5	0.7 to 2.2	seconds
Recovery time (max)	85	70	seconds

Run Capacitor — μ F — V (min.)

†Although these accessories are listed by UL/CSA for use with this compressor, Matsushita assumes no responsibility whatsoever for these or any other components sourced by the refrigeration system manufacturer from third parties.

Performance Curves



9 - Point Data

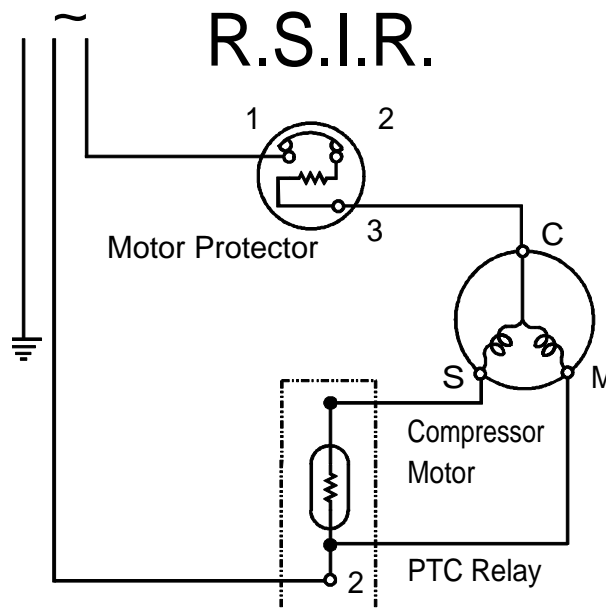
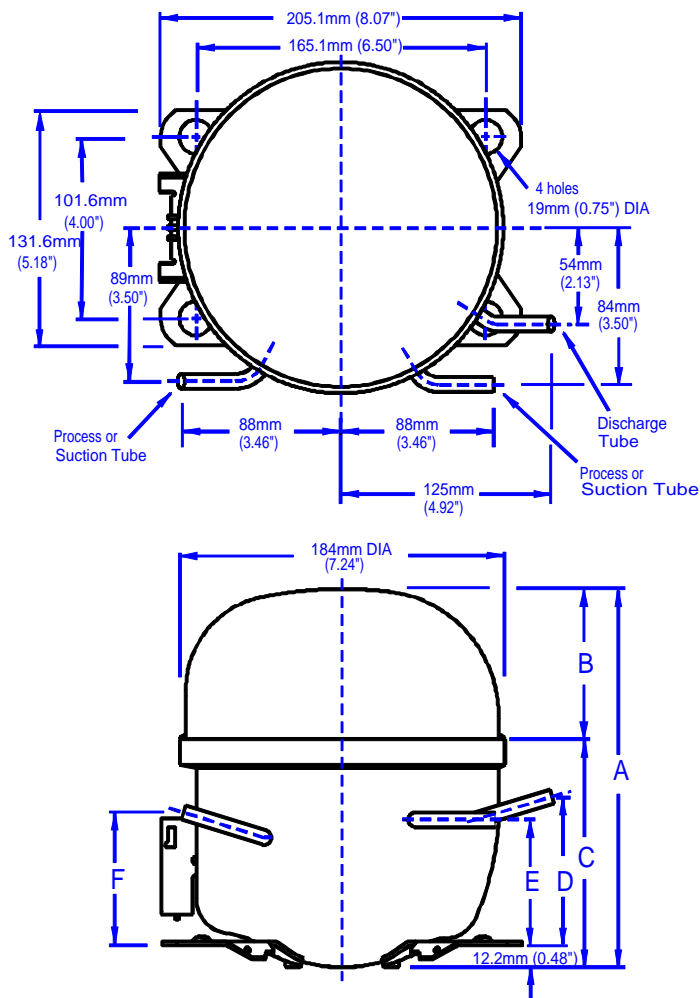
Condensing Temp.	Rating	Evaporating Temp.		
		+30°F	+45°F	+59°F
140°F	Btu/h	1,888	2,725	3,735
	Watts	327	391	452
	Amps	3.77	4.27	4.78
	E.E.R.	5.77	6.97	8.26
130°F	Btu/h	1,973	2,834	3,882
	Watts	317	374	427
	Amps	3.69	4.14	4.58
	E.E.R.	6.22	7.58	9.09
120°F	Btu/h	2,052	2,940	4,008
	Watts	305	356	404
	Amps	3.62	3.99	4.38
	E.E.R.	6.73	8.26	9.92

MATSUSHITA Compressor

MODEL# QA77K19GAU6

Single Phase
R-134a

115 V
60 Hz



Dimensions*

	mm	inches
A	199.6	7.86
B	83.8	3.30
C	115.8	4.56
D	77.0	3.03
E	62.2	2.45
F	77.0	3.03

* All dimensions are for reference only

This document sets forth certain operational parameters and conditions for operation of this product. If this product is operated outside of the parameters and conditions stated herein, buyer assumes sole and full responsibility and shall indemnify seller with respect to all product failures and all consequences thereof. Operation of the product outside of the parameters and conditions specified herein shall serve to invalidate all seller warranties, if any, with respect to the product. This document is for reference only. For specifications, please contact Panasonic's engineering department.

Tubes	Tube O.D.	Wall	Material
Suction	0.39 in. / 10 mm	0.035 in. / 0.9 mm	Copper
Process	0.39 in. / 10 mm	0.035 in. / 0.9 mm	Copper
Discharge	0.33 in. / 8.3 mm	0.035 in. / 0.9 mm	Copper

U.L. File # SA 4615
 C.S.A. File #'s LR - 34080
 LR - 36593
 LR - 100738

General Data	Oil Charge	Oil Charge
Oil Charge	250 cc ± 5 cc / 15.3 cu.in. ± 0.3 cu.in.	
Net Weight With Oil	20.7 lbs, 9.4 kg	
Approved Oils	FREOL α 22	
Residual Moisture	120 mg max.	
Impurities	10 mg max.	
Displacement	7.69 cc. / 0.469 cu. in.	

Panasonic®

Panasonic Industrial Company
 Refrigeration Products Department
 Tel: 201 - 392 - 4249
 Fax: 201 - 392 - 4315

Rev#1-5/9

MATSUSHITA Compressor

MODEL# QA91K22CAU6 (80µF Start Cap.)

Single Phase
R-134a

115 V
60 Hz

Voltage Range 103 Volts to 127 Volts @ 60 Hz
Application High Back Pressure
Compressor Cooling Fan Cooling

Refrigerant Control . . . Capillary Tube
Evaporator
Temp. Range 23°F to 59°F / -5°C to 15°C

Rated Performance Data

Capacity 3,175 Btu/h ±10% *
E.E.R. 7.40 Btu/Wh ±10% *
Current 4.85 Amps *

Nominal Motor Data Motor Input 429 Watts*
 Rated Current . . . 3.99 Amps
 Type CSIR, Current relay

Start Current 23.1 Amps
Coil Resistances Run 1.41 Ohms
 @ 68°F (20°C) Start . . . 7.93 Ohms

*Test Conditions for Performance Specifications

Test Oil Freol α 22
Shell Temp 170.0°F / 76.0°C
Condensing Temp 130.0°F / 54.4°C
Evaporating Temp 45.0°F / 7.2°C
Ambient Temp 95.0°F / 35.0°C
Gas Superheat 95.0°F / 35.0°C
Liquid Sub-Cooling 115.0°F / 46.1°C

Electrical Accessories†

Overload Protector
Nominal Operating Characteristics

Model Name MSP24ALZ
Manufacturer Texas Instruments
Temperature To Open: 248°F ± 9°F / 120°C ± 5°C
 Close: 142°F ± 20°F / 61°C ± 11°C
Trip Current @158°F (70°C) 6.7 Amps ± 7.5%
 @77°F (25°C) 17.5 Amps @ 18 sec. max.

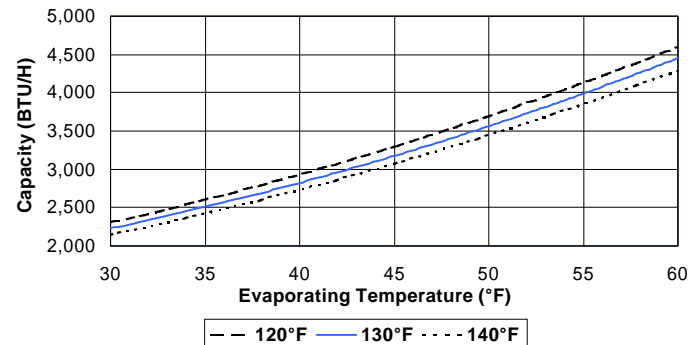
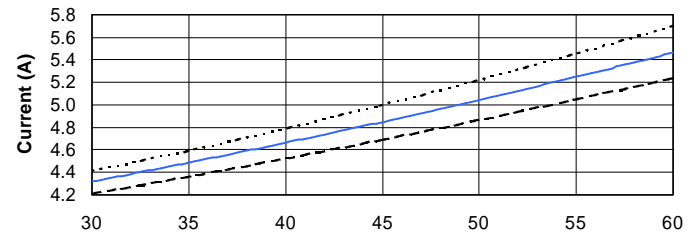
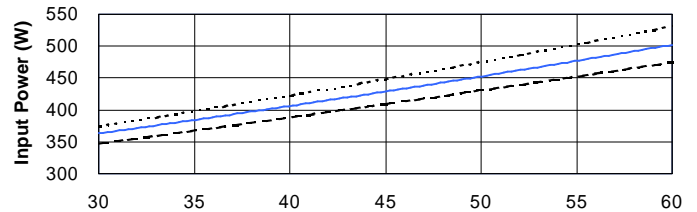
Current Relay Model
Nominal Operating Characteristics

Model Name MM5-D2CH
Manufacturer Matsushita
Pick Up Current 13.2 max. Amps
Drop Out Current 11.1 max. Amps

Start Capacitor 80 µF 160 V (min.)

†Although these accessories are listed by UL/CSA for use with this compressor, Matsushita assumes no responsibility whatsoever for these or any other components sourced by the refrigeration system manufacturer from third parties.

Performance Curves



9 - Point Data

Condensing Temp.	Rating	Evaporating Temp.		
		+30°F	+45°F	+59°F
140°F	Btu/h	2,141	3,073	4,196
	Watts	374	448	525
	Amps	4.41	5.00	5.65
	E.E.R.	5.72	6.86	7.99
130°F	Btu/h	2,229	3,175	4,357
	Watts	363	429	497
	Amps	4.32	4.85	5.42
	E.E.R.	6.14	7.40	8.77
120°F	Btu/h	2,305	3,295	4,500
	Watts	347	409	470
	Amps	4.21	4.69	5.20
	E.E.R.	6.64	8.06	9.57



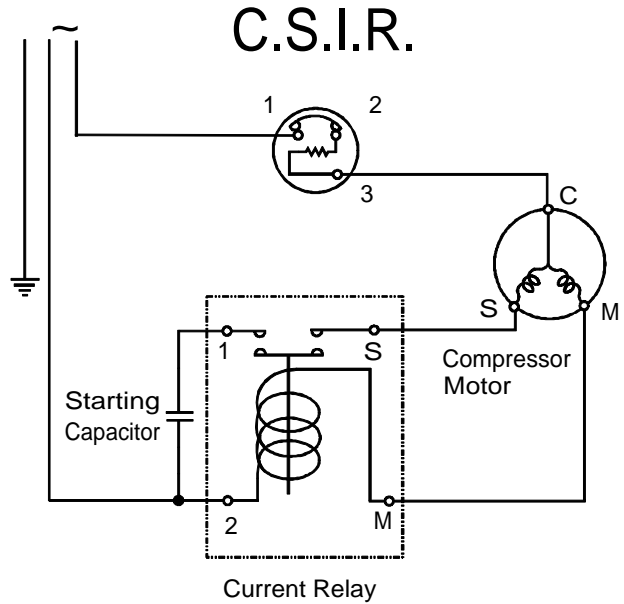
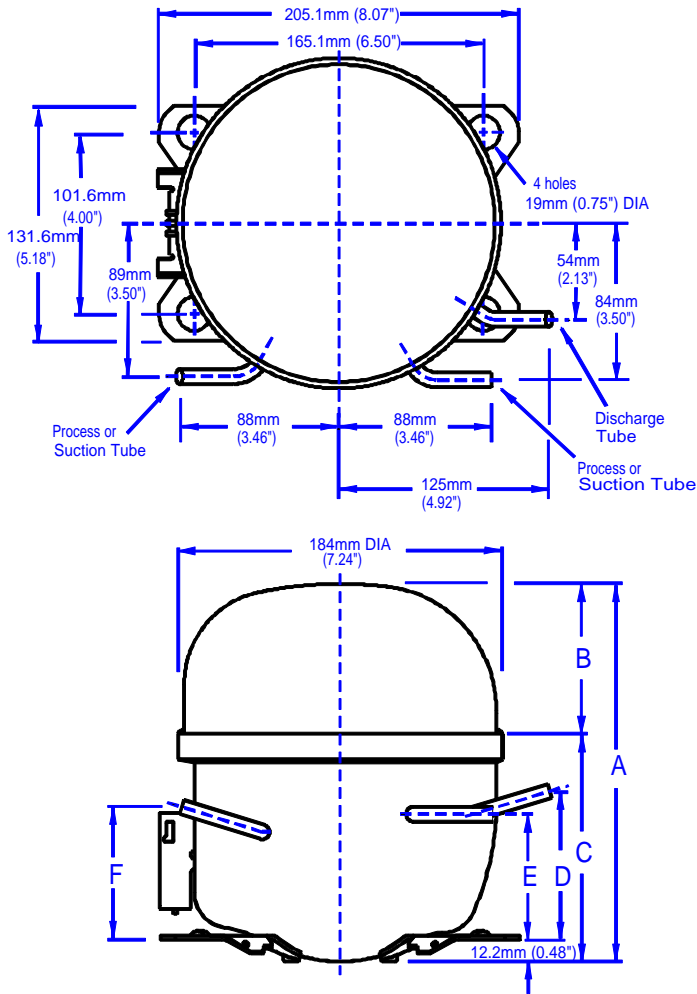
Panasonic Industrial Company
Refrigeration Products Department
Tel: 201 - 392 - 4249
Fax: 201 - 392 - 4315

MATSUSHITA Compressor

MODEL# QA91K22CAU6 (80 μ F Start Cap.)

Single Phase
R-134a

115 V
60 Hz



Dimensions*

	mm	inches
A	208.6	8.21
B	92.8	3.65
C	115.8	4.56
D	77.0	3.03
E	62.2	2.45
F	77.0	3.03

* All dimensions are for reference only

This document sets forth certain operational parameters and conditions for operation of this product. If this product is operated outside of the parameters and conditions stated herein, buyer assumes sole and full responsibility and shall indemnify seller with respect to all product failures and all consequences thereof. Operation of the product outside of the parameters and conditions specified herein shall serve to invalidate all seller warranties, if any, with respect to the product. This document is for reference only. For specifications, please contact Panasonic's engineering department.

Tubes	Tube O.D.	Wall	Material
Suction	0.39 in. / 10 mm	0.035 in. / 0.9 mm	Copper
Process	0.39 in. / 10 mm	0.035 in. / 0.9 mm	Copper
Discharge	0.33 in. / 8.3 mm	0.035 in. / 0.9 mm	Copper

U.L. File # SA 4615

C.S.A. File #'s LR - 34080

LR - 36593

LR - 100738

General Data	Oil Charge	Oil Charge
Oil Charge	250 cc \pm 5 cc / 15.3 cu.in. \pm 0.3 cu.in.	
Net Weight With Oil	21.4 lbs, 9.7 kg	
Approved Oils	FREOL α 22	
Residual Moisture	120 mg max.	
Impurities	10 mg max.	
Displacement	9.07 cc. / 0.553 cu. in.	

Panasonic

Panasonic Industrial Company
Refrigeration Products Department
Tel: 201 - 392 - 4249
Fax: 201 - 392 - 4315

Rev#1-5/9

MATSUSHITA Compressor

MODEL# QA91K22GAU6

Single Phase
R-134a

115 V
60 Hz

Voltage Range 103 Volts to 127 Volts @ 60 Hz
Application High Back Pressure
Compressor Cooling Fan Cooling

Refrigerant Control . . . Capillary Tube
Evaporator
Temp. Range 23°F to 59°F / -5°C to 15°C

Rated Performance Data

Capacity 3,175 Btu/h ±10% *
E.E.R. 7.40 Btu/Wh ±10% *
Current 4.85 Amps *

Nominal Motor Data Motor Input 429 Watts*
 Rated Current . . . 3.99 Amps
 Type RSIR, PTC relay

Locked Rotor 24.2 Amps
Start Current 31.3 Amps
Coil Resistances Run 1.41 Ohms
 @ 68°F (20°C) Start . . . 6.90 Ohms

*Test Conditions for Performance Specifications

Test Oil Freol α 22
Shell Temp 170.0°F / 76.0°C
Condensing Temp 130.0°F / 54.4°C
Evaporating Temp 45.0°F / 7.2°C
Ambient Temp 95.0°F / 35.0°C
Gas Superheat 95.0°F / 35.0°C
Liquid Sub-Cooling . . . 115.0°F / 46.1°C

Electrical Accessories†

Overload Protector
Nominal Operating Characteristics

Model Name MSP24ALZ
Manufacturer Texas Instruments
Temperature To Open: 248°F ± 9°F / 120°C ± 5°C
 Close: 142°F ± 20°F / 61°C ± 11°C
Trip Current @ 158°F (70°C) 6.7 Amps ± 7.5%
 @ 77°F (25°C) 17.5 Amps @ 18 sec. max.

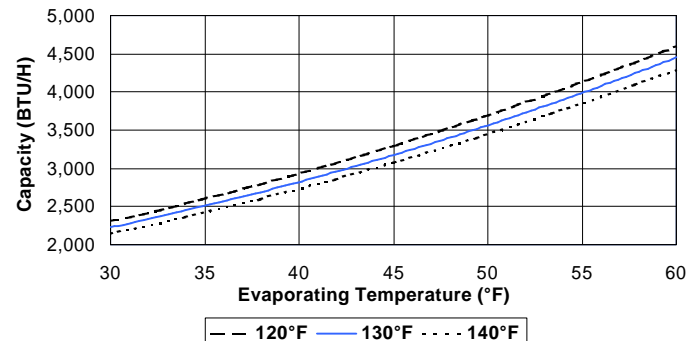
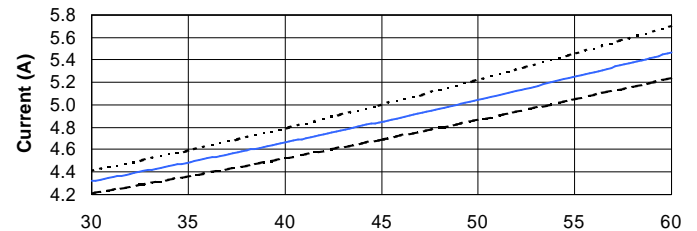
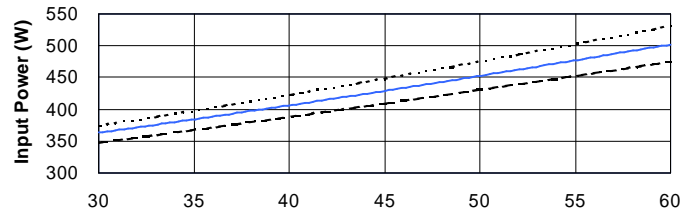
P.T.C. Starting Device
Nominal Operating Characteristics

Model Name	MM8-5CDP4M7	PTH7M4R7MC1	
Manufacturer	Matsushita	Murata Mfg.	
Base resistance			
@ 77°F(25°C) ±20%	4.7	4.7	Ohms
Power Consumption (max)	4.0	3.0	Watts
Operation time	1.5 to 3.5	0.7 to 2.2	seconds
Recovery time (max)	85	70	seconds

Run Capacitor — μF — V (min.)

†Although these accessories are listed by UL/CSA for use with this compressor, Matsushita assumes no responsibility whatsoever for these or any other components sourced by the refrigeration system manufacturer from third parties.

Performance Curves



9 - Point Data

Condensing Temp.	Rating	Evaporating Temp.		
		+30°F	+45°F	+59°F
140°F	Btu/h	2,141	3,073	4,196
	Watts	374	448	525
	Amps	4.41	5.00	5.65
	E.E.R.	5.72	6.86	7.99
130°F	Btu/h	2,229	3,175	4,357
	Watts	363	429	497
	Amps	4.32	4.85	5.42
	E.E.R.	6.14	7.40	8.77
120°F	Btu/h	2,305	3,295	4,500
	Watts	347	409	470
	Amps	4.21	4.69	5.20
	E.E.R.	6.64	8.06	9.57



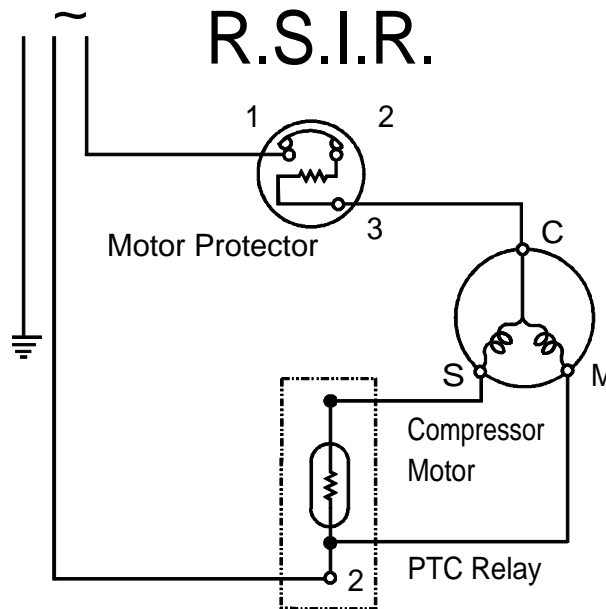
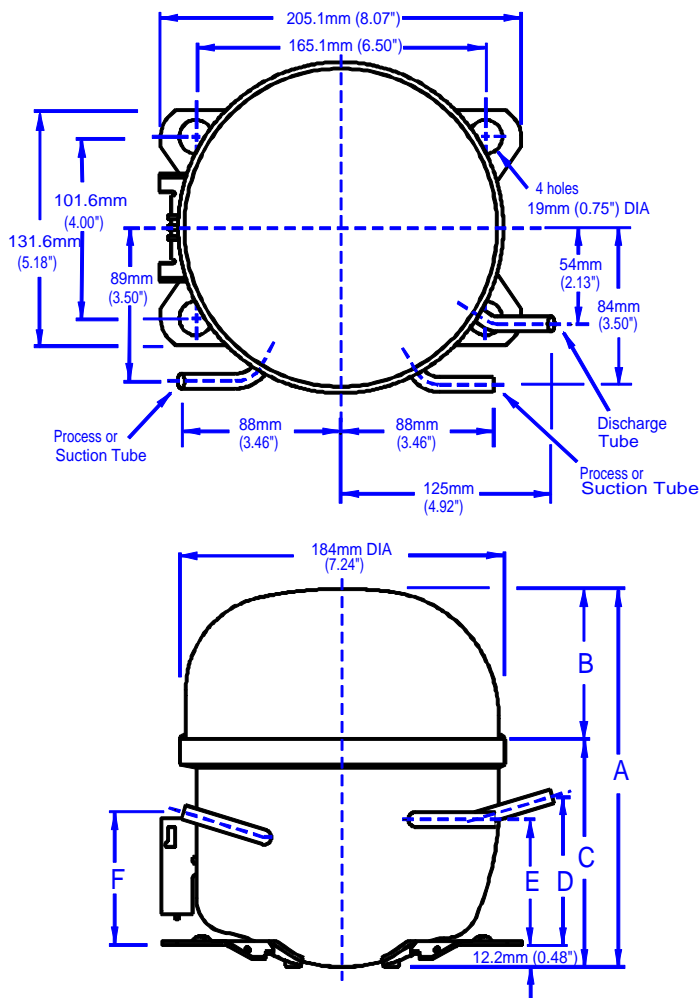
Panasonic Industrial Company
Refrigeration Products Department
Tel: 201 - 392 - 4249
Fax: 201 - 392 - 4315

MATSUSHITA Compressor

MODEL# QA91K22GAU6

Single Phase
R-134a

115 V
60 Hz



Dimensions*

	mm	inches
A	208.6	8.21
B	92.8	3.65
C	115.8	4.56
D	77.0	3.03
E	62.2	2.45
F	77.0	3.03

* All dimensions are for reference only

This document sets forth certain operational parameters and conditions for operation of this product. If this product is operated outside of the parameters and conditions stated herein, buyer assumes sole and full responsibility and shall indemnify seller with respect to all product failures and all consequences thereof. Operation of the product outside of the parameters and conditions specified herein shall serve to invalidate all seller warranties, if any, with respect to the product. This document is for reference only. For specifications, please contact Panasonic's engineering department.

Tubes	Tube O.D.	Wall	Material
Suction	0.39 in. / 10 mm	0.035 in. / 0.9 mm	Copper
Process	0.39 in. / 10 mm	0.035 in. / 0.9 mm	Copper
Discharge	0.33 in. / 8.3 mm	0.035 in. / 0.9 mm	Copper

U.L. File # SA 4615
 C.S.A. File #'s LR - 34080
 LR - 36593
 LR - 100738

General Data	Oil Charge	Oil Charge
Oil Charge	250 cc ± 5 cc / 15.3 cu.in. ± 0.3 cu.in.	
Net Weight With Oil	21.4 lbs, 9.7 kg	
Approved Oils	FREOL α 22	
Residual Moisture	120 mg max.	
Impurities	10 mg max.	
Displacement	9.07 cc. / 0.553 cu. in.	

Panasonic®

Panasonic Industrial Company
 Refrigeration Products Department
 Tel: 201 - 392 - 4249
 Fax: 201 - 392 - 4315

Rev#1-5/9