

ABB MEASUREMENT & ANALYTICS

# Web tension systems

## Pressductor Radial load cells



---

## Measurement made easy

### Web tension systems

Quality tension measurement  
for quality tension control

- Accurate
- Rugged
- Reliable

---

# Pressductor Radial load cells

## Introduction

ABB's Pressductor® Radial load cells (PRT load cells) are sensitive and accurate yet rugged, reliable and compact. They can withstand high overloads and vibrations, and operate over a wide range of tensions: ideal for any web converting application such as coating, laminating, printing, slitting, winding/unwinding and many others.

The well-proven Pressductor load cells combined with the tension electronics, offer an easy-to-use/user-friendly web tension measurement system with superior long term performance leading to higher productivity and product quality and higher profit for the web producer.

### Increased process uptime

In a web process running continuously, every minute of production time is precious. Even so, no production line runs without downtime.

With Pressductor Radial load cells the risk of web breaks can be reduced to a minimum, thus leaving as much time as possible for real production.

Thanks to a strong and stable signal deriving from the PRT load cells, the upcoming web breaks are kept to an absolute minimum level.

### Tighter product tolerances

The ability to produce web to tighter tolerances minimizes the costs associated with non-conforming web. It also increases the web producer's accessible market to include products with tighter tolerance requirements.

---

A Pressductor transducer produces its measurement signal without requiring any physical movement in the transducer measurement element. And it generates a strong signal at comparatively low stress levels. So there is no possibility of fatigue leading to drift and deteriorating measurement performance.



# Pressductor Radial load cells

## 50 years of experience

—  
01 Pressductor technology – mechanical force alters magnetic field.

—  
02, 03, 04 Typical PRT load cell installations.

### Minimize maintenance

Share the experience, of virtually maintenance-free load cells, with thousands of other Pressductor load cell users. A robust load cell design with no fragile or ageing components makes this possible. Thanks to its robust and compact design, the PRT load cells work consistently for many years without any need for maintenance.

### Fast access to support and service

ABB provides customers with superior distinctive after sales service that really differentiates from the competition. You obtain advanced solutions to problems, service and professional consultation through our After Sales Service program. Expert engineers with extensive experience of all types of Force Measurement products are available to assist you through our world-wide network.

### There is a shaft-mounted PRT tension measurement load cell suitable for most web processing machinery used in the converting, printing, plastic film, textiles, and other industries.

In the converting industry, the PRT load cells are ideal on machinery for coating, laminating, embossing, and many other processes.

PRT load cells are used on a wide range of printing presses – in both converting and commercial printing as well as newspaper and magazine production.

In the plastics industry, PRT load cells are used to optimize the production and processing of blown and cast film.

And in the textiles industries, machinery applications include nonwovens production as well as finishing operations like bleaching, desizing, dyeing, and printing.

In all web processing areas, PRT load cells are used on the full range of winding machinery, from unwinders to slitter-rewinders.

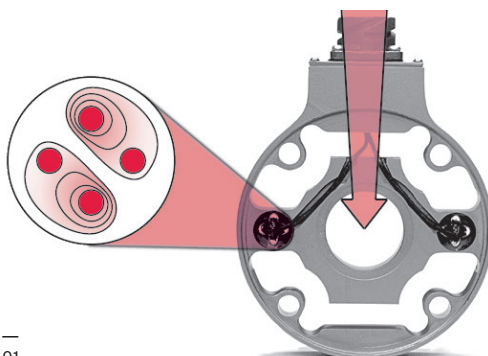
### The Pressductor difference

Like ABB's other load cells based on Pressductor Technology, PRT load cells rely on electromagnetic changes in the transducer, not on physical movement, to sense fluctuations in web tension. The Pressductor Technology operating principle provides exceptional improvements in load cell performance characteristics, including reliability (notably absence of drift), durability, repeatability, and wider measurement range.

Machined from a solid block of steel, the load cells are rugged and stiff, affording high overload protection as well as an extended measurement range above the nominal load. And they do not contribute to machine vibration, even at high speeds.

Since the transducer action – the magnetic flux – takes place inside a steel core, environmental factors like dirt or fluids can't degrade performance and reliability. These stainless steel load cells don't require any physical seals.

Furthermore, low transducer impedance – less than a couple of ohms – helps eliminate susceptibility to radio-frequency and electromagnetic interference.





—  
03



—  
02



—  
04

# Pressductor Radial load cells

## Simple to size and easy to apply

—  
01 Measurement  
directions.

### Designers appreciate:

- Remarkably high spring constant
- Very narrow profile
- High reliability

### Operators value a load cell with:

- No drift
- No need for recalibration
- No failures
- High reliability

### Selecting and sizing load cells

Calculating the forces exerted on load cells in a specific application allows you to determine the ideal load cell size specification. Force calculations and load cell sizing are typically conducted in collaboration with ABB; this page provides an overview of the considerations that play a role in this stage of the specification process.

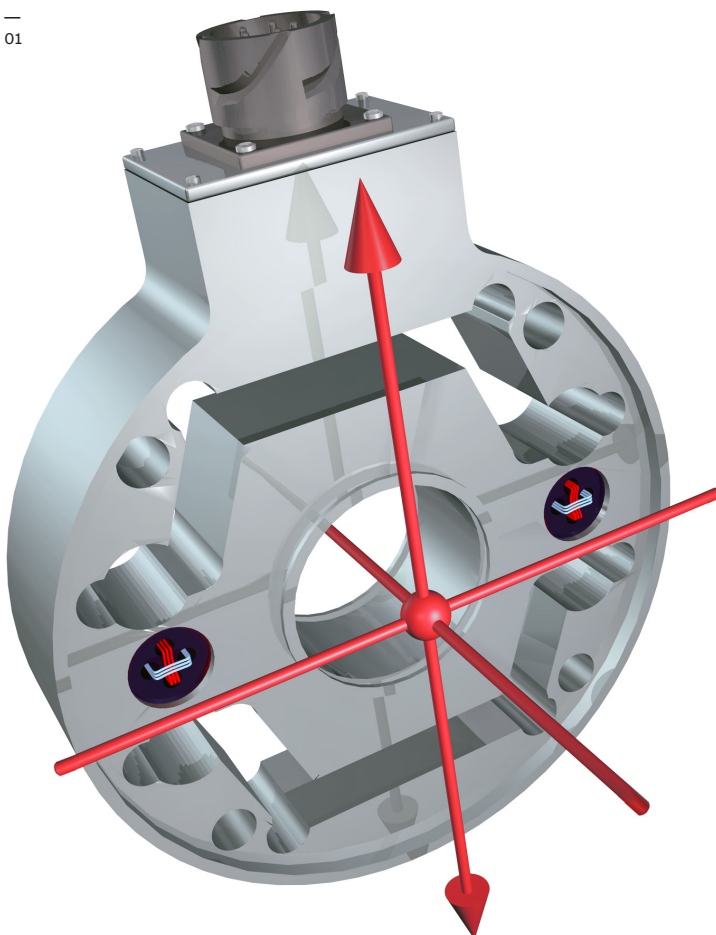
The orientation of PRT load cells on the end of the roll shaft can be adjusted to perform measurements in the most advantageous direction for each application.

In sizing PRT load cells, both the web tension and the weight of the roll and bearings (tare weight) should be considered. If the load cell is oriented vertically or diagonally with respect to the force of gravity, the tare force will contribute to the total force level sensed by the PRT load cell system. If the load cell is oriented horizontally, the tare force will be perpendicular to the measurement axis, and so will not be sensed.

### Calculating the forces

The PRT load cell measures bi-directionally along its measurement axis (see illustration). Once the load cell is oriented and the measurement axis determined, the force components exerted on the load cells of a roll are easily calculated as functions of the web tension, tare force, and deflection angles. Since most systems involve two load cells, the calculated forces are divided by 2 to obtain the forces exerted on each individual load cell. The illustrations on this spread show three scenarios, involving horizontal, vertical and diagonal measurement axes.

—  
01



When horizontal, the measurement force ( $F_{Rtot}$ ) is a function of just the tension in the web ( $T$ ) and the deflection angles ( $\alpha$  and  $\beta$ ). Since the weight of the roll and bearings ( $Tare$ ) is not sensed, the load cells can be sized to measure low tension levels even on a comparatively heavy roll. However, the perpendicular force ( $F_{Vtot}$ ) – which does include  $Tare$  – should not exceed the overload rating.

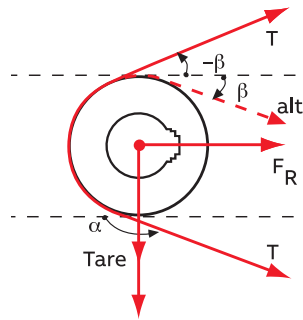
When the measurement force ( $F_{Rtot}$ ) is vertical, it includes the weight of the roll and bearings ( $Tare$ ), and the load cell must be sized accordingly. In effect, the weight of the roll and bearings are using up some of the measurement range of the load cell.

A diagonal load force orientation requires a more complex calculation. Here, the forces sensed in both the measurement direction and the perpendicular direction include a portion of the tare as well as the web tension, and the angle formed by the measurement axis and the horizontal axis ( $\gamma$ ) enters into the calculation.

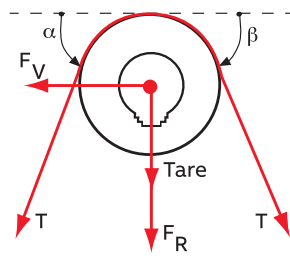
**Application hint**

Two 10 % application guidelines are useful in selecting load cell sizes:

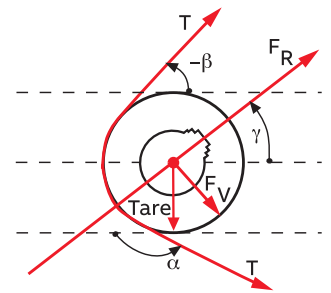
1. The proportion of web tension that is actually sensed by the load cell should be at least 10 % of total web tension. For operational conditions producing values below 10 %, consult ABB.
2. During normal operation, the sensed force should not be less than 10 % of the load cell's capacity.



**Horizontal measuring load cells**  
 $F_{Rtot} = F_R = T(\cos\beta - \cos\alpha)$   
 $F_{Vtot} = F_V + Tare = T(\sin\beta + \sin\alpha) + Tare$



**Vertical measuring load cells**  
 $F_{Rtot} = F_R + Tare = T(\sin\alpha + \sin\beta) + Tare$   
 $F_{Vtot} = F_V = T(\cos\alpha - \cos\beta)$



**Diagonal measuring load cells**  
 $F_{Rtot} = T(\cos(\beta + \gamma) - \cos(\alpha - \gamma)) - Tare \times \sin\gamma$   
 $F_{Vtot} = T(\sin(\alpha - \gamma) + \sin(\beta + \gamma)) + Tare \times \cos\gamma$

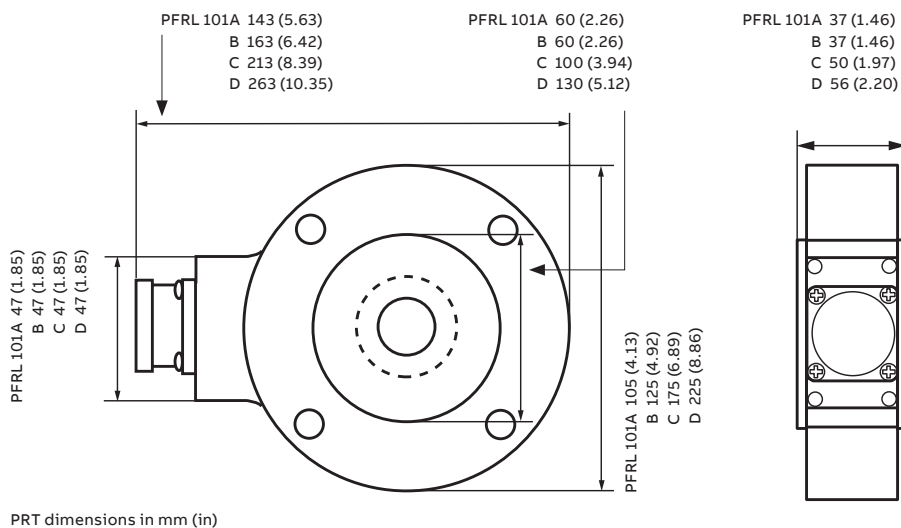
- $F_R$  = Force component of Tension in the measuring direction
- $F_{Rtot}$  = Total force in the measuring direction
- $F_V$  = Force component of Tension transverse to the measuring direction
- $F_{Vtot}$  = Total force in the transverse direction
- $T$  = Tension in web
- $Tare$  = Weight of roll and bearings
- $\alpha, \beta$  = Deflection angles
- $\gamma$  = Angle for load cell mounting

# Pressductor Radial load cells

## Designed to measure web tension

Four standard sizes measure web tension from 0.1 to 100 kN. With its extended-capacity feature, the PRT load cell is capable of measuring tension reliably over a 30:1 range. Superior overload characteristics in all force directions (up to 500 %) eliminate overload failures for all practical purposes.

Exceptionally high spring constant virtually eliminates load cell contributions to machine vibration, even at very high machinery speeds. The performance of the load cells is unaffected by environmental factors like dust, corrosion and radio or electromagnetic interference.



Designed to measure web tension on most types of web processing machinery used in the converting, plastic film, printing, textiles, and other industries.



Technical data		PFRL 101A	PFRL 101B	PFRL 101C			PFRL 101D
Nominal load (rated capacity)	kN	0.5	1.0	0.5	1.0	2.0	5.0
	lb	112	225	112	225	450	1125
Extended load <sup>1</sup>	kN	0.75	1.5	0.75	1.5	3.0	7.5
	lb	169	337	169	337	675	1687
Overload capacity <sup>2</sup>	kN	2.5	5.0	2.5	5.0	10.0	25.0
Measurement direction	lb	562	1125	562	1125	2250	5625
Transverse to measurement direction	kN	2.5	3.0	1.25	2.5	5.0	10.0
	lb	562	674	281	562	1125	2250
Axial	kN	2.5	5.0	2.5	5.0	10.0	25.0
	lb	562	1125	562	1125	2250	5625
Spring constant	kN	50	100	50	100	200	500
	1000 lb/in	286	572	286	572	1143	2858
Deflection <sup>3</sup>	mm	0.01	0.01	0.01	0.01	0.01	0.01
	<sup>1</sup> / <sub>1000</sub> in	0.4	0.4	0.4	0.4	0.4	0.4

**All load cells**

Operating principle	Electromagnetic Pressductor technology	
Accuracy class <sup>4</sup>	%	±0.5
Repeatability error	%	<±0.1
Operating range	30:1	
Stainless steel	SIS	2387 <sup>5</sup>
	DIN	X4CrNiMo165
Working temperature range	-10 to 80 °C	
	14 to 176 °F	
Zero point drift <sup>6</sup>	%/°C	<±0.015
	%/°F	<±0.008
Sensitivity drift <sup>6</sup>	%/°C	<±0.015
	%/°F	<±0.008

Extended-Range Operation Beyond their nominal capacity, PRT load cells have an extended range of measurement – so they can be sized for normal, as opposed to maximum, tension levels. As a result, they can process a wider variety of materials.

<sup>1</sup> Values indicate the total capacity of the load cells when taking into account their permissible extended capacity. In the extended range, above the nominal load, some small decline in measurement accuracy may be experienced.

<sup>2</sup> Maximum permitted loads without affecting load cell calibration.

<sup>3</sup> At nominal load.

<sup>4</sup> Accuracy class is defined as the maximum deviation, and is expressed as a percentage of the sensitivity at nominal load. This includes linearity deviation, hysteresis and repeatability error.

<sup>5</sup> Corrosion resistance properties similar to AISI 304.

<sup>6</sup> Applies for 20 to 80 °C (68 to 176 °F).

# Pressductor Radial load cells

## Shaft sizes and bearing recommendations

—  
01 The bearing is press fit to the roll shaft, and the assembly is slip fit to the load cell and secured with snap rings.

—  
02 Integration of load cell and shaft.

PRT load cells work well with both rotating (live) and non-rotating (dead) shafts. For live shaft applications, many different bearing types and sizes can be used. The load cell and the shaft can be integrated by first press-fitting the selected bearing onto the shaft and then sliding the assembly into the center hole of the PRT load cell. Or, alternatively, the roll shaft may be machined to create a shoulder that one side of the bearing rests against, while the other side is restricted by a snap ring.

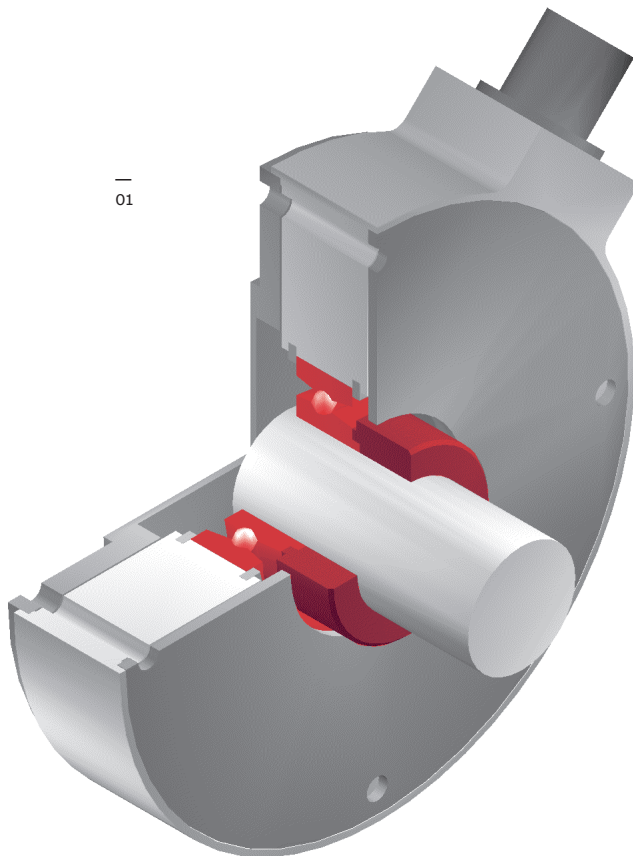
In live shaft assemblies, the roll is held securely in place by snap rings installed in grooves on each side of the bearing in the center hole of the load cell. Thermal expansion of the roll is accommodated by installing snap rings on both sides of the bearing in just one load cell.

The table presents a sampling of bearing specifications for PRT load cells for various shaft diameters and bearing types. Other bearing types and sizes can be accommodated, including both conventional SKF bearings and many self-locking Torrington-type bearings.

The table includes typical examples of bearings for a variety of shaft diameters, based on specific load cell capacities, center hole diameters, and bearing widths (distance between snap rings). Of course, bearing load and rotational speed are also important specification criteria that must be considered when selecting an appropriate bearing. Only the bearings for the largest shaft diameters that fit standard PRT load cells are shown; many other options are available. ABB applications engineers can provide assistance with bearing selection.

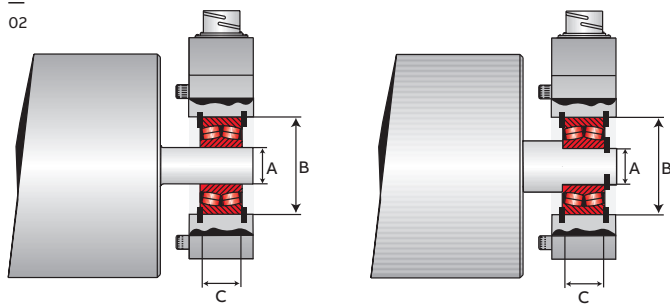
### Application hint

Thermal expansion of the roll is accommodated by installing snap rings on both sides of the bearing in just one load cell.



Load cell		PRFL 101A				PRFL 101B			PRFL 101C			PRFL 101D	
Nominal load	kN	0.5	0.5	0.5	0.5	1.0	1.0	1.0	0.5	1.0	2.0	5.0	5.0
	lb	112	112	112	112	225	225	225	112	225	450	1125	1125
Load cell hole diameter	mm	32	35 <sup>1</sup>	35 <sup>1</sup>	40	40	47	52	80	80	80	110	125
	in	1.26	1.38	1.38	1.57	1.57	1.85	2.05	3.15	3.15	3.15	4.33	4.92
Distance between snap rings	mm	14	11	14	16	16	18	18	23	23	23	28	28
	in	0.55	0.43	0.55	0.63	0.63	0.71	0.71	0.91	0.91	0.91	1.10	1.10
Self-aligning ball bearing													
SKF#		2201E	1202E	2202E	2203E	2203E	2204E	2205E	2208E	2208E	2208E	2212E	2212E
Shaft diameter	mm	12	15	15	17	17	20	25	40	40	40	60	70
	in	0.47	0.59	0.59	0.67	0.67	0.79	0.98	1.57	1.57	1.57	2.36	2.76
Spherical roller bearing													
SKF#							22205E		22208E	22208E	22208E	22212E	22214E
Shaft diameter	mm						25		40	40	40	60	70
	in						0.98		1.57	1.57	1.57	2.36	2.76

02



Note:  
 Bearing specifications in table are samples.  
 PRT load cells can accommodate bearings for many other shaft diameters besides those shown.

<sup>1</sup> Please specify required snap ring distance when ordering.

A = Shaft diameter  
 B = Load cell hole diameter  
 C = Distance between snap rings

# Pressductor Radial load cells

## Mounting options

- 01 Three ways to mount.
- 02 Easy wall mounting.
- 03 For dead shaft rolls ABB provides a dead shaft kit with an adapter that clamps onto the non-rotating roll shaft.
- 04 Grease nipple.

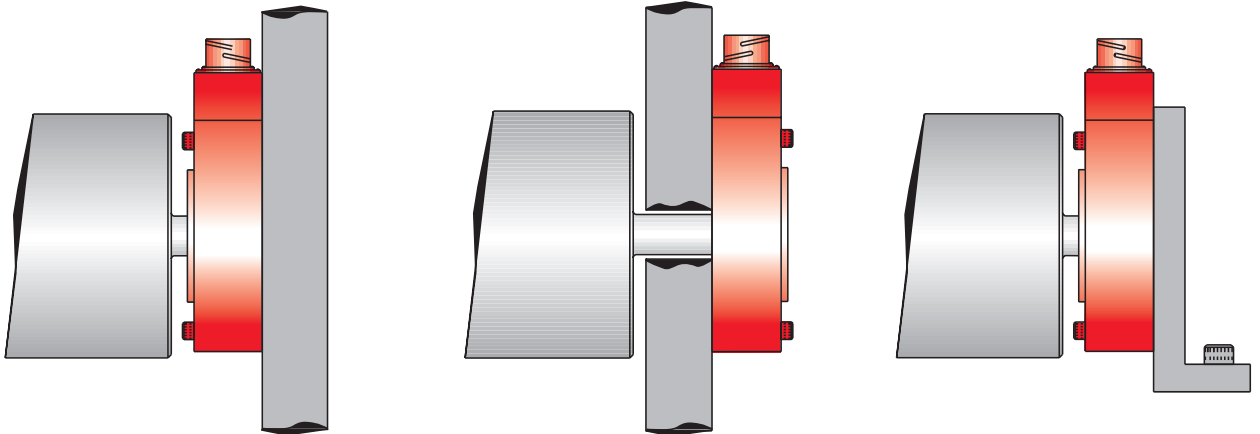
### Three ways to mount

PRT load cells mount with equal ease on the inner and outer side of machine walls. In locations where pedestal mounting is required, a specially designed angle bracket extends the usefulness of the radial load cell.

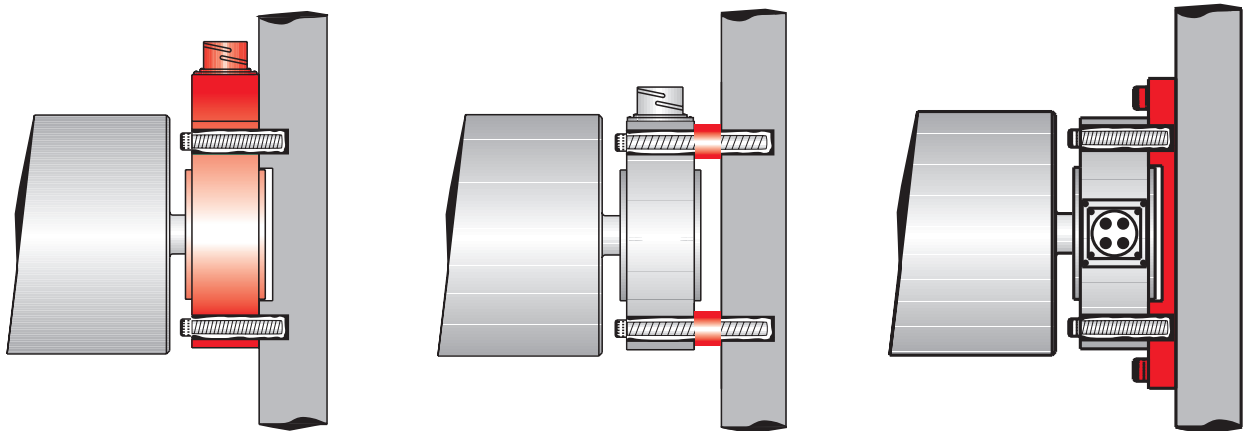
### Easy wall mounting

Aligning load cells on opposing machine walls is made easy by fitting the shallow surface protrusion on the load cells' back cover into predrilled cavities in the machine walls. Alternatively, the load cells can be separated from the machine wall with spacers, or bolted to an adapter plate.

01



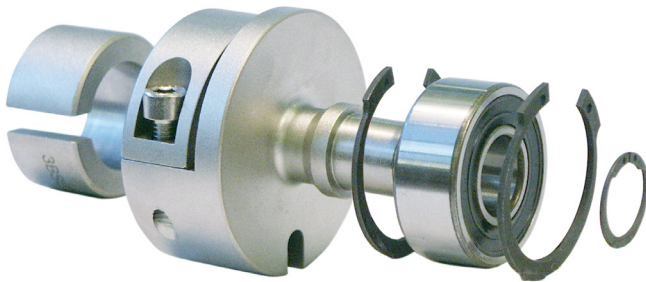
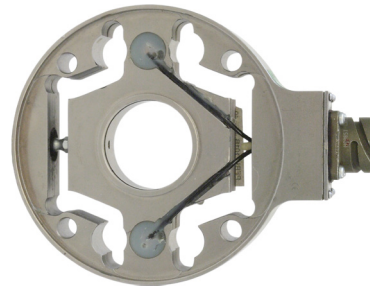
02



**Dead shaft adapter kit**

For applications with non-rotating shaft ends ABB provides an optional dead shaft adapter kit for PFRL 101A and PFRL 101B. The kit consists of a self-aligning bearing to manage misalignments, adapter for different shaft diameters and an anti-rotation pin.

Dead shaft adapter kit is available for following shaft diameters:  $\frac{3}{4}$  in, 1 in,  $1\frac{1}{8}$  in,  $1\frac{1}{4}$  in,  $1\frac{1}{2}$  in, 20 mm, 25 mm and 30 mm.

—  
03—  
04

# Tension electronics

## PFEA – the compact solution

Covering a wide range of applications the tension electronics comes in four versions, with different levels of performance and functionality.

- 01 PFEA tension electronics.
- 02 IP20 version for control room cubicle.
- 03 Interactive display.
- 04 IP65 version for mounting on machine.

All four versions have multi-language digital display and configuration keys. The configuration keys being used for setting different parameters and to check the status of the tension system. The 2 × 16 character display can present sum, difference or individual load cell signals. All four versions are available in both DIN-rail version and enclosed IP65<sup>1</sup> version for mounting in more severe environments.

### PFEA111

A cost effective, compact and user-friendly tension electronics providing an accurate and reliable fast analog SUM signal from two load cells for control and/or monitoring. The display can show the SUM, individual A & B and difference signal. The small size and DIN-rail mount make this unit very easy to integrate into many types of electrical cabinets.

### PFEA112/122

These units provides the same functionality and user friendliness as the PFEA111 with the addition of fieldbus communication via PROFIBUS-DP on PFEA112, and PROFINET RT on PFEA122. On the PFEA122 it is also possible via PROFINET to access the individual A and B signals, besides the SUM signal.

### PFEA113

These advanced tension electronics can supply up to four load cells and have six configurable analog out-puts for control and/or monitoring of web tension. It is possible to see both the SUM, individual A & B and difference signal, not only on the display but also on the output signals. The output signals are also available on PROFIBUS-DP.

Another useful feature is the possibility to switch the gain for two different web paths. This unit also includes a self-diagnostic function and four configurable digital outputs for alarms and level detection.

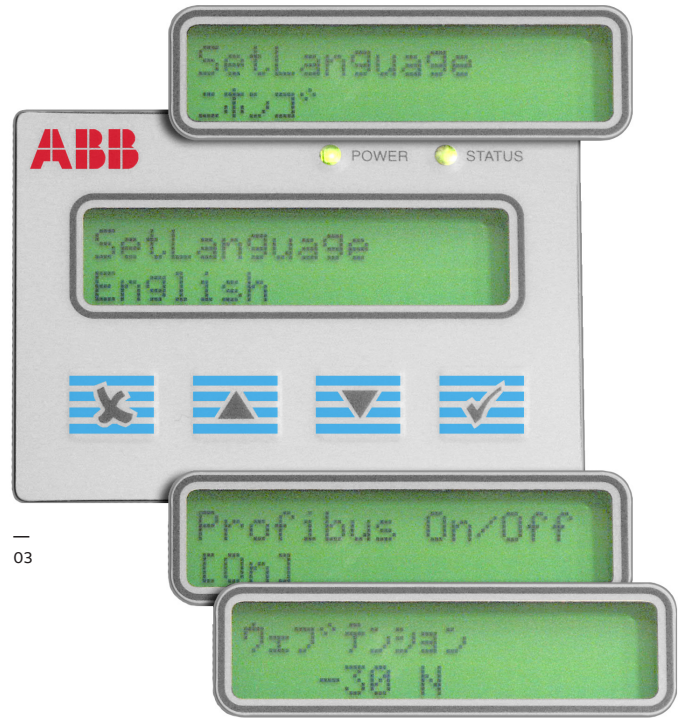
By combining up to three PFEA113, the system can handle segmented roll applications, i.e. winders, with up to 12 load cells.

The high level of functionality and user-friendliness make the PFEA113 one of the most complete tension electronics on the market.

<sup>1</sup> According to IEC 529, EN 60-529

—  
01





03

02



04

# Features and benefits

## **Interactive menu**

The tension electronics has a unique interactive menu which guides the commissioning step by step, eliminating the potential for making mistakes and significantly reducing startup time – a very helpful tool.

## **Built-in self diagnostics**

The electronics continuously supervise a number of important parameters and provides error messages if something goes wrong.

## **Multi-language display**

The multi-language display is a great feature that helps to eliminate mistakes, during start-up and/or operation of the tension system.

## **Load memory**

The resettable load memory stores max. load values.

A useful tool for maintenance.

## **Analog outputs**

The PFEA provide a scaled and zeroed tension output ready for use in control or monitoring. Individual scaling and filtering can be done for each of the analog outputs.

## **PROFIBUS-DP and PROFINET**

PFEA112 and PFEA113 have Fieldbus communication via PROFIBUS-DP as standard. PFEA122 comes with PROFINET RT communication. Regardless of the communication protocol used, measurement values and status information will be available.

## **Filter function**

All units come with a selectable filter function for removal of roll unbalance, machine vibrations and other disturbances.

## **Commissioning without calibration weights**

All Pressductor load cells are standard calibrated to the same sensitivity before delivery from ABB factory. This means that the fastest and most accurate way to commission a tension system is to use a calculated value instead of using calibration weights.

## **Mounting**

To provide flexibility of mounting, all four versions of the tension Electronics are available in two mounting alternatives. For mounting on a standard DIN-rail the IP20 and for wall mounting the IP65.

## **Floor cubicle**

Floor cubicle type MNS Select is available for housing of up to 24 pcs. of PFEA111/112/122 or 12 pcs. of PFEA113 when mounted on 19 inch plates. Exact numbers depend on the combination of different tension electronics and the number of optional units used.



# Options and dimensions

## Options

To meet certain special application requirements the following options are available:

### Insulation amplifier PXUB 201

The insulation amplifier can be used when galvanic insulation is required for analog output signals. The insulation amplifier can be connected to all versions and PFEA113 – IP65 can hold up to four PXUB 201.

Supply voltage	24 V (20 to 253 V AC/DC)	
Current consumption	10 mA + external load	
Signal range	Input	Output
	0 to ±10 V	0 to ±10 V
	0 to ±10 V	0 to ±20 mA
	0 to 10 V	4 to 20 mA
Rated insulation voltage	600 V (basic)	

### Relay board PXXB 201

PXXB 201 is DIN-rail mounted and can be mounted in the IP65 versions of the tension Electronics together with the insulation amplifier. PFEA113-65 can hold up to four PXXB 201.

Supply voltage	24 V DC	
Power consumption	18 mA	
Contact data	AC	6 A at 250 V
	DC	6 A at 250 V

### Power supply unit

When using the DIN-rail IP20 version of the electronics and 24 V main supply is not available, ABB offers optional power supply units.

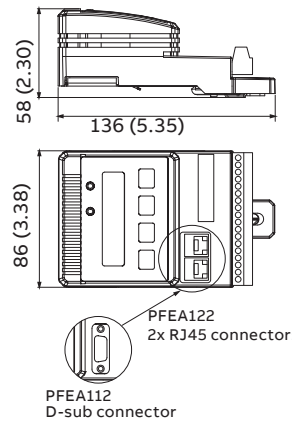
The compact units transform main supply from 110 to 120 V/207 to 240 V AC to 24 V DC for supply of the PFEA tension electronics.

Three power supply units with different power ratings are available. The table below indicates max. number of electronics per power supply unit.

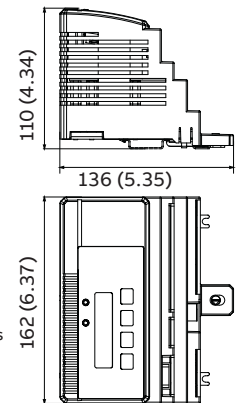
	PFEA111/112/122	PFEA113
SD831 3 A	6	3*
SD832 5 A	12	6*
SD832 10 A	24	12*

\* Supply of digital outputs are not included

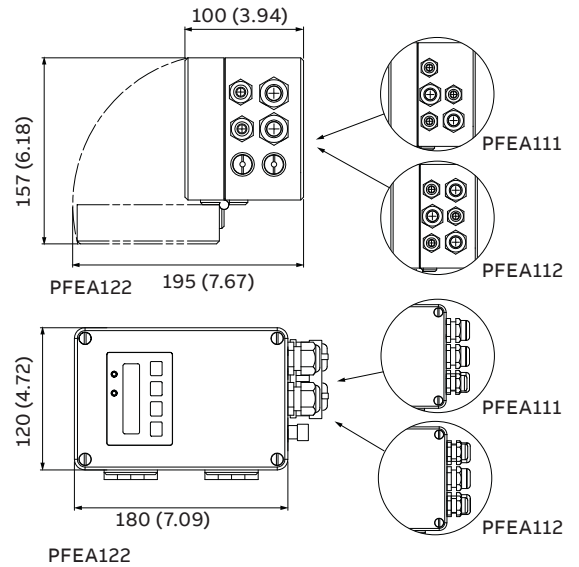
## PFEA111/112/122 IP20 version (unsealed)



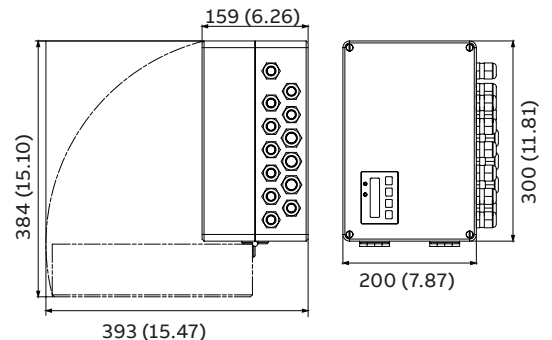
## PFEA113 IP20 version (unsealed)



## PFEA111/112/122 IP65 version



## PFEA113 IP65 version



Dimensions in mm (in)

# Technical data

Data	PFEA111/112/122	PFEA113
<b>Power supply</b>		
IP20 voltage		24 V DC (18 to 36 V)
Power requirement	7.5 W	12 W
IP65 main voltage	24 V DC (18 to 36 V), 100 (-15 %) to 240 (+10 %) V AC	
Frequency	45 to 65 Hz	
<b>Number of load cells</b>	2	4
Load cell excitation		
Current	0.5 A RMS, 330 Hz	0.5 A RMS, 330 Hz
Max. load	2 load cells plus 5 Ω cable resistance	4 load cells plus 10 Ω cable resistance
<b>Inputs</b>		
Digital inputs (remote zero or gain scheduling)	—	1
Analog inputs (connection of multiple PFEA113 units)	—	2
<b>Outputs</b>		
Analog outputs (voltage or current)	—	6
-5 to 11 V (max. load 5 mA)	1	—
0 to 21 mA (max. load 550 Ω)	1	—
Selectable filter		
Step response (0 to 90 %) can be set for each output	15, 30, 75, 250, 750, 1500 ms	5, 15, 30, 75, 250, 750, 1500 ms
Scaling function of analog outputs	Yes	Yes
Digital outputs (Status OK and/or Level detectors)	—	4
Self diagnostics, Status OK		
LED (green/red)	Yes	Yes
Alarm on Digital output	—	Yes
Alarm via PROFIBUS (for PFEA122 via PROFINET)	—	Yes
Multi-language interactive display <sup>1</sup>	Yes	Yes
Selectable tension units on the display	N, kN, kg and lbs, N/m, kN/m, kg/m, pli	
Maximum load memory	Yes	Yes
Zero offset memory	Yes	Yes
<b>Communication</b>		
PROFIBUS DP, baud rate up to 12 Mbit	PFEA112 (GSD-file ABB_0716.GSD) <sup>2</sup>	PFEA113 (GSD-file ABB_0717.GSD) <sup>2</sup>
PROFINET RT	PFEA122 (GSDML-V2.42-ABB-PFEA122-20230330.xml) <sup>2</sup>	
<b>Environmental tolerance</b>		
Electrical environment		
Electrical interference environment	As per EMC Directive 2014/30/EU	
Electrical safety	As per Low Voltage Directive 2014/35/EU As per UL508 Industrial control equipment <sup>3</sup>	
Ambient temperature	5 to 55 °C	

<sup>1</sup> English, German, Italian, French, Japanese, Portuguese

<sup>2</sup> PFEA112: Sum signal, PFEA122: Sum, individual A & individual B signal, PFEA113: Sum, difference, individual A & individual B signal

<sup>3</sup> uL508 approval available for PFEA111, PFEA113 and PFEA112 IP20

Product		Model designation	Ordering number
Load cells	Nominal load kN (lb)	Bearing seat diameter mm (in)	Distance between snap rings mm (in)
	0.5 (112)	32 (1.26)	14 (0.55)
	0.5 (112)	35 (1.38)	11 (0.43)
	0.5 (112)	35 (1.38)	14 (0.55)
	0.5 (112)	40 (1.57)	16 (0.63)
	1.0 (225)	40 (1.57)	16 (0.63)
	1.0 (225)	47 (1.85)	18 (0.71)
	1.0 (225)*	52 (2.05)	18 (0.71)
	0.5 (112)*	80 (3.15)	23 (0.91)
	1.0 (225)*	80 (3.15)	23 (0.91)
	2.0 (450)*	80 (3.15)	23 (0.91)
	5.0 (1,125)*	110 (4.33)	28 (1.10)
	5.0 (1,125)*	125 (4.92)	31 (1.22)
The table shows the ordering numbers for load cells with a hole in one of the two lids ...R1, ...R502, ...R1002. Ordering numbers for load cells with a hole in both lids end with ...R11, ...R512, ...R1012 (second from last digit is 1).			
<b>Grease nipple</b>	Load cell modification for grease nipple (one per order)		3BSE027068R1
*Available for the above marked load cells	Grease nipple kit mounted. One kit per load cell		3BSE026315R1
<b>Dead shaft adapter load cell</b>	Load cell PFRL 101A-0.5 kN for dead shaft application		3BSE002950R6
Includes hole for anti-rotation pin	Load cell PFRL 101B-1.0 kN for dead shaft application		3BSE002958R6
	Load cell PFRL 101C-2.0 kN for dead shaft application		3BSE002963R6
<b>Dead shaft adapter kit for shaft diameter</b>	¾ in		3BSE025538R5
	1 in		3BSE025538R4
	1½ in		3BSE025538R3
	1¾ in		3BSE025538R2
	1½ in		3BSE025538R1
	20 mm		3BSE025538R20
	25 mm		3BSE025538R25
	30 mm		3BSE025538R30
<b>Connection cables (PVC free)</b>	Cable with female connector, 8 m		3BSE003697R108
	Cable with female connector, 20 m		3BSE003697R120
	Cable with female connector, 30 m		3BSE003697R130
	Cable with female connector, 50 m		3BSE003697R150
	Cable with angular female connector, 8 m		3BSE003697R208
	Cable with angular female connector, 20 m		3BSE003697R220
	Cable with angular female connector, 50 m		3BSE003697R250
<b>Mounting brackets</b>	PFRL 101A/B		3BSE003694R1
	PFRL 101C		3BSE003695R1
	PFRL 101D		3BSE003696R1
<b>Junction box</b>		PFXC 141	3BSE029997R1
<b>Tension electronics</b>	PFEA111, IP20	PFEA111-20	3BSE050090R20
	PFEA112, IP20	PFEA112-20	3BSE050091R20
	PFEA113, IP20	PFEA113-20	3BSE050092R20
	PFEA111, IP65	PFEA111-65	3BSE050090R65
	PFEA112, IP65	PFEA112-65	3BSE050091R65
	PFEA113, IP65	PFEA113-65	3BSE050092R65
	PFEA113, IP65, incl. 1 insulation amplifier PXUB 201 – voltage output (connected to AO1)	PFEA113-65.1PXV	3BSE050092R165
	PFEA113, IP65, incl. 2 insulation amplifier PXUB 201 – voltage output (connected to AO1,2)	PFEA113-65.2PXV	3BSE050092R265
	PFEA113, IP65, incl. 3 insulation amplifier PXUB 201 – voltage output (connected to AO1,2,3)	PFEA113-65.3PXV	3BSE050092R365
	PFEA113, IP65, incl. 4 insulation amplifier PXUB 201 – voltage output (connected to AO1,2,3,4)	PFEA113-65.4PXV	3BSE050092R465
	PFEA113, IP65, incl. 1 insulation amplifier PXUB 201 – current output (connected to AO1)	PFEA113-65.1PXC	3BSE050092R1165
	PFEA113, IP65, incl. 2 insulation amplifier PXUB 201 – current output (connected to AO1,2)	PFEA113-65.2PXC	3BSE050092R1265
	PFEA113, IP65, incl. 3 insulation amplifier PXUB 201 – current output (connected to AO1,2,3)	PFEA113-65.3PXC	3BSE050092R1365
	PFEA113, IP65, incl. 4 insulation amplifier PXUB 201 – current output (connected to AO1,2,3,4)	PFEA113-65.4PXC	3BSE050092R1465
<b>Options</b>	Insulation amplifier	PXUB 201	3BSC630149R1
	Relay board	PXKB 201	3BSC810039R1
	Power supply device (3 A)	SD831	3BSC610064R1
	Power supply device (5 A)	SD832	3BSC610065R1
	Power supply device (10 A)	SD833	3BSC610066R1
	Floor cabinet MNS select, sealed IP54		3BSE030582R54
	Floor cabinet MNS select, ventilated IP21		3BSE030582R21



—  
**ABB AB**

**Measurement & Analytics**

Force Measurement

S-721 59 Västerås, Sweden

**[abb.com/webtension](http://abb.com/webtension)**

—  
We reserve the right to make technical changes or modify the contents of this document without prior notice. With regard to purchase orders, the agreed particulars shall prevail. ABB does not accept any responsibility whatsoever for potential errors or possible lack of information in this document.

We reserve all rights in this document and in the subject matter and illustrations contained therein. Any reproduction, disclosure to third parties or utilization of its contents – in whole or in parts – is forbidden without prior written consent of ABB.

© Copyright 2023 ABB.  
All rights reserved.