

---

 TECHNICAL DATA SHEET

# ABB cable glands – SCG series

## Stainless Steel 316L, general purpose cable glands



Stainless steel cable glands for general purpose use, OEM, industrial and commercial applications, where a high level of corrosion resistance may be required.

**Certifications / Standards:**

(Refer to tables for certifications details)




---

**Features & Benefits:**

- Low profile compact cable glands
- Wide cable clamping range
- Excellent corrosion resistance
- Ideal for wet locations

---

**Applications:**

- General purpose
- Panel building
- Light fixture and housings
- Machine building
- Waste treatment
- Suitable for cable types:
  - Non-armoured
  - Portable
  - Tray

---

**Material:**

- Stainless steel 316L construction
- Chloroprene seals

---

**Environmental ratings:**
**Working Temperature:**

- Normal use: -20 to +100°C (-4 to +212°F)
- Short term: -30 to +150°C (-22 to +302°F)

**Ingress protection:**

To ensure ingress protection, use suitable gasket and lock nut when required.

- IP66
- IP68 (5 bar 30 mins)
- NEMA 4

**Chemical resistance guide:**

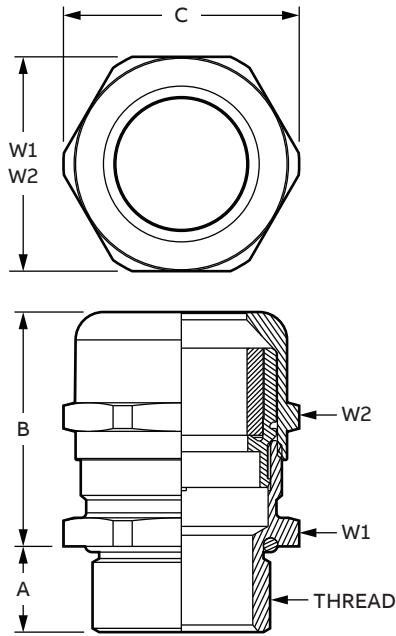
- See publication TDS000081

---

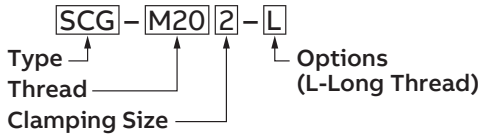
**Conforms to:**

- UL514B / CSA C22.2 No 18.3 (see table for details)
- EN 62444
- RoHS (Restriction of Hazardous Substances Directive) 2011/65/EU Incorporating 2015/863 amendment to Annex II
- WEEE (Waste Electrical & Electronic Equipment Directive) 2002/96/EC
- LVD (Low Voltage Directive) 2014/35/EU





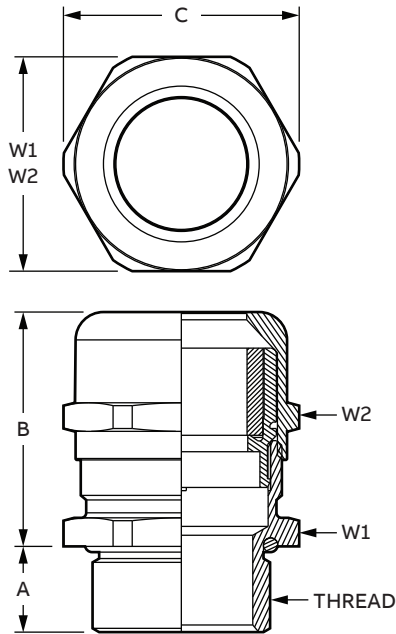
**Part number information:**



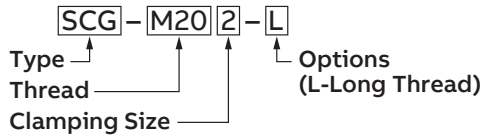
Stainless Steel Cable Gland 6-12mm  
M20X1.5 (12mmTL)

| Product selection |                 |             |             |             |                    |             |             |             |
|-------------------|-----------------|-------------|-------------|-------------|--------------------|-------------|-------------|-------------|
| Part no:          | Thread (metric) | Cable range |             |             | Nominal dimensions |             |             |             |
|                   |                 | Min         | Max         | A           | B                  | C           | W1          | W2          |
| SCG-M321-L        | M32x1.5         | <b>9.0</b>  | <b>16.0</b> | <b>15.0</b> | <b>32.5</b>        | <b>38.9</b> | <b>36.0</b> | <b>30.0</b> |
|                   |                 | (0.354)     | (0.63)      | (0.591)     | (1.28)             | (1.531)     | (1.417)     | (1.181)     |
| SCG-M322          | M32x1.5         | <b>12.0</b> | <b>20.0</b> | <b>9.0</b>  | <b>39.5</b>        | <b>45.5</b> | <b>41.0</b> | <b>41.0</b> |
|                   |                 | (0.472)     | (0.787)     | (0.354)     | (1.555)            | (1.791)     | (1.614)     | (1.614)     |
| SCG-M322-L        | M32x1.5         | <b>12.0</b> | <b>20.0</b> | <b>15.0</b> | <b>39.5</b>        | <b>45.5</b> | <b>41.0</b> | <b>41.0</b> |
|                   |                 | (0.472)     | (0.787)     | (0.591)     | (1.555)            | (1.791)     | (1.614)     | (1.614)     |
| SCG-M323 (cULus)  | M32x1.5         | <b>13.0</b> | <b>18.0</b> | <b>9.0</b>  | <b>32.5</b>        | <b>38.9</b> | <b>36.0</b> | <b>30.0</b> |
|                   |                 | (0.512)     | (0.709)     | (0.354)     | (1.28)             | (1.531)     | (1.417)     | (1.181)     |
| SCG-M323-L        | M32x1.5         | <b>13.0</b> | <b>18.0</b> | <b>15.0</b> | <b>32.5</b>        | <b>38.9</b> | <b>36.0</b> | <b>30.0</b> |
|                   |                 | (0.512)     | (0.709)     | (0.591)     | (1.28)             | (1.531)     | (1.417)     | (1.181)     |
| SCG-M324 (cULus)  | M32x1.5         | <b>15.0</b> | <b>21.0</b> | <b>8.0</b>  | <b>36.0</b>        | <b>39.0</b> | <b>36.0</b> | <b>36.0</b> |
|                   |                 | (0.591)     | (0.827)     | (0.315)     | (1.417)            | (1.535)     | (1.417)     | (1.417)     |
| SCG-M324-L        | M32x1.5         | <b>15.0</b> | <b>21.0</b> | <b>15.0</b> | <b>36.0</b>        | <b>39.0</b> | <b>36.0</b> | <b>36.0</b> |
|                   |                 | (0.591)     | (0.827)     | (0.591)     | (1.417)            | (1.535)     | (1.417)     | (1.417)     |
| SCG-M325          | M32x1.5         | <b>18.0</b> | <b>25.0</b> | <b>9.0</b>  | <b>39.5</b>        | <b>45.5</b> | <b>41.0</b> | <b>41.0</b> |
|                   |                 | (0.709)     | (0.984)     | (0.354)     | (1.555)            | (1.791)     | (1.614)     | (1.614)     |
| SCG-M325-L        | M32x1.5         | <b>18.0</b> | <b>25.0</b> | <b>15.0</b> | <b>39.5</b>        | <b>45.5</b> | <b>41.0</b> | <b>41.0</b> |
|                   |                 | (0.709)     | (0.984)     | (0.591)     | (1.555)            | (1.791)     | (1.614)     | (1.614)     |
| SCG-M401          | M40x1.5         | <b>12.0</b> | <b>20.0</b> | <b>9.0</b>  | <b>40.5</b>        | <b>51.4</b> | <b>46.0</b> | <b>41.0</b> |
|                   |                 | (0.472)     | (0.787)     | (0.354)     | (1.594)            | (2.024)     | (1.811)     | (1.614)     |
| SCG-M401-L        | M40x1.5         | <b>12.0</b> | <b>20.0</b> | <b>15.0</b> | <b>40.5</b>        | <b>51.4</b> | <b>46.0</b> | <b>41.0</b> |
|                   |                 | (0.472)     | (0.787)     | (0.591)     | (1.594)            | (2.024)     | (1.811)     | (1.614)     |
| SCG-M402 (cULus)  | M40x1.5         | <b>19.0</b> | <b>28.0</b> | <b>9.0</b>  | <b>43.5</b>        | <b>51.4</b> | <b>46.0</b> | <b>46.0</b> |
|                   |                 | (0.748)     | (1.102)     | (0.354)     | (1.713)            | (2.024)     | (1.811)     | (1.811)     |
| SCG-M402-L        | M40x1.5         | <b>19.0</b> | <b>28.0</b> | <b>15.0</b> | <b>43.5</b>        | <b>51.4</b> | <b>46.0</b> | <b>46.0</b> |
|                   |                 | (0.748)     | (1.102)     | (0.591)     | (1.713)            | (2.024)     | (1.811)     | (1.811)     |
| SCG-M403 (cULus)  | M40x1.5         | <b>18.0</b> | <b>25.0</b> | <b>9.0</b>  | <b>40.5</b>        | <b>51.4</b> | <b>46.0</b> | <b>41.0</b> |
|                   |                 | (0.709)     | (0.984)     | (0.354)     | (1.594)            | (2.024)     | (1.811)     | (1.614)     |
| SCG-M403-L        | M40x1.5         | <b>18.0</b> | <b>25.0</b> | <b>15.0</b> | <b>40.5</b>        | <b>51.4</b> | <b>46.0</b> | <b>41.0</b> |
|                   |                 | (0.709)     | (0.984)     | (0.591)     | (1.594)            | (2.024)     | (1.811)     | (1.614)     |
| SCG-M404          | M40x1.5         | <b>22.0</b> | <b>32.0</b> | <b>9.0</b>  | <b>47.5</b>        | <b>55.5</b> | <b>50.0</b> | <b>50.0</b> |
|                   |                 | (0.866)     | (1.26)      | (0.354)     | (1.87)             | (2.185)     | (1.969)     | (1.969)     |
| SCG-M404-L        | M40x1.5         | <b>22.0</b> | <b>32.0</b> | <b>15.0</b> | <b>47.5</b>        | <b>55.5</b> | <b>50.0</b> | <b>50.0</b> |
|                   |                 | (0.866)     | (1.26)      | (0.591)     | (1.87)             | (2.185)     | (1.969)     | (1.969)     |
| SCG-M501          | M50x1.5         | <b>20.0</b> | <b>26.0</b> | <b>9.0</b>  | <b>46.0</b>        | <b>60.0</b> | <b>55.0</b> | <b>50.0</b> |
|                   |                 | (0.787)     | (1.024)     | (0.354)     | (1.811)            | (2.362)     | (2.165)     | (1.969)     |
| SCG-M501-L        | M50x1.5         | <b>20.0</b> | <b>26.0</b> | <b>15.0</b> | <b>46.0</b>        | <b>60.0</b> | <b>55.0</b> | <b>50.0</b> |
|                   |                 | (0.787)     | (1.024)     | (0.591)     | (1.811)            | (2.362)     | (2.165)     | (1.969)     |
| SCG-M502 (cULus)  | M50x1.5         | <b>22.0</b> | <b>32.0</b> | <b>9.0</b>  | <b>46.0</b>        | <b>60.0</b> | <b>55.0</b> | <b>50.0</b> |
|                   |                 | (0.866)     | (1.26)      | (0.354)     | (1.811)            | (2.362)     | (2.165)     | (1.969)     |
| SCG-M502-L        | M50x1.5         | <b>22.0</b> | <b>32.0</b> | <b>15.0</b> | <b>46.0</b>        | <b>60.0</b> | <b>55.0</b> | <b>50.0</b> |
|                   |                 | (0.866)     | (1.26)      | (0.591)     | (1.811)            | (2.362)     | (2.165)     | (1.969)     |
| SCG-M503 (cULus)  | M50x1.5         | <b>27.0</b> | <b>38.0</b> | <b>9.0</b>  | <b>51.5</b>        | <b>67.2</b> | <b>60.0</b> | <b>60.0</b> |
|                   |                 | (1.063)     | (1.496)     | (0.354)     | (2.028)            | (2.646)     | (2.362)     | (2.362)     |
| SCG-M503-L        | M50x1.5         | <b>27.0</b> | <b>38.0</b> | <b>15.0</b> | <b>51.5</b>        | <b>67.2</b> | <b>60.0</b> | <b>60.0</b> |
|                   |                 | (1.063)     | (1.496)     | (0.591)     | (2.028)            | (2.646)     | (2.362)     | (2.362)     |
| SCG-M504          | M50x1.5         | <b>34.0</b> | <b>44.0</b> | <b>9.0</b>  | <b>52.0</b>        | <b>71.0</b> | <b>65.0</b> | <b>65.0</b> |
|                   |                 | (1.339)     | (1.732)     | (0.354)     | (2.047)            | (2.795)     | (2.559)     | (2.559)     |

Bold numbers are metric, parenthesis numbers are inches.  
Note: Product must be installed in accordance with applicable national and local electrical codes.



### Part number information:



Stainless Steel Cable Gland 6-12mm  
M20X1.5 (12mmTL)

### Product selection

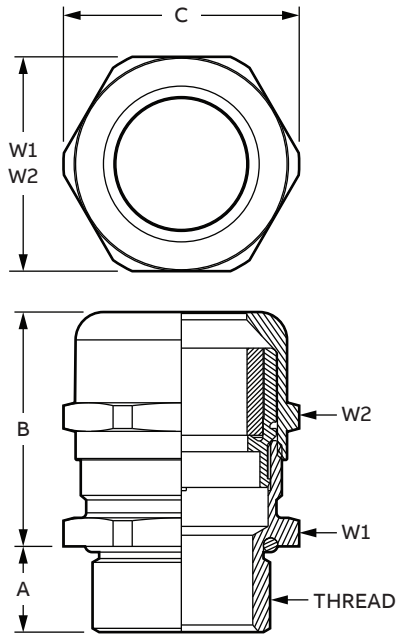
| Part no:         | Thread (metric) | Cable range |             | Nominal dimensions |             |             |             |             |
|------------------|-----------------|-------------|-------------|--------------------|-------------|-------------|-------------|-------------|
|                  |                 | Min         | Max         | A                  | B           | C           | W1          | W2          |
| SCG-M504-L       | M50x1.5         | <b>34.0</b> | <b>44.0</b> | <b>15.0</b>        | <b>52.0</b> | <b>71.0</b> | <b>65.0</b> | <b>65.0</b> |
|                  |                 | (1.339)     | (1.732)     | (0.591)            | (2.047)     | (2.795)     | (2.559)     | (2.559)     |
| SCG-M631         | M63x1.5         | <b>29.0</b> | <b>35.0</b> | <b>10.0</b>        | <b>53.5</b> | <b>77.0</b> | <b>70.0</b> | <b>65.0</b> |
|                  |                 | (1.142)     | (1.378)     | (0.394)            | (2.106)     | (3.031)     | (2.756)     | (2.559)     |
| SCG-M631-L       | M63x1.5         | <b>29.0</b> | <b>35.0</b> | <b>18.0</b>        | <b>53.5</b> | <b>77.0</b> | <b>70.0</b> | <b>65.0</b> |
|                  |                 | (1.142)     | (1.378)     | (0.709)            | (2.106)     | (3.031)     | (2.756)     | (2.559)     |
| SCG-M632 (cULus) | M63x1.5         | <b>34.0</b> | <b>44.0</b> | <b>10.0</b>        | <b>53.5</b> | <b>77.0</b> | <b>70.0</b> | <b>65.0</b> |
|                  |                 | (1.339)     | (1.732)     | (0.394)            | (2.106)     | (3.031)     | (2.756)     | (2.559)     |
| SCG-M632-L       | M63x1.5         | <b>34.0</b> | <b>44.0</b> | <b>18.0</b>        | <b>53.5</b> | <b>77.0</b> | <b>70.0</b> | <b>65.0</b> |
|                  |                 | (1.339)     | (1.732)     | (0.709)            | (2.106)     | (3.031)     | (2.756)     | (2.559)     |
| SCG-M633         | M63x1.5         | <b>37.0</b> | <b>53.0</b> | <b>10.0</b>        | <b>51.0</b> | <b>83.0</b> | <b>75.0</b> | <b>75.0</b> |
|                  |                 | (1.457)     | (2.087)     | (0.394)            | (2.008)     | (3.268)     | (2.953)     | (2.953)     |
| SCG-M633-L       | M63x1.5         | <b>37.0</b> | <b>53.0</b> | <b>18.0</b>        | <b>51.0</b> | <b>83.0</b> | <b>75.0</b> | <b>75.0</b> |
|                  |                 | (1.457)     | (2.087)     | (0.709)            | (2.008)     | (3.268)     | (2.953)     | (2.953)     |

### Product selection

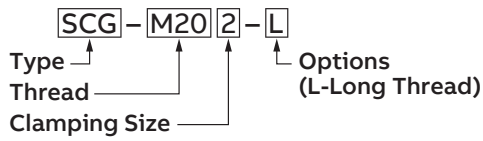
| Part no:         | Thread (NPT) | Cable range |             | Nominal dimensions |             |             |             |             |
|------------------|--------------|-------------|-------------|--------------------|-------------|-------------|-------------|-------------|
|                  |              | Min         | Max         | A                  | B           | C           | W1          | W2          |
| SCG-0381         | 3/8"         | <b>2.0</b>  | <b>6.0</b>  | <b>11.5</b>        | <b>23.0</b> | <b>21.0</b> | <b>19.0</b> | <b>17.0</b> |
|                  |              | (0.079)     | (0.236)     | (0.453)            | (0.906)     | (0.827)     | (0.748)     | (0.669)     |
| SCG-0382         | 3/8"         | <b>5.0</b>  | <b>10.0</b> | <b>11.5</b>        | <b>29.5</b> | <b>22.0</b> | <b>20.0</b> | <b>20.0</b> |
|                  |              | (0.197)     | (0.394)     | (0.453)            | (1.161)     | (0.866)     | (0.787)     | (0.787)     |
| SCG-0501         | 1/2"         | <b>5.0</b>  | <b>9.0</b>  | <b>13.0</b>        | <b>29.0</b> | <b>30.5</b> | <b>27.0</b> | <b>22.0</b> |
|                  |              | (0.197)     | (0.354)     | (0.512)            | (1.142)     | (1.201)     | (1.063)     | (0.866)     |
| SCG-0502 (cULus) | 1/2"         | <b>6.0</b>  | <b>12.0</b> | <b>13.0</b>        | <b>29.0</b> | <b>30.5</b> | <b>27.0</b> | <b>22.0</b> |
|                  |              | (0.236)     | (0.472)     | (0.512)            | (1.142)     | (1.201)     | (1.063)     | (0.866)     |
| SCG-0503         | 1/2"         | <b>10.0</b> | <b>14.0</b> | <b>13.0</b>        | <b>27.5</b> | <b>26.5</b> | <b>24.0</b> | <b>24.0</b> |
|                  |              | (0.394)     | (0.551)     | (0.512)            | (1.083)     | (1.043)     | (0.945)     | (0.945)     |
| SCG-0751         | 3/4"         | <b>9.0</b>  | <b>16.0</b> | <b>13.0</b>        | <b>34.0</b> | <b>33.0</b> | <b>30.0</b> | <b>30.0</b> |
|                  |              | (0.354)     | (0.63)      | (0.512)            | (1.339)     | (1.299)     | (1.181)     | (1.181)     |
| SCG-0752 (cULus) | 3/4"         | <b>13.0</b> | <b>18.0</b> | <b>13.0</b>        | <b>34.0</b> | <b>33.0</b> | <b>30.0</b> | <b>30.0</b> |
|                  |              | (0.512)     | (0.709)     | (0.512)            | (1.339)     | (1.299)     | (1.181)     | (1.181)     |
| SCG-1001         | 1"           | <b>12.0</b> | <b>20.0</b> | <b>13.0</b>        | <b>45.5</b> | <b>45.5</b> | <b>41.0</b> | <b>41.0</b> |
|                  |              | (0.472)     | (0.787)     | (0.512)            | (1.791)     | (1.791)     | (1.614)     | (1.614)     |
| SCG-1002 (cULus) | 1"           | <b>18.0</b> | <b>25.0</b> | <b>13.0</b>        | <b>45.5</b> | <b>45.5</b> | <b>41.0</b> | <b>41.0</b> |
|                  |              | (0.709)     | (0.984)     | (0.512)            | (1.791)     | (1.791)     | (1.614)     | (1.614)     |
| SCG-1251         | 1-1/4"       | <b>22.0</b> | <b>32.0</b> | <b>25.6</b>        | <b>51.0</b> | <b>55.5</b> | <b>50.0</b> | <b>50.0</b> |
|                  |              | (0.866)     | (1.260)     | (1.008)            | (2.008)     | (2.185)     | (1.969)     | (1.969)     |
| SCG-1501         | 1-1/2"       | <b>30.0</b> | <b>38.0</b> | <b>26.0</b>        | <b>50.0</b> | <b>66.5</b> | <b>60.0</b> | <b>60.0</b> |
|                  |              | (1.181)     | (1.496)     | (1.024)            | (1.969)     | (2.618)     | (2.362)     | (2.362)     |
| SCG-2001         | 2"           | <b>34.0</b> | <b>44.0</b> | <b>27.0</b>        | <b>55.0</b> | <b>72.0</b> | <b>65.0</b> | <b>65.0</b> |
|                  |              | (1.339)     | (1.732)     | (1.063)            | (2.165)     | (2.835)     | (2.559)     | (2.559)     |

Bold numbers are metric, parenthesis numbers are inches.

Note: Product must be installed in accordance with applicable national and local electrical codes.



### Part number information:



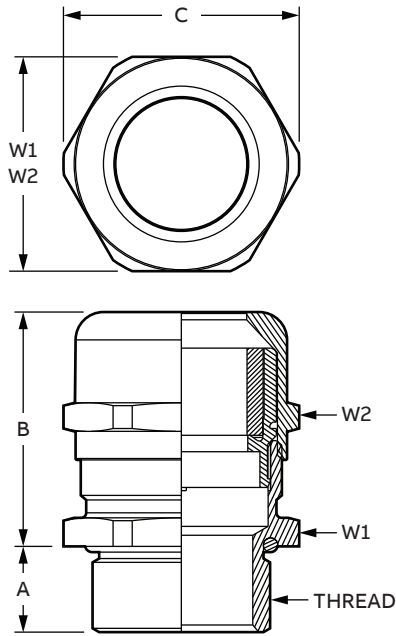
Stainless Steel Cable Gland 6-12mm  
M20X1.5 (12mmTL)

### Product selection

| Part no:          | Thread (PG) | Cable range |             | Nominal dimensions |             |             |             |             |
|-------------------|-------------|-------------|-------------|--------------------|-------------|-------------|-------------|-------------|
|                   |             | Min         | Max         | A                  | B           | C           | W1          | W2          |
| SCG-PG71          | PG07        | <b>2.0</b>  | <b>5.0</b>  | <b>6.0</b>         | <b>22.0</b> | <b>15.5</b> | <b>14.0</b> | <b>14.0</b> |
|                   |             | (0.079)     | (0.197)     | (0.236)            | (0.866)     | (0.61)      | (0.551)     | (0.551)     |
| SCG-PG71-L        | PG07        | <b>2.0</b>  | <b>5.0</b>  | <b>10.0</b>        | <b>22.0</b> | <b>15.5</b> | <b>14.0</b> | <b>14.0</b> |
|                   |             | (0.079)     | (0.197)     | (0.394)            | (0.866)     | (0.61)      | (0.551)     | (0.551)     |
| SCG-PG72 (cURus)  | PG07        | <b>3.0</b>  | <b>6.5</b>  | <b>6.0</b>         | <b>22.0</b> | <b>15.5</b> | <b>14.0</b> | <b>14.0</b> |
|                   |             | (0.118)     | (0.256)     | (0.236)            | (0.866)     | (0.61)      | (0.551)     | (0.551)     |
| SCG-PG72-L        | PG07        | <b>3.0</b>  | <b>6.5</b>  | <b>10.0</b>        | <b>22.0</b> | <b>15.5</b> | <b>14.0</b> | <b>14.0</b> |
|                   |             | (0.118)     | (0.256)     | (0.394)            | (0.866)     | (0.61)      | (0.551)     | (0.551)     |
| SCG-PG91          | PG09        | <b>2.0</b>  | <b>6.0</b>  | <b>6.0</b>         | <b>23.0</b> | <b>21.0</b> | <b>19.0</b> | <b>17.0</b> |
|                   |             | (0.079)     | (0.236)     | (0.236)            | (0.906)     | (0.827)     | (0.748)     | (0.669)     |
| SCG-PG91-L        | PG09        | <b>2.0</b>  | <b>6.0</b>  | <b>10.0</b>        | <b>23.0</b> | <b>21.0</b> | <b>19.0</b> | <b>17.0</b> |
|                   |             | (0.079)     | (0.236)     | (0.394)            | (0.906)     | (0.827)     | (0.748)     | (0.669)     |
| SCG-PG92 (cURus)  | PG09        | <b>4.0</b>  | <b>8.0</b>  | <b>6.0</b>         | <b>23.0</b> | <b>21.0</b> | <b>19.0</b> | <b>17.0</b> |
|                   |             | (0.157)     | (0.315)     | (0.236)            | (0.906)     | (0.827)     | (0.748)     | (0.669)     |
| SCG-PG92-L        | PG09        | <b>4.0</b>  | <b>8.0</b>  | <b>10.0</b>        | <b>23.0</b> | <b>21.0</b> | <b>19.0</b> | <b>17.0</b> |
|                   |             | (0.157)     | (0.315)     | (0.394)            | (0.906)     | (0.827)     | (0.748)     | (0.669)     |
| SCG-PG111         | PG11        | <b>3.0</b>  | <b>7.0</b>  | <b>6.0</b>         | <b>25.5</b> | <b>24.0</b> | <b>22.0</b> | <b>22.0</b> |
|                   |             | (0.118)     | (0.276)     | (0.236)            | (1.004)     | (0.945)     | (0.866)     | (0.866)     |
| SCG-PG111-L       | PG11        | <b>3.0</b>  | <b>7.0</b>  | <b>10.0</b>        | <b>25.5</b> | <b>24.0</b> | <b>22.0</b> | <b>22.0</b> |
|                   |             | (0.118)     | (0.276)     | (0.394)            | (1.004)     | (0.945)     | (0.866)     | (0.866)     |
| SCG-PG112 (cURus) | PG11        | <b>5.0</b>  | <b>10.0</b> | <b>6.0</b>         | <b>25.5</b> | <b>24.0</b> | <b>22.0</b> | <b>22.0</b> |
|                   |             | (0.197)     | (0.394)     | (0.236)            | (1.004)     | (0.945)     | (0.866)     | (0.866)     |
| SCG-PG112-L       | PG11        | <b>5.0</b>  | <b>10.0</b> | <b>10.0</b>        | <b>25.5</b> | <b>24.0</b> | <b>22.0</b> | <b>22.0</b> |
|                   |             | (0.197)     | (0.394)     | (0.394)            | (1.004)     | (0.945)     | (0.866)     | (0.866)     |
| SCG-PG131         | PG13.5      | <b>5.0</b>  | <b>9.0</b>  | <b>6.5</b>         | <b>24.0</b> | <b>24.5</b> | <b>22.0</b> | <b>22.0</b> |
|                   |             | (0.197)     | (0.354)     | (0.256)            | (0.945)     | (0.965)     | (0.866)     | (0.866)     |
| SCG-PG131-L       | PG13.5      | <b>5.0</b>  | <b>9.0</b>  | <b>10.0</b>        | <b>24.0</b> | <b>24.5</b> | <b>22.0</b> | <b>22.0</b> |
|                   |             | (0.197)     | (0.354)     | (0.394)            | (0.945)     | (0.965)     | (0.866)     | (0.866)     |
| SCG-PG132 (cULus) | PG13.5      | <b>6.0</b>  | <b>12.0</b> | <b>6.5</b>         | <b>24.0</b> | <b>24.5</b> | <b>22.0</b> | <b>22.0</b> |
|                   |             | (0.236)     | (0.472)     | (0.256)            | (0.945)     | (0.965)     | (0.866)     | (0.866)     |
| SCG-PG132-L       | PG13.5      | <b>6.0</b>  | <b>12.0</b> | <b>10.0</b>        | <b>24.0</b> | <b>24.5</b> | <b>22.0</b> | <b>22.0</b> |
|                   |             | (0.236)     | (0.472)     | (0.394)            | (0.945)     | (0.965)     | (0.866)     | (0.866)     |
| SCG-PG161         | PG16        | <b>7.0</b>  | <b>12.0</b> | <b>6.5</b>         | <b>27.5</b> | <b>26.5</b> | <b>24.0</b> | <b>24.0</b> |
|                   |             | (0.276)     | (0.472)     | (0.256)            | (1.083)     | (1.043)     | (0.945)     | (0.945)     |
| SCG-PG161-L       | PG16        | <b>7.0</b>  | <b>12.0</b> | <b>10.0</b>        | <b>27.5</b> | <b>26.5</b> | <b>24.0</b> | <b>24.0</b> |
|                   |             | (0.276)     | (0.472)     | (0.394)            | (1.083)     | (1.043)     | (0.945)     | (0.945)     |
| SCG-PG162 (cULus) | PG16        | <b>10.0</b> | <b>14.0</b> | <b>6.5</b>         | <b>27.5</b> | <b>26.5</b> | <b>24.0</b> | <b>24.0</b> |
|                   |             | (0.394)     | (0.551)     | (0.256)            | (1.083)     | (1.043)     | (0.945)     | (0.945)     |
| SCG-PG162-L       | PG16        | <b>10.0</b> | <b>14.0</b> | <b>10.0</b>        | <b>27.5</b> | <b>26.5</b> | <b>24.0</b> | <b>24.0</b> |
|                   |             | (0.394)     | (0.551)     | (0.394)            | (1.083)     | (1.043)     | (0.945)     | (0.945)     |
| SCG-PG211         | PG21        | <b>9.0</b>  | <b>16.0</b> | <b>7.2</b>         | <b>31.5</b> | <b>33.0</b> | <b>30.0</b> | <b>30.0</b> |
|                   |             | (0.354)     | (0.63)      | (0.283)            | (1.24)      | (1.299)     | (1.181)     | (1.181)     |
| SCG-PG211-L       | PG21        | <b>9.0</b>  | <b>16.0</b> | <b>10.0</b>        | <b>31.5</b> | <b>33.0</b> | <b>30.0</b> | <b>30.0</b> |
|                   |             | (0.354)     | (0.63)      | (0.394)            | (1.24)      | (1.299)     | (1.181)     | (1.181)     |
| SCG-PG212 (cULus) | PG21        | <b>13.0</b> | <b>18.0</b> | <b>7.2</b>         | <b>31.5</b> | <b>33.0</b> | <b>30.0</b> | <b>30.0</b> |
|                   |             | (0.512)     | (0.709)     | (0.283)            | (1.24)      | (1.299)     | (1.181)     | (1.181)     |
| SCG-PG212-L       | PG21        | <b>13.0</b> | <b>18.0</b> | <b>12.0</b>        | <b>31.5</b> | <b>33.0</b> | <b>30.0</b> | <b>30.0</b> |
|                   |             | (0.512)     | (0.709)     | (0.472)            | (1.24)      | (1.299)     | (1.181)     | (1.181)     |

Bold numbers are metric, parenthesis numbers are inches.

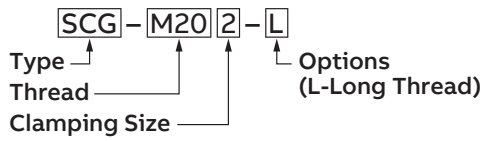
Note: Product must be installed in accordance with applicable national and local electrical codes.



| Product selection |             |             |             |             |                    |             |             |             |
|-------------------|-------------|-------------|-------------|-------------|--------------------|-------------|-------------|-------------|
| Part no:          | Thread (PG) | Cable range |             |             | Nominal dimensions |             |             |             |
|                   |             | Min         | Max         | A           | B                  | C           | W1          | W2          |
| SCG-PG291         | PG29        | <b>12.0</b> | <b>20.0</b> | <b>8.0</b>  | <b>40.5</b>        | <b>45.5</b> | <b>41.0</b> | <b>41.0</b> |
|                   |             | (0.472)     | (0.787)     | (0.315)     | (1.594)            | (1.791)     | (1.614)     | (1.614)     |
| SCG-PG291-L       | PG29        | <b>12.0</b> | <b>20.0</b> | <b>12.0</b> | <b>40.5</b>        | <b>45.5</b> | <b>41.0</b> | <b>41.0</b> |
|                   |             | (0.472)     | (0.787)     | (0.472)     | (1.594)            | (1.791)     | (1.614)     | (1.614)     |
| SCG-PG292 (cULus) | PG29        | <b>18.0</b> | <b>25.0</b> | <b>8.0</b>  | <b>40.5</b>        | <b>45.5</b> | <b>41.0</b> | <b>41.0</b> |
|                   |             | (0.709)     | (0.984)     | (0.315)     | (1.594)            | (1.791)     | (1.614)     | (1.614)     |
| SCG-PG292-L       | PG29        | <b>18.0</b> | <b>25.0</b> | <b>12.0</b> | <b>40.5</b>        | <b>45.5</b> | <b>41.0</b> | <b>41.0</b> |
|                   |             | (0.709)     | (0.984)     | (0.472)     | (1.594)            | (1.791)     | (1.614)     | (1.614)     |
| SCG-PG361         | PG36        | <b>20.0</b> | <b>26.0</b> | <b>9.0</b>  | <b>47.5</b>        | <b>55.5</b> | <b>50.0</b> | <b>50.0</b> |
|                   |             | (0.787)     | (1.024)     | (0.354)     | (1.87)             | (2.185)     | (1.969)     | (1.969)     |
| SCG-PG361-L       | PG36        | <b>20.0</b> | <b>26.0</b> | <b>14.0</b> | <b>47.5</b>        | <b>55.5</b> | <b>50.0</b> | <b>50.0</b> |
|                   |             | (0.787)     | (1.024)     | (0.551)     | (1.87)             | (2.185)     | (1.969)     | (1.969)     |
| SCG-PG362 (cULus) | PG36        | <b>22.0</b> | <b>32.0</b> | <b>9.0</b>  | <b>47.5</b>        | <b>55.5</b> | <b>50.0</b> | <b>50.0</b> |
|                   |             | (0.866)     | (1.26)      | (0.354)     | (1.87)             | (2.185)     | (1.969)     | (1.969)     |
| SCG-PG362-L       | PG36        | <b>22.0</b> | <b>32.0</b> | <b>14.0</b> | <b>47.5</b>        | <b>55.5</b> | <b>50.0</b> | <b>50.0</b> |
|                   |             | (0.866)     | (1.26)      | (0.551)     | (1.87)             | (2.185)     | (1.969)     | (1.969)     |
| SCG-PG421         | PG42        | <b>25.0</b> | <b>31.0</b> | <b>12.0</b> | <b>48.0</b>        | <b>66.5</b> | <b>60.0</b> | <b>60.0</b> |
|                   |             | (0.984)     | (1.22)      | (0.472)     | (1.89)             | (2.618)     | (2.362)     | (2.362)     |
| SCG-PG421-L       | PG42        | <b>25.0</b> | <b>31.0</b> | <b>16.0</b> | <b>48.0</b>        | <b>66.5</b> | <b>60.0</b> | <b>60.0</b> |
|                   |             | (0.984)     | (1.22)      | (0.63)      | (1.89)             | (2.618)     | (2.362)     | (2.362)     |
| SCG-PG422 (cULus) | PG42        | <b>30.0</b> | <b>38.0</b> | <b>12.0</b> | <b>48.0</b>        | <b>66.5</b> | <b>60.0</b> | <b>60.0</b> |
|                   |             | (1.181)     | (1.496)     | (0.472)     | (1.89)             | (2.618)     | (2.362)     | (2.362)     |
| SCG-PG422-L       | PG42        | <b>30.0</b> | <b>38.0</b> | <b>16.0</b> | <b>48.0</b>        | <b>66.5</b> | <b>60.0</b> | <b>60.0</b> |
|                   |             | (1.181)     | (1.496)     | (0.63)      | (1.89)             | (2.618)     | (2.362)     | (2.362)     |
| SCG-PG481         | PG48        | <b>29.0</b> | <b>35.0</b> | <b>14.0</b> | <b>49.5</b>        | <b>72.0</b> | <b>65.0</b> | <b>65.0</b> |
|                   |             | (1.142)     | (1.378)     | (0.551)     | (1.949)            | (2.835)     | (2.559)     | (2.559)     |
| SCG-PG481-L       | PG48        | <b>29.0</b> | <b>35.0</b> | <b>18.0</b> | <b>49.5</b>        | <b>72.0</b> | <b>65.0</b> | <b>65.0</b> |
|                   |             | (1.142)     | (1.378)     | (0.709)     | (1.949)            | (2.835)     | (2.559)     | (2.559)     |
| SCG-PG482 (cULus) | PG48        | <b>34.0</b> | <b>44.0</b> | <b>14.0</b> | <b>49.5</b>        | <b>72.0</b> | <b>65.0</b> | <b>65.0</b> |
|                   |             | (1.339)     | (1.732)     | (0.551)     | (1.949)            | (2.835)     | (2.559)     | (2.559)     |
| SCG-PG482-L       | PG48        | <b>34.0</b> | <b>44.0</b> | <b>18.0</b> | <b>49.5</b>        | <b>72.0</b> | <b>65.0</b> | <b>65.0</b> |
|                   |             | (1.339)     | (1.732)     | (0.709)     | (1.949)            | (2.835)     | (2.559)     | (2.559)     |

Bold numbers are metric, parenthesis numbers are inches.  
 Note: Product must be installed in accordance with applicable national and local electrical codes.

Part number information:



Stainless Steel Cable Gland 6-12mm  
 M20X1.5 (12mmTL)

