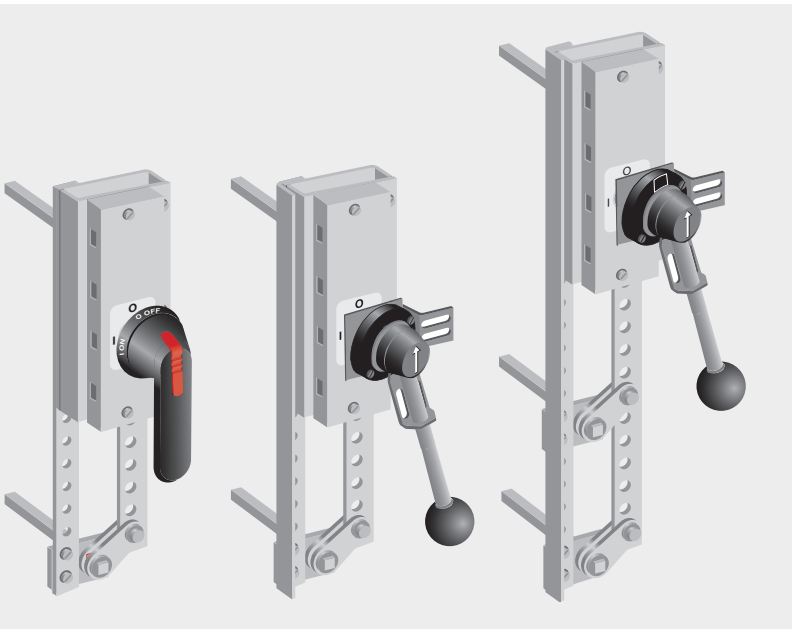


—
INSTALLATION INSTRUCTION

Switch Conversion kits

OETLZW_

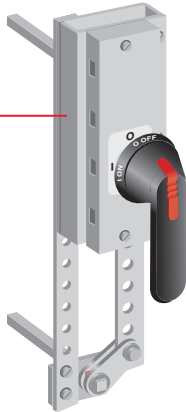


OETLZW11, 12, 13

Change-over mechanism

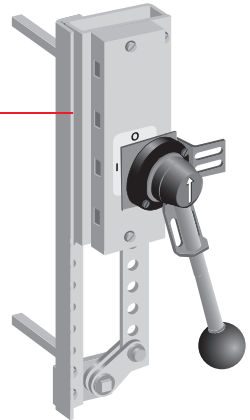
OETLW11

OT315...400
OS315...400



OETLW12

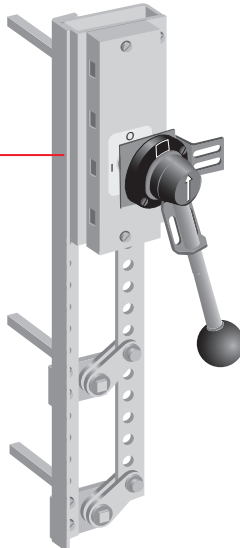
OT315...800E
OT600U
OS315...400



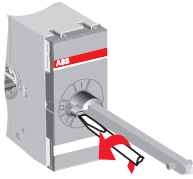
By-pass mechanism

OETLW13

OT315...800E
OT600U
OS315...400

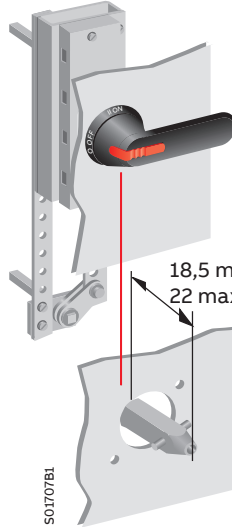


OETLZW11, 12, 13



1,2 Nm
11 lb.in

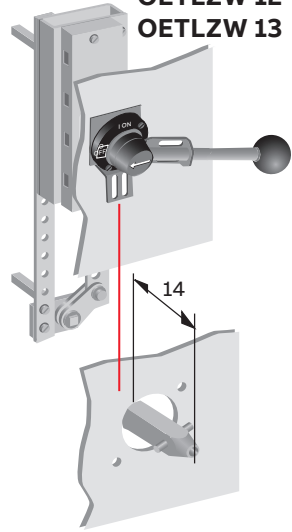
OETLZW 11



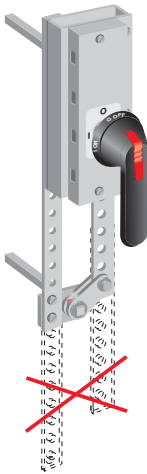
18,5 min /
22 max

S01707B1

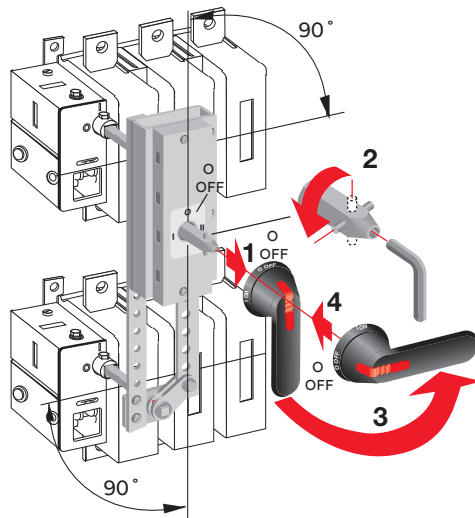
OETLZW 12
OETLZW 13



14

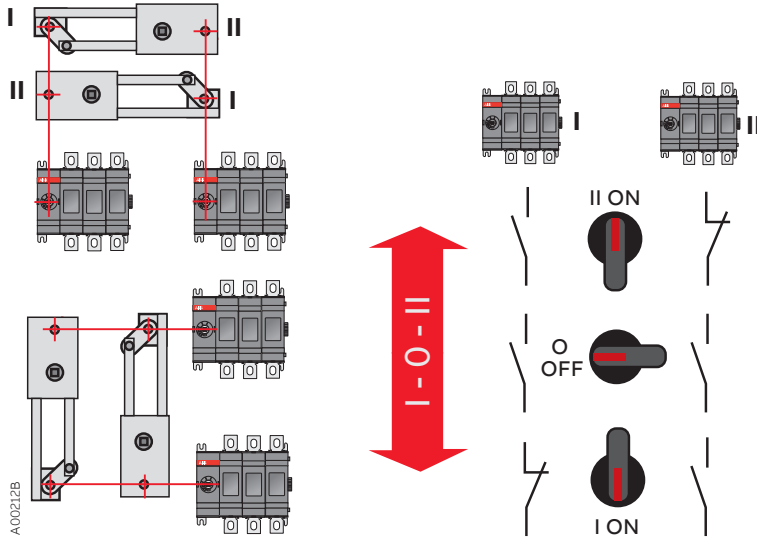


S01707B3



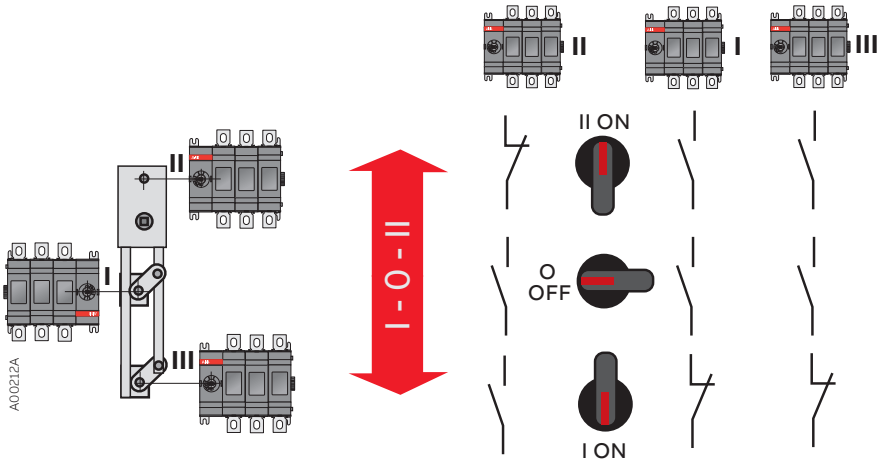
Change over function

OETLZW11, 12



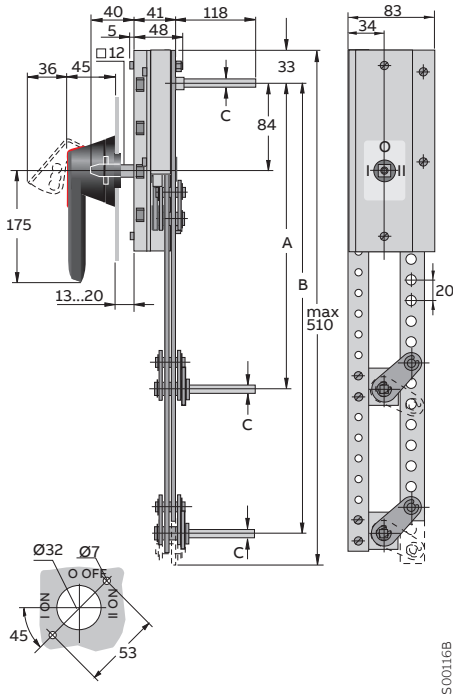
By-pass function

OETLW13

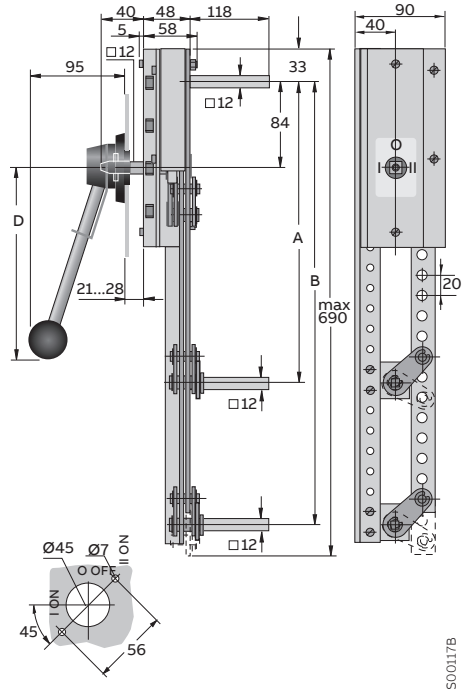


Dimension drawing

OETLZW11, 12, 13



	A	B	C
OETLZW 11	210+(0...11)x20 mm		12



	A	B	D
OETLZW 12	210+(0...18)x20 mm		220 mm
OETLZW 13	210+(0...18)x20 mm	250+(0...18)x20 mm	320 mm



Contact us

ABB Oy

P.O. Box 622
FI-65101 Vaasa
Finland

abb.com/lowvoltage