

Breakers and Switches

Transfer, change-over and bypass switches Securing your power to perform

Transfer, change-over and bypass switches

Securing your power to perform

Transfer, change-over and bypass switches	
Description and typical applications	4
<hr/>	
Manual change-over switches	
General information	10
Ordering information	18
Dimension drawings	28
Optional accessories	34
<hr/>	
Motorized change-over switches	
General information	46
Ordering information	54
Dimension drawings	62
Optional accessories	66
<hr/>	
Automatic transfer switches	
General information	78
Ordering information	87
Dimension drawings	90
Optional accessories	94
<hr/>	
Manual and motorized bypass switches	
General information	104
Ordering information	110
Dimension drawings	114
Optional accessories	116
<hr/>	
Index	
List of products with page number in alphabetical order	122



A secure power supply is essential to any application relying on electricity. We offer a full range of smart, safe and reliable change-over switches for your critical applications.



Comprehensive offering

ABB offers a wide variety of switches to cover all your needs. A complete range from 16 to 3200 Amperes in manual, remote and automatic switches is further enhanced by vast amounts of additional accessories ranging from advanced controllers to auxiliary contacts.



Reliable performance

ABB change-over, bypass and transfer switches are designed, built and tested for the best possible performance. Switches are designed to be virtually maintenance free across their entire extended lifespan and offer reliable performance in any and all possible circumstances. Durability has been ensured by testing switches against the IEC 60947-6-1 standard.



Smart and compact design

All switches by have been designed for easy and cost-efficient installation, maintenance and use. Their modular design and smaller dimensions enable installation into smaller enclosures saving precious space and significantly reducing material, handling and installation costs. The simple design also makes use easy even without previous experience or training.



Safe operations

ABB change-over, bypass and transfer switches come equipped with a comprehensive range of inbuilt safety features such as mechanical interlock. All motorized and automatic switches can also be operated manually in emergency situations, but can also be padlocked when the handle is removed to prevent unwanted manual or remote operations or enable safe maintenance work.



ABB product support

All our switches have been built to the highest standards and are always supported by our dedicated and skilled worldwide service network. If you ever find yourself in need of immediate service or assistance, don't hesitate to get in touch with us. With a product by ABB you are never alone.

A smooth and safe transition from one power source to another is of the utmost importance. In case of power source failure, whether planned or unplanned, a rapid switch to back-up power is often crucial.



To meet any and all of your change-over, bypass and transfer needs, we offer a wide variety of switches ranging from 16 to 3200 Amperes. ABB's range includes switches that allow you to transfer from one source to another manually, remotely or automatically.



ABB Change-over Switches for applications in all walks of life

Back up power for industrial applications

- Power plants
- Data centers
- Production plants
- Farming facilities



Critical lighting and air conditioning for mass transportation hubs

- Airport runways
- Underground railways
- Car parks

Ensured continuity of public services

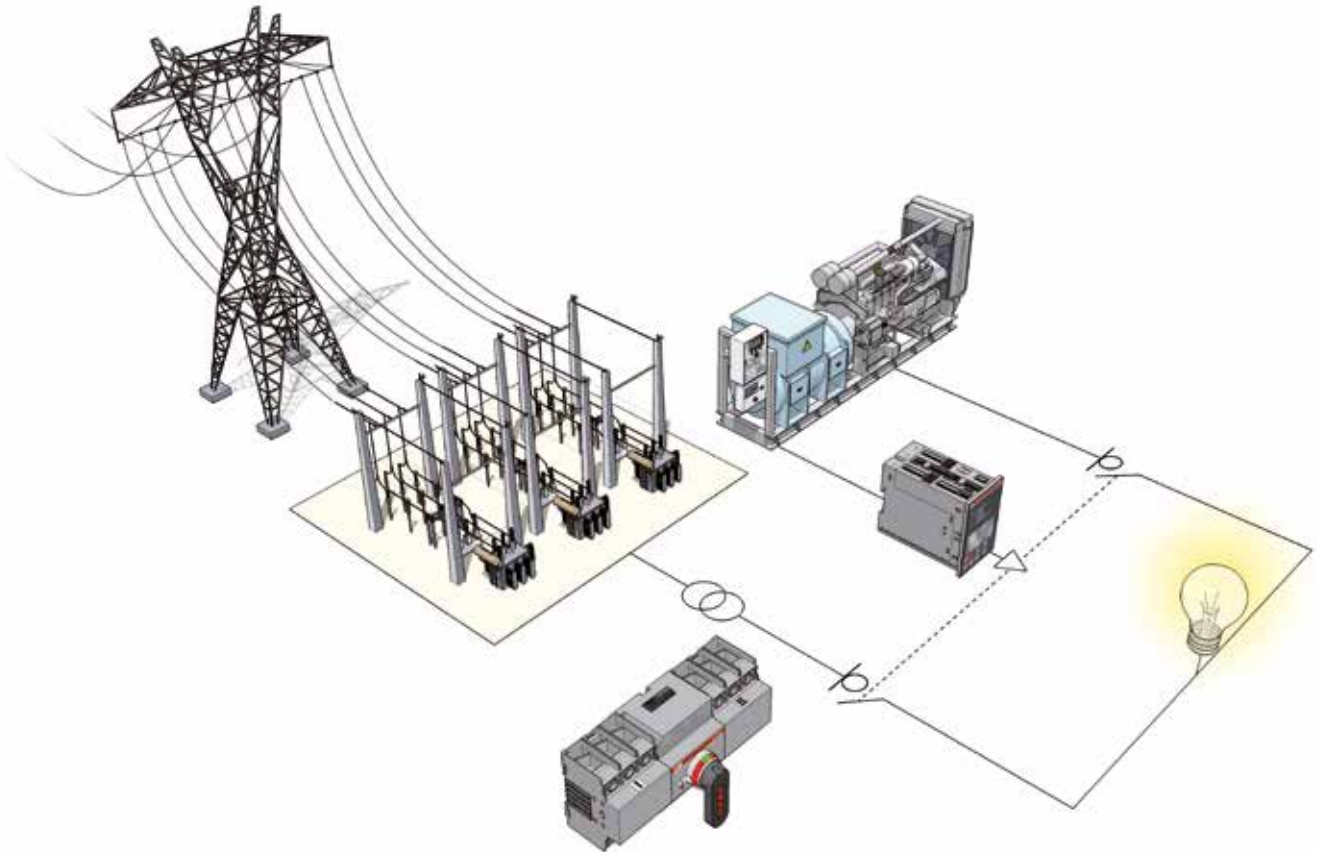
- Water pumping stations
- Sewage treatment plants
- Telecommunications



Buildings (back up power, lighting, sprinklers, elevators etc.)

- Hospitals
- Shops and malls
- Hotels and restaurants
- Sport stadiums and arenas
- Private residences

Ensuring a constant power supply is critical in typical change-over switch applications

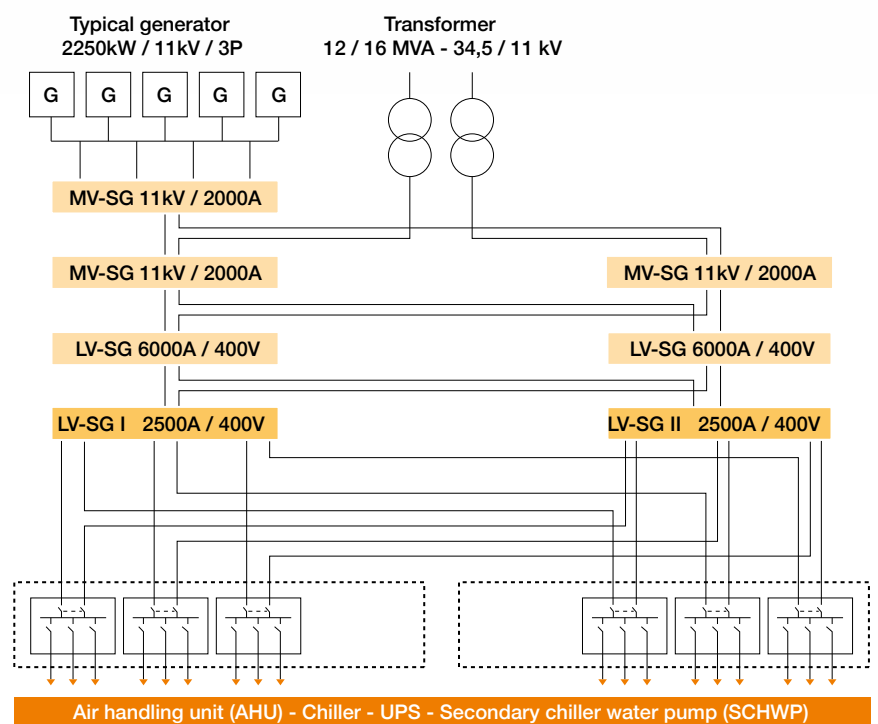


Use in critical applications

The most typical application for change-over switches is utility and stand-by generating set applications where change-over switches commutate between two sources. Often the back-up power source is a stand-by generator set. These generator sets (Gen-sets) are a fundamental part of many Critical Power applications where a constant and reliable source of electrical energy is required.

Ensuring back-up power

Change-over switches are used to switch from the grid to the back-up in case of a failure in the primary energy source. They are typically dedicated switching devices, consisting of two mechanically interlocked switch-disconnectors and a motor operator for electrical operation. The switching device may also have an integrated automatic control unit, enabling fully automatic operations.



Applications for change-over switches are not always between utility and generating set. They are also used to provide secondary supply for e.g. air handling units, chillers and water pumps.



Manual change-over switches

Open, fast and closed transition from 16 to 3200 Amperes

Introduction to manual change-over switches

General information	10
Product range	11
Type codes and pole configuration table	12

Technical data

OT40...125_C (IEC)	14
OT160...800_C (IEC)	15
OT1000...3200_C (IEC)	16
OT200...800U_C (UL/CSA)	17

Ordering information

Open transition, OT40...125_C	18
Open transition, OT160...800_C	20
Open transition, OT1000...3200_C	23
Fast transition, OT160...OT800_CFP	25
Closed transition, OT160...OT800_CLP	26
Open transition, UL/CSA, OT200...800U_CP	27

Dimension drawings

Modular frame change-over switches	28
Back to back frame change-over switches	29
UL/CSA change-over switches	32

Ordering information for optional accessories

Handle knobs	34
External handles	35
Extended shafts	38
Terminal shrouds	39
Phase barriers	40
Terminal clamps	41
Bridging- and reversing bars	42
Fourth poles	42
Auxiliary contacts	44

ABB's manual change-over switches provide high performance in a compact package, even in the most heavy duty applications.

Manual change-over switches

The growing importance of a secure power supply

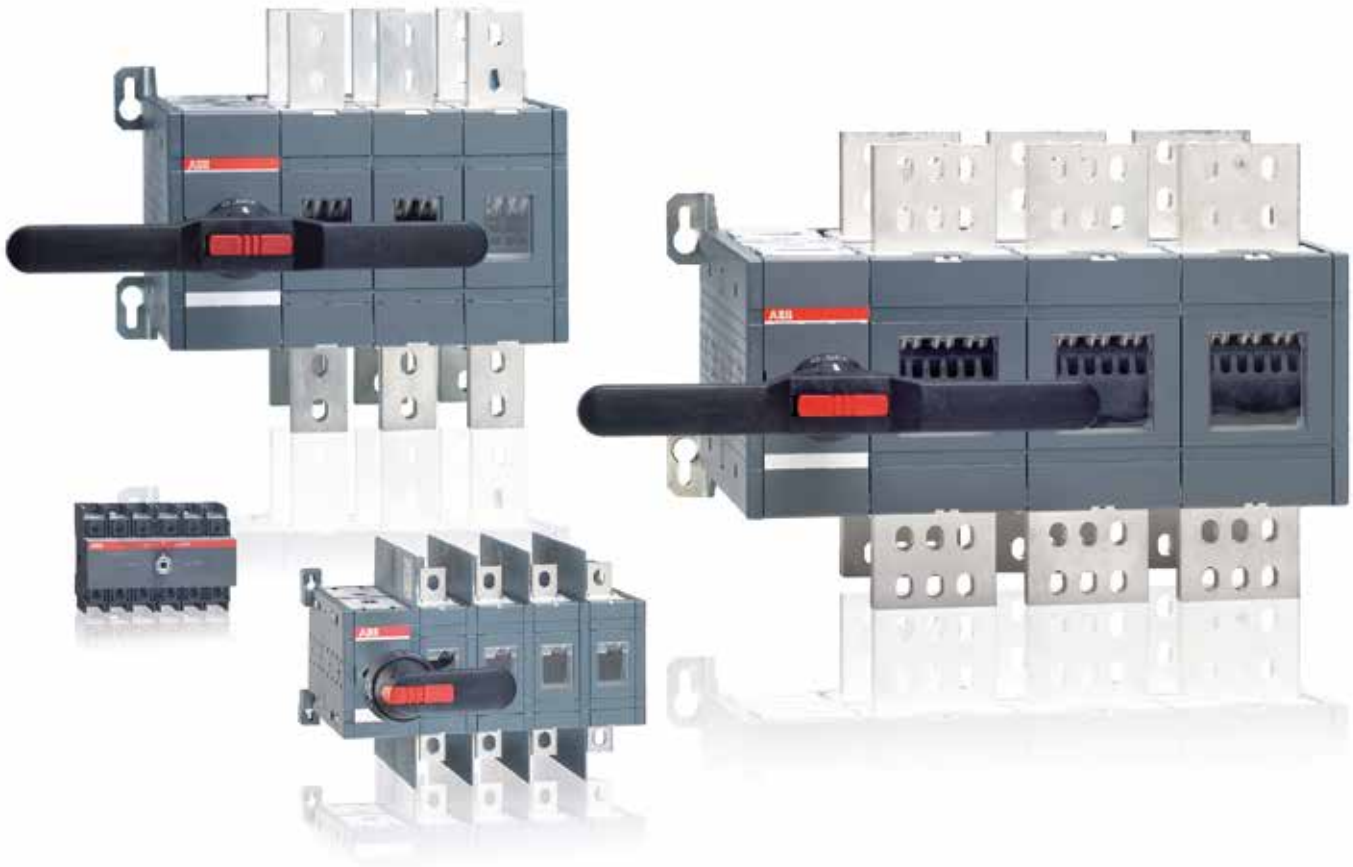


ABB offers a wide variety of manual change-over switches, from 16 to 3200 Amperes in range. Manual change-over switches are available with three different transition types; Open, fast or closed.



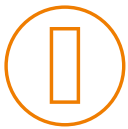
Heavy duty performance

Change-over switches by ABB are extremely well suited for heavy duty applications. They are equipped with CTI (comparative tracking index) of over 600 V, making them great for use in tropical environments.



Modular and flexible

The modular and flexible construction, which can even include an adjustable periscopic shaft, allows for different arrangements of the poles and handle, providing you with the opportunity to create unique space saving solutions for your customers.



Real one pole construction

Our switches come with a real one pole construction in even higher ratings (one line per power line), creating savings in terms of energy consumption by reducing power loss. A single terminal per pole across the entire range also eliminates the need to use additional fixing sets to do connections.



UL/CSA certified performance

To complement our wide range of manual change-over switches, we also offer open transition manual change-over switches designed according to UL/CSA certification standards in a power range from 160 to 800 Amperes.

Manual change-over switches

From 16 to 3200 Amperes



Manual operation, change-over switches 16-125A

Types	OT16F_C			OT63F_C		OT100F_C	
	OT25F_C			OT80F_C		OT125F_C	
	OT40F_C						
I_{th} /A	25	32	40	63	80	115	125
I _p /AC-22A, < 415V	16	25	40	63	80	100	125
I _p /AC-23A, < 415V	16	20	23	45	75	80	90



Manual operation, change-over switches 160-800A

Types	OT160E_C			OT160E_W_C			OT315E_C		OT630E_C	
	OT200E_C			OT200E_W_C			OT400E_C		OT800E_C	
	OT250E_C			OT250E_W_C						
I_{th} /A	160	200	250	160	200	250	315	400	630	800
I _p /AC-22A, < 415V	160	200	250	160	200	250	315	400	630	800
I _p /AC-23A, < 415V	160	200	250	160	200	250	315	400	630	800
I _p /AC-31B, < 415V	160	200	250	160	200	250	315	400	630	800



Manual operation, change-over switches 1000-3200A

Types	OT1000E_C		OT1600E_C		OT2000E_C		OT3200E_C	
	OT1250E_C				OT2500E_C			
I_{th} /A	1000	1250	1600		2000	2500	3200	
I _p /AC-22A, < 415V	1000	1250	1600					
I _p /AC-23A, < 415V	1000	1250	1250					
I _p /AC-21B, < 415V					2000	2500	3200	
I _p /AC-31B, < 415V	1000	1250	1600		2000	2000		



UL/CSA manual change-over switches, 160-800 A

Types	OT16F_C	OT25_C	OT40F_C	OT63F_C	OT80F_C	OT200U_CP	OT400U_CP	OT600U_CP	OT800U_CP
Current, general use	16	25	40	63	80	200	400	600	800
UL508i	16	25	40	63	80				
UL98, 600 V						200	400	600	800
I _p /AC-22-23A, < 415V						250	400	800	800

Manual change-over switches

Type codes and pole configuration table

Type codes

Understanding the type code keys below will help you quickly identify the correct product for your needs. The simple naming system allows you to see the products type, Ampere rating, standard classification and number of poles, all in one glance.

Explanation of the types OT16..125_C

Option:	OT40	F	3	C
Position:	1	2	3	4

1	Brand and Switch size / Ampere rating
2	IEC
3	Number of the poles 3: 3-poles 4: 4-poles
4	Change over switch C: I-0-II -operation

Explanation of the types OT160...3200_C

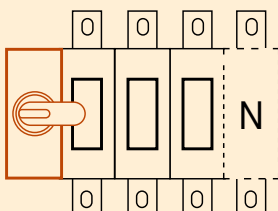
Option:	OT250	E	03	C	-	P
Position:	1	2	3	4	5	6

1	Brand and Switch size / Ampere rating
2	Standard E: IEC U: UL
3	Number of the poles 03: 12 04: 13 22: 33
4	Change-over switch
5	Operation type Standard change-over switch I-0-II L: Closed transition change-over switch I-I+II-II F: Fast transition change-over switch I-0-II
6	Included handle _(blank): Handle + shaft not included P: Pistol handle + shaft K: Direct mounted handle

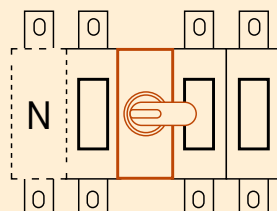
Pole configuration table

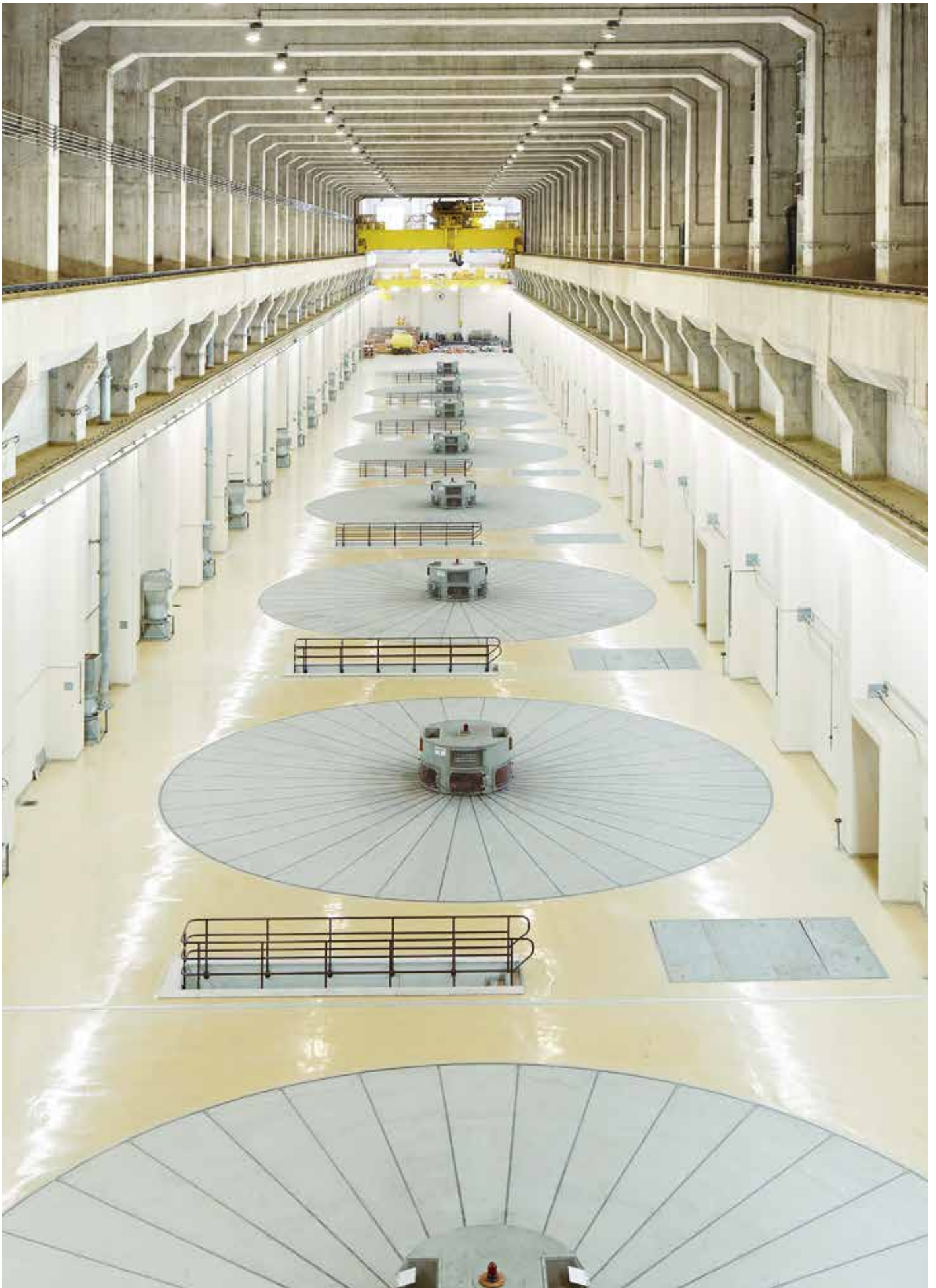
The various placing options of the operating mechanism in relation to the 3 or 4 poles is illustrated below. The operating mechanism may be placed at the end of the switch or between poles.

Configuration 04:



Configuration 22:





Manual change-over switches

Technical data for OT40...125_C

Manual change-over switches

Data according to IEC 60947-3				Switch size						
				OT16_	OT25_	OT40_	OT63_	OT80_	OT100_	OT125_
Rated insulation voltage and rated operational voltage AC20/DC20		Pollution degree 3	V	750	750	750	750	750	750	750
Dielectric strength		50 Hz 1min.	kV	6	6	6	6	6	6	6
Rated impulse withstand voltage			kV	8	8	8	8	8	8	8
Rated thermal current and rated operational current AC20/DC20	/ ambient 40°C	In open air	A	25	32	40	63	80	115	125
	/ ambient 40°C	In enclosure	A	25	32	40	63	80	115	125
	/ ambient 60°C	In enclosure	A	20	25	32	50	63	80	100
...with minimum conductor cross section		Cu	mm ²	4	6	10	16	25	35	50
Rated operational current, AC-21A		up to 500 V	A	16	25	40	63	80	100	125
		690 V	A	16	25	40	63	80	100	125
Rated operational current, AC-22A		up to 500 V	A	16	25	40	63	80	100	125
		690 V	A	16	25	40	63	80	100	125
Rated operational current, AC-23A		up to 415 V	A	16	20	23	45	75	80	90
		440 V	A	16	20	23	45	65	65	78
		500 V	A	16	20	23	45	58	60	70
		690 V	A	10	11	12	20	20	40	50
Rated operational current / poles in series, DC-21A		up to 48 V ¹⁾	A	16/1	25/1	32/1	63/1	80/1	100/1	125/1
		110 V	A	16/2	25/2	32/2	63/2	80/2	100/2	125/2
		220 V	A	16/3	25/3	32/3	63/4	63/4	100/4	100/4
		440 V	A	16/4	16/4	16/4	16/4	16/4		
		500 V	A	16/4	16/4	16/4	16/4	16/4		
Rated operational current / poles in series, DC-22A		up to 48 V ¹⁾	A	16/1	25/1	32/1	63/1	80/1	100/1	125/1
		110 V	A	16/2	25/2	32/2	63/2	80/2	100/2	125/2
		220 V	A	16/3	25/3	32/4	45/4	45/4	63/4	80/4
		440 V	A	10/4	10/4	10/4	10/4	10/4		
Rated operational current / poles in series, DC-23A		up to 48 V ¹⁾	A	16/1	25/1	32/1	63/1	80/1	100/1	125/1
		110 V	A	16/2	25/2	32/2	63/2	80/2	100/2	125/2
		220 V	A	16/4	25/4	32/4	45/4	45/4	63/4	63/4
		440 V	A	10/4	10/4	10/4	10/4	10/4		
Rated operational power, AC-23A ²⁾ The kW-ratings are accurate for 3-phase 1500 R.P.M. standard asynchronous motors		230 V	kW	3	4	5,5	11	22	22	22
		400 V	kW	7.5	9	11	22	37	37	45
		415 V	kW	7.5	9	11	22	37	37	45
		500 V	kW	7.5	9	11	22	37	37	45
		690 V	kW	7.5	9	11	15	18.5	37	45
Rated breaking capacity in category AC-23		up to 415 V	A	128	160	184	360	640	640	720
		500 V	A	128	160	184	360	464	480	560
		690 V	A	80	88	96	160	160	320	400
Rated conditional short-circuit current I_p (r.m.s.) and corresponding max. allowed cut-off current \hat{I}_c (peak) value. The cut-off current \hat{I}_c refers to values listed by fuse manufacturers (single phase test acc. to IEC60269).	I_p (r.m.s.) 50 kA, 415 V	\hat{I}_c (peak)	kA	6.5	6.5	6.5	13	13	16.5	16.5
	Max. OFA_fuse size	gG/aM	A/A	40/32	40/32	40/32	100/80	100/80	125/125	125/125
	I_p (r.m.s.) 100 kA, 500 V	\hat{I}_c (peak)	kA				17	17		
	Max. OFA_fuse size	gG/aM	A			100/80	100/80			
Rated short-time withstand current	I_{sc} (r.m.s.)	690 V 1s	kA	0.5	0.5	0.5	1	1.5	2.5	2.5
Rated short-time making capacity ³⁾	I_{cm} (peak)	690 V	kA	0.7	0.7	0.7	1.4	2.1	3.6	3.6
Power loss / pole	With rated current		W	0.3	0.6	1.6	2.8	4.5	4.0	6.3
Mechanical endurance	Number of oper. cycles ⁴⁾		Cycles	10 000	10 000	10 000	10 000	10 000	10 000	10 000
Cable size	Cu-wire size suitable for terminal clamps		mm ²	0.75-10	0.75-10	0.75-10	1.5-35	1.5-35	10-70	10-70
			AWG	18-8	18-8	18-8	14-4	14-4	8-00	8-00
Terminal tightening torque	Counter torque required		Nm	0.8	0.8	0.8	2	2	6	6
Operating torque	Typical for 3-pole switches		Nm	1	1	1	1.2	1.2	2	2
Weight without accessories	3-pole switch		kg	0.25	0.25	0.25	0.64	0.64	0.90	0.90
	4-pole switch		kg	0.31	0.31	0.31	0.70	0.70	1.18	1.18
Data according to UL508 (Listed)										
Current			A	16	25	40	60	80		
Horsepower, 3-phase		200 V	HP	3	7.5	10	15	20		
		208 V	HP	3	7.5	10	15	20		
		240 V	HP	5	7.5	10	15	20		
		480 V	HP	10	15	20	30	40		
		600 V	HP	10	20	25	30	40		

¹⁾ Below 48 V, two poles in parallel up to OT80 are recommended particularly in polluted atmosphere

²⁾ These values are given for guidance and may vary according to the motor manufacturer

³⁾ Short circuit duration >50ms, without fuse protection

⁴⁾ Operating cycle: O - I - O - II - O

Manual change-over switches

Technical data for OT160...800_C

Manual change-over switches

Data according to IEC 60947-3				Switch size						
				OT_160_	OT_200_	OT_250_	OT_315_	OT_400_	OT_630_	OT_800_
Rated insulation voltage and rated operational voltage AC20/DC20		Pollution degree 3	V	1 000	1 000	1 000	1 000	1 000	1 000	1 000
Dielectric strength		50 Hz 1min.	kV	10	10	10	10	10	10	10
Rated impulse withstand voltage			kV	12	12	12	12	12	12	12
Rated thermal current and rated operational current AC20/DC20	/ ambient 40°C	In open air	A	160	200	250	315	400	630	800
..with minimum conductor cross section	/ ambient 40°C	In enclosure	A	160	200	250	315	400	630	800
Rated operational current, AC-21A		Cu	mm ²	70	95	120	185	240	2x185	2x240
		up to 500 V	A	160	200	250	315	400	630	800
		690 V	A	160	200	250	315	400	630	800
Rated operational current, AC-22A		up to 500 V	A	160	200	250	315	400	630	800
		690 V	A	160	200	250	315	400	630	800
Rated operational current, AC-23A		up to 415 V	A	160	200	250	315	400	630	800
		440 V	A	160	200	250	315	400	630	800
		500 V	A	160	200	250	315	400	630	800
		690 V	A	160	200	250	315	400	630	800
Rated operational current / poles in series, DC-21A ¹⁾		≤ 110 V	A	160/2	200/2	250/2	315/1 ¹⁾	400/1 ¹⁾	630/1	800/1
		220 V	A	160/2	200/2	250/2	315/2 ¹⁾	400/2 ¹⁾	630/1	800/1
		440 V	A	160/3	200/3	230/3	315/3	360/3	630/2	720/2
		660 V	A	160/4	200/4	200/4	315/4	315/4	630/4 ¹⁾	630/4 ¹⁾
Rated operational power, AC-23A ²⁾		230 V	kW	45	60	75	100	132	200	250
The kW-ratings are accurate for 3-phase 1500 R.P.M. standard asynchronous motors		400 V	kW	90	110	140	160	220	355	450
		415 V	kW	90	110	145	180	230	355	450
		500 V	kW	110	132	170	220	280	400	560
		690 V	kW	160	200	250	315	400	630	800
Rated breaking capacity in category AC-23		up to 415 V	A	1 280	1 600	2 000	2 520	3 200	5 040	6 400
		500 V	A	1 280	1 600	2 000	2 520	3 200	5 040	6 400
		690 V	A	1 280	1 600	2 000	2 520	3 200	5 040	6 400
Rated conditional short-circuit current I _p (r.m.s.) and cut-off current I _c (peak) value. The cut-off current I _c refers to values listed by fuse manufacturers (single phase test acc. to IEC60269).	I _p (r.m.s.) 80 kA, 415 V Max. OFA_fuse size	I _c (peak) gG/aM	kA A/A	40.5 355/315	40.5 355/315	40.5 355/315	59 500/500	59 500/500	83.5 800/1 000	83.5 800/1 000
	I _p (r.m.s.) 100 kA, 500 V Max. OFA_fuse size	I _c (peak) gG/aM	kA A	40.5 315/315	40.5 315/315	40.5 315/315	61.5 500/450	61.5 500/450	90 800/800	90 800/800
	I _p (r.m.s.) 80 kA, 690 V Max. OFA_fuse size	I _c (peak) gG/aM	kA A	40.5 355/315	40.5 355/315	40.5 355/315	59 500/500	59 500/500	83.5 800/1 000	83.5 800/1 000
Rated short-time withstand current	I _{cw} (r.m.s.)	690 V 0.15s	kA	15	15	15	31	31	38	38
		690 V 0.25s	kA	15	15	15	24	24	36	36
		690 V 1s	kA	8	8	8	15	15	20	20
Rated short-time making capacity ³⁾	I _{cm} (peak) ⁴⁾	690 V	kA	30	30	30	65	65	80	80
Power loss / pole	With rated current		W	2.4	4	6.5	6.5	10	25	40
Mechanical endurance	Number of oper. cycles ⁵⁾		Cycles	8 000	8 000	8 000	8 000	8 000	5 000	5 000
Terminal bolt size	Metric thread diameter x length		mm	M8x25	M8x25	M8x25	M10x30	M10x30	M12x40	M12x40
Terminal tightening torque	Counter torque required		Nm	15-22	15-22	15-22	30-44	30-44	50-75	50-75
Operating torque	3-pole change-over switches		Nm	7	7	7	16	16	27	27
Weight without accessories	Manual change-over switches	3-poles	kg	2.5	2.5	2.5	4.7	4.7	12.8	12.8
		4-poles	kg	3.2	3.2	3.2	5.8	5.8	15.6	15.6
Data according to IEC 60947-6-1										
Class of equipment				PC	PC	PC	PC	PC	PC	PC
Rated short-time withstand current	I _{cw} (r.m.s.)	690 V 0.1s	kA	15	15	15	25	25	38	38
Rated operational current, AC-31B		up to 415 V	A	160	200	250	315	400	630	800
Rated operational current, AC-33B		up to 415 V	A	160	200	250	315	400	630	800

¹⁾ Utilization category B

²⁾ These values are given for guidance and may vary acc. to the motor manufacturer

³⁾ Short circuit duration > 50ms, without fuse protection

⁴⁾ Max. distance from switch frame to nearest busbar / cable support 150 mm

⁵⁾ Operating cycle: O - I - O - II - O

⁶⁾ Further ratings on request

1 000 V ratings on request

Manual change-over switches

Technical data for OT1000...3200_C

Manual change-over switches

Data according to IEC 60947-3				Switch size , OT_					
				OT_1000_	OT_1250_	OT_1600_	OT_2000_	OT_2500_	OT_3200_
Rated insulation voltage and rated operational voltage AC20/DC20		Pollution degree 3	V	1 000	1 000	1 000	1 000	1 000	1 000
Dielectric strength		50 Hz 1min.	kV	10	10	10	10	10	10
Rated impulse withstand voltage			kV	12	12	12	12	12	12
Rated thermal current and rated operational current AC20/DC20	/ ambient 40°C	In open air	A	1 000	1 250	1 600	2 000	2 500	3 200
...with minimum conductor cross section	/ ambient 40°C	In enclosure	A						
Rated operational current, AC-21A		Cu	mm ²	2x300	2x400	2x500	3x500	4x500	4x1000
Rated operational current, AC-22A		up to 500 V	A	1 000	1 250	1 600	2 000 ¹⁾	2 500 ¹⁾	3 200 ¹⁾
Rated operational current, AC-23A		690 V	A	1 000	1 250	1 600			
Rated operational current, AC-23A		up to 500 V	A	1 000	1 250	1 600			
		690 V	A	1 000	1 250	1 600			
Rated operational power, AC-23A ¹⁾		up to 415 V	A	1 000	1 250	1 250			
The kW-ratings are accurate for 3-phase 1500 R.P.M. standard asynchronous motors		440 V	A	1 000	1 250	1 250			
		500 V	A	1 000	1 250	1 250			
		690 V	A	1 000	1 250	1 250			
Rated breaking capacity in category AC-23		230 V	kW	315	400	400			
		400 V	kW	560	710	710			
		415 V	kW	560	710	710			
		500 V	kW	710	900	900			
		690 V	kW	1 000	1 200	1 200			
Rated conditional short-circuit current I _p (r.m.s.) and cut-off current I _c (peak) value. The cut-off current I _c refers to values listed by fuse manufacturers (single phase test acc. to IEC60269).	I _p (r.m.s.) 80 kA, 415 V Max. OFA_ fuse size	I _c (peak)	kA	100	100	100			
	I _p (r.m.s.) 100 kA, 500 V Max. OFA_ fuse size	I _c (peak)	kA	106	106	106			
Rated short-time withstand current	I _{sw} (r.m.s.)	690 V 0.15s	kA	50	50	50	50	50	
		690 V 0.25s	kA	50	50	50	50	50	
		690 V 1s	kA	50	50	50	55	55	65
Rated short-time making capacity ²⁾	I _{cm} (peak) ³⁾	690 V	kA	92	92	92	110	110	143
Power loss / pole	With rated current		W	19	29	48	55	85	95
Mechanical endurance	Number of oper. cycles ⁴⁾		Cycles	3 000	3 000	3 000	2 000	2 000	400
Terminal bolt size	Metric thread diameter x length		mm	M12x60	M12x60	M12x60	M12x60	M12x60	M12x100
Terminal tightening torque	Counter torque required		Nm	50-75	50-75	50-75	50-75	50-75	50-75
Operating torque	3-pole change-over switches		Nm	78	78	78	78	78	80
Weight without accessories	Manual change-over switches	3-poles	kg	32.3	32.3	34.8	48	48	57
		4-poles	kg	40.2	40.2	43.3	60	60	72
Data according to IEC 60947-6-1									
Class of equipment				PC	PC	PC	PC	PC	
Rated short-time withstand current	I _{sw} (r.m.s.)	690 V 0.1s	kA	50	50	50	50	50	
Rated operational current, AC-31B		up to 415 V	A	1 000	1 250	1 600	2 000	2 000	
Rated operational current, AC-33B		up to 415 V	A	1 000	1 000	1 000			

¹⁾ These values are given for guidance and may vary acc. to the motor manufacturer

²⁾ Short circuit duration > 50ms, without fuse protection

³⁾ Max. distance from switch frame to nearest busbar / cable support 150 mm

⁴⁾ Operating cycle: O - I - O - II - O

⁵⁾ Category AC-21B, up to 415V

1 000 V ratings on request

Manual change-over switches

Technical data for UL/CSA switches OT200...800U_C

UL/CSA manual change-over switches

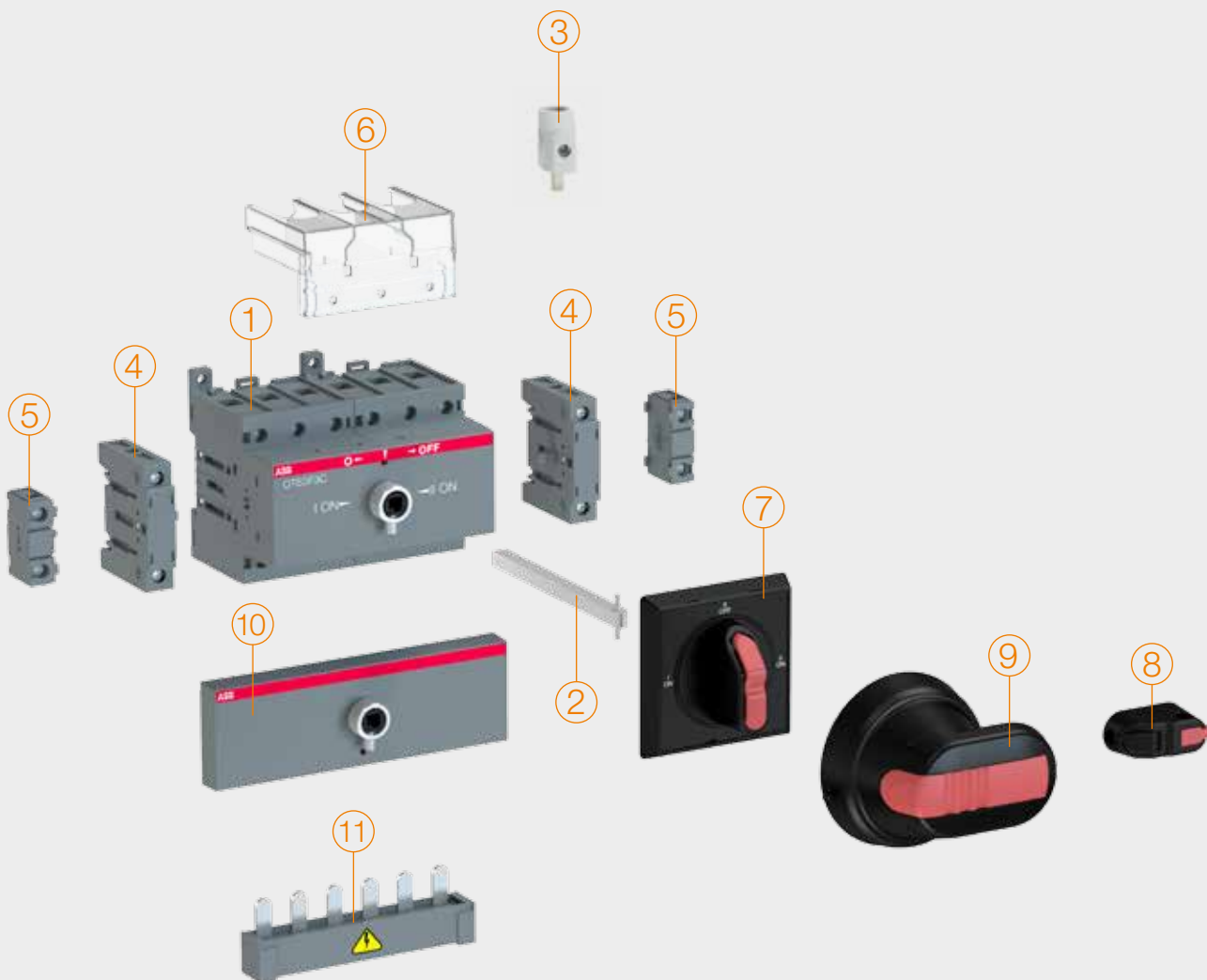
Data according to UL and CSA				Switch size			
				OT200U_	OT400U_	OT600U_	OT800U_
Standards				UL98 CSA 22.2#4	UL98 CSA 22.2#4	UL98 CSA 22.2#4	UL98 CSA 22.2#4
General use ratings, 1- or 3-phase ratings			V A	600 200	600 400	600 600	600 800
Horsepower, 3-phase ratings		240V 480V 600V	HP HP HP	75 150 200	125 250 350	200 450 500	250 500 500
Short-circuit ratings	Required protection	Circuit breaker Class J/L fuse ... fuse size Class RK5 fuse ... fuse size	kA kA A kA A	14 65/100 400/200	25 100 600	35 100 800 100 600	42 100 800
Data according to IEC 60947-3							
Rated insulation voltage and rated operational voltage AC20/DC20	Pollution degree 3		V	1 000	1 000	1 000	1 000
Dielectric strength	50 Hz 1min.		kV	10	10	10	10
Rated impulse withstand voltage			kV	12	12	12	12
Rated thermal current and rated operational current AC20/DC20	/ ambient 40°C	In open air	A	250	400	800	1600
...with minimum conductor cross section		Cu	mm ²	120	240	2x240	2x500
Rated operational current, AC-21A		up to 690 V	A	250	400	800	1 600
Rated operational current, AC-22A		up to 500 V 690 V	A A	250 250	400 400	800 800	1 600 1 600
Rated operational current, AC-23A		up to 500 V 690 V	A A	250 250	400 400	800 800	1 250 1 250
Rated conditional short-circuit current I_p (r.m.s.) and corresponding max. allowed cut-off current \hat{i}_c peak value ¹⁾	I_p (r.m.s.) : 100 kA, 500 V Max. OFA_ fuse size	\hat{i}_c (peak) gG/aM	kA A	40.5 315/315	61.5 500/450	90 800/800	106 1 250/1 250
	I_p (r.m.s.) : 80 kA, 690 V Max. OFA_ fuse size	\hat{i}_c (peak) gG/aM	kA A	40.5 355/315	59 500/500	83,5 800/1 000	
Rated short-time withstand current	I_{cw} (r.m.s.)	690V, 1s	kA	8	15	20	50
Rated short-circuit making capacity	I_{cm} (peak)	690V	kA	30	65	80	92
Mechanical endurance	Number of operating cycles ²⁾		Cycles	8 000	8 000	5 000	3 000
Terminal bolt size	Metric thread diameter x length		mm	M8x25	M10x30	M12x40	M12x60
Terminal tightening torque	Counter torque required		Nm	15...22	30...44	50...75	50...75
Operating torque	3-pole switches		Nm	7	16	27	78
Weight without accessories	3-pole switch 4-pole switch		kg	2,8 3,5	5,0 6,1	13,1 15,9	34,8 43,3
Data according to IEC 60947-6-1							
Class of equipment				PC	PC	PC	PC
Rated short-time withstand current	I_{cw} (r.m.s.)	690 V 0.1s		15	25	38	50
Rated operational current, AC-31B		up to 415 V	A	250	400	800	1 600
Rated operational current, AC-33B		up to 415 V	A	250	400	800	1 000

¹⁾ The fuse in single-phase test according to IEC 60269

²⁾ Operating cycle: O - I - O - II - O

Manual change-over switches

Ordering information for OT16...OT125_C



Manual change-over switch accessory guide

- | | |
|------------------------------|--|
| 1. Manual change-over switch | 7. Selector handle handle, black or red/yellow |
| 2. Extended shaft | 8. Direct angle knob |
| 3. Terminal clamp | 9. Pistol handle, black or red/yellow |
| 4. Fourth pole | 10. Conversion kit |
| 5. Auxiliary contact | 11. Parallel connection kit |
| 6. Terminal shroud | |

Please note that listed accessories are not automatically included in your order.
See next page for recommendations.

Manual change-over switches

Ordering information for OT16...OT125_C



OT16...40F3C



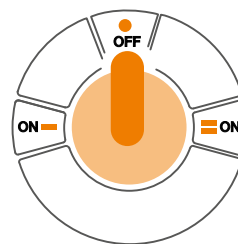
OT63...80F3C



OT100...125F3C

Open transition

Simple I-O-II –operation where the handle is padlockable in O-position and door interlock available in the I- and II-positions (and when padlocked).
Din-rail or base mounting.



Manual change-over switches, open transition, OT16...OT125_C

Handle and shaft not included. See recommended accessories.

No. of poles	Rated current and power			Type	Order number	Weight/unit [kg]
	AC-21A/AC-22A		AC-23A			
	< 415V I[A]	400V S[kVA]	400...415V I[A]/P[kW]			
3	16	11	16/7.5	OT16F3C	1SCA104816R1001	0.25
4	16	11	16/7.5	OT16F4C	1SCA104831R1001	0.31
3	25	17	20/9	OT25F3C	1SCA104863R1001	0.25
4	25	17	20/9	OT25F4C	1SCA104877R1001	0.31
3	40	27	23/11	OT40F3C	1SCA104913R1001	0.25
4	40	27	23/11	OT40F4C	1SCA104934R1001	0.31
3	63	43	45/22	OT63F3C	1SCA105338R1001	0.64
4	63	43	45/22	OT63F4C	1SCA105369R1001	0.70
3	80	55	75/37	OT80F3C	1SCA105402R1001	0.64
4	80	55	75/37	OT80F4C	1SCA105418R1001	0.70
3	100	70	80/37	OT100F3C	1SCA105008R1001	0.90
4	100	70	80/37	OT100F4C	1SCA105019R1001	1.18
3	125	86	90/45	OT125F3C	1SCA105037R1001	0.90
4	125	86	90/45	OT125F4C	1SCA105054R1001	1.18

Direct operation:



OHBS3



OHBS9

External operation:



OHBS2AJE011



OHB45J6E311

Cable cross section of the change-over switches

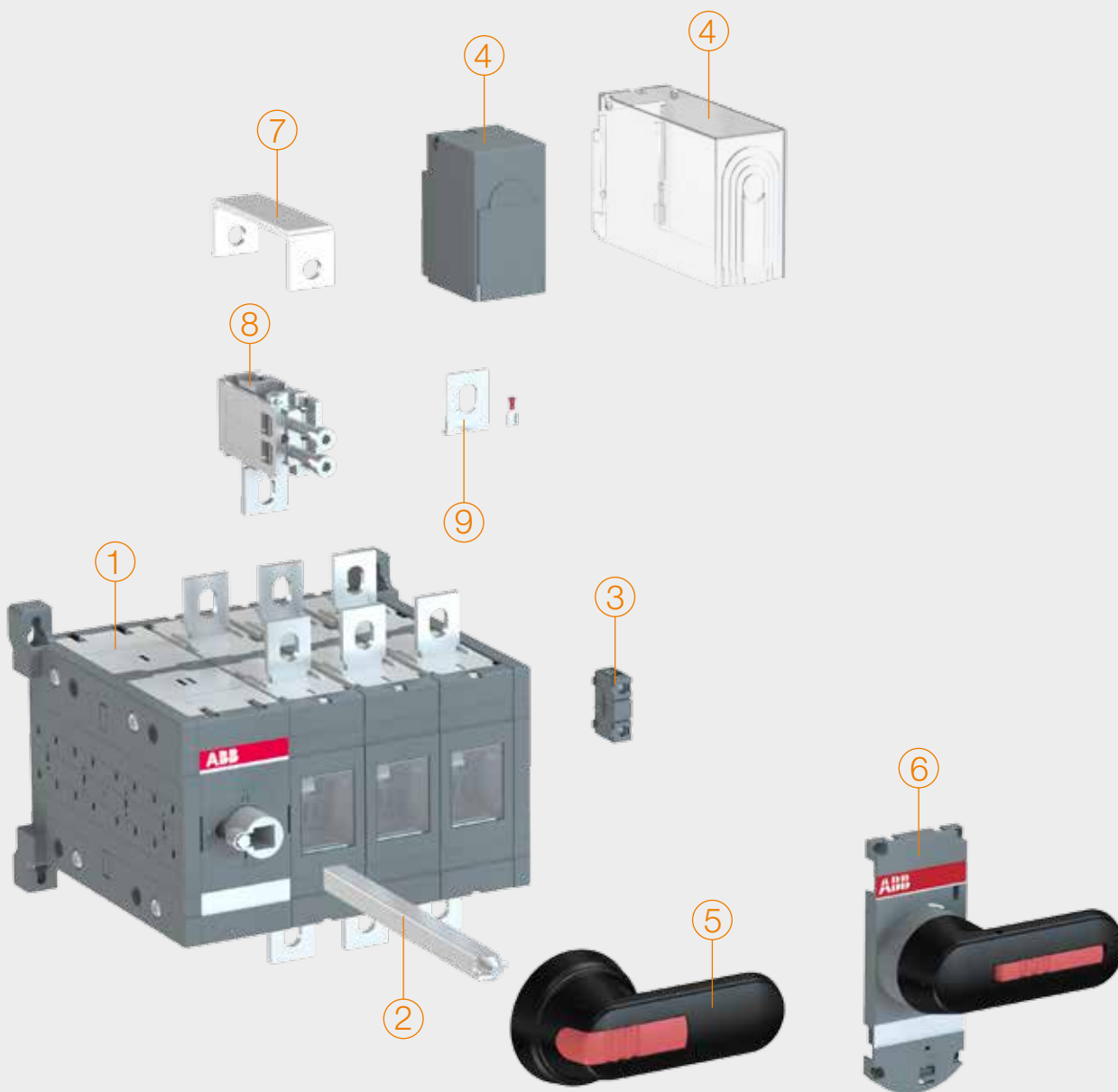
Suitable for switches	Cable cross section [mm ²]
OT16...40F_C	0.75 ... 10
OT63...80F_C	1.5 ... 35
OT100...125F_C	10 ... 70

Recommended accessories: Handles and shafts

Suitable for switches	Operating type	Handle type	Order number	Shaft type	Order number
OT16...40F_C	Direct operation	OHBS3	1SCA108320R1001	–	–
OT63...125F_C	Direct operation	OHBS9	1SCA108665R1001	–	–
OT16...125F_C	Selector handle (external)	OHBS2AJE011	1SCA105220R1001	OXS6X120	1SCA101654R1001
OT16...125F_C	Pistol handle (external)	OHB45J6E311	1SCA022817R2130	OMP6X170	1SCA108224R1001

Manual change-over switches

Ordering information for OT160...OT800_CP



Manual change-over switch accessory guide

- | | |
|------------------------------|------------------------------|
| 1. Manual change-over switch | 6. Direct mount handle* |
| 2. Extended shaft | 7. Bridging bar |
| 3. Auxiliary contact | 8. Terminal clamp |
| 4. Terminal shroud | 9. Voltage sensing connector |
| 5. Pistol handle | |

Please note that not all listed accessories are automatically included in your order. See next page for recommendations.

Manual change-over switches

Ordering information for OT160...OT250_CP



OT160...250E03CP



OT160...250E03WCP



OT160...250E04CP



OT160...250E04WCP



OT160...250E33CP



OT160...250E33WCP



OXP6X150_161



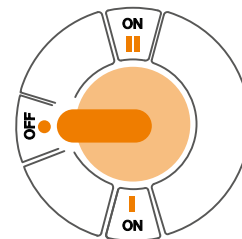
OHB65J6E011



OTZC13

Open transition

Simple I-O-II –operation where the handle is padlockable in O-position and door interlock available in the I- and II-positions (and when padlocked).



Manual change-over switches, open transition, OT160...OT250_CP

Delivered with a black plastic IP65 I-O-II pistol handle (see the table below), shaft and bolt set for the cable connection. 1000V versions available on request.

No. of poles	Rated current and power			Type	Order number	Weight/ unit [kg]
	AC-21A/AC-22A ≤ 415V I[A]	400V S[kVA]	AC-23A 400...415V I[A]/P[kW]			
Types -W: with wide phase distance.						
3	160	110	160/90	OT160E03CP	1SCA022772R6510	3.3
3	160	110	160/90	OT160E03WCP	1SCA022772R8210	3.6
4	160	110	160/90	OT160E04CP	1SCA022775R9440	4.1
4	160	110	160/90	OT160E04WCP	1SCA022775R0220	4.4
3	200	135	200/110	OT200E03CP	1SCA022771R7520	3.3
3	200	135	200/110	OT200E03WCP	1SCA022772R8720	3.6
4	200	135	200/110	OT200E04CP	1SCA022771R7280	4.1
4	200	135	200/110	OT200E04WCP	1SCA022775R0650	4.4
3	250	170	250/140	OT250E03CP	1SCA022771R3450	3.3
3	250	170	250/140	OT250E03WCP	1SCA022772R8300	3.6
4	250	170	250/140	OT250E04CP	1SCA022775R4640	4.1
4	250	170	250/140	OT250E04WCP	1SCA022775R0810	4.4
4	250	170	250/140	OT250E13CP	1SCA022777R0330	4.1
6	250	170	250/140	OT250E33CP	1SCA118551R1001	5.7
6	250	170	250/140	OT250E33WCP	1SCA118608R1001	6.0

Shafts, handle and bolt kits included as standard

Suitable for switches	Shaft	Handle	Bolt kit
OT160...250_C	OXP6x161	OHB65J6E011	M8x25

Recommended accessories: Bridging bars

Bridging bars are an easy and cost-efficient way to make load side connections.

Suitable for switches	No. of poles	Type	Order number	Units/ type pcs	Weight / unit
OT160...250_C	3	OTZC13	1SCA022767R6910	3	0.5
OT160...250_C	4	OTZC14	1SCA022767R7040	4	0.8

Manual change-over switches

Ordering information for OT315...OT800_CP



OT315...400E03CP



OT315...400E13CP



OT315...400E33CP



OT630...800E03CP



OT630...800E04CP



OT630...800E33CP



OXP12X185



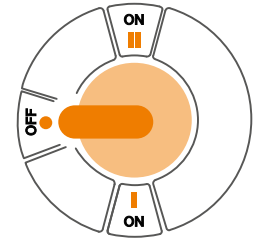
OHB125J12E011



OTZC23

Open transition

Simple I-O-II –operation where the handle is padlockable in O-position and door interlock available in the I- and II-positions (and when padlocked).



Manual change-over switches, open transition, OT315...OT800_CP

Delivered with a black plastic IP65 I-O-II pistol handle (see the table below), shaft and bolt set for the cable connection.

No. of poles	Rated current and power			Type	Order number	Weight/unit [kg]
	AC-21A/AC-22A ≤ 415V I[A]	400V S[kVA]	AC-23A 400...415V I[A]/P[kW]			
Place of mechanism, see the pictures.						
3	315	215	315/160	OT315E03CP	1SCA022772R6780	5.9
3	315	215	315/160	OT315E12CP	1SCA022776R9910	5.9
4	315	215	315/160	OT315E04CP	1SCA022775R7150	7.1
4	315	215	315/160	OT315E13CP	1SCA022777R0410	7.1
6	315	215	315/160	OT315E33CP	1SCA118635R1001	9.5
3	400	275	400/220	OT400E03CP	1SCA022771R8500	5.9
3	400	275	400/220	OT400E12CP	1SCA022776R9590	5.9
4	400	275	400/220	OT400E04CP	1SCA022771R8680	7.1
4	400	275	400/220	OT400E13CP	1SCA022777R0500	7.1
6	400	275	400/220	OT400E33CP	1SCA118629R1001	9.5
3	630	435	630/355	OT630E03CP	1SCA022785R6050	17.7
3	630	435	630/355	OT630E12CP	1SCA022785R8690	17.7
4	630	435	630/355	OT630E04CP	1SCA022785R6130	21
4	630	435	630/355	OT630E13CP	1SCA022785R9070	21
6	630	435	630/355	OT630E33CP	1SCA118652R1001	27.6
3	800	550	800/450	OT800E03CP	1SCA022785R6300	17.7
3	800	550	800/450	OT800E12CP	1SCA022785R8850	17.7
4	800	550	800/450	OT800E04CP	1SCA022785R6210	21
4	800	550	800/450	OT800E13CP	1SCA022785R9230	21
6	800	550	800/450	OT800E33CP	1SCA118649R1001	27.6

1000V versions available on request

Shafts, handle and bolt kits included as standard

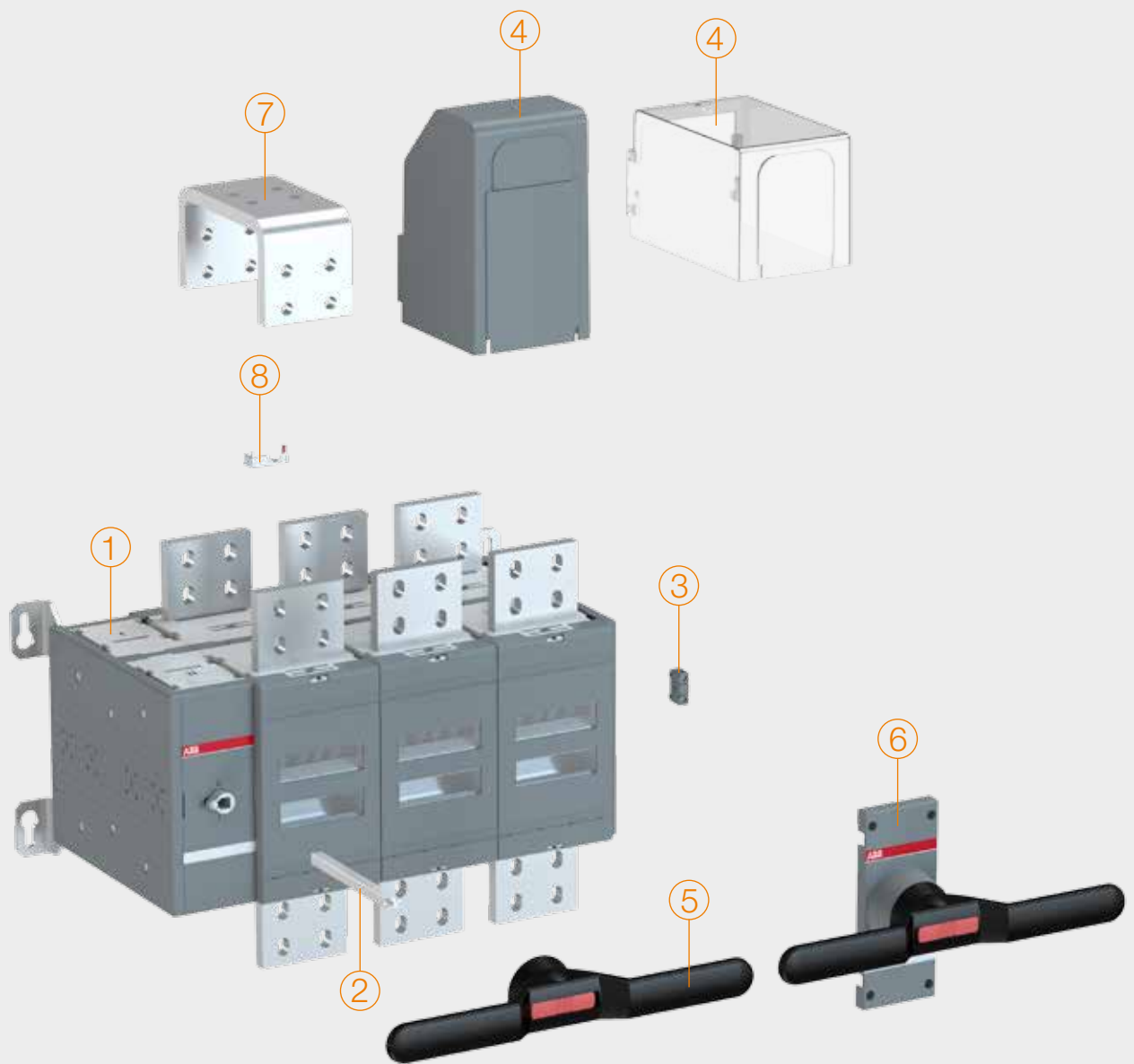
Suitable for switches	Shaft	Handle	Bolt kit
OT315...400_C	OXP12x166	OHB95J12E011	M10x30
OT630...800_C	OXP12x185	OHB125J12E011	M12x40

Recommended accessories: Bridging bars

Suitable for switches	No. of poles	Type	Order number	Units/type [pcs]	Weight/unit [kg]
OT315...400_C	3	OTZC23	1SCA022767R7120	3	0.6
OT315...400_C	4	OTZC24	1SCA022767R7210	4	0.8
OT315...400_C	3	OTZC33	1SCA022767R7020	3	1
OT315...400_C	4	OTZC34	1SCA022767R7110	4	1.3

Manual change-over switches

Ordering information for OT1000...OT3200_CP



Manual change-over switch accessory guide

- | | |
|------------------------------|------------------------------|
| 1. Manual change-over switch | 5. Pistol handle |
| 2. Extended shaft | 6. Direct mount handle* |
| 3. Auxiliary contact | 7. Bridging bar |
| 4. Terminal shroud | 8. Voltage sensing connector |

Please note that not all listed accessories are automatically included in your order. See next page for recommendations.

*) Optional handle types available. Please see Accessories for more details.

Manual change-over switches

Ordering information for OT1000...OT3200_CP



OT1250E03CP



OT1000...1250E22CP



OT1600E03CP



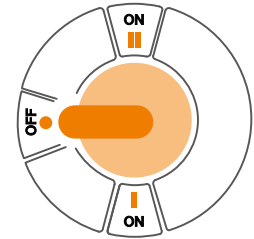
OT2000...2500E03CP



OT3200E03CP

Open transition

Simple I-O-II –operation where the handle is padlockable in O-position and door interlock available in the I- and II-positions (and when padlocked).



Manual change-over switches, open transition, OT1000...OT3200_CP

Delivered with a black plastic IP65 I-O-II pistol handle (see the table below), shaft and bolt set for the cable connection.

No. of poles	Rated current ¹⁾ and power			Type	Order number	Weight/unit [kg]
	AC-21A/AC-22A ≤ 415V I[A]	400V S[kVA]	AC-23A 400...415V I[A]/P[kW]			
Place of mechanism, see the pictures.						
3	1000	680	1000/560	OT1000E03CP	1SCA022872R1680	48
4	1000	680	1000/560	OT1000E04CP	1SCA022872R1500	60
4	1000	680	1000/560	OT1000E22CP	1SCA103289R1001	60
3	1250	850	1250/710	OT1250E03CP	1SCA022872R0790	48
4	1250	850	1250/710	OT1250E04CP	1SCA022872R1250	60
4	1250	850	1250/710	OT1250E22CP	1SCA103311R1001	60
3	1600	1000	1250/710	OT1600E03CP	1SCA022872R1840	51
4	1600	1000	1250/710	OT1600E04CP	1SCA022872R2310	63
4	1600	1000	1250/710	OT1600E22CP	1SCA103303R1001	63
3	2000	1350		OT2000E03CP	1SCA103908R1001	70
4	2000	1350		OT2000E04CP	1SCA103912R1001	86
4	2000	1350		OT2000E22CP	1SCA103953R1001	86
3	2500	1700		OT2500E03CP	1SCA105615R1001	70
4	2500	1700		OT2500E04CP	1SCA103906R1001	86
4	2500	1700		OT2500E22CP	1SCA103902R1001	86
3	3200	2170		OT3200E03CP	1SCA129156R1001	79
4	3200	2170		OT3200E04CP	1SCA129158R1001	97
4	3200	2170		OT3200E22CP	1SCA131131R1001	97

¹⁾ OT2000...3200: Category AC-21B
1000V versions available on request



OXP12x185



OHB200J12PE011

Shafts, handle and bolt kits included as standard

Suitable for switches	Shaft	Handle	Bolt kit
OT1000...2500_C	OXP12x185	OHB200J12PE011	M12x60
OT3200_C	OXP12x185	OHB200J12PE011	M12x100

Recommended accessories: Bridging bars

Suitable for switches	No. of poles	Type	Order number	Units/type [pcs]	Weight/unit [kg]
OT1000...1250_C	4	OTZC44	1SCA022868R0800	4	5.6
OT1600_C	4	OTZC54	1SCA022767R1010	4	7.4
OT2000...2500_C	4	OTZC64	1SCA022868R1360	4	14.4
OT_3200E_C	4	OTZC74	1SCA128844R1001	4	18.7



OTZC44

Manual change-over switches

Ordering information for OT160...OT800_CFP



OT160...250E03CFP



OT160...250E03WCFP



OT315...400E13CFP



OT630...800E03CFP



OXP12X185



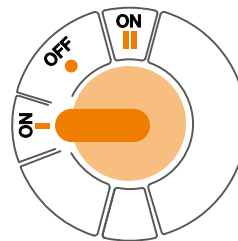
OHB65J6E69



OHB95J12E69

Fast transition

Faster I-O-II –operation with no padlocking opportunity or interlocking. 90° operating angle for fast switching and minimized OFF-time between transfer from I-II or II-I (as low as 20ms).



Manual change-over switches, fast transition, OT160...OT800_CFP

Delivered with a black plastic IP65 I-O-II pistol handle (see the table below), shaft and bolt set for the cable connection. Handle not padlockable and no door interlocking.

No. of poles	Rated current and power			Type	Order number	Weight/unit [kg]
	AC-21A/AC-22A ≤ 415V I[A]	400V S[kVA]	AC-23A 400...415V I[A]/P[kW]			
Place of mechanism, see the pictures. Types -W: with wide phase distance.						
3	160	110	160/90	OT160E03CFP	1SCA106086R1001	3.3
3	160	110	160/90	OT160E03WCFP	1SCA108484R1001	3.6
4	160	110	160/90	OT160E04CFP	1SCA108489R1001	4.1
4	160	110	160/90	OT160E04WCFP	1SCA108492R1001	4.4
3	200	135	200/110	OT200E03CFP	1SCA108520R1001	3.3
3	200	135	200/110	OT200E03WCFP	1SCA107578R1001	3.6
4	200	135	200/110	OT200E04CFP	1SCA108528R1001	4.1
4	200	135	200/110	OT200E04WCFP	1SCA108531R1001	4.4
3	250	170	250/140	OT250E03CFP	1SCA108591R1001	3.3
3	250	170	250/140	OT250E03WCFP	1SCA107577R1001	3.6
4	250	170	250/140	OT250E04CFP	1SCA108600R1001	4.1
4	250	170	250/140	OT250E04WCFP	1SCA108606R1001	4.4
3	315	215	315/160	OT315E03CFP	1SCA108629R1001	5.9
4	315	215	315/160	OT315E04CFP	1SCA114535R1001	7.1
3	400	275	400/220	OT400E03CFP	1SCA106360R1001	5.9
4	400	275	400/220	OT400E04CFP	1SCA108650R1001	7.1
3	630	435	630/355	OT630E03CFP	1SCA106915R1001	17.7
4	630	435	630/355	OT630E04CFP	1SCA108753R1001	21
3	800	550	800/450	OT800E03CFP	1SCA106916R1001	17.7
4	800	550	800/450	OT800E04CFP	1SCA106945R1001	21

Shafts, handle and bolt kits included as standard

Suitable for switches	Shaft	Handle	Bolt kit
OT160...250_CF	OXP6x161	OHB65J6E69	M8x25
OT315...400_CF	OXP12x166	OHB95J12E69	M10x30
OT630...800_CF	OXP12x185	OHB145J12E69	M12x40

Manual change-over switches

Ordering information for OT160...OT800_CLP



OT160...250E03CLP



OT160...250E03WCLP



OT315...400E03CLP



OT630...800E03CLP



OXP12X185



OHB65J6E65



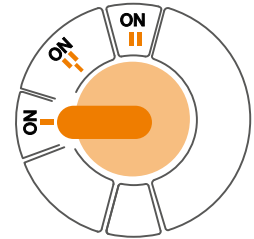
OHB95J12E65



OHB145J12E65

Closed transition

I – I+II – II –operation, or closed transition, means that there is no OFF-position. There is a I+II –position between I and II, in which both switches are closed simultaneously.



Manual change-over switches, closed transition, OT160...OT800_CLP

Delivered with a black plastic IP65 I - I+II - II pistol handle (see the table below), shaft and bolt set for the cable connection.

No. of poles	Rated current and power			Type	Order number	Weight/unit [kg]
	AC-21A/AC-22A ≤ 415V I[A]	400V S[kVA]	AC-23A 400...415V I[A]/P[kW]			
Place of mechanism, see the picture. Types -W: with wide phase distance.						
3	160	110	160/90	OT160E03CLP	1SCA108468R1001	3.3
3	160	110	160/90	OT160E03WCLP	1SCA108486R1001	3.6
4	160	110	160/90	OT160E04CLP	1SCA108491R1001	4.1
4	160	110	160/90	OT160E04WCLP	1SCA108494R1001	4.4
3	200	135	200/110	OT200E03CLP	1SCA108522R1001	3.3
3	200	135	200/110	OT200E03WCLP	1SCA108525R1001	3.6
4	200	135	200/110	OT200E04CLP	1SCA108530R1001	4.1
4	200	135	200/110	OT200E04WCLP	1SCA108532R1001	4.4
3	250	170	250/140	OT250E03CLP	1SCA108593R1001	3.3
3	250	170	250/140	OT250E03WCLP	1SCA107576R1001	3.6
4	250	170	250/140	OT250E04CLP	1SCA108605R1001	4.1
4	250	170	250/140	OT250E04WCLP	1SCA108607R1001	4.4
3	315	215	315/160	OT315E03CLP	1SCA108630R1001	5.9
4	315	215	315/160	OT315E04CLP	1SCA106404R1001	7.1
3	400	275	400/220	OT400E03CLP	1SCA108641R1001	5.9
4	400	275	400/220	OT400E04CLP	1SCA106405R1001	7.1
3	630	435	630/355	OT630E03CLP	1SCA106917R1001	17.7
4	630	435	630/355	OT630E04CLP	1SCA106947R1001	21
3	800	550	800/450	OT800E03CLP	1SCA106928R1001	17.7
4	800	550	800/450	OT800E04CLP	1SCA106952R1001	21

¹⁾ 1000...2500 available on request

Shafts, handles and bolt kits included as standard

Suitable for switches	Shaft	Handle	Bolt kit
OT160...250_CL	OXP6x161	OHB65J6E65	M8x25
OT315...400_CL	OXP12x166	OHB95J12E65	M10x30
OT630...800_CL	OXP12x185	OHB145J12E65	M12x40

Manual change-over switches

Ordering information for UL/CSA switches OT200...800U_CP



OT200U03CP



OT400U04CP



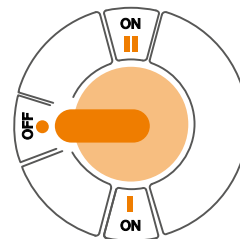
OT600U03CP



OT800U03CP

Open transition

Simple I-O-II –operation where the handle is padlockable in O-position and door interlock available in the I- and II-positions (and when padlocked).



UL/CSA manual change-over switches, open transition, OT200...800U_CP

The change-over switches are delivered with a black handle IP65, Nema type 1, 3R, 12, a shaft and a bolt set for the cable connection and a set of phase separators.

No. of poles	UL98 600V general use [A]	Rated current IEC60947-3 ≤ 690 V AC-21-23A [A]	Rated current IEC60947-6-1 ≤ 415V AC-31B/ AC-33B [A]	Type	Order number	Units/ type [pcs]	Weight/ unit [kg]
3	200	250	250/250	OT200U03CP	1SCA022771R5910	1	3.6
4	200	250	250/250	OT200U04CP	1SCA022771R6210	1	4.4
3	400	400	400/400	OT400U03CP	1SCA022771R2810	1	6.2
4	400	400	400/400	OT400U04CP	1SCA022771R2300	1	8.1
3	600	800	800/800	OT600U03CP	1SCA022785R5320	1	17.9
4	600	800	800/800	OT600U04CP	1SCA022785R5410	1	21
3	800	800	1600/1000	OT800U03CP	1SCA104031R1001	1	51
4	800	800	1600/1000	OT800U04CP	1SCA104036R1001	1	63

Shafts, handles and bolt kits included as standard

The handles are equipped with door interlock function in both I- and II-position and when padlocked. Padlocking possibility in O-position with 3 padlocks, bail dia Ø 5...10 mm. Indication I-O-II. Nema type 1, 3R, 12.

Suitable for switches	Shaft	Handle	Bolt kit
OT200U_	0XP6x161	0HB65J6E011	M8x25
OT400U_	0XP12x166	0HB95J12E011	M10x30
OT600U_	0XP12x185	0HB125J12E011	M12x40
OT800U_	0XP12x185	0HB200J12PE011	M12x60

Manual change-over switches

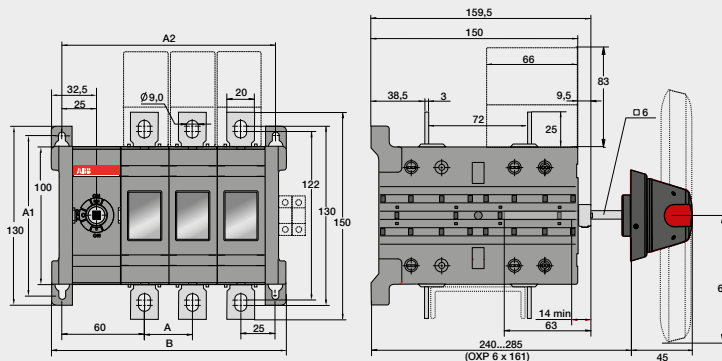
Dimensional drawings

OT160...OT250E03/04C_P

OT160-250_C_

[mm]	E03	E04	E12	E13	E22	E23	E33
A	35	35	35	35	35	35	35
A1	116	116	116	116	116	116	116
A2	155	190	155	190	190	225	260
B	170	205	170	205	205	240	275

C000001 / OT160-250E02-04_C_ C /ES

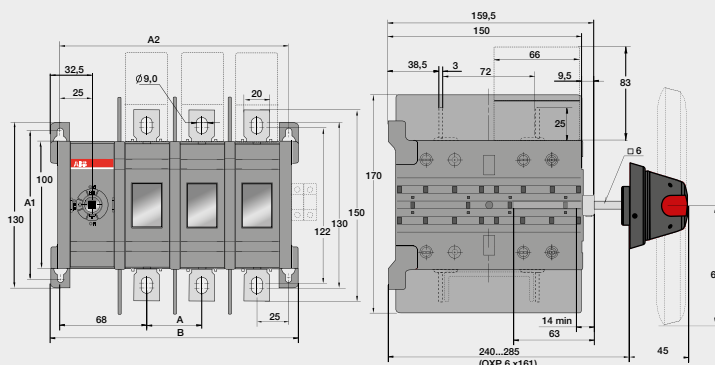


OT160...OT250E03/04WC_P

OT160-250_WC

[mm]	E03	E04
A	43	43
A1	116	116
A2	179	222
B	194	237

C000010 / OT160-250E_WC_ C /ES

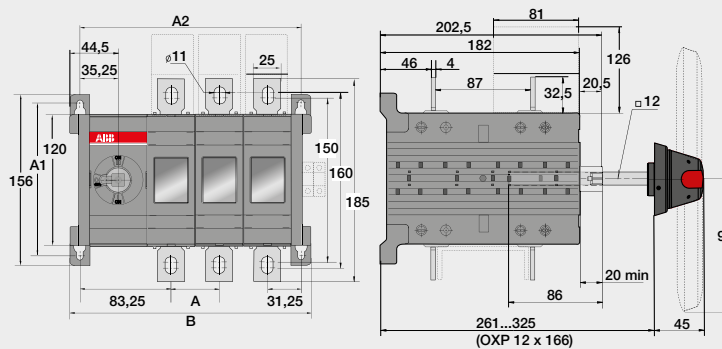


OT315...400E03/04C_P

OT315-400_C

[mm]	E03	E04	E12	E13	E22	E23	E33
A	44	44	44	44	44	44	44
A1	142	142	142	142	142	142	142
A2	202,5	246,5	202,5	246,5	246,5	290,5	334,5
B	221	265	221	265	265	309	353

C000008 / 315-400E02-04_C_ C /ES



Manual change-over switches

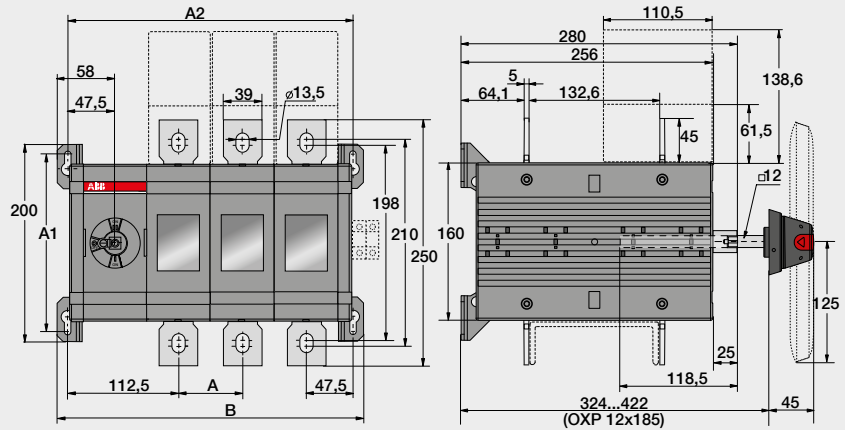
Dimensional drawings

OT630...800E03/04C_P

OT630-800_C_

[mm]	E03	E04	E12	E13	E22	E23	E33
A	65	65	65	65	65	65	65
A1	180	180	180	180	180	180	180
A2	290	355	290	355	355	420	485
B	311	376	311	376	376	441	506

M00088/OT630-800E02-04C_ C /ES

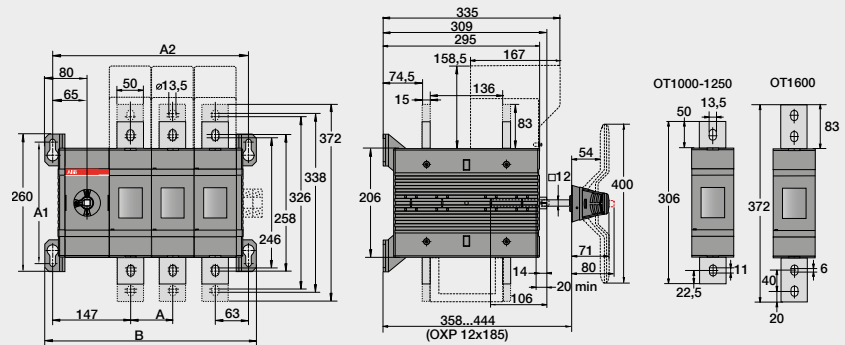


OT1000...1600E03/04CP

OT1000-1600_C_

[mm]	E03	E04	E12	E13	E22
A	80	80	80	80	80
A1	230	230	230	230	230
A2	370	450	370	450	450
B	400	480	400	480	480

M00155/OT1000-1600E_C-1 E /ES

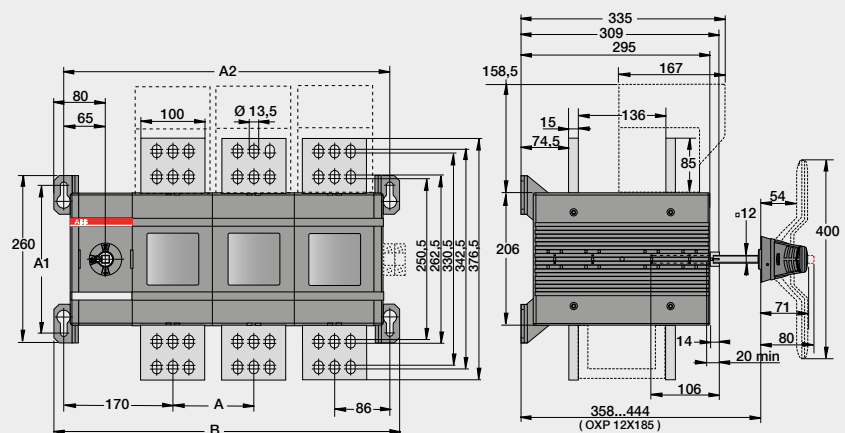


OT2000...2500E03/04CP

OT2000-2500_C_

[mm]	E03	E04	E12	E13	E22
A	126	126	126	126	126
A1	230	230	230	230	230
A2	508	634	508	634	634
B	538	664	538	664	664

M00179/ OT2000-2500E_C_ D /ES



Manual change-over switches

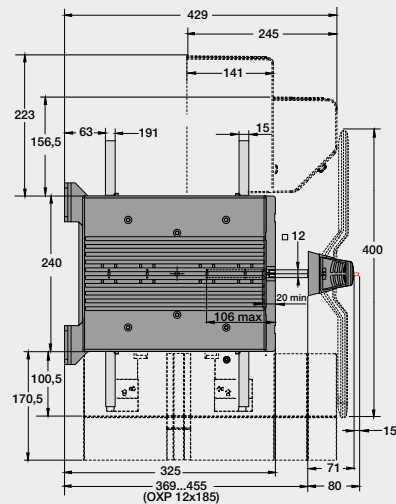
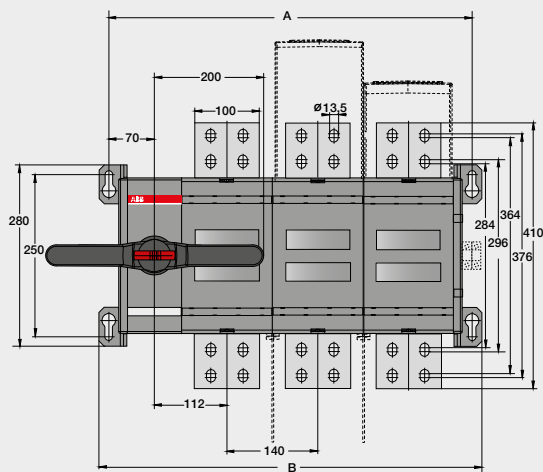
Dimensional drawings

OT3200E02/03/04C_P

OT3200_C

[mm]	E02	E03	E04
A	420	560	700
B	450	590	730

M00435/OT3200E02-04C B

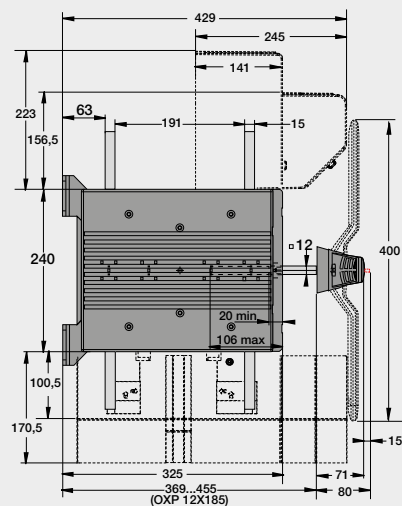
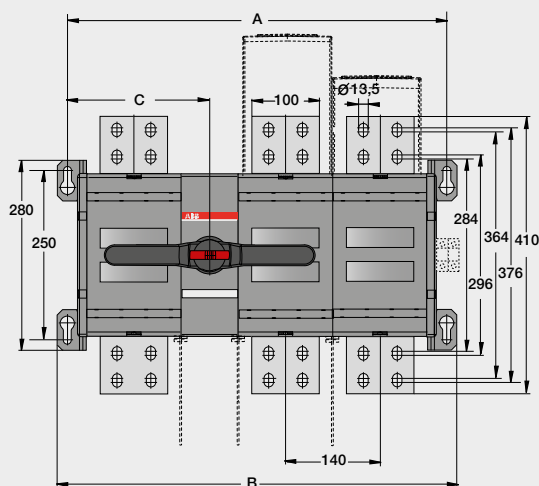


OT3200E12/13/22C_P

OT3200E_C

[mm]	E12	E13	E22
A	560	700	700
B	590	730	730
C	210	210	350

M00436/OT3200E12-22C B



Manual change-over switches

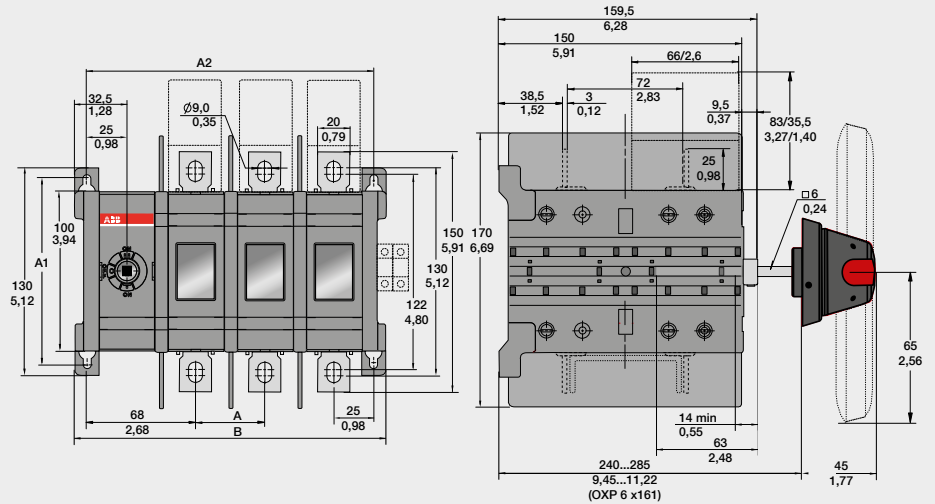
Dimensional drawings for UL/CSA -types

OT200U03/04CP

OT200_C_

[mm/in]	U03	U04
A	43/1,69	43/1,69
A1	116/4,57	116/4,57
A2	179/7,05	222/8,74
B	194/7,64	237/9,33

C000002 / OT200U02-04_C_ C/ES

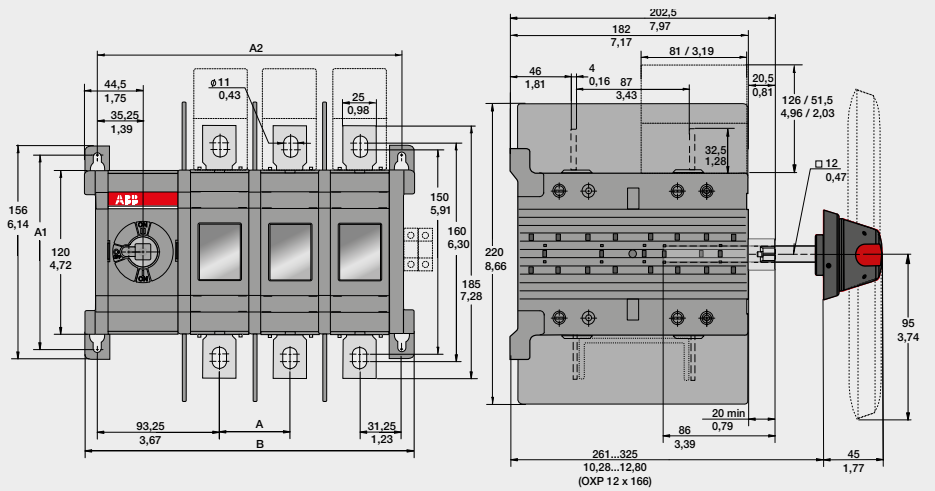


OT400U03/04CP

OT400_C_

[mm/in]	U03	U04
A	54/2,13	54/2,13
A1	142/5,59	142/5,59
A2	232,5/9,15	286,5/11,28
B	251/9,88	305/12,01

C000009 / OT400U02-04_C_ C/ES



Manual change-over switches

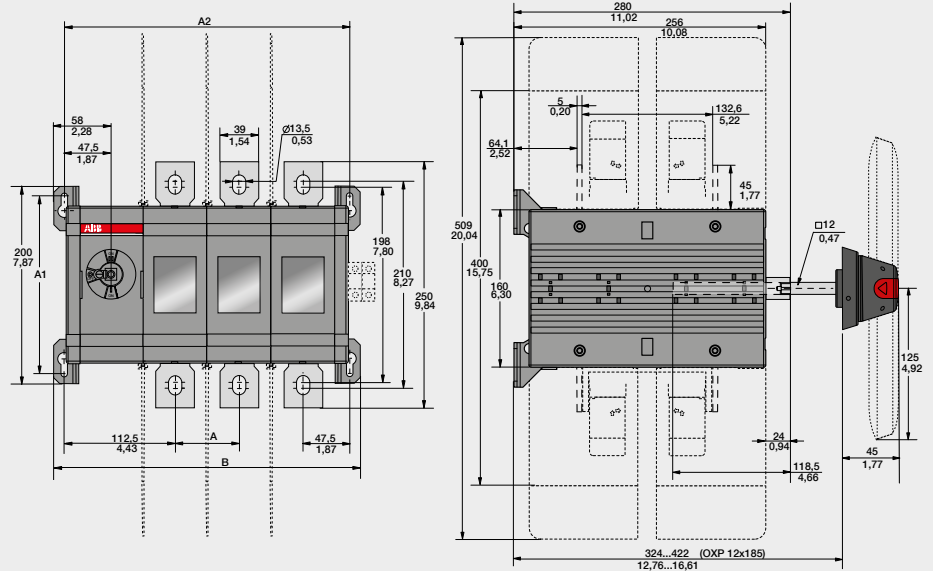
Dimensional drawings for UL/CSA -types

OT600U03/04CP

OT600_C_

[mm/in]	U03	U04
A	65/2,56	65/2,56
A1	180/7,09	180/7,09
A2	290/11,42	355/13,98
B	311/12,24	376/14,80

M00087/OT600U02-04C_ C/ES

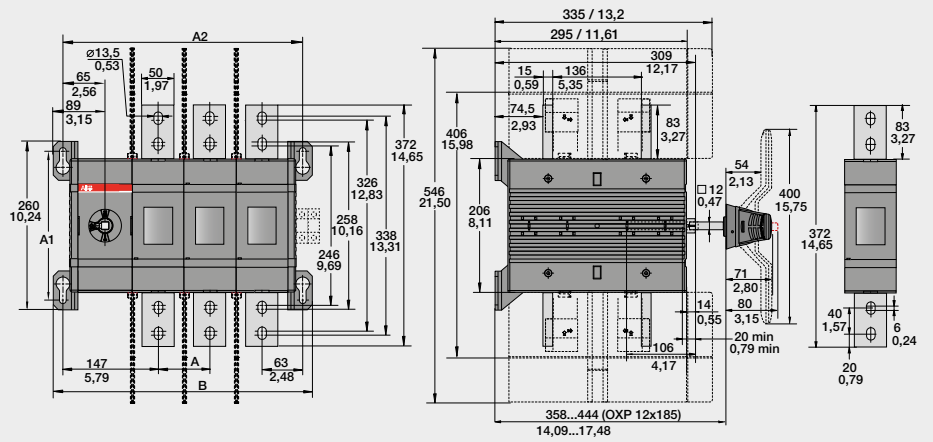


OT800U03/04CP

OT800_C_

[mm/in]	U03	U04
A	80/3,15	80/3,15
A1	230/9,06	230/9,06
A2	370/14,56	450/17,72
B	400/15,75	480/18,90

M00156/OT800-1200U_C-1 C/ES



Optional accessories for manual change-over switches

Ordering information for handle knobs



OHRS2_



OHRS3_



OHBS9_



OHRS9_



OHBS11



OHBS12

Handle knobs

No shaft needed, direct mounting on the top of the switch.

Suitable for switches	Colour	Type	Order number	Units/type [pcs]	Weight/unit [kg]
Padlockable in 0-position					
OT16...80F_C	Black	OHBS2/1	1SCA109090R1001	1	0.01
OT16...80F_C	Black	OHBS2	1SCA109089R1001	10	0.01
OT16...80F_C	Red	OHRS2/1	1SCA108599R1001	1	0.01
OT16...80F_C	Red	OHRS2	1SCA108598R1001	10	0.01
OT16...80F_C	Black	OHBS12/1	1SCA109094R1001	1	0.01
OT16...80F_C	Black	OHBS12	1SCA108252R1001	10	0.01
OT16...80F_C	Red	OHRS12/1	1SCA109097R1001	1	0.01
OT16...80F_C	Red	OHRS12	1SCA108253R1001	10	0.01
OT100...125F_C	Black	OHBS11/1	1SCA109093R1001	1	0.02
OT100...125F_C	Black	OHBS11	1SCA109092R1001	10	0.02
Non-padlockable					
OT16...80F_C	Black	OHBS3/1	1SCA108319R1001	1	0.01
OT16...80F_C	Black	OHBS3	1SCA108320R1001	10	0.01
OT16...80F_C	Red	OHRS3/1	1SCA108688R1001	1	0.01
OT16...80F_C	Red	OHRS3	1SCA108667R1001	10	0.01
OT100...125F_C	Black	OHBS9/1	1SCA108689R1001	1	0.01
OT100...125F_C	Black	OHBS9	1SCA108665R1001	10	0.01
OT100...125F_C	Red	OHRS9/1	1SCA108690R1001	1	0.01
OT100...125F_C	Red	OHRS9	1SCA108666R1001	10	0.01

Optional accessories for manual change-over switches

Ordering information for external handles



OHBS2_

Selector handle, indication I-O-II

IP65, Nema type 1, 3R, 12. Padlockable in O -position with maximum three padlocks with bail diameter 5...8 mm (two lower holes) and 5...6.3 mm (the upper hole). Door interlock in I- and II-position and when padlocked in O-position.

Suitable for switches	Colour	Shaft diameter [mm]	Type	Order number	Delivery batch [pcs]	Weight/unit [kg]
OT16...125F_C	Black	6	OHBS2AJE011	1SCA105220R1001	1	0.07
OT16...125F_C	Red-yellow	6	OHYS2AJE011	1SCA105301R1001	1	0.07



OHB45J6_

Pistol handle, plastic, indication I-O-II

Suitable for switches	Colour	Shaft diameter [mm]	Type	Order number	Delivery batch [pcs]	Weight/unit [kg]
Padlockable in all positions						

IP65, Nema type 1, 3R, 12. Door interlock in I- and II-position and when padlocked. Padlocking possibility with three padlocks, bail dia Ø 5...10 mm.

OT16...125F_C	Black	6	OHB45J6E311	1SCA022817R2130	1	0.10
OT16...125F_C	Red-yellow	6	OHY45J6E311	1SCA022817R2300	1	0.10
OT160...250_C	Black	6	OHB65J6E311	1SCA022662R4730	1	0.12
OT315...400_C	Black	12	OHB95J12E311	1SCA022779R2140	1	0.12
OT630...800_C	Black	12	OHB125J12E311	1SCA022615R1730	1	0.14
OT1000...3200_C	Black	12	OHB200J12PE311	1SCA104685R1001	1	0.40



OHB65J6_

Padlockable in the O-position

IP65, Nema type 1, 3R, 12. Door interlock in I- and II-position and when padlocked. Padlocking possibility with three padlocks, bail dia Ø 5...10 mm.

OT16...125F_C	Black	6	OHB45J6E011	1SCA022594R7110	1	0.10
OT16...125F_C	Red-yellow	6	OHY45J6E011	1SCA022817R2210	1	0.10
OT160...250_C	Black	6	OHB65J6E011	1SCA022383R2480	1	0.12
OT160...250_C	Red-yellow	6	OHY65J6E011	1SCA022779R1840	1	0.12
OT315...400_C	Black	12	OHB95J12E011	1SCA022621R0760	1	0.12
OT315...400_C	Red-yellow	12	OHY95J12E011	1SCA022621R0920	1	0.12
OT630...800_C	Black	12	OHB125J12E011	1SCA022589R3340	1	0.14
OT630...800_C	Red-yellow	12	OHY125J12E011	1SCA022615R1650	1	0.14
OT1000...3200_C	Black	12	OHB274J12E011	1SCA122306R1001	1	0.54
OT1000...3200_C	Black	12	OHB200J12PE011	1SCA022873R4230	1	0.40
OT1000...3200_C	Red-yellow	12	OHY200J12PE011	1SCA104686R1001	1	0.40



OHY125J12_



OHB274J12_



OHB200J12P_



OHB65J6E69

Handle not padlockable and no door interlocking

IP65, operating angle 90°.

OT160...250_CF	Black	6	OHB65J6E69	1SCA112052R1001	1	0.12
OT315...400_CF	Black	12	OHB95J12E69	1SCA112058R1001	1	0.12
OT630...800_CF	Black	12	OHB145J12E69	1SCA112066R1001	1	0.14

Optional accessories for manual change-over switches

Ordering information for external handles



OHB65J6E65

Pistol handle for closed transition types, plastic, indication I - I+II - II
IP65, operating angle 90°.

Suitable for switches	Colour	Shaft diameter [mm]	Type	Order number	Delivery batch [pcs]	Weight/unit [kg]
Handle not padlockable and no door interlocking						
OT160...250_CL	Black	6	OHB65J6E65	1SCA112050R1001	1	0.12
OT315...400_CL	Black	12	OHB95J12E65	1SCA112056R1001	1	0.12
OT630...800_CL	Black	12	OHB145J12E65	1SCA112063R1001	1	0.14
OT1000...2500_CL	Black	12	OHB200J12PE65	1SCA112078R1001	1	0.40



OHB95J12E65



OTV250ECK

Plastic handle, direct mounting, indication I-O-II

Includes a shaft and a mechanism cover. The type and ordering numbers are for one piece.

Suitable for switches	Colour	Type	Order number	Delivery batch [pcs]	Weight/unit [kg]
Padlockable with three padlocks in 0-position.					
OT160...250_C	Black	OTV250ECK	1SCA022783R0090	1	0.08
OT315...400_C	Black	OTV400ECK	1SCA022783R0170	1	0.26
OT630...800_C	Black	OTV800ECK	1SCA022797R2470	1	0.30
OT1000...2500_C	Black	OTV1000ECK	1SCA107481R1001	1	0.75
Includes a shaft (no mechanism cover)					
OTM40...125F_C	Black	OHB65D6CM	1SCA022807R9430	1	0.12



OTV1000ECK



OTV1000ECLK

Handle not padlockable, operating angle 90°.

OT160...250_CF	Black	OTV250ECLK	1SCA113141R1001	1	0.08
OT315...400_CF	Black	OTV400ECLK	1SCA113147R1001	1	0.26
OT630...800_CF	Black	OTV800ECLK	1SCA113151R1001	1	0.30

Plastic handle for closed transition types, direct mounting, indication I - I+II - II

Includes a shaft and a mechanism cover. The type and ordering numbers are for one piece.

Suitable for switches	Colour	Type	Order number	Delivery batch [pcs]	Weight/unit [kg]
Handle not padlockable, operating angle 90°.					
OT160...250_CL	Black	OTV250ECLK	1SCA113137R1001	1	0.08
OT315...400_CL	Black	OTV400ECLK	1SCA113143R1001	1	0.26
OT630...800_CL	Black	OTV800ECLK	1SCA113148R1001	1	0.30
OT1000...2500_CL	Black	OTV1000ECLK	1SCA113152R1001	1	0.75

Optional accessories for manual change-over switches

Dimensional drawings for external handles

Plastic handles

Handle type	Handle length L [mm]	Shaft B [mm]
OH_45J6E_	45	6
OH_65J6E_	65	6
OH_95J12E_	95	12
OH_125J12E_	125	12
OH_145J12E_	145	12
OH_175J12E_	175	12
OH_200J12E_	200	12
OH_275J12E_	275	12

Handle type	L [mm]
OH_274J12	274

Handle type	L [mm]
OHB150J12P	300
OHB200J12P	400

Door drilling for OH_ handles

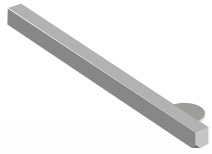
Valid for switches up to 125 A

Valid from switches from 200 to 800 A

Valid from switches 1000 A and higher (OHB handles)

Optional accessories for manual change-over switches

Ordering information for extended shafts



OXS6X_



OXP6X_



OXP12X

Shafts for selector handle handles

For switches	Length [mm]	Type	Order number	Delivery batch [pcs]	Weight/unit [kg]
Shaft diameter 6 mm					
OT16...125F_C	85	OXS6X85	1SCA101647R1001	10	0.03
	105	OXS6X105	1SCA108043R1001	10	0.03
	120	OXS6X120	1SCA101654R1001	10	0.04
	130	OXS6X130	1SCA101655R1001	10	0.04

Shafts for pistol handles

For switches	Length [mm]	Type	Order number	Delivery batch [pcs]	Weight/unit [kg]
Shaft diameter 6 mm					
OT16...125F_C	150	OXP6X150	1SCA022295R5600	10	0.05
	170	OXP6X170	1SCA108224R1001	10	0.05
	265	OXP6X265	1SCA108225R1001	10	0.08
	400	OXP6X400	1SCA108226R1001	10	0.12

Shaft diameter 6 mm

OT160...250_C	90	OXP6X90	1SCA022064R1180	10	0.03
	130	OXP6X130	1SCA022057R0570	10	0.04
	161	OXP6X161	1SCA022067R1760	10	0.05
	210	OXP6X210	1SCA022295R6080	10	0.06
	290	OXP6X290	1SCA022042R6370	10	0.08
	360	OXP6X360	1SCA022042R6530	10	0.11

Shaft diameter 6/12 mm (6 mm to 12 mm conversion shaft)

OT160...250E	161	OXP6/12x161C	1SCA111724R1001	1	0.05
--------------	-----	--------------	-----------------	---	------

Shaft diameter 12 mm

OT315...400_C	107	OXP12X107	1SCA022029R9750	1	0.12
	148	OXP12X148	1SCA022658R5570	1	0.17
	166	OXP12X166	1SCA022325R7100	1	0.20
	185	OXP12X185	1SCA022325R6710	1	0.22
	250	OXP12X250	1SCA022325R6980	1	0.29
	280	OXP12X280	1SCA022137R5140	1	0.33
	325	OXP12X325	1SCA022042R5810	1	0.38
	395	OXP12X395	1SCA022042R5990	1	0.46
	465	OXP12X465	1SCA022042R6020	1	0.54
	OT630...800_C	148	OXP12X148	1SCA022658R5570	1
185		OXP12X185	1SCA022325R6710	1	0.22
250		OXP12X250	1SCA022325R6980	1	0.29
325		OXP12X325	1SCA022042R5810	1	0.38
395		OXP12X395	1SCA022042R5990	1	0.46
465		OXP12X465	1SCA022042R6020	1	0.54
OT1000...3200	166	OXP12X166	1SCA022325R7100	1	0.20
	185	OXP12X185	1SCA022325R6710	1	0.23
	250	OXP12X250	1SCA022325R6980	1	0.29
	325	OXP12X325	1SCA022042R5810	1	0.38
	395	OXP12X395	1SCA022042R5990	1	0.46
	465	OXP12X465	1SCA022042R6020	1	0.54

Optional accessories for manual change-over switches

Ordering information for terminal shrouds



OTS_T3



OTS_T1



OTS_L_



OTS_S_

Terminal shrouds, transparent plastic

Snap-on mounting to the switches, IP20. The full shrouding of a 3-pole change-over switch is achieved with four 3-pole shrouds.

Suitable for switches	Type	Order number	Delivery batch [pcs]	Weight/unit [kg]
For three pole switches				
OT16...40F_C	OTS40T3	1SCA105317R1001	10	0.01
OT63...80F_C	OTS63T3	1SCA022353R6750	10	0.01
OT100...125F_C	OTS125T3	1SCA022379R9680	10	0.01
For fourth pole				
OTPS40FPN1	OTS40T1	1SCA105314R1001	10	0.01
OTPS40FPN2	OTS40T1	1SCA105314R1001	10	0.01
OTPS80FP	OTS63T1	1SCA022353R6910	10	0.01
OTPS60FP, OTSP125FP	OTS125T1	1SCA022379R9760	10	0.01

Terminal shrouds, grey plastic

Snap-on mounting to the switches, IP 20. A kit includes three or four shrouds which can be used on either side of the switch. Suitable for the upperswitch. Transparent shrouds for OT_160...2500 available on request, please replace the letter "G" with "T".

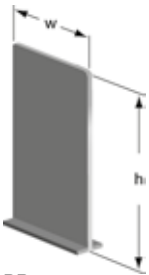
Suitable for switches	No. of poles	Description	Type	Order number	Units/type [pcs]	Weight/unit [kg]
OT_160...250_C	3	Long type	OTS250G1L/3	1SCA022731R8150	3	0.09
OT_160...250_C	3	Short type	OTS250G1S/3	1SCA022731R8310	3	0.06
OT_160...250_C	4	Long type	OTS250G1L/4	1SCA022731R8230	4	0.12
OT_160...250_C	4	Short type	OTS250G1S/4	1SCA022731R8400	4	0.08
OT_315...400_C	3	Long type	OTS400G1L/3	1SCA022736R8840	3	0.15
OT_315...400_C	3	Short type	OTS400G1S/3	1SCA022736R9060	3	0.09
OT_315...400_C	4	Long type	OTS400G1L/4	1SCA022736R9490	4	0.20
OT_315...400_C	4	Short type	OTS400G1S/4	1SCA022736R9650	4	0.12
OT_600...800_C	3	Long type	OTS800G1L/3	1SCA022776R7890	3	0.32
OT_600...800_C	3	Short type	OTS800G1S/3	1SCA022776R8190	3	0.17
OT_600...800_C	4	Long type	OTS800G1L/4	1SCA022776R7970	4	0.42
OT_600...800_C	4	Short type	OTS800G1S/4	1SCA022776R8270	4	0.26
OT_1000...1600_C	3	Long type	OTS1600G1L/3	1SCA022871R9510	3	0.64
OT_1000...1600_C	3	Short type	OTS1600G1S/3	1SCA022871R9600	3	0.37
OT_1000...1600_C	4	Long type	OTS1600G1L/4	1SCA022871R9780	4	0.85
OT_1000...1600_C	4	Short type	OTS1600G1S/4	1SCA022871R9860	4	0.49
OT_2000...2500_C	3	Long type	OTS2500G1L/3	1SCA107261R1001	3	0.77
OT_2000...2500_C	3	Short type	OTS2500G1S/3	1SCA107260R1001	3	0.47
OT_2000...2500_C	4	Long type	OTS2500G1L/4	1SCA107262R1001	4	1.00
OT_2000...2500_C	4	Short type	OTS2500G1S/4	1SCA107271R1001	4	0.61
OT3200_C	3	Long type	OTS4000G1L/3	1SCA129042R1001	3	1.20
OT3200_C	3	Short type	OTS4000G1S/3	1SCA129044R1001	3	1.00
OT3200_C	4	Long type	OTS4000G1L/4	1SCA129043R1001	4	1.40
OT3200_C	4	Short type	OTS4000G1S/4	1SCA129045R1001	4	1.60

Optional accessories for manual change-over switches

Ordering information for phase barriers



OTB_



PB_

Phase barriers

The phase barriers designed for ABB Tmax T4-T5 MCCB's can also be used for OT_160...800 change-over switches. 3-pole change-overs need 8 barriers and 4-pole change-overs need 12 barriers for full protection.

Suitable for switches	No. of poles	Height h [mm]	Cutting width W of the phase barrier [mm]	Type	Order number	Units/type [pcs]
OT_160...250E_C	3	100	55	PB100 low	1SDA054970R1	4
OT_160...250E_C	3	200	55	PB200 high	1SDA054972R1	4
OT_160...250E_C	4	100	55	PB100 low	1SDA054971R1	6
OT_160...250E_C	4	200	55	PB200 high	1SDA054973R1	6
OT_315...400E_C	3	100	67	PB100 low	1SDA054970R1	4
OT_315...400E_C	3	200	67	PB200 high	1SDA054972R1	4
OT_315...400E_C	4	100	67	PB100 low	1SDA054971R1	6
OT_315...400E_C	4	200	67	PB200 high	1SDA054973R1	6
OT_600...800E_C	3	100	90	PB100 low	1SDA054970R1	4
OT_600...800E_C	3	200	90	PB200 high	1SDA054972R1	4
OT_600...800E_C	4	100	90	PB100 low	1SDA054971R1	6
OT_600...800E_C	4	200	90	PB200 high	1SDA054973R1	6

Optional accessories for manual change-over switches

Ordering information for terminal clamps



OZXT1



OZXT2...3



OZXB2L



OZXB7L



OZXB9

Terminal clamp sets for Al- and Cu-cables insulated versions

Suitable for switches	Cable cross section [mm ²]	Type	Order number	Units/type [pcs]	Weight/unit [kg]
OT63...125F_	16...50 Al/2.5...50 Cu	OZXT1	1SCA022469R6310	3	0.06
OT100...125F_	16...120 Al/Cu	OZXT2	1SCA022620R7200	3	0.21
OT100...125F_	2x(16...50) Al/Cu	OZXT3	1SCA022639R0720	3	0.21
OTM40...125F_	16...50 Al/2.5...50 Cu	OZXT1	1SCA022469R6310	3	0.06

Terminal clamp sets for Al- and Cu-cables

Suitable for switches	Cable cross section [mm ²]	Suitable shroud	Type	Order number	Units/type [pcs]	Delivery batch [pcs]	Weight/unit [kg]
OT100...125F_	10...70		OZXL1	1SCA022439R6770	3	1	0.14
OT_160...250E_C	10...70	OTS250_L	OZXB1L	1SCA022169R2030	3	1	0.15
OT_160...250E_C	10...70	OTS250_L	OZXB1L/1	1SCA022194R0030	1	50	0.05
OT_160...250E_C	25...120	OZXB2K	OZXB2	1SCA022119R7610	3	1	0.34
OT_160...250E_C	25...120	OZXB2K	OZXB2/1	1SCA022194R0200	1	50	0.12
OT_160...250E_C	25...120	OZXB2K	OZXB2L	1SCA022158R7750	3	1	0.43
OT_160...250E_C	25...120	OZXB2K	OZXB2L/1	1SCA022194R0460	1	50	0.15
OT_160...250E_C	95...185	OTS250_L	OZXB8	1SCA022744R1510	3	1	0.50
OT_160...250E_C	95...185	OTS250_L	OZXB8/1	1SCA022744R1600	1	20	0.15
OT_160...250E_C	95...240	OTS250_L	OZXB9	1SCA022750R3210	3	1	0.50
OT_160...250E_C	95...240	OTS250_L	OZXB9/1	1SCA022750R3300	1	20	0.15
OT_315...400E_C	25...120	OZXB2K	OZXB2L	1SCA022158R7750	3	1	0.43
OT_315...400E_C	25...120	OZXB2K	OZXB2L/1	1SCA022194R0460	1	50	0.15
OT_315...400E_C	70...185	OZXB3K	OZXB3	1SCA022136R8100	3	1	1.28
OT_315...400E_C	70...185	OZXB3K	OZXB3/1	1SCA022194R0620	1	20	0.43
OT_315...400E_C	2x(70...185)	OZXB3K	OZXB4	1SCA022137R4760	3	1	1.71
OT_315...400E_C	2x(70...185)	OZXB3K	OZXB4/1	1SCA022194R0890	1	20	0.57
OT_315...400E_C	120...240	OZXB5K	OZXB7	1SCA022185R0040	3	1	1.00
OT_315...400E_C	120...240	OZXB5K	OZXB7/1	1SCA022194R1430	1	20	0.34
OT_315...400E_C	120...240	OZXB5K	OZXB7L	1SCA022185R7130	3	1	1.17
OT_315...400E_C	120...240	OZXB5K	OZXB7L/1	1SCA022194R1600	1	20	0.40
OT_315...400E_C	95...185	OTS400_L	OZXB8	1SCA022744R1510	3	1	0.50
OT_315...400E_C	95...185	OTS400_L	OZXB8/1	1SCA022744R1600	1	20	0.15
OT_315...400E_C	95...240	OTS400_L	OZXB9	1SCA022750R3210	3	1	0.50
OT_315...400E_C	95...240	OTS400_L	OZXB9/1	1SCA022750R3300	1	20	0.15

Optional accessories for manual change-over switches

Ordering information for bridging- and reversing bars



OTZC13...34



OTZC43...44
OTZC53...54

Bridging bars

The bridging bars provide a connection link either on the incoming or outgoing side of the switch.

Suitable for switches	No. of poles	Type	Order number	Units/type [pcs]	Weight/unit [kg]
OT_160...250_C	3	OTZC13	1SCA022767R6910	3	0.6
OT_160...250_C	4	OTZC14	1SCA022767R7040	4	0.8
OT_315...400_C	3	OTZC23	1SCA022767R7120	3	0.6
OT_315...400_C	4	OTZC24	1SCA022767R7210	4	0.8
OT_600_C...800E_C	3	OTZC33	1SCA022785R7020	3	1.0
OT_600_C...800E_C	4	OTZC34	1SCA022785R7110	4	1.3
OT_1000...1250E_C	3	OTZC43	1SCA022868R0710	3	4.2
OT_1000...1250E_C	4	OTZC44	1SCA022868R0800	4	5.6
OT800U_, OT_1600E_C	3	OTZC53	1SCA022868R0980	3	5.6
OT800U_, OT_1600E_C	4	OTZC54	1SCA022868R1010	4	7.4
OT_2000...2500E_C	3	OTZC63	1SCA022868R1100	3	10.8
OT_2000...2500E_C	4	OTZC64	1SCA022868R1360	4	14.5
OT_3200E_C	3	OTZC73	1SCA128843R1001	3	14.1
OT_3200E_C	4	OTZC74	1SCA128844R1001	4	18.7



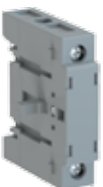
OTZR_

Reversing bars

A reversing switch can be built by using phase sequence bars in two phases. The kit includes two phase sequence conversion bars. The missing bridging bars must be ordered separately, see above. For example 3-pole switches: one 4-pole standard bridging bar kit is required (one bar for the reversing side, three bars for the other side).

Suitable for switches	Type	Order number	Units/type [pcs]	Weight/unit [kg]
OT_160...250_C	OTZR1	1SCA100352R1001	2	0.3
OT_315...400_C	OTZR2	1SCA104647R1001	2	0.3
OT_600_C...800E_C	OTZR3	1SCA100355R1001	2	0.4

Ordering information for fourth poles



OTPS40F

Fourth poles for OT16...125F

Snap-on mounting to the left or right side of the switches, IP20.

Simultaneous operation with power poles. The type and ordering numbers are for one piece.

Suitable for switches	Rated current, up to 415V AC-21A/AC-22A/AC-23A I[A]	Type	Order number	Delivery batch [pcs]	Weight/unit [kg]
OT16...40F_C	40/40/23	OTPS40FPN1 ¹⁾	1SCA105001R1001	10	0.03
OT16...40F_C	40/40/23	OTPS40FPN2 ²⁾	1SCA105000R1001	10	0.03
OT63...80F_C	80/80/75	OTPS80FP	1SCA105461R1001	10	0.06
OT100...125F_C	125/125/90	OTPS125FP	1SCA105099R1001	10	0.14

¹⁾ Installation to the left side

²⁾ Installation to the right side

Optional accessories for manual change-over switches

Ordering information and technical data for auxiliary contacts



OA1G01
OA7G10



OA1G01
OA8G01



OA2G11

Auxiliary contact blocks for OT16...125F

Snap-on mounting to the switch, IP 20, max. 2 blocks/ side.

$I_{th} = 16$ A, suitable for cable cross sections max. $2 \times 2,5$ mm².

Simultaneous action with the main contacts.

Suitable for switches	Contact functions	Installation side	Type	Order number	Delivery batch [pcs]	Weight/unit [kg]
OT_16...125F_C	1NO	Right	OA1G10	1SCA022353R4970	10	0.03
OT_16...125F_C	1NC	Right	OA8G01	1SCA022744R2240	10	0.03
OT_16...125F_C	1NO	Left	OA7G10	1SCA022673R1140	10	0.03
OT_16...125F_C	1NC	Left	OA1G01	1SCA022353R4890	10	0.03
OT63...125F3C	1NO+1NC	Either	OA2G11 ¹⁾	1SCA022379R8100	10	0.03

¹⁾ Not mountable on 4-pole change-over switches

Auxiliary contact blocks for OT160... 3200

Mounting on the right side of the switch: Max. 4 auxiliary contact blocks/switch (totally 8 blocks). Types _AU have gold plated contacts for harsh environments and low operating voltages. Simultaneous action with the main contacts, IP20.

Suitable for switches	Contact functions	Installation side	Type	Order number	Delivery batch [pcs]	Weight/unit [kg]
OT_160...3200_	1NO	Right	OA1G10	1SCA022353R4970	10	0.03
OT_160...3200_	1NC	Right	OA3G01	1SCA022456R7410	10	0.03
OT_160...3200_	1NO	Right	OA1G10AU	1SCA022436R7910	10	0.03
OT_160...3200_	1NC	Right	OA3G01AU	1SCA022819R5260	10	0.03

Auxiliary contacts

Technical data for auxiliary contacts according to IEC 60947-5-1, for OA1G_, OA2G_, OA3G_, OA7G_, OA8G_

U _e /[V]	AC15		DC12		DC13	
	I _e /[A]	U _e /[V]	I _e /[A]	P/[W]	I _e /[A]	P/[W]
230	6	24	10	240	2	50
400	4	72	4	290	0.8	60
415	4	125	2	250	0.55	70
690	2	250	0.55	140	0.27	70
		440	0.1	44		

Function tables

Function table of OT160...3200, OT160...800_Y and OTM160...2500 auxiliary contacts / Switch I (max. 2+2)

Handle position	Main contacts	OA1G10 NO	OA3G01 NC
I	closed	closed	open
0	open	open	closed
II	closed	open	closed

Function table of OT160...3200, OT160...800_Y and OTM160...2500 auxiliary contacts / Switch II (max. 2+2)

Handle position	Main contacts	OA1G10 NO	OA3G01 NC
I	closed	open	closed
0	open	open	closed
II	closed	closed	open



Motorized change-over switches

Open transition from 40 to 3200 Amperes

Introduction to motorized change-over switches	
General information	46
Product range	47
Type codes	48
Technical data	
OTM16...125_C	49
OTM160...800_C	50
OTM1000...3200_C	51
Motor operator performance data	
OTM40...125_C	52
OTM160... 3200_C	53
Ordering information	
OTM40...OTM125_CMA	54
OTM160...OTM3200_CM	56
Dimension drawings	
Motorized change-over switches	62
Ordering information for optional accessories	
Handles and storage clips	66
Terminal shrouds	67
Phase barriers	68
Terminal clamps	68
Bridging- and reversing bars	69
Voltage sensing connector	70
Parallel connection kits	70
Auxiliary contacts	71
Automatic control units and related accessories	72
Dual power sources	75

ABB's motorized change-over switches are suitable for remote operations and ensure a reliable load transfer under any given circumstance.

Motorized change-over switches

Uninterrupted power supply with motorized functionality

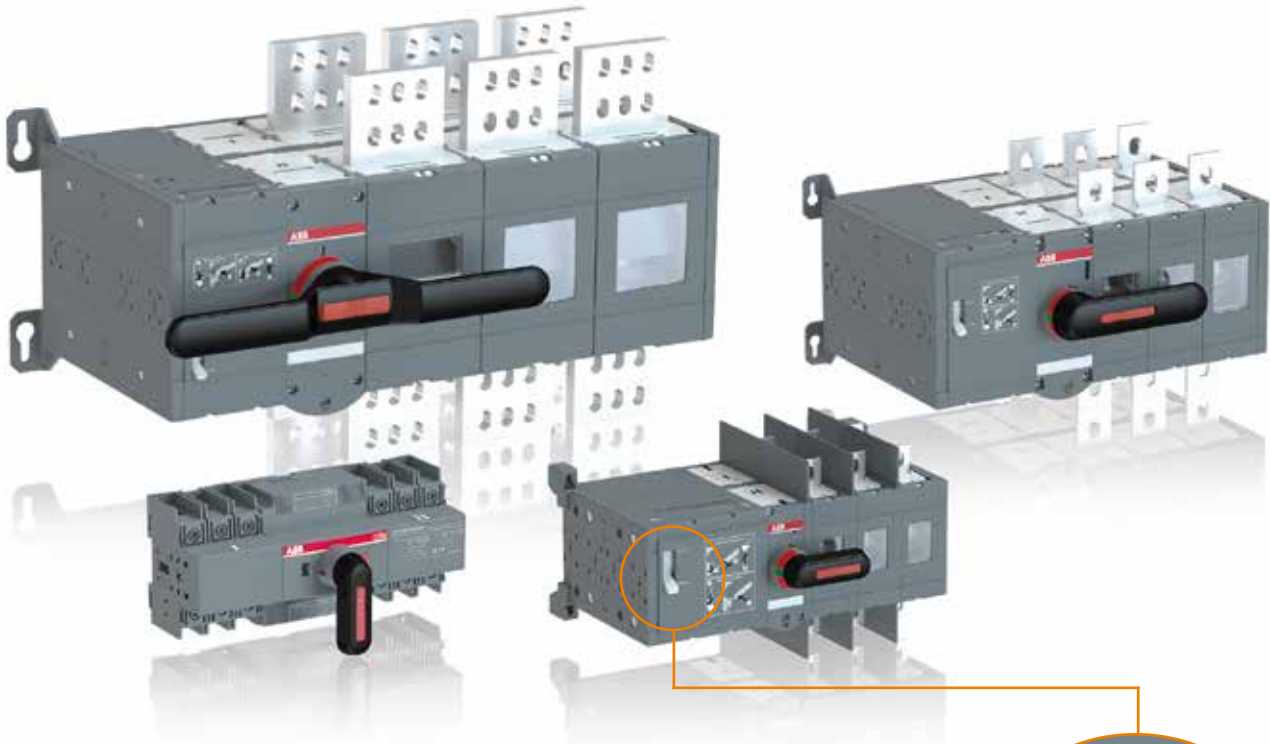


ABB offers a wide variety of open transition motorized change-over switches from 40 to 3200 Amperes in range. All of our visually redesigned motorized change-over switches now come equipped with a new cover with clear operating instructions and enhanced motor operator performance.



High performance level

Ensuring a high performance level for you is of the utmost importance to us. In change-over applications where the loaded switch may need to be operated remotely, adequate durability has been ensured by testing against the IEC 60947-6-1 standard in the specification of endurance requirements.



Reduced installation time

ABB motorized change-over switches are fast and easy to install. The voltage sensing connectors have been designed to save time, as there is no need to drill holes into the busbars (see page 78 for relevant accessories). Also, the control and power cables are screw mounted, providing a safe and secure connection that stays tight even during transportation.



Safe and reliable

Our switches come equipped with a comprehensive range of inbuilt safety features such as mechanical interlock, which ensures the isolation of the two asynchronous power supplies. This eliminates risk of short-circuiting between them. The motorized change-over switches are also equipped with a handle for manual operation in case of emergency.



Space-saving design

ABB provides compact and cost-effective components for any and all installations. On average, our motorized change-over switches are 20% smaller than other similar products on the market.

Motorized change-over switches

Open transition from 40 to 2500 Amperes



Motor operation, change-over switches 16-125 A

Types	OTM40F_C					OTM63F_C				
						OTM80F_C				
						OTM100F_C				
						OTM125F_C				
I_{th} /A	40	63	80	115	125	40	63	80	115	125
I _v /AC-22A, < 415V	40	63	80	100	125	40	63	80	100	125
I _v /AC-23A, < 415V	40	63	80	80	90	40	63	80	80	90



Motor operation, change-over switches 160-800 A

Types	OTM160E_C			OTM160E_WC			OTM315E_C		OTM630E_C	
	OTM200E_C			OTM200E_WC			OTM400E_C		OTM800E_C	
	OTM250E_C			OTM250E_WC						
I_{th} /A	160	200	250	160	200	250	315	400	630	800
I _v /AC-22A, < 415V	160	200	250	160	200	250	315	400	630	800
I _v /AC-23A, < 415V	160	200	250	160	200	250	315	400	630	800
I _v /AC-31B, < 415V	160	200	250	160	200	250	315	400	650	720



Motor operation, change-over switches 1000-3200 A

Types	OTM1000E_C		OTM1600E_C		OTM2000E_C		
	OTM1250E_C				OTM2500E_C		
					OTM3200E_C		
I_{th} /A	1000	1250	1600		2000	2500	3200
I _v /AC-22A, < 415V	1000	1250	1600				
I _v /AC-21B, < 415V					2000	2500	3200
I _v /AC-31B, < 415V	1000	1250	1600				

Motorized change-over switches

Type codes

Type codes

Understanding the type code keys below will help you quickly identify the correct product for your needs. The simple naming system allows you to see the products type, Ampere rating, standard classification and number of poles, all in one glance.

Explanation of the types OTM40...125_C

Option:	OTM125	F	3	C	M	A	230	V
Position:	1	2	3	4	5	6	7	8

1	Brand and Switch size / Ampere rating
2	IEC
3	Number of the poles 3: 3-poles 4: 4-poles
4	Change over switch: I-0-II -operation
5	Remote control
6	Automatic operation available with OMD control unit (controller not included in the delivery)
7	Voltage for motor operator 230: 110...240 V AC/DC 24: 24 V AC/DC
8	Motor voltage type V=AC/DC

Explanation of the types OTM160...2500_C

Option:	OTM250	E	3	C	M	230	C
Position:	1	2	3	4	5	6	7

1	Brand and Switch size / Ampere rating
2	IEC
3	Number of the poles 2: 2-poles 3: 3-poles 4: 4-poles
4	Change-over switch: I-0-II -operation
5	Motorized change-over switch
6	Voltage for motor operator 230: 220...240 V AC ¹⁾ 110: 110...125 V AC/DC 48: 48 V AC/DC 24: 24 V AC/DC
7	Motor voltage type V: AC/DC C: AC D: DC

¹⁾ 2-pole versions, motor voltage U_e 220...240V AC/DC

Motorized change-over switches

Technical data for OTM16...125_C

Motorized change-over switches

Data according to IEC 60947-3				Switch size				
				OTM40_	OTM63_	OTM80_	OTM100_	OTM125_
Rated insulation voltage and rated operational voltage AC20/DC20		Pollution degree 3	V	800	800	800	800	800
Dielectric strength		50 Hz 1min.	kV	6	6	6	6	6
Rated impulse withstand voltage			kV	8	8	8	8	8
Rated thermal current and rated operational current AC20/DC20	/ ambient 40°C	In open air	A	40	63	80	115	125
	/ ambient 40°C	In enclosure	A	40	63	80	115	125
	/ ambient 60°C	In enclosure	A	32	50	63	80	100
..with minimum conductor cross section		Cu	mm ²	10	16	25	35	50
Rated operational current, AC-21A		up to 500 V	A	40	63	80	100	125
		690 V	A	40	63	80	100	125
Rated operational current, AC-22A		up to 500 V	A	40	63	80	100	125
		690 V	A	40	63	80	100	125
Rated operational current, AC-23A		up to 415 V	A	40	63	80	80	90
		500 V	A	40	60	60	60	70
		690 V	A	40	40	40	40	50
Rated operational current / poles in series, DC-21A		up to 48 V	A	40/1	63/1	80/1	100/1	125/1
		110 V	A	40/2	63/2	80/2	100/2	125/2
		220 V	A	40/4	63/4	80/4	100/4	100/4
Rated operational current / poles in series, DC-22A		up to 48 V	A	40/1	63/1	80/1	100/1	125/1
		110 V	A	40/2	63/2	80/2	100/2	125/2
		220 V	A	40/4	63/4	80/4	80/4	80/4
Rated operational current / poles in series, DC-23A		up to 48 V	A	40/1	63/1	80/1	100/1	125/1
		110 V	A	40/2	63/2	80/2	100/2	125/2
		220 V	A	40/4	63/4	63/4	63/4	63/4
Rated operational power, AC-23A ¹⁾		230 V	kW	7.5	15	22	22	22
The kW-ratings are accurate for 3-phase 1500 R.P.M. standard asynchronous motors		400 V	kW	18.5	30	37	37	45
		415 V	kW	18.5	30	37	37	45
		500 V	kW	22	37	37	37	45
		690 V	kW	37	37	37	37	45
Rated breaking capacity in category AC-23		up to 415 V	A	320	504	640	640	720
		500 V	A	320	480	480	480	560
		690 V	A	320	320	320	320	400
Rated conditional short-circuit current I_p (r.m.s.) and corresponding max. allowed cut-off current \hat{i}_c (peak) value. The cut-off current \hat{i}_c refers to values listed by fuse manufacturers (single phase test acc. to IEC60269).	I_p (r.m.s.) 50 kA, 415 V	\hat{i}_c (peak)	kA	16.5	16.5	16.5	16.5	16.5
	Max. OFA_ fuse size	gG/aM	A/A	125/125	125/125	125/125	125/125	125/125
	I_p (r.m.s.) 18 kA, 690 V	\hat{i}_c (peak)	kA	11	11	11	11	11
	Max. OFA_ fuse size	gG	A	125	125	125	125	125
	I_p (r.m.s.) 50 kA, 690 V	\hat{i}_c (peak)	kA	10	10	10	10	10
	Max. OFA_ fuse size	gG/aM	A/A	63/63	63/63	63/63	63/63	63/63
Rated short-time withstand current	I_{cw} (r.m.s.)	690 V 1s	kA	2.5	2.5	2.5	2.5	2.5
Rated short-time making capacity ²⁾	I_{cm} (peak)	690 V	kA	3.6	3.6	3.6	3.6	3.6
Power loss / pole	With rated current		W	1.6	2.8	3.5	4.0	6.3
Mechanical endurance	Number of oper. cycles ³⁾		Cycles	10 000	10 000	10 000	10 000	10 000
Cable size	Cu-wire size suitable for terminal clamps		mm ²	2.5-25/2x2.5-16	10-70	10-70	10-70	10-70
			AWG	14-4/2x14-6	8-00	8-00	8-00	8-00
Terminal tightening torque	Counter torque required		Nm	6	6	6	6	6
Operating torque	3-pole switches		Nm	5	5	5	5	5
Weight without accessories	3-pole switch		kg	1.37	1.37	1.37	1.37	1.37
	4-pole switch		kg	1.60	1.60	1.60	1.60	1.60
Data according to IEC 60947-6-1								
Class of equipment				PC	PC	PC	PC	PC
Rated short-time withstand current	I_{cw} (r.m.s.)	690 V 0.1s	kA	5	5	5	5	5
Conditional short-circuit current	I_{sc} (r.m.s.)	415 V	kA	50	50	50	50	50
Corresponding fuse rating	gG/aM fuse	415 V	A	125	125	125	125	125
Rated operational current, AC-31B		up to 415 V	A	40	63	80	100	125
Rated operational current, AC-32B		up to 415 V	A	40	63	80	100	125
Rated operational current, AC-33B		up to 415 V	A	40	63	80	80	80

¹⁾ These values are given for guidance and may vary according to the motor manufacturer

²⁾ Short circuit duration > 50ms, without fuse protection

³⁾ Operating cycle: O - I - O - II - O

Motorized change-over switches

Technical data for OTM160...800_C

Motorized change-over switches

Data according to IEC 60947-3				Switch size						
				OT_160_	OT_200_	OT_250_	OT_315_	OT_400_	OT_630_	OT_800_
Rated insulation voltage and rated operational voltage AC20/DC20 ¹⁾		Pollution degree 3 ²⁾	V	1000	1000	1000	1000	1000	1000	1000
Dielectric strength		50 Hz 1min.	kV	10	10	10	10	10	10	10
Rated impulse withstand voltage ³⁾			kV	12	12	12	12	12	12	12
Rated thermal current and rated operational current AC20/DC20	/ ambient 40°C	In open air	A	160	200	250	315	400	630	800
	/ ambient 40°C	In enclosure	A	160	200	250	315	400	630	800
..with minimum conductor cross section		Cu	mm ²	70	95	120	185	240	2x185	2x240
Rated operational current, AC-21A	up to 500 V		A	160	200	250	315	400	630	800
	690 V		A	160	200	250	315	400	630	800
Rated operational current, AC-22A	up to 500 V		A	160	200	250	315	400	630	800
	690 V		A	160	200	250	315	400	630	800
Rated operational current, AC-23A	up to 415 V		A	160	200	250	315	400	630	800
	440 V		A	160	200	250	315	400	630	800
	500 V		A	160	200	250	315	400	630	800
	690 V		A	160	200	250	315	400	630	800
Rated operational current / poles in series, DC-21A ⁶⁾	≤ 110 V		A	160/2	200/2	250/2	315/1 ¹⁾	400/1 ¹⁾	630/1	800/1
	220 V		A	160/2	200/2	250/2	315/2 ¹⁾	400/2 ¹⁾	630/1	800/1
	440 V		A	160/3	200/3	230/3	315/3	360/3	630/2	720/2
	660 V		A	160/4	200/4	200/4	315/4	315/4	630/4 ¹⁾	630/4 ¹⁾
Rated operational power, AC-23A ²⁾ The kW-ratings are accurate for 3-phase 1500 R.P.M. standard asynchronous motors	230 V		kW	45	60	75	100	132	200	250
	400 V		kW	90	110	140	160	220	355	450
	415 V		kW	90	110	145	180	230	355	450
	500 V		kW	110	132	170	220	280	400	560
Rated breaking capacity in category AC-23	up to 415 V		A	1 280	1 600	2 000	2 520	3 200	5 040	6 400
	500 V		A	1 280	1 600	2 000	2 520	3 200	5 040	6 400
	690 V		A	1 280	1 600	2 000	2 520	3 200	5 040	6 400
Rated conditional short-circuit current I _p (r.m.s.) and cut-off current I _c (peak) value. The cut-off current I _c refers to values listed by fuse manufacturers (single phase test acc. to IEC60269).	I _p (r.m.s.) 80 kA, 415 V	I _c (peak)	kA	40.5	40.5	40.5	59	59	83.5	83.5
	Max. OFA_fuse size	gG/aM	A/A	355/315	355/315	355/315	500/500	500/500	800/1 000	800/1 000
	I _p (r.m.s.) 100 kA, 500 V	I _c (peak)	kA	40.5	40.5	40.5	61.5	61.5	90	90
	Max. OFA_fuse size	gG/aM	A	315/315	315/315	315/315	500/450	500/450	800/800	800/800
Rated short-time withstand current	I _p (r.m.s.) 80 kA, 690 V	I _c (peak)	kA	40.5	40.5	40.5	59	59	83.5	83.5
	Max. OFA_fuse size	gG/aM	A	355/315	355/315	355/315	500/500	500/500	800/1 000	800/1 000
Rated short-time making capacity ³⁾	I _{cm} (r.m.s.)	690 V 0.15s	kA	15	15	15	31	31	38	38
		690 V 0.25s	kA	15	15	15	24	24	36	36
		690 V 1s	kA	8	8	8	15	15	20	20
Rated short-time making capacity ³⁾	I _{cm} (peak) ⁴⁾	690 V	kA	30	30	30	65	65	80	80
Power loss / pole	With rated current		W	2.4	4	6.5	6.5	10	25	40
Mechanical endurance	Number of oper. cycles ⁵⁾		Cycles	8 000	8 000	8 000	8 000	8 000	5 000	5 000
Terminal bolt size	Metric thread diameter x length		mm	M8x25	M8x25	M8x25	M10x30	M10x30	M12x40	M12x40
Terminal tightening torque	Counter torque required		Nm	15-22	15-22	15-22	30-44	30-44	50-75	50-75
Operating torque	3-pole change-over switches		Nm	7	7	7	16	16	27	27
Weight without accessories	3-pole switch		kg	5.7	5.7	5.7	10.2	10.2	17.5	17.5
	4-pole switch		kg	6.4	6.4	6.4	11.4	11.4	20.4	20.4
Data according to IEC 60947-6-1										
Class of equipment				PC	PC	PC	PC	PC	PC	PC
Rated short-time withstand current	I _{cm} (r.m.s.)	690 V 0.1s	kA	15	15	15	25	25	38	38
Rated operational current, AC-31B		up to 415 V	A	160	200	250	315	400	650	720
Rated operational current, AC-33B		up to 415 V	A	160	200	250	315	400	650	650

¹⁾ Utilization category B

²⁾ These values are given for guidance and may vary acc. to the motor manufacturer

³⁾ Short circuit duration > 50ms, without fuse protection

⁴⁾ Max. distance from switch frame to nearest busbar / cable support 150 mm

⁵⁾ Operating cycle: O - I - O - II - O

⁶⁾ Further ratings on request

Motorized change-over switches

Technical data for OTM1000...3200_C

Motorized change-over switches

Data according to IEC 60947-3				Switch size					
				OT_1000_	OT_1250_	OT_1600_	OT_2000_	OT_2500_	OT_3200_
Rated insulation voltage and rated operational voltage AC20/DC20 ¹⁾		Pollution degree 3 ²⁾	V	1 000	1 000	1 000	1 000	1 000	1 000
Dielectric strength		50 Hz 1min.	kV	10	10	10	10	10	10
Rated impulse withstand voltage ³⁾			kV	12	12	12	12	12	12
Rated thermal current and rated operational current AC20/DC20	/ ambient 40°C	In open air	A	1 000	1 250	1 600	2 000	2 500	3 200
..with minimum conductor cross section	/ ambient 40°C	In enclosure	A						
		Cu	mm ²	2x300	2x400	2x500	3x500	4x500	4x1 000
Rated operational current, AC-21A		up to 500 V	A	1 000	1 250	1 600	2 000 ⁵⁾	2 500 ⁵⁾	3 200 ⁵⁾
		690 V	A	1 000	1 250	1 600			
Rated operational current, AC-22A		up to 500 V	A	1 000	1 250	1 600			
		690 V	A	1 000	1 250	1 600			
Rated operational current, AC-23A		up to 415 V	A	1 000	1 250	1 250			
		440 V	A	1 000	1 250	1 250			
		500 V	A	1 000	1 250	1 250			
		690 V	A	1 000	1 250	1 250			
Rated operational power, AC-23A ¹⁾		230 V	kW	315	400	400			
The kW-ratings are accurate for 3-phase 1500 R.P.M. standard asynchronous motors		400 V	kW	560	710	710			
		415 V	kW	560	710	710			
		500 V	kW	710	900	900			
		690 V	kW	1 000	1 200	1 200			
Rated breaking capacity in category AC-23		up to 415 V	A	10 000	10 000	10 000			
		500 V	A	10 000	10 000	10 000			
		690 V	A	10 000	10 000	10 000			
Rated conditional short-circuit current I_p (r.m.s.) and cut-off current I_c (peak) value. The cut-off current I_c refers to values listed by fuse manufacturers (single phase test acc. to IEC60269).	I_p (r.m.s.) 80 kA, 415 V Max. OFA_fuse size	I_c (peak) gG/aM	kA A/A	100 1 250/1 250	100 1 250/1 250	100 1 250/1 250			
	I_p (r.m.s.) 100 kA, 500 V Max. OFA_fuse size	I_c (peak) gG/aM	kA A	106 1 250/1 250	106 1 250/1 250	106 1 250/1 250			
	I_p (r.m.s.) 80 kA, 690 V Max. OFA_fuse size	I_c (peak) gG/aM	kA A						
Rated short-time withstand current	I_{cw} (r.m.s.)	690 V 0.15s	kA	50	50	50	50	50	
		690 V 0.25s	kA	50	50	50	50	50	
		690 V 1s	kA	50	50	50	55	55	65
Rated short-time making capacity ²⁾	I_{cm} (peak) ³⁾	690 V	kA	92	92	92	110	110	143
Power loss / pole	With rated current		W	19	29	48	55	85	95
Mechanical endurance	Number of oper. cycles ⁴⁾		Cycles	3 000	3 000	3 000	2 000	2 000	400
Terminal bolt size	Metric thread diameter x length		mm	M12x60	M12x60	M12x60	M12x60	M12x60	M12x100
Terminal tightening torque	Counter torque required		Nm	50-75	50-75	50-75	50-75	50-75	50-75
Operating torque	3-pole change-over switches		Nm	78	78	78	78	78	80
Weight without accessories	3-pole switch		kg	42	42	44	56	56	83
	4-pole switch		kg	50	50	52	70	70	101
Data according to IEC 60947-6-1									
Class of equipment				PC	PC	PC			
Rated short-time withstand current	I_{cw} (r.m.s.)	690 V 0.1s	kA	50	50	50			
Rated operational current, AC-31B		up to 415 V	A	1 000	1 250	1 600			
Rated operational current, AC-33B		up to 415 V	A	1 000	1 000	1 000			

¹⁾ These values are given for guidance and may vary acc. to the motor manufacturer

²⁾ Short circuit duration > 50ms, without fuse protection

³⁾ Max. distance from switch frame to nearest busbar / cable support 150 mm

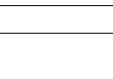
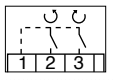
⁴⁾ Operating cycle: O - I - O - II - O

⁵⁾ Category AC-21B, up to 415V

Motorized change-over switches

Motor operator performance data for OTM40...125_C

Motor operator

				Switch size
Data according to IEC 60947				40...125
Rated operational voltage U_e	Pollution degree 3 50/60 Hz		V AC/DC V DC	110 - 240 24
Operating voltage range				0.85 - 1.1 x U_e
Operating time ¹⁾	90° I-0, 0-I, 0-II, II-0	110...240 V AC/DC 24 V DC	s s	0.5-1.0 0.6-1.3
Operating transfer time ¹⁾	180° I-II, II-I	110...240 V AC/DC 24 V DC	s s	1.2-1.5 1.4-2.1
OFF -time when operating I-II or II-I ¹⁾	180° I-II, II-I	110...240 V AC/DC 24 V DC	s s	0.4-0.8 0.6-1.0
Nominal current I_n ¹⁾		110...240 V AC/DC 24 V DC	A A	0.2-0.5 0.6
Current inrush ¹⁾		110...240 V AC/DC 24 V DC	A A	1.5-3.0 3.6
Operating rate	Cycle 0-I-0-II-0	Max. continuous Max. short-time ≤ 10 cycles	cycles/min cycles/min	1 10
Overvoltage category				III
Rated impulse withstand voltage U_{imp}			kV	4
Dielectric strength		50 Hz 1 min.	kV	1.5
Impulse command		Min. impulse duration	ms	100
Terminals				
Voltage supply wiring for U_e				
Cross section		Solid/stranded	mm ²	PE - N - L 1.5 - 2.5
Short-circuit protection device		Max. MCB	A	C16
Control terminal				
Cross section		Solid/stranded	mm ²	C - II - I - 0 1.5 - 2.5
Maximum cable length			m	100
Terminal for state information				
Terminal for state information		Solid/stranded	mm ²	1.5
Also used with the OMD automatic control unit		Rating	A	3
Common, voltage supply	1			AC-1/250V
Position of switch I	2			
Position of switch II	3			
Handle attached or motor operator locked	4			
Short-circuit protection device		Max. MCB	A	C2
Control terminal for OMD automatic control unit				
Control terminal for OMD automatic control unit		Solid/stranded	mm ²	1.5 - 2.5
Common, voltage supply from motor operator	1		V DC	24
Close switch I or open switch II	2		V DC mW	24 500
Close switch II or open switch I	3		V DC mW	24 500
Operating temperature			°C	-25...+55
Transportation and storage temperature			°C	-40...+70
Max. altitude			m	2 000
Protection degree (front panel)				IP20

¹⁾ Under nominal conditions

Motorized change-over switches

Motor operator performance data for OTM160...3200_C

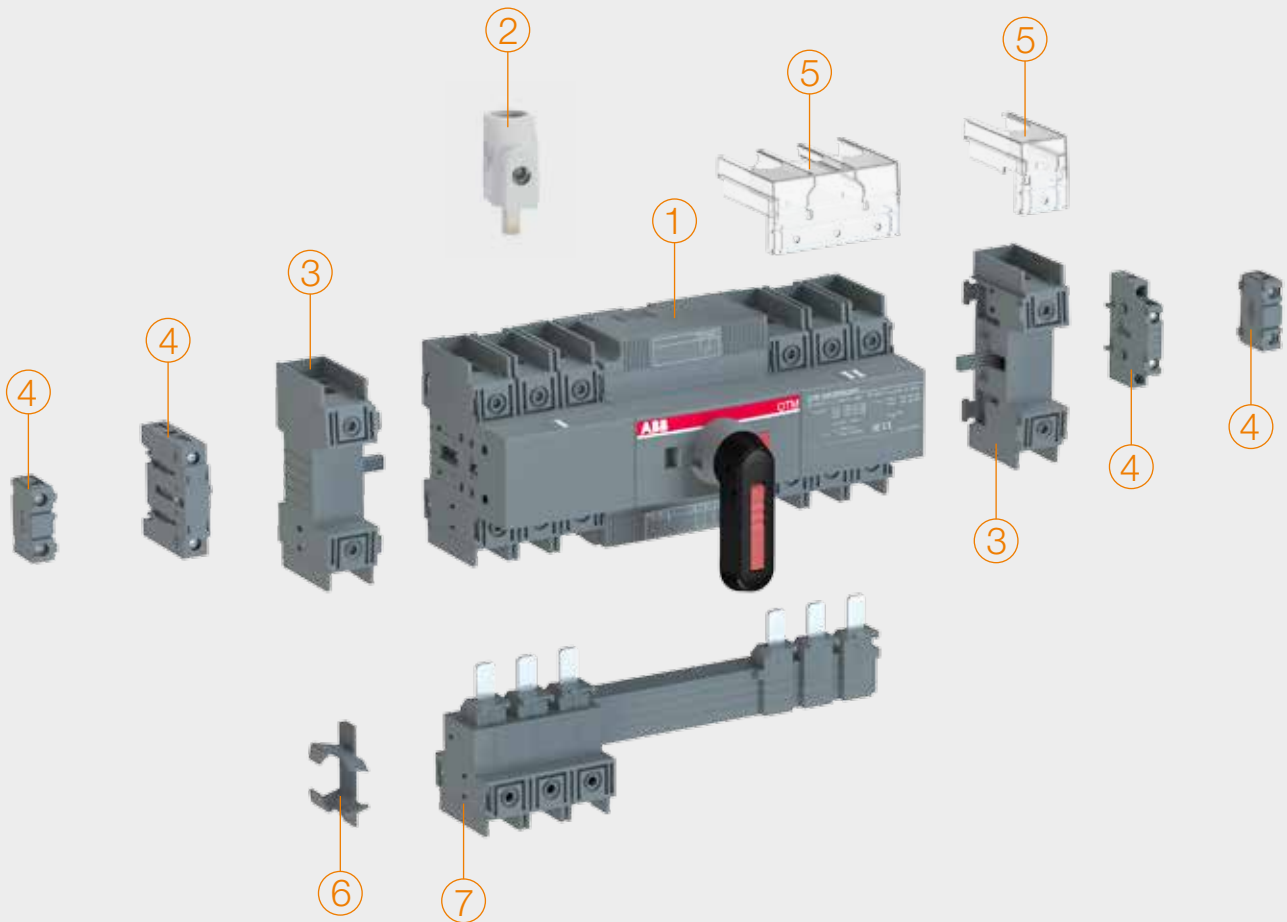
Motor operator

Data according to IEC 60947				Switch size					
				160...250	315...400	630...800	1000...1600	2000...3200	
Rated operational voltage U_e	Pollution degree 3	50/60 Hz	V AC V AC/DC V DC V DC	220 - 240 110 - 125 48 24					
Operating voltage range				0,85 - 1,1 x U_e					
Operating time ¹⁾	90° I-0, 0-I, 0-II, II-0	220-240VAC	s	0.4-1.0	0.4-1.0	0.4-1.0	0.5-1.5	0.5-1.5	
		110-125VAC/DC	s	0.5-1.5	0.5-1.5	0.6-1.2	0.5-1.5	0.5-1.5	
		48VDC	s	0.5-1.5	0.4-1.0	0.6-1.6	0.5-1.5	0.5-1.5	
		24VDC	s	0.4-1.0	0.4-1.0	0.5-1.5	1.0-2.0	1.0-2.0	
Operating transfer time ¹⁾	180° I-0-II, II-0-I	220-240VAC	s	1.0-2.0	0.9-2.0	0.9-2.0	1.5-3.0	1.5-3.0	
		110-125VAC/DC	s	1.1-2.5	1.2-2.6	1.2-3.0	1.5-3.0	1.5-3.0	
		48VDC	s	1.4-2.5	1.0-2.0	1.3-3.0	1.5-3.0	1.5-3.0	
		24VDC	s	1.0-2.0	1.0-2.0	1.1-2.5	2.0-3.5	2.0-3.5	
OFF -time when operating I-II or II-I ¹⁾	180° I-II, II-I	220-240VAC	s	0.4-1.0	0.4-1.0	0.4-1.0	0.5-1.5	0.5-1.5	
		110-125VAC/DC	s	0.4-1.1	0.5-1.5	0.6-1.5	0.5-1.5	0.5-1.5	
		48VDC	s	0.5-1.1	0.4-1.0	0.7-1.6	0.5-1.5	0.5-1.5	
		24VDC	s	0.4-1.0	0.4-1.0	0.5-1.5	0.8-1.7	0.8-1.7	
Nominal current I_n ¹⁾			220-240VAC	A	0.2	0.5	0.7	1.8	1.8
			110-125VAC/DC	A	0.5	0.6	0.8	3.0	3.0
			48VDC	A	1.1	2.1	2.6	5.3	5.3
			24VDC	A	3.3	4.2	4	8.0	8.0
Current inrush ¹⁾			220-240VAC	A	1.3	2.1	2.8	7.7	7.7
			110-125VAC/DC	A	2.1	2.5	4.6	13.3	13.3
			48VDC	A	4.4	8.3	8.4	22.4	22.4
			24VDC	A	16.8	17.5	22.4	26.6	26.6
Overload fuse	Type / I_n / Capacity	220-240VAC	mA	T/315/H	T/500/H	T/1 000/H	T/2 000/H	T/2 000/H	
		110-125VAC/DC	mA	T/500/H	T/630/H	T/1 000/H	T/4 000/H	T/4 000/H	
		48VDC	A	T/1,25/H	T/2,5/H	T/2,5/H	T/5/H	T/5/H	
		24VDC	A	T/4,0/H	T/5,0/H	T/5,0/H	T/10/H	T/10/H	
	Size		mm	5x20	5x20	5x20	5x20	5x20	
Operating rate	Cycle 0-I-0-II-0, max. continuous	220-240VAC	cycles/min	1	1	1	0.5	0.5	
		110-125VAC/DC	cycles/min	1	1	1	0.5	0.5	
		48VDC	cycles/min	1	1	1	0.5	0.5	
		24VDC	cycles/min	1	1	1	0.5	0.5	
	Max. short-time, ≤ 10 cycles	220-240VAC	cycles/min	10	10	10	5	5	
		110-125VAC/DC	cycles/min	10	10	10	5	5	
		48VDC	cycles/min	10	10	10	5	5	
		24VDC	cycles/min	10	10	10	5	5	
Overvoltage category				III					
Rated impulse withstand voltage U_{imp}				4					
Dielectric strength	50 Hz 1 min.				1.5				
Impulse command	Min. impulse duration				100				
Terminals									
Voltage supply wiring for U_e				PE - N - L					
Cross section	solid/stranded	mm ²		1.5 - 2.5					
Short-circuit protection device	max. MCB		A	C16					
Control terminal (no SELV)				C - II - I - 0					
Cross section	solid/stranded	mm ²		1.5 - 2.5					
Maximum cable length				100					
State information of locking (no SELV)									
Handle attached or motor operator locked	11-12-14 (C/O)				5A/250V/cosφ=1				
Locking motor operator	23-24 (NO)				5A/250V/cosφ=1				
Short-circuit protection device	Max. MCB		A	C2					
Protection degree				IP20					
Operating temperature				°C -25...+55					
Transportation and storage temperature				°C -40...+70					
Max. altitude				m 2 000					

¹⁾ Under nominal conditions

Motorized change-over switches

Ordering information for OTM40...OTM125_CMA



Motorized change-over switch accessory guide

- | | |
|---|--|
| 1. Motorized change-over switch | 4. Auxiliary contact (Different types for left and right side) |
| 2. Terminal clamp including voltage sensing connector | 5. Terminal shroud |
| 3. Fourth pole | 6. Handle storage clip |
| | 7. Parallel connection kit |

Please note that not all listed accessories are automatically included in your order. See next page for recommendations.

Motorized change-over switches

Ordering information for OTM40...OTM125_CMA



OTM40...125F3C_



OTM40...125F4C_

Motorized change-over switches, open transition, OTM40...OTM125_CMA

Delivered with a handle for manual operation, a storage clip for the handle and male connectors for control circuit.

No. of poles	Rated current AC-21A, AC-22A ≤ 415V, I[A]	Rated power 400V S[kVA]	Rated current AC-31B/ AC-33B 415V, I[A]	Type	Order number	Weight/ unit [kg]
Motor voltage U_e 110...240 V AC/DC						
3	40	27	40/40	OTM40F3CMA230V	1SCA120096R1001	1.64
4	40	27	40/40	OTM40F4CMA230V	1SCA120102R1001	1.86
3	63	43	63/63	OTM63F3CMA230V	1SCA120095R1001	1.64
4	63	43	63/63	OTM63F4CMA230V	1SCA120101R1001	1.86
3	80	55	80/80	OTM80F3CMA230V	1SCA120093R1001	1.64
4	80	55	80/80	OTM80F4CMA230V	1SCA120100R1001	1.86
3	100	70	100/80	OTM100F3CMA230V	1SCA120071R1001	1.64
4	100	70	100/80	OTM100F4CMA230V	1SCA120098R1001	1.86
3	125	86	125/80	OTM125F3CMA230V	1SCA120070R1001	1.64
4	125	86	125/80	OTM125F4CMA230V	1SCA120097R1001	1.86
Motor voltage U_e 24 V DC						
3	40	27	40/40	OTM40F3CMA24D	1SCA124061R1001	1.64
4	40	27	40/40	OTM40F4CMA24D	1SCA124063R1001	1.86
3	63	43	63/63	OTM63F3CMA24D	1SCA124060R1001	1.64
4	63	43	63/63	OTM63F4CMA24D	1SCA124064R1001	1.86
3	80	55	80/80	OTM80F3CMA24D	1SCA124059R1001	1.64
4	80	55	80/80	OTM80F4CMA24D	1SCA124062R1001	1.86
3	100	70	100/80	OTM100F3CMA24D	1SCA124058R1001	1.64
4	100	70	100/80	OTM100F4CMA24D	1SCA124066R1001	1.86
3	125	86	125/80	OTM125F3CMA24D	1SCA124057R1001	1.64
4	125	86	125/80	OTM125F4CMA24D	1SCA124065R1001	1.86

Handles included as standard, cable cross section

Suitable for switches	Cable cross section [mm ²]	Handle
OTM40F_CM	2.5...25 or 2 x 2.5...16	OHB65D6CM
OTM63...125F_CM	10 ... 70	OHB65D6CM



OMZC_



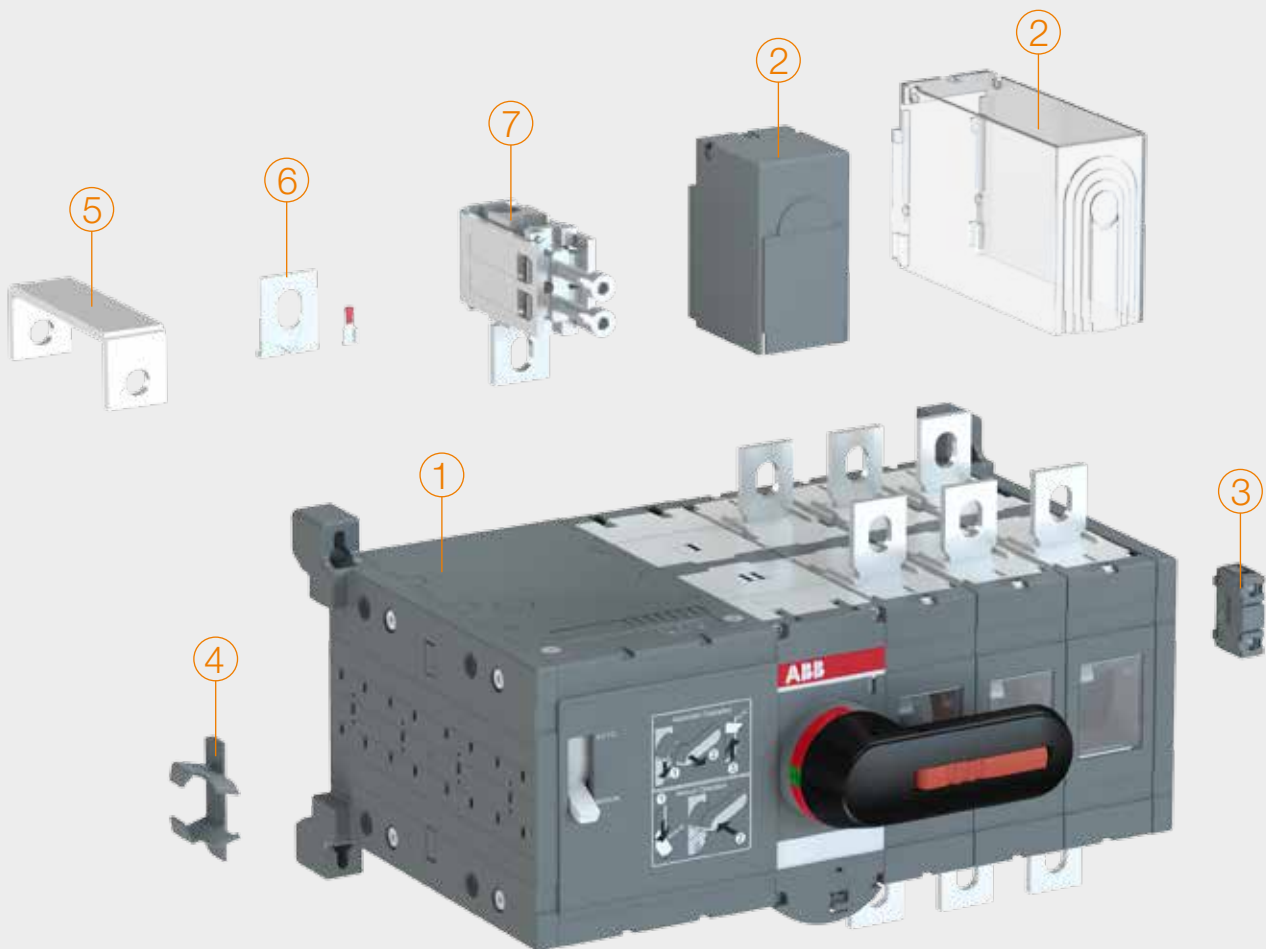
OZXT6

Recommended accessories: Parallel connection kits and terminal clamp

Suitable for switches	Cable cross section [mm ²]	Type	Order number	Units/ type [pcs]	Weight/ unit [kg]
OTM40F3C_	2.5...25/2x2.5...16	OMZC003	1SCA121324R1001	1	0.5
OTM40F4C_	2.5...25/2x2.5...16	OMZC004	1SCA121325R1001	1	0.65
OTM40...125F3C_	10...70	OMZC03	1SCA117037R1001	1	0.5
OTM40...125F4C_	10...70	OMZC04	1SCA117038R1001	1	0.65
OTM40...125F_	16...50 Al/2.5...50 Cu	OZXT6	1SCA122537R1001	3	0.06

Motorized change-over switches

Ordering information for OTM160...OTM3200_CM



Motorized change-over switch accessory guide

- | | |
|---------------------------------|-------------------------------|
| 1. Motorized change-over switch | 5. Bridging bar |
| 2. Terminal shroud | 6. Voltage sensing connectors |
| 3. Auxiliary contact | 7. Terminal clamp |
| 4. Storage for handle and fuses | |

Please note that not all listed accessories are automatically included in your order. See next page for recommendations.

Motorized change-over switches

Ordering information for OTM160...OTM400_CM



OTM160...250E2CM230V



OTM160...250E2WCM230V



OTM160...250E3CM230C



OTM160...250E4WCM230C



OTM315...400E3CM230V



OTM315...400E4CM230C

Motorized change-over switches, open transition, OTM160...OTM400_CM

Delivered with a handle for manual operation, bolt kit with nut and washers for all terminals and male connectors for control circuits.

Types OTM160...400E include a storage clip for the handle and spare fuses.

Types OTM160...250E_W are equipped with extended phase distance.



No. of poles	Rated current AC-21A, AC-22A ≤ 415V, I[A]	Rated power 400V S[kVA]	Rated current AC-31B/ AC-33B 415V, I[A]	Type	Order number	Weight/unit [kg]
Motor voltage U_e 220...240 V AC¹⁾						
2	160	110	160/160	OTM160E2CM230V	1SCA121216R1001	5.7
2	160	110	160/160	OTM160E2WCM230V	1SCA121218R1001	5.9
3	160	110	160/160	OTM160E3CM230C	1SCA022845R8610	6.6
3	160	110	160/160	OTM160E3WCM230C	1SCA022846R4000	6.9
4	160	110	160/160	OTM160E4CM230C	1SCA022848R1510	7.5
4	160	110	160/160	OTM160E4WCM230C	1SCA022846R7440	7.9
2	200	135	200/200	OTM200E2CM230V	1SCA121209R1001	5.7
2	200	135	200/200	OTM200E2WCM230V	1SCA121294R1001	5.9
3	200	135	200/200	OTM200E3CM230C	1SCA022845R8960	6.6
3	200	135	200/200	OTM200E3WCM230C	1SCA022846R3960	6.9
4	200	135	200/200	OTM200E4CM230C	1SCA022846R1590	7.5
4	200	135	200/200	OTM200E4WCM230C	1SCA022846R7870	7.9
2	250	170	250/250	OTM250E2CM230V	1SCA121211R1001	5.7
2	250	170	250/250	OTM250E2WCM230V	1SCA121220R1001	5.9
3	250	170	250/250	OTM250E3CM230C	1SCA022845R9260	6.6
3	250	170	250/250	OTM250E3WCM230C	1SCA022846R4770	6.9
4	250	170	250/250	OTM250E4CM230C	1SCA022846R1910	7.5
4	250	170	250/250	OTM250E4WCM230C	1SCA022846R8250	7.9
2	315	215	315/315	OTM315E2CM230V	1SCA121221R1001	9.7
3	315	215	315/315	OTM315E3CM230C	1SCA022847R1210	11.1
4	315	215	315/315	OTM315E4CM230C	1SCA022847R2870	12.5
2	400	275	400/400	OTM400E2CM230V	1SCA121226R1001	9.7
3	400	275	400/400	OTM400E3CM230C	1SCA022847R1630	11.1
4	400	275	400/400	OTM400E4CM230C	1SCA022847R3250	12.5

¹⁾ 2-pole versions, motor voltage U_e 220...240V AC/DC

Handles and bolt kits included as standard

Suitable for switches	Handle	Bolt kit
OTM160...250	OTV250ECMK	M8x25
OTM315...400	OTV400ECMK	M10x30

Recommended accessories: Bridging bars and voltage sensing connectors

See pages 69-70

Motorized change-over switches

Ordering information for OTM630...OTM3200_CM



OTM630...800E2CM230V



OTM630...800E3CM230C



OTM1000...1250E3CM230C



OTM1000...1250E4CM230C



OTM1600E2CM230V



OTM1600E4CM230C



OTM2000...2500E3CM230C



OTM2000...2500E4CM230C

Motorized change-over switches, open transition, OTM630...OTM3200_CM

Delivered with a handle for manual operation, bolt kit with nut and washers for all terminals and male connectors for control circuits. Types OTM630...3200E_ include a storage clip for the handle and spare fuses.



No. of poles	Rated current ¹⁾ AC-21A, AC-22A ≤ 415V, I[A]	Rated power 400V S[kVA]	Rated current AC-31B/ AC-33B 415V, I[A]	Type	Order number	Weight/ unit [kg]
Motor voltage U_e 220...240 V AC²⁾						
2	630	435	650/650	OTM630E2CM230V	1SCA121268R1001	19
3	630	435	650/650	OTM630E3CM230C	1SCA103567R1001	22
4	630	435	650/650	OTM630E4CM230C	1SCA022873R1990	25
2	800	550	720/650	OTM800E2CM230V	1SCA121270R1001	19
3	800	550	720/650	OTM800E3CM230C	1SCA103570R1001	22
4	800	550	720/650	OTM800E4CM230C	1SCA022872R8340	25
2	1000	680	1000/1000	OTM1000E2CM230V	1SCA121279R1001	45
3	1000	680	1000/1000	OTM1000E3CM230C	1SCA112677R1001	55
4	1000	680	1000/1000	OTM1000E4CM230C	1SCA112703R1001	65
2	1250	850	1250/1000	OTM1250E2CM230V	1SCA121293R1001	45
3	1250	850	1250/1000	OTM1250E3CM230C	1SCA112676R1001	55
4	1250	850	1250/1000	OTM1250E4CM230C	1SCA112702R1001	65
2	1600	1000	1600/1000	OTM1600E2CM230V	1SCA121280R1001	49
3	1600	1000	1600/1000	OTM1600E3CM230C	1SCA112678R1001	59
4	1600	1000	1600/1000	OTM1600E4CM230C	1SCA112704R1001	69
2	2000	1350		OTM2000E2CM230V	1SCA121289R1001	61
3	2000	1350		OTM2000E3CM230C	1SCA112709R1001	78
4	2000	1350		OTM2000E4CM230C	1SCA112712R1001	95
2	2500	1700		OTM2500E2CM230V	1SCA121291R1001	61
3	2500	1700		OTM2500E3CM230C	1SCA112710R1001	78
4	2500	1700		OTM2500E4CM230C	1SCA112713R1001	95
3	3200			OTM3200E3CM230C	1SCA129240R1001	83
4	3200			OTM3200E4CM230C	1SCA129242R1001	101

¹⁾ OTM2000...3200: Category AC-21B

²⁾ 2-pole versions, motor voltage U_e 220...240V AC/DC

Handles and bolt kits included as standard

Suitable for switches	Handle	Bolt kit
OTM630...800	OTV800ECMK	M12x40
OTM1000...2500	OTV1000ECMK	M12x60

Recommended accessories: Bridging bars and voltage sensing connectors

See pages 69-70

Motorized change-over switches

Ordering information for OTM160...OTM2500_CM



OTM160...250E3CM110V



OTM160...250E4WCM110V



OTM315...400E3CM110V



OTM630...800E4CM110V



OTM1000...1250E4CM110V



OTM1600E3CM230C



OTM2000...2500E4CM110V

Motorized change-over switches, open transition, OTM160...OTM2500_CM

Delivered with a handle for manual operation, bolt kit with nut and washers for all terminals and male connectors for control circuits. Types OTM160...2500E_ include a storage clip for the handle and spare fuses. Types OTM160...250E_W are equipped with extended phase distance.



No. of poles	Rated current ¹⁾ AC-21A, AC-22A ≤ 415V, I[A]	Rated power 400V S[kVA]	Rated current AC-31B/ AC-33B 415V, I[A]	Type	Order number	Weight/ unit [kg]
Motor voltage U_e 110...125 V AC/DC						
3	160	110	160/160	OTM160E3CM110V	1SCA022845R8530	6.6
3	160	110	160/160	OTM160E3WCM110V	1SCA022846R3450	6.9
4	160	110	160/160	OTM160E4CM110V	1SCA022846R1080	7.5
4	160	110	160/160	OTM160E4WCM110V	1SCA022846R7360	7.9
3	200	135	200/200	OTM200E3CM110V	1SCA022845R8880	6.6
3	200	135	200/200	OTM200E3WCM110V	1SCA022846R3880	6.9
4	200	135	200/200	OTM200E4CM110V	1SCA022846R1410	7.5
4	200	135	200/200	OTM200E4WCM110V	1SCA022846R7790	7.9
3	250	170	250/250	OTM250E3CM110V	1SCA022845R9180	6.6
3	250	170	250/250	OTM250E3WCM110V	1SCA022846R4690	6.9
4	250	170	250/250	OTM250E4CM110V	1SCA022846R1830	7.5
4	250	170	250/250	OTM250E4WCM110V	1SCA022846R8170	7.9
3	315	215	315/315	OTM315E3CM110V	1SCA022847R1120	11.1
4	315	215	315/315	OTM315E4CM110V	1SCA022847R2790	12.5
3	400	275	400/400	OTM400E3CM110V	1SCA022847R1550	11.1
4	400	275	400/400	OTM400E4CM110V	1SCA022847R3170	12.5
3	630	435	650/650	OTM630E3CM110V	1SCA022873R1050	22
4	630	435	650/650	OTM630E4CM110V	1SCA022873R1810	25
3	800	550	720/650	OTM800E3CM110V	1SCA022872R5750	22
4	800	550	720/650	OTM800E4CM110V	1SCA022872R8260	25
3	1000	680	1000/1000	OTM1000E3CM110V	1SCA113653R1001	55
4	1000	680	1000/1000	OTM1000E4CM110V	1SCA113656R1001	65
3	1250	850	1250/1000	OTM1250E3CM110V	1SCA113652R1001	55
4	1250	850	1250/1000	OTM1250E4CM110V	1SCA113655R1001	65
3	1600	1000	1600/1000	OTM1600E3CM110V	1SCA113654R1001	59
4	1600	1000	1600/1000	OTM1600E4CM110V	1SCA113657R1001	69
3	2000	1350		OTM2000E3CM110V	1SCA113683R1001	78
4	2000	1350		OTM2000E4CM110V	1SCA113685R1001	95
3	2500	1700		OTM2500E3CM110V	1SCA113684R1001	78
4	2500	1700		OTM2500E4CM110V	1SCA113686R1001	95

¹⁾ OTM2000...2500: Category AC-21B

Handles and bolt kits included as standard

Suitable for switches	Handle	Bolt kit
OTM160...250	OTV250ECMK	M8x25
OTM315...400	OTV400ECMK	M10x30
OTM630...800	OTV800ECMK	M12x40
OTM1000...2500	OTV1000ECMK	M12x60

Recommended accessories: Bridging bars and voltage sensing connectors

See pages 69-70

Motorized change-over switches

Ordering information for OTM160...OTM2500_CM



OTM160...250E3CM48D



OTM160...250E4WCM48D



OTM315...400E4CM48D



OTM630...800E3CM48D



OTM1000...1250E4CM48D



OTM1600E3CM48D



OTM2000...2500E4CM48D

Motorized change-over switches, open transition, OTM160...OTM2500_C

Delivered with a handle for manual operation, bolt kit with nut and washers for all terminals and male connectors for control circuits. Types OTM160...2500E_ include a storage clip for the handle and spare fuses. Types OTM160...250E_W are equipped with extended phase distance.



No. of poles	Rated current ¹⁾ AC-21A, AC-22A ≤ 415V, I[A]	Rated power 400V S[kVA]	Rated current AC-31B/ AC-33B 415V, I[A]	Type	Order number	Weight/ unit [kg]
Motor voltage U_e 48 V DC						
3	160	110	160/160	OTM160E3CM48D	1SCA022845R8450	6.6
3	160	110	160/160	OTM160E3WCM48D	1SCA022846R3370	6.9
4	160	110	160/160	OTM160E4CM48D	1SCA022846R0940	7.5
4	160	110	160/160	OTM160E4WCM48D	1SCA022846R7280	7.9
3	200	135	200/200	OTM200E3CM48D	1SCA022845R8700	6.6
3	200	135	200/200	OTM200E3WCM48D	1SCA022846R3700	6.9
4	200	135	200/200	OTM200E4CM48D	1SCA022846R1320	7.5
4	200	135	200/200	OTM200E4WCM48D	1SCA022846R7610	7.9
3	250	170	250/250	OTM250E3CM48D	1SCA022845R9000	6.6
3	250	170	250/250	OTM250E3WCM48D	1SCA022846R4510	6.9
4	250	170	250/250	OTM250E4CM48D	1SCA022846R1750	7.5
4	250	170	250/250	OTM250E4WCM48D	1SCA022846R8090	7.9
4	315	215	315/315	OTM315E4CM48D	1SCA022847R2610	11.1
3	400	275	400/400	OTM400E3CM48D	1SCA022847R1470	12.5
4	400	275	400/400	OTM400E4CM48D	1SCA022847R3090	11.1
3	315	215	315/315	OTM315E3CM48D	1SCA022847R1040	12.5
3	630	435	650/650	OTM630E3CM48D	1SCA022873R1300	22
4	630	435	650/650	OTM630E4CM48D	1SCA022873R2110	25
3	800	550	720/650	OTM800E3CM48D	1SCA022872R6050	22
4	800	550	720/650	OTM800E4CM48D	1SCA022872R8510	25
3	1000	680	1000/1000	OTM1000E3CM48D	1SCA113663R1001	55
4	1000	680	1000/1000	OTM1000E4CM48D	1SCA113666R1001	65
3	1250	850	1250/1000	OTM1250E3CM48D	1SCA113662R1001	55
4	1250	850	1250/1000	OTM1250E4CM48D	1SCA113665R1001	65
3	1600	1000	1600/1000	OTM1600E3CM48D	1SCA113664R1001	59
4	1600	1000	1600/1000	OTM1600E4CM48D	1SCA113667R1001	69
3	2000	1350		OTM2000E3CM48D	1SCA113689R1001	78
4	2000	1350		OTM2000E4CM48D	1SCA113691R1001	95
3	2500	1700		OTM2500E3CM48D	1SCA113690R1001	78
4	2500	1700		OTM2500E4CM48D	1SCA113692R1001	95

¹⁾ OTM2000...2500: Category AC-21B

Handles and bolt kits included as standard

Suitable for switches	Handle	Bolt kit
OTM160...250	OTV250ECMK	M8x25
OTM315...400	OTV400ECMK	M10x30
OTM630...800	OTV800ECMK	M12x40
OTM1000...2500	OTV1000ECMK	M12x60

Recommended accessories: Bridging bars and voltage sensing connectors

See pages 69-70

Motorized change-over switches

Ordering information for OTM160...OTM2500_CM



OTM160...250E3CM24D



OTM160...250E4WCM24D



OTM315...400E4CM24D



OTM630...800E3CM24D



OTM1000...1250E4CM24D



OTM1600E3CM24D



OTM2000...2500E4CM48D

Motorized change-over switches, open transition, OTM160...OTM2500_C

Delivered with a handle for manual operation, bolt kit with nut and washers for all terminals and male connectors for control circuits. Types OTM160...2500E_ include a storage clip for the handle and spare fuses. Types OTM160...250E_W are equipped with extended phase distance.



No. of poles	Rated current ¹⁾ AC-21A, AC-22A ≤ 415V, I[A]	Rated power 400V S[kVA]	Rated current AC-31B/ AC-33B 415V, I[A]	Type	Order number	Weight/ unit [kg]
Motor voltage U_e 24 V DC						
3	160	110	160/160	OTM160E3CM24D	1SCA022845R8110	6.6
3	160	110	160/160	OTM160E3WCM24D	1SCA022846R3290	6.9
4	160	110	160/160	OTM160E4CM24D	1SCA022846R0860	7.5
4	160	110	160/160	OTM160E4WCM24D	1SCA022846R7100	7.9
3	200	135	200/200	OTM200E3CM24D	1SCA022845R8290	6.6
3	200	135	200/200	OTM200E3WCM24D	1SCA022846R3610	6.9
4	200	135	200/200	OTM200E4CM24D	1SCA022846R1240	7.5
4	200	135	200/200	OTM200E4WCM24D	1SCA022846R7520	7.9
3	250	170	250/250	OTM250E3CM24D	1SCA022845R8370	6.6
3	250	170	250/250	OTM250E3WCM24D	1SCA022846R4420	6.9
4	250	170	250/250	OTM250E4CM24D	1SCA022846R1670	7.5
4	250	170	250/250	OTM250E4WCM24D	1SCA022846R7950	7.9
3	315	215	315/315	OTM315E3CM24D	1SCA022847R0910	11.1
4	315	215	315/315	OTM315E4CM24D	1SCA022847R2520	12.5
3	400	275	400/400	OTM400E3CM24D	1SCA022847R1390	11.1
4	400	275	400/400	OTM400E4CM24D	1SCA022847R2950	12.5
3	630	435	650/650	OTM630E3CM24D	1SCA022873R1210	22
4	630	435	650/650	OTM630E4CM24D	1SCA022873R2020	25
3	800	550	720/650	OTM800E3CM24D	1SCA022872R5910	22
4	800	550	720/650	OTM800E4CM24D	1SCA022872R8420	25
3	1000	680	1000/1000	OTM1000E3CM24D	1SCA113672R1001	55
4	1000	680	1000/1000	OTM1000E4CM24D	1SCA113675R1001	65
3	1250	850	1250/1000	OTM1250E3CM24D	1SCA113671R1001	55
4	1250	850	1250/1000	OTM1250E4CM24D	1SCA113674R1001	65
3	1600	1000	1600/1000	OTM1600E3CM24D	1SCA113673R1001	59
4	1600	1000	1600/1000	OTM1600E4CM24D	1SCA113676R1001	69
3	2000	1350		OTM2000E3CM24D	1SCA113695R1001	78
4	2000	1350		OTM2000E4CM24D	1SCA113697R1001	95
3	2500	1700		OTM2500E3CM24D	1SCA113696R1001	78
4	2500	1700		OTM2500E4CM24D	1SCA113698R1001	95

¹⁾ OTM2000...2500: Category AC-21B

Handles and bolt kits included as standard

Suitable for switches	Handle	Bolt kit
OTM160...250	OTV250ECMK	M8x25
OTM315...400	OTV400ECMK	M10x30
OTM630...800	OTV800ECMK	M12x40
OTM1000...2500	OTV1000ECMK	M12x60

Recommended accessories: Bridging bars and voltage sensing connectors

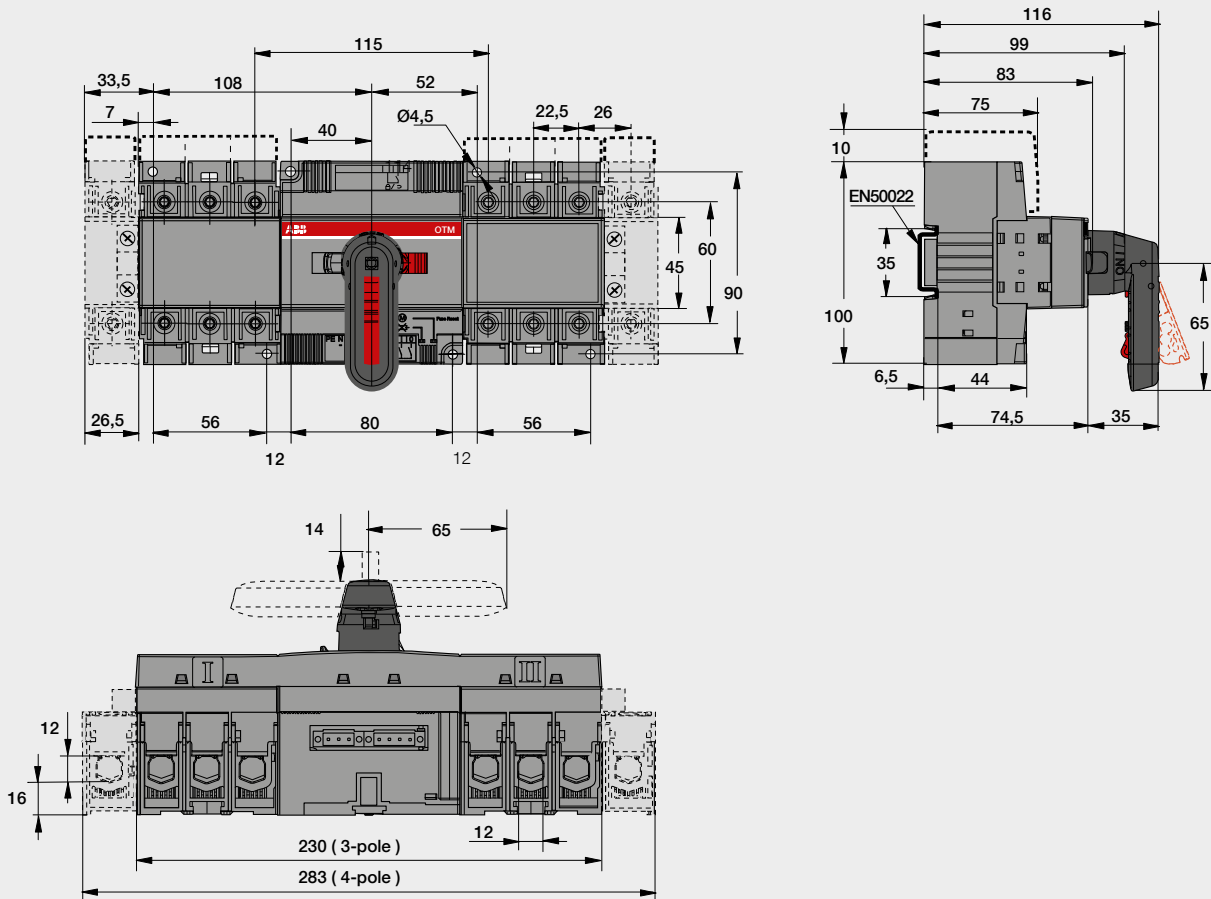
See pages 69-70

Motorized change-over switches

Dimensional drawings

OTM40...125F3/4_CM

M00352/OTM30-125F_C_M A

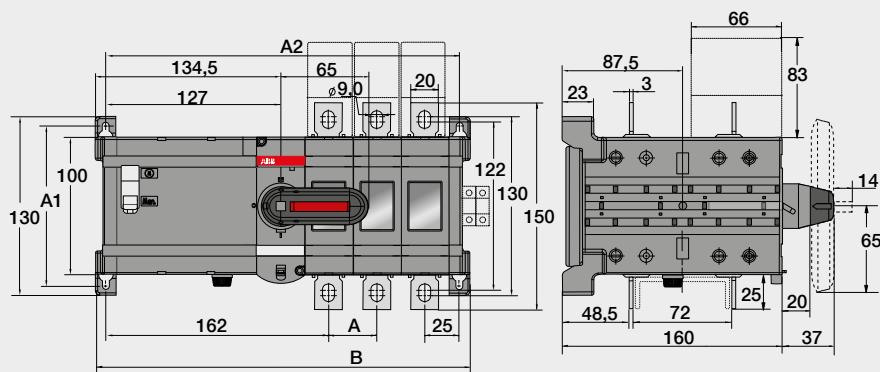


OTM160...250E2/3/4CM

OTM160-250_C_M

[mm]	E2	E3	E4
A	35	35	35
A1	116	116	116
A2	223	258	293
B	238	273	308

M00111 / OTM160-250E_C_M E



Motorized change-over switches

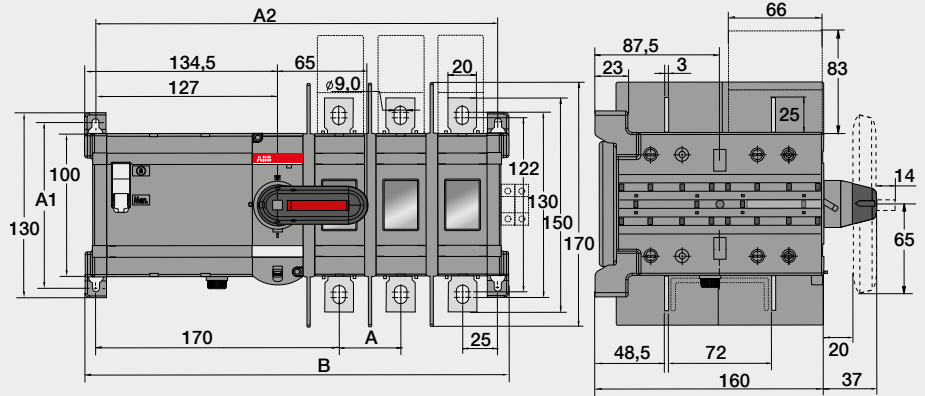
Dimensional drawings

OTM160...250E2/3/4WCM

OTM160-250_WCM

[mm]	E2	E3	E4
A	43	43	43
A1	116	116	116
A2	239	282	325
B	254	297	340

M00115 / OTM160-250E_WCM E

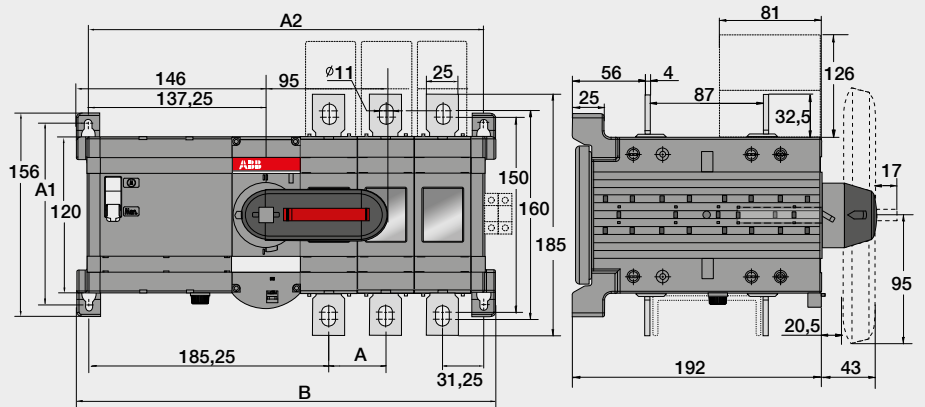


OTM315...400E2/3/4CM

OTM315-400_C_M

[mm]	E2	E3	E4
A	44	44	44
A1	142	142	142
A2	261	305	349
B	280	323	367

M00113 / OTM315-400E_C_M F

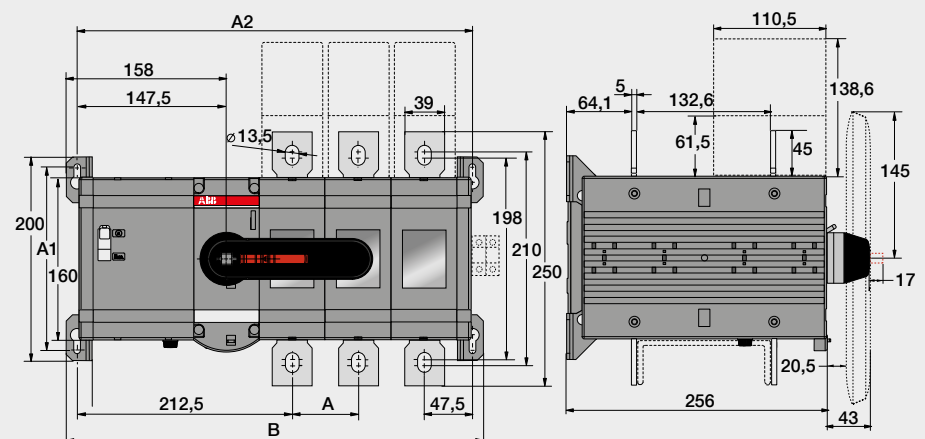


OTM630...800E2/3/4CM

OTM630-800E_C_M

[mm]	E2	E3	E4
A	65	65	65
A1	180	180	180
A2	325	390	455
B	346	411	476

M00140 / OTM630-800E02-04C_M C



Motorized change-over switches

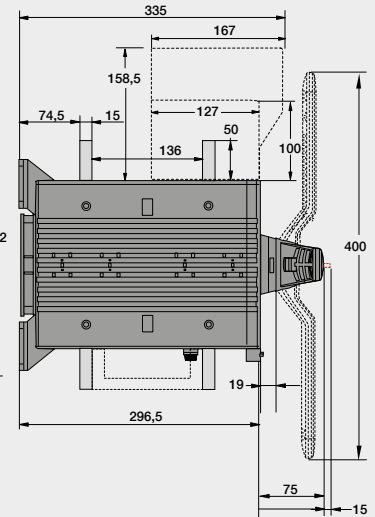
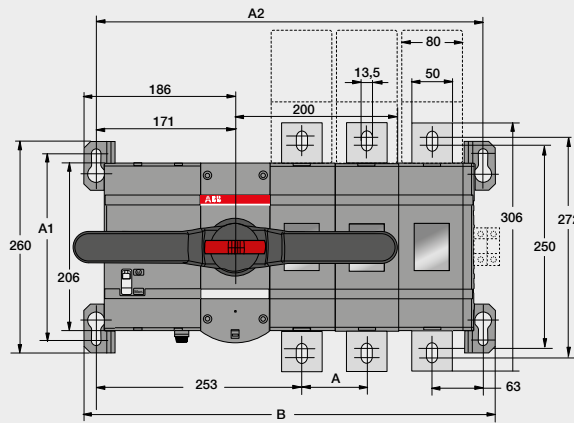
Dimensional drawings

OTM1000...1250E2/3/4CM

OTM1000-1250_C_M

[mm]	E2	E3	E4
A	80	80	80
A1	230	230	230
A2	296,5	476,5	556,5
B	426,5	506,5	586,5

M00256 / OTM1000-1250E_C_M C

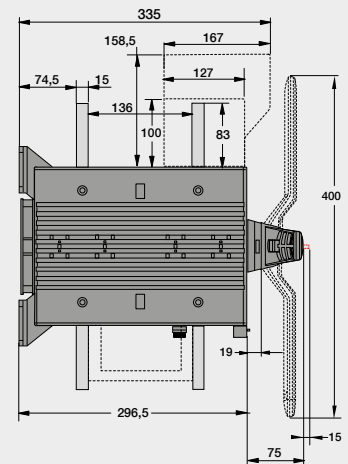
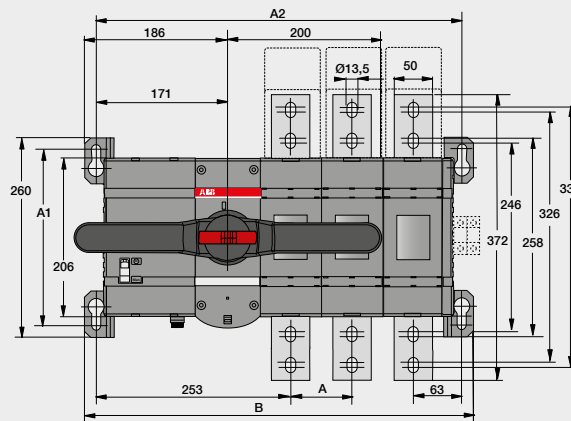


OTM1600E2/3/4CM

OTM1600_C_M

[mm]	E2	E3	E4
A	80	80	80
A1	230	230	230
A2	396,6	476,5	556,5
B	426,5	506,5	586,5

M00258 / OTM1600E_C_M C



Motorized change-over switches

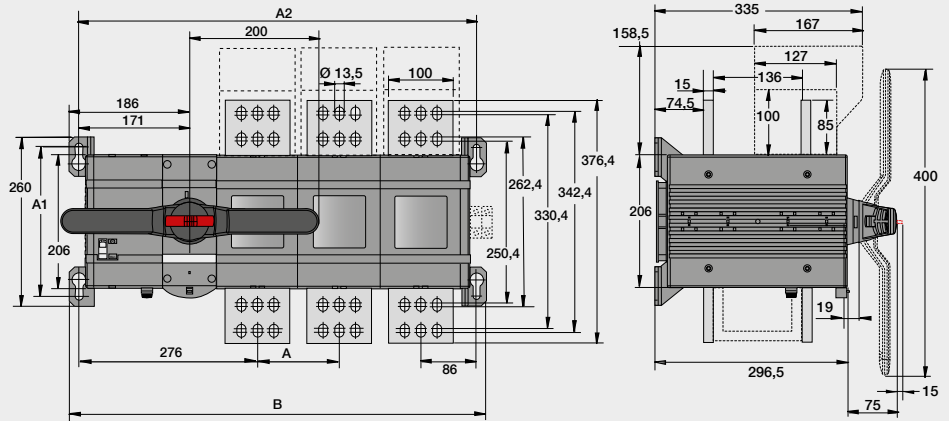
Dimensional drawings

OTM2000...2500E3/4CM

OTM2000-2500_C_M

[mm]	E2	E3	E4
A	126	126	126
A1	230	230	230
A2	488,5	614,5	740,5
B	518,5	644,5	770,5

M00259 / OTM2000-2500E_C_M C

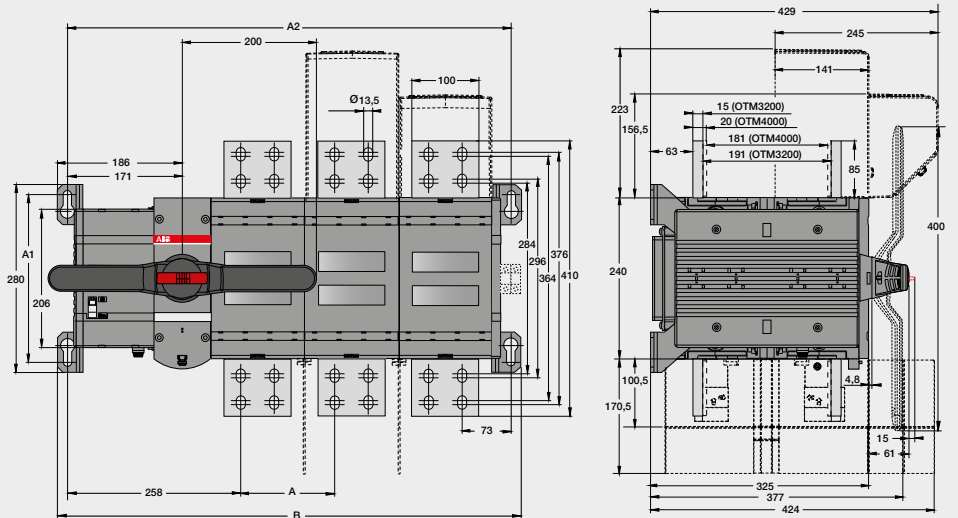


OT3200E2/3/4CM A

OTM3200_C_M

[mm]	E2	E3	E4
A	140	140	140
A1	250	250	250
A2	521,5	661,5	801,5
B	551,5	691,5	831,5

M00432/OTM3200-4000_C_M A



Optional accessories for motorized change-over switches

Ordering information for handles and storage clips



OTV400ECMK

Plastic handle, direct mounting, indication I-O-II

Includes a shaft and a mechanism cover. The type and ordering numbers are for one piece.

Suitable for switches	Colour	Type	Order number	Delivery batch [pcs]	Weight/unit [kg]
Padlockable with three padlocks in 0-position. Types -ECMK include also microswitches.					
OTM160...250_C	Black	OTV250ECMK	1SCA022804R0570	1	0.10
OTM315...400_C	Black	OTV400ECMK	1SCA022843R2900	1	0.28
OTM630...800_C	Black	OTV800ECMK	1SCA022804R3410	1	0.32
OTM1000...2500_C	Black	OTV1000ECMK	1SCA111301R1001	1	0.77



OTVS0

Handle and spare fuse storage clip for motorized change-over switches

OTM40...125F_, the handle can be stored in the handle storage clip OTVS0. The clip can be fixed to a panel frame using the included adhesive tape. OTM160...3200E_, the handle and two spare fuses can be stored in the OTVS1 and OTVS2. OTVS1 and OTVS2 can be installed onto the left side of the switch. Snap-on mounting, no tools required. On OTM160...3200E_, the size of the handle prevents the installation onto the switch frame. However, the handle clip can be installed separately onto the panel frame and the fuse holder clip onto the switch frame.



OTVS1

Suitable for switches	Type	Order number	Units/type [pcs]	Weight/unit [kg]
OTM40...125F	OTVS0	1SCA117524R1001	1	0.02
OTM160...250E_	OTVS1	1SCA111413R1001	1	0.02
OTM315...3200E_	OTVS2	1SCA111414R1001	1	0.04

Optional accessories for motorized change-over switches

Ordering information for terminal shrouds



OTS_T3



OTS_T1



OTS_L_



OTS_S_

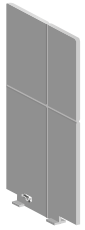
Terminal shrouds, grey plastic

Snap-on mounting to the switches, IP 20. A kit includes three or four shrouds which can be used on either side of the switch. Suitable for the upperswitch. Transparent shrouds for OTM160...3200 available on request, please replace the letter "G" with "T".

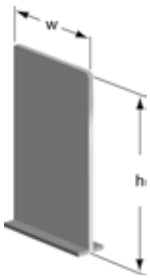
Suitable for switches	No. of poles	Description	Type	Order number	Units/ type [pcs]	Weight/ unit [kg]
OTM40...125F_			OTS125T3	1SCA022379R9680	10	0.01
OT_160...250_C	3	Long type	OTS250G1L/3	1SCA022731R8150	3	0.09
OT_160...250_C	3	Short type	OTS250G1S/3	1SCA022731R8310	3	0.06
OT_160...250_C	4	Long type	OTS250G1L/4	1SCA022731R8230	4	0.12
OT_160...250_C	4	Short type	OTS250G1S/4	1SCA022731R8400	4	0.08
OT_315...400_C	3	Long type	OTS400G1L/3	1SCA022736R8840	3	0.15
OT_315...400_C	3	Short type	OTS400G1S/3	1SCA022736R9060	3	0.09
OT_315...400_C	4	Long type	OTS400G1L/4	1SCA022736R9490	4	0.20
OT_315...400_C	4	Short type	OTS400G1S/4	1SCA022736R9650	4	0.12
OT_600...800_C	3	Long type	OTS800G1L/3	1SCA022776R7890	3	0.32
OT_600...800_C	3	Short type	OTS800G1S/3	1SCA022776R8190	3	0.17
OT_600...800_C	4	Long type	OTS800G1L/4	1SCA022776R7970	4	0.42
OT_600...800_C	4	Short type	OTS800G1S/4	1SCA022776R8270	4	0.26
OT_1000...1600_C	3	Long type	OTS1600G1L/3	1SCA022871R9510	3	0.64
OT_1000...1600_C	3	Short type	OTS1600G1S/3	1SCA022871R9600	3	0.37
OT_1000...1600_C	4	Long type	OTS1600G1L/4	1SCA022871R9780	4	0.85
OT_1000...1600_C	4	Short type	OTS1600G1S/4	1SCA022871R9860	4	0.49
OT_2000...2500_C	3	Long type	OTS2500G1L/3	1SCA107261R1001	3	0.77
OT_2000...2500_C	3	Short type	OTS2500G1S/3	1SCA107260R1001	3	0.47
OT_2000...2500_C	4	Long type	OTS2500G1L/4	1SCA107262R1001	4	1.00
OT_2000...2500_C	4	Short type	OTS2500G1S/4	1SCA107271R1001	4	0.61
OT3200_C	3	Long type	OTS4000G1L/3	1SCA129042R1001	3	1.20
OT3200_C	3	Short type	OTS4000G1S/3	1SCA129044R1001	3	1.00
OT3200_C	4	Long type	OTS4000G1L/4	1SCA129043R1001	4	1.40
OT3200_C	4	Short type	OTS4000G1S/4	1SCA129045R1001	4	1.60

Optional accessories for motorized change-over switches

Ordering information for phase barriers



OTB_



PB_

Phase barriers

The phase barriers designed for ABB Tmax T4-T5 MCCB's can also be used for OT_160...800 change-over switches. 3-pole change-overs need 8 barriers for full protection and 4-pole change-overs need 12 barriers for full protection.

Suitable for switches	No. of poles	Height h [mm]	Cutting width W of the phase barrier [mm]	Type	Order number	Units/type [pcs]
OT_160...250E_C	3	100	55	PB100 low	1SDA054970R1	4
OT_160...250E_C	3	200	55	PB200 high	1SDA054972R1	4
OT_160...250E_C	4	100	55	PB100 low	1SDA054971R1	6
OT_160...250E_C	4	200	55	PB200 high	1SDA054973R1	6
OT_315...400E_C	3	100	67	PB100 low	1SDA054970R1	4
OT_315...400E_C	3	200	67	PB200 high	1SDA054972R1	4
OT_315...400E_C	4	100	67	PB100 low	1SDA054971R1	6
OT_315...400E_C	4	200	67	PB200 high	1SDA054973R1	6
OT_600...800E_C	3	100	90	PB100 low	1SDA054970R1	4
OT_600...800E_C	3	200	90	PB200 high	1SDA054972R1	4
OT_600...800E_C	4	100	90	PB100 low	1SDA054971R1	6
OT_600...800E_C	4	200	90	PB200 high	1SDA054973R1	6

Ordering information for terminal clamps



OZXT1



OZXT2...3



OZXT6

Terminal clamp sets for Al- and Cu-cables insulated versions

Suitable for switches	Cable cross section [mm ²]	Type	Order number	Units/type [pcs]	Weight/unit [kg]
OTM40...125F_	16...50 Al/2.5...50 Cu	OZXT1	1SCA022469R6310	3	0.06
OTM63...125F_	16...120 Al/Cu	OZXT2	1SCA022620R7200	3	0.21
OTM63...125F_	2x(16...50) Al/Cu	OZXT3	1SCA022639R0720	3	0.21
Including 0.75...2.5 mm² voltage sensing connection. Voltage sensing wires are not included					
OTM40...125F_	16...50 Al/2.5...50 Cu	OZXT6	1SCA122537R1001	3	0.06

Optional accessories for motorized change-over switches

Ordering information for bridging- and reversing bars



OTZC13...34



OTZC43...44
OTZC53...54

Bridging bars

The bridging bars provide a connection link either on the incoming or outgoing side of the switch.

Suitable for switches	No. of poles	Type	Order number	Units/ type [pcs]	Weight/ unit [kg]
OT_160...250_C	3	OTZC13	1SCA022767R6910	3	0.6
OT_160...250_C	4	OTZC14	1SCA022767R7040	4	0.8
OT_315...400_C	3	OTZC23	1SCA022767R7120	3	0.6
OT_315...400_C	4	OTZC24	1SCA022767R7210	4	0.8
OT_600_C...800E_C	3	OTZC33	1SCA022785R7020	3	1.0
OT_600_C...800E_C	4	OTZC34	1SCA022785R7110	4	1.3
OT_1000...1250E_C	3	OTZC43	1SCA022868R0710	3	4.2
OT_1000...1250E_C	4	OTZC44	1SCA022868R0800	4	5.6
OT800U_ OT_1600E_C	3	OTZC53	1SCA022868R0980	3	5.6
OT800U_ OT_1600E_C	4	OTZC54	1SCA022868R1010	4	7.4
OT_2000...2500E_C	3	OTZC63	1SCA022868R1100	3	10.8
OT_2000...2500E_C	4	OTZC64	1SCA022868R1360	4	14.5
OT_3200E_C	3	OTZC73	1SCA128843R1001	3	14.1
OT_3200E_C	4	OTZC74	1SCA128844R1001	4	18.7

Correct mounting of bridging bars onto the switch shown here.



OTZR_

Reversing bars

A reversing switch can be built by using phase sequence bars in two phases.

The kit includes two phase sequence conversion bars. The missing bridging bars must be ordered separately, see above. For example 3-pole switches: one 4-pole standard bridging bar kit is required (one bar for the reversing side, three bars for the other side).

Suitable for switches	Type	Order number	Units/ type [pcs]	Weight/ unit [kg]
OT_160...250_C	OTZR1	1SCA100352R1001	2	0.3
OT_315...400_C	OTZR2	1SCA104647R1001	2	0.3
OT_600_C...800E_C	OTZR3	1SCA100355R1001	2	0.4

Optional accessories for motorized change-over switches

Ordering information for voltage sensing connector



OMZB18...28

Voltage sensing connectors*

For 0.5...1.5mm² voltage sensing connection of the top or bottom power poles.
The connector package includes also the faston terminals (see the picture).
One package includes 8 connectors and 8 faston terminals. Wires are not included.



OMZB38

Suitable for switches	Faston terminal cable cross section [mm ²]	Type	Order number	Units/type [pcs]	Weight/unit [kg]
OT_160...250_C	0.5...1.5	OMZB18	1SCA120153R1001	8	0.2
OT_315...400_C	0.5...1.5	OMZB28	1SCA120154R1001	8	0.2
OT_630...800E_C	0.5...1.5	OMZB38	1SCA120155R1001	8	0.2
OT_1000...3200_C	0.5...1.5	OMZB48	1SCA120156R1001	8	0.2

* Terminal clamp OZXT6 is recommended to use with OTM40...125_C for voltage sensing connection.
Terminal clamp OZXT6 includes 0.75...2.5 mm² voltage sensing connection. See ordering information on page 55.

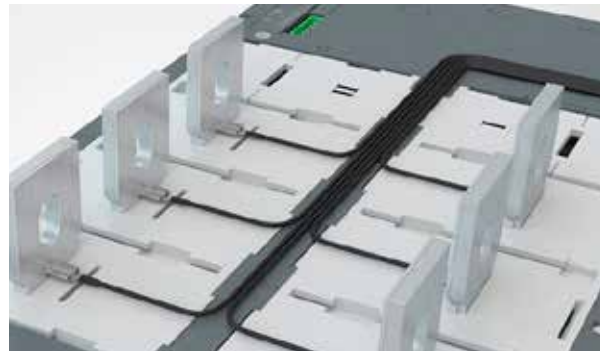


OMZB18...28

Correct mounting of voltage sensing connectors onto the switch shown here.



OMZB48



Ordering information for parallel connection kits



OMZC_

Parallel connection kits

Finger protected connection bars for parallel connection of the upper or lower terminals.
The bars accept additional cables, the maximum size is stated below.

Suitable for switches	Cable cross section [mm ²]	Type	Order number	Units/type [pcs]	Weight/unit [kg]
OTM40F3C_	2.5...25/2x2.5...16	OMZC003	1SCA121324R1001	1	0.5
OTM40F4C_	2.5...25/2x2.5...16	OMZC004	1SCA121325R1001	1	0.65
OTM40...125F3C_	10...70	OMZC03	1SCA117037R1001	1	0.5
OTM40...125F4C_	10...70	OMZC04	1SCA117038R1001	1	0.65

Optional accessories for motorized change-over switches

Ordering information and technical data for auxiliary contacts



OA1G01
OA7G10



OA1G10
OA8G01



OA2G11

Auxiliary contact blocks for OTM40...125F

Snap-on mounting to the switch, IP 20, max. 2 blocks/ side. $I_{th} = 16$ A, suitable for cable cross sections max. $2 \times 2,5$ mm². Simultaneous action with the main contacts.

Suitable for switches	Contact functions	Installation side	Type	Order number	Delivery batch [pcs]	Weight/unit [kg]
OT_16...125F_C	1NO	Right	OA1G10	1SCA022353R4970	10	0.03
OT_16...125F_C	1NC	Right	OA8G01	1SCA022744R2240	10	0.03
OT_16...125F_C	1NO	Left	OA7G10	1SCA022673R1140	10	0.03
OT_16...125F_C	1NC	Left	OA1G01	1SCA022353R4890	10	0.03
OT63...125F3C	1NO+1NC	Either	OA2G11 ¹⁾	1SCA022379R8100	10	0.03

¹⁾ Not mountable on 4-pole change-over switches

Auxiliary contact blocks for OTM160...3200

Mounting on the right side of the switch: Max. 4 auxiliary contact blocks/switch (totally 8 blocks). Types _AU have gold plated contacts for harsh environments and low operating voltages. Simultaneous action with the main contacts, IP20.

Suitable for switches	Contact functions	Installation side	Type	Order number	Delivery batch [pcs]	Weight/unit [kg]
OT_160...3200_	1NO	Right	OA1G10	1SCA022353R4970	10	0.03
OT_160...3200_	1NC	Right	OA3G01	1SCA022456R7410	10	0.03
OT_160...3200_	1NO	Right	OA1G10AU	1SCA022436R7910	10	0.03
OT_160...3200_	1NC	Right	OA3G01AU	1SCA022819R5260	10	0.03

Auxiliary contacts

Technical data for auxiliary contacts according to IEC 60947-5-1, for OA1G_, OA2G_, OA3G_, OA7G_, OA8G_

AC15		DC12			DC13	
U_e /[V]	I_e /[A]	U_e /[V]	I_e /[A]	P/[W]	I_e /[A]	P/[W]
230	6	24	10	240	2	50
400	4	72	4	290	0.8	60
415	4	125	2	250	0.55	70
690	2	250	0.55	140	0.27	70
		440	0.1	44		

Function tables

Function table of OT160...3200, OT160...800_Y and OTM160...2500 auxiliary contacts / Switch I (max. 2+2)

Handle position	Main contacts	OA1G10 NO	OA3G01 NC
I	closed	closed	open
0	open	open	closed
II	closed	open	closed

Function table of OT160...3200, OT160...800_Y and OTM160...2500 auxiliary contacts / Switch II (max. 2+2)

Handle position	Main contacts	OA1G10 NO	OA3G01 NC
I	closed	open	closed
0	open	open	closed
II	closed	closed	open

Optional accessories for motorized change-over switches

Ordering information for automatic control units and related accessories



OMD200

Automatic control units

OMD automatic control units can be used with OTM160...3200 motorized change-over switches in order to assemble an automatic transfer switch. The type and ordering codes include the OMD control unit, PCB connectors and 2 OMZD1 fasteners for door mounting.

If used with OTM40...125_CMA_:

1 x OTM40...125_CMA_ motorized change-over switch and 2 or 3 x OZXT6 terminal clamp sets (including voltage sensing connection) must be ordered separately to be able to assemble an automatic transfer switch.

If used with OTM160...3200_CM_:

1 x OTM160...3200_CM_ motorized change-over switch, 1 x OMZB_ voltage sensing connectors and 2 x OA1G10 auxiliary contacts must be ordered separately to be able to assemble an automatic transfer switch. The control unit can be mounted on a door or on DIN rail.



OMD300



OMD800

Suitable for switches	Type	Order number	Units/type [pcs]	Weight/unit [kg]
OTM40...3200_CM_	OMD200E480C-A1	1SCA123789R1001	1	0.8
OTM40...3200_CM_	OMD300E480C-A1	1SCA123790R1001	1	1.0
OTM40...3200_CM_	OMD800E480C-A1	1SCA123791R1001	1	1.3

Panel fasteners

For mounting the OMD automatic control unit on the door. The type and ordering code is for 1 piece, so 2 units must be ordered for mounting the control on the door.



OMZD1

Suitable for OMD control unit	Type	Order number	Units/type [pcs]
OMD200_, OMD300_, OMD800_	OMZD1	1SCA022787R5190	1

Cover plate

Providing protection against accidental contact. Padlockable transparent cover. The type and ordering codes are for 1 piece.



OMZC2

Suitable for OMD control unit	Type	Order number	Units/type [pcs]
OMD200_, OMD300_, OMD800_	OMZC2	1SCA101001R1001	1

Optional accessories for motorized change-over switches

Technical data and dimensional drawings

for automatic control units

Technical data for automatic control units OMD200/300/800

OMD200 and OMD300

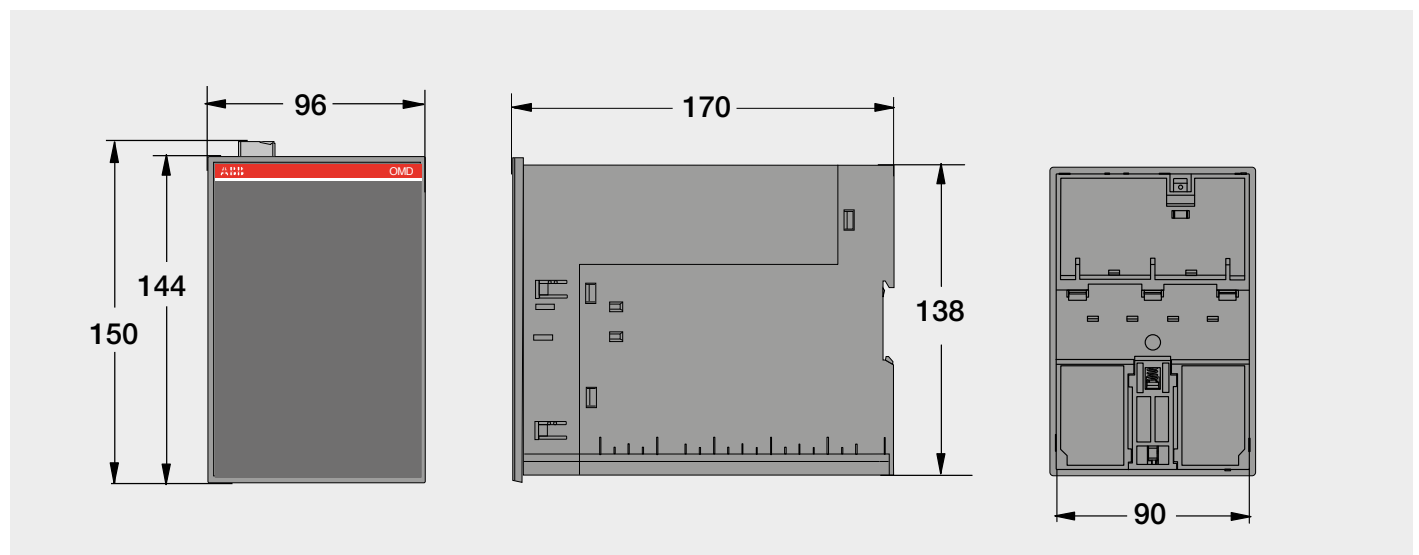
Rated operational voltage U_e		208 V AC - 480 V AC +/- 20% + N
	Phase - Neutral	120 V AC - 277 V AC +/- 20%
Rated frequency		50 / 60 Hz +/- 10%
Voltage sensing precision		5%
Frequency sensing precision		1%
Relay ratings:	X21, X22	12 A, AC1, 250 V / 12 A, DC1, 24 V
	X23, X24	8 A, AC1, 250 V / 8 A, DC1, 24 V
	X26, X27, X28	10 A, AC1, 250 V / 5 A, DC1, 24 V
Rated impulse withstand voltage, U_{imp}		6 kV
Overvoltage category		III
Pollution degree		2

OMD800

Rated operational voltage U_e on 3 phase system		100 V AC - 480 V AC +/- 20%
	Phase - Neutral	57,7 V AC - 277 V AC +/- 20%
Rated operational voltage U_e on 1 phase system ¹⁾		57,7 V AC - 277 V AC +/- 20%
Rated frequency		50 / 60 Hz +/- 10%
Voltage sensing precision		1%
Frequency sensing precision		1%
Relay ratings:	X21, X22, X24	12 A, AC1, 250 V / 12 A, DC1, 24 V
	X23	8 A, AC1, 250 V / 8 A, DC1, 24 V
	X29	5 A, AC1, 250 V / 6 A, DC1, 24 V
Rated impulse withstand voltage, U_{imp}		6 kV
Overvoltage category		III
Pollution degree		2
AUX voltage ¹⁾		24 V DC - 110 V DC (-10% to +15%)
Protection rating for the front panel		IP40
Operating temperature		- 20...+ 60 °C
Transportation and storage temperature		- 25...+ 80 °C
Altitude		Max. 2000m
Humidity		
With condensation		5 %...98 %
Without condensation		5 %...90 %

¹⁾ If on 1 phase system the voltage level is between 57,7 – 109 V AC, AUX voltage supply must be used

OMD200/300/800



Optional accessories for motorized change-over switches

Ordering information for dual power sources

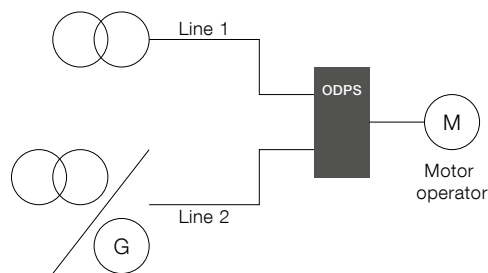


ODPSE230C

Dual power source

Provides power supply to the motor operator by using two lines. The device has two inputs, from line I (LN I) and line II (LN II), and one output for the motor operator. The motor operator is automatically energized whenever power is available in one of the lines. Can be used with 230VAC motor operators. Snap-on mounted PCB connectors are included in the delivery. The device can be DIN-rail or screw mounted.

Suitable for switches	Type	Order number	Units/type [pcs]	Weight/unit [kg]
OTM40...3200_	ODPSE230C	1SCA116892R1001	1	0.3



Connection diagram, ODPSE230C

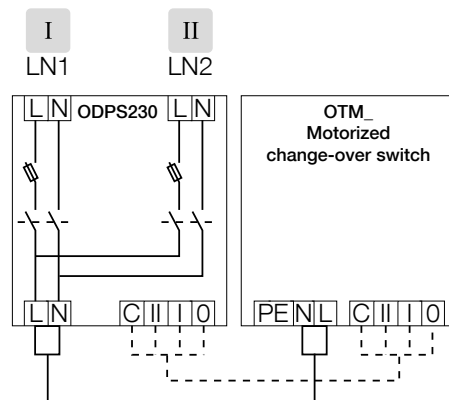


ODPS230

Dual power source including ATS functionality

Similar to previous dual power source but also including ATS (Automatic Transfer Switch) functionality and in-built short-circuit protection. Provides power supply to the motor operator by using two 220...240 V AC lines. Motor operator is automatically energized whenever power is available in one of the lines. The device has a three position (AUTO-MAN-O) DIP switch to choose the correct operating mode. The AUTO position enables and the MAN position disables the ATS functionality when used with OTM motorized change-over switch. The O position is used for safety reasons: it operates the OTM to position 0 to isolate the load from the feeding sources. The device can be DIN-rail or screw mounted.

Suitable for switches	Type	Order number	Units/type [pcs]	Weight/unit [kg]
OTM40...3200_	ODPS230	1SCA122946R1001	1	0.3



Connection diagram, ODPS230

Optional accessories for motorized change-over switches

Technical data and dimensional drawings for dual power sources

Technical data for dual power source ODPSE230C

Dual power source ODPSE230C	
Rated operational voltage U [V]	220...240 V AC +/- 20%
Rated frequency	50 / 60 Hz +/- 10%
Short-circuit protection device	Max. MCB 4 A
Nominal output current I _n [A]	4 A
Startup time	Max. 1.0 s (with 230 V AC)
Operating transfer time LN1 - LN2 or LN2 - LN1	Max. 0.5 s (with 230 V AC)
Cable size	0,2...2,5 mm ²
Rated impulse withstand voltage, U _{imp}	4 kV
Overtoltage category	III
Pollution degree	3
Protection rating for the front panel	IP20
Operating temperature	- 25...+ 60 °C
Transportation and storage temperature	- 40...+ 70 °C
Altitude	Max. 2 000m

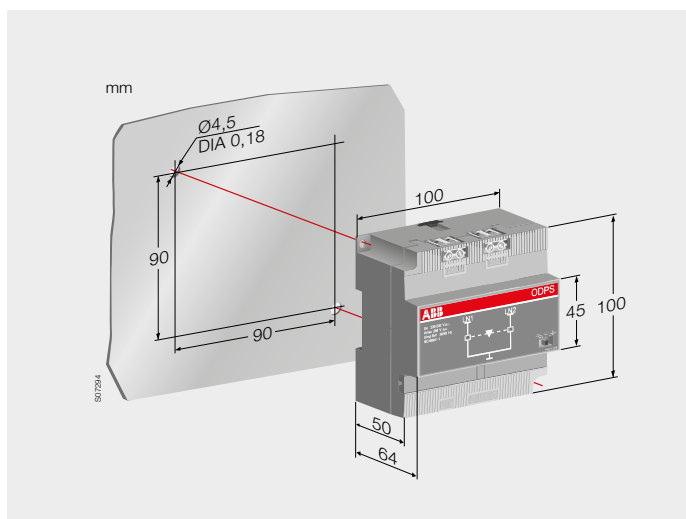
Technical data for new dual power source ODPS230 with ATS functionality

Dual power source ODPS230	
Rated operational voltage U [V]	220...240 V AC, 50 / 60 Hz
Maximum voltage	288 V AC
Pick-up voltage	≥198 V AC
Drop-out voltage	≤154 V AC
Operating time	1 s ± 0.5 s
Nominal output current I _n [A]	3,15 A
Rated conditional short-circuit current, I _p (r.m.s.)	50 kA
Internal fuse	T/3,15A/H*
Fuse size	6,3 x 32 mm
Rated impulse withstand voltage, U _{imp}	4 kV
Overtoltage category	III
Pollution degree	3
Cable size	Max. 6 mm ²
Protection rating for the front panel	IP20
Operating temperature	- 25...+ 60 °C
Transportation and storage temperature	- 40...+ 70 °C
Altitude	Max. 2 000m

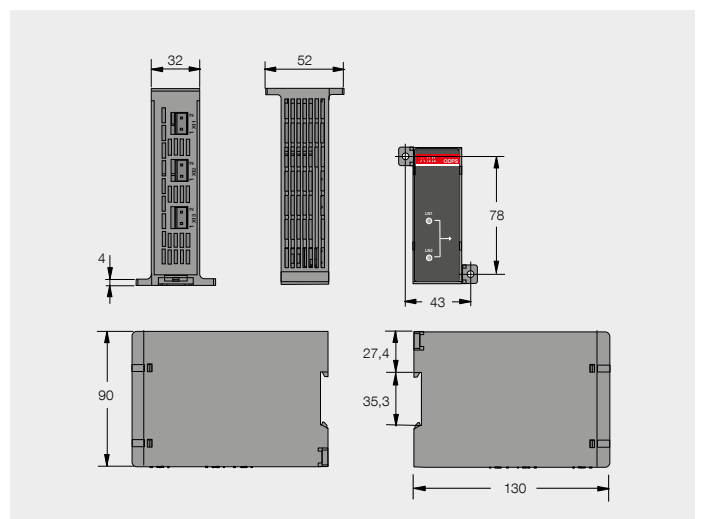
* The breaking capacity must be 50 kA to achieve 50 kA I_p (r.m.s.) rating

Dimensional drawings for dual power sources

ODPS230



ODPSE230C





Automatic transfer switches

Open transition from 160 to 1600 Amperes

Introduction to automatic transfer switches	
General information	78
Product range	79
Type codes	80
Switching sequence and operating times	81
List of product functionalities	82
Technical data	
OTM160...400_C_D	84
OTM630...1600_C_D	85
Technical data for power and control circuits	86
Ordering information	
OTM160...OTM1600_C_D	87
Dimension drawings	
Automatic transfer switches	90
Ordering information for optional accessories	
Terminal shrouds	94
Phase barriers	95
Terminal clamps	96
Bridging- and reversing bars	97
Auxiliary contacts	98
Automatic control units and related accessories	99
Dual power sources	98

ABB's automatic transfer switches provide virtually instantaneous automatic switching between power sources.

Automatic transfer switches

Instantaneous automatic switching between power sources



ABB offers a wide selection of automatic transfer switches (ATS), from 160 to 1600 Amperes in range. They have the features and functionality that makes them suitable for diverse applications: industrial plants, docks, airports and data centers.



Quick and easy solution

All ATS products by ABB are delivered as a ready-to-use solution in which the OMD unit is pre-mounted at the factory prior to delivery. It is also possible to purchase the control units and motorized change-over switches as separate components, allowing you to build the automatic transfer switch yourself.



Safe operations

With automatic transfer switches by ABB safe ON LOAD operations with a handle is always easy and readily available. Our switches also come equipped with numerous other safety features such as the possibility to prevent unwanted operations by padlocking the handle into O position.



Reliable functionality

You can rest assured that your automatic transfer switch solution works as expected without the need to carry out any testing. The entire solution has been tested by ABB and is guaranteed to fulfill all the requirements according to the IEC60947-6-1 standard.



Improved user experience

Ensuring a high performance level and an easy and efficient user experience for you is of the utmost importance to us. Usage has been made simpler than ever before with an LCD display with menus available in eight languages.

Automatic transfer switches

Open transition from 160 to 1600 Amperes



Automatic transfer switches, 160-400 A

Types	OTM160E_C_D			OTM160E_WC_D			OTM315E_C_D	
	OTM200E_C_D			OTM200E_WC_D			OTM400E_C_D	
	OTM250E_C_D			OTM250E_WC_D				
I_{th} /A	160	200	250	160	200	250	315	400
I _e /AC-22A, < 415V	160	200	250	160	200	250	315	400
I _e /AC-23A, < 415V	160	200	250	160	200	250	315	400
I _e /AC-31B, < 415V	160	200	250	160	200	250	315	400



Automatic transfer switches 630-1600 A

Types	OTM630E_C_D		OTM1000E_C_D		OTM1600E_C_D
	OTM800E_C_D		OTM1250E_C_D		
I_{th} /A	630	800	1000	1250	1600
I _e /AC-22A, < 415V	630	800	1000	1250	1600
I _e /AC-23A, < 415V	630	800	1000	1250	1250
I _e /AC-31B, < 415V	650	720	1000	1250	1600

Automatic transfer switches

Type codes

Type codes

Understanding the type code keys below will help you quickly identify the correct product for your needs. The simple naming system allows you to see the products type, Ampere rating, standard classification and number of poles, all in one glance.

Explanation of the types OTM160...1600_C_D

Option:	OTM800	E	4	C	3	D	230	C
Position:	1	2	3	4	5	6	7	8

1	Brand and Switch size / Ampere rating
2	IEC
3	Number of the poles
4	Change over switch: I-0-II -operation 3: 3-poles 4: 4-poles
5	Place of sensing kit _ (blank): Voltage sensing kit on the top B: Voltage sensign kit on the bottom
6	Automatic controlle unit 2D: OMD200 3D: OMD300 8D: OMD800
7	Voltage for motor operator 230: 220...240 V AC
8	Motor voltage type V=AC/DC

Automatic transfer switches

Switching sequence and operating times

Example of switching sequence for automatic transfer switches

An example of the switching sequence can be summarized in following steps:

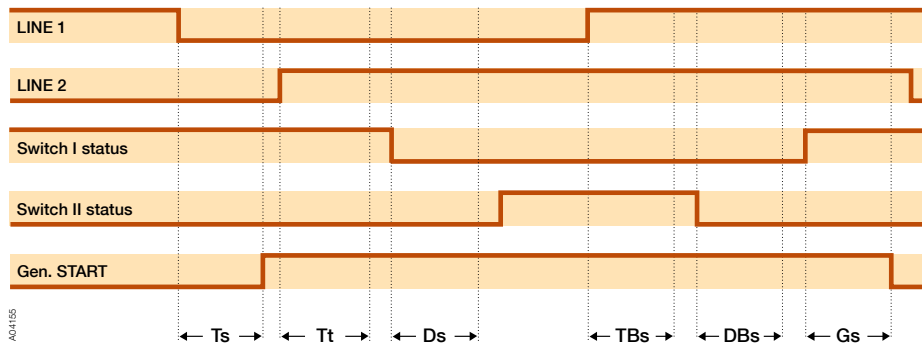
- An anomaly occurs on the Line 1
- Switching delay
- Generator start
- Delay on transfer
- Change-over switch (Switch I) to the position O
- Dead band I to II delay
- Change-over switch (Switch II) to the position II

The back switching sequence

can be summarized in the following steps:

- The Line 1 will start the normal functioning
- Back switching delay
- Change-over switch (Switch II) to the position O
- Dead band II to I delay
- Change-over switch (Switch I) to the position I
- Generator stop delay
- Generator stop

The diagram is with OTM_C8D and Line 1 priority operating mode



Ts: Switching delay, **Tt:** Delay on transfer, **Ds:** Dead band I to II,
TBs: Back switching delay, **DBs:** Dead band II to I, **Gs:** Generator stop delay

Automatic transfer switches operating times for OTM160...1600_

Operating times

Type	Operating transfer time ^{a)} I - II, II - I [s]	OFF-time when operating ^{a)} I - II, II - I [s]
OTM160...250_C2D_	2.0 - 4.0	0.4 - 1.0
OTM160...250_C3D_	2.0 - 4.0	0.4 - 1.0
OTM160...250_C8D_	1.5 - 3.0	0.4 - 1.0
OTM315...400_C2D_	2.0 - 5.0	0.4 - 1.0
OTM315...400_C3D_	2.0 - 5.0	0.4 - 1.0
OTM315...400_C8D_	1.5 - 3.0	0.4 - 1.0
OTM630...800_C2D_	2.0 - 5.0	0.4 - 1.0
OTM630...800_C3D_	2.0 - 5.0	0.4 - 1.0
OTM630...800_C8D_	1.5 - 3.0	0.4 - 1.0
OTM1000...1600_C2D_	3.0 - 6.0	0.6 - 1.5
OTM1000...1600_C3D_	3.0 - 6.0	0.6 - 1.5
OTM1000...1600_C8D_	2.5 - 4.0	0.6 - 1.5

^{a)} Under nominal conditions

Automatic transfer switches

List of product functionalities



Automatic transfer switches functionality

	OTM_C2D_	OTM_C3D_	OTM_C8D_
OTM_C_D products overview			
Includes automatic control unit	OMD200_	OMD300_	OMD800_
Manual operation with handle	x	x	x
Local operation with front panel keypad	x	x	x
Automatic transfer switching equipment (ATSE)	x	x	x
Dual power source for the motor operator ¹⁾	o	x	o
Measurements			
Three phase voltage measurement on LINE 1	x	x	x
Single phase voltage measurement on LINE 1	x	x	x
Three phase voltage measurement on LINE 2	x	x	x
Single phase voltage measurement on LINE 2	x	x	x
Frequency on LINE 1	x	x	x
Frequency on LINE 2	x	x	x
Possibility to check the measurements via LCD			x
Source failure detections			
No voltage	x	x	x
Undervoltage	x	x	x
Overvoltage	x	x	x
Phase missing	x	x	x
Voltage unbalance	x	x	x
Invalid frequency	x	x	x
Incorrect phase sequence			x
Configuration			
By DIP switches	x	x	
By rotary switches	x	x	
By keypad and LCD			x
Voltage threshold setting	x	x	x
Voltage hysteresis setting			x
Frequency threshold setting			x
Frequency hysteresis setting			x
Time delays			
Switching delay	x ²⁾	x ²⁾	0..60 s
Delay on transfer ³⁾			0..600 s
Dead band time I-II (stop switching to position 0)			0..60 s
Back-switching delay	x ⁴⁾	x ⁴⁾	0..5 400 s
Dead band time II-I (stop switching to position 0)			0..60 s
Generator stop delay	x ⁵⁾	x ⁵⁾	0..1 800 s
Status of time delays on the LCD			x

¹⁾ Dual power source allows the motor operator to be supplied by two separate voltage supplies.

This way the motor operator is always energized from the available line.

²⁾ Four options: 0, 5, 10 or 30 seconds

³⁾ Delaying the switching sequence before transferring to generator, guaranteeing that in cold locations the generator is properly warmed up

⁴⁾ Two options: the duration of back-switching delay is the same as switching delay, i.e. the time delay is same for I - II and II - I, or the back-switching delay is fixed 300 seconds

⁵⁾ Two options: the duration of generator stop delay is the same as Switching delay or fixed 5 min

x = included as standard

o = as an accessory

Automatic transfer switches

List of product functionalities



Automatic transfer switches functionality

	OTM_C2D_	OTM_C3D_	OTM_C8D_
Features			
Generator start and stop	x	x	x
Off-load test sequence	x	x	x
On-load test sequence	x	x	x
Source status via front panel	x	x	x
Source status via digital outputs			x
Switch position via front panel	x	x	x
LCD ⁶⁾			x
Fieldbus interface ⁷⁾			x
Event/alarm log			x
Counter for number of operations			x
Auxiliary voltage supply ⁸⁾			x
Programmable digital inputs (eight) and digital outputs (six)			x
Secondary load control (load shedding)			x
Digital input - Allow transfer to secondary ⁹⁾			x
Digital input - Generator alarm ¹⁰⁾			x
Digital input - Remote control to positions I, O and II			x
Operating mode			
Line priority	x ¹¹⁾	x ¹¹⁾	x ¹²⁾
Manual back-switching ¹³⁾	x	x	x
Automatic operation to position O, in case of source failure ¹⁴⁾			x
Applications			
Transfer between two transformers	x	x	x
Transfer between a transformer and a generator	x	x	x

⁶⁾ Menus available in eight languages; English, French, German, Italian, Spanish, Russian, Chinese and Finnish

⁷⁾ Two-way communication, bus communication protocol is Modbus

⁸⁾ In case of source failure, the control unit can be supplied with an external auxiliary supply with 24...110 V DC

⁹⁾ Control unit requires an external signal before allowing the transfer to secondary

¹⁰⁾ Two options for the operating mode after receiving the alarm: control unit either works normally, or initiates generator stop with operation to position O

¹¹⁾ Two options: No line priority, or Source 1 is the priority source

¹²⁾ Three options: No line priority, Source 1 or Source 2 is the priority source

¹³⁾ Automatic back-switching to primary source is prevented

¹⁴⁾ Control unit and motor operator must be energized

x = included as standard

o = as an accessory

Automatic transfer switches

Technical data for OTM160...400_C

Automatic transfer switches

Data according to IEC 60947-3				Switch size , OTM_				
				OTM_160_	OTM_200_	OTM_250_	OTM_315_	OTM_400_
Rated insulation voltage and rated operational voltage AC20/DC20 ¹⁾		Pollution degree 3 ²⁾	V	1 000	1 000	1 000	1 000	1 000
Dielectric strength		50 Hz 1min.	kV	10	10	10	10	10
Rated impulse withstand voltage ³⁾			kV	12	12	12	12	12
Rated thermal current and rated operational current AC20/DC20	/ ambient 40°C	In open air	A	160	200	250	315	400
	/ ambient 40°C	In enclosure	A	160	200	250	315	400
..with minimum conductor cross section		Cu	mm ²	70	95	120	185	240
Rated operational current, AC-21A		up to 500 V	A	160	200	250	315	400
		690 V	A	160	200	250	315	400
Rated operational current, AC-22A		up to 500 V	A	160	200	250	315	400
		690 V	A	160	200	250	315	400
Rated operational current, AC-23A		up to 415 V	A	160	200	250	315	400
		440 V	A	160	200	250	315	400
		500 V	A	160	200	250	315	400
		690 V	A	160	200	250	315	400
Rated operational current / poles in series, DC-21A ¹⁰⁾		≤ 110 V	A	160/2	200/2	250/2	315/1 ⁴⁾	400/1 ⁴⁾
		220 V	A	160/2	200/2	250/2	315/2 ⁴⁾	400/2 ⁴⁾
		440 V	A	160/3	200/3	230/3	315/3	360/3
		660 V	A	160/4	200/4	200/4	315/4	315/4
Rated operational power, AC-23A ⁵⁾		230 V	kW	45	60	75	100	132
The kW-ratings are accurate for 3-phase 1500 R.P.M. standard asynchronous motors		400 V	kW	90	110	140	160	220
		415 V	kW	90	110	145	180	230
		500 V	kW	110	132	170	220	280
		690 V	kW	160	200	250	315	400
Rated breaking capacity in category AC-23		up to 415 V	A	1 280	1 600	2 000	2 520	3 200
		500 V	A	1 280	1 600	2 000	2 520	3 200
		690 V	A	1 280	1 600	2 000	2 520	3 200
Rated conditional short-circuit current I _p (r.m.s.) and cut-off current i _c (peak) value. The cut-off current i _c refers to values listed by fuse manufacturers (single phase test acc. to IEC60269).	I _p (r.m.s.) 80 kA, 415 V Max. OFA_ fuse size	i _c (peak) gG/aM	kA A/A	40.5 355/315	40.5 355/315	40.5 355/315	59 500/500	59 500/500
	I _p (r.m.s.) 100 kA, 500 V Max. OFA_ fuse size	i _c (peak) gG/aM	kA A	40.5 315/315	40.5 315/315	40.5 315/315	61.5 500/450	61.5 500/450
	I _p (r.m.s.) 80 kA, 690 V Max. OFA_ fuse size	i _c (peak) gG/aM	kA A	40.5 355/315	40.5 355/315	40.5 355/315	59 500/500	59 500/500
Rated short-time withstand current	I _{sw} (r.m.s.)	690 V 0.15s 690 V 0.25s 690 V 1s	kA	15 15 8	15 15 8	15 15 8	31 24 15	31 24 15
Rated short-time making capacity ⁶⁾	I _{cm} (peak) ⁷⁾	690 V	kA	30	30	30	65	65
Power loss / pole	With rated current		W	2.4	4	6.5	6.5	10
Mechanical endurance	Number of oper. cycles ⁸⁾		Cycles	8 000	8 000	8 000	8 000	8 000
Terminal bolt size	Metric thread diameter x length		mm	M8x25	M8x25	M8x25	M10x30	M10x30
Terminal tightening torque	Counter torque required		Nm	15-22	15-22	15-22	30-44	30-44
Operating torque	Typical for 3-pole change-over switches		Nm	7	7	7	16	16
Weight without accessories	Automatic transfer switches	3-pole switch 4-pole switch	kg	5.7 6.4	5.7 6.4	5.7 6.4	10.2 11.4	10.2 11.4
Data according to IEC 60947-6-1								
Class of equipment				PC	PC	PC	PC	PC
Rated short-time withstand current	I _{sw} (r.m.s.)	690 V 0.1s	kA	15	15	15	25	25
Rated operational current, AC-31B		up to 415 V	A	160	200	250	315	400
Rated operational current, AC-33B		up to 415 V	A	160	200	250	315	400

¹⁾ Automatic transfer switches: operational voltage = max. 415 V AC for OTM_C2D_, OTM_C3D_ and OTM_C8D_

²⁾ Automatic transfer switches: pollution degree 2 for OTM_C2D_, OTM_C3D_ and OTM_C8D_

³⁾ Automatic transfer switches: U_{imp} = 6 kV for OTM_C2D_, OTM_C3D_ and OTM_C8D_

⁴⁾ Utilization category B

⁵⁾ These values are given for guidance and may vary acc. to the motor manufacturer

⁶⁾ Short circuit duration > 50ms, without fuse protection

⁷⁾ Max. distance from switch frame to nearest busbar / cable support 150 mm

⁸⁾ Operating cycle: O - I - O - II - O

⁹⁾ Category AC-21B, up to 415V

¹⁰⁾ Further ratings on request

Automatic transfer switches

Technical data for OTM630...1600_C

Automatic transfer switches

Data according to IEC 60947-3				Switch size , OTM_				
				OTM_630_	OTM_800_	OTM_1000_	OTM_1250_	OTM_1600_
Rated insulation voltage and rated operational voltage AC20/DC20 ¹⁾		Pollution degree 3 ²⁾	V	1 000	1 000	1 000	1 000	1 000
Dielectric strength		50 Hz 1min.	kV	10	10	10	10	10
Rated impulse withstand voltage ³⁾			kV	12	12	12	12	12
Rated thermal current and rated operational current AC20/DC20	/ ambient 40°C	In open air	A	630	800	1 000	1 250	1 600
..with minimum conductor cross section	/ ambient 40°C	In enclosure	A	630	800			
Rated operational current, AC-21A		Cu	mm ²	2x185	2x240	2x300	2x400	2x500
Rated operational current, AC-22A		up to 500 V	A	630	800	1 000	1 250	1 600
Rated operational current, AC-23A		690 V	A	630	800	1 000	1 250	1 600
Rated operational current / poles in series, DC-21A ¹⁰⁾		up to 500 V	A	630	800	1 000	1 250	1 600
Rated operational current, AC-22A		690 V	A	630	800	1 000	1 250	1 600
Rated operational current, AC-23A		up to 415 V	A	630	800	1 000	1 250	1 250
Rated operational current / poles in series, DC-21A ¹⁰⁾		440 V	A	630	800	1 000	1 250	1 250
Rated operational current, AC-23A		500 V	A	630	800	1 000	1 250	1 250
Rated operational current / poles in series, DC-21A ¹⁰⁾		690 V	A	630	800	1 000	1 250	1 250
Rated operational power, AC-23A ⁵⁾		≤ 110 V	A	630/1	800/1			
The kW-ratings are accurate for 3-phase 1500 R.P.M. standard asynchronous motors		220 V	A	630/1	800/1			
Rated breaking capacity in category AC-23		440 V	A	630/2	720/2			
Rated conditional short-circuit current I _p (r.m.s.) and cut-off current I _c (peak) value. The cut-off current I _c refers to values listed by fuse manufacturers (single phase test acc. to IEC60269).		660 V	A	630/4 ⁴⁾	630/4 ⁴⁾			
Rated short-time withstand current		230 V	kW	200	250	315	400	400
Rated short-time making capacity ⁶⁾		400 V	kW	355	450	560	710	710
Power loss / pole		415 V	kW	355	450	560	710	710
Mechanical endurance		500 V	kW	400	560	710	900	900
Terminal bolt size		690 V	kW	630	800	1 000	1 200	1 200
Terminal tightening torque		up to 415 V	A	5 040	6 400	10 000	10 000	10 000
Operating torque		500 V	A	5 040	6 400	10 000	10 000	10 000
Weight without accessories		690 V	A	5 040	6 400	10 000	10 000	10 000
Rated conditional short-circuit current I _p (r.m.s.) and cut-off current I _c (peak) value. The cut-off current I _c refers to values listed by fuse manufacturers (single phase test acc. to IEC60269).	I _p (r.m.s.) 80 kA, 415 V	I _c (peak)	kA	83.5	83.5	100	100	100
	Max. OFA_ fuse size	gG/aM	A/A	800/1 000	800/1 000	1 250/1 250	1 250/1 250	1 250/1 250
	I _p (r.m.s.) 100 kA, 500 V	I _c (peak)	kA	90	90	106	106	106
	Max. OFA_ fuse size	gG/aM	A	800/800	800/800	1 250/1 250	1 250/1 250	1 250/1 250
	I _p (r.m.s.) 80 kA, 690 V	I _c (peak)	kA	83.5	83.5			
	Max. OFA_ fuse size	gG/aM	A	800/1 000	800/1 000			
Rated short-time withstand current	I _{sw} (r.m.s.)	690 V 0.15s	kA	38	38	50	50	50
		690 V 0.25s	kA	36	36	50	50	50
		690 V 1s	kA	20	20	50	50	50
Rated short-time making capacity ⁶⁾	I _{cm} (peak) ⁷⁾	690 V	kA	80	80	92	92	92
Power loss / pole	With rated current		W	25	40	19	29	48
Mechanical endurance	Number of oper. cycles ⁸⁾		Cycles	5 000	5 000	3 000	3 000	3 000
Terminal bolt size	Metric thread diameter x length		mm	M12x40	M12x40	M12x60	M12x60	M12x60
Terminal tightening torque	Counter torque required		Nm	50-75	50-75	50-75	50-75	50-75
Operating torque	Typical for 3-pole change-over switches		Nm	27	27	78	78	78
Weight without accessories	Automatic transfer switches	3-pole switch	kg	17.5	17.5	42	42	44
		4-pole switch	kg	20.4	20.4	50	50	52
Data according to IEC 60947-6-1								
Class of equipment				PC	PC	PC	PC	PC
Rated short-time withstand current	I _{sw} (r.m.s.)	690 V 0.1s	kA	38	38	50	50	50
Rated operational current, AC-31B		up to 415 V	A	650	720	1 000	1 250	1 600
Rated operational current, AC-33B		up to 415 V	A	650	650	1 000	1 000	1 000

¹⁾ Automatic transfer switches: operational voltage = max. 415 V AC for OTM_C2D_, OTM_C3D_ and OTM_C8D_

²⁾ Automatic transfer switches: pollution degree 2 for OTM_C2D_, OTM_C3D_ and OTM_C8D_

³⁾ Automatic transfer switches: U_{imp} = 6 kV for OTM_C2D_, OTM_C3D_ and OTM_C8D_

⁴⁾ Utilization category B

⁵⁾ These values are given for guidance and may vary acc. to the motor manufacturer

⁶⁾ Short circuit duration > 50ms, without fuse protection

⁷⁾ Max. distance from switch frame to nearest busbar / cable support 150 mm

⁸⁾ Operating cycle: O - I - O - II - O

⁹⁾ Category AC-21B, up to 415V

¹⁰⁾ Further ratings on request

Automatic transfer switches

Technical data for power and control circuits

Technical data for automatic transfer switches, power circuit

OTM_C2D_ (OMD200)		
Rated operational voltage U_e		208 - 415 V AC +/- 20 % + N
	Phase - Neutral	120 - 240 V AC +/- 20 %
Rated frequency		50 / 60 Hz +/- 10 %
Rated impulse withstand voltage U_{imp}		6 kV
OTM_C3D_ (OMD300)		
Rated operational voltage U_e		208 - 415 V AC +/- 20 % + N
	Phase - Neutral	120 - 240 V AC +/- 20 %
Rated frequency		50 / 60 Hz +/- 10 %
Rated impulse withstand voltage U_{imp}		6 kV
OTM_C8D_ (OMD800)		
Rated operational voltage U_e on 3 phase system		100 - 415 V AC +/- 20 %
	Phase - Neutral	57,7 - 240 V AC +/- 20 %
Rated operational voltage U_e on 1 phase system ¹⁾		57,7 - 240 V AC +/- 20 %
Rated frequency		50 / 60 Hz +/- 10 %
Rated impulse withstand voltage U_{imp}		6 kV
AUX voltage ¹⁾		24 V DC - 110 V DC (-10 to 15 %)
Operating temperature		-5...+40°C
Transportation and storage temperature		-25...+70°C
Altitude		Max.2 000m

¹⁾ If on 1 phase system the voltage level is between 57,7 – 109 V AC, AUX voltage supply must be used

Technical data for motor operator, control circuit

Motor operator, control circuit				OTM160...250	OTM315...400	OTM630...800	OTM1000...1600
Rated operational voltage U [V]	Pollution degree 3	50/60 Hz		220 - 240 V AC			
Operating voltage range				0,8...1,2 x U_e			
Operating times				See the table below			
Nominal current I_n ^{a)}			A	0.2	0.5	0.7	1.8
Current Inrush ^{a)}			A	1.3	2.1	2.8	7.7
Overload fuse	Type / In / Capacity		mA	T/315/H	T/500/H	T/1 000/H	T/2 000/H
	Size		mm	5x20	5x20	5x20	5x20
Operating rate	Cycle 0 - I - 0 - II - 0		cycles / min	1	1	1	0.5
	Max. continuous		cycles / min	10	10	10	5
Max. short-time ≤ 10 cycles							
Overvoltage category						III	
Rated impulse withstand voltage U_{imp}			kV			4	
Dielectric strength		50 Hz 1 min.	kV			1.5	
Terminals							
Voltage supply wiring for U						PE - N - L	
Cross section		solid/stranded	mm ²			1.5 - 2.5	
Short-circuit protection device		max. MCB	A			C16	
State information of locking (no SELV)							
Cross section		solid/stranded	mm ²			1.5 - 2.5	
Locking motor operator		23-24 (NO)				5A/250V/cosφ=1	
Short-circuit protection device		Max. MCB	A			C2	
Protection degree						IP20	
Operating temperature			°C			-25...+55	
Transportation and storage temperature			°C			-40...+70	
Max. altitude			m			2 000	

Automatic transfer switches

Ordering information for OTM160...OTM1600_C



Automatic transfer switch accessory guide

- | | |
|------------------------------|---------------------------------|
| 1. Automatic transfer switch | 5. Storage for handle and fuses |
| 2. Terminal clamp | 6. Bridging bar |
| 3. Terminal shroud | 7. Cover plate |
| 4. Auxiliary contact | |

Please note that not all listed accessories are automatically included in your order. See next page for recommendations.

Voltage sensing connection is part of standard delivery and factory fitted.

Automatic transfer switches

Ordering information for OTM160...OTM1600_C



OTM160...250E4C_D230C



OTM160...250E4WC_D230C



OTM315...400E4C_D230C



OTM630...800E4C_D230C



OTM1000...1250E4C_D230C



OTM1600E4C_D230C

Automatic transfer switches, open transition, OTM160...OTM1600_C

Delivered with a handle for manual operation, PCB connectors, bolt kit with nuts and washers for all terminals. Voltage sensing connections are part of standard delivery and factory fitted. Types OTM160...1600_C_D_ include a voltage sensing kit on the top of the switch. Please note that OTM_C2D types are equipped with OMD200 control units, while OTM_C3D types are equipped with OMD300 control units.

To ensure suitability and easy installation, these products are also available with the voltage sensing kit installed onto the bottom of the switch. Simply add the letter "B" to the typecode when ordering. For example, OTM160E4C2D230C ▶ OTM160E4CB2D230C. Types OTM160...1600E_ include a storage clip for the handle and spare fuses. Types OTM160...250_WC_D_ are equipped with extended phase distance.

No. of poles	Rated current AC-21A, AC-22A ≤ 415V, I[A]	Rated power 400V S[kVA]	Rated current AC-31B/ AC-33B 415V, I[A]	Type	Order number	Weight/unit [kg]
Automatic operation, OTM_C2D_ types, voltage sensing on the top. Voltage sensing connection included as standard.						
Motor operator voltage $U_e = 220...240\text{ V AC}^{1)}$						
4	160	110	160/160	OTM160E4C2D230C	1SCA106230R1001	11
4	160	110	160/160	OTM160E4WC2D230C	1SCA101033R1001	11
4	200	135	200/200	OTM200E4C2D230C	1SCA106671R1001	11
4	200	135	200/200	OTM200E4WC2D230C	1SCA101034R1001	11
4	250	170	250/250	OTM250E4C2D230C	1SCA101016R1001	11
4	250	170	250/250	OTM250E4WC2D230C	1SCA101035R1001	11
4	315	215	315/315	OTM315E4C2D230C	1SCA101059R1001	15
4	400	275	400/400	OTM400E4C2D230C	1SCA101060R1001	15
4	630	435	650/650	OTM630E4C2D230C	1SCA108434R1001	37
4	800	550	720/650	OTM800E4C2D230C	1SCA108439R1001	37
4	1000	680	1000/1000	OTM1000E4C2D230C	1SCA112858R1001	66
4	1250	850	1250/1000	OTM1250E4C2D230C	1SCA112857R1001	66
4	1600	1000	1600/1000	OTM1600E4C2D230C	1SCA112854R1001	70

Automatic operation, OTM_C3D_ types, voltage sensing on the top. Voltage sensing connection included as standard.

Including in-built dual power source for the motor operator. Motor operator voltage $U_e = 220...240\text{ V AC}^{1)}$						
4	160	110	160/160	OTM160E4C3D230C	1SCA106305R1001	11
4	160	110	160/160	OTM160E4WC3D230C	1SCA106306R1001	11
4	200	135	200/200	OTM200E4C3D230C	1SCA106309R1001	11
4	200	135	200/200	OTM200E4WC3D230C	1SCA106310R1001	11
4	250	170	250/250	OTM250E4C3D230C	1SCA106313R1001	11
4	250	170	250/250	OTM250E4WC3D230C	1SCA106314R1001	11
4	315	215	315/315	OTM315E4C3D230C	1SCA106317R1001	15
4	400	275	400/400	OTM400E4C3D230C	1SCA106318R1001	15
4	630	435	650/650	OTM630E4C3D230C	1SCA108726R1001	37
4	800	550	720/650	OTM800E4C3D230C	1SCA108728R1001	37
4	1000	680	1000/1000	OTM1000E4C3D230C	1SCA112852R1001	66
4	1250	850	1250/1000	OTM1250E4C3D230C	1SCA112851R1001	66
4	1600	1000	1600/1000	OTM1600E4C3D230C	1SCA112848R1001	70

¹⁾ Under nominal conditions

See next page for handles and bolt kits ▶

Automatic transfer switches

Ordering information for OTM160...1600_C



OTM160E3C8D230C



OTM160...250E3WC8D230C



OTM315...400E4C8D230C



OTM630...800E4C8D230C



OTM1000...1250E4C8D230C



OTM1600E3C8D230C

Automatic transfer switches, open transition, OTM160...OTM1600_C

Delivered with a handle for manual operation, PCB connectors, bolt kit with nuts and washers for all terminals. Types OTM160...1600_C_D_ include a voltage sensing kit on the top of the switch. Please note that OTM_C2D types are equipped with OMD200 control units, while OTM_C3D types are equipped with OMD300 control units.

To ensure suitability and easy installation, these products are also available with the voltage sensing kit installed onto the bottom of the switch. Simply add the letter "B" to the typecode when ordering. For example, OTM160E4C2D230C ▶ OTM160E4CB2D230C. Types OTM160...1600E_ include a storage clip for the handle and spare fuses. Types OTM160...250_WC_D_ are equipped with extended phase distance.

No. of poles	Rated current AC-21A, AC-22A ≤ 415V, I[A]	Rated power 400V S[kVA]	Rated current AC-31B/ AC-33B 415V, I[A]	Type	Order number	Weight/unit [kg]
Automatic operation, OTM_C8D_ types, voltage sensing on the top						
Motor operator voltage $U_e = 220...240 \text{ V AC}^{1)}$						
3	160	110	160/160	OTM160E3C8D230C	1SCA101017R1001	10
3	160	110	160/160	OTM160E3WC8D230C	1SCA101036R1001	10
4	160	110	160/160	OTM160E4C8D230C	1SCA101020R1001	11
4	160	110	160/160	OTM160E4WC8D230C	1SCA101039R1001	11
3	200	135	200/200	OTM200E3C8D230C	1SCA101018R1001	10
3	200	135	200/200	OTM200E3WC8D230C	1SCA101037R1001	10
4	200	135	200/200	OTM200E4C8D230C	1SCA101021R1001	11
4	200	135	200/200	OTM200E4WC8D230C	1SCA101040R1001	11
3	250	170	250/250	OTM250E3C8D230C	1SCA101019R1001	10
3	250	170	250/250	OTM250E3WC8D230C	1SCA101038R1001	10
4	250	170	250/250	OTM250E4C8D230C	1SCA101022R1001	11
4	250	170	250/250	OTM250E4WC8D230C	1SCA101041R1001	11
3	315	215	315/315	OTM315E3C8D230C	1SCA101062R1001	14
4	315	215	315/315	OTM315E4C8D230C	1SCA101063R1001	15
3	400	275	400/400	OTM400E3C8D230C	1SCA101061R1001	14
4	400	275	400/400	OTM400E4C8D230C	1SCA101064R1001	15
3	630	435	650/650	OTM630E3C8D230C	1SCA108452R1001	34
4	630	435	650/650	OTM630E4C8D230C	1SCA108453R1001	37
3	800	550	720/650	OTM800E3C8D230C	1SCA108454R1001	34
4	800	550	720/650	OTM800E4C8D230C	1SCA108455R1001	37
3	1000	680	1000/1000	OTM1000E3C8D230C	1SCA112868R1001	57
4	1000	680	1000/1000	OTM1000E4C8D230C	1SCA112861R1001	66
3	1250	850	1250/1000	OTM1250E3C8D230C	1SCA112862R1001	57
4	1250	850	1250/1000	OTM1250E4C8D230C	1SCA112864R1001	66
3	1600	1000	1600/1000	OTM1600E3C8D230C	1SCA112866R1001	60
4	1600	1000	1600/1000	OTM1600E4C8D230C	1SCA112867R1001	70

¹⁾ Under nominal conditions

Handles and bolt kits included as standard

Suitable for switches	Handle	Bolt kit
OTM160...250	OTV250ECMK	M8x25
OTM315...400	OTV400ECMK	M10x30
OTM630...800	OTV800ECMK	M12x40
OTM1000...1600	OTV1000ECMK	M12x60

Automatic transfer switches

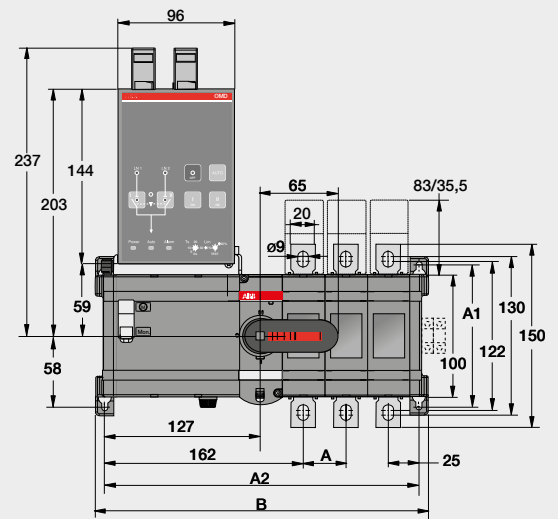
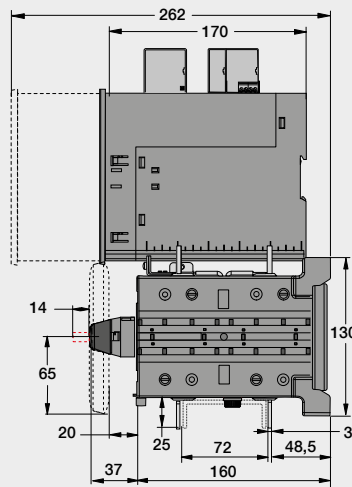
Dimensional drawings

OTM160...250E_C_2D_ OTM160...250E_C_3D_

OT160-250_C_D_

[mm]	E3	E4
A	35	35
A1	116	116
A2	257	292
B	272	307

13 / OTM160-250E_C_2D_ C

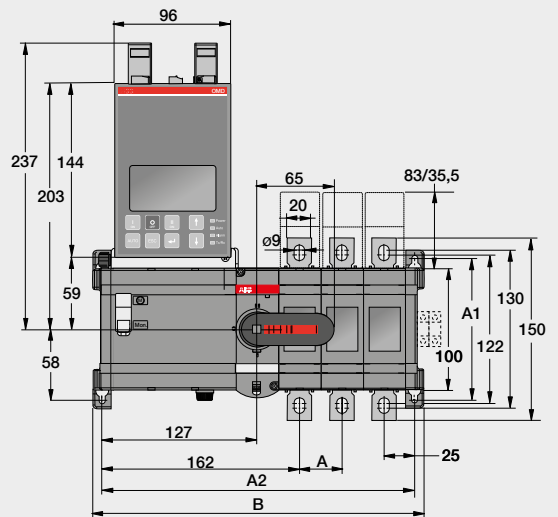
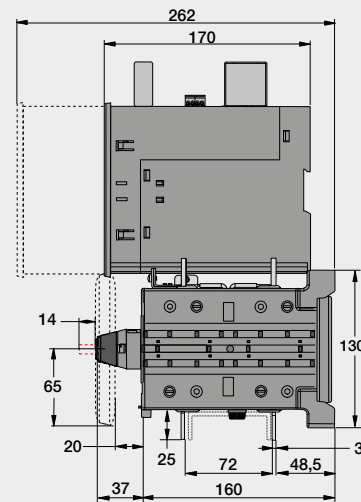


OTM160...250E_C_8D_

OT160-250_C_D_

[mm]	E03	E04
A	35	35
A1	116	116
A2	257	292
B	272	307

M00184 / OTM160-250E_C_8D_ C

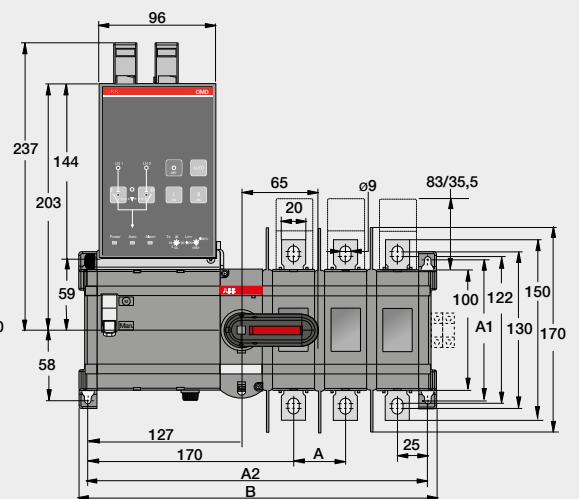
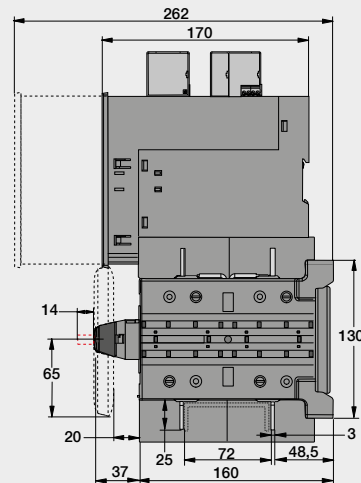


OTM160...250E_WC_2D_ OTM160...250E_WC_3D_

OT160-250_WC_D_

[mm]	E3	E4
A	43	43
A1	116	116
A2	281	324
B	296	339

M00186 / OTM160-250E_WC_2D_ C



Automatic transfer switches

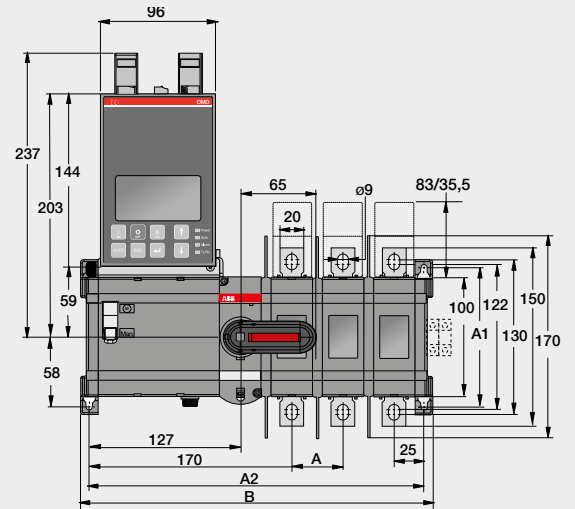
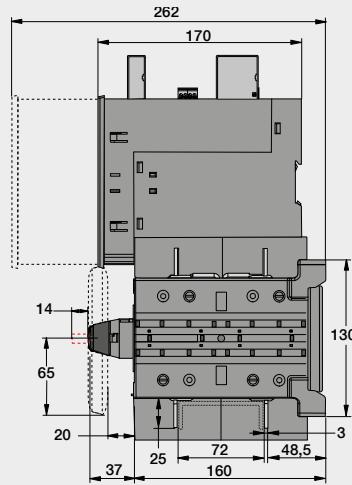
Dimensional drawings

OTM160...250E_WC_8D_

OT160-250_WC_D_

[mm]	E3	E4
A	43	43
A1	116	116
A2	281	324
B	296	339

M00187 / OTM160-250E_WC_8D_ C



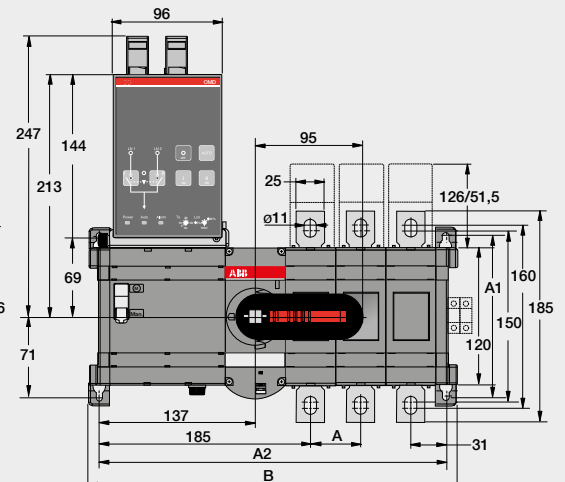
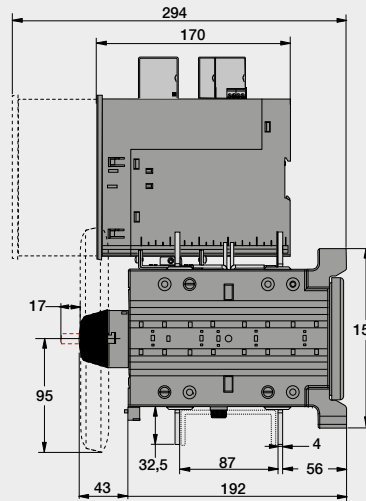
OTM315...400E_C_2D_

OTM315...400E_C_3D_

OTM315-400_C_D_

[mm]	E3	E4
A	44	44
A1	142	142
A2	304,5	348,5
B	323	367

M00192 / OTM315-400E_C_2D_ C

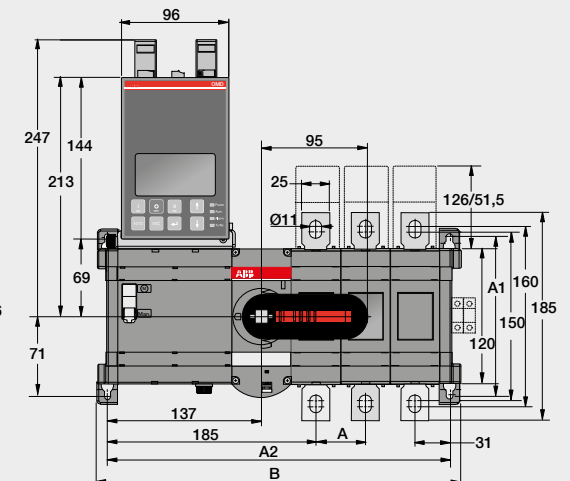
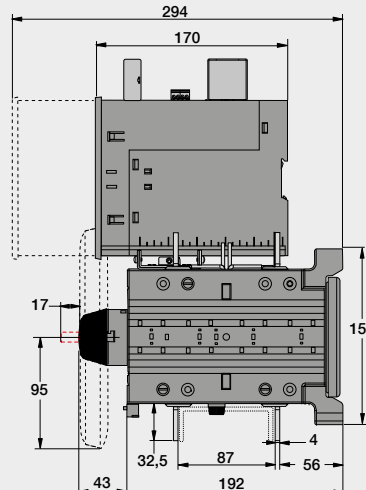


OTM315...400E_C_8D_

OTM315-400_C_D_

[mm]	E3	E4
A	44	44
A1	142	142
A2	304,5	348,5
B	323	367

M00193 / OTM315-400E_C_8D_ C



Automatic transfer switches

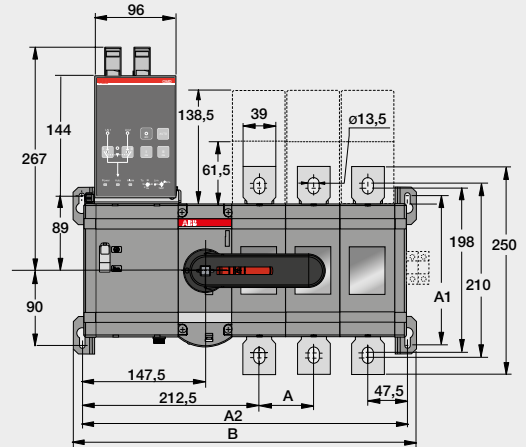
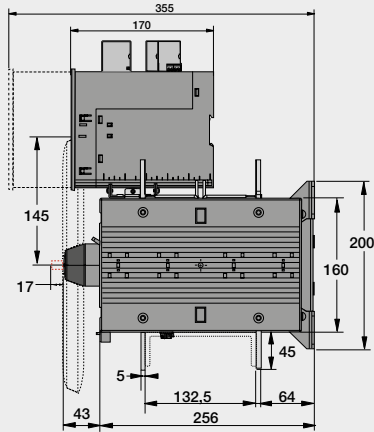
Dimensional drawings

OTM630...800E_C_2D_ OTM630...800E_C_3D_

OTM630-800_C_D_

[mm]	E2	E3	E4
A	65	65	65
A1	180	180	180
A2	325	390	455
B	346	411	476

M00204 / OTM630-800E_C_2D_ C

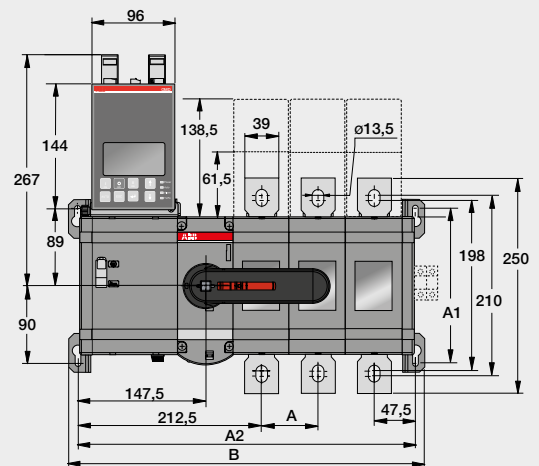
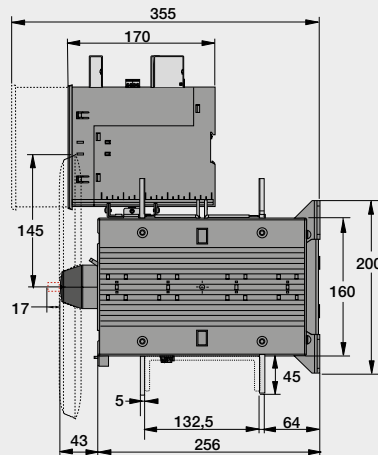


OTM630...800E_C_8D_

OTM630-800_C_D_

[mm]	E2	E3	E4
A	65	65	65
A1	180	180	180
A2	325	390	455
B	346	411	476

M00205 / OTM630-800E_C_8D_ C

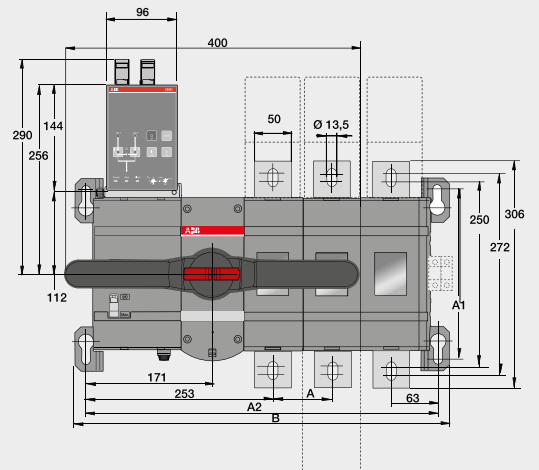
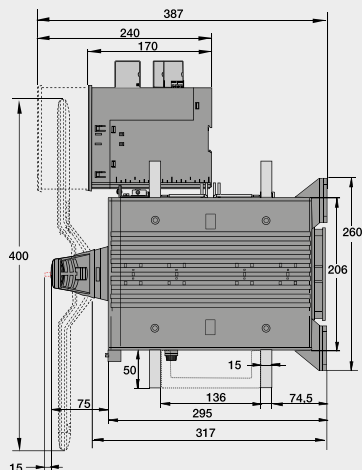


OTM1000...1250E_C2D_ OTM1000...1250E_C3D_

OTM1000-1250E_C_D_

[mm]	E2	E3	E4
A	80	80	80
A1	230	230	230
A2	396	476	556
B	426	506	586

M00262 / OTM1000_1250E2_4C2 B



Automatic transfer switches

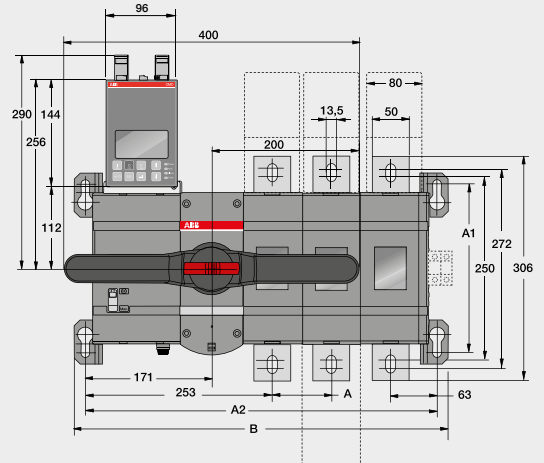
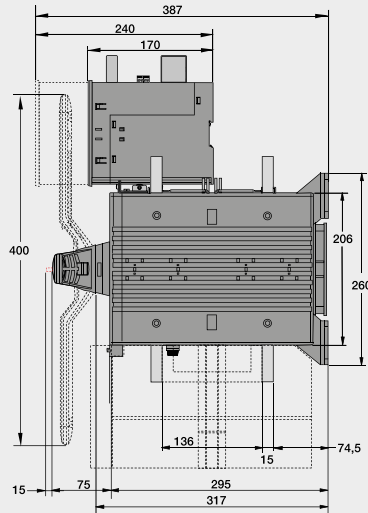
Dimensional drawings

OTM1000...1250E_C_8D

OTM1000-1250E_C_D

[mm]	E2	E3	E4
A	80	80	80
A1	230	230	230
A2	396	476	556
B	426	506	586

M00264 / OTM1000_1250E2_4C8_B



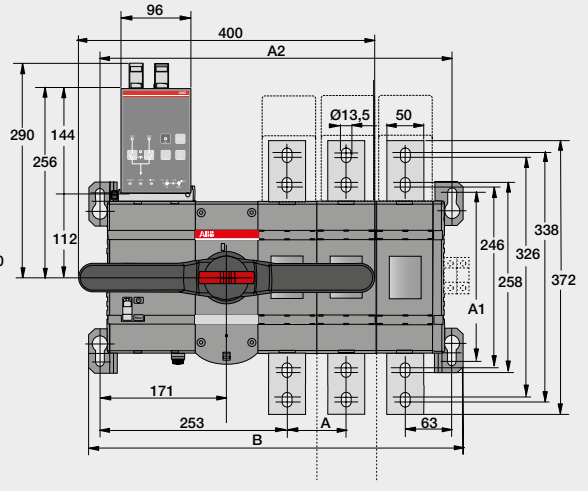
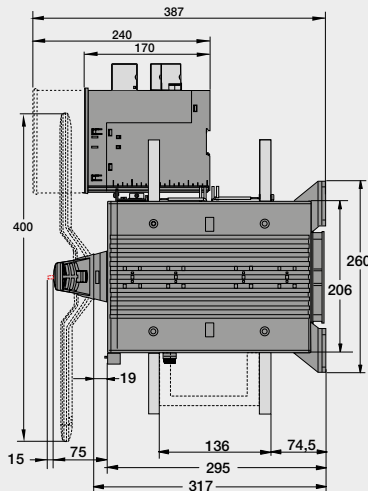
OTM1600E_C2D_

OTM1600E_C3D_

OTM1600_C_D

[mm]	E2	E3	E4
A	80	80	80
A1	230	230	230
A2	396	476	556
B	426	506	586

M00268 / OTM1600E2-4C2D_C

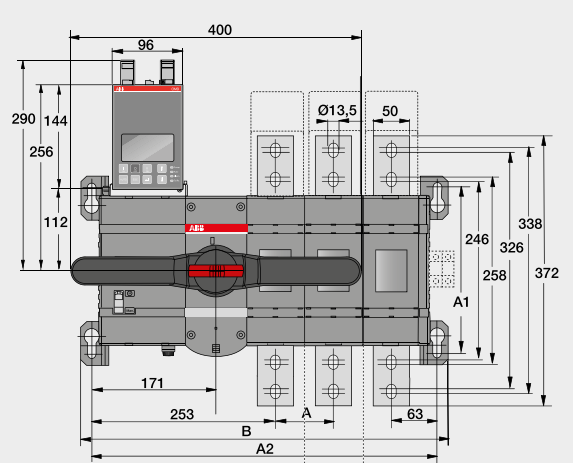
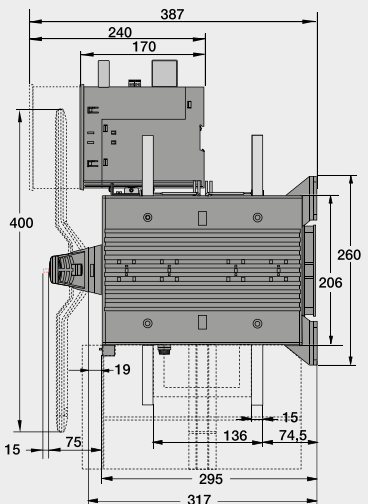


OTM1600E_C8D_

OTM1600E_C_D

[mm]	E2	E3	E4
A	80	80	80
A1	230	230	230
A2	396	476	556
B	426	506	586

M00269 / OTM1600E2_4C8_B



Optional accessories for automatic transfer switches

Ordering information for terminal shrouds



OTS_L_



OTS_S_

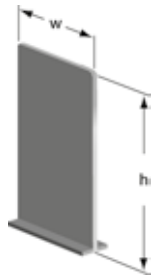
Terminal shrouds, grey plastic

Snap-on mounting to the switches, IP 20. A kit includes three or four shrouds which can be used on either side of the switch. Suitable for the upperswitch. Transparent shrouds for OT_160...1600 available on request, please replace the letter "G" with "T".

Suitable for switches	No. of poles	Description	Type	Order number	Units/type [pcs]	Weight/unit [kg]
OT_160...250_C	3	Long type	OTS250G1L/3	1SCA022731R8150	3	0.09
OT_160...250_C	3	Short type	OTS250G1S/3	1SCA022731R8310	3	0.06
OT_160...250_C	4	Long type	OTS250G1L/4	1SCA022731R8230	4	0.12
OT_160...250_C	4	Short type	OTS250G1S/4	1SCA022731R8400	4	0.08
OT_315...400_C	3	Long type	OTS400G1L/3	1SCA022736R8840	3	0.15
OT_315...400_C	3	Short type	OTS400G1S/3	1SCA022736R9060	3	0.09
OT_315...400_C	4	Long type	OTS400G1L/4	1SCA022736R9490	4	0.20
OT_315...400_C	4	Short type	OTS400G1S/4	1SCA022736R9650	4	0.12
OT_600...800_C	3	Long type	OTS800G1L/3	1SCA022776R7890	3	0.32
OT_600...800_C	3	Short type	OTS800G1S/3	1SCA022776R8190	3	0.17
OT_600...800_C	4	Long type	OTS800G1L/4	1SCA022776R7970	4	0.42
OT_600...800_C	4	Short type	OTS800G1S/4	1SCA022776R8270	4	0.26
OT_1000...1600_C	3	Long type	OTS1600G1L/3	1SCA022871R9510	3	0.64
OT_1000...1600_C	3	Short type	OTS1600G1S/3	1SCA022871R9600	3	0.37
OT_1000...1600_C	4	Long type	OTS1600G1L/4	1SCA022871R9780	4	0.85
OT_1000...1600_C	4	Short type	OTS1600G1S/4	1SCA022871R9860	4	0.49

Optional accessories for automatic transfer switches

Ordering information for phase barriers



PB_

Phase barriers

The phase barriers designed for ABB Tmax T4-T5 MCCB's can also be used for OT_160...800 change-over switches. 3-pole change-overs need 8 barriers and 4-pole change-overs need 12 barriers for full protection.

Suitable for switches	No. of poles	Height h [mm]	Cutting width W of the phase barrier [mm]	Type	Order number	Units/type [pcs]
OT_160...250E_C	3	100	55	PB100 low	1SDA054970R1	4
OT_160...250E_C	3	200	55	PB200 high	1SDA054972R1	4
OT_160...250E_C	4	100	55	PB100 low	1SDA054971R1	6
OT_160...250E_C	4	200	55	PB200 high	1SDA054973R1	6
OT_315...400E_C	3	100	67	PB100 low	1SDA054970R1	4
OT_315...400E_C	3	200	67	PB200 high	1SDA054972R1	4
OT_315...400E_C	4	100	67	PB100 low	1SDA054971R1	6
OT_315...400E_C	4	200	67	PB200 high	1SDA054973R1	6
OT_600...800E_C	3	100	90	PB100 low	1SDA054970R1	4
OT_600...800E_C	3	200	90	PB200 high	1SDA054972R1	4
OT_600...800E_C	4	100	90	PB100 low	1SDA054971R1	6
OT_600...800E_C	4	200	90	PB200 high	1SDA054973R1	6

Optional accessories for automatic transfer switches

Ordering information for terminal clamps



OZXB2L



OZXB7L



OZXB9

Terminal clamp sets for Al- and Cu-cables

Suitable for switches	Cable cross section [mm ²]	Suitable shroud	Type	Order number	Units/type [pcs]	Delivery batch [pcs]	Weight/unit [kg]
OT_160...250E_C	10...70	OTS250_L	OZXB1L	1SCA022169R2030	3	1	0.15
OT_160...250E_C	10...70	OTS250_L	OZXB1L/1	1SCA022194R0030	1	50	0.05
OT_160...250E_C	25...120	OZXB2K	OZXB2	1SCA022119R7610	3	1	0.34
OT_160...250E_C	25...120	OZXB2K	OZXB2/1	1SCA022194R0200	1	50	0.12
OT_160...250E_C	25...120	OZXB2K	OZXB2L	1SCA022158R7750	3	1	0.43
OT_160...250E_C	25...120	OZXB2K	OZXB2L/1	1SCA022194R0460	1	50	0.15
OT_160...250E_C	95...185	OTS250_L	OZXB8	1SCA022744R1510	3	1	0.50
OT_160...250E_C	95...185	OTS250_L	OZXB8/1	1SCA022744R1600	1	20	0.15
OT_160...250E_C	95...240	OTS250_L	OZXB9	1SCA022750R3210	3	1	0.50
OT_160...250E_C	95...240	OTS250_L	OZXB9/1	1SCA022750R3300	1	20	0.15
OT_315...400E_C	25...120	OZXB2K	OZXB2L	1SCA022158R7750	3	1	0.43
OT_315...400E_C	25...120	OZXB2K	OZXB2L/1	1SCA022194R0460	1	50	0.15
OT_315...400E_C	70...185	OZXB3K	OZXB3	1SCA022136R8100	3	1	1.28
OT_315...400E_C	70...185	OZXB3K	OZXB3/1	1SCA022194R0620	1	20	0.43
OT_315...400E_C	2x(70...185)	OZXB3K	OZXB4	1SCA022137R4760	3	1	1.71
OT_315...400E_C	2x(70...185)	OZXB3K	OZXB4/1	1SCA022194R0890	1	20	0.57
OT_315...400E_C	120...240	OZXB5K	OZXB7	1SCA022185R0040	3	1	1.00
OT_315...400E_C	120...240	OZXB5K	OZXB7/1	1SCA022194R1430	1	20	0.34
OT_315...400E_C	120...240	OZXB5K	OZXB7L	1SCA022185R7130	3	1	1.17
OT_315...400E_C	120...240	OZXB5K	OZXB7L/1	1SCA022194R1600	1	20	0.40
OT_315...400E_C	95...185	OTS400_L	OZXB8	1SCA022744R1510	3	1	0.50
OT_315...400E_C	95...185	OTS400_L	OZXB8/1	1SCA022744R1600	1	20	0.15
OT_315...400E_C	95...240	OTS400_L	OZXB9	1SCA022750R3210	3	1	0.50
OT_315...400E_C	95...240	OTS400_L	OZXB9/1	1SCA022750R3300	1	20	0.15

Optional accessories for automatic transfer switches

Ordering information for bridging- and reversing bars



OTZC13...34



OTZC43...44

OTZC53...54

Bridging bars

The bridging bars provide a connection link either on the incoming or outgoing side of the switch.

Suitable for switches	No. of poles	Type	Order number	Units/type [pcs]	Weight/unit [kg]
OT_160...250_C	3	OTZC13	1SCA022767R6910	3	0.6
OT_160...250_C	4	OTZC14	1SCA022767R7040	4	0.8
OT_315...400_C	3	OTZC23	1SCA022767R7120	3	0.6
OT_315...400_C	4	OTZC24	1SCA022767R7210	4	0.8
OT_600_C...800E_C	3	OTZC33	1SCA022785R7020	3	1.0
OT_600_C...800E_C	4	OTZC34	1SCA022785R7110	4	1.3
OT_1000...1250E_C	3	OTZC43	1SCA022868R0710	3	4.2
OT_1000...1250E_C	4	OTZC44	1SCA022868R0800	4	5.6
OT_1600E_C	3	OTZC53	1SCA022868R0980	3	5.6
OT_1600E_C	4	OTZC54	1SCA022868R1010	4	7.4
OT_1600E_C	3	OTZC63	1SCA022868R1100	3	10.8
OT_1600E_C	4	OTZC64	1SCA022868R1360	4	14.5
OT_3200E_C	3	OTZC73	1SCA128843R1001	3	14.1
OT_3200E_C	4	OTZC74	1SCA128844R1001	4	18.7



OTZR_

Reversing bars

A reversing switch can be built by using phase sequence bars in two phases.

The kit includes two phase sequence conversion bars. The missing bridging bars must be ordered separately, see above. For example 3-pole switches: one 4-pole standard bridging bar kit is required (one bar for the reversing side, three bars for the other side).

Suitable for switches	Type	Order number	Units/type [pcs]	Weight/unit [kg]
OT_160...250_C	OTZR1	1SCA100352R1001	2	0.3
OT_315...400_C	OTZR2	1SCA104647R1001	2	0.3
OT_600_C...800E_C	OTZR3	1SCA100355R1001	2	0.4

Optional accessories for automatic transfer switches

Ordering information and technical data for auxiliary contacts



OA1G01
OA7G01



OA1G10
OA8G01



OA2G11

Auxiliary contact blocks for OTM40...125F

Snap-on mounting to the switch, IP 20, max. 2 blocks/ side. $I_{th} = 16$ A, suitable for cable cross sections max. $2 \times 2,5$ mm². Simultaneous action with the main contacts.

Suitable for switches	Contact functions	Installation side	Type	Order number	Delivery batch [pcs]	Weight/unit [kg]
OT_16...125F_C	1NO	Right	OA1G10	1SCA022353R4970	10	0.03
OT_16...125F_C	1NC	Right	OA8G01	1SCA022744R2240	10	0.03
OT_16...125F_C	1NO	Left	OA7G10	1SCA022673R1140	10	0.03
OT_16...125F_C	1NC	Left	OA1G01	1SCA022353R4890	10	0.03
OT63...125F3C	1NO+1NC	Either	OA2G11 ¹⁾	1SCA022379R8100	10	0.03

¹⁾ Not mountable on 4-pole change-over switches

Auxiliary contact blocks for OTM160...3200

Mounting on the right side of the switch: Max. 4 auxiliary contact blocks/switch (totally 8 blocks). Types _AU have gold plated contacts for harsh environments and low operating voltages. Simultaneous action with the main contacts, IP20.

Suitable for switches	Contact functions	Installation side	Type	Order number	Delivery batch [pcs]	Weight/unit [kg]
OT_160...3200_	1NO	Right	OA1G10	1SCA022353R4970	10	0.03
OT_160...3200_	1NC	Right	OA3G01	1SCA022456R7410	10	0.03
OT_160...3200_	1NO	Right	OA1G10AU	1SCA022436R7910	10	0.03
OT_160...3200_	1NC	Right	OA3G01AU	1SCA022819R5260	10	0.03

Auxiliary contacts

Technical data for auxiliary contacts according to IEC 60947-5-1, for OA1G_, OA2G_, OA3G_, OA7G_, OA8G_

U _e /[V]	AC15		DC12		DC13	
	I _e /[A]	U _e /[V]	I _e /[A]	P/[W]	I _e /[A]	P/[W]
230	6	24	10	240	2	50
400	4	72	4	290	0.8	60
415	4	125	2	250	0.55	70
690	2	250	0.55	140	0.27	70
		440	0.1	44		

Function tables

Function table of OT160...3200, OT160...800_Y and OTM160...2500 auxiliary contacts / Switch I (max. 2+2)

Handle position	Main contacts	OA1G10 NO	OA3G01 NC
I	closed	closed	open
0	open	open	closed
II	closed	open	closed

Function table of OT160...3200, OT160...800_Y and OTM160...2500 auxiliary contacts / Switch II (max. 2+2)

Handle position	Main contacts	OA1G10 NO	OA3G01 NC
I	closed	open	closed
0	open	open	closed
II	closed	closed	open

Optional accessories for automatic transfer switches

Ordering information for automatic control units and related accessories



OMD200

Automatic control units

OMD automatic control units can be used with OTM160...3200 motorized change-over switches in order to assemble an automatic transfer switch. The type and ordering codes include the OMD control unit, PCB connectors and 2 OMZD1 fasteners for door mounting.

If used with OTM40...125_CMA_:

1 x OTM40...125_CMA_ motorized change-over switch and 2 or 3 x OZXT6 terminal clamp sets (including voltage sensing connection) must be ordered separately to be able to assemble an automatic transfer switch.

If used with OTM160...3200_CM_:

1 x OTM160...3200_CM_ motorized change-over switch, 1 x OMZB_ voltage sensing connectors and 2 x OA1G10 auxiliary contacts must be ordered separately to be able to assemble an automatic transfer switch. The control unit can be mounted on a door or on DIN rail.



OMD300



OMD800

Suitable for switches	Type	Order number	Units/type [pcs]	Weight/unit [kg]
OTM40...3200_CM_	OMD200E480C-A1	1SCA123789R1001	1	0.8
OTM40...3200_CM_	OMD300E480C-A1	1SCA123790R1001	1	1.0
OTM40...3200_CM_	OMD800E480C-A1	1SCA123791R1001	1	1.3

Panel fasteners

For mounting the OMD automatic control unit on the door. The type and ordering code is for 1 piece, so 2 units must be ordered for mounting the control on the door.

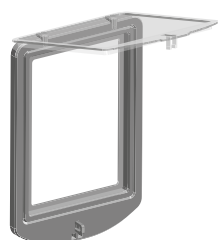


OMZD1

Suitable for OMD control unit	Type	Order number	Units/type [pcs]
OMD200_, OMD300_, OMD800_	OMZD1	1SCA022787R5190	1

Cover plate

Providing protection against accidental contact. Padlockable transparent cover. The type and ordering codes are for 1 piece.



OMZC2

Suitable for OMD control unit	Type	Order number	Units/type [pcs]
OMD200_, OMD300_, OMD800_	OMZC2	1SCA101001R1001	1

Optional accessories for automatic transfer switches

Ordering information for dual power sources



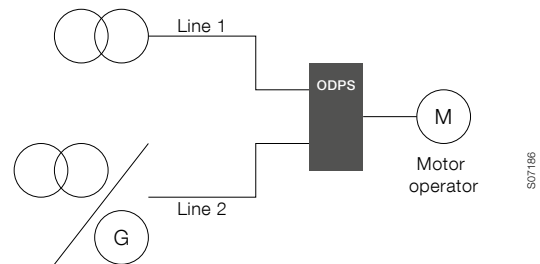
ODPSE230C

Dual power source

Provides power supply to the motor operator by using two lines. The device has two inputs, from line I (LN I) and line II (LN II), and one output for the motor operator. The motor operator is automatically energized whenever power is available in one of the lines. Can be used with 230VAC motor operators. Snap-on mounted PCB connectors are included in the delivery. The device can be DIN-rail or screw mounted.

Suitable for switches	Type	Order number	Units/type [pcs]	Weight/unit [kg]
OTM40...3200_	ODPSE230C	1SCA116892R1001	1	0.3

Connection diagram, ODPSE230C



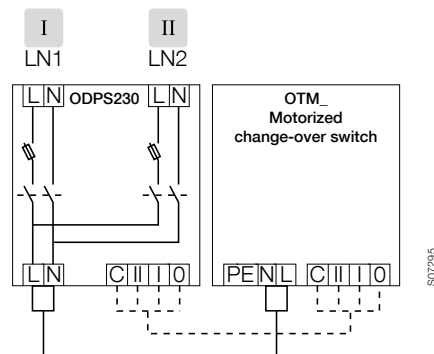
ODPS230

Dual power source including ATS functionality

Similar to previous dual power source but also including ATS (Automatic Transfer Switch) functionality and in-built short-circuit protection. Provides power supply to the motor operator by using two 220...240 V AC lines. Motor operator is automatically energized whenever power is available in one of the lines. The device has a three position (AUTO-MAN-O) DIP switch to choose the correct operating mode. The AUTO position enables and the MAN position disables the ATS functionality when used with OTM motorized change-over switch. The O position is used for safety reasons: it operates the OTM to position 0 to isolate the load from the feeding sources. The device can be DIN-rail or screw mounted.

Suitable for switches	Type	Order number	Units/type [pcs]	Weight/unit [kg]
OTM40...3200	ODPS230	1SCA122946R1001	1	0.3

Connection diagram, ODPS230



Technical data and dimensional drawings to be found on the following pages. For further information on dual power sources please refer to page 74.

Optional accessories for automatic transfer switches

Technical data and dimensional drawings for dual power sources

Technical data for dual power source ODPSE230C

Dual power source ODPSE230C	
Rated operational voltage U [V]	220...240 V AC +/- 20%
Rated frequency	50 / 60 Hz +/- 10%
Short-circuit protection device	Max. MCB 4 A
Nominal output current I _n [A]	4 A
Startup time	Max. 1.0 s (with 230 V AC)
Operating transfer time LN1 - LN2 or LN2 - LN1	Max. 0.5 s (with 230 V AC)
Cable size	0,2...2,5 mm ²
Rated impulse withstand voltage, U _{imp}	4 kV
Overvoltage category	III
Pollution degree	3
Protection rating for the front panel	IP20
Operating temperature	- 25...+ 60 °C
Transportation and storage temperature	- 40...+ 70 °C
Altitude	Max. 2 000m

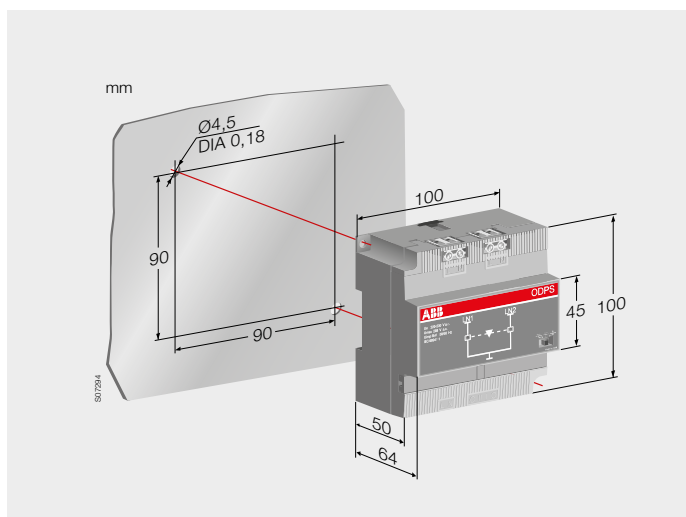
Technical data for new dual power source ODPS230 with ATS functionality

Dual power source ODPS230	
Rated operational voltage U [V]	220...240 V AC, 50 / 60 Hz
Maximum voltage	288 V AC
Pick-up voltage	≥198 V AC
Drop-out voltage	≤154 V AC
Operating time	1 s ± 0.5 s
Nominal output current I _n [A]	3,15 A
Rated conditional short-circuit current, I _p (r.m.s.)	50 kA
Internal fuse	T/3,15A/H*
Fuse size	6,3 x 32 mm
Rated impulse withstand voltage, U _{imp}	4 kV
Overvoltage category	III
Pollution degree	3
Cable size	Max. 6 mm ²
Protection rating for the front panel	IP20
Operating temperature	- 25...+ 60 °C
Transportation and storage temperature	- 40...+ 70 °C
Altitude	Max. 2 000m

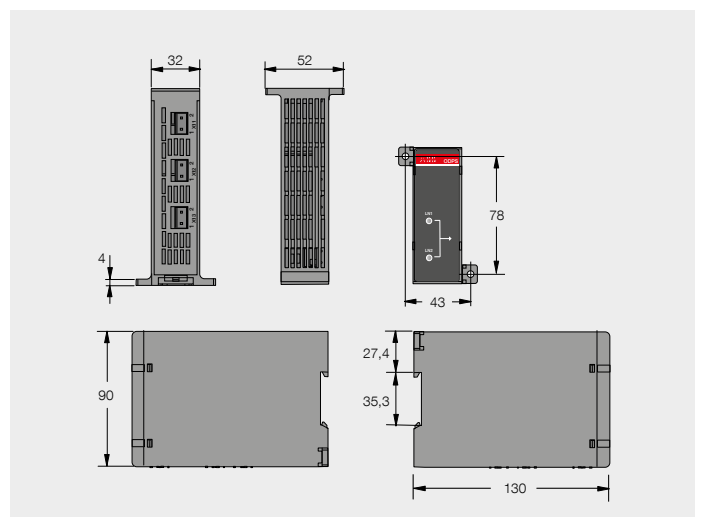
* The breaking capacity must be 50 kA to achieve 50 kA I_p (r.m.s.) rating

Dimensional drawings for dual power sources

ODPS230



ODPSE230C





Manual and motorized bypass switches

Open transition from 160 to 800 Amperes

Introduction to manual and motorized bypass switches

General information	104
Product range	105
Type codes and functionality in brief	107

Technical data

OTM160...800_Y_	108
Motor operators	109

Ordering information

Manual OT160...800E_YP	110
Motorized OTM160...800E_YM_C	112

Dimension drawings

Manual bypass switches	114
Motorized bypass switches	115

Ordering information for optional accessories

External handles and terminal shrouds	116
Phase barriers	117
Terminal clamps	118
Bridging- and reversing bars	119
Auxiliary contacts	120

ABB's manual and motorized bypass switches are the best solution for optimized and efficient panel design.

Manual and motorized bypass switches Optimized performance in a compact device



Manual bypass switches shown above.

Our comprehensive range of bypass switches from 160 to 800 Amperes is the best solution for an optimized and efficient panel design, for safe maintenance of critical components. Traditionally, bypass switches were built using individual switch-disconnectors connected with conversion kits. ABB offers a modern solution: one single device, consisting of three switches and no conversion kits. This does not only have a high performance, but optimizes space.



Innovative space-saving design

Three switches are stacked on top of each other; so the total footprint is equivalent to only one switch. ABB's bypass switches can be fitted into a smaller cabinet, compared to bypass switches built using conversion kits. This enables the customer to create more compact panels with an optimized design.

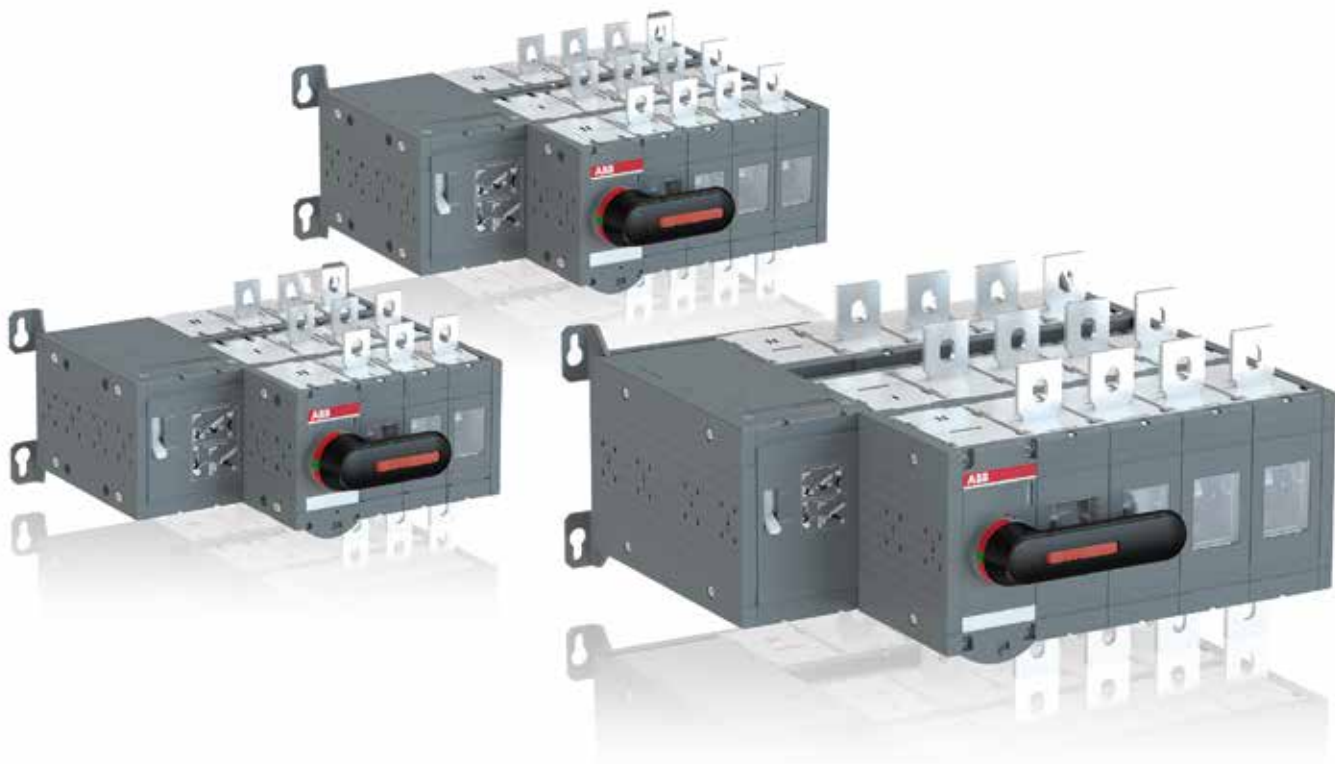


Safe operation and maintenance

ABB's bypass switches fulfill isolating requirements according to standard IEC 60947-3, so there is no need for additional isolating devices. The equipment can be safely maintained while the load is being supplied directly from the source.

Manual and motorized bypass switches

Open transition from 160 to 800 Amperes



Motorized bypass switches shown above.



Manual operation, bypass switches, 160-800 A

Types	OT160_Y			OT315_Y		OT630_Y	
	OT200_Y			OT400_Y		OT800_Y	
	OT250_Y						
I_{th} /A	160	200	250	315	400	630	800
I_v /AC-22A, < 415V	160	200	250	315	400	630	800
I_v /AC-23A, < 415V	160	200	250	315	400	630	800



Motorized operation, bypass switches, 160-800 A

Types	OTM160_Y			OTM315_Y		OTM630_Y	
	OTM200_Y			OTM400_Y		OTM800_Y	
	OTM250_Y						
I_{th} /A	160	200	250	315	400	630	800
I_v /AC-22A, < 415V	160	200	250	315	400	630	800
I_v /AC-23A, < 415V	160	200	250	315	400	630	800

Manual and motorized bypass switches

Type codes and functionality in brief

Type codes

Understanding the type code keys below will help you quickly identify the correct product for your needs. The simple naming system allows you to see the products type, Ampere rating, standard classification and number of poles, all in one glance.

Explanation of the manual bypass switches types OT160...3200_C

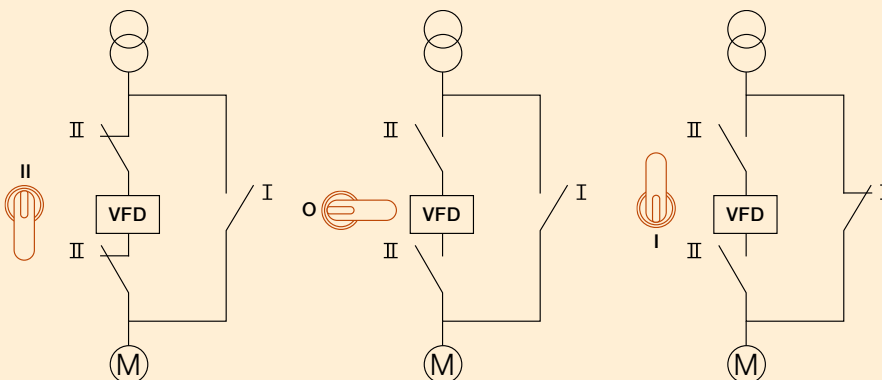
Option:	OT250	E	03	C	P
Position:	1	2	3	4	5
1	Brand and Switch size / Ampere rating				
2	Standard E: IEC				
3	Number of the poles 03: 12 04: 13 22: 33				
4	Bypass switch				
5	Included handle P: Pistol handle + shaft				

Explanation of the motorized bypass switches types OTM160...2500_C

Option:	OTM250	E	3	Y	M	230C
Position:	1	2	3	4	5	6
1	Brand and Switch size / Ampere rating					
2	IEC E: IEC					
3	Number of the poles 3: 3-poles 4: 4-poles					
4	Bypass switch					
5	Motorized bypass switch					
6	Voltage for motor operator 230C: 220...240 V AC					

Functionality in brief

This simplified diagram illustrates the basic functionality and application of these switch products.





Manual and motorized bypass switches

Technical data for OT and OTM160...800_Y_

Manual and motorized bypass switches

Data according to IEC 60947-3				Switch size , OTM_						
				OTM160_	OTM200_	OTM250_	OTM315_	OTM400_	OTM630_	OTM800_
Rated insulation voltage and rated operational voltage AC20/DC20		Pollution degree 3	V	1000	1000	1000	1000	1000	1000	1000
Dielectric strength		50 Hz 1min.	kV	10	10	10	10	10	10	10
Rated impulse withstand voltage			kV	12	12	12	12	12	12	12
Rated thermal current and rated operational current AC20/DC20	/ ambient 40°C	In open air	A	160	200	250	315	400	630	800
		In enclosure	A	160	200	250	315	400	630	800
..with minimum conductor cross section	/ ambient 40°C	Cu	mm ²	70	95	120	185	240	2x185	2x240
Rated operational current, AC-21A		up to 500 V	A	160	200	250	315	400	630	800
		690 V	A	160	200	250	315	400	630	800
Rated operational current, AC-22A		up to 500 V	A	160	200	250	315	400	630	800
		690 V	A	160	200	250	315	400	630	800
Rated operational current, AC-23A		up to 415 V	A	160	200	250	315	400	630	800
		440 V	A	160	200	250	315	400	630	800
		500 V	A	160	200	250	315	400	630	800
		690 V	A	160	200	250	315	400	630	800
Rated operational current / poles in series, DC-21A1)		≤ 110 V	A	160/2	200/2	250/2	315/14)	400/14)	630/1	800/1
		220 V	A	160/2	200/2	250/2	315/24)	400/24)	630/1	800/1
		440 V	A	160/3	200/3	230/3	315/3	360/3	630/2	720/2
		660 V	A	160/4	200/4	200/4	315/4	315/4	630/44)	630/44)
Rated operational power, AC-23A ²⁾ The kW-ratings are accurate for 3-phase 1500 R.P.M. standard asynchronous motors		230 V	kW	45	60	75	100	132	200	250
		400 V	kW	90	110	140	160	220	355	450
		415 V	kW	90	110	145	180	230	355	450
		500 V	kW	110	132	170	220	280	400	560
		690 V	kW	160	200	250	315	400	630	800
Rated breaking capacity in category AC-23		up to 415 V	A	1 280	1 600	2 000	2 520	3 200	5 040	6 400
		500 V	A	1 280	1 600	2 000	2 520	3 200	5 040	6 400
		690 V	A	1 280	1 600	2 000	2 520	3 200	5 040	6 400
Rated conditional short-circuit current I _p (r.m.s.) and cut-off current I _c (peak) value. The cut-off current I _c refers to values listed by fuse manufacturers (single phase test acc. to IEC60269).	Ip (r.m.s.) 80 kA, 415 V Max. OFA_fuse size	I _c (peak)	kA	40.5	40.5	40.5	59	59	83.5	83.5
		gG/aM	A/A	355/315	355/315	355/315	500/500	500/500	800/1 000	800/1 000
	Ip (r.m.s.) 100 kA, 500 V Max. OFA_fuse size	I _c (peak)	kA	40.5	40.5	40.5	61.5	61.5	90	90
		gG/aM	A	315/315	315/315	315/315	500/450	500/450	800/800	800/800
Ip (r.m.s.) 80 kA, 690 V Max. OFA_fuse size	I _c (peak)	kA	40.5	40.5	40.5	59	59	83.5	83.5	
	gG/aM	A	355/315	355/315	355/315	500/500	500/500	800/1 000	800/1 000	
Rated short-time withstand current I _{cw} (r.m.s.)		690 V 0.15s	kA	15	15	15	31	31	38	38
		690 V 0.25s	kA	15	15	15	24	24	36	36
		690 V 1s	kA	8	8	8	15	15	20	20
Rated short-time making capacity ³⁾	I _{cm} (peak) ⁴⁾	690 V	kA	30	30	30	65	65	80	80
Power loss / pole	With rated current		W	2.4	4	6.5	6.5	10	25	40
Mechanical endurance	Number of oper. cycles ⁵⁾		Cycles	8 000	8 000	8 000	8 000	8 000	5 000	5 000
Terminal bolt size	Metric thread diameter x length		mm	M8x25	M8x25	M8x25	M10x30	M10x30	M12x40	M12x40
Terminal tightening torque	Counter torque required		Nm	15-22	15-22	15-22	30-44	30-44	50-75	50-75
Operating torque	Typical for 3-pole bypass switches		Nm	14	14	14	32	32	54	54
Weight without accessories	Manual bypass switches	3-pole switch	kg	4.3	4.3	4.3	8.2	8.2	19.9	19.9
		4-pole switch	kg	5.8	5.8	5.8	11.0	11.0	26.6	26.6

¹⁾ Further ratings on request

²⁾ These values are given for guidance and may vary acc. to the motor manufacturer

³⁾ Short circuit duration > 50ms, without fuse protection

⁴⁾ Max. distance from switch frame to nearest busbar / cable support 150 mm

⁵⁾ Operating cycle: O - I - O - II - O

Manual and motorized bypass switches

Technical data for motor operators

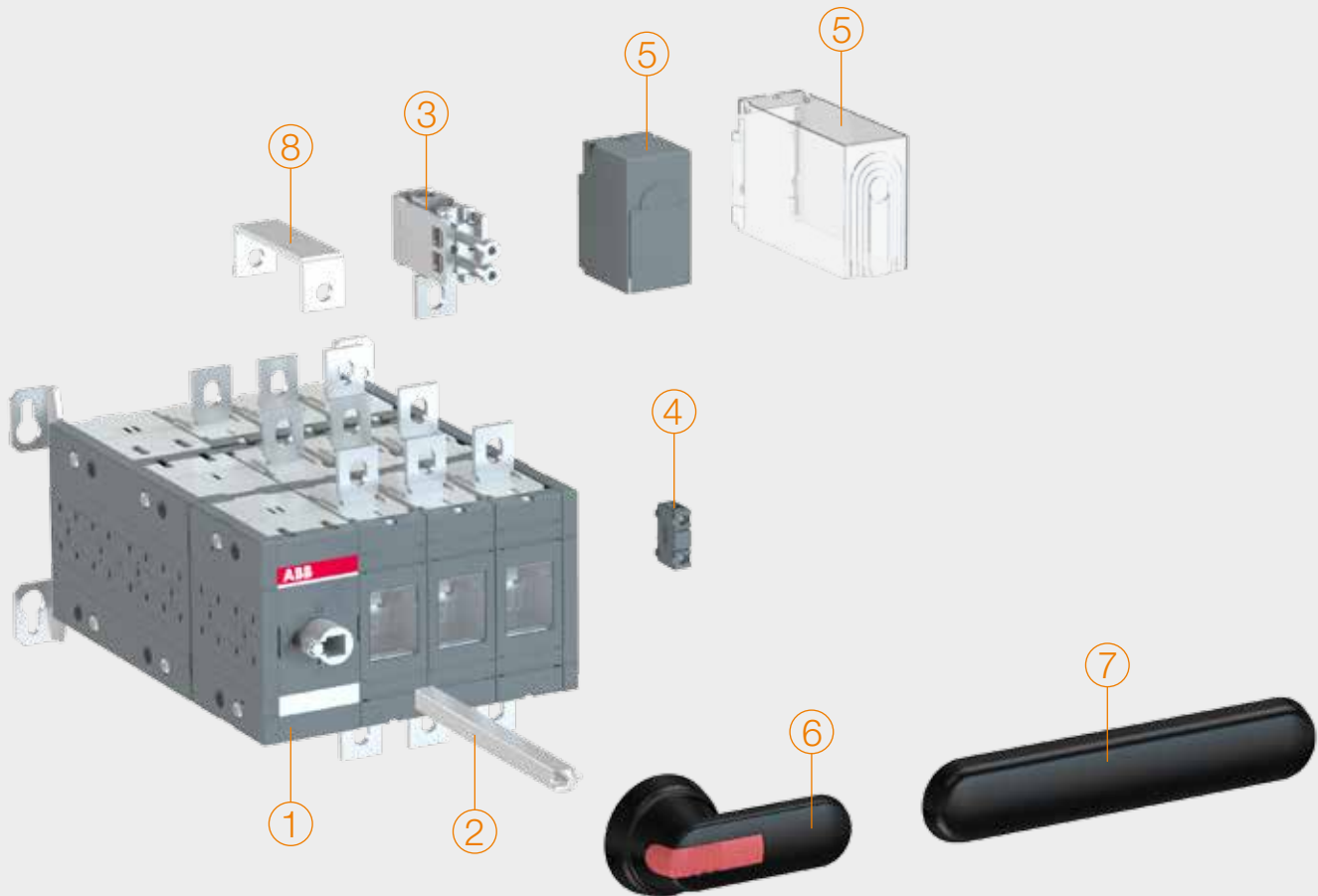
Motorized bypass switches, Motor operator

Data according to IEC 60947				Switch size		
				160...250	315...400	630...800
Rated operational voltage U _e	Pollution degree 3	50/60 Hz	V AC	220 - 240		
Operating voltage range				0,85 - 1,1 x U _e		
Operating time ¹⁾	90° I-0, 0-I, 0-II, II-0	220-240VAC	s	0.4-1.0	0.4-1.0	0.4-1.0
Operating transfer time ¹⁾	180° I-0-II, II-0-I	220-240VAC	s	1.0-2.0	0.9-2.0	0.9-2.0
OFF -time when operating I-II or II-I ¹⁾	180° I-II, II-I	220-240VAC	s	0.4-1.0	0.4-1.0	0.4-1.0
Nominal current I _{n1}		220-240VAC	A	0.2	0.5	0.7
Current inrush ¹⁾		220-240VAC	A	1.3	2.1	2.8
Overload fuse	Type / I _n / Capacity	220-240VAC	mA	T/315/H	T/500/H	T/1 000/H
Operating rate	Cycle 0-I-0-II-0,	220-240VAC	cycles/min	1	1	1
Overvoltage category				III		
Rated impulse withstand voltage U _{imp}			kV	4		
Dielectric strength		50 Hz 1 min.	kV	1.5		
Impulse command		Min. impulse duration	ms	100		
Terminals						
Voltage supply wiring for U _e				PE - N - L		
Cross section		solid/stranded	mm ²	1.5 - 2.5		
Short-circuit protection device		max. MCB	A	C16		
Control terminal (no SELV)				C - II - I - 0		
Cross section		solid/stranded	mm ²	1.5 - 2.5		
Maximum cable length			m	100		
State information of locking (no SELV)						
Handle attached or motor operator locked		11-12-14 (C/O)		5A/250V/cosφ=1		
Locking motor operator		23-24 (NO)		5A/250V/cosφ=1		
Short-circuit protection device		Max. MCB	A	C2		
Protection degree				IP20		
Operating temperature			°C	-25...+55		
Transportation and storage temperature			°C	-40...+70		
Max. altitude			m	2 000		

1) Under nominal conditions

Manual and motorized bypass switches

Ordering information for OT160...800E03_YP



Bypass switches accessory guide

- | | |
|-------------------------|---------------------|
| 1. Manual bypass switch | 5. Terminal shroud |
| 2. Extended shaft | 6. Pistol handle |
| 3. Terminal clamp | 7. Handle extension |
| 4. Auxiliary contact | 8. Bridging bar |

Please note that not all listed accessories are automatically included in your order. See next page for recommendations.

Manual and motorized bypass switches

Ordering information for manual OT160...800E_YP



OT160...250E03_YP



OT315...400E03_YP



OT630...800E03_YP

Manual bypass switches, open transition, OT160...800E_YP

Delivered with a black plastic IP65 I-O-II pistol handle and a handle extension for enabling smooth manual operation, shaft and bolt set for the cable connection. The handle extension is snap-on mounted on the standard handle for manual operation. The handle extension shall be removed when padlocking the standard handle. Handle padlockable in the 0-position, door interlock in the I- and II-positions and when padlocked.

No. of poles	Rated current and power			Type	Order number	Weight/unit [kg]
	AC-21A/AC-22A		AC-23A			
	≤ 415V I[A]	400V S[kVA]	400...415V I[A]/P[kW]			
3	160	110	160/90	OT160E03YP	1SCA123551R1001	5.6
4	160	110	160/90	OT160E04YP	1SCA123556R1001	7.5
3	200	135	200/110	OT200E03YP	1SCA123552R1001	5.6
4	200	135	200/110	OT200E04YP	1SCA123557R1001	7.5
3	250	170	250/140	OT250E03YP	1SCA123553R1001	5.6
4	250	170	250/140	OT250E04YP	1SCA123558R1001	7.5
3	315	215	315/160	OT315E03YP	1SCA123581R1001	10.1
4	315	215	315/160	OT315E04YP	1SCA123583R1001	13.5
3	400	275	400/220	OT400E03YP	1SCA123582R1001	10.1
4	400	275	400/220	OT400E04YP	1SCA124026R1001	13.5
3	630	435	630/355	OT630E03YP	1SCA123590R1001	43.9
4	630	435	630/355	OT630E04YP	1SCA123592R1001	58.5
3	800	550	800/450	OT800E03YP	1SCA123591R1001	43.9
4	800	550	800/450	OT800E04YP	1SCA123593R1001	58.5



OHBZX200



OHBZX275

Shafts, handle, handle extension and bolt kits included as standard

Suitable for switches	Shaft	Handle	Handle extension	Bolt kit
OT160...250_Y	OXp6/12x161C	OHB65J12E011	OHBZX200	M8x25
OT315...400_Y	OXp12x166	OHB95J12E011	OHBZX200	M10x30
OT630...800_Y	OXp12x185	OHB125J12E011	OHBZX275	M12x40

Manual and motorized bypass switches

Ordering information for OTM160...800E_YM_C



Bypass switches accessory guide

- | | |
|---------------------------------|------------------------------|
| 1. Manual bypass switch | 5. Terminal shroud |
| 2. Terminal clamp | 6. Handle extension |
| 3. Auxiliary contact | 7. Voltage sensing connector |
| 4. Storage for handle and fuses | |

Please note that not all listed accessories are automatically included in your order. See next page for recommendations.

Manual and motorized bypass switches

Ordering information for motorized OTM160...800E_YM_C



OTM160...250E3YM230C



OTM315...400E3YM230C



OTM315...400E4YM230C



OTM630-800E3YM230C



OTM630-800E4YM230C



OTZC13



OTZC23

Motorized bypass switches, open transition, OTM160...800E_YM_C

Included a manual direct handle, bolt set for the cable connection and storage clip for handle and spare fuses. Handle padlockable in the 0-position.

No. of poles	Rated current and power			Type	Order number	Weight/unit [kg]
	AC-21A...AC-22A		AC-23A			
	≤ 415V I[A]	400V S[kVA]	400...415V I[A] / P[kW]			
Types -W: with wide phase distance.						
3	160	110	160/90	OTM160E3YM230C	1SCA141435R1001	7.72
4	160	110	160/90	OTM160E4YM230C	1SCA141436R1001	8.1
3	200	135	200/110	OTM200E3YM230C	1SCA141437R1001	7.72
4	200	135	200/110	OTM200E4YM230C	1SCA141438R1001	8.1
3	250	170	250/140	OTM250E3YM230C	1SCA141439R1001	7.72
4	250	170	250/140	OTM250E4YM230C	1SCA140870R1001	8.1
3	315	215	315/160	OTM315E3YM230C	1SCA141440R1001	14
4	315	215	315/160	OTM315E4YM230C	1SCA141441R1001	16
3	400	275	400/220	OTM400E3YM230C	1SCA136735R1001	14
4	400	275	400/220	OTM400E4YM230C	1SCA136677R1001	16
3	630	435	630/355	OTM630E3YM230C	1SCA136615R1001	25.9
4	630	435	630/355	OTM630E4YM230C	1SCA136613R1001	28.5
3	800	550	800/450	OTM800E3YM230C	1SCA136616R1001	25.9
4	800	550	800/450	OTM800E4YM230C	1SCA136614R1001	28.5

Recommended accessories: Bridging bars

Please note that two sets of bridging bars are required to make a complete connection.

Suitable for switches	No. of poles	Type	Order number	Units/type [pcs]	Weight/unit [kg]
OT_160...250_C,_Y	3	OTZC13	1SCA022767R6910	3	0.6
OT_160...250_C,_Y	4	OTZC14	1SCA022767R7040	4	0.8
OT_315...400_C,_Y	3	OTZC23	1SCA022767R7120	3	0.6
OT_315...400_C,_Y	4	OTZC24	1SCA022767R7210	4	0.8
OT_600_C...800E_C,_Y	3	OTZC33	1SCA022785R7020	3	1.0
OT_600_C...800E_C,_Y	4	OTZC34	1SCA022785R7110	4	1.3

Recommended accessories: Phase barriers

Suitable for switches	No. of poles	Height h [mm]	Cutting width W of the phase barrier [mm]	Type	Order number	Units/type [pcs]
OT_160...250E_C	3	100	55	PB100 low	1SDA054970R1	4
OT_160...250E_C	3	200	55	PB200 high	1SDA054972R1	4
OT_160...250E_C	4	100	55	PB100 low	1SDA054971R1	6
OT_160...250E_C	4	200	55	PB200 high	1SDA054973R1	6
OT_315...400E_C	3	100	67	PB100 low	1SDA054970R1	4
OT_315...400E_C	3	200	67	PB200 high	1SDA054972R1	4

Manual and motorized bypass switches

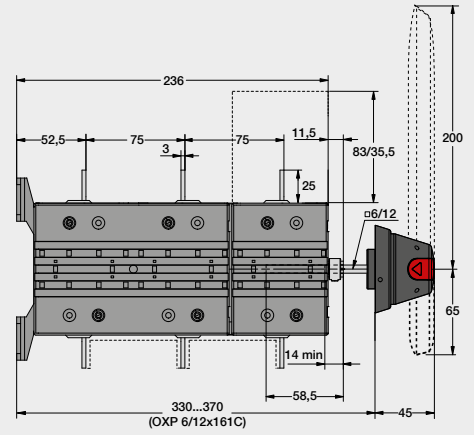
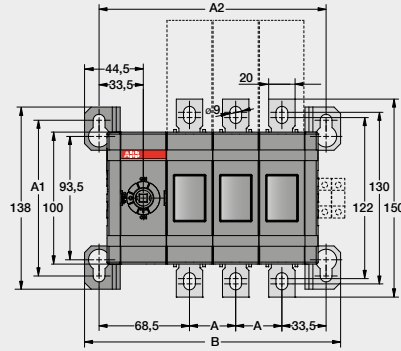
Dimensional drawings for manual bypass switches

OT160...250E03/04Y

OT160...250_Y_

	E03	E04
A	35	35
A1	118	118
A2	172	207
B	194	229

M00405 / OT160-250E02-04Y A

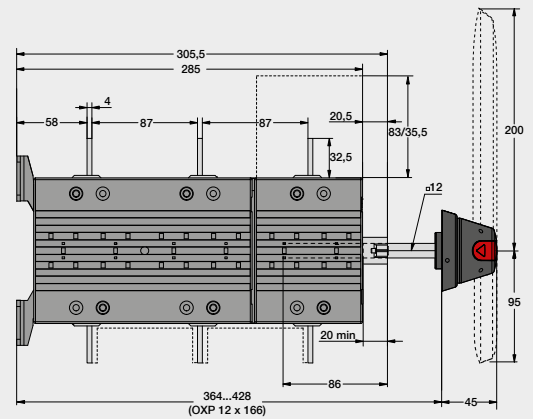
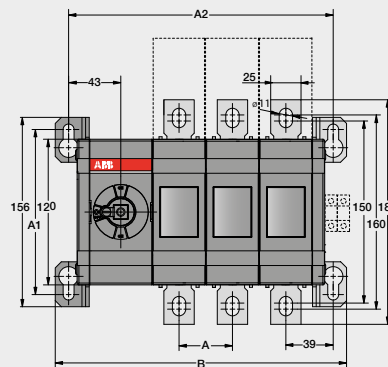


OT315...400E03/04Y

OT315...400E_Y

	E03	E04
A	44	44
A1	136	136
A2	218	262
B	240	284

M00409 / OT315-400E02-04Y B/E

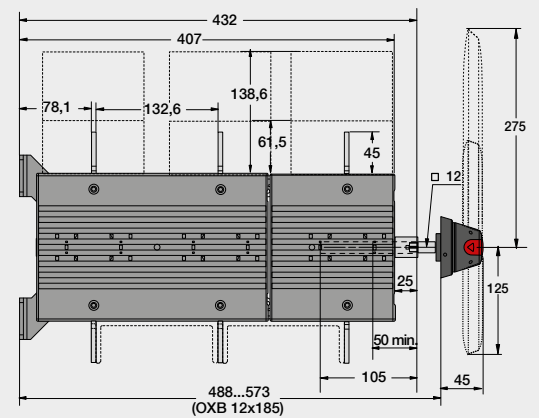
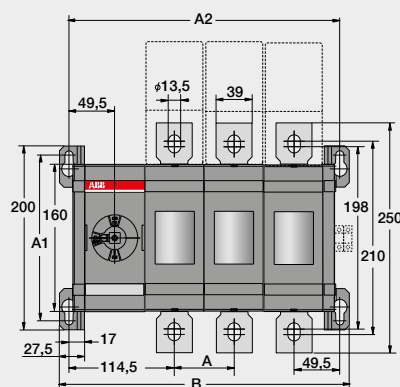


OT630...800E03/04Y

OT630...800E_Y

	E03	E04
A	65	65
A1	180	180
A2	294	359
B	315	380

M00397 / OT630-800E02-04Y B /ES



Manual and motorized bypass switches

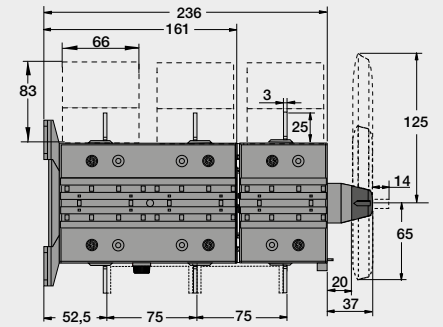
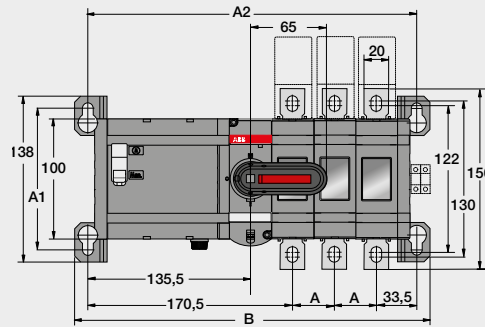
Dimensional drawings motorized bypass switches

OT160...250E03-04Y

OTM160...250_Y

[mm/in]	E2	E3	E4
A	35	35	35
A1	118	118	118
A2	239	274	309
B	251	296	331

M00339 / OTM160-250E2-4Y A

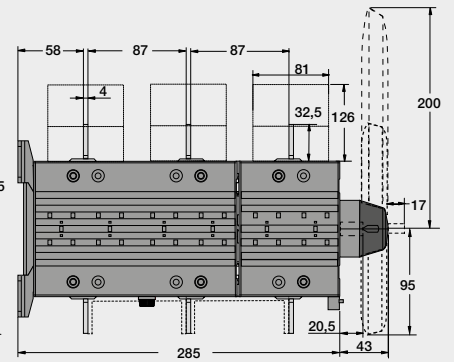
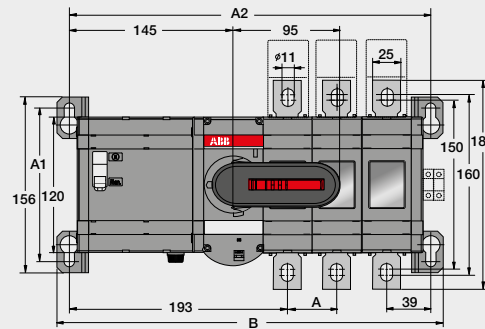


OTM315...400E_Y

OTM315-400E_Y

[mm/in]	E2	E3	E4
A	44	44	44
A1	136	136	136
A2	276	320	364
B	298	342	386

M00401 / OTM315-400E_Y A

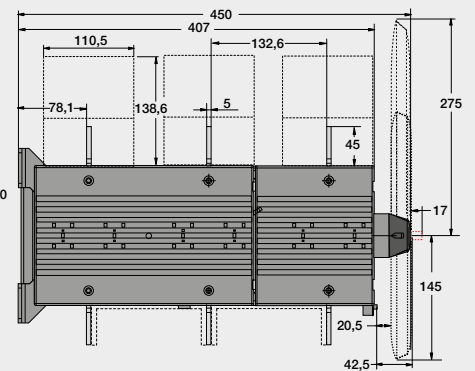
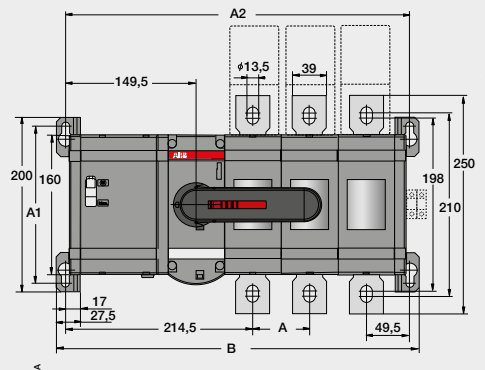


OTM630...800E_Y

OTM630-800E_Y

[mm/in]	E2	E3	E4
A	65	65	65
A1	180	180	180
A2	329	394	459
B	350	415	480

M00404 / OTM630-800E2_4Y A



Optional accessories for manual and motorized bypass switches

Ordering information for external handles



OHBZX200



OHBZX275

Handle extension for bypass switches, plastic

The handle extension is snap-on mounted on the standard handle for manual operation.

The handle extension shall be removed when padlocking the standard handle.

Units / type = 1 pcs.

Suitable for switches	Colour	Type	Order number	Delivery batch [pcs]	Weight/unit [kg]
OT160...400E_Y	Black	OHBZX200	1SCA125960R1001	1	0.12
OT630...800E_Y	Black	OHBZX275	1SCA125963R1001	1	0.12

Ordering information for terminal shrouds



OTS_L_



OTS_S_

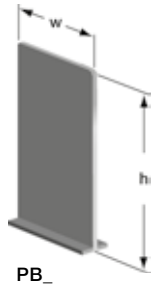
Terminal shrouds, grey plastic

Snap-on mounting to the switches, IP 20. A kit includes three or four shrouds which can be used on either side of the switch. Suitable for the upperswitch. Transparent shrouds for OT_160...2500 available on request, please replace the letter "G" with "T".

Suitable for switches	No. of poles	Description	Type	Order number	Units/type [pcs]	Weight/unit [kg]
OT_160...250_Y	3	Long type	OTS250G1L/3	1SCA022731R8150	3	0.09
OT_160...250_Y	3	Short type	OTS250G1S/3	1SCA022731R8310	3	0.06
OT_160...250_Y	4	Long type	OTS250G1L/4	1SCA022731R8230	4	0.12
OT_160...250_Y	4	Short type	OTS250G1S/4	1SCA022731R8400	4	0.08
OT_315...400_Y	3	Long type	OTS400G1L/3	1SCA022736R8840	3	0.15
OT_315...400_Y	3	Short type	OTS400G1S/3	1SCA022736R9060	3	0.09
OT_315...400_Y	4	Long type	OTS400G1L/4	1SCA022736R9490	4	0.20
OT_315...400_Y	4	Short type	OTS400G1S/4	1SCA022736R9650	4	0.12
OT_600...800_Y	3	Long type	OTS800G1L/3	1SCA022776R7890	3	0.32
OT_600...800_Y	3	Short type	OTS800G1S/3	1SCA022776R8190	3	0.17
OT_600...800_Y	4	Long type	OTS800G1L/4	1SCA022776R7970	4	0.42
OT_600...800_Y	4	Short type	OTS800G1S/4	1SCA022776R8270	4	0.26

Optional accessories for manual and motorized bypass switches

Ordering information for phase barriers



Phase barriers

The phase barriers designed for ABB Tmax T4-T5 MCCB's can also be used for OT_160...800 change-over switches. 3-pole change-overs need 8 barriers and 4-pole change-overs need 12 barriers for full protection.

Suitable for switches	No. of poles	Height h [mm]	Cutting width W of the phase barrier [mm]	Type	Order number	Units/type [pcs]
OT_160...250E_C	3	100	55	PB100 low	1SDA054970R1	4
OT_160...250E_C	3	200	55	PB200 high	1SDA054972R1	4
OT_160...250E_C	4	100	55	PB100 low	1SDA054971R1	6
OT_160...250E_C	4	200	55	PB200 high	1SDA054973R1	6
OT_315...400E_C	3	100	67	PB100 low	1SDA054970R1	4
OT_315...400E_C	3	200	67	PB200 high	1SDA054972R1	4
OT_315...400E_C	4	100	67	PB100 low	1SDA054971R1	6
OT_315...400E_C	4	200	67	PB200 high	1SDA054973R1	6
OT_600...800E_C	3	100	90	PB100 low	1SDA054970R1	4
OT_600...800E_C	3	200	90	PB200 high	1SDA054972R1	4
OT_600...800E_C	4	100	90	PB100 low	1SDA054971R1	6
OT_600...800E_C	4	200	90	PB200 high	1SDA054973R1	6

Optional accessories for manual and motorized bypass switches

Ordering information for terminal clamps



OZXB2L



OZXB7L



OZXB9

Terminal clamp sets for Al- and Cu-cables

Suitable for switches	Cable cross section [mm ²]	Suitable shroud	Type	Order number	Units/type [pcs]	Delivery batch [pcs]	Weight/unit [kg]
OT100...125F_	10...70		OZXL1	1SCA022439R6770	3	1	0.14
OTM40...125F_	10...70		OZXL1	1SCA022439R6770	3	1	0.14
OT_160...250E_C,_Y	10...70	OTS250_L	OZXB1L	1SCA022169R2030	3	1	0.15
OT_160...250E_C,_Y	10...70	OTS250_L	OZXB1L/1	1SCA022194R0030	1	50	0.05
OT_160...250E_C,_Y	25...120	OZXB2K	OZXB2	1SCA022119R7610	3	1	0.34
OT_160...250E_C,_Y	25...120	OZXB2K	OZXB2/1	1SCA022194R0200	1	50	0.12
OT_160...250E_C,_Y	25...120	OZXB2K	OZXB2L	1SCA022158R7750	3	1	0.43
OT_160...250E_C,_Y	25...120	OZXB2K	OZXB2L/1	1SCA022194R0460	1	50	0.15
OT_160...250E_C,_Y	95...185	OTS250_L	OZXB8	1SCA022744R1510	3	1	0.50
OT_160...250E_C,_Y	95...185	OTS250_L	OZXB8/1	1SCA022744R1600	1	20	0.15
OT_160...250E_C,_Y	95...240	OTS250_L	OZXB9	1SCA022750R3210	3	1	0.50
OT_160...250E_C,_Y	95...240	OTS250_L	OZXB9/1	1SCA022750R3300	1	20	0.15
OT_315...400E_C,_Y	25...120	OZXB2K	OZXB2L	1SCA022158R7750	3	1	0.43
OT_315...400E_C,_Y	25...120	OZXB2K	OZXB2L/1	1SCA022194R0460	1	50	0.15
OT_315...400E_C,_Y	70...185	OZXB3K	OZXB3	1SCA022136R8100	3	1	1.28
OT_315...400E_C,_Y	70...185	OZXB3K	OZXB3/1	1SCA022194R0620	1	20	0.43
OT_315...400E_C,_Y	2x(70...185)	OZXB3K	OZXB4	1SCA022137R4760	3	1	1.71
OT_315...400E_C,_Y	2x(70...185)	OZXB3K	OZXB4/1	1SCA022194R0890	1	20	0.57
OT_315...400E_C,_Y	120...240	OZXB5K	OZXB7	1SCA022185R0040	3	1	1.00
OT_315...400E_C,_Y	120...240	OZXB5K	OZXB7/1	1SCA022194R1430	1	20	0.34
OT_315...400E_C,_Y	120...240	OZXB5K	OZXB7L	1SCA022185R7130	3	1	1.17
OT_315...400E_C,_Y	120...240	OZXB5K	OZXB7L/1	1SCA022194R1600	1	20	0.40
OT_315...400E_C,_Y	95...185	OTS400_L	OZXB8	1SCA022744R1510	3	1	0.50
OT_315...400E_C,_Y	95...185	OTS400_L	OZXB8/1	1SCA022744R1600	1	20	0.15
OT_315...400E_C,_Y	95...240	OTS400_L	OZXB9	1SCA022750R3210	3	1	0.50
OT_315...400E_C,_Y	95...240	OTS400_L	OZXB9/1	1SCA022750R3300	1	20	0.15

Optional accessories for manual and motorized bypass switches

Ordering information for bridging- and reversing bars



OTZC13...34

Bridging bars

The bridging bars provide a connection link either on the incoming or outgoing side of the switch. Please note that two sets of bridging bars are required to make a complete connection.

Suitable for switches	No. of poles	Type	Order number	Units/ type [pcs]	Weight/ unit [kg]
OT_160...250_C,_Y	3	OTZC13	1SCA022767R6910	3	0.6
OT_160...250_C,_Y	4	OTZC14	1SCA022767R7040	4	0.8
OT_315...400_C,_Y	3	OTZC23	1SCA022767R7120	3	0.6
OT_315...400_C,_Y	4	OTZC24	1SCA022767R7210	4	0.8
OT_600_C...800E_C,_Y	3	OTZC33	1SCA022785R7020	3	1.0
OT_600_C...800E_C,_Y	4	OTZC34	1SCA022785R7110	4	1.3



OTZR_

Reversing bars

A reversing switch can be built by using phase sequence bars in two phases. The kit includes two phase sequence conversion bars. The missing bridging bars must be ordered separately, see above. For example 3-pole switches: one 4-pole standard bridging bar kit is required (one bar for the reversing side, three bars for the other side).

Suitable for switches	Type	Order number	Units/ type [pcs]	Weight/ unit [kg]
OT_160...250_C	OTZR1	1SCA100352R1001	2	0.3
OT_315...400_C	OTZR2	1SCA104647R1001	2	0.3
OT_600_C...800E_C	OTZR3	1SCA100355R1001	2	0.4

Optional accessories for manual and motorized bypass switches

Ordering information and technical data for auxiliary contacts



OA1G01
OA7G01



OA1G10
OA8G01



OA2G11

Auxiliary contact blocks for OT_160...800

Mounting on the right side of the switch: Max. 4 auxiliary contact blocks/switch (totally 8 blocks). Types _AU have gold plated contacts for harsh environments and low operating voltages. Simultaneous action with the main contacts, IP20. The type and ordering numbers are for one piece.

Suitable for switches	Contact functions	Installation side	Type	Order number	Delivery batch [pcs]	Weight/unit [kg]
OT_160...800	1NO	Right	OA1G10	1SCA022353R4970	10	0.03
OT_160...800	1NC	Right	OA3G01	1SCA022456R7410	10	0.03
OT_160...800	1NO	Right	OA1G10AU	1SCA022436R7910	10	0.03
OT_160...800	1NC	Right	OA3G01AU	1SCA022819R5260	10	0.03

Auxiliary contacts

Technical data for auxiliary contacts according to IEC 60947-5-1, for OA1G_, OA2G_, OA3G_, OA7G_, OA8G_

AC15		DC12		DC13		
U_e /[V]	I_e /[A]	U_e /[V]	I_e /[A]	P/[W]	I_e /[A]	P/[W]
230	6	24	10	240	2	50
400	4	72	4	290	0.8	60
415	4	125	2	250	0.55	70
690	2	250	0.55	140	0.27	70
		440	0.1	44		

Function tables

Function table of OT160...3200, OT160...800_Y and OTM160...2500 auxiliary contacts / Switch I (max. 2+2)

Handle position	Main contacts	OA1G10 NO	OA3G01 NC
I	closed	closed	open
0	open	open	closed
II	closed	open	closed

Function table of OT160...3200, OT160...800_Y and OTM160...2500 auxiliary contacts / Switch II (max. 2+2)

Handle position	Main contacts	OA1G10 NO	OA3G01 NC
I	closed	open	closed
0	open	open	closed
II	closed	closed	open



Transfer, change-over and bypass switches

Index

Description	Type	Order number	Page
Automatic control units	OMD200E480C-A1	1SCA123789R1001	72
	OMD300E480C-A1	1SCA123790R1001	72
	OMD800E480C-A1	1SCA123791R1001	72
	OMD200E480C-A1	1SCA123789R1001	99
	OMD300E480C-A1	1SCA123790R1001	99
	OMD800E480C-A1	1SCA123791R1001	99
Automatic transfer switches, open transition	OTM160E4C2D230C	1SCA106230R1001	88
	OTM160E4WC2D230C	1SCA101033R1001	88
	OTM200E4C2D230C	1SCA106671R1001	88
	OTM200E4WC2D230C	1SCA101034R1001	88
	OTM250E4WC2D230C	1SCA101035R1001	88
	OTM315E4C2D230C	1SCA101059R1001	88
	OTM400E4C2D230C	1SCA101060R1001	88
	OTM630E4C2D230C	1SCA108434R1001	88
	OTM800E4C2D230C	1SCA108439R1001	88
	OTM1000E4C2D230C	1SCA112858R1001	88
	OTM1250E4C2D230C	1SCA112857R1001	88
	OTM1600E4C2D230C	1SCA112854R1001	88
	OTM160E4C3D230C	1SCA106305R1001	88
	OTM160E4WC3D230C	1SCA106306R1001	88
	OTM200E4C3D230C	1SCA106309R1001	88
	OTM200E4WC3D230C	1SCA106310R1001	88
	OTM250E4C3D230C	1SCA106313R1001	88
	OTM250E4WC3D230C	1SCA106314R1001	88
	OTM315E4C3D230C	1SCA106317R1001	88
	OTM400E4C3D230C	1SCA106318R1001	88
	OTM630E4C3D230C	1SCA108726R1001	88
	OTM800E4C3D230C	1SCA108728R1001	88
	OTM1000E4C3D230C	1SCA112852R1001	88
	OTM1250E4C3D230C	1SCA112851R1001	88
	OTM1600E4C3D230C	1SCA112848R1001	88
	OTM160E3C8D230C	1SCA101017R1001	89
	OTM160E3WC8D230C	1SCA101036R1001	89
	OTM160E4C8D230C	1SCA101020R1001	89
	OTM160E4WC8D230C	1SCA101039R1001	89
	OTM200E3C8D230C	1SCA101018R1001	89
	OTM200E3WC8D230C	1SCA101037R1001	89
	OTM200E4C8D230C	1SCA101021R1001	89
	OTM200E4WC8D230C	1SCA101040R1001	89
	OTM250E3C8D230C	1SCA101019R1001	89
	OTM250E3WC8D230C	1SCA101038R1001	89
	OTM250E4C8D230C	1SCA101022R1001	89
	OTM250E4WC8D230C	1SCA101041R1001	89
	OTM315E3C8D230C	1SCA101062R1001	89
	OTM315E4C8D230C	1SCA101063R1001	89
	OTM400E3C8D230C	1SCA101061R1001	89
	OTM400E4C8D230C	1SCA101064R1001	89
	OTM630E3C8D230C	1SCA108452R1001	89
OTM630E4C8D230C	1SCA108453R1001	89	
OTM800E3C8D230C	1SCA108454R1001	89	

Description	Type	Order number	Page	
Automatic transfer switches, open transition	OTM800E4C8D230C	1SCA108455R1001	89	
	OTM1000E3C8D230C	1SCA112868R1001	89	
	OTM1000E4C8D230C	1SCA112861R1001	89	
	OTM1250E3C8D230C	1SCA112862R1001	89	
	OTM1250E4C8D230C	1SCA112864R1001	89	
	OTM1600E3C8D230C	1SCA112866R1001	89	
	OTM1600E4C8D230C	1SCA112867R1001	89	
	Auxiliary contact blocks	OA1G10	1SCA022353R4970	43
		OA8G01	1SCA022744R2240	43
		OA7G10	1SCA022673R1140	43
OA1G01		1SCA022353R4890	43	
OA2G11		1SCA022379R8100	43	
OA1G10		1SCA022353R4970	43	
OA3G01		1SCA022456R7410	43	
OA1G10AU		1SCA022436R7910	43	
OA3G01AU		1SCA022819R5260	43	
OA1G10		1SCA022353R4970	71	
OA8G01		1SCA022744R2240	71	
OA7G10		1SCA022673R1140	71	
OA1G01		1SCA022353R4890	71	
OA2G11		1SCA022379R8100	71	
OA1G10		1SCA022353R4970	71	
OA3G01		1SCA022456R7410	71	
OA1G10AU		1SCA022436R7910	71	
OA3G01AU		1SCA022819R5260	71	
OA1G10		1SCA022353R4970	98	
OA8G01		1SCA022744R2240	98	
OA7G10		1SCA022673R1140	98	
OA1G01		1SCA022353R4890	98	
OA2G111)	1SCA022379R8100	98		
OA1G10	1SCA022353R4970	98		
OA3G01	1SCA022456R7410	98		
OA1G10AU	1SCA022436R7910	98		
OA3G01AU	1SCA022819R5260	98		
OA1G10	1SCA022353R4970	120		
OA3G01	1SCA022456R7410	120		
OA1G10AU	1SCA022436R7910	120		
OA3G01AU	1SCA022819R5260	120		
Bridging bars	OTZC13	1SCA022767R6910	42	
	OTZC14	1SCA022767R7040	42	
	OTZC23	1SCA022767R7120	42	
	OTZC24	1SCA022767R7210	42	
	OTZC33	1SCA022785R7020	42	
	OTZC34	1SCA022785R7110	42	
	OTZC43	1SCA022868R0710	42	
	OTZC44	1SCA022868R0800	42	
	OTZC53	1SCA022868R0980	42	
	OTZC54	1SCA022868R1010	42	
	OTZC63	1SCA022868R1100	42	
	OTZC64	1SCA022868R1360	42	

Transfer, change-over and bypass switches

Index

Description	Type	Order number	Page	Description	Type	Order number	Page
Bridging bars	OTZC73	1SCA128843R1001	42	Fourth poles	OTPS80FP	1SCA105461R1001	42
	OTZC74	1SCA128844R1001	42		OTPS125FP	1SCA105099R1001	42
	OTZC13	1SCA022767R6910	69	Handle and spare fuse storage clip	OTVS0	1SCA117524R1001	66
	OTZC14	1SCA022767R7040	69		OTVS1	1SCA111413R1001	66
	OTZC23	1SCA022767R7120	69		OTVS2	1SCA111414R1001	66
	OTZC24	1SCA022767R7210	69	Handle extension for bypass switches	OHBSX200	1SCA125960R1001	116
	OTZC33	1SCA022785R7020	69		OHBSX275	1SCA125963R1001	116
	OTZC34	1SCA022785R7110	69	Handle knobs, non-padlockable	OHBS3/1	1SCA108319R1001	34
	OTZC43	1SCA022868R0710	69		OHBS3	1SCA108320R1001	34
	OTZC44	1SCA022868R0800	69		OHRS3/1	1SCA108688R1001	34
	OTZC53	1SCA022868R0980	69		OHRS3	1SCA108667R1001	34
	OTZC54	1SCA022868R1010	69		OHBS9/1	1SCA108689R1001	34
	OTZC63	1SCA022868R1100	69		OHBS9	1SCA108665R1001	34
	OTZC64	1SCA022868R1360	69		OHRS9/1	1SCA108690R1001	34
	OTZC73	1SCA128843R1001	69		OHRS9	1SCA108666R1001	34
	OTZC74	1SCA128844R1001	69		Handle knobs, padlockable	OHBS2/1	1SCA109090R1001
	OTZC13	1SCA022767R6910	97	OHBS2		1SCA109089R1001	34
	OTZC14	1SCA022767R7040	97	OHRS2/1		1SCA108599R1001	34
	OTZC23	1SCA022767R7120	97	OHRS2		1SCA108598R1001	34
	OTZC24	1SCA022767R7210	97	OHBS12/1		1SCA109094R1001	34
	OTZC33	1SCA022785R7020	97	OHBS12		1SCA108252R1001	34
	OTZC34	1SCA022785R7110	97	OHRS12/1		1SCA109097R1001	34
	OTZC43	1SCA022868R0710	97	OHRS12		1SCA108253R1001	34
	OTZC44	1SCA022868R0800	97	OHBS11/1		1SCA109093R1001	34
	OTZC53	1SCA022868R0980	97	OHBS11	1SCA109092R1001	34	
	OTZC54	1SCA022868R1010	97	Manual bypass switches, open transition	OT160E03YP	1SCA123551R1001	111
	OTZC63	1SCA022868R1100	97		OT160E04YP	1SCA123556R1001	111
	OTZC64	1SCA022868R1360	97		OT200E03YP	1SCA123552R1001	111
	OTZC73	1SCA128843R1001	97		OT200E04YP	1SCA123557R1001	111
	OTZC74	1SCA128844R1001	97		OT250E03YP	1SCA123553R1001	111
	OTZC13	1SCA022767R6910	113		OT250E04YP	1SCA123558R1001	111
	OTZC14	1SCA022767R7040	113		OT315E03YP	1SCA123581R1001	111
	OTZC23	1SCA022767R7120	113		OT315E04YP	1SCA123583R1001	111
	OTZC24	1SCA022767R7210	113		OT400E03YP	1SCA123582R1001	111
	OTZC33	1SCA022785R7020	113		OT400E04YP	1SCA124026R1001	111
	OTZC34	1SCA022785R7110	113		OT630E03YP	1SCA123590R1001	111
	OTZC13	1SCA022767R6910	119		OT630E04YP	1SCA123592R1001	111
	OTZC14	1SCA022767R7040	119	OT800E03YP	1SCA123591R1001	111	
	OTZC23	1SCA022767R7120	119	OT800E04YP	1SCA123593R1001	111	
	OTZC24	1SCA022767R7210	119	Manual change-over switches, closed transition	OT160E03CLP	1SCA108468R1001	26
OTZC33	1SCA022785R7020	119	OT160E03WCLP		1SCA108486R1001	26	
OTZC34	1SCA022785R7110	119	OT160E04CLP		1SCA108491R1001	26	
Cover plate	OMZC2	1SCA101001R1001	72		OT160E04WCLP	1SCA108494R1001	26
	OMZC2	1SCA101001R1001	99		OT200E03CLP	1SCA108522R1001	26
Dual power source	ODPSE230C	1SCA116892R1001	74		OT200E03WCLP	1SCA108525R1001	26
	ODPSE230C	1SCA116892R1001	100	OT200E04CLP	1SCA108530R1001	26	
Dual power source including ATS functionality	ODPS230	1SCA122946R1001	74	OT200E04WCLP	1SCA108532R1001	26	
	ODPS230	1SCA122946R1001	100	OT250E03CLP	1SCA108593R1001	26	
Fourth poles	OTPS40FPN1	1SCA105001R1001	42	OT250E03WCLP	1SCA107576R1001	26	
	OTPS40FPN2	1SCA105000R1001	42	OT250E04CLP	1SCA108605R1001	26	

Transfer, change-over and bypass switches

Index

Description	Type	Order number	Page
Manual change-over switches, closed transition	OT250E04WCLP	1SCA108607R1001	26
	OT315E03CLP	1SCA108630R1001	26
	OT315E04CLP	1SCA106404R1001	26
	OT400E03CLP	1SCA108641R1001	26
	OT400E04CLP	1SCA106405R1001	26
	OT630E03CLP	1SCA106917R1001	26
	OT630E04CLP	1SCA106947R1001	26
	OT800E03CLP	1SCA106928R1001	26
	OT800E04CLP	1SCA106952R1001	26
Manual change-over switches, fast transition	OT160E03CFP	1SCA106086R1001	25
	OT160E03WCFP	1SCA108484R1001	25
	OT160E04CFP	1SCA108489R1001	25
	OT160E04WCFP	1SCA108492R1001	25
	OT200E03CFP	1SCA108520R1001	25
	OT200E03WCFP	1SCA107578R1001	25
	OT200E04CFP	1SCA108528R1001	25
	OT200E04WCFP	1SCA108531R1001	25
	OT250E03CFP	1SCA108591R1001	25
	OT250E03WCFP	1SCA107577R1001	25
	OT250E04CFP	1SCA108600R1001	25
	OT250E04WCFP	1SCA108606R1001	25
	OT315E03CFP	1SCA108629R1001	25
	OT315E04CFP	1SCA114535R1001	25
	OT400E03CFP	1SCA106360R1001	25
	OT400E04CFP	1SCA108650R1001	25
	OT630E03CFP	1SCA106915R1001	25
	OT630E04CFP	1SCA108753R1001	25
	OT800E03CFP	1SCA106916R1001	25
	OT800E04CFP	1SCA106945R1001	25
Manual change-over switches, open transition	OT16F3C	1SCA104816R1001	19
	OT16F4C	1SCA104831R1001	19
	OT25F3C	1SCA104863R1001	19
	OT25F4C	1SCA104877R1001	19
	OT40F3C	1SCA104913R1001	19
	OT40F4C	1SCA104934R1001	19
	OT63F3C	1SCA105338R1001	19
	OT63F4C	1SCA105369R1001	19
	OT80F3C	1SCA105402R1001	19
	OT80F4C	1SCA105418R1001	19
	OT100F3C	1SCA105008R1001	19
	OT100F4C	1SCA105019R1001	19
	OT125F3C	1SCA105037R1001	19
	OT125F4C	1SCA105054R1001	19
	OT160E03CP	1SCA022772R6510	21
	OT160E03WCP	1SCA022772R8210	21
	OT160E04CP	1SCA022775R9440	21
	OT160E04WCP	1SCA022775R0220	21
	OT200E03CP	1SCA022771R7520	21
	OT200E03WCP	1SCA022772R8720	21
	OT200E04CP	1SCA022771R7280	21

Description	Type	Order number	Page	
Manual change-over switches, open transition	OT200E04WCP	1SCA022775R0650	21	
	OT250E03CP	1SCA022771R3450	21	
	OT250E03WCP	1SCA022772R8300	21	
	OT250E04CP	1SCA022775R4640	21	
	OT250E04WCP	1SCA022775R0810	21	
	OT250E13CP	1SCA022777R0330	21	
	OT250E33CP	1SCA118551R1001	21	
	OT250E33WCP	1SCA118608R1001	21	
	OT315E03CP	1SCA022772R6780	22	
	OT315E12CP	1SCA022776R9910	22	
	OT315E04CP	1SCA022775R7150	22	
	OT315E13CP	1SCA022777R0410	22	
	OT315E33CP	1SCA118635R1001	22	
	OT400E03CP	1SCA022771R8500	22	
	Manual change-over switches, open transition	OT400E12CP	1SCA022776R9590	22
		OT400E04CP	1SCA022771R8680	22
OT400E13CP		1SCA022777R0500	22	
OT400E33CP		1SCA118629R1001	22	
OT630E03CP		1SCA022785R6050	22	
OT630E12CP		1SCA022785R8690	22	
OT630E04CP		1SCA022785R6130	22	
OT630E13CP		1SCA022785R9070	22	
OT630E33CP		1SCA118652R1001	22	
OT800E03CP		1SCA022785R6300	22	
OT800E12CP		1SCA022785R8850	22	
OT800E04CP		1SCA022785R6210	22	
OT800E13CP		1SCA022785R9230	22	
OT800E33CP		1SCA118649R1001	22	
OT1000E03CP		1SCA022872R1680	24	
OT1000E04CP		1SCA022872R1500	24	
OT1000E22CP		1SCA103289R1001	24	
OT1250E03CP		1SCA022872R0790	24	
OT1250E04CP		1SCA022872R1250	24	
OT1250E22CP		1SCA103311R1001	24	
OT1600E03CP		1SCA022872R1840	24	
OT1600E04CP		1SCA022872R2310	24	
OT1600E22CP		1SCA103303R1001	24	
OT2000E03CP		1SCA103908R1001	24	
OT2000E04CP	1SCA103912R1001	24		
OT2000E22CP	1SCA103953R1001	24		
OT2500E03CP	1SCA105615R1001	24		
OT2500E04CP	1SCA103906R1001	24		
OT2500E22CP	1SCA103902R1001	24		
OT3200E03CP	1SCA129156R1001	24		
OT3200E04CP	1SCA129158R1001	24		
OT3200E22CP	1SCA131131R1001	24		
Motorized bypass switches, open transition	OTM160E3YM230C	1SCA141435R1001	113	
	OTM160E4YM230C	1SCA141436R1001	113	
	OTM200E3YM230C	1SCA141437R1001	113	
	OTM200E4YM230C	1SCA141438R1001	113	

Transfer, change-over and bypass switches

Index

Description	Type	Order number	Page	Description	Type	Order number	Page	
Motorized bypass switches, open transition	OTM250E3YM230C	1SCA141439R1001	113	Motorized change-over switches, open transition	OTM315E4CM230C	1SCA022847R2870	57	
	OTM250E4YM230C	1SCA140870R1001	113		OTM400E2CM230V	1SCA121226R1001	57	
	OTM315E3YM230C	1SCA141440R1001	113		OTM400E3CM230C	1SCA022847R1630	57	
	OTM315E4YM230C	1SCA141441R1001	113		OTM400E4CM230C	1SCA022847R3250	57	
	OTM400E3YM230C	1SCA136735R1001	113		OTM630E2CM230V	1SCA121268R1001	58	
	OTM400E4YM230C	1SCA136677R1001	113		OTM630E3CM230C	1SCA103567R1001	58	
	OTM630E3YM230C	1SCA136615R1001	113		OTM630E4CM230C	1SCA022873R1990	58	
	OTM630E4YM230C	1SCA136613R1001	113		OTM800E2CM230V	1SCA121270R1001	58	
	OTM800E3YM230C	1SCA136616R1001	113		OTM800E3CM230C	1SCA103570R1001	58	
	OTM800E4YM230C	1SCA136614R1001	113		OTM800E4CM230C	1SCA022872R8340	58	
	OTM40F3CMA230V	1SCA120096R1001	55		OTM1000E2CM230V	1SCA121279R1001	58	
	OTM40F4CMA230V	1SCA120102R1001	55		OTM1000E3CM230C	1SCA112677R1001	58	
	OTM63F3CMA230V	1SCA120095R1001	55		OTM1000E4CM230C	1SCA112703R1001	58	
	OTM63F4CMA230V	1SCA120101R1001	55		OTM1250E2CM230V	1SCA121293R1001	58	
	OTM80F3CMA230V	1SCA120093R1001	55		OTM1250E3CM230C	1SCA112676R1001	58	
	OTM80F4CMA230V	1SCA120100R1001	55		OTM1250E4CM230C	1SCA112702R1001	58	
	OTM100F3CMA230V	1SCA120071R1001	55		OTM1600E2CM230V	1SCA121280R1001	58	
	OTM100F4CMA230V	1SCA120098R1001	55		OTM1600E3CM230C	1SCA112678R1001	58	
	OTM125F3CMA230V	1SCA120070R1001	55		OTM1600E4CM230C	1SCA112704R1001	58	
	Motorized change-over switches, open transition	OTM125F4CMA230V	1SCA120097R1001		55	OTM2000E2CM230V	1SCA121289R1001	58
		OTM40F3CMA24D	1SCA124061R1001		55	OTM2000E3CM230C	1SCA112709R1001	58
		OTM40F4CMA24D	1SCA124063R1001		55	OTM2000E4CM230C	1SCA112712R1001	58
		OTM63F3CMA24D	1SCA124060R1001		55	OTM2500E2CM230V	1SCA121291R1001	58
		OTM63F4CMA24D	1SCA124064R1001		55	OTM2500E3CM230C	1SCA112710R1001	58
OTM80F3CMA24D		1SCA124059R1001	55	Motorized change-over switches, open transition	OTM2500E4CM230C	1SCA112713R1001	58	
OTM80F4CMA24D		1SCA124062R1001	55		OTM3200E3CM230C	1SCA129240R1001	58	
OTM100F3CMA24D		1SCA124058R1001	55		OTM3200E4CM230C	1SCA129242R1001	58	
OTM100F4CMA24D		1SCA124066R1001	55		OTM160E3CM110V	1SCA022845R8530	59	
OTM125F3CMA24D		1SCA124057R1001	55		OTM160E3WCM110V	1SCA022846R3450	59	
OTM125F4CMA24D		1SCA124065R1001	55		OTM160E4CM110V	1SCA022846R1080	59	
OTM160E2CM230V		1SCA121216R1001	57		OTM160E4WCM110V	1SCA022846R7360	59	
OTM160E2WCM230V		1SCA121218R1001	57		OTM200E3CM110V	1SCA022845R8880	59	
OTM160E3CM230C		1SCA022845R8610	57		OTM200E3WCM110V	1SCA022846R3880	59	
OTM160E3WCM230C		1SCA022846R4000	57		OTM200E4CM110V	1SCA022846R1410	59	
OTM160E4CM230C		1SCA022848R1510	57		OTM200E4WCM110V	1SCA022846R7790	59	
OTM160E4WCM230C		1SCA022846R7440	57		OTM250E3CM110V	1SCA022845R9180	59	
OTM200E2CM230V		1SCA121209R1001	57	OTM250E3WCM110V	1SCA022846R4690	59		
OTM200E2WCM230V		1SCA121294R1001	57	OTM250E4CM110V	1SCA022846R1830	59		
OTM200E3CM230C		1SCA022845R8960	57	OTM250E4WCM110V	1SCA022846R8170	59		
OTM200E3WCM230C		1SCA022846R3960	57	OTM315E3CM110V	1SCA022847R1120	59		
OTM200E4CM230C		1SCA022846R1590	57	OTM315E4CM110V	1SCA022847R2790	59		
OTM200E4WCM230C		1SCA022846R7870	57	OTM400E3CM110V	1SCA022847R1550	59		
OTM250E2CM230V		1SCA121211R1001	57	OTM400E4CM110V	1SCA022847R3170	59		
OTM250E2WCM230V		1SCA121220R1001	57	OTM630E3CM110V	1SCA022873R1050	59		
OTM250E3CM230C		1SCA022845R9260	57	OTM630E4CM110V	1SCA022873R1810	59		
OTM250E3WCM230C		1SCA022846R4770	57	OTM800E3CM110V	1SCA022872R5750	59		
OTM250E4CM230C		1SCA022846R1910	57	OTM800E4CM110V	1SCA022872R8260	59		
OTM250E4WCM230C		1SCA022846R8250	57	OTM1000E3CM110V	1SCA113653R1001	59		
OTM315E2CM230V		1SCA121221R1001	57	OTM1000E4CM110V	1SCA113656R1001	59		
OTM315E3CM230C		1SCA022847R1210	57	OTM1250E3CM110V	1SCA113652R1001	59		

Transfer, change-over and bypass switches

Index

Description	Type	Order number	Page
Motorized change-over switches, open transition	OTM1250E4CM110V	1SCA113655R1001	59
	OTM1600E3CM110V	1SCA113654R1001	59
	OTM1600E4CM110V	1SCA113657R1001	59
	OTM2000E3CM110V	1SCA113683R1001	59
	OTM2000E4CM110V	1SCA113685R1001	59
	OTM2500E3CM110V	1SCA113684R1001	59
	OTM2500E4CM110V	1SCA113686R1001	59
	OTM160E3CM48D	1SCA022845R8450	60
	OTM160E3WCM48D	1SCA022846R3370	60
	OTM160E4CM48D	1SCA022846R0940	60
	OTM160E4WCM48D	1SCA022846R7280	60
	OTM200E3CM48D	1SCA022845R8700	60
	OTM200E3WCM48D	1SCA022846R3700	60
	OTM200E4CM48D	1SCA022846R1320	60
	OTM200E4WCM48D	1SCA022846R7610	60
	OTM250E3CM48D	1SCA022845R9000	60
	OTM250E3WCM48D	1SCA022846R4510	60
	OTM250E4CM48D	1SCA022846R1750	60
	OTM250E4WCM48D	1SCA022846R8090	60
	OTM315E4CM48D	1SCA022847R2610	60
	OTM400E3CM48D	1SCA022847R1470	60
	OTM400E4CM48D	1SCA022847R3090	60
	OTM315E3CM48D	1SCA022847R1040	60
	OTM630E3CM48D	1SCA022873R1300	60
	OTM630E4CM48D	1SCA022873R2110	60
	OTM800E3CM48D	1SCA022872R6050	60
	OTM800E4CM48D	1SCA022872R8510	60
	OTM1000E3CM48D	1SCA113663R1001	60
	OTM1000E4CM48D	1SCA113666R1001	60
	OTM1250E3CM48D	1SCA113662R1001	60
	OTM1250E4CM48D	1SCA113665R1001	60
	OTM1600E3CM48D	1SCA113664R1001	60
	OTM1600E4CM48D	1SCA113667R1001	60
	OTM2000E3CM48D	1SCA113689R1001	60
	OTM2000E4CM48D	1SCA113691R1001	60
	OTM2500E3CM48D	1SCA113690R1001	60
	OTM2500E4CM48D	1SCA113692R1001	60
	OTM160E3CM24D	1SCA022845R8110	61
	OTM160E3WCM24D	1SCA022846R3290	61
	OTM160E4CM24D	1SCA022846R0860	61
	OTM160E4WCM24D	1SCA022846R7100	61
	OTM200E3CM24D	1SCA022845R8290	61
	OTM200E3WCM24D	1SCA022846R3610	61
	OTM200E4CM24D	1SCA022846R1240	61
	OTM200E4WCM24D	1SCA022846R7520	61
	OTM250E3CM24D	1SCA022845R8370	61
	OTM250E3WCM24D	1SCA022846R4420	61
	OTM250E4CM24D	1SCA022846R1670	61
	OTM250E4WCM24D	1SCA022846R7950	61
	OTM315E3CM24D	1SCA022847R0910	61

Description	Type	Order number	Page	
Motorized change-over switches, open transition	OTM315E4CM24D	1SCA022847R2520	61	
	OTM400E3CM24D	1SCA022847R1390	61	
	OTM400E4CM24D	1SCA022847R2950	61	
	OTM630E3CM24D	1SCA022873R1210	61	
	OTM630E4CM24D	1SCA022873R2020	61	
	OTM800E3CM24D	1SCA022872R5910	61	
	OTM800E4CM24D	1SCA022872R8420	61	
	OTM1000E3CM24D	1SCA113672R1001	61	
	OTM1000E4CM24D	1SCA113675R1001	61	
	OTM1250E3CM24D	1SCA113671R1001	61	
	OTM1250E4CM24D	1SCA113674R1001	61	
	OTM1600E3CM24D	1SCA113673R1001	61	
	OTM1600E4CM24D	1SCA113676R1001	61	
	OTM2000E3CM24D	1SCA113695R1001	61	
	OTM2000E4CM24D	1SCA113697R1001	61	
	OTM2500E3CM24D	1SCA113696R1001	61	
	OTM2500E4CM24D	1SCA113698R1001	61	
	Panel fasteners	OMZD1	1SCA022787R5190	72
		OMZD1	1SCA022787R5190	99
	Parallel connection kits	OMZC003	1SCA121324R1001	70
		OMZC004	1SCA121325R1001	70
OMZC03		1SCA117037R1001	70	
OMZC04		1SCA117038R1001	70	
Phase barriers	PB100 low	1SDA054970R1	40	
	PB200 high	1SDA054972R1	40	
	PB100 low	1SDA054971R1	40	
	PB200 high	1SDA054973R1	40	
	PB100 low	1SDA054970R1	40	
	PB200 high	1SDA054972R1	40	
	PB100 low	1SDA054971R1	40	
	PB200 high	1SDA054973R1	40	
	PB100 low	1SDA054970R1	40	
	PB200 high	1SDA054972R1	40	
	PB100 low	1SDA054971R1	40	
	PB200 high	1SDA054973R1	40	
	PB100 low	1SDA054970R1	40	
	PB200 high	1SDA054972R1	40	
	PB100 low	1SDA054971R1	40	
	PB200 high	1SDA054973R1	40	
	PB100 low	1SDA054970R1	68	
	PB200 high	1SDA054972R1	68	
	PB100 low	1SDA054971R1	68	
	PB200 high	1SDA054973R1	68	
	PB100 low	1SDA054970R1	68	
PB200 high	1SDA054972R1	68		
PB100 low	1SDA054971R1	68		
PB200 high	1SDA054973R1	68		
PB100 low	1SDA054970R1	95		
PB200 high	1SDA054972R1	95		
PB100 low	1SDA054971R1	95		

Transfer, change-over and bypass switches

Index

Description	Type	Order number	Page	Description	Type	Order number	Page	
Phase barriers	PB200 high	1SDA054973R1	95	Pistol handle, padlockable in the O-position	OHY200J12PE011	1SCA104686R1001	35	
	PB100 low	1SDA054970R1	95		Plastic handle for closed transition types	OTV250ECLK	1SCA113137R1001	36
	PB200 high	1SDA054972R1	95			OTV400ECLK	1SCA113143R1001	36
	PB100 low	1SDA054971R1	95	OTV800ECLK		1SCA113148R1001	36	
	PB200 high	1SDA054973R1	95	OTV1000ECLK		1SCA113152R1001	36	
	PB100 low	1SDA054970R1	95	Plastic handle, direct mounting	OTV250ECK	1SCA022783R0090	36	
	PB200 high	1SDA054972R1	95		OTV400ECK	1SCA022783R0170	36	
	PB100 low	1SDA054971R1	95		OTV800ECK	1SCA022797R2470	36	
	PB200 high	1SDA054973R1	95		OTV1000ECK	1SCA107481R1001	36	
	PB100 low	1SDA054970R1	113		OHB65D6CM	1SCA022807R9430	36	
	PB200 high	1SDA054972R1	113		OTV250ECMK	1SCA022804R0570	66	
	PB100 low	1SDA054971R1	113		OTV400ECMK	1SCA022843R2900	66	
	PB200 high	1SDA054973R1	113		OTV800ECMK	1SCA022804R3410	66	
	PB100 low	1SDA054970R1	113		OTV1000ECMK	1SCA111301R1001	66	
	PB200 high	1SDA054972R1	113		Plastic handle, handle not padlockable	OTV250ECFK	1SCA113141R1001	36
	PB100 low	1SDA054970R1	117	OTV400ECFK		1SCA113147R1001	36	
	PB200 high	1SDA054972R1	117	OTV800ECFK		1SCA113151R1001	36	
	PB100 low	1SDA054971R1	117	Reversing bars	OTZR1	1SCA100352R1001	42	
	PB200 high	1SDA054973R1	117		OTZR2	1SCA104647R1001	42	
	PB100 low	1SDA054970R1	117		OTZR3	1SCA100355R1001	42	
	PB200 high	1SDA054972R1	117		OTZR1	1SCA100352R1001	69	
	PB100 low	1SDA054971R1	117		OTZR2	1SCA104647R1001	69	
	PB200 high	1SDA054973R1	117		OTZR3	1SCA100355R1001	69	
	PB100 low	1SDA054970R1	117		OTZR1	1SCA100352R1001	97	
	PB200 high	1SDA054972R1	117		OTZR2	1SCA104647R1001	97	
	PB100 low	1SDA054971R1	117		OTZR3	1SCA100355R1001	97	
	Pistol handle for closed transition types	PB200 high	1SDA054973R1	117	OTZR1	1SCA100352R1001	119	
PB100 low		1SDA054970R1	117	OTZR2	1SCA104647R1001	119		
PB200 high		1SDA054972R1	117	OTZR3	1SCA100355R1001	119		
PB100 low		1SDA054971R1	117	Selector handle	OHBS2AJE011	1SCA105220R1001	35	
PB200 high	1SDA054973R1	117	OHYS2AJE011		1SCA105301R1001	35		
Pistol handle, handle not padlockable and no door interlocking	OHB65J6E65	1SCA112050R1001	36	Shafts for pistol handles	EXP6X150	1SCA022295R5600	38	
	OHB95J12E65	1SCA112056R1001	36		EXP6X170	1SCA108224R1001	38	
	OHB145J12E65	1SCA112063R1001	36		EXP6X265	1SCA108225R1001	38	
OHB200J12PE65	1SCA112078R1001	36	EXP6X400		1SCA108226R1001	38		
Pistol handle, padlockable in all positions	OHB65J6E69	1SCA112052R1001	35		EXP6X90	1SCA022064R1180	38	
	OHB95J12E69	1SCA112058R1001	35		EXP6X130	1SCA022057R0570	38	
	OHB145J12E69	1SCA112066R1001	35		EXP6X161	1SCA022067R1760	38	
	OHB45J6E311	1SCA022817R2130	35		EXP6X210	1SCA022295R6080	38	
	OHY45J6E311	1SCA022817R2300	35		EXP6X290	1SCA022042R6370	38	
	OHB65J6E311	1SCA022662R4730	35		EXP6X360	1SCA022042R6530	38	
Pistol handle, padlockable in the O-position	OHB95J12E311	1SCA022779R2140	35		EXP6/12x161C	1SCA111724R1001	38	
	OHB125J12E311	1SCA022615R1730	35		EXP12X107	1SCA022029R9750	38	
	OHB200J12PE311	1SCA104685R1001	35	EXP12X148	1SCA022658R5570	38		
	OHB45J6E011	1SCA022594R7110	35	EXP12X166	1SCA022325R7100	38		
	OHY45J6E011	1SCA022817R2210	35	EXP12X185	1SCA022325R6710	38		
	OHB65J6E011	1SCA022383R2480	35	EXP12X250	1SCA022325R6980	38		
	OHY65J6E011	1SCA022779R1840	35	EXP12X280	1SCA022137R5140	38		
	OHB95J12E011	1SCA022621R0760	35	EXP12X325	1SCA022042R5810	38		
	OHY95J12E011	1SCA022621R0920	35					
	OHB125J12E011	1SCA022589R3340	35					
	OHY125J12E011	1SCA022615R1650	35					
	OHB274J12E011	1SCA122306R1001	35					
	OHB200J12PE011	1SCA022873R4230	35					

Transfer, change-over and bypass switches

Index

Description	Type	Order number	Page	
Shafts for pistol handles	EXP12X395	1SCA022042R5990	38	
	EXP12X465	1SCA022042R6020	38	
	EXP12X148	1SCA022658R5570	38	
	EXP12X185	1SCA022325R6710	38	
	EXP12X250	1SCA022325R6980	38	
	EXP12X325	1SCA022042R5810	38	
	EXP12X395	1SCA022042R5990	38	
	EXP12X465	1SCA022042R6020	38	
	EXP12X166	1SCA022325R7100	38	
	EXP12X185	1SCA022325R6710	38	
	EXP12X250	1SCA022325R6980	38	
	EXP12X325	1SCA022042R5810	38	
	EXP12X395	1SCA022042R5990	38	
	EXP12X465	1SCA022042R6020	38	
	Shafts for selector handle handles	XS6X85	1SCA101647R1001	38
		XS6X105	1SCA108043R1001	38
XS6X120		1SCA101654R1001	38	
XS6X130		1SCA101655R1001	38	
Terminal clamp sets	OZXT1	1SCA022469R6310	68	
	OZXT2	1SCA022620R7200	68	
	OZXT3	1SCA022639R0720	68	
	OZXT6	1SCA122537R1001	68	
	OZXB1L	1SCA022169R2030	96	
	OZXB1L/1	1SCA022194R0030	96	
	OZXB2	1SCA022119R7610	96	
	OZXB2/1	1SCA022194R0200	96	
	OZXB2L	1SCA022158R7750	96	
	OZXB2L/1	1SCA022194R0460	96	
	OZXB8	1SCA022744R1510	96	
	OZXB8/1	1SCA022744R1600	96	
	OZXB9	1SCA022750R3210	96	
	OZXB9/1	1SCA022750R3300	96	
	OZXB2L	1SCA022158R7750	96	
	OZXB2L/1	1SCA022194R0460	96	
	OZXB3	1SCA022136R8100	96	
	OZXB3/1	1SCA022194R0620	96	
	OZXB4	1SCA022137R4760	96	
	OZXB4/1	1SCA022194R0890	96	
	OZXB7	1SCA022185R0040	96	
	OZXB7/1	1SCA022194R1430	96	
	OZXB7L	1SCA022185R7130	96	
	OZXB7L/1	1SCA022194R1600	96	
	OZXB8	1SCA022744R1510	96	
	OZXB8/1	1SCA022744R1600	96	
	OZXB9	1SCA022750R3210	96	
	OZXB9/1	1SCA022750R3300	96	
	Terminal clamp sets for Al- and Cu-cables	OZXL1	1SCA022439R6770	41
		OZXB1L	1SCA022169R2030	41
		OZXB1L/1	1SCA022194R0030	41
		OZXB2	1SCA022119R7610	41

Description	Type	Order number	Page
Terminal clamp sets for Al- and Cu-cables	OZXB2/1	1SCA022194R0200	41
	OZXB2L	1SCA022158R7750	41
	OZXB2L/1	1SCA022194R0460	41
	OZXB8	1SCA022744R1510	41
	OZXB8/1	1SCA022744R1600	41
	OZXB9	1SCA022750R3210	41
	OZXB9/1	1SCA022750R3300	41
	OZXB2L	1SCA022158R7750	41
	OZXB2L/1	1SCA022194R0460	41
	OZXB3	1SCA022136R8100	41
	OZXB3/1	1SCA022194R0620	41
	OZXB4	1SCA022137R4760	41
	OZXB4/1	1SCA022194R0890	41
	OZXB7	1SCA022185R0040	41
	OZXB7/1	1SCA022194R1430	41
	OZXB7L	1SCA022185R7130	41
	OZXB7L/1	1SCA022194R1600	41
	OZXB8	1SCA022744R1510	41
	OZXB8/1	1SCA022744R1600	41
	OZXB9	1SCA022750R3210	41
	OZXB9/1	1SCA022750R3300	41
	OZXL1	1SCA022439R6770	118
	OZXL1	1SCA022439R6770	118
	OZXB1L	1SCA022169R2030	118
	OZXB1L/1	1SCA022194R0030	118
	OZXB2	1SCA022119R7610	118
	OZXB2/1	1SCA022194R0200	118
	OZXB2L	1SCA022158R7750	118
	OZXB2L/1	1SCA022194R0460	118
	OZXB8	1SCA022744R1510	118
	OZXB8/1	1SCA022744R1600	118
	OZXB9	1SCA022750R3210	118
OZXB9/1	1SCA022750R3300	118	
OZXB2L	1SCA022158R7750	118	
OZXB2L/1	1SCA022194R0460	118	
OZXB3	1SCA022136R8100	118	
OZXB3/1	1SCA022194R0620	118	
OZXB4	1SCA022137R4760	118	
OZXB4/1	1SCA022194R0890	118	
OZXB7	1SCA022185R0040	118	
OZXB7/1	1SCA022194R1430	118	
OZXB7L	1SCA022185R7130	118	
OZXB7L/1	1SCA022194R1600	118	
OZXB8	1SCA022744R1510	118	
OZXB8/1	1SCA022744R1600	118	
OZXB9	1SCA022750R3210	118	
OZXB9/1	1SCA022750R3300	118	
Terminal clamp sets for Al- and Cu-cables insulated versions	OZXT1	1SCA022469R6310	41
	OZXT2	1SCA022620R7200	41
	OZXT3	1SCA022639R0720	41

Transfer, change-over and bypass switches

Index

Description	Type	Order number	Page	Description	Type	Order number	Page	
Terminal clamp sets for Al- and Cu-cables insulated versions	OZXT1	1SCA022469R6310	41	Terminal shrouds, grey plastic	OTS2500G1L/3	1SCA107261R1001	67	
Terminal shrouds, for fourth pole switches	OTS40T1	1SCA105314R1001	39		OTS2500G1S/3	1SCA107260R1001	67	
	OTS40T1	1SCA105314R1001	39		OTS2500G1L/4	1SCA107262R1001	67	
	OTS63T1	1SCA022353R6910	39		OTS2500G1S/4	1SCA107271R1001	67	
	OTS125T1	1SCA022379R9760	39		OTS4000G1L/3	1SCA129042R1001	67	
Terminal shrouds, for three pole switches	OTS40T3	1SCA105317R1001	39		OTS4000G1S/3	1SCA129044R1001	67	
	OTS63T3	1SCA022353R6750	39		OTS4000G1L/4	1SCA129043R1001	67	
	OTS125T3	1SCA022379R9680	39		OTS4000G1S/4	1SCA129045R1001	67	
Terminal shrouds, grey plastic	OTS250G1L/3	1SCA022731R8150	39		OTS250G1L/3	1SCA022731R8150	94	
	OTS250G1S/3	1SCA022731R8310	39		OTS250G1S/3	1SCA022731R8310	94	
	OTS250G1L/4	1SCA022731R8230	39		OTS250G1L/4	1SCA022731R8230	94	
	OTS250G1S/4	1SCA022731R8400	39		OTS250G1S/4	1SCA022731R8400	94	
	OTS400G1L/3	1SCA022736R8840	39		OTS400G1L/3	1SCA022736R8840	94	
	OTS400G1S/3	1SCA022736R9060	39		OTS400G1S/3	1SCA022736R9060	94	
	OTS400G1L/4	1SCA022736R9490	39		OTS400G1L/4	1SCA022736R9490	94	
	OTS400G1S/4	1SCA022736R9650	39		OTS400G1S/4	1SCA022736R9650	94	
	OTS800G1L/3	1SCA022776R7890	39		OTS800G1L/3	1SCA022776R7890	94	
	OTS800G1S/3	1SCA022776R8190	39		OTS800G1S/3	1SCA022776R8190	94	
	OTS800G1L/4	1SCA022776R7970	39		OTS800G1L/4	1SCA022776R7970	94	
	OTS800G1S/4	1SCA022776R8270	39		OTS800G1S/4	1SCA022776R8270	94	
	OTS1600G1L/3	1SCA022871R9510	39		OTS1600G1L/3	1SCA022871R9510	94	
	OTS1600G1S/3	1SCA022871R9600	39		OTS1600G1S/3	1SCA022871R9600	94	
	OTS1600G1L/4	1SCA022871R9780	39		OTS1600G1L/4	1SCA022871R9780	94	
	OTS1600G1S/4	1SCA022871R9860	39		OTS1600G1S/4	1SCA022871R9860	94	
	OTS2500G1L/3	1SCA107261R1001	39		OTS250G1L/3	1SCA022731R8150	116	
	OTS2500G1S/3	1SCA107260R1001	39		OTS250G1S/3	1SCA022731R8310	116	
	OTS2500G1L/4	1SCA107262R1001	39		OTS250G1L/4	1SCA022731R8230	116	
	OTS2500G1S/4	1SCA107271R1001	39		OTS250G1S/4	1SCA022731R8400	116	
	OTS4000G1L/3	1SCA129042R1001	39		OTS400G1L/3	1SCA022736R8840	116	
	OTS4000G1S/3	1SCA129044R1001	39		OTS400G1S/3	1SCA022736R9060	116	
	OTS4000G1L/4	1SCA129043R1001	39		OTS400G1L/4	1SCA022736R9490	116	
	OTS4000G1S/4	1SCA129045R1001	39		OTS400G1S/4	1SCA022736R9650	116	
	OTS125T3	1SCA022379R9680	67		OTS800G1L/3	1SCA022776R7890	116	
	OTS250G1L/3	1SCA022731R8150	67		OTS800G1S/3	1SCA022776R8190	116	
	OTS250G1S/3	1SCA022731R8310	67		OTS800G1L/4	1SCA022776R7970	116	
	OTS250G1L/4	1SCA022731R8230	67		OTS800G1S/4	1SCA022776R8270	116	
	OTS250G1S/4	1SCA022731R8400	67		UL/CSA manual change-over switches	OT200U03CP	1SCA022771R5910	27
	OTS400G1L/3	1SCA022736R8840	67			OT200U04CP	1SCA022771R6210	27
	OTS400G1S/3	1SCA022736R9060	67			OT400U03CP	1SCA022771R2810	27
	OTS400G1L/4	1SCA022736R9490	67			OT400U04CP	1SCA022771R2300	27
	OTS400G1S/4	1SCA022736R9650	67			OT600U03CP	1SCA022785R5320	27
	OTS800G1L/3	1SCA022776R7890	67			OT600U04CP	1SCA022785R5410	27
	OTS800G1S/3	1SCA022776R8190	67			OT800U03CP	1SCA104031R1001	27
	OTS800G1L/4	1SCA022776R7970	67			OT800U04CP	1SCA104036R1001	27
	OTS800G1S/4	1SCA022776R8270	67		Voltage sensing connectors	OMZB18	1SCA120153R1001	70
	OTS1600G1L/3	1SCA022871R9510	67			OMZB28	1SCA120154R1001	70
	OTS1600G1S/3	1SCA022871R9600	67			OMZB38	1SCA120155R1001	70
	OTS1600G1L/4	1SCA022871R9780	67			OMZB48	1SCA120156R1001	70
	OTS1600G1S/4	1SCA022871R9860	67					

For your notes

A series of horizontal dotted lines for taking notes.

Contact us

ABB Oy

Protection and Connection

P.O. Box 622

FI-65101 Vaasa, Finland

Phone: +358 10 22 11

Fax: +358 10 22 45708

www.abb.com

Find the address of your local sales organization on the ABB homepage:

www.abb.com/contacts

> Low Voltage Products and Systems

Note: We reserve the right to make technical changes or modify the contents of this document without prior notice. With regard to purchase orders, the agreed particulars shall prevail. ABB AG does not accept any responsibility whatsoever for potential errors or possible lack of information in this document.

We reserve all rights in this document and in the subject matter and illustrations contained therein. Any reproduction, disclosure to third parties or utilization of its contents – in whole or in parts – is forbidden without prior written consent of ABB AG.

Copyright © 2016 ABB

All rights reserved