

Safe monitoring solution - multiple doors

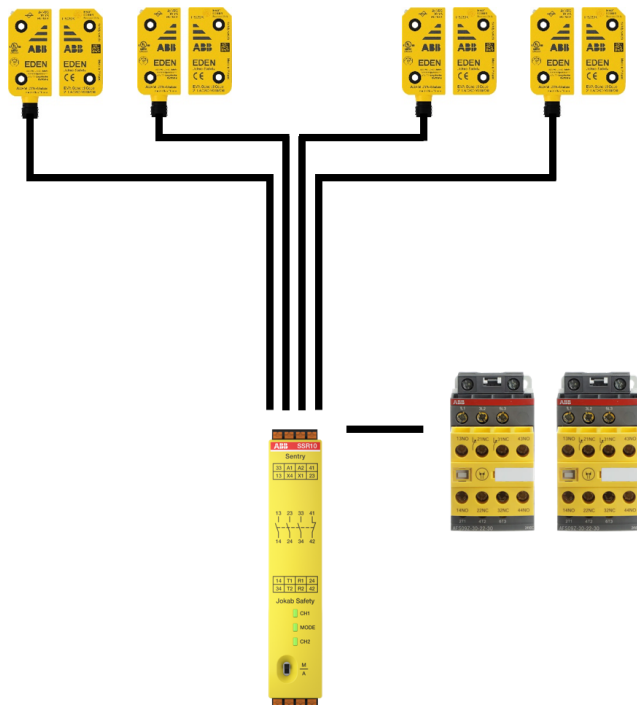
Sentry, Eden OSSD and contactors

- Easy to reach the highest safety level
- Simple solution
- Easy to install

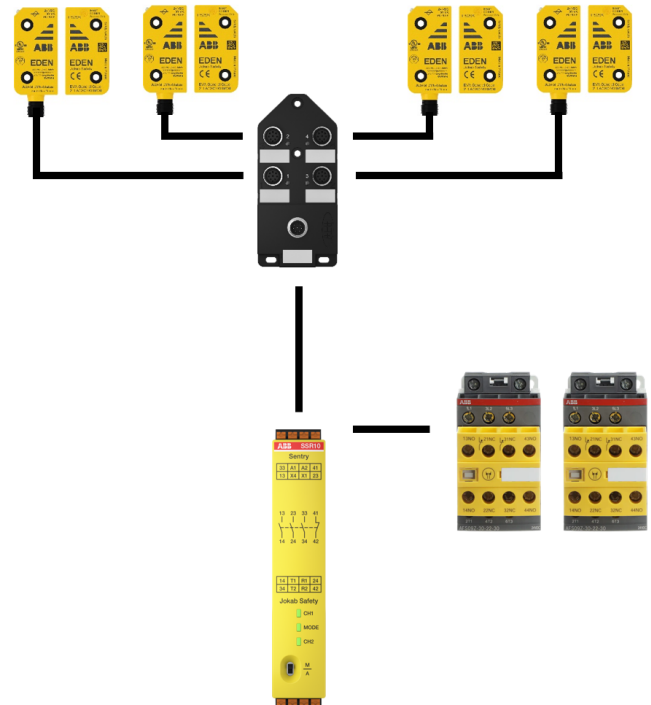


Application

Safe monitoring of movable guards such as doors and hatches is a common application in most industrial environments. Here is a solution using non-contact safety sensors connected in series (daisy chain) and a safety relay that cuts power to the machine using redundant safety contactors. The safety relay can be configured for manual or automatic reset depending on the application. An optional connection block can be used to simplify the wiring.



Option A: direct wiring



Option B: using connection block

Functional safety level

Even if the sensors are connected in series (daisy chain) the solution still fulfills the maximum safety level - up to Category 4, PL e according to EN ISO 13849-1:2015 and up to SIL3 according to EN 62061:2005. Up to 30 Eden OSSD sensors can be connected in series without reducing the achieved performance level. Eden OSSD meets the coding requirements according to EN ISO 14119:2013 regarding manipulation protection.



Sentry SSR10P

—
Sentry safety relay
 Choose between standard screw terminals or push-in terminals

Description	Type	Order code
Single function safety relay with screw terminals	Sentry SSR10	2TLA010050R0000
Single function safety relay with push-in terminals	Sentry SSR10P	2TLA010050R0001



Adam OSSD-Info M12-8

—
Adam non-contact safety sensor

Description	Type	Order code
Non-contact safety sensor with 8-pins for serial connection	Adam OSSD-Info M12-8	2TLA020051R5700

See [Safe monitoring solution - single door](#) for single connection.



Eva general code

—
Eva non-contact safety actuator
 Choose low or high level coding, depending on risk assessment

Description	Type	Order code
Low level coded actuator	Eva general code	2TLA020046R0800
High level coded actuator	Eva unique code	2TLA020046R0900



M12-C63

—
Cables
 Choose suitable cable length

Description	Type	Order code
M12-8 cable length 3 meter	M12-C33	2TLA020056R2900
M12-8 cable length 6 meter	M12-C63	2TLA020056R3000
M12-8 cable length 10 meter	M12-C103	2TLA020056R4000
M12-8 cable length 20 meter	M12-C203	2TLA020056R4100

Note that alternative cable lengths exist



OCB-1A

—
Connection accessories
 Optional connection block for simplifying installation

Description	Type	Order code
Connection block for serial connection of up to 4 sensors	OCB-1A	2TLA020055R3000
Blindplug for unused plugs	JSOP-8	2TLA020055R2400



AFS09

—
Safety contactors
 The AFS contactors are dedicated for safety applications. See [product sheet](#) for range and selection.

Links

Product sheets

[Sentry flyer](#)
[Eden flyer](#)
[OCB flyer](#)
[AF contactors for safety applications](#)

Web pages

[Sentry SSR10](#)
[Adam OSSD-Info M12-8](#)
[Eva General code](#)
[Eva Unique code](#)
[OCB-1A](#)
[JSOP-8](#)
[Contactors for safety applications - Motor protection and control](#)

Connection diagrams

[Sentry connection diagrams with most safety devices](#)

Manuals

[Sentry SSR10](#)
[Eden OSSD](#)
[OCB-1A](#)