

ReliaGear™ neXT Panelboard

Low Voltage Power Panel - Bulk Pack/Unassembled Version

WARNING

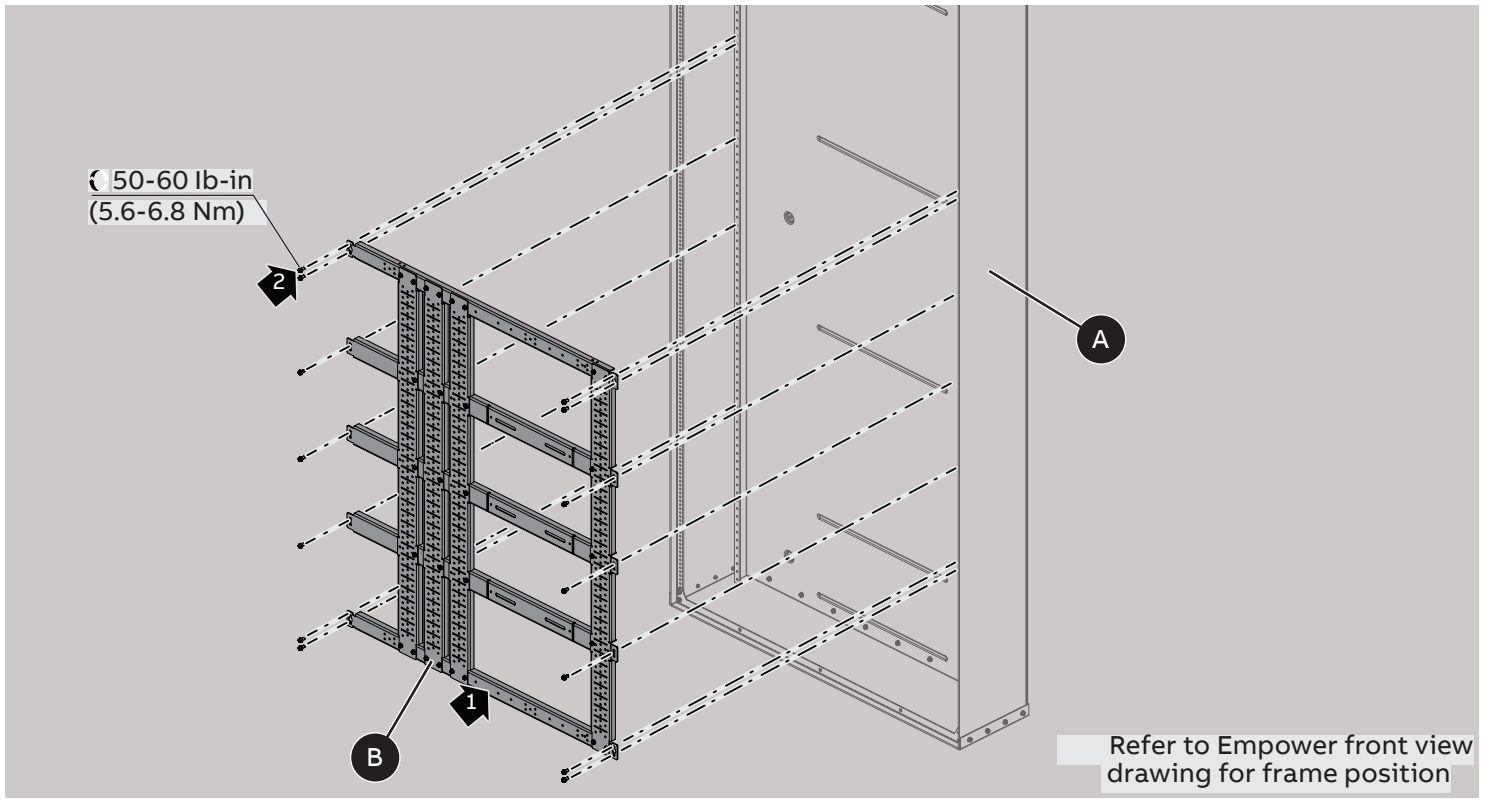
Danger of electrical shock or injury. Turn OFF power ahead of the panel board or switchboard before working inside the equipment or removing any component. Equipment is to be installed and maintained by properly trained and qualified personnel only.



A		1X		H		1X			
B		1X		I		1X			
C		1X		J		1X			
D		1X		K		1X			
E		1X		L		1X			
F		1X		M		1X			
G		1X		N		1X			

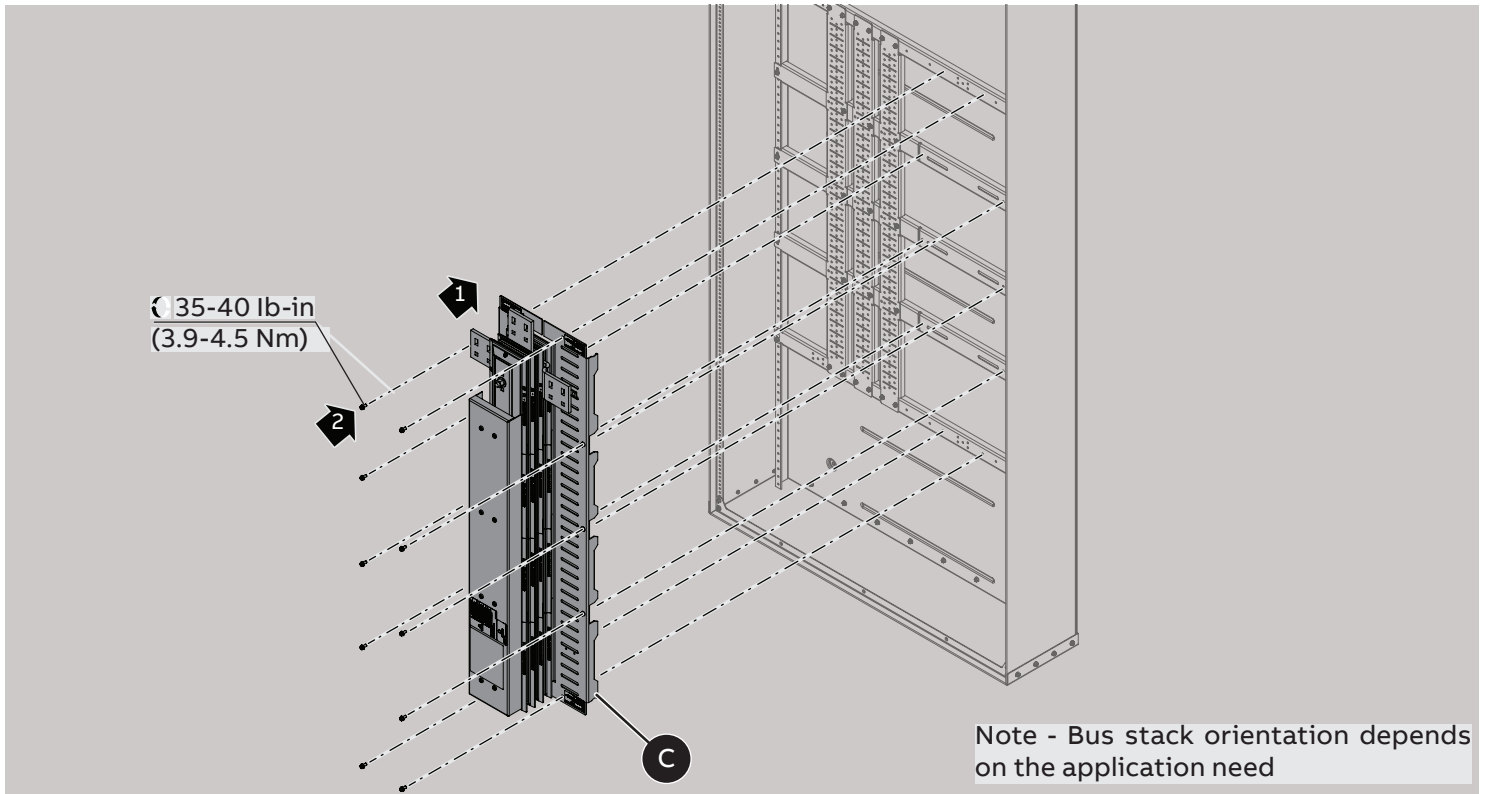
1

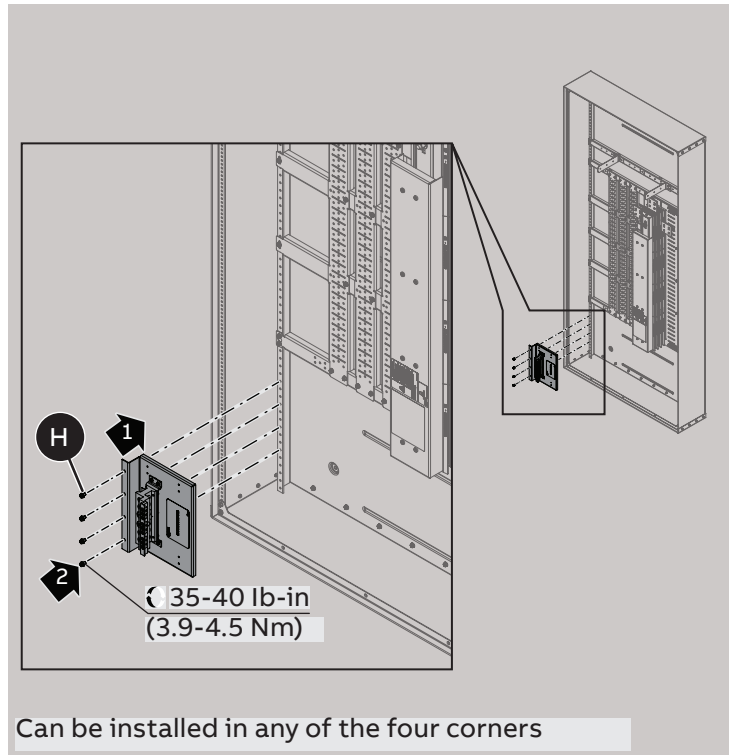
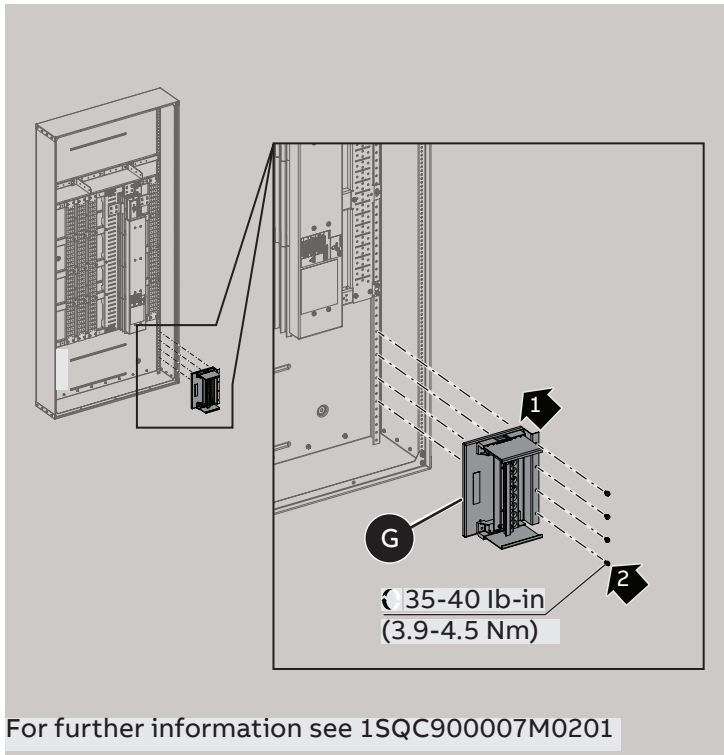
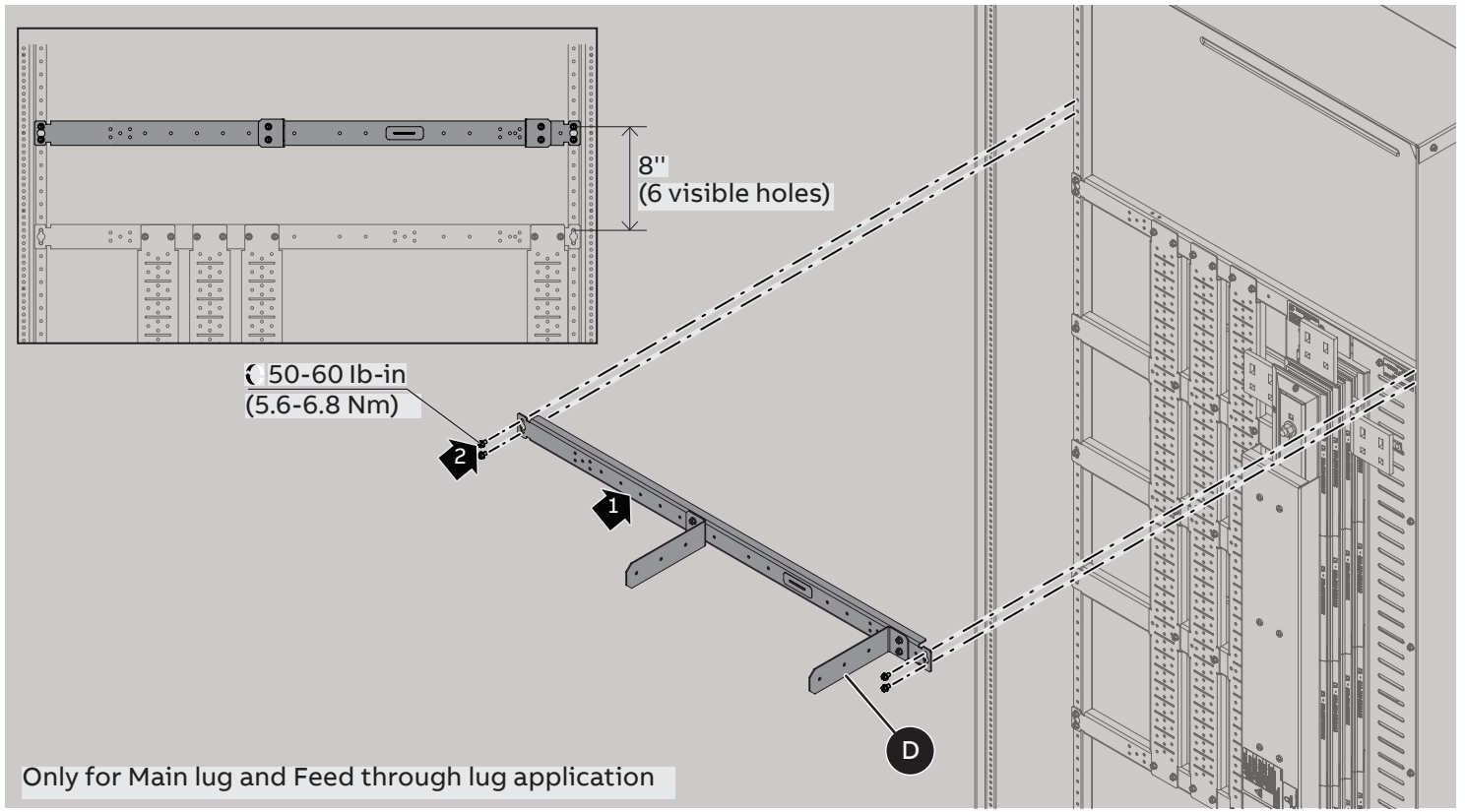
Frame

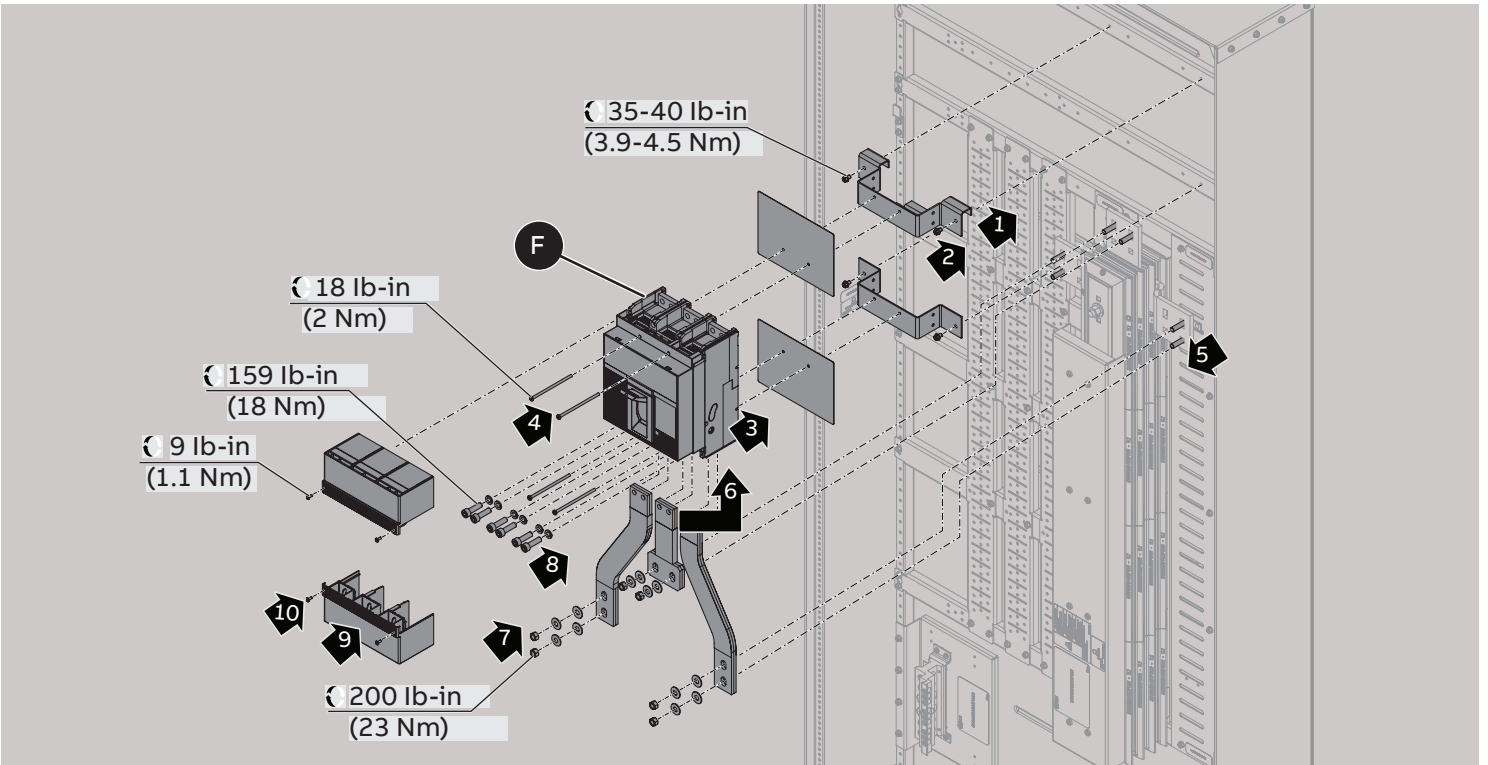
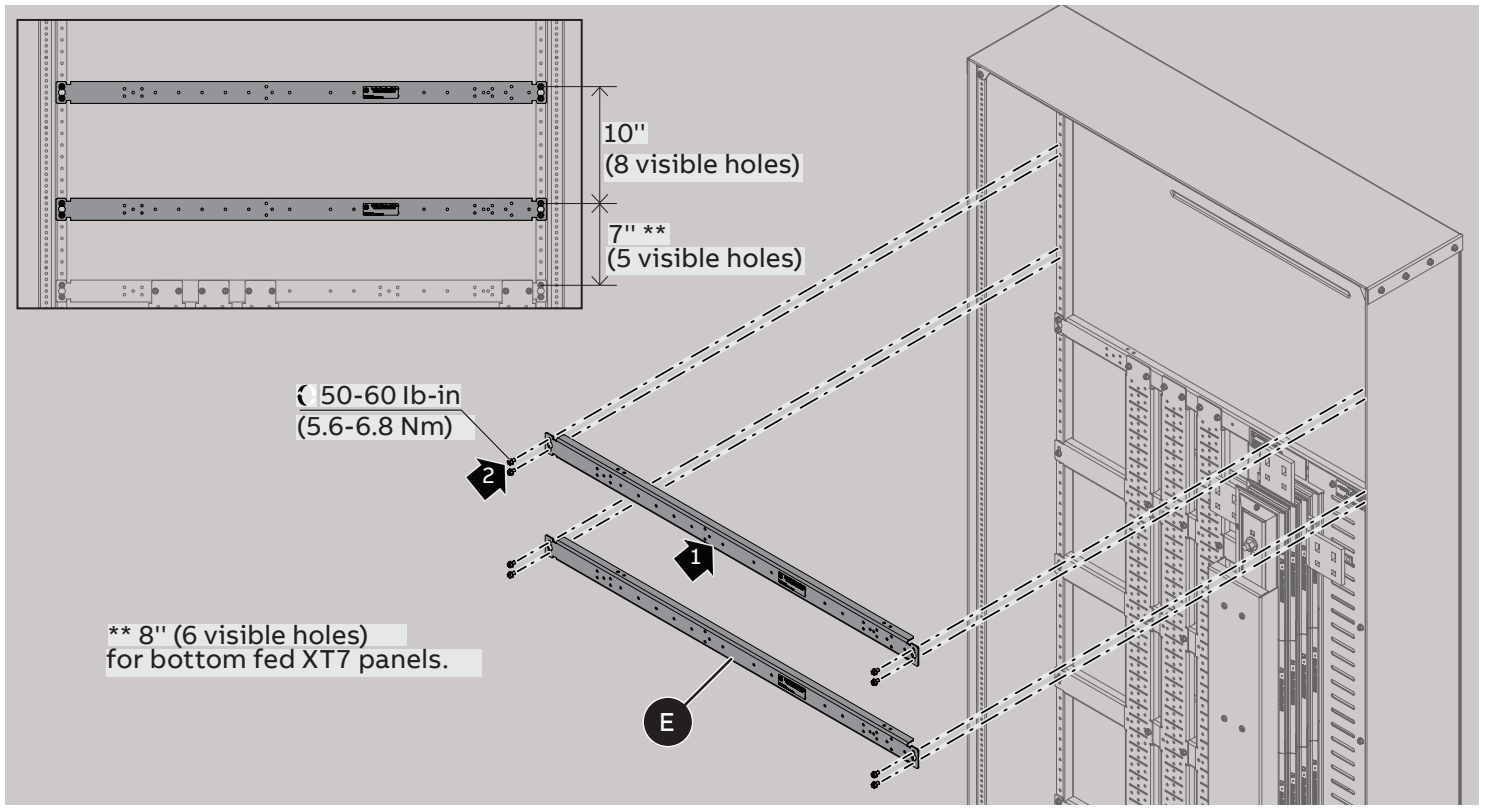


2

Bus stack

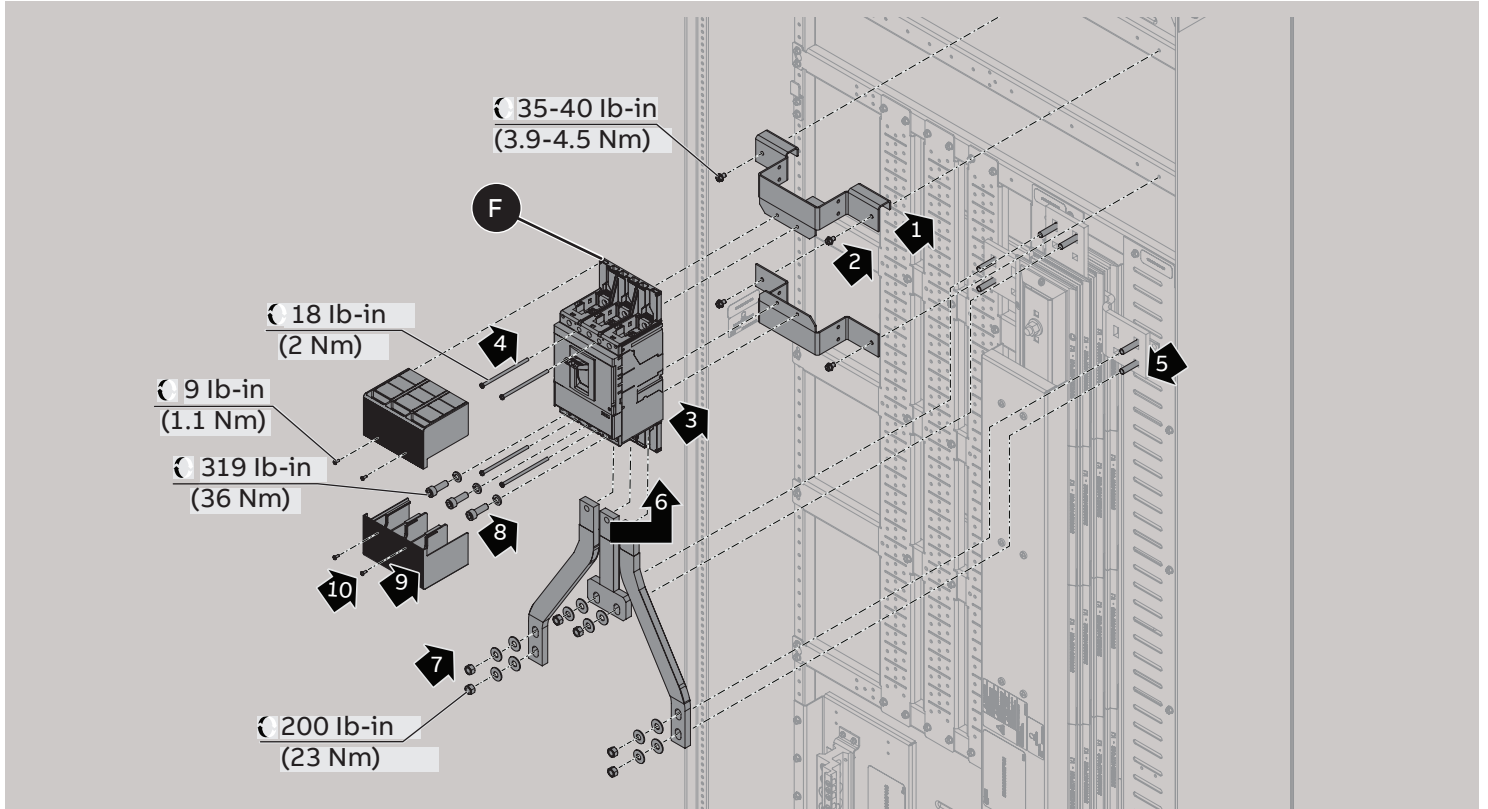






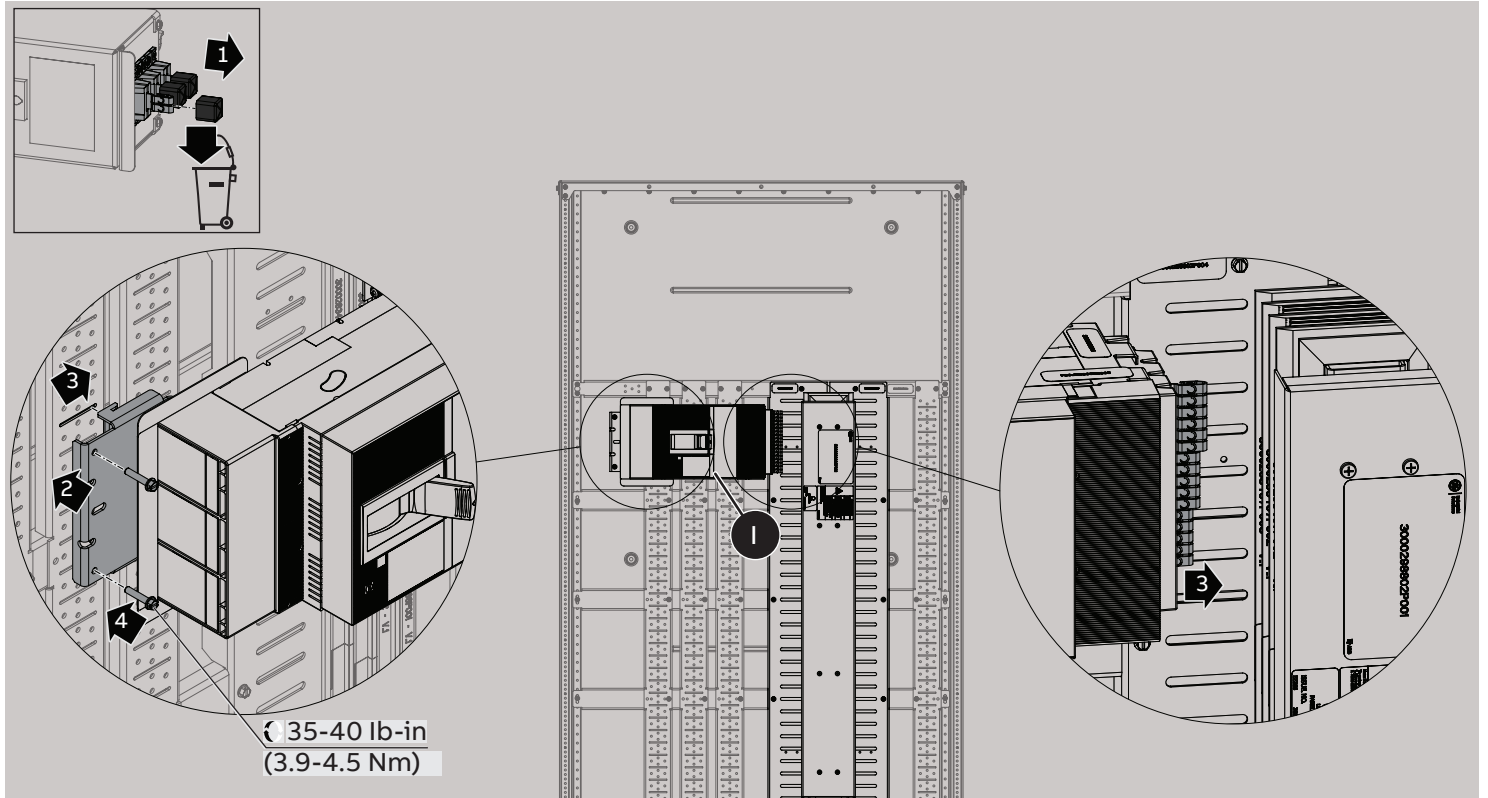
6b

Vertical main - XT5
B-phase components only included for 3-phase assemblies

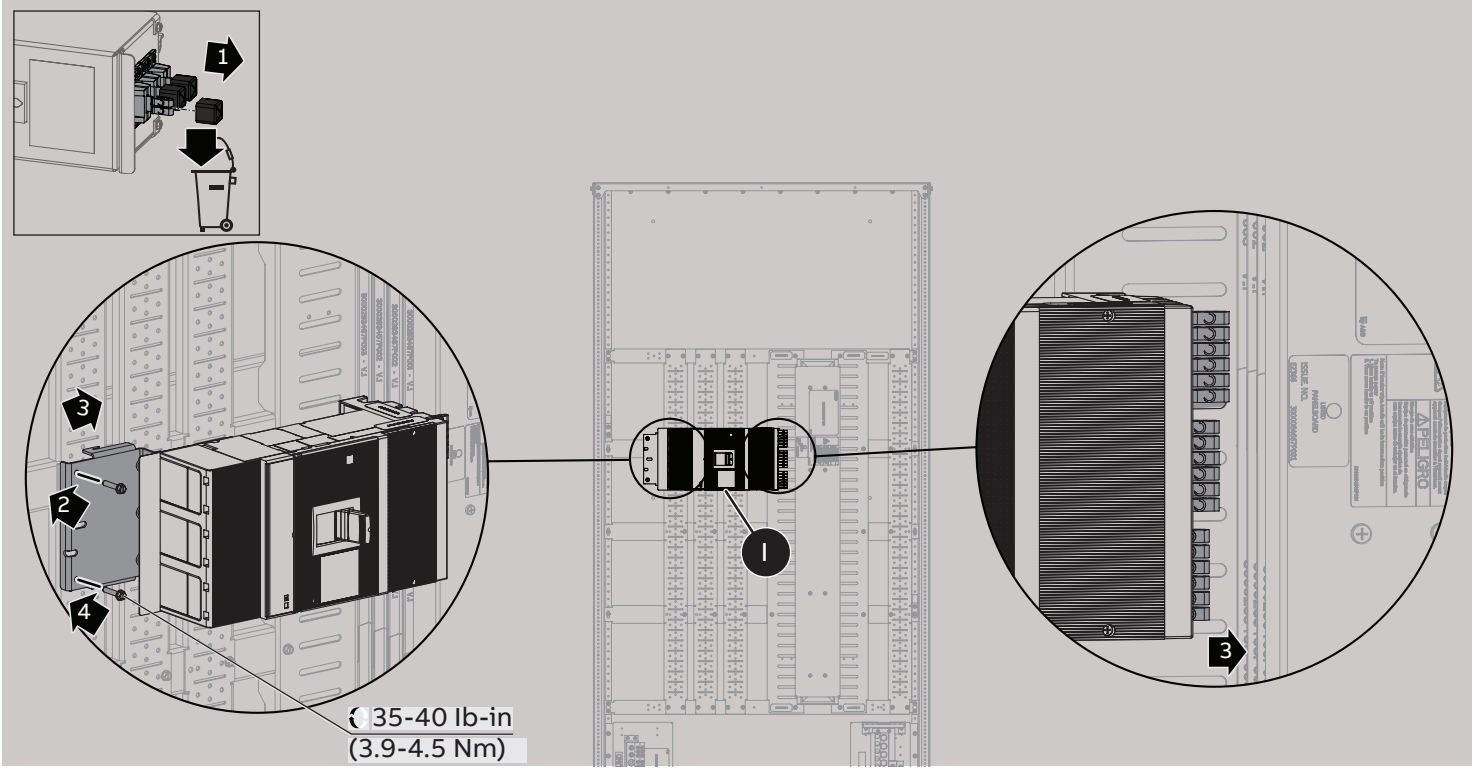


7

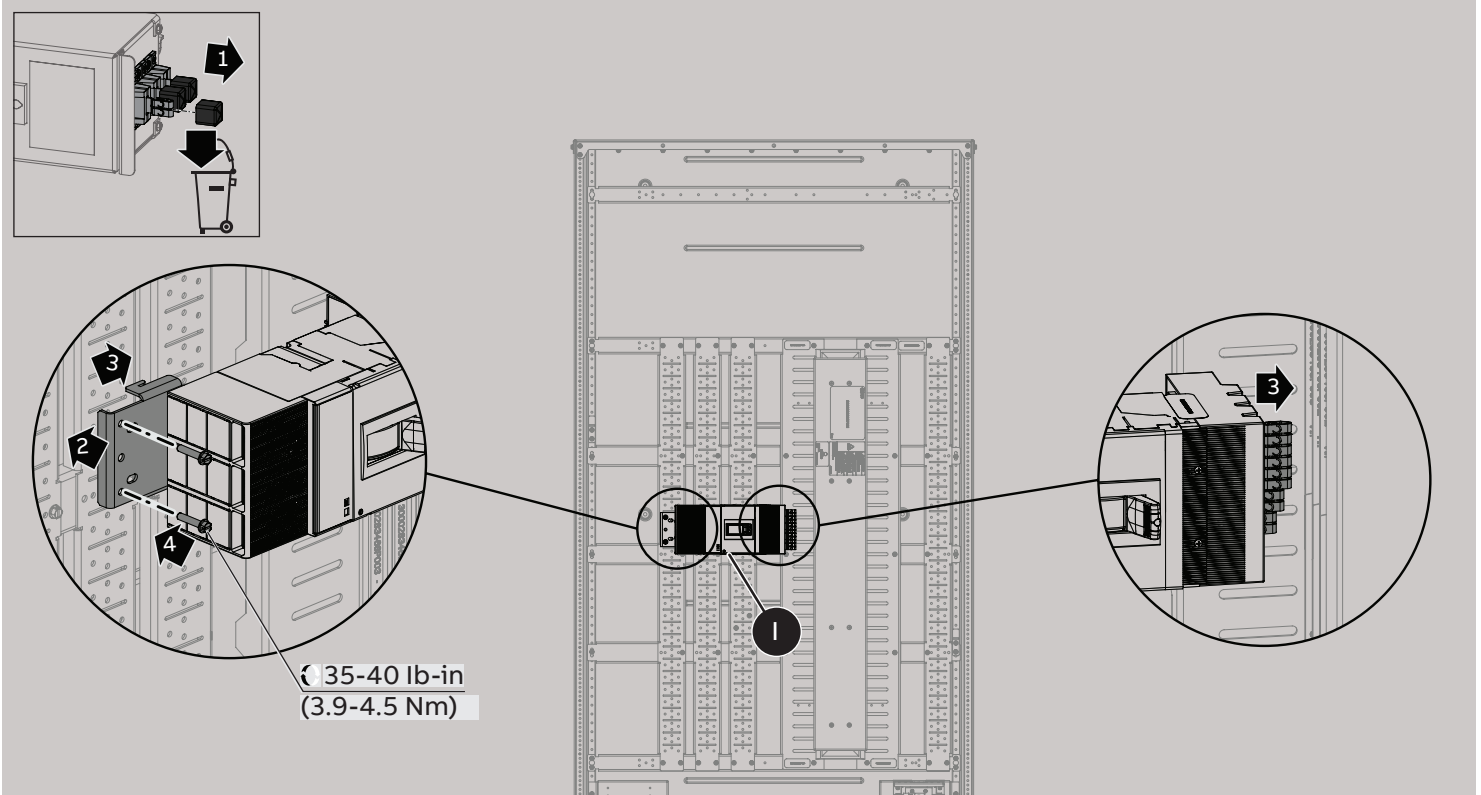
Horizontal main - XT7
B-phase components only included for 3-phase assemblies



Horizontal main - XT6
B-phase components only included for 3-phase assemblies

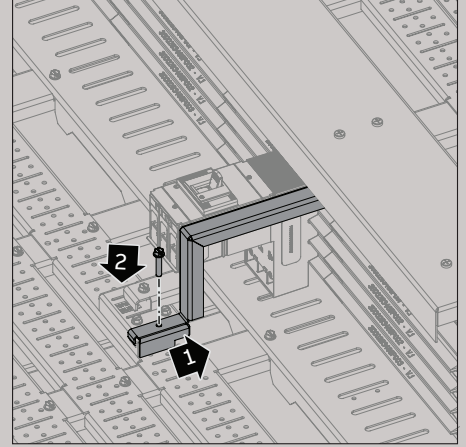
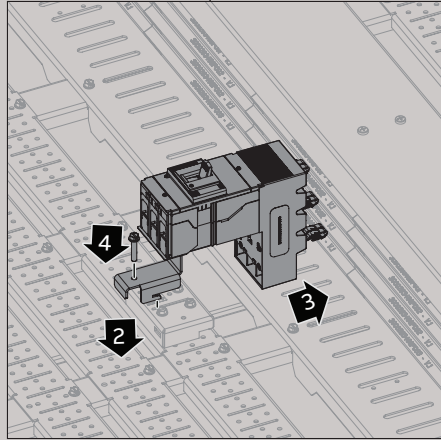
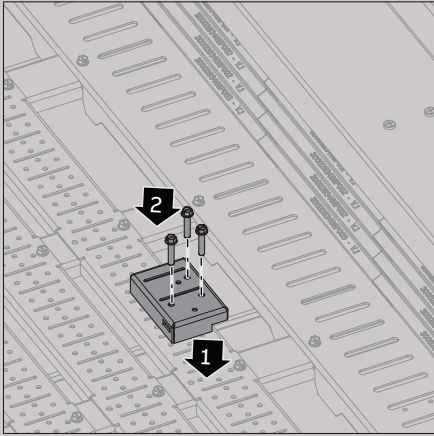
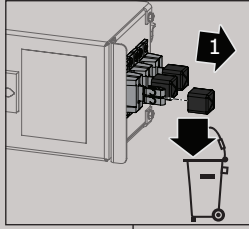


Horizontal main - XT5
B-phase components only included for 3-phase assemblies



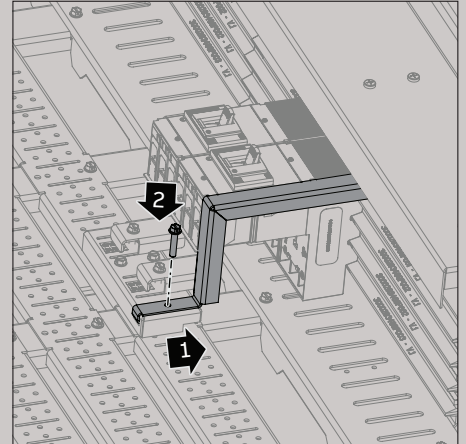
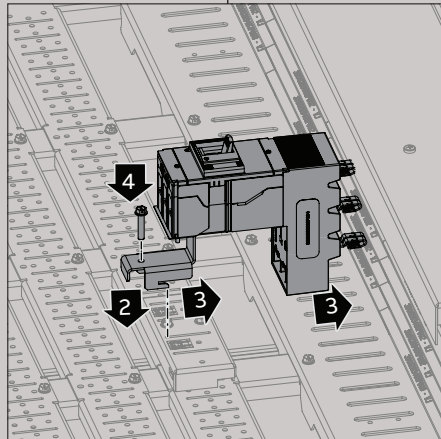
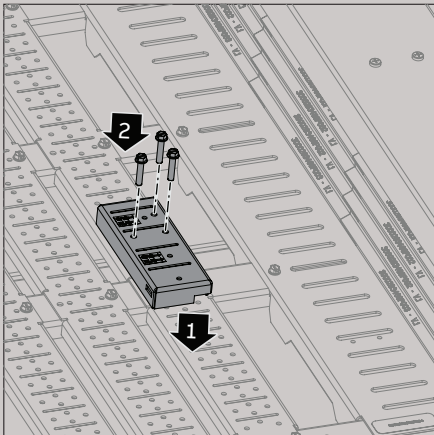
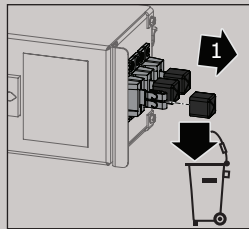
10

Horizontal main XT1 single mount
B-phase components only included for 3-phase assemblies



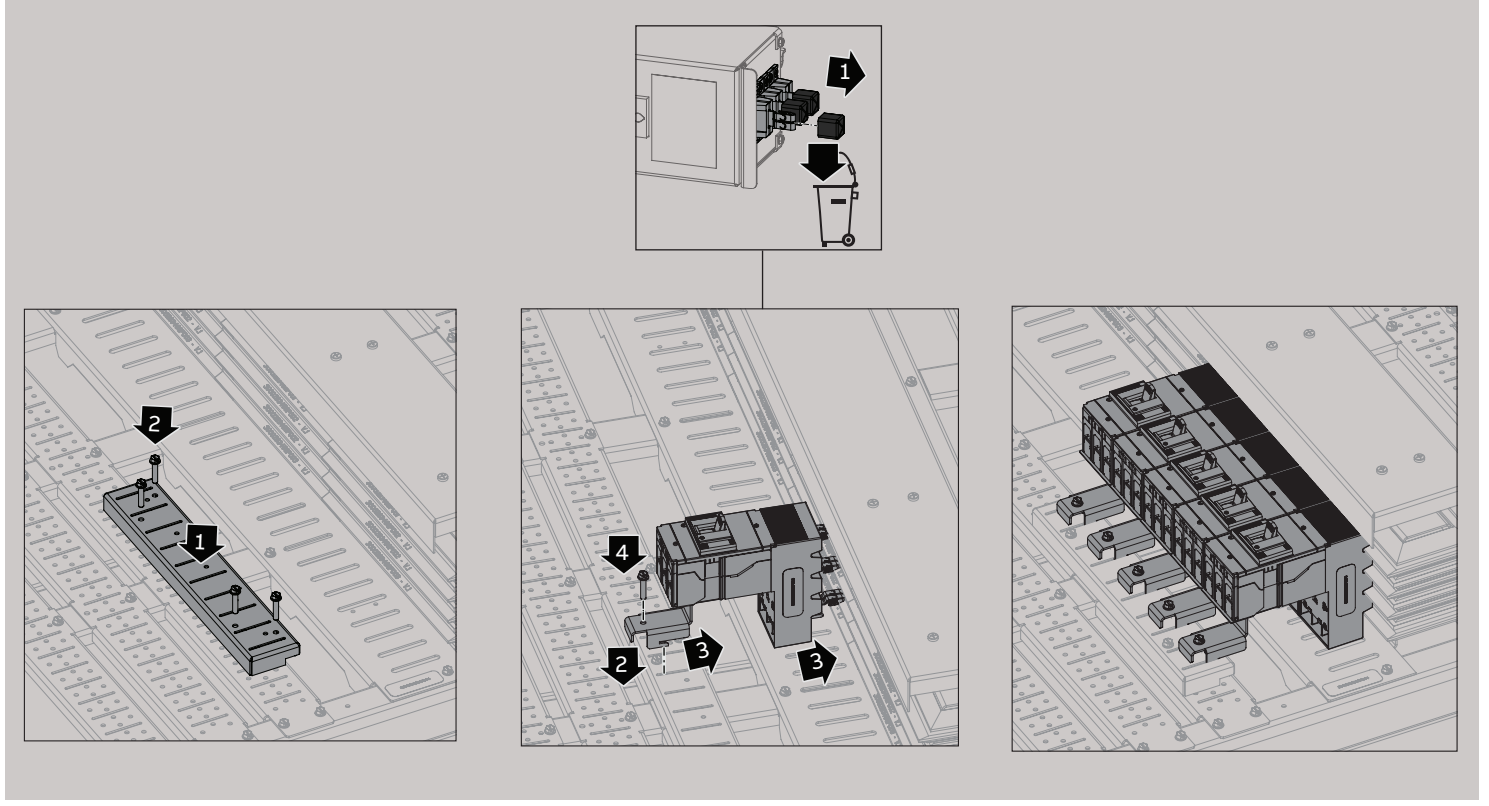
11

Horizontal main – Group mounting of 2 adjacent XT1
B-phase components only included for 3-phase assemblies



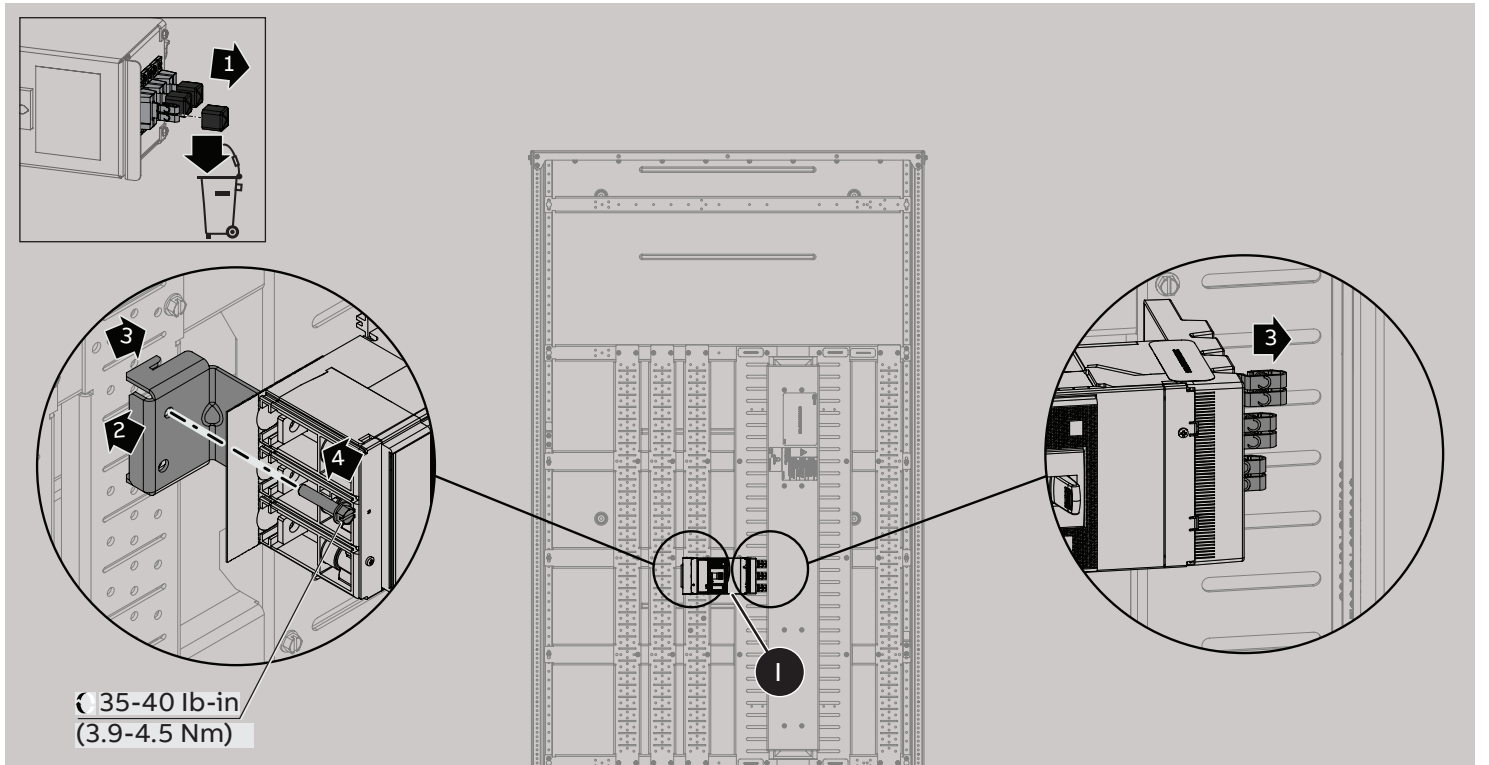
12

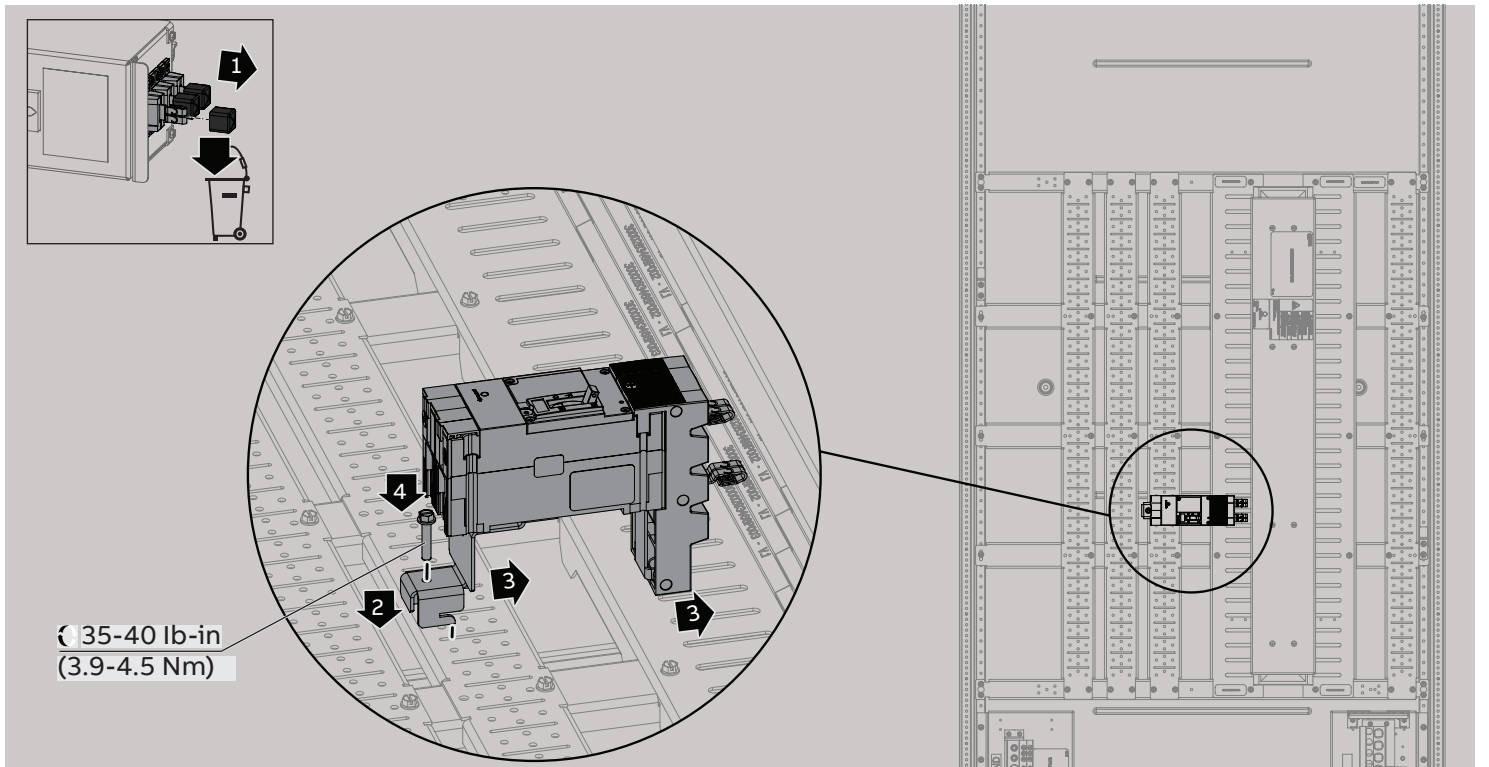
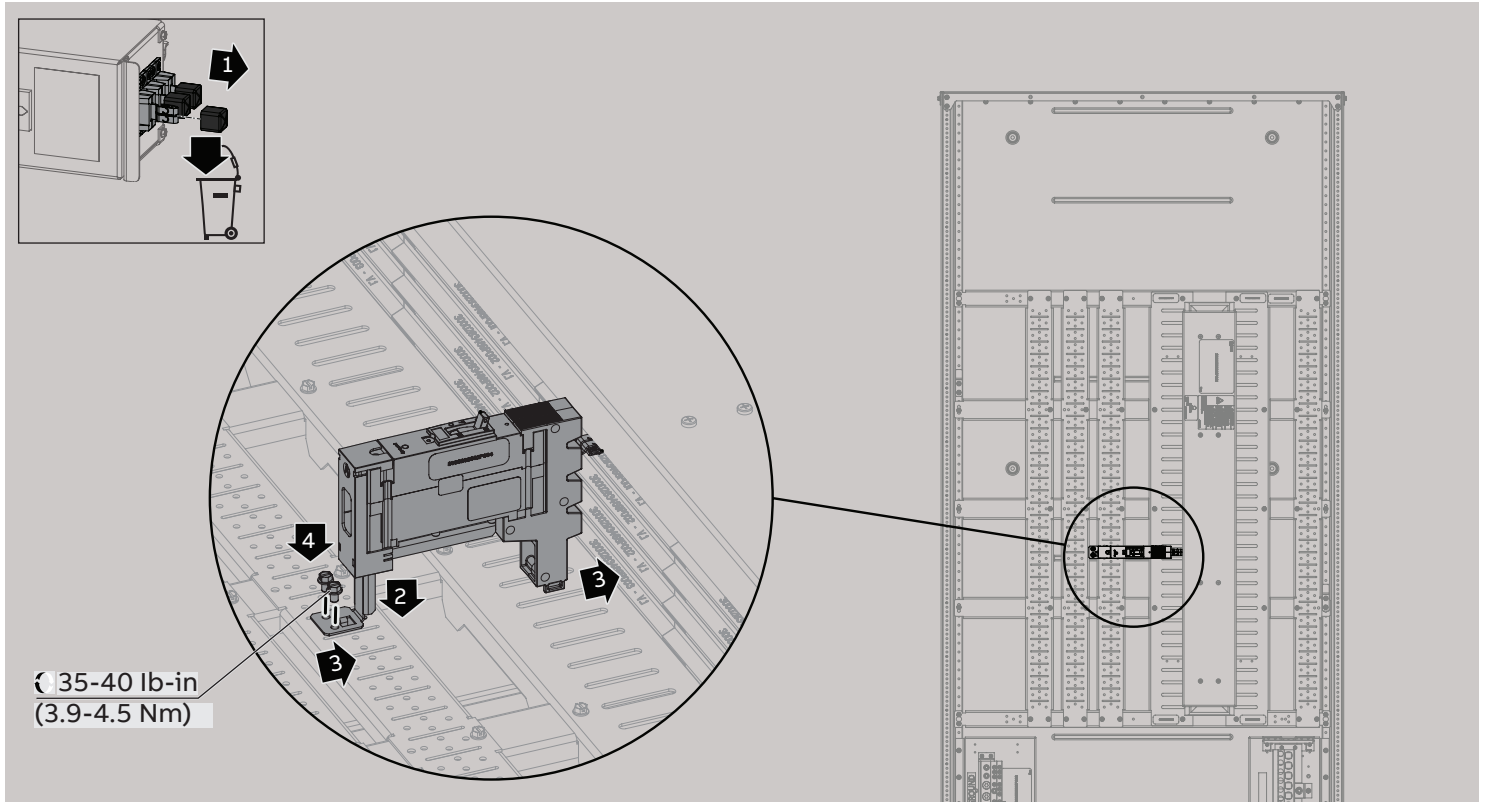
Horizontal main – Group mounting of 5 adjacent XT1
B-phase components only included for 3-phase assemblies

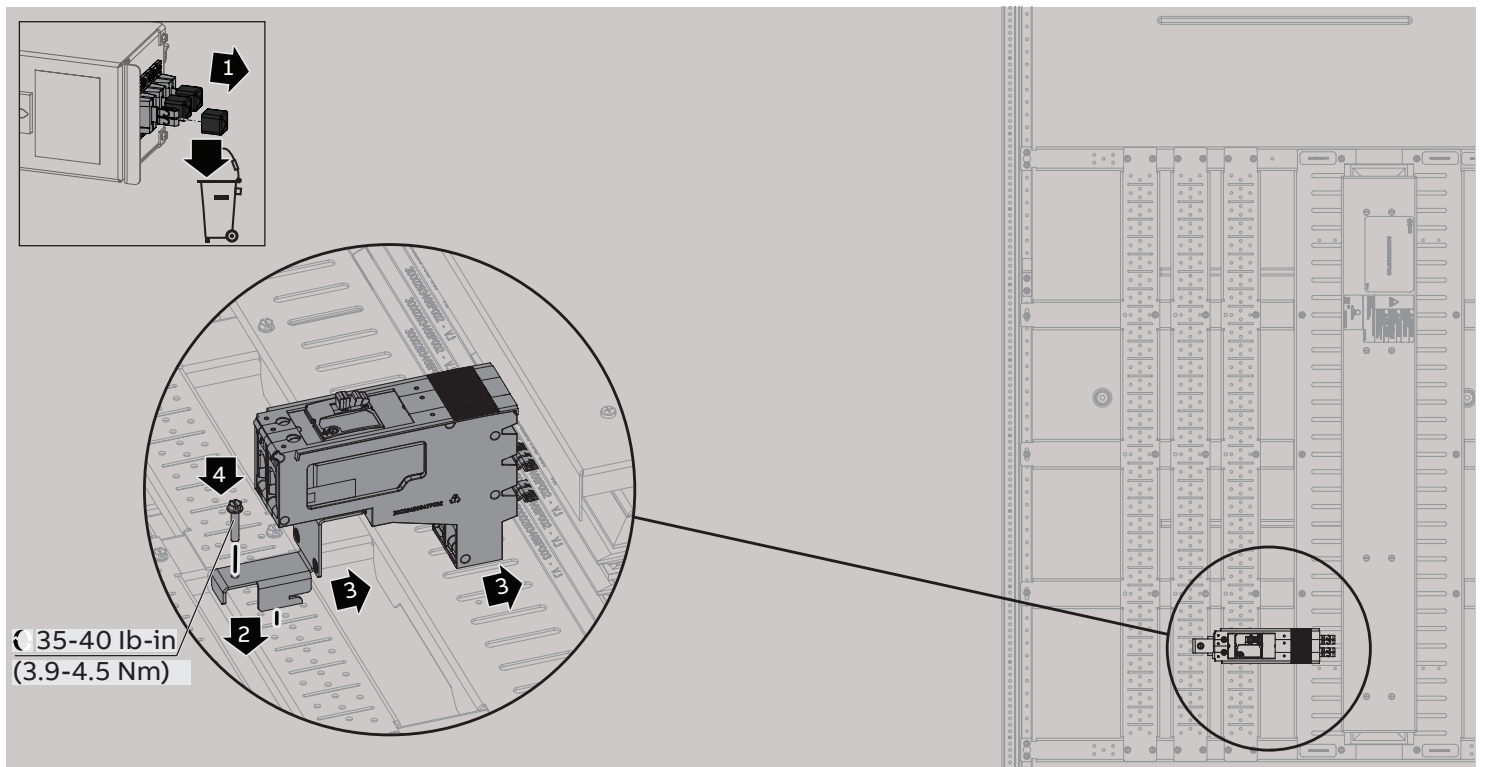
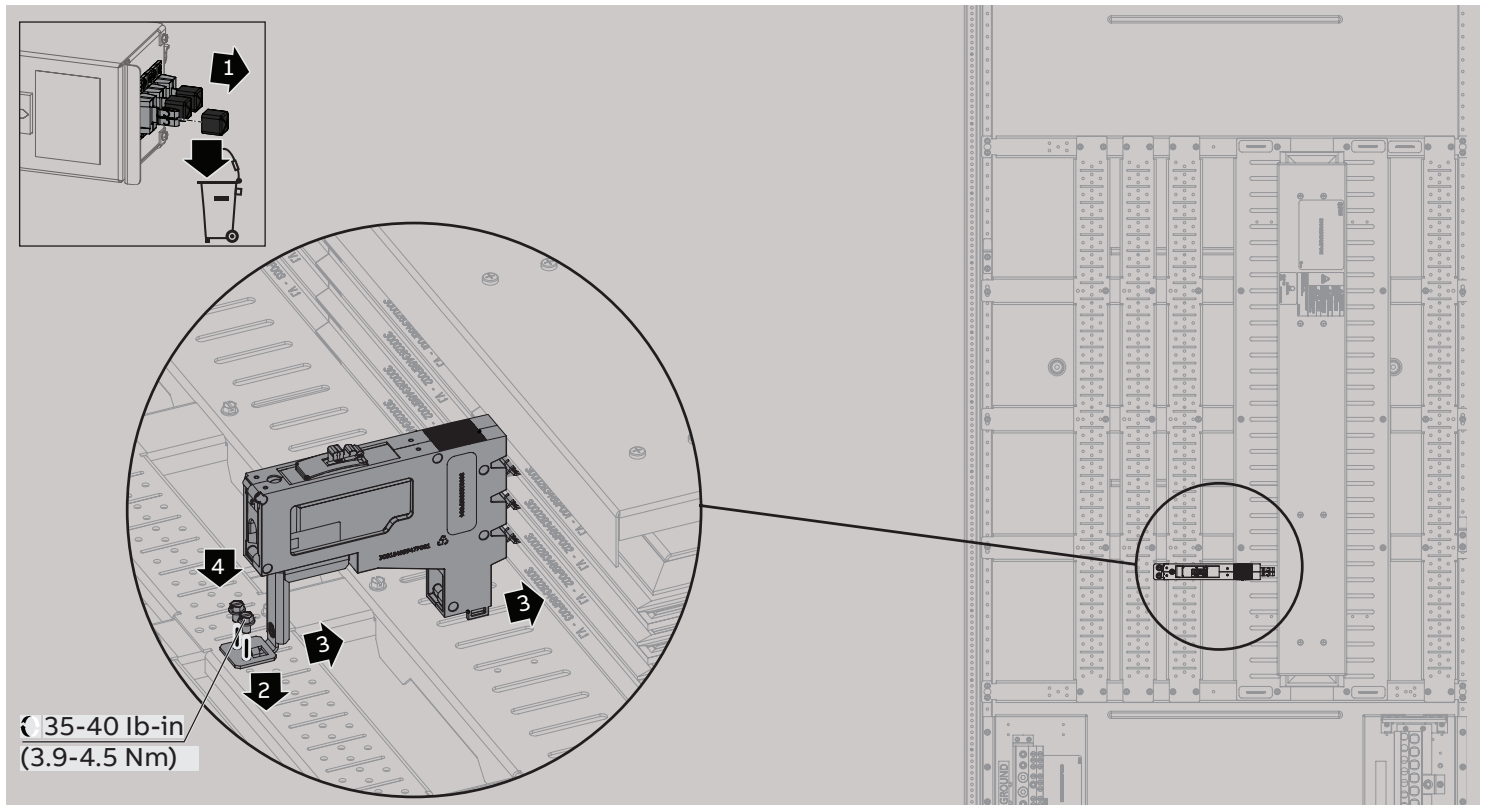


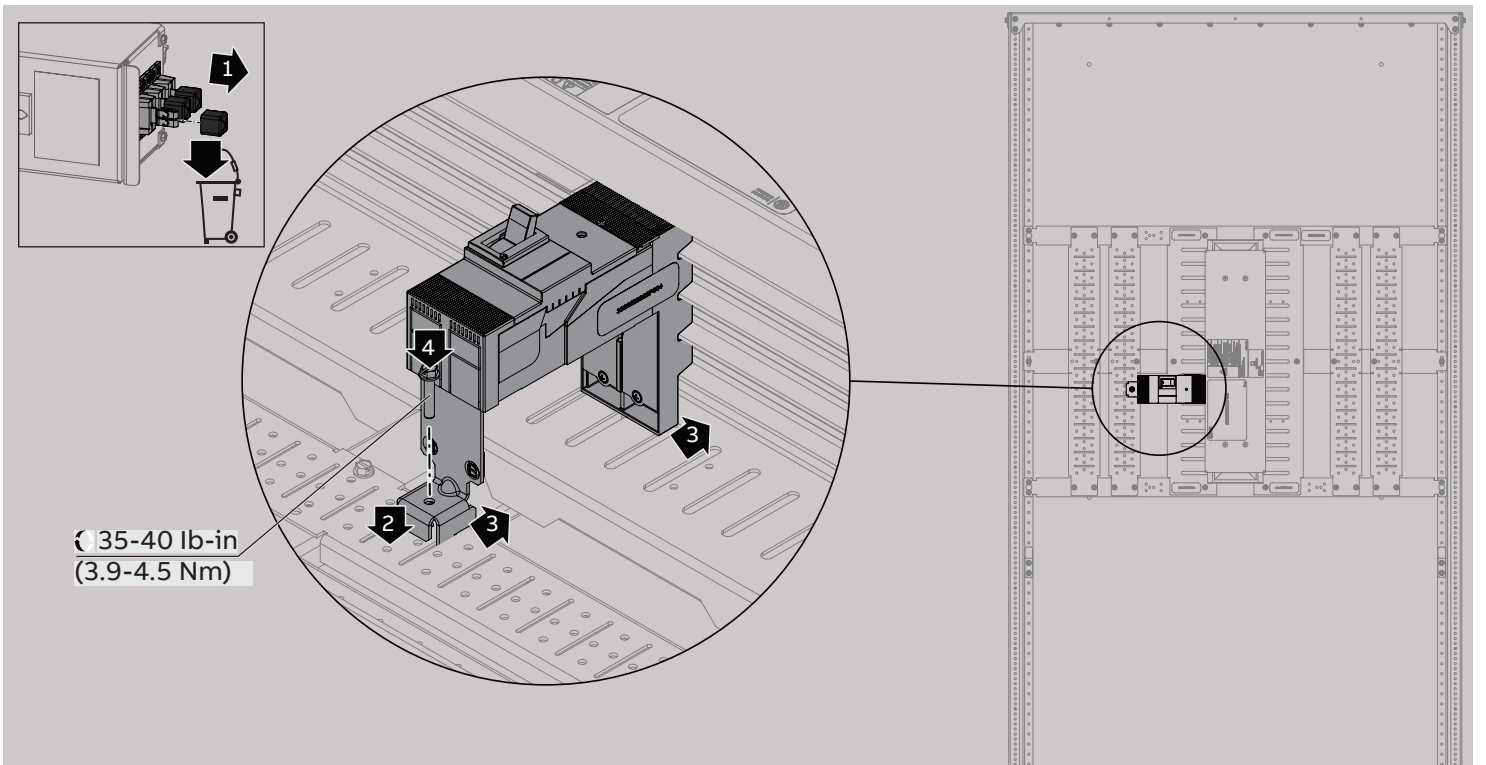
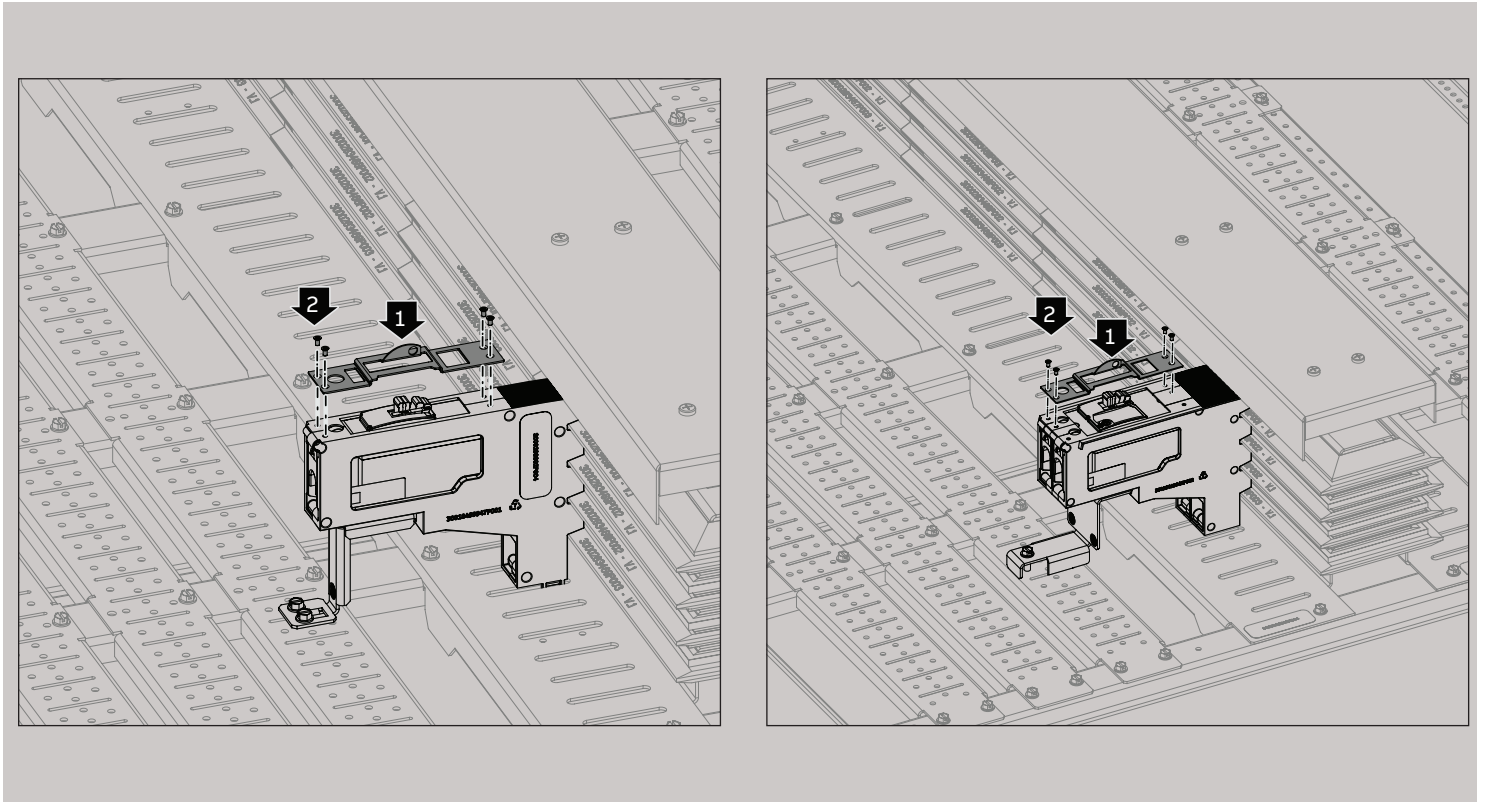
13

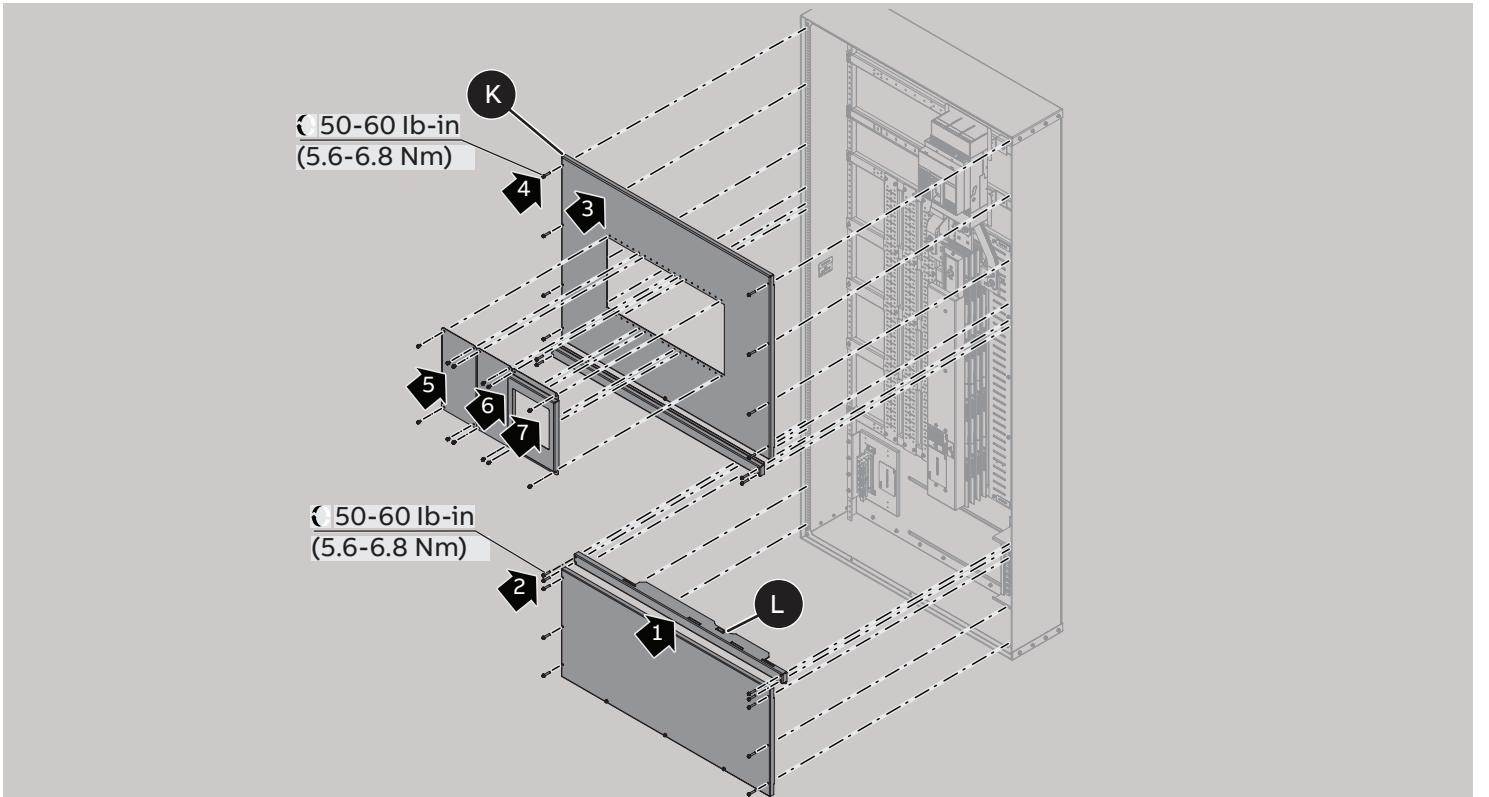
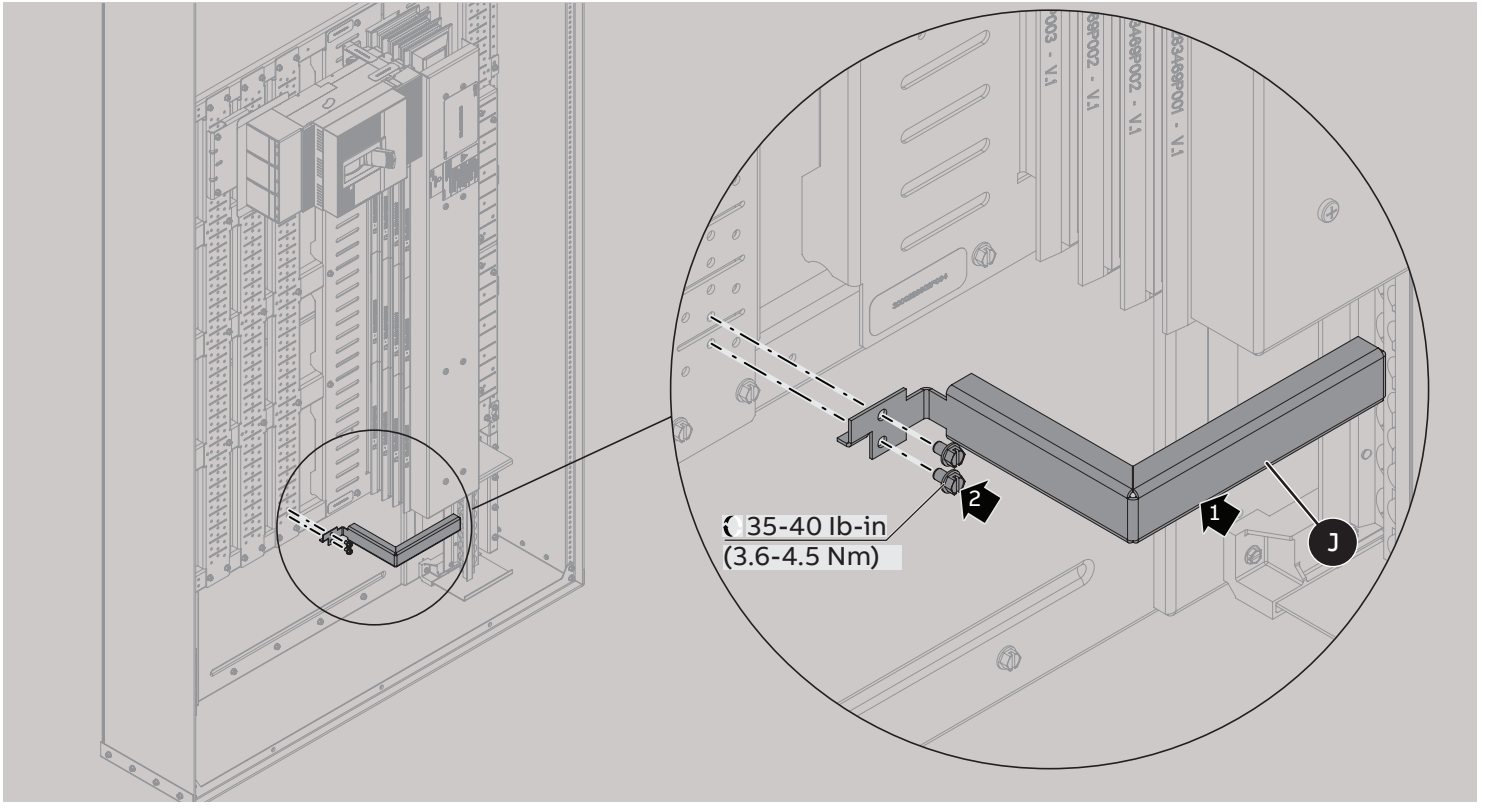
Horizontal main - XT4
B-phase components only included for 3-phase assemblies

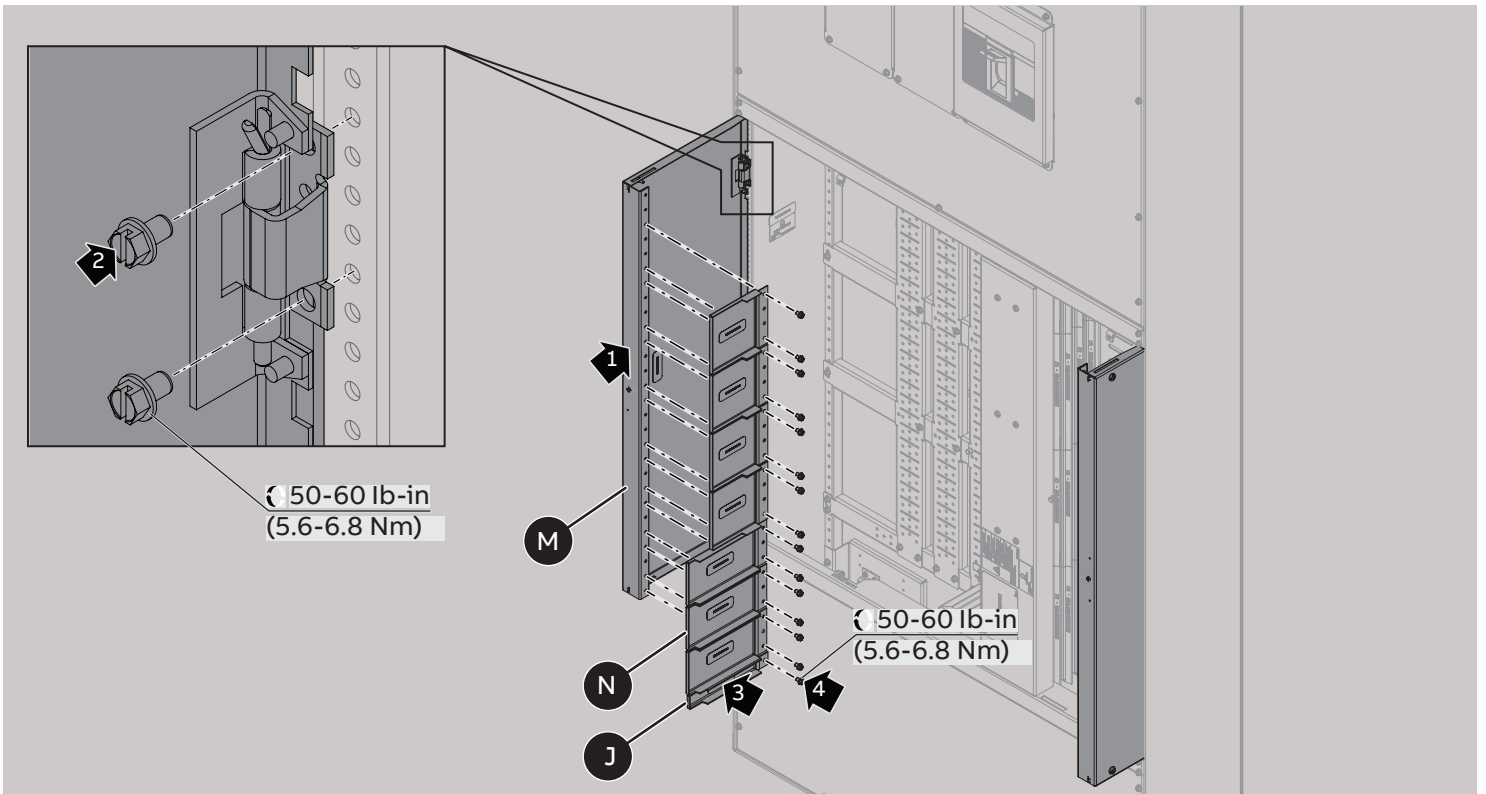
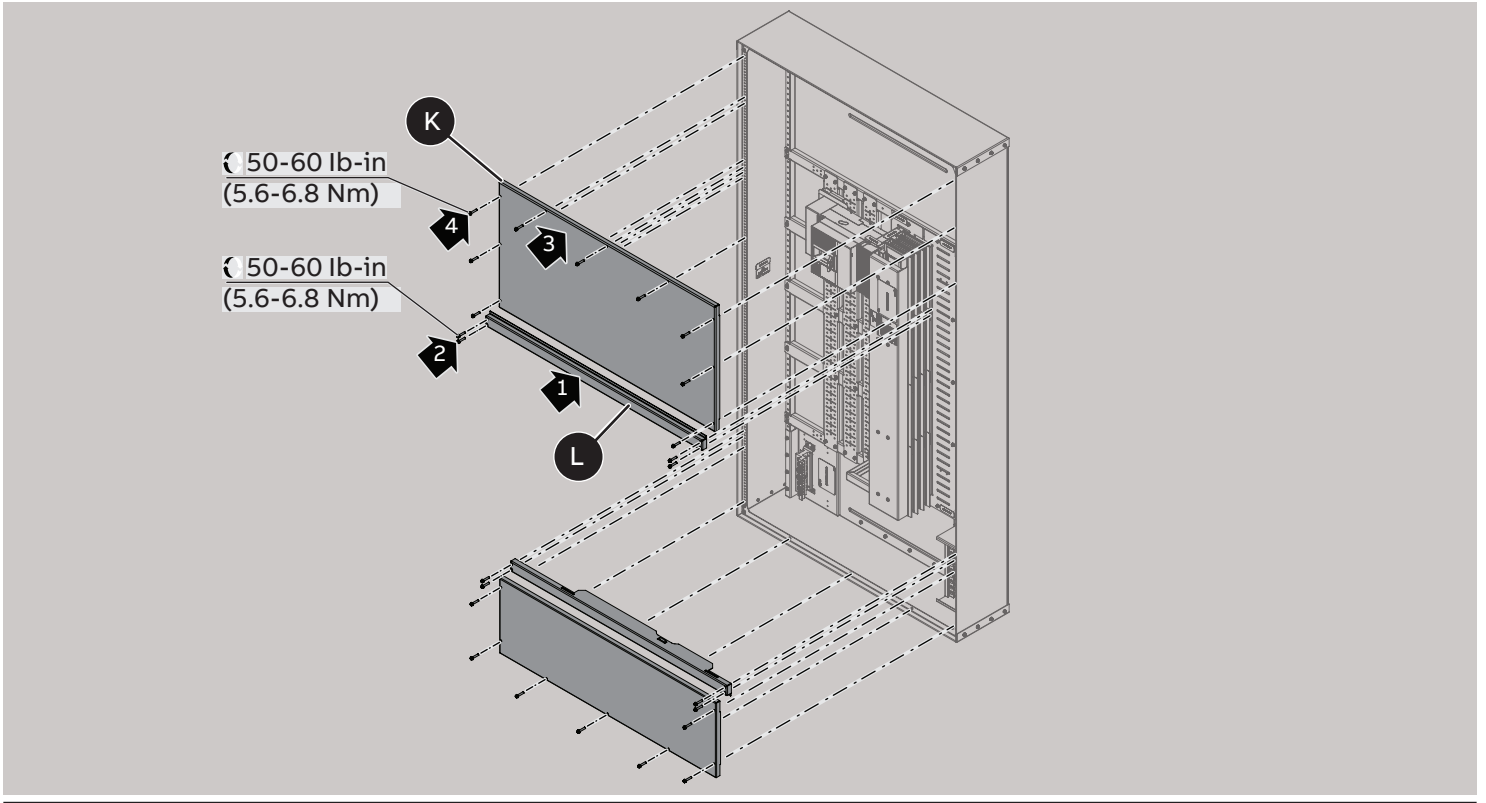


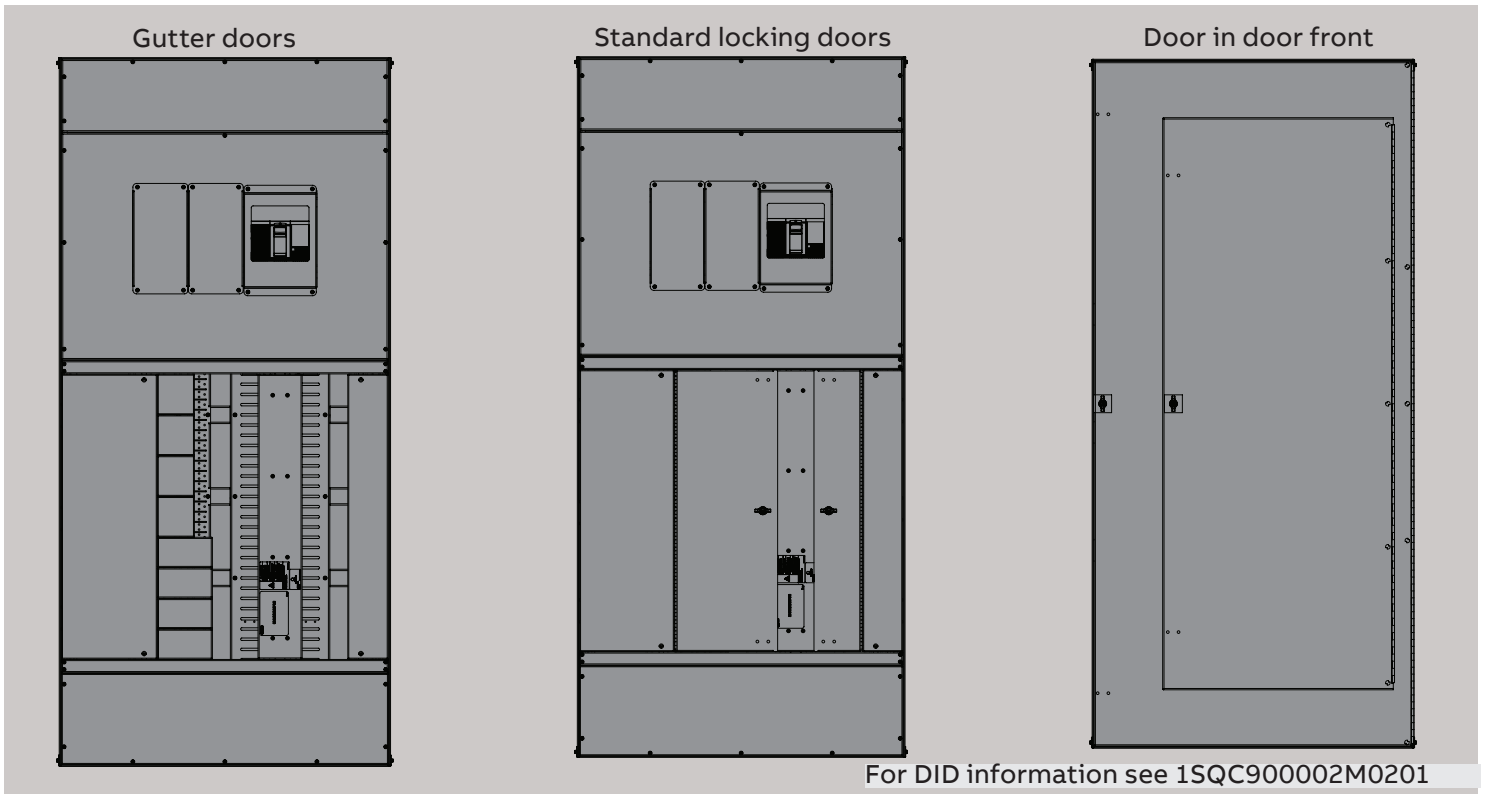
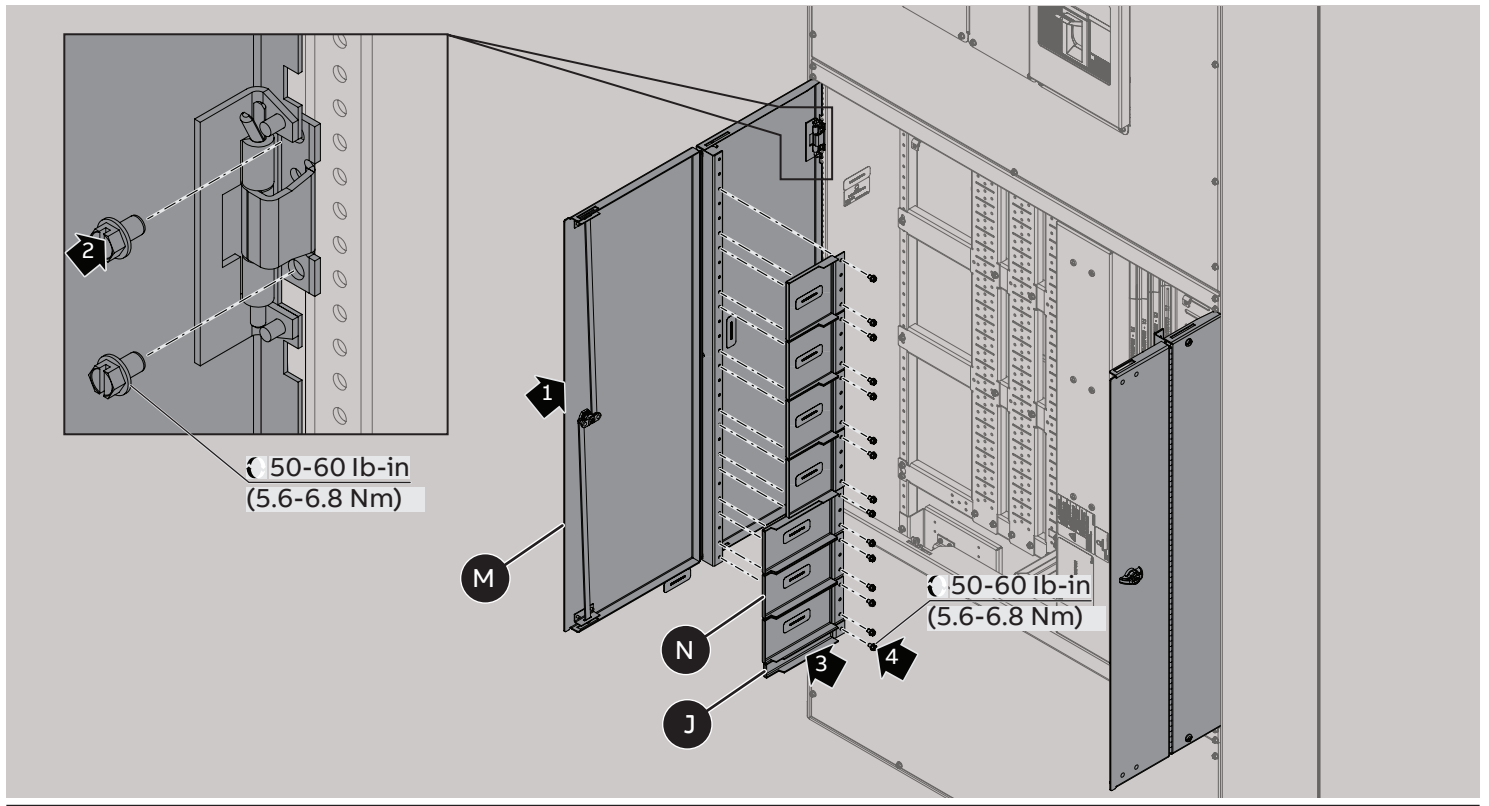












Disclaimer : These instructions do not cover all details or variations in equipment nor do they provide for every possible contingency that may be met in connection with installation, operation or maintenance. Should further information be desired or should particular problems arise that are not covered sufficiently for the purchaser's purposes, the matter should be referred to the ABB Company.

—
ABB Inc.
305 Gregson Drive
Cary, NC 27511

—
We reserve the right to make technical changes or modify the contents of this document without prior notice. With regard to purchase orders, the agreed particulars shall prevail. ABB AG does not accept any responsibility whatsoever for potential errors or possible lack of information in this document.

We reserve all rights in this document and in the subject matter and illustrations contained therein. Any reproduction, disclosure to third parties or utilization of its contents – in whole or in parts – is forbidden without prior written consent of ABB AG. Copyright © 2023 ABB
All rights reserved

abb.com