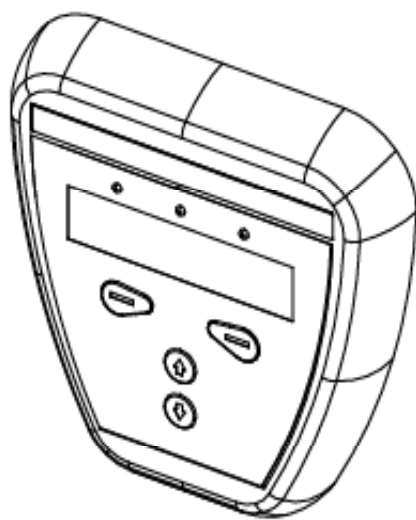
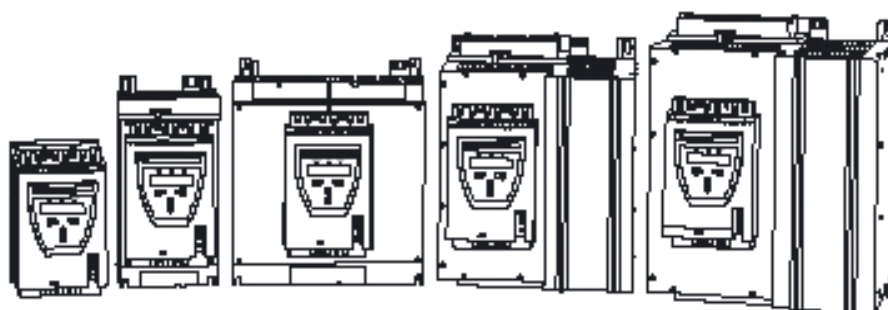


# External Keypad

## Type PSTEK for softstarters PST(B) Operating instructions

1SFC132017M0201 , May 2004



**ABB**

# Contents

Chapter	Page
External keypad type PSTEK	2
Transferring of parameters	3
Technical data	4

## External keypad type PSTEK



This instruction covers the usage of the external keypad PSTEK for door mounting. It is an optional extended Human Machine Interface (HMI) suitable for PST and PSTB softstarters.

The kit includes all needed material for panel mounting, three screws, drilling plan and a 3-meter // 9,8 feet cable handling both the serial communication and power supply to the keypad.

The external keypad can also be used for transferring parameters from one softstarter to another during commissioning (temporarily handheld). Note that IP66 cannot be achieved when the keypad is not mounted.

When the external keypad is used, both keypads will work in parallel but the softstarter keypad has always the highest priority if the keys on both units are pressed simultaneously.



*For mounting– see the “Installation instruction” enclosed with the keypad.*

# Transferring of parameters

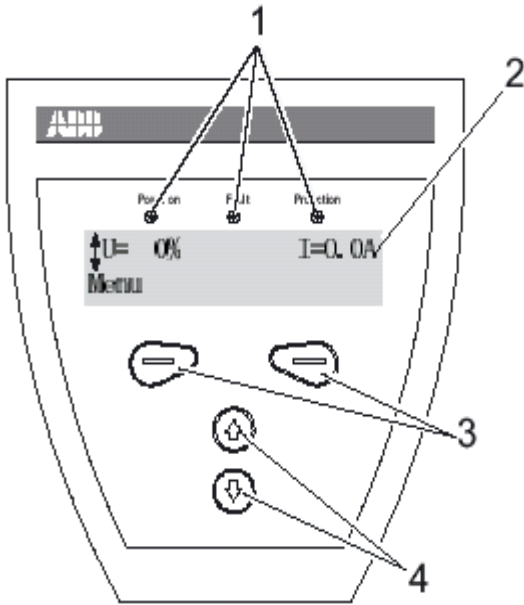


Figure 1:

- 1 Status indication LEDs
  - 2 LCD display
  - 3 Selection keys for selecting, changing and storing parameters
  - 4 Navigation keys for navigating in the menus
- Arrows shown in the display indicates that the value/menu is possible to change or scroll

To transfer(copy) parameters from one softstarter to another, connect the keypad to the chosen softstarter and follow the sequence below.

## Uploading of parameters

Enter the menu *Transfer par* . Select *To Keypad* and confirm by pressing *Select*. A text *Load to keypad* will be displayed. Continue by pressing *Execute* and then *Yes* when the text *Are you sure* is displayed. *Transfer OK* will now be displayed if the transmission was successful, otherwise *Transfer NOT OK*.

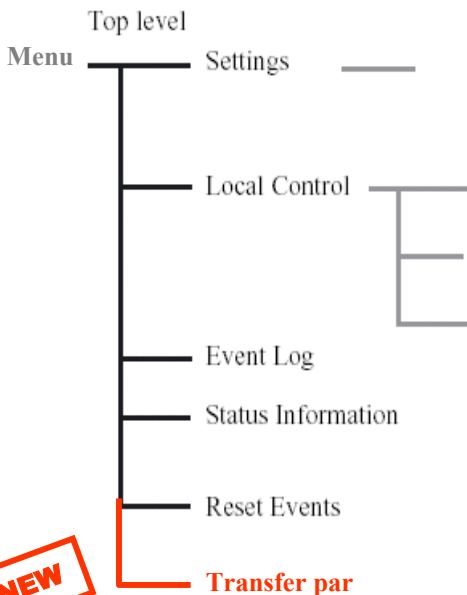
## Downloading of parameters

To download the parameters, connect the keypad to the chosen softstarter and select *To Starter*. A text *Load to Start* will be displayed. Continue by pressing *Execute* and then *Yes* when the text *Are you sure* is displayed. *Transfer OK* will now be displayed if the transmission was successful, otherwise *Transfer NOT OK*. Set the parameter *Setting Ie* and confirm by pressing *Next*.



*The parameters in the menu Service Settings will not be transferred.*

*How to operate the keypad, see Chapter 6 “Human-Machine Interface (HMI)” in the “Installation and commissioning manual” enclosed with the softstarter.*



**NEW**

## Technical data

Display	20 segment LCD
Signal indications LED's	
<i>Power on</i>	Green
<i>Protection</i>	Yellow
<i>Fault</i>	Red
Keys	2 for selection and 2 for navigation
Degree of protection	IP66 (when fixed mounted)
Marine approvals	<i>Lloyds (pending)</i>
Ambient temperatures	
<i>During operation</i>	0...50 Degree C // 32...122 Degree F
<i>During storage</i>	-25...70 Degree C // -13...158 Degree F
Weight	0,4 Kg // 0,9 Ib
UL approval	UL type 1, <i>UL type 4X Indoor (Pending)</i>



---

**ABB Automation Technologies AB,**  
CEWE - Control

S-721 61 Västerås, SWEDEN  
Telephone +46 21 32 07 00  
TELEFAX +46 21 12 60 01