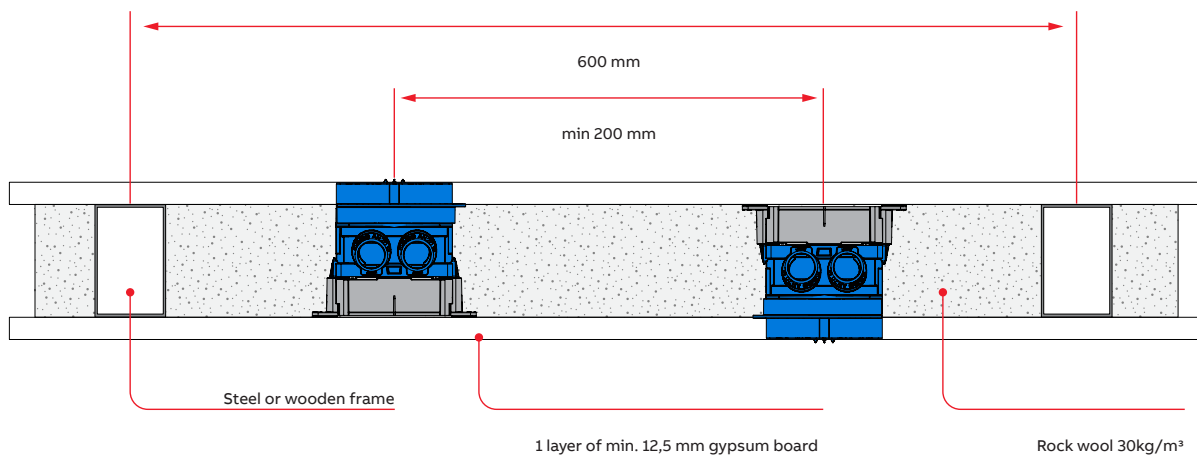


Installation instructions for System Ideal boxes in EI30 fire-rated walls

ABB's System Ideal boxes are tested to be used in EI30 fire-rated walls. Fire resistance of structures has been tested at VTT Expert Services Ltd according to standards EN 1366-6:2009 and EN 1363-1 (Test reports no. VTT-S-04586-13 and no. VTT-S-03182-12).



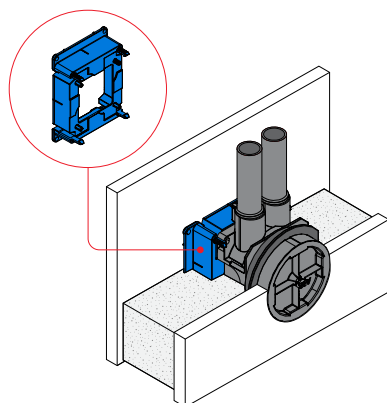
Minimum requirement for wall structure:

- 12,5 mm standard gypsum board on both sides of the wall
- Steel or wooden frame c/c 600 mm
- 70 mm rock wool insulation (Min. density 30 kg/m³)*
- When boxes are installed on opposite sides of the wall c/c min 200 mm
- Ø74 mm hole for AU60.1, AU5.6 and AU60.5 boxes
- Ø84 mm hole for AU67 boxes
- Rock wool needs to be installed behind boxes and inside box supports

*AU60.10FR mounting box needs to be used if glass wool (Min. density 10 kg/m³) is used for insulation

APPROVED INSTALLATION FOR SINGLE BOXES:

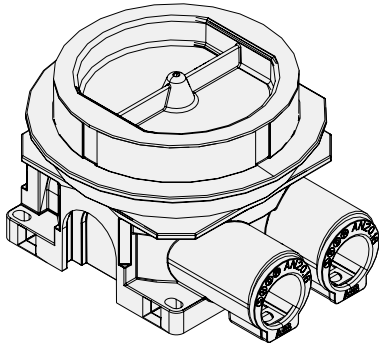
Installation:



Installation with plastic box support AS27 or AS27.12

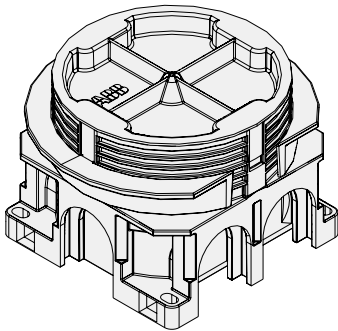
APPROVED SINGLE BOXES:

—
AU60.1



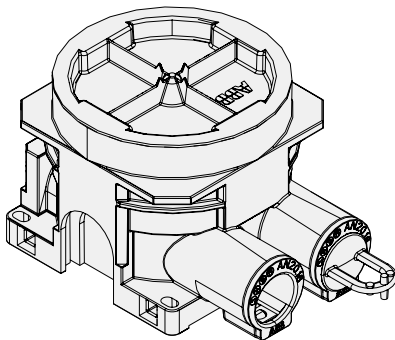
- Installation height max 2900 mm from floor (or min 100 mm from ceiling).
- Approved installation: with plastic box support AS27 or AS27.12

—
AU60.5



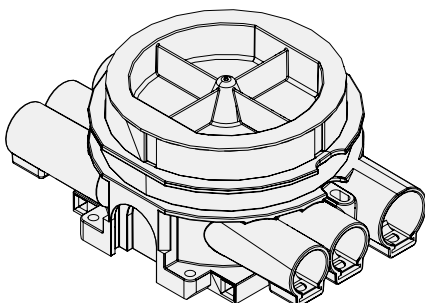
- Installation height max 2900 mm from floor (or min 100 mm from ceiling).
- Approved installation: with plastic box support AS27 or AS27.12

—
AU5.6



- Installation height 2100 mm from floor (or min 100 mm from ceiling)
- Approved installation: with plastic box support AS27 or AS27.12

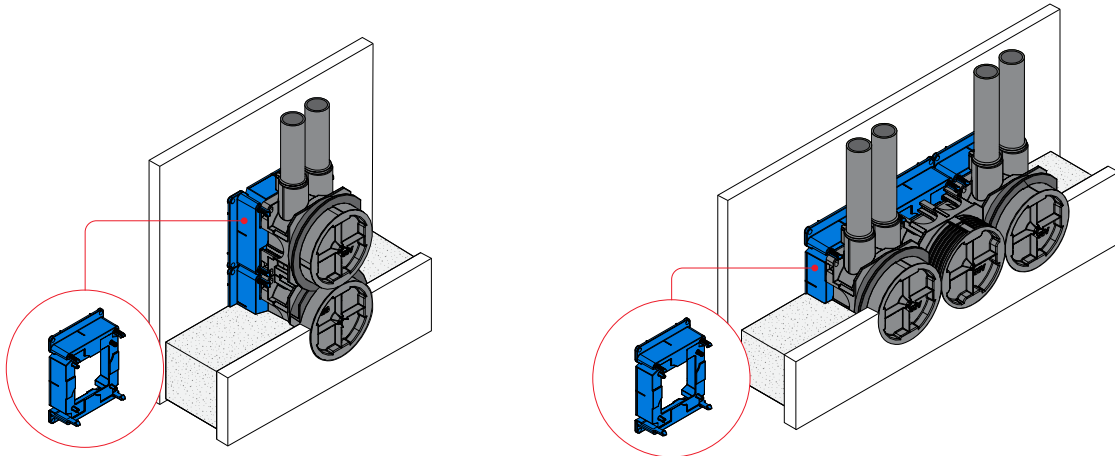
—
AU67



- Installation height max 2900 mm from floor (or min 100 mm from ceiling).
- Approved installation: with plastic box support AS27 or AS27.12

APPROVED INSTALLATIONS FOR COMBINATIONS:

—
Installations:
A
B



VERTICAL COMBINATION

- Max installation height max 1100 mm from floor
- Maxi 2 boxes*
- Approved boxes AU60.1, AU5.6, AU60.5
- Approved installations: with plastic box support AS27 or AS27.12

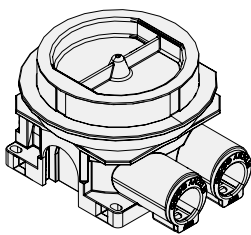
*AU60.10FR mounting box needs to be used with 3 box vertical combination

HORIZONTAL COMBINATION

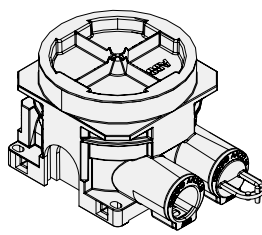
- Max installation height 300 mm from floor
- Max 3 boxes*
- Approved boxes AU60.1, AU5.6, AU60.5
- Approved installations: with plastic box support AS27 or AS27.12

*AU60.10FR mounting box needs to be used with 4 box horizontal combination

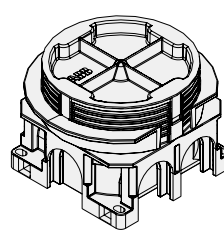
APPROVED BOXES FOR COMBINATIONS:



AU60.1

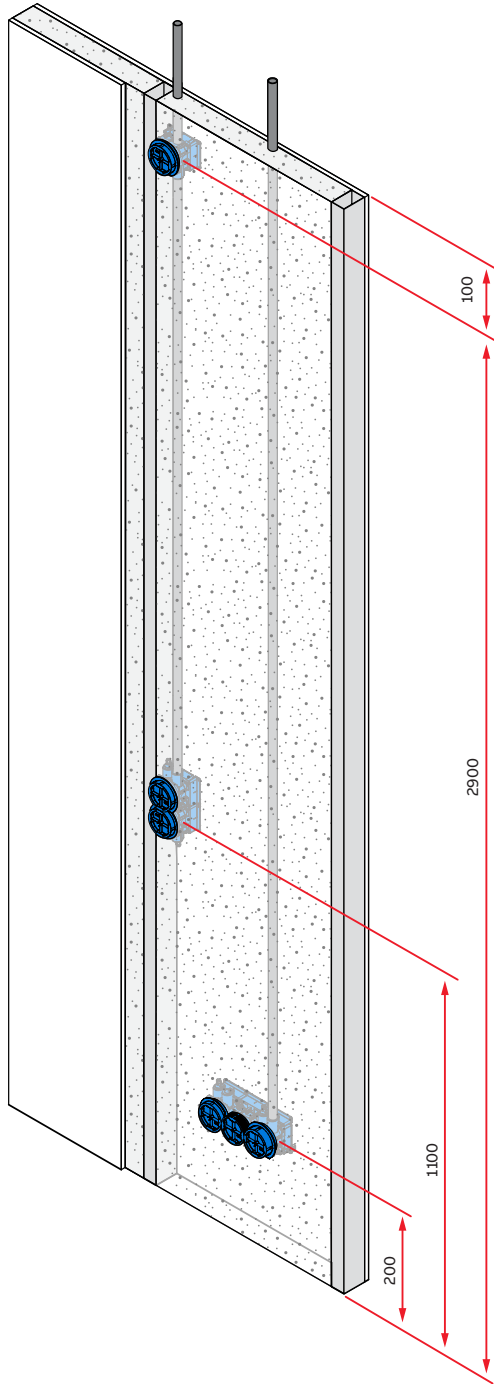


AU5.6



AU60.5

—
Example
installation:



—
ABB Oy
Porvoon Sisäkehä 2, PO Box 16
FI-06101 Porvoo, Finland
Phone: +358 10 22 11

—
We reserve the right to make technical changes or modify the contents of this document without prior notice. With regard to purchase orders, the agreed particulars shall prevail. ABB AG does not accept any responsibility whatsoever for potential errors or possible lack of information in this document.

—
We reserve all rights in this document and in the subject matter and illustrations contained therein. Any reproduction, disclosure to third parties or utilization of its contents – in whole or in parts – is forbidden without prior written consent of ABB AG. Copyright© 2023 ABB
All rights reserved

PEM1145/411042A