



Brochure

Outlet units For charging and temporary power

Outlet units From ABB

ABB is a leader in power and automation technologies enabling utility and industry customers to improve performance while lowering the environmental impact. The ABB Group of companies operates in over 100 countries and employs about 120.000 people.



ABB Group contains five divisions:

Power Products (components to transmit and distribute electricity), Power Systems (systems and services for power transmission, distribution grids and power plants), Discrete Automation and Motion (products and solutions for increasing industrial productivity and energy efficiency), Process Automation (providing customers with products and solutions for instrumentation, automation and optimization of industrial processes) and Low Voltage Products (with breakers, switches, control products, wiring accessories etc.).

ABB has a long tradition in producing safe high quality electrical products. Our wide range of products includes aluminum enclosed outlet units for car-heaters, boat marinas and camping sites. Based on 50 years of design and production experience, we have developed reliable products.

From the winter landscape in the northern part of the Scandinavian countries to the warm deserts of the United Arab Emirates, the aluminum enclosed products have proven to withstand extreme environmental conditions. They have demonstrated to be reliable and safe in public installations.

All outlet units are very easy to mount and maintain, and you can easily change the insert when needed. Only high quality components are used to ensure highest safety for the user.

Top and bottom of the boxes are made of die-cast aluminium and painted grey. Sides and doors are made from anodized aluminium profiles. Rubber sealing in EPDM-rubber (Ethylene Propylene Diene Monomer, a type of synthetic rubber). All units are equipped with RCD/MCB (Residual Current Device/Miniature Circuit Breaker) to prevent overload and short-circuit.

Outlet units Selection guide

Garden



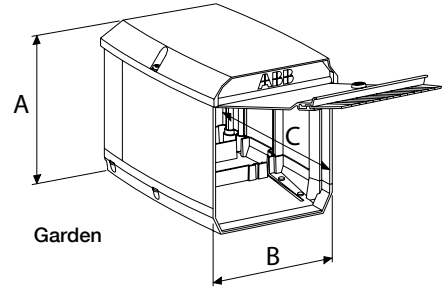
Service



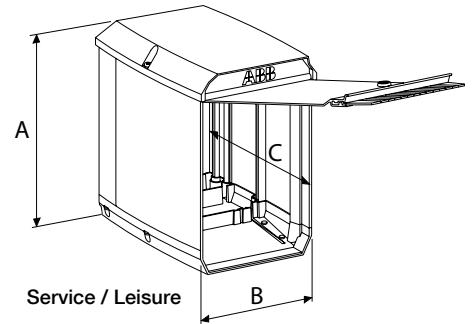
Leisure



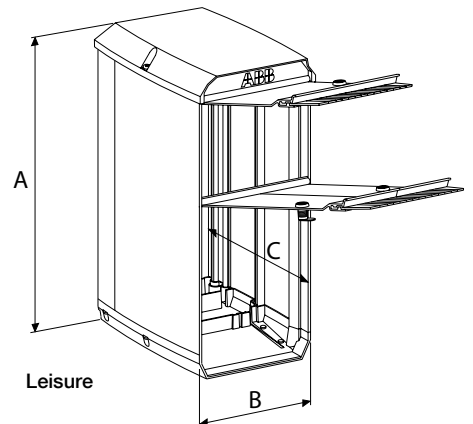
Dimensions



A: 210 mm
B: 175 mm
C: 165 mm



A: 310 mm
B: 175 mm
C: 165 mm



A: 435 mm
B: 175 mm
C: 165 mm

Garden



A small handy outlet box that is suitable for public parks, gardens, market squares and in fact anywhere where you need temporary power supply. The outlet boxes have protection class IP44 and can be mounted on a wall or on a post. A solution that is much safer than a connection of plugs and connectors lying on the ground.

General technical data

Standards: EN 60 439-1, -3

Voltage: 230/400V 50Hz

Current: 10A

Connection: 6 mm²

Weight: 3.9 kg

Protection class: IP44

Ordering info

Type	Order code	Outlets
CW050	2CMA177456R1000	2 x Schuko



Accessories for all outlet boxes

	Type	Order code	Weight [kg]
Pole Ø108 mm	CWF108B	2CMA177269R1000	11.3
Post mount adapter	CWC1	2CMA177392R1000	0.7
Wall mount adapter	CWC4	2CMA177391R1000	0.7

Service



Service outlet boxes are most suited for parking lots for trucks and/or busses. They are available for single or 3 phase connection. Choose between post or wall mounted boxes.

General technical data

Standards: EN 60 439-1, -3

Voltage: 230/400V 50Hz

Connection: 5 x 16 mm²

Protection class: IP44

Weight: 5.3 / 5.4 / 5.4 kg

Ordering info

Type	Order code	Outlets	Current
CWB10K	2CMA177450R1000	2 x Schuko	10A
CWF12K	2CMA177451R1000	1 x Schuko	10A
		1 x 416-6	16A
CWF10K	2CMA177452R1000	1 x 216-6	16A
		1 x 416-6	16A



Garden

- Small and handy.
- Post or wall mounted.
- For parks, gardens and market squares.



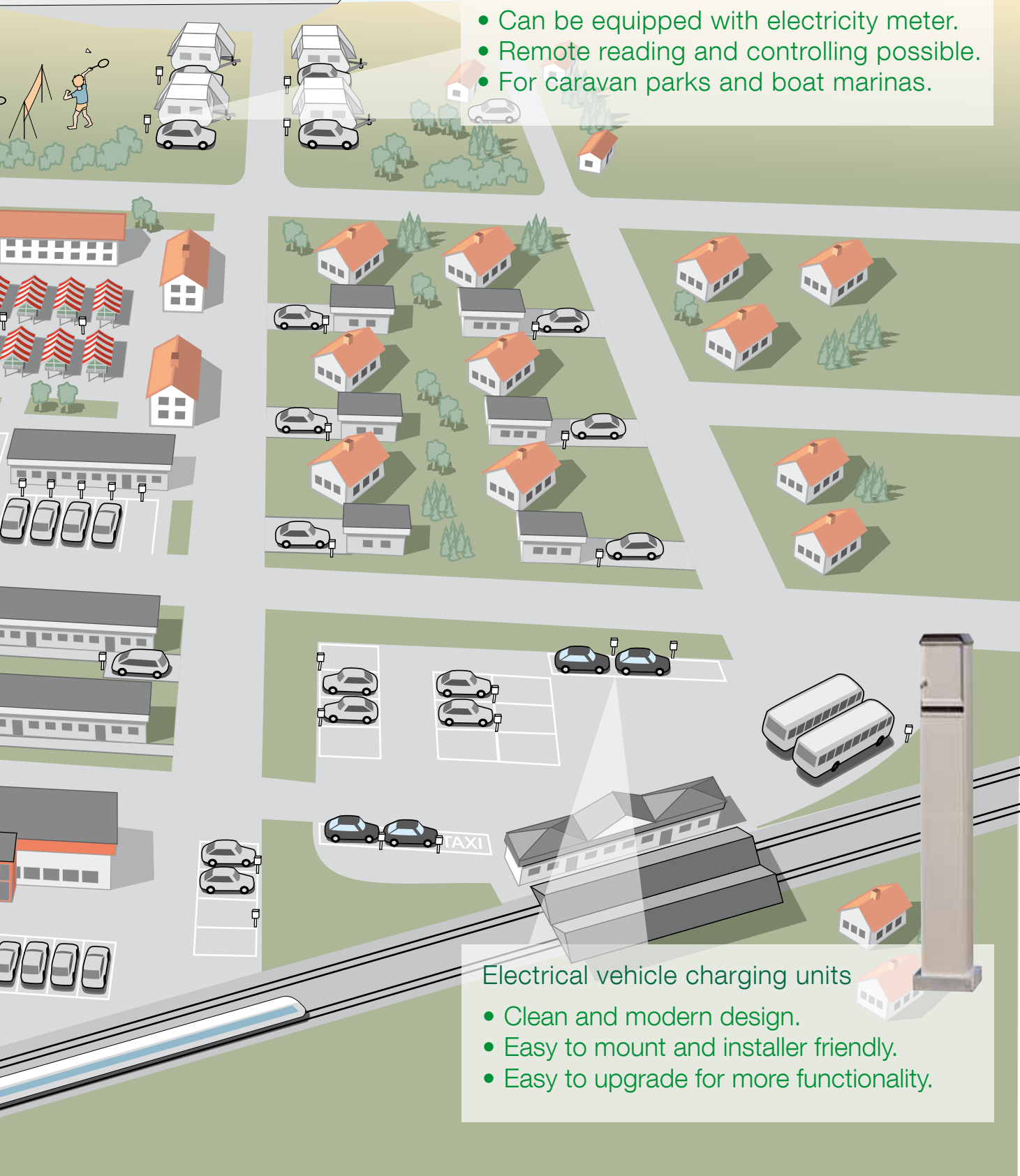
Service

- Single or 3 phase connection.
- Post or wall mounted.
- For trucks and busses parking lots.



Leisure

- Can be equipped with electricity meter.
- Remote reading and controlling possible.
- For caravan parks and boat marinas.



Electrical vehicle charging units

- Clean and modern design.
- Easy to mount and installer friendly.
- Easy to upgrade for more functionality.

Leisure

For caravan parks and boat marinas there are two sizes of boxes available. On top of the usual MCB and RCD, the units can also be equipped with an Electricity Meter that is verified and approved according to MID (Measuring Instruments Directive 2004/22/EC by the European Commission). The bigger box size also allows you to add other components e.g. remote reading and controlling.

General technical data

Standards: EN 60 439-1, -3
Voltage: 230/400V 50Hz
Current: 10A
Connection: 5 x (2x16) mm²
Weight: 5.4/5.6/5.8 kg
Protection class: IP44

Ordering info

Type	Order code	Outlets	Meter
CWB1C10K	2CMA177453R1000	2 x 216-6	-
CWB30E10K	2CMA177454R1000	2 x 216-6	2 x OD1365
CWFB2216EK	2CMA177455R1000	2 x 216-6	2 x OD1365

Accessories for all outlet boxes

	Type	Order code	Weight [kg]
Pole Ø108 mm	CWF108B	2CMA177269R1000	11.3
Post mount adapter	CWC1	2CMA177392R1000	0.7
Wall mount adapter	CWC4	2CMA177391R1000	0.7

Electrical vehicle charging units

ABB can now also offer charging units for home use, workplace locations and also flexible solutions for e.g. car parks and public parking lots where electric cars can be charged, for longer or shorter periods. The unit has a robust design with a built-in post, meaning that you can use the space for wiring and other electrical equipment, such as communication modules for paying systems. On DIN rail inside the unit, you can install up to 35 DIN rail modules. Charging units are delivered as complete units with mechanical lock.

General technical data

Standards: EN 60 439-1, -3
Voltage: 230/400V 50Hz
Current: 16A
Connection: 5 x 16 mm² Cu (in and out)
Height: 1.4 meter
Weight: 21 kg
Protection class: IP44

Ordering info

Type	Order code	Outlets	Meter
CWL10	2CMA177751R1000	2 x Schuko	-
CWL11	2CMA177752R1000	2 x Schuko	2 x OD1365
CWL12*	2CMA177753R1000	2 x Schuko	-

* Power on/off control



Contact us

ABB AB

Cewe-Control

Box 1005

SE-611 29 NYKÖPING, Sweden

Phone: +46 155 29 50 00

Fax: +46 155 28 81 10

www.abb.com/lowvoltage

© Copyright 2010 ABB. All rights reserved.
Specification subject to change without notice.

Brochure 2CMC812003D0006, Nov 2010 Rev. A, Prod ABB AB, Cewe-Control/XVI