

PRODUCT BROCHURE

# Kindorf® TPE cable insulator clamps

An alternative to porcelain or maple clamps



# Kindorf® TPE cable insulator clamps

## Lightweight and non-breakable



Kindorf® TPE cable insulator clamps offer a less expensive, lighter weight and non-breakable alternative to porcelain for cable support, and they won't rot like maple clamps. The one-piece thermoplastic elastomer (TPE) insulator is flame-retardant, UV-resistant and chemical-resistant. A tapered flange isolates and protects cable. Available sizes accommodate cables from  $\frac{3}{8}$ " to  $4\frac{1}{2}$ " O.D. and fit all Kindorf channels as well as all  $1\frac{1}{8}$ " channel systems.

- Ideal for commercial and industrial applications
- Thermoplastic elastomer (TPE) insulator
- Electro-galvanized finish steel clamp with Everdur™ nut and bolt
- Tapered flange isolates and protects cable
- Flame-retardant
- UV-resistant
- Exceptional chemical resistance
- Dielectric strength of 640 V per mil
- Sizes to hold cables  $\frac{3}{8}$ " to  $4\frac{1}{2}$ " O.D.
- Fits all channel sizes
- UL Listed

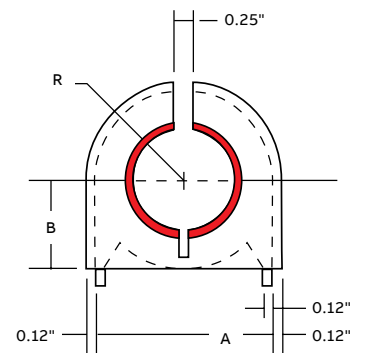
## Kindorf TPE cable insulator clamps

TPE cable insulator with electrogalv steel clamp and Everdur™ hardware



Cat. no.	Hole dia. (in.)	Clamp size (in.)	Dim. A (in.)	Dia. B&R (in.)	Total height (in.)	Std. pkg. qty.	UPC no.
C-755-1A TP	3/8	1 1/8	1.12	0.56	1.82	10	785991-04045
C-755-1B TP	1/2	1 1/8	1.12	0.56	1.82	10	785991-04046
C-755-1C TP	5/8	1 1/8	1.12	0.56	1.82	10	785991-04047
C-755-2 TP	3/4	1 1/8	1.62	0.81	2.34	10	785991-04048
C-755-2A TP	7/8	1 1/8	1.62	0.81	2.34	10	785991-04049
C-755-2B TP	1	1 1/8	1.62	0.81	2.34	10	785991-03900
C-755-2C TP	1 1/8	1 1/8	1.62	0.81	2.34	10	785991-03901
C-755-3 TP	1 1/4	2 1/8	2.12	1.06	2.86	10	785991-03910
C-755-3A TP	1 3/8	2 1/8	2.12	1.06	2.86	10	785991-04051
C-755-3B TP	1 1/2	2 1/8	2.12	1.06	2.86	10	785991-03911
C-755-3C TP	1 5/8	2 1/8	2.12	1.06	2.86	10	785991-04052
C-755-4 TP	1 3/4	2 5/8	2.62	1.31	3.5	10	785991-03912
C-755-4A TP	1 7/8	2 5/8	2.62	1.31	3.5	10	785991-04053
C-755-4B TP	2	2 5/8	2.62	1.31	3.5	10	785991-03913
C-755-4C TP	2 1/8	2 5/8	2.62	1.31	3.5	5	785991-04054
C-755-5 TP	2 1/4	3 1/8	3.12	1.56	4.05	5	785991-04055
C-755-5A TP	2 3/8	3 1/8	3.12	1.56	4.05	5	785991-04056
C-755-5B TP	2 1/2	3 1/8	3.12	1.56	4.05	5	785991-04057
C-755-5C TP	2 5/8	3 1/8	3.12	1.56	4.05	5	785991-04058
C-755-6 TP	2 3/4	3 3/8	3.62	1.81	4.75	5	785991-04059
C-755-6A TP	2 7/8	3 3/8	3.62	1.81	4.75	5	785991-04060
C-755-6B TP	3	3 3/8	3.62	1.81	4.75	5	785991-04061
C-755-6C TP	3 1/8	3 3/8	3.62	1.81	4.75	5	785991-04062
C-755-7 TP	3 1/4	4 1/8	4.12	2.06	5.125	5	785991-04063
C-755-7A TP	3 3/8	4 1/8	4.12	2.06	5.125	5	785991-04064
C-755-7B TP	3 1/2	4 1/8	4.12	2.06	5.125	5	785991-04065
C-755-7C TP	3 5/8	4 1/8	4.12	2.06	5.125	5	785991-04066
C-755-8 TP	3 3/4	4 3/8	4.62	2.31	5.54	5	785991-04067
C-755-8A TP	3 7/8	4 3/8	4.62	2.31	5.54	5	785991-04068
C-755-8B TP	4	4 3/8	4.62	2.31	5.54	5	785991-03571
C-755-8C TP	4 1/8	4 3/8	4.62	2.31	5.54	5	785991-04075
C-755-8D TP	4 1/4	5	5	2.5	5.92	5	785991-04076
C-755-8E TP	4 3/8	5	5	2.5	5.92	5	785991-04077
C-755-8F TP	4 1/2	5	5	2.5	5.92	5	785991-04078

Diagram





---

**ABB Inc.**

Electrification Products  
860 Ridge Lake Blvd.  
Memphis, TN 38120

Customer Service: 800-816-7809  
Technical Support: 888-862-3289

**[abb.com/lowvoltage](http://abb.com/lowvoltage)**