

# eOT Series Enclosed Disconnect Switches

Catalog number: eOT30\_, eOT60\_, eOT100\_

1SCC340020M0202

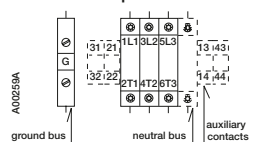
Document no. 34 EOT 30-100 M/S B

## Installation and maintenance instructions

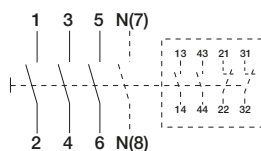
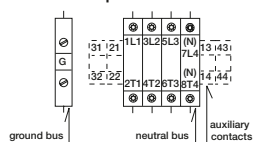
### Applications

The eOT series enclosed Disconnect Switches are rotary operated, 3 or 4 pole, 600V UL environmental ratings switches, housed in metallic enclosures. Available in UL environmental ratings Type 1, Type 3R & 12 with selector and pistol grip handles and in Type 4X with pistol grip handles. Products can be used as Disconnecting Means or on the load side of a branch circuit protective device and are suitable for use as motor disconnects.

eOT30-100 Non-Fused  
Disconnect up to 600 VAC 3ø

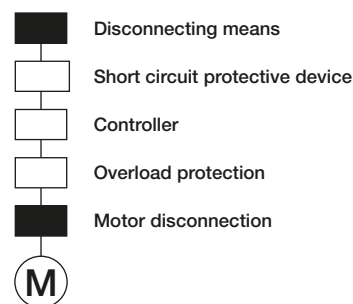


eOT30-100 Non-Fused  
Disconnect up to 600 VAC 3ø  
+ neutral pole



### WARNING

To avoid hazard of electric shock, turn off and lock out all power sources before installing or performing maintenance on this equipment.



### Ratings

P/N	AMPS	VAC	240V	480V	600V
eOT30_	30A	HP	10	20	30
eOT60_	60A	HP	20	40	40
eOT100_	100A	HP	30	50	50

### Wire connections

#### eOT30, eOT60

Switch wire range: #14-4 AWG, 60-75 °C, Cu only, solid or stranded

Torque: 55 lbs/in, use hexagon spanner 0,16 inch.

#### eOT 100

Switch wire range: #8-1/0 AWG, 60-75 °C, Cu only, solid or stranded

Torque: 55 lbs/in, use hexagon spanner 0,16 inch.

#### Auxiliary contacts, 10A, 600V, P600-R300

Switch wire range: #18-14 AWG, 60-75 °C, Cu only, solid or stranded

Torque: 7 lbs/in, use Pozi-drive #2 or flat blade screwdriver

### Optional Power Poles

#### eOT30, eOT60:

OTPS60FP 4th pole

OTPN60FP Solid neutral pole

#### eOT100:

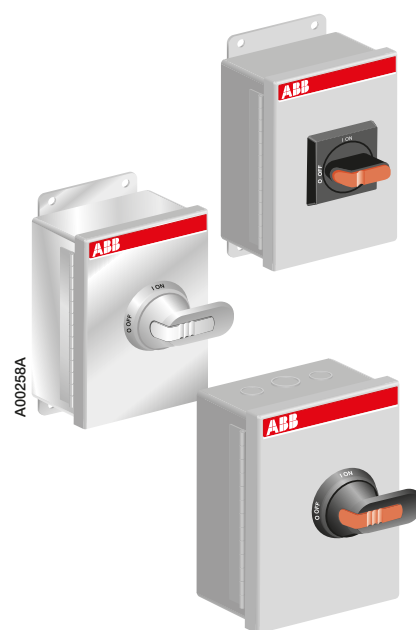
OTPS125FP 4th pole

OTPN125FP Solid neutral pole

### Optional Auxiliary contacts

OA1G10 (1 N.O.) Install on right side of switch. Max. 2 pcs on 3-pole switch, 1 pcs on 4-pole switch

OA1G01 (1 N.C.) Install on left side of switch. Max. 2 pcs.

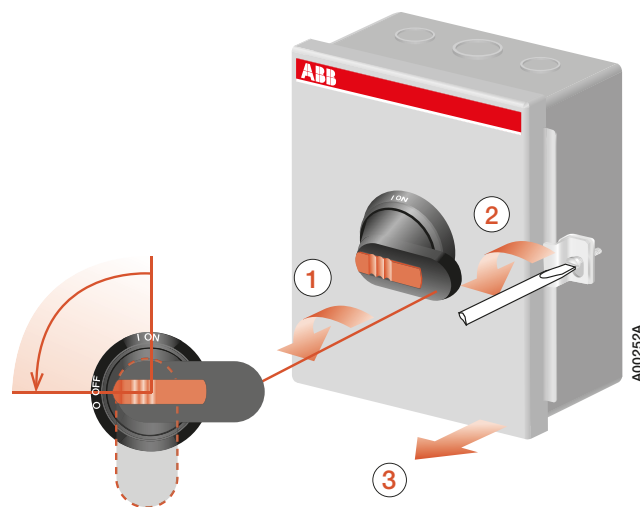


### Installation

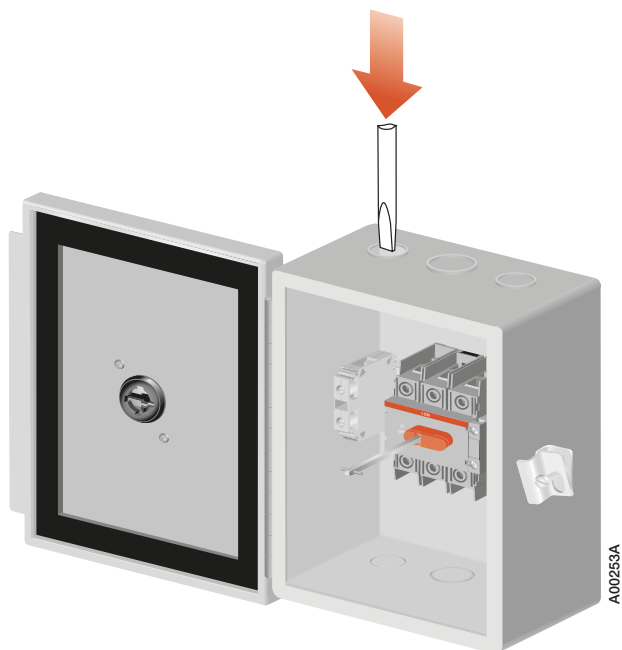
Operate switch to the OFF position and loosen the lock. Open the enclosure.

#### eOT30, eOT60 and eOT100

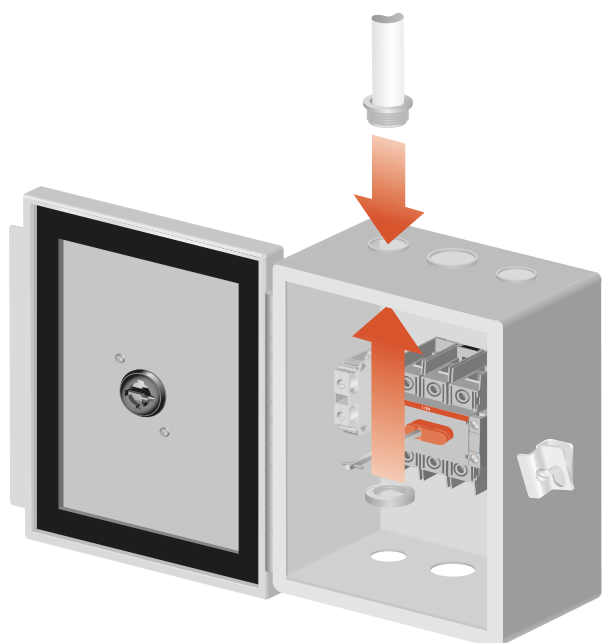
Two concentric 1/2" & 3/4" and one concentric 3/4" & 1" K.O.s are provided in the top and bottom of the enclosure of Type 1. Type 3R & 12 and Type 4X not equipped with K.O.s.



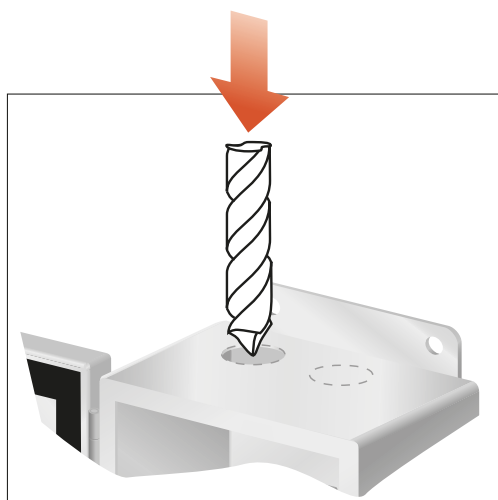
A00252A



A00253A



A00254A



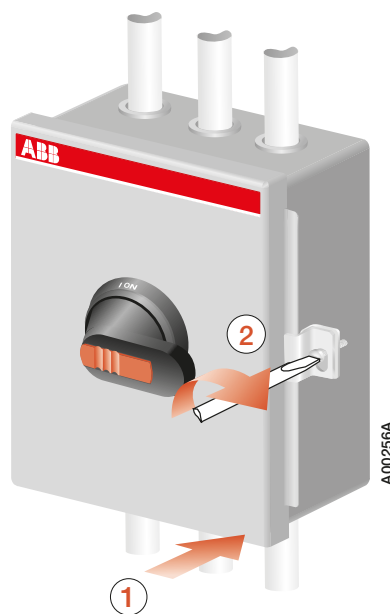
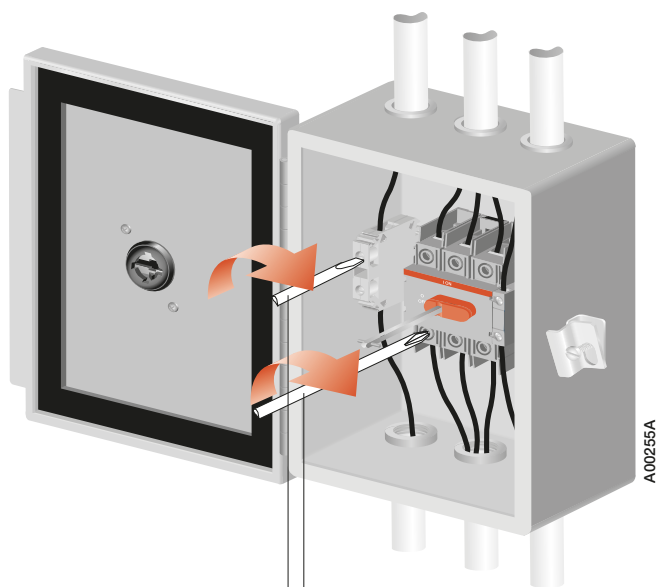
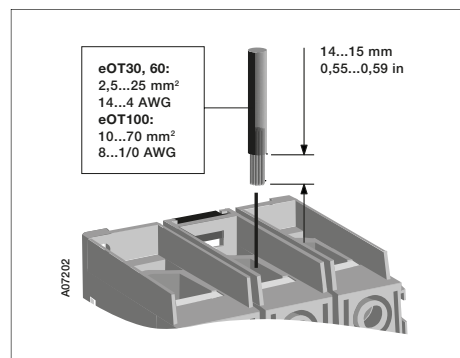
A00243A

Drill proper holes for conduit hubs or use K.O.s. Protect switch from drilling debris. Install conduit hubs. Install enclosure using (4) 1/4" or M6 screws.

## Wiring

Connect power wires to switch terminals and attach ground wire to the ground terminal block inside the enclosure. Reference the National Electric Code and all local codes for appropriate wire size and grounding requirements.

Close the enclosure door, note that both the switch and the operating handle on the door must be in the OFF-position. Tighten the lock's screw.

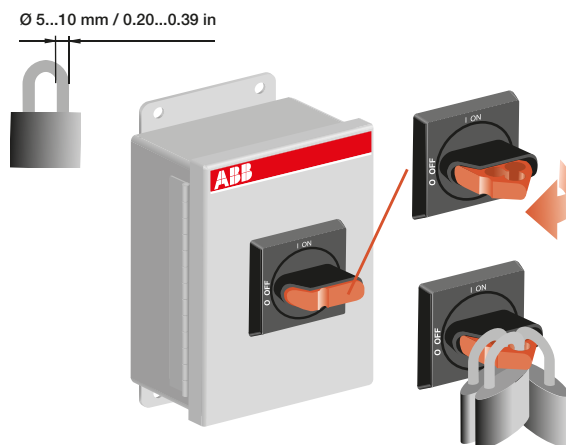
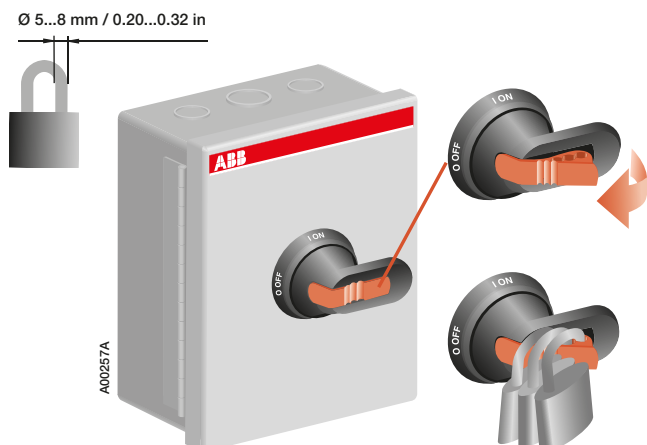


Ground terminal block:  
Torque 7 lbs/in

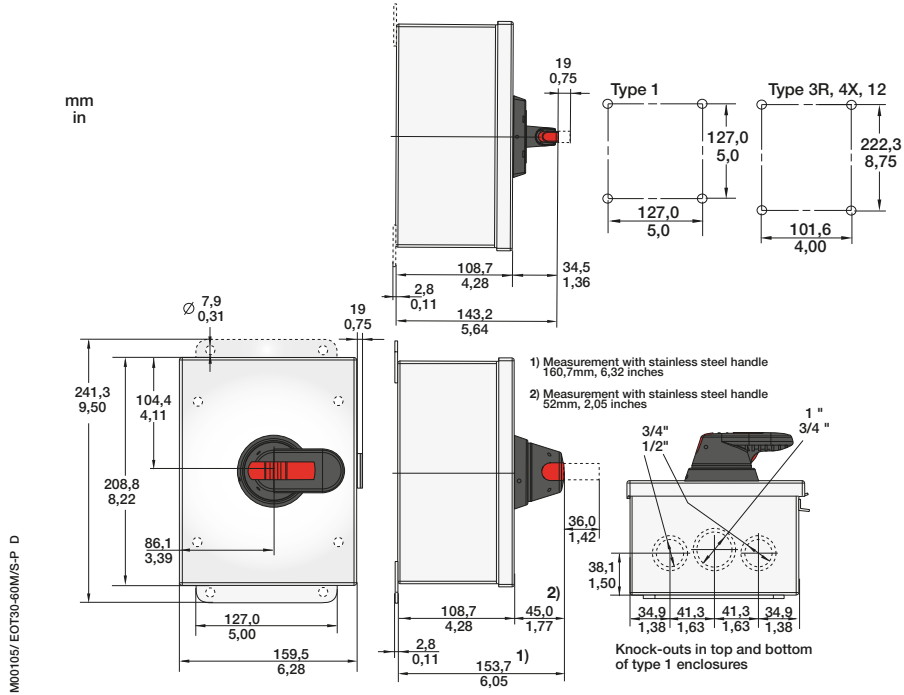
eOT30, eOT60, eOT100: Torque 55 lbs/in  
Hexagon spanner: 0,16 inch  
Auxiliary contacts: Torque 7 lbs/in  
Pozi-drive #2 or flat blade screwdriver

## Operating handle

Operating handle may be padlocked in the OFF-position with up to three padlocks. When locked, the enclosure door is interlocked and can not be opened. All padlocks must be removed to gain entry to the enclosure.



eOT30U3\_, eOT60U3\_



eOT30U4\_, eOT60U4\_, eOT100\_

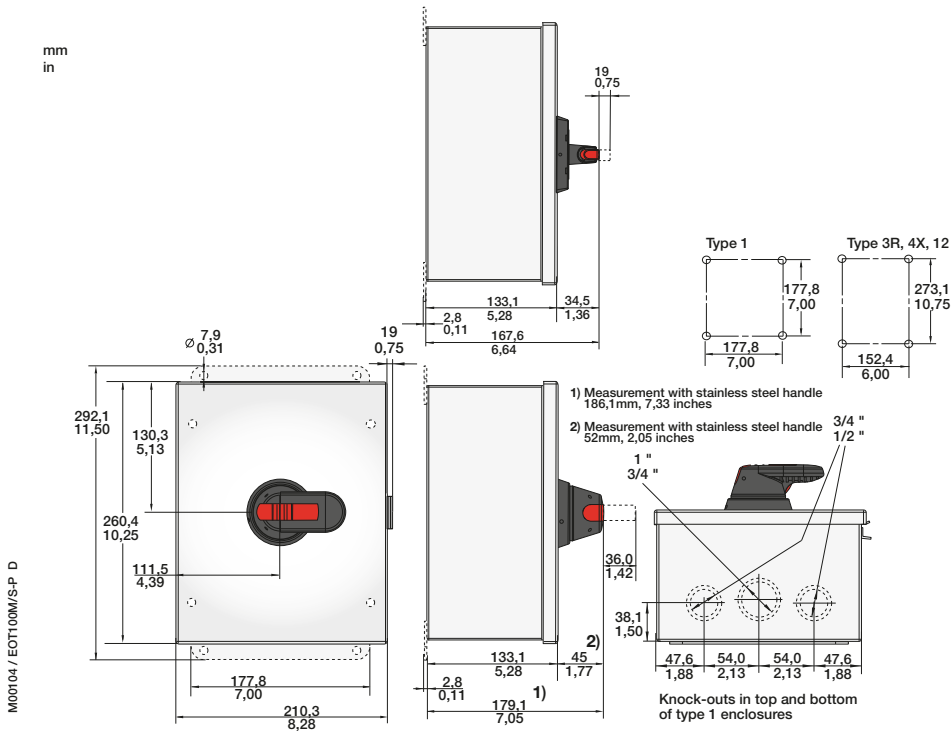


ABB Inc. / USA

16250 W. Glendale Drive  
New Berlin, WI 53151

www.abb.com/us

ABB Inc. / CANADA

2117, 32nd Avenue  
Lachine, QC H8T 3J1

www.abb.com/ca

