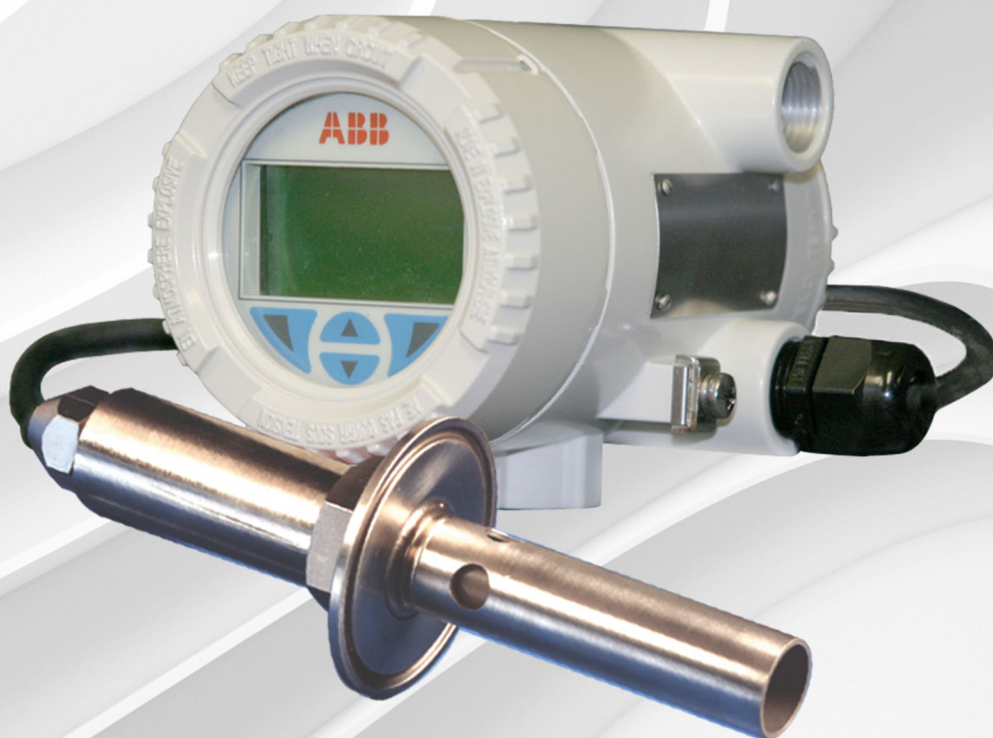


ABB MEASUREMENT & ANALYTICS | DATA SHEET

# Endura ACA592

## Conductivity transmitter



---

## Measurement made easy

Rugged design transmitter for industrial applications

### Transmitter options for all sensor types

- 2-electrode sensors for low conductivity measurement
- 4-electrode sensors for wide range conductivity applications and slurries
- Toroidal conductivity for corrosive and heavy coating applications

### Unique 24 V DC 2-wire transmitter

- dual compartment design
- tropicalized circuit boards
- coated aluminum options
- IP 66 / 67, NEMA 4X Enclosure

### Through-the-glass (TTG) programming configuration

- no exposed internal circuitry
- reduces downtime in hazardous areas

### Easy and flexible installation

- intrinsically safe
- non-incendive
- dust-ignition proof
- flameproof
- explosion-proof

### Output options

- 4 to 20 mA with HART signal

### Continuous sensor and self-monitoring

- electronics self-check
- advanced sensor diagnostics

### Configuration

- easy-to-configure menus
- FDT / DTM, EDD HART programming

## The Endura family of products

ABB’s Endura family of analytical transmitters are designed for the requirements of industrial customers. These 2-wire 24 V DC instruments are used in measurement and control applications in a broad range of industries including chemical, pulp & paper, mining, and petroleum refining.

### Sensor compatibility

The ACA592 transmitter is fully compatible with ABB’s full range of conductivity sensors. 2-electrode, 4-electrode and toroidal conductivity transmitter options allow users to measure conductivity in applications from clean water to harsh chemicals.

The ACA592 has automatic temperature sensor recognition for both 2- and 3-wire RTD inputs for common inputs such as Pt100, Pt1000, and 3k Balco.

### Rugged, yet familiar design

All ABB electronics are based around a common design platform. The programming structure of the menus is similar from product to product. This means that operators spend less time learning how to work with a new product. The menu structure is based on a simple, mobile-phone style programming format.

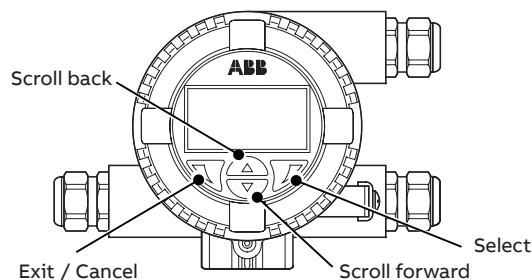


Figure 1 Navigation keys

The ACA592 is supplied as standard with a durable, powdercoat epoxy, aluminum housing suitable for corrosive environments. All programming can be done through the window display on the front of the transmitter. This means that internal circuitry is never exposed to the atmosphere. This feature is especially critical in hazardous areas as the transmitter does not need to be isolated from the ignition source. As added protection, each circuit board is conformal coated to prevent corrosion should humidity ever enter the transmitter enclosure.

## Transmitter selection

Selection of an Endura 2-electrode, 4-electrode or toroidal conductivity transmitter and related sensor should be based on the requirements of the application.

Model	Sensor type	Cell constant or group	Suggested measurement range	Suggested applications
ACA592-TE	2-electrode	0.01	0 to 5 $\mu\text{S}/\text{cm}$	Ultrapure water
		0.1	5 to 500 $\mu\text{S}/\text{cm}$	Boiler water
		1.00	500 to 2000 $\mu\text{S}/\text{cm}$	Potable water
ACA592-EC	4-electrode	Group A	5 $\mu\text{S}$ to 1000 $\text{mS}/\text{cm}$	Pulp stock, river water
		Group B	20 to 1000 $\mu\text{S}/\text{cm}$	Fouled condensate
ACA592-TC	Toroidal electrode-less		1000 $\mu\text{S}/\text{cm}$ to 2000 to $\text{mS}/\text{cm}$	Corrosive liquids Chemical concentration Applications that coat traditional sensors

## Concentration measurement

For users that use conductivity to infer liquid concentration, ABB provides pre-installed concentration curves for many common chemicals as well as a user-defined curve for customers to input their own conductivity vs. concentration curve.

### Concentration measurement options / range

- 0 to 15 % NaOH
- 0 to 20 % NaCl
- 0 to 18 % HCl
- 0 to 20 % H<sub>2</sub>SO<sub>4</sub>
- User-defined

### Diagnostics (NE107 based)

The ACA592 transmitter has continuous self monitoring of the electronics, input power, and sensor characteristics to ensure a reliable, accurate measurement. Operating diagnostic faults can be read through the operator screen on the LCD display.

### Sensor diagnostics include the following:

- Dirty sensor alarm
- Ground loops present or shorted sensor cable (damaged sensor cable)
- Open sensor cable
- Temperature over / under range (short- or open-circuited temperature sensor)

Diagnostics availability is dependent on the transmitter model.

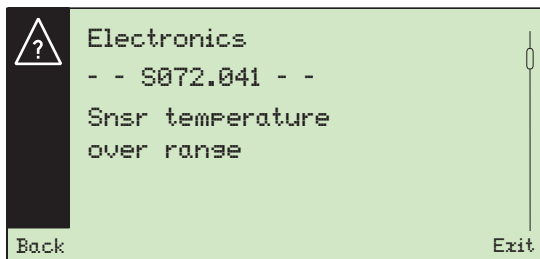


Figure 2 Example diagnostic message

## Communications

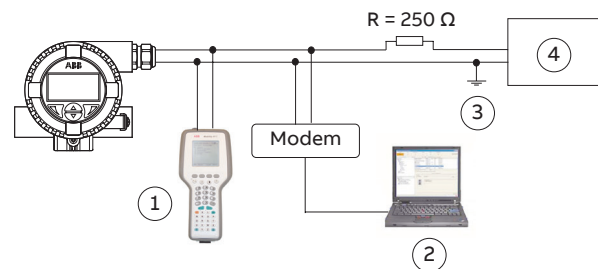
### HART

Standard digital HART Version 5.9 provides communication with any HART primary or secondary device. The HART signal is superimposed on the standard 4 to 20 mA current output.

Error messages can also be sent over the HART digital signal for monitoring in the DCS control system. If simultaneous faults have occurred, the ACA592 can display them in order of severity.

Hart programming can be done through DTM software or with conventional EDD. The latest version of the HART software can be downloaded from:

[www.abb.com/analytical-instruments](http://www.abb.com/analytical-instruments)



- ① DHH801, FC475
- ② FDT / DTM technology or EDD technology
- ③ Ground connection (optional)
- ④ ABB Asset Vision Professional or DCS config.

Figure 3 HART communications

## Technical data

### Input

#### Sensor types

- ACA592-TE: ABB 2-electrode sensors
- ACA592-EC: ABB 4-electrode sensors
- ACA592-TC: ABB toroidal sensors

#### Measurement range and resolution

ACA592-TE (2-electrode conductivity transmitter):

Cell constant	Measurement range	Resolution / Accuracy Linearity / Stability
0.01	0 to 200 $\mu\text{S/cm}$	0.001 $\mu\text{S/cm}$
0.1	0 to 2000 $\mu\text{S/cm}$	0.01 $\mu\text{S/cm}$
1	0 to 20000 $\mu\text{S/cm}$	0.1 $\mu\text{S/cm}$

ACA592-EC (4-electrode conductivity transmitter):

Sensor group	Measurement range	Resolution / Accuracy Linearity / Stability
Group A	0 to 2000 $\text{mS/cm}$	0.1 $\mu\text{S/cm}$
Group B	0 to 2000 $\mu\text{S/cm}$	0.01 $\mu\text{S/cm}$

ACA592-TC (toroidal conductivity transmitter):

Sensor	Measurement range	Resolution / Accuracy Linearity / Stability
ABB toroidal	0 to 2000 $\text{mS/cm}$	1.0 $\mu\text{S/cm}$

### Temperature

#### Temperature compensation

Temperature element	ACA592-TE	ACA592-EC	ACA592-TC
Pt100	✓	✓	✓
Pt1000	✓	✓	✓
3k Balco		✓	

#### Input range

-20 to 200 °C (-4 to 392 °F)

#### Accuracy / Stability

$\pm 0.1$  °C (0.18 °F) after calibration

#### Temperature compensation modes

Measured liquid – ACA592-EC and ACA592-TC:

- 0 to 15 % NaOH
- 0 to 20 % NaCl
- 0 to 18 % HCl
- 0 to 20 % H<sub>2</sub>SO<sub>4</sub>
- User-defined

Measured liquid – ACA592-TE:

- Pure H<sub>2</sub>O neutral salt
- Pure H<sub>2</sub>O trace base
- Pure H<sub>2</sub>O trace acid
- User-defined

#### Dynamic response

<3 Seconds for 90 % step change at  
0.00 seconds dampening

### Output

#### Signal

Configurable:

- 4 to 20 mA (standard with HART)
- User-programmable linear and non-linear across entire range.

Dynamic range:

- 3.9 to 20.75 mA  
(3.8 mA = low alarm level, 21.5 mA = high alarm level)

#### Minimum span

Sensor type	ACA592-TE	ACA592-EC	ACA592-TC
0.01 Cell	1 $\mu\text{S/cm}$		
0.10 Cell	10 $\mu\text{S/cm}$		
1.00 Cell	100 $\mu\text{S/cm}$		
Group A		100 $\mu\text{S/cm}$	
Group B		10 $\mu\text{S/cm}$	
Toroidal			100 $\mu\text{S/cm}$

#### Maximum span

Sensor type	ACA592-TE	ACA592-EC	ACA592-TC
0.01 Cell	200 $\mu\text{S/cm}$		
0.10 Cell	20000 $\mu\text{S/cm}$		
1.00 Cell	20 $\text{mS/cm}$		
Group A		2000 $\text{mS/cm}$	
Group B		2000 $\mu\text{S/cm}$	
Toroidal			2000 $\text{mS/cm}$

#### Damping

Adjustable 0.0 to 99 seconds

## ...Technical data

### Power supply (polarity safe)

#### Supply voltage

$U_s = 12$  to  $42$  V DC (General purpose installations)

$U_s = 12$  to  $30$  V DC (Intrinsically Safe Ex ia)

#### Maximum permissible ripple

Maximum ripple for supply voltage during communication in accordance with HART FSK physical layer specification, version 8.1 (08/1999) section 8.1

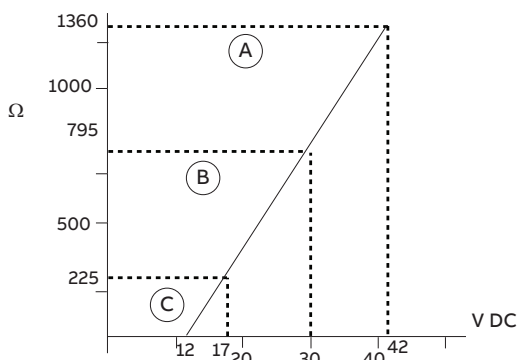
#### Under-voltage protection

$U_{\text{Terminal-Mu}} < 12$  V results in  $I_a = 3.8$  mA

#### Maximum load

$R_{\text{load}} = (\text{supply voltage} - 12 \text{ V}) / 22 \text{ mA}$

Max. load  $\Omega$  depending on supply voltage (V DC)



(A) ACA592 transmitter

(B) ACA592 in Ex ia design

(C) HART communication – resistor

Figure 4 Maximum load

### General information

#### Display update speed

< 250 ms

#### Environmental (temperature)

- Operating:  $-20$  to  $60$  °C ( $-4$  to  $140$  °F)
- Storage:  $-40$  to  $80$  °C ( $-40$  to  $176$  °F)

#### Humidity

< 95 % RH non-condensing

#### Enclosure protection

Aluminum, die cast, chromized inside / outside,  $70 \mu\text{m}$  epoxy powdercoat (aluminum, magnesium content < 6 %, copper-free < 0.5 %)

#### Weight

1.3 kg (3 lb.)

#### Cable gland protection

- IP66 and 67 for plastic glands supplied with general purpose / intrinsically safe instruments
- IP67 for stainless glands required for Ex d explosion-proof instruments

#### EMC and RF interference

Emitted electromagnetic interference in accordance with EN61326-1 for Class A and Class B equipment

#### Galvanic isolation

900 V DC for 1 second  
(insulation test voltage)

## Equipment markings

### Intrinsic safety – FM and CSA

- FM Class I, Div. 1, Groups A, B, C, D  
Class II/III, Div. 1, Group E, F, G; T4 Ta = 60 °C
- CSA Class I, Div. 1, Groups A, B, C, D  
Class II, Div. 1, Groups E, F, G  
Class III, Div. 1; T4

### Intrinsic safety – ATEX / IECEx

Approved for:

- II 1G Ex ia IIC T4
- II 1D Ex iaD A20 IP66 T135 °C,  $-20\text{ °C} \leq T_{amb} \leq 60\text{ °C}$

### Intrinsically safe and Ex ia IIC hazardous area

Parameter	Supply circuit
Maximum voltage	Ui = 30 V
Maximum input current	Ii = 160 mA
Maximum power	Pi = 0,8 W
Internal inductance	Li = 0,5 mH
Internal capacitance	Ci = 5 nF

### Type n (non-sparking) – ATEX / IECEx

Approved for:

- II 3 G Ex nA IIC; T4
- II 3 D Ex tD A22 IP66 T135 °C,  $-20\text{ °C} \leq T_{amb} \leq 60\text{ °C}$

### Non-incendive – FM\* and CSA

- FM Class I, Div. 2, Groups A, B, C, D  
Class II/III, Div. 2, Group F, G; T4 Ta = 60 °C
- CSA Class I, Div. 2, Groups A,B,C,D  
Class II, Div. 2, Groups F, G  
Class III, Div. 2; T4

### Explosion-proof, ignition-proof – FM and CSA

- FM XP, Class I, Div. 1, Groups A,B,C,D  
Class II/III, Div. 1, Group E, F, G; T4 Ta = 60 °C
- CSA Class I, Div. 1, Groups A,B,C,D  
Class II, Div. 1, Groups E, F, G  
Class III, Div. 1; T4

### Flameproof and dust protection – ATEX / IECEx

Approved for:

- II 2 G Ex d IIC T4
- II 2 D Ex tD A21 IP66 T135 °C,  $-20\text{ °C} \leq T_{amb} \leq 60\text{ °C}$

### Agency enclosure ratings

- IP66 and IP67
- NEMA 4X

## Approvals

### CE mark

The ACA592 including type B LCD display / configuration software meets all requirements for the CE mark in accordance with the applicable directives 2004/108/EC (EMC), 2006/95/EC (LVD) and 94/9/EC (ATEX).

### Ex ia (Zone 0)

LCIE 11 ATEX 3058 X  
IECEX LCI 11.0050X

### Ex d (Zone 1)

LCIE 11 ATEX 3057 X  
IECEX LCI 11.0049X

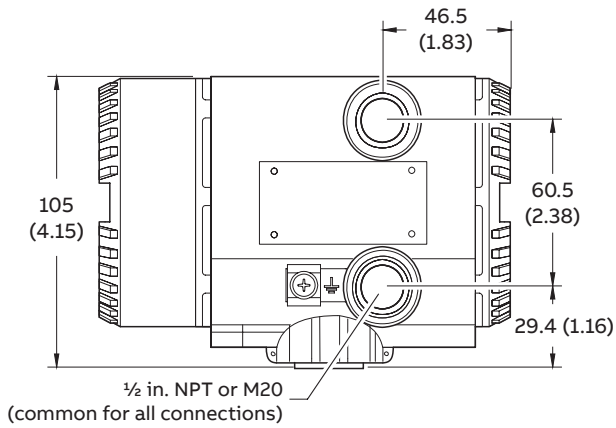
### Ex nA (Zone 2)

LCIE 11 ATEX 1005 X  
IECEX LCI 11.0048X

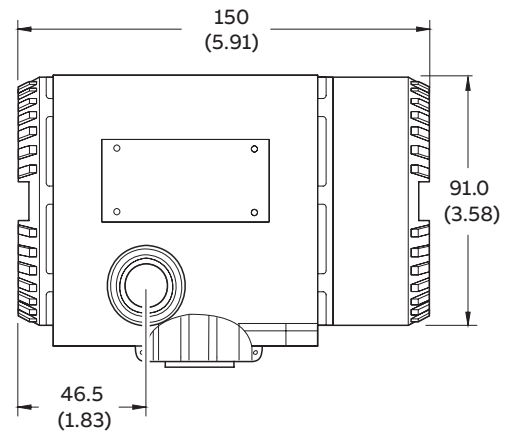
\* When installed in accordance with the installation drawing P0909, refer to the User Guide ([OI/ACA592/EC-EN](#), / [OI/ACA592/TE-EN](#) or [OI/ACA592/TC-EN](#)) Appendix B.

## ACA592 Transmitter dimensions

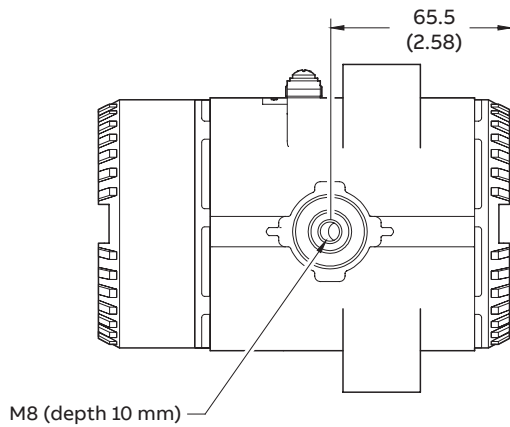
Dimensions in mm (inches)



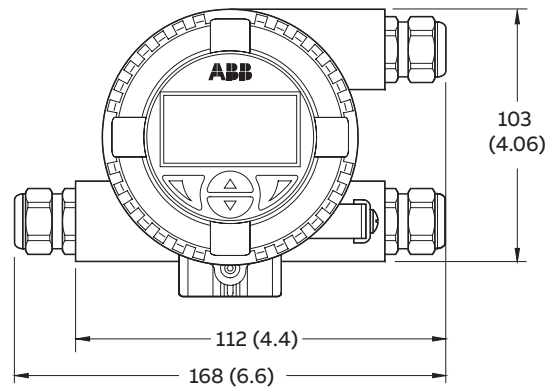
(A)



(B)



(C)



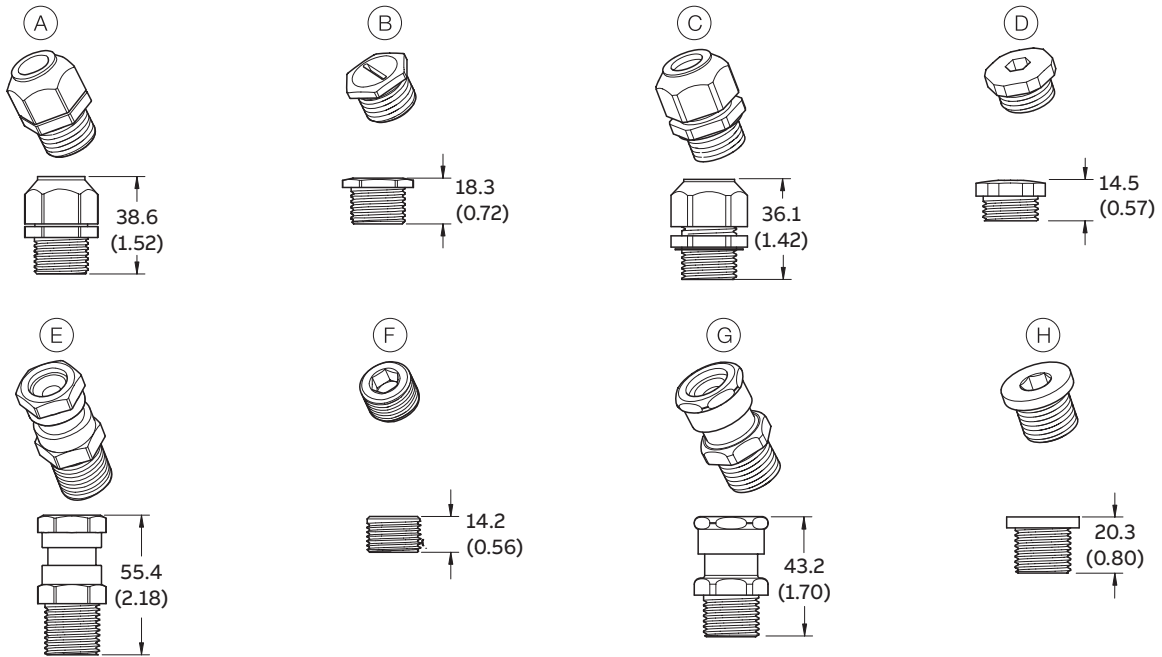
(D)

- (A) Housing, left side view (display installation facing left) without cable glands (conduit threads NPT 1/2 in. or M20)
- (B) Housing, right side view (display installation facing right) without cable glands (conduit threads NPT 1/2 in. or M20)
- (C) Housing, bottom view (fastening screw thread M8 (depth 10 mm))
- (D) Housing, front view



## Fitting dimensions

Dimensions in mm (in.)



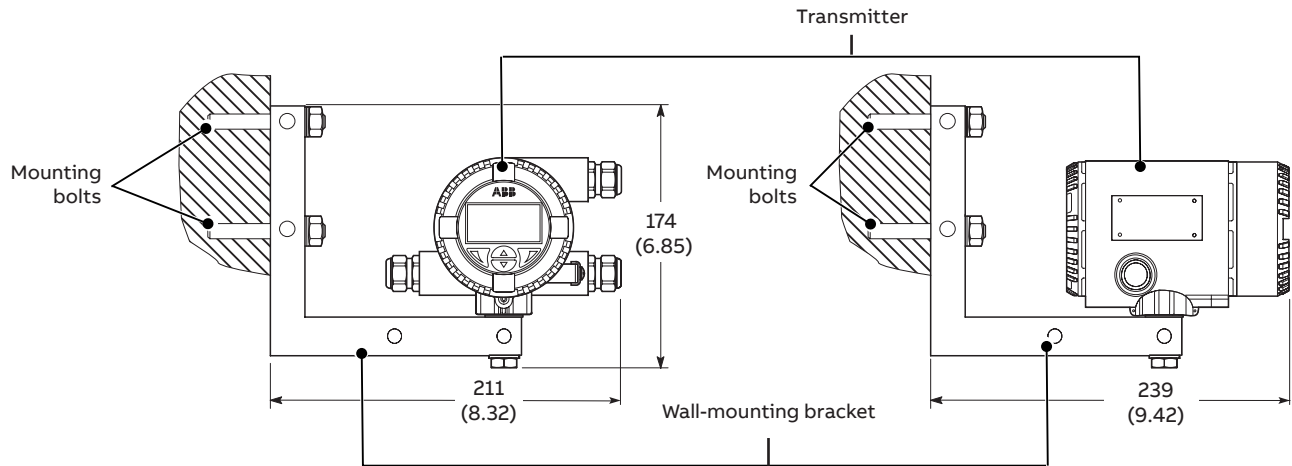
- (A) 1/2 in. NPT nylon cable gland (supplied for all non-explosion-proof housing versions)
- (B) 1/2 in. NPT nylon conduit plug (supplied for all non-explosion-proof housing versions)
- (C) M20 nylon cable gland (supplied for all non-explosion-proof housing versions)
- (D) M20 nylon conduit plug (supplied for all non-explosion-proof housing versions)
- (E) 1/2 in. NPT 316 stainless steel Ex d (explosion-proof) cable gland  
(not included, must be ordered separately if user installations require it)
- (F) 1/2 in. NPT 316 stainless steel conduit plug (supplied when any Ex d options are ordered)
- (G) M20 316 stainless steel Ex d (explosion-proof) cable gland  
(not included, must be ordered separately if user installations require it)
- (H) M20 316 stainless steel Ex d (explosion-proof) conduit plug (supplied when any Ex d options are ordered)

## Mounting and dimensions

The wall and pipe installation set supports variable installation positions. Examples of some of the mounting options are shown below. The transmitter mounting screw allows infinitely adjustable positioning (0° to 360°) of the transmitter.

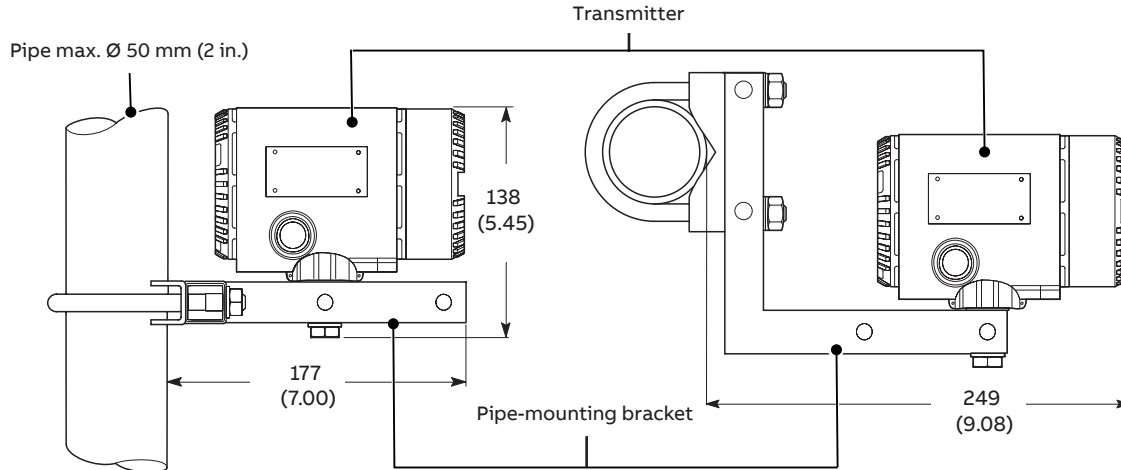
### Wall-mounted installation

Dimensions in mm (in.)



### Pipe-mounted installation

Dimensions in mm (in.)



## Ordering information

Endura transmitter series	ACA592-	XX	XX	X	X	X	Code
<b>Input</b>							
Conductivity 4-electrode		EC					
Conductivity 2-electrode		TE					
Conductivity toroidal		TC					
<b>Explosion protection certification</b>							
Without			Y0				
FM (Factory Mutual) – intrinsic safety			F1				
FM (Factory Mutual) – explosion-proof (requires Exd gland not included)			F2				
FM (Factory Mutual) – non-incendive			F3				
CSA (Canadian Standards Association) – intrinsic safety			C1				
CSA (Canadian Standards Association) – explosion-proof (requires Exd gland not included)			C2				
CSA (Canadian Standards Association) – non-incendive			C3				
ATEX / IECEx – intrinsic safety			A1				
ATEX / IECEx – flameproof (requires Exd gland not included)			A2				
ATEX / IECEx – type n (non-sparking)			A3				
<b>Housing</b>							
Powder coated aluminum						A	
<b>Cable conduits</b>							
M20 x 1.5							1
NPT ½ in.							2
<b>Output signal</b>							
HART digital communication and 4 to 20 mA							H
<b>Additional ordering information</b>							
<b>Mounting hardware</b>							
None							B0
Pipe or wall							B2
<b>Identification tags</b>							
None							T0
Stainless steel							T1
Mylar							T2
<b>Documentation language</b>							
German							M1
Italian							M2
Spanish							M3
French							M4
English (default)							M5
Portuguese							M6

### Accessories (order separately)

½ in. NPT nylon cable gland (one each) – IS	4TB9515-0285
½ in. NPT nylon conduit plug (one each) – IS	4TB9515-0286
M20 nylon cable gland (one each) – IS/NI	4TB9515-0287
M20 nylon conduit plug (one each) – IS/NI	4TB9515-0288
½ in. NPT 316 stainless steel Ex d (explosion-proof) cable gland (one each)	4TB9515-0289
½ in. NPT 316 stainless steel Ex d (explosion-proof) conduit plug (one each)	4TB9515-0290
M20 316 stainless steel Ex d (explosion-proof) cable gland (one each)	4TB9515-0291
M20 316 stainless steel Ex d (explosion-proof) conduit plug (one each)	4TB9515-0292
Spare wall- and pipe-mount kit	4TB9515-0283

## Acknowledgements

HART is a registered trademark of the HART Communication Foundation.

Sales



Service



Software



---

**ABB Limited**

**Measurement & Analytics**

Oldends Lane, Stonehouse  
Gloucestershire, GL10 3TA  
UK

Tel: +44 (0)1453 826 661

Fax: +44 (0)1453 829 671

**ABB Inc.**

**Measurement & Analytics**

125 E. County Line Road  
Warminster, PA 18974

USA

Tel: +1 215 674 6000

Fax: +1 215 674 7183

**[abb.com/measurement](http://abb.com/measurement)**

---

We reserve the right to make technical changes or modify the contents of this document without prior notice. With regard to purchase orders, the agreed particulars shall prevail. ABB does not accept any responsibility whatsoever for potential errors or possible lack of information in this document.

We reserve all rights in this document and in the subject matter and illustrations contained therein. Any reproduction, disclosure to third parties or utilization of its contents – in whole or in parts – is forbidden without prior written consent of ABB.