

---

FUNCTIONAL OVERVIEW

# MultiScreen Holder




---

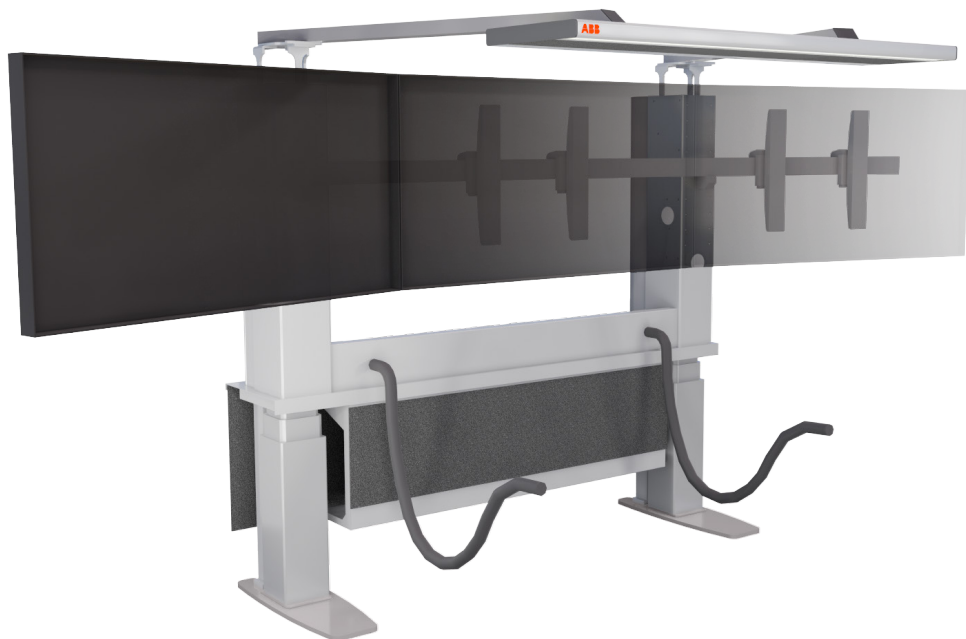
## A flexible and ergonomic large screen solution

The MultiScreen Holder offers an ergonomic solution for complementary large monitors in the control room environment.

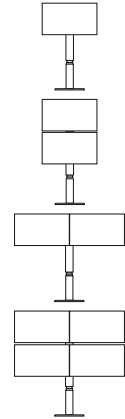
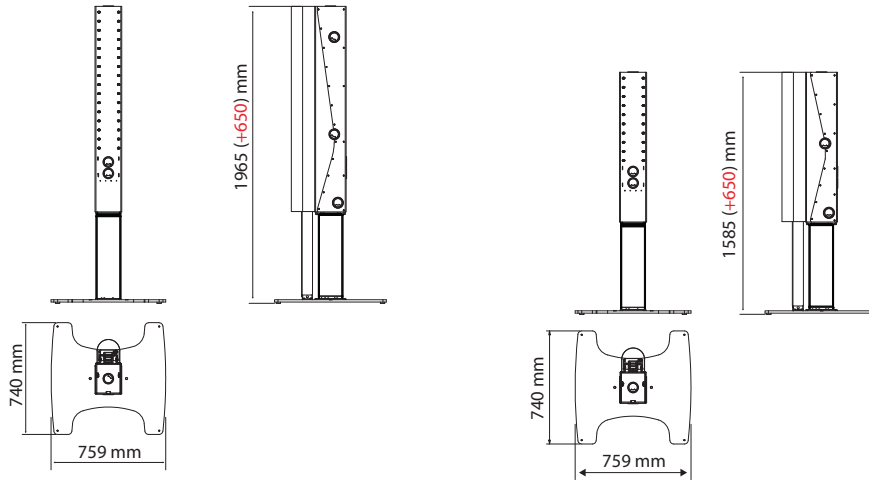
- Optional DSLX lighting module
- Power: 115 - 230 V, 50 - 60 Hz / 340 VA
- Adjustable VESA monitor mounts
- Integrated with other ABB control room solutions products
- Available in 2 different heights and with two and one pillar versions.

---

The larger 3x1 monitored Multiscreen Holder pictured above is equipped with the optional DSLX lighting module.

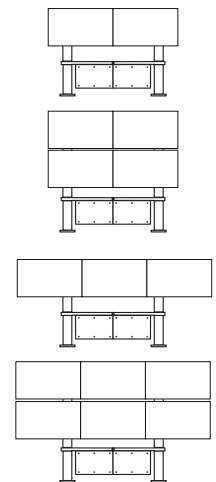
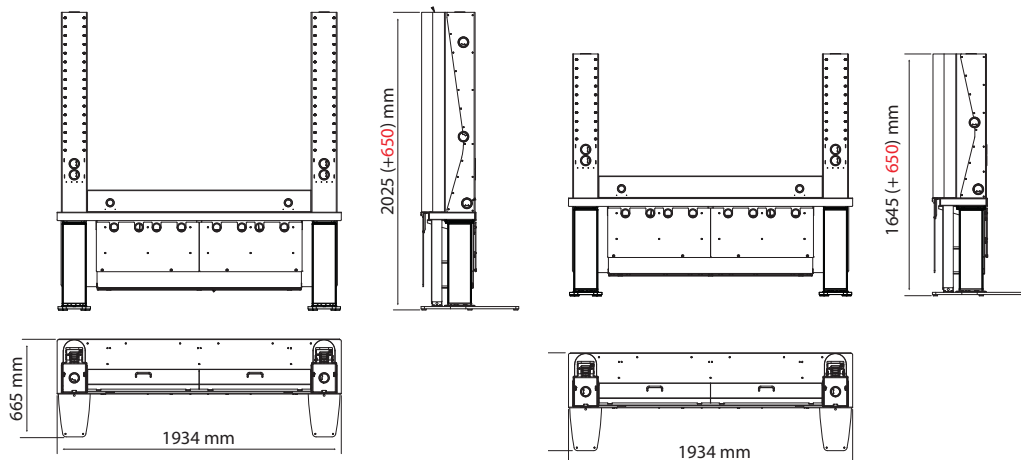


## One pillar



One pillar MultiScreen Holder standard screen configuration.

## Two pillars



Two pillar MultiScreen Holder standard screen configuration.

Each MultiScreen Holder supports up to six 60-inch screens. For custom screen setups, contact your local ABB salesperson.