
For machine or wall mounting

Main applications

Control of stand alone motors like for heat pumps, air conditioning units, small machine tools, compressors, pumping, irrigation...



Contact us

ABB France
Low Voltage Products Division
2, rue d'Arsonval
69680 Chassieu / France

ABB STOTZ-KONTAKT GmbH
Eppelheimer Straße 82
D-69123 Heidelberg / Germany



www.abb.com/lowvoltage

DRAF enclosed direct-on-line starters



1SBC100198L0201 - Rev A (05.2020 PDF)

DRAF enclosed DOL starters

Experience reliable and easy to install motor starting



Improve installation efficiency

- Easy to connect and to operate
- Pre-wired control circuit and easy to follow wiring instructions
- Coil energy consumption down by 80%.



Reliable in harsh condition

- High number of electrical and mechanical operations
- Robust IP66 and type 4X enclosure
- Double electrical insulation.



Continuous operation

- AF contactors manage voltage fluctuation, chattering free
- Protected motor with thermal overload relay
- Safety through coordinated product.

4 cable entries

AF 3-pole contactor with holding contact

"I" ON button

Start contact block

1 PE and 1 neutral terminal

TF42 thermal overload relay

"O" OFF/RESET button

DRAF enclosed direct-on-line starters

IEC - AC-3				Rated control circuit voltage Uc min... Uc max.	Type	Order code
Rated operational power						
220 V	380 V	500 V	max. current $\theta \leq 40^\circ\text{C}$ Ue=400 V			
230 V	400 V					
240 V						
kW	kW	kW	A	V 50/60 Hz		
2.2	4	5.5	9	24...60	DRAF09-11S	1SBK134237R1100
				100...250	DRAF09-13N	1SBK134137R1300
				250...500	DRAF09-14P	1SBK134037R1400
3	5.5	7.5	12	24...60	DRAF12-11S	1SBK154237R1100
				100...250	DRAF12-13N	1SBK154137R1300
				250...500	DRAF12-14P	1SBK154037R1400
4	7.5	9	18	24...60	DRAF16-11S	1SBK174237R1100
				100...250	DRAF16-13N	1SBK174137R1300
				250...500	DRAF16-14P	1SBK174037R1400

Weight: 0.820 kg / pce.



UL version available, please consult us.

TF42 thermal overload relays (to be ordered separately)

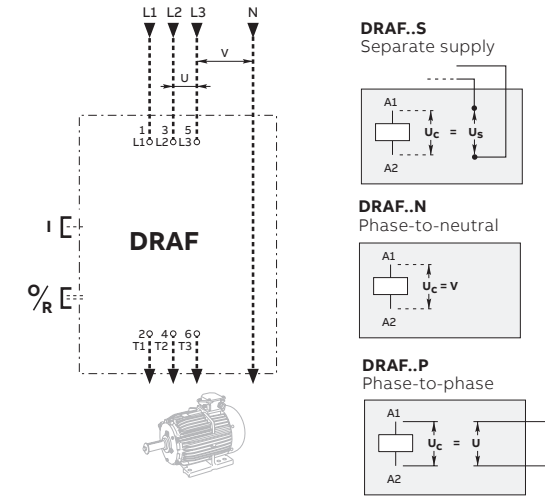
Trip class 10

Setting range	Short-circuit protective device	Type	Order code	Weight (1 pce)
A				kg
Fuse type T				
0.10...0.13	0.5 A	TF42-0.13	1SAZ721201R1005	0.130
0.13...0.17	1.0 A	TF42-0.17	1SAZ721201R1008	0.130
0.17...0.23		TF42-0.23	1SAZ721201R1009	0.130
0.23...0.31		TF42-0.31	1SAZ721201R1013	0.130
Fuse type gG				
0.31...0.41	2.0 A	TF42-0.41	1SAZ721201R1014	0.130
0.41...0.55		TF42-0.55	1SAZ721201R1017	0.130
0.55...0.74	4.0 A	TF42-0.74	1SAZ721201R1021	0.130
0.74...1.00	6.0 A	TF42-1.0	1SAZ721201R1023	0.130
1.00...1.30		TF42-1.3	1SAZ721201R1025	0.130
1.30...1.70	10.0 A	TF42-1.7	1SAZ721201R1028	0.130
1.70...2.30		TF42-2.3	1SAZ721201R1031	0.130
2.30...3.10		TF42-3.1	1SAZ721201R1033	0.130
3.10...4.20	20.0 A	TF42-4.2	1SAZ721201R1035	0.130
4.20...5.70		TF42-5.7	1SAZ721201R1038	0.130
5.70...7.60	35.0 A	TF42-7.6	1SAZ721201R1040	0.130
7.60...10.0		TF42-10	1SAZ721201R1043	0.130
10.0...13.0	40.0 A	TF42-13	1SAZ721201R1045	0.130
13.0...16.0		TF42-16	1SAZ721201R1047	0.130
16.0...20.0	63.0 A	TF42-20	1SAZ721201R1049	0.145

Empty enclosure with push-button

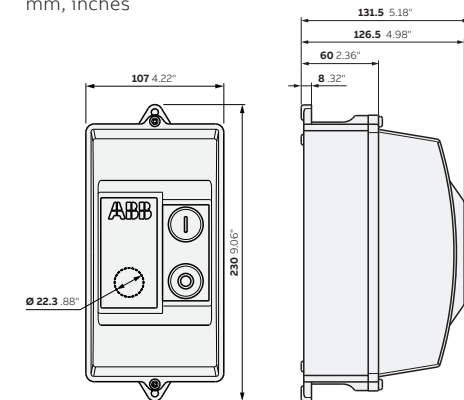
mm cable inlet/outlet IEC	FR16AF-12	1SBN101337R1000	0.53
---------------------------	-----------	-----------------	------

Control supply wiring versions



Main dimensions

mm, inches



DRAF09, DRAF12, DRAF16

IEC starter types - ISO M20

Cable inlets	Cable outlet
Enclosure top	Enclosure bottom
2 x \varnothing 20 mm	2 x \varnothing 20 mm
2 x \varnothing 0.79"	2 x \varnothing 0.79"