
For machine or wall mounting

Main applications

Control of stand alone motors like for heat pumps, air conditioning units, small machine tools, compressors, pumping, irrigation...



Contact us

ABB France
Low Voltage Products Division
2, rue d'Arsonval
69680 CHASSIEU / France

ABB STOTZ-KONTAKT GmbH
Eppelheimer Straße 82
D-69123 Heidelberg / Germany



www.abb.com/lowvoltage



DRAS enclosed direct-on-line starters



15BC100189L0201 - Rev A (05.2020 PDF)

DRAS enclosed direct on-line starters

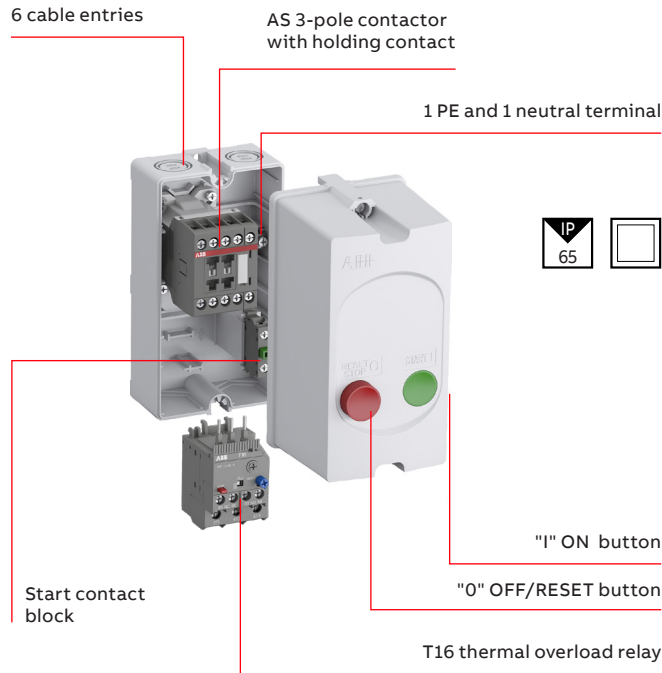
The ideal solution for motor starting applications up to 7.5 kW

Simple

- Compact size
- Easy to connect and to operate
- Pre-wired control circuit
- Quick cover fastening with captive screws.

Reliable

- High number of electrical and mechanical operations
- IP65 enclosure
- Double electrical insulation.



DRAS enclosed direct-on-line starters

IEC - AC-3		Type	Order code	Weight (1 pce)		
Rated operational power						
220 V	400 V	500 V	max. current $\theta \leq 40^\circ\text{C}$ $U_e=400\text{ V}$			
230 V						
240 V						
kW	kW	kW			A	
With phase-to-neutral control supply wiring 230 V 50/60 Hz rated control circuit voltage						
2.2	4	4	9	DRAS09-26N	1SBK104135R2600	0.650
3	5.5	5.5	12	DRAS12-26N	1SBK114135R2600	0.650
4	7.5	7.5	15.5	DRAS16-26N	1SBK124135R2600	0.650
With phase-to-phase control supply wiring 400 V 50/60 Hz rated control circuit voltage						
2.2	4	4	9	DRAS09-28P	1SBK104035R2800	0.650
3	5.5	5.5	12	DRAS12-28P	1SBK114035R2800	0.650
4	7.5	7.5	15.5	DRAS16-28P	1SBK124035R2800	0.650

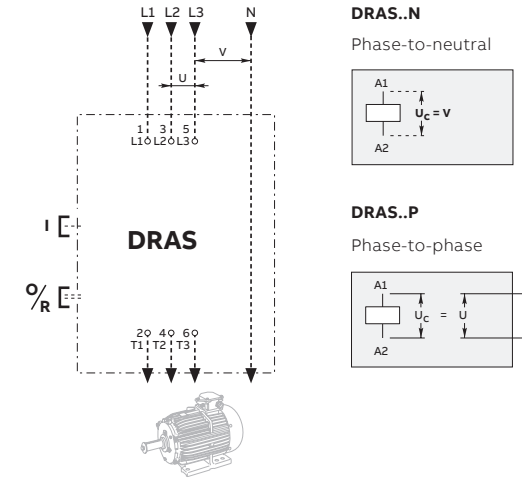
T16 thermal overload relays (to be ordered separately)

Trip class 10

Setting range	Short-circuit protective device	Type	Order code	Weight (1 pce)
A				
Fuse type T				
0.10...0.13	0.5 A	T16-0.13	1SAZ711201R1005	0.100
0.13...0.17	1.0 A	T16-0.17	1SAZ711201R1008	0.100
0.17...0.23		T16-0.23	1SAZ711201R1009	0.100
0.23...0.31		T16-0.31	1SAZ711201R1013	0.100
Fuse type gG				
0.31...0.41	2.0 A	T16-0.41	1SAZ711201R1014	0.100
0.41...0.55		T16-0.55	1SAZ711201R1017	0.100
0.55...0.74	4.0 A	T16-0.74	1SAZ711201R1021	0.100
0.74...1.00	6.0 A	T16-1.0	1SAZ711201R1023	0.100
1.00...1.30		T16-1.3	1SAZ711201R1025	0.100
1.30...1.70	10.0 A	T16-1.7	1SAZ711201R1028	0.100
1.70...2.30		T16-2.3	1SAZ711201R1031	0.100
2.30...3.10		T16-3.1	1SAZ711201R1033	0.100
3.10...4.20	20.0 A	T16-4.2	1SAZ711201R1035	0.100
4.20...5.70		T16-5.7	1SAZ711201R1038	0.100
5.70...7.60	35.0 A	T16-7.6	1SAZ711201R1040	0.100
7.60...10.0		T16-10	1SAZ711201R1043	0.104
10.0...13.0	40.0 A	T16-13	1SAZ711201R1045	0.104
13.0...16.0		T16-16	1SAZ711201R1047	0.104

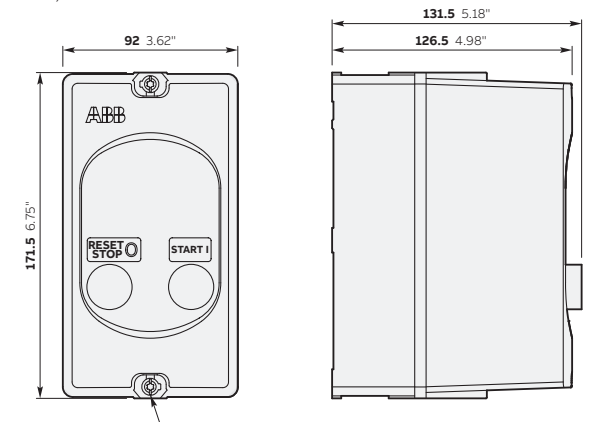
- Also available (see catalog 1SBC100185C0201):
- Large choice of AC control voltages
 - 24 V or 48 V DC control voltages, pre-wired for separate supply
 - Individual components: enclosure, contactor, holding contact block.

Control supply wiring versions



Main dimensions

mm, inches



DRAS09, DRAS12, DRAS16

Cable inlets		Cable outlet
Enclosure top	Enclosure back	Enclosure bottom
2 x \varnothing 20.5/25.5 mm	2 x \varnothing 20.5 mm	2 x \varnothing 20.5/25.5 mm
2 x \varnothing 0.81/1.00"	2 x \varnothing 0.81"	2 x \varnothing 0.81/1.00"
\varnothing 20.5mm - \varnothing 0.81" for ISO M20		
\varnothing 25.5mm - \varnothing 1.00" for ISO M25		