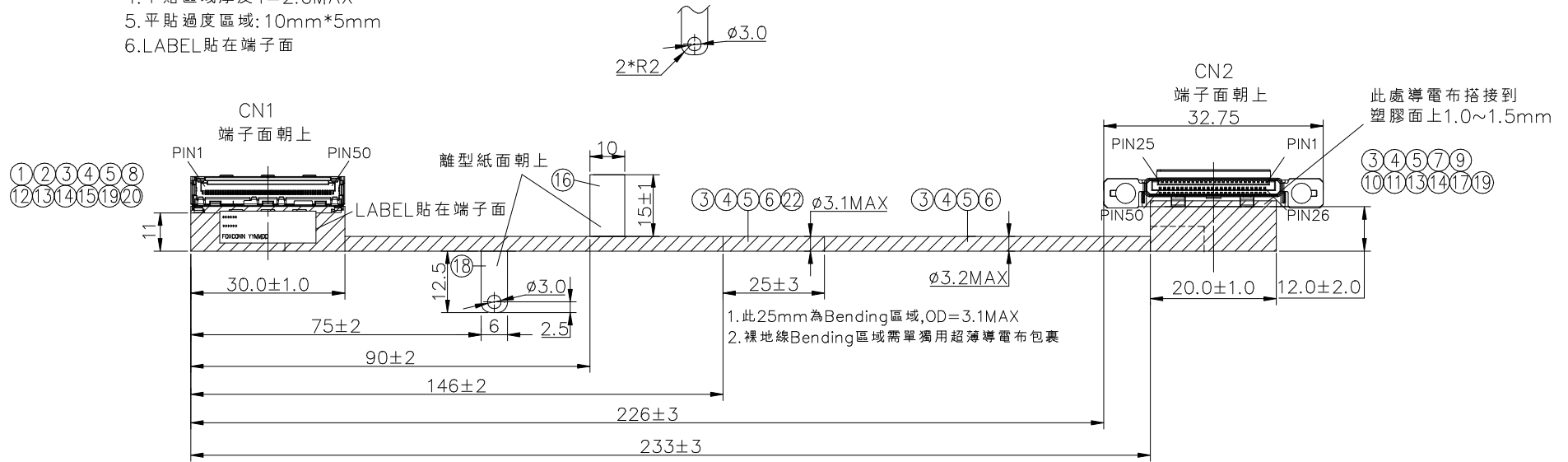


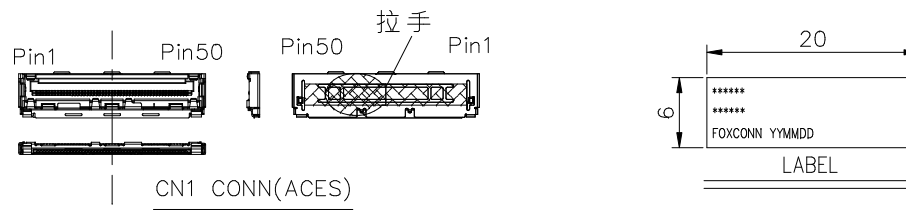
- CN1端:
- 1.端子面朝上
 - 2.CONN根部需點UV膠
 - 3.醋酸布完全覆蓋導電布
 - 4.平貼區域厚度T=2.0MAX
 - 5.平貼過度區域:10mm*5mm
 - 6.LABEL貼在端子面

- CN2端:
- 1.端子面朝上
 - 2.CONN根部需點UV膠
 - 3.平貼區域厚度T=2.2MAX
 - 4.過度區域:8mm*6mm



- NOTES:
- 1.PRODUCT DESCRIPTION:*****
 - 2.CUSTOMER P/N:*****
 - 3.TEST:
 - 3.1 OPEN&SHORT: 100%TEST
 - 3.2 CONTACT RESISTANCE:3 ohms Max
 - 3.3 INSULATION RESISTANCE: 10M ohms Min
 - 3.4 TEST TIME: 200VDC/0.1S
 - 4.THE MATERIAL MUST BE HALOGEN FREE.
SPEC: Br<900ppm,Cl<900ppm,and Br+Cl<1500ppm
 - 5.REGULATIONS SPECIFIED IN EPI12.

- | | |
|------------------------------|---------|
| BLACK CONDUCTIVE TAPE(黑色導電布) | UV GLUE |
| ACETATE COVER CONDUCTIVE | 離型紙 |



x.± 2	x°.±	UNITS	mm	NAME(INTENDED USE) MODEM&JUMPER CABLE ASSEMBLY	FOXCONN FOXCONN INTERCONNECT TECHNOLOGY LIMITED.		
.x± 1.0	.x°.±	MAT'L					
.XX±	.XX°.±	FINISH		PART NO.(INTENDED USE) WDMD-1JTX2001-DH	CLASS: <input type="checkbox"/> CONFIDENTIAL <input type="checkbox"/> SECRET <input checked="" type="checkbox"/> GENERAL		
.XXX±	.XXX°.±			APPD: Jerry Wu 6/17'14	TITLE: CUSTOMER DRAWING		
THESE DRAWINGS AND SPECIFICATIONS ARE THE PROPERTY OF FOXCONN INTERCONNECT TECHNOLOGY LIMITED. AND SHALL NOT BE REPRODUCED, COPIED OR USED IN ANY MANNER WITHOUT THE PRIOR WRITTEN CONSENT OF FOXCONN INTERCONNECT TECHNOLOGY LIMITED.				Q'TY	DWG NO.: 355-0000-7011		
				CHKD: Wanye Lv 6/17'14	SCALE	SHEET	REV.
				DR: Y.G.Sun 6/17'14	N/A	1/2	A

REV.	ECN.	NO.	APPD.
------	------	-----	-------

CONNECTION DIAGRAM				
	CN1	CN2	WIRE	NOTES
+5V_PAD	1	25	34AWG WIRE	
+5V_PAD	2	24	34AWG WIRE	
+5V_PAD	3	23	34AWG WIRE	
+5V_PAD	4	22	34AWG WIRE	
+5V_PAD	5	21	34AWG WIRE	
+5V_PAD	6	20	34AWG WIRE	
NC	7	19		
GND	8	18	40AWG COAX.	
PAD_PP0_CON	9	17	40AWG COAX.	mean: 85±10%ohms
PAD_PNO_CON	10	16	40AWG COAX.	max/min: 85±15%ohms
GND	11	15	GND BAR	
USB_PP6_CON	12	14	40AWG COAX.	mean: 85±10%ohms
USB_PN6_CON	13	13	40AWG COAX.	max/min: 85±15%ohms
GND	14	12	GND BAR	
USB_PP4_CON	15	11	40AWG COAX.	mean: 85±10%ohms
USB_PN4_CON	16	10	40AWG COAX.	max/min: 85±15%ohms
GND	17	9	GND BAR	
EDP_AUX_DN	18	8	40AWG COAX.	mean: 85±10%ohms
EDP_AUX_DP	19	7	40AWG COAX.	max/min: 85±15%ohms
GND	20	6	GND BAR	
EDP_TXN0_C	21	5	40AWG COAX.	mean: 85±10%ohms
EDP_TXP0_C	22	4	40AWG COAX.	max/min: 85±15%ohms
GND	23	3	GND BAR	
EDP_TXN1_C	24	2	40AWG COAX.	mean: 85±10%ohms
EDP_TXP1_C	25	1	40AWG COAX.	max/min: 85±15%ohms
DOCK_DET#_CON	26	50	34AWG WIRE	
GND	27	49	34AWG WIRE	
GND	28	48	34AWG WIRE	
HP_JACK_DET#	29	45	34AWG WIRE	
SMB3_CLK	30	44	34AWG WIRE	
SMB3_DAT	31	43	34AWG WIRE	
INT3	32	42	34AWG WIRE	
PCH_eDP_PWM	33	41	34AWG WIRE	
PAD_I2C_CLK	34	40	34AWG WIRE	
PAD_I2C_DAT	35	39	34AWG WIRE	
PAD_TP_INT#	36	38	34AWG WIRE	
PAD_DET2#	37	37	34AWG WIRE	
PAD_EC_Reset	38	36	34AWG WIRE	
GND	39	35	34AWG WIRE	
GND	40	34	34AWG WIRE	
GND	41	33	34AWG WIRE	
GND	42	32	34AWG WIRE	
GND	43	31	34AWG WIRE	
HP_PAD_R	44	30	34AWG WIRE	
Analog_GND	45	29	34AWG WIRE	
Analog_GND	46	28	34AWG WIRE	
HP_PAD_L	47	27	34AWG WIRE	
PAD_DET#	48	26	34AWG WIRE	

CN1: 11,14,17,20,23 (GND BAR) BRAID 30AWG 裸線 1根 CN2: 15,12,9,6,3 (GND BAR)

22	導電布	A/R	M	090-0005-2759	W=5mm
21	LABEL	1	PC	085-0031-673	L*W=20*6mm
20	黃膠紙	A/R	M	086-1005-522	W=5.0mm
19	沖型黃膠紙	1	PC	090-0042-714	
18	沖型導電布	1	PC	090-0015-6522	
17	沖型導電布	1	PC	090-0014-6522	
16	沖型導電布	1	PC	090-0013-6522	
15	沖型混合布	1	PC	090-0011-7814	
14	UV 膠	A/R	GM	090-H001-5549	
13	GND BAR	64	PC	023-3021-1607	
12	50PIN PULL TAPE	1	PC	085-0007-4244	
11	50PIN DOCKING SHELL	1	PC	024-2050-5134	STARCONN
10	50PIN DOCKING CONN	1	PC	073-2050-7984	STARCONN
9	沖型黃膠紙	1	PC	086-0026-4565	
8	沖型黃膠紙	1	PC	086-0025-4565	
7	沖型黃膠紙	2	PC	086-0023-4565	
6	導電布	A/R	M	090-0110-2759	W=10mm
5	30AWG 裸線	A/R	KG	906-3000-833-K	30AWG 1根
4	34AWG SINGLE WIRE	A/R	FT	771-34**-509	FOXCONN
3	40AWG COAXIAL WIRE	A/R	FT	702-40**-447	FOXCONN
2	50PIN SHELL	1	PC	075-4150-082	ACES: 50399-M85L-050
1	50PIN CONN	1	PC	075-4050-082	ACES: 50399-05011-002
No.	DESCRIPTION	Q'TY	UNIT	P/N	REMARKS
x.± 2	x°±	UNITS	mm	NAME(INTENDED USE) MODEM&JUMPER CABLE ASSEMBLY	FOXCONN FOXCONN INTERCONNECT TECHNOLOGY LIMITED.
.x± 1.0	.x°±	MAT'L		PART NO.(INTENDED USE) WDMD-1JTX2001-DH	CLASS: <input type="checkbox"/> CONFIDENTIAL <input type="checkbox"/> SECRET <input checked="" type="checkbox"/> GENERAL
.xx±	.xx°±	FINISH		APPD: Jerry Wu 6/17'14	TITLE: CUSTOMER DRAWING
.xxx±	.xxx°±	Q'TY		CHKD: Wanye Lv 6/17'14	DWG NO.: 355-0000-7011
THESE DRAWINGS AND SPECIFICATIONS ARE THE PROPERTY OF FOXCONN INTERCONNECT TECHNOLOGY LIMITED. AND SHALL NOT BE REPRODUCED, COPIED OR USED IN ANY MANNER WITHOUT THE PRIOR WRITTEN CONSENT OF FOXCONN INTERCONNECT TECHNOLOGY LIMITED.				DR: Y.C.Sun 6/17'14	SCALE SHEET REV. N/A 2/2 A

