

SPECIFICATIONS

Mechanical

Contact Retention Force (Per Contact): 0.15 kg min.

Electrical

Current Rating: 5A

Contact Resistance: 30mΩ max.

Dielectric Withstanding Voltage: 500V AC/1 min.

Insulation Resistance: 1000MΩ min.

Physical

Housing: Thermoplastic, UL 94V-0 rated in Black Color

Contact: Copper alloy

Plating: See "ORDERING INFORMATION"

Operating Temperature: -55 to +85

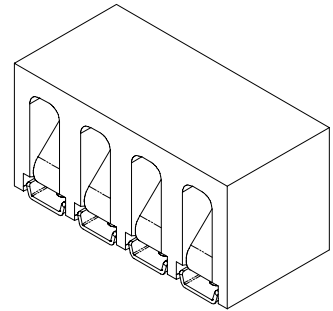
Battery Connector

WB Series

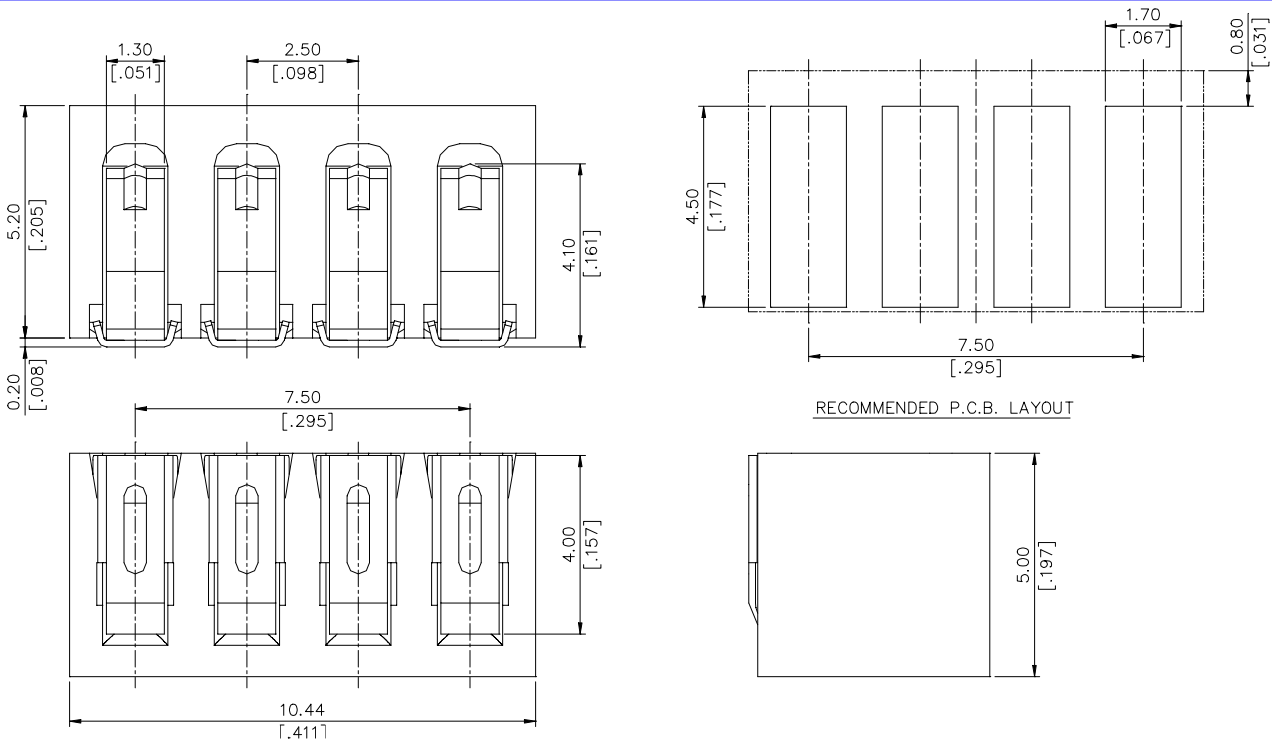
SMT Type

2.50mm [.098"] Pitch

4 Pos.



DRAWING



ORDERING INFORMATION

PRODUCT NO.: WB 2 4 B B C - 00 - TR

Battery Connector

Termination Type
2= Straight, SMT

No. of Pos.
4=4 Pos.

Body Height
B=4.00 to 4.50 mm

Package Type
TR= Tape and Reel

Extension Code

Contact Plating
C=30μm Pd/Ni+Gold Flash

Contact Pitch
B=2.50 mm