

REV.	ECN. NO.	APPD.
A	BC05716205	HAO GU

NOTES:

- ELECTRICAL CHARACTERISTICS:
 - CONTACT CURRENT RATING: 1.5 AMPERE MAX..
 - CONTACT RESISTANCE: 50 MILLIOHMS MAX. INITIAL.
 - DIELECTRIC WITHSTANDING VOLTAGE: 100Vrms AC .
 - INSULATION RESISTANCE: 1000 MOHMS MIN. INITIAL.
- MECHANICAL CHARACTERISTICS:
 - CONNECTOR MATING FORCES: 39.2N MAX.
 - CONNECTOR UNMATING FORCES: 4.9N TO 39.2N.
 - DURABILITY: 1000 CYCLES.
 - OPERATING TEMPERATURE: -55°C TO +85°C.
- RECOMMEND P. C. B. THICKNESS IS 1.60±0.05[.063±.002] .
- RECOMMENDED PROCESS: PEAK TEMP. 230°C~250°C AND 20~40s FOR IR REFLOW

PRODUCT NUMBER: UV 0 1 4 1 * - V 6 - * F

SERIES PREFIX

TERMINATOR TYPE
0=STRAIGHT

CONTACT DESIGN TYPE
1=FEMALE

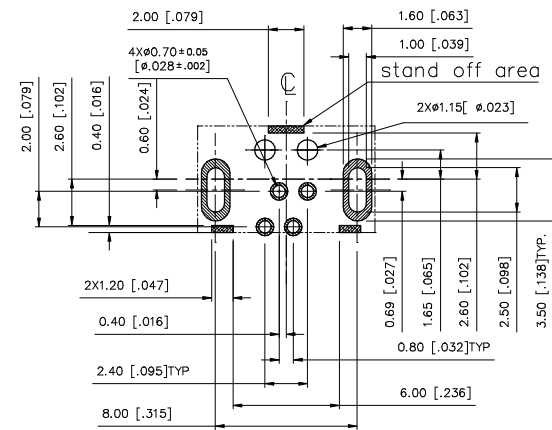
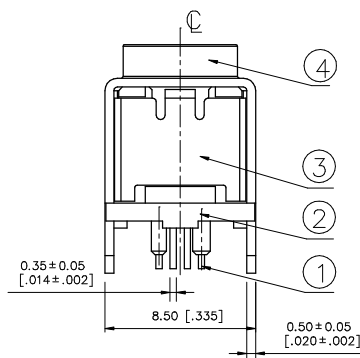
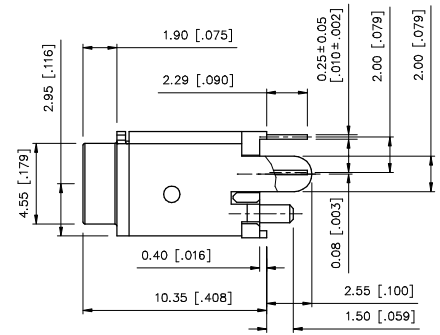
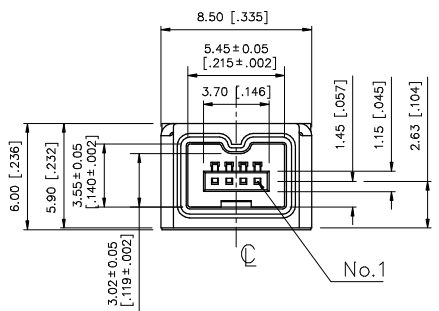
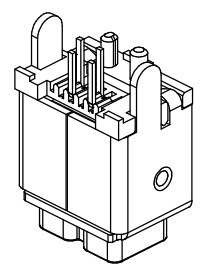
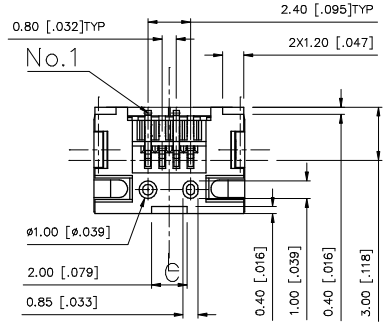
NO. OF CONTACT POSITION
4=1394 SERIES 4 POS.

LEAD FREE CODE
F=LEAD FREE
PACKAGE CODE
4=TRAY
7=TAPE REEL
EXTENSION CODE
CONTACT PLATING
1=GOLD FLASH
2=20 μ" GOLD
3=30 μ" GOLD
SOLDER TYPE
1=DIP TYPE.

4	FRONT SHELL	1	STEEL ALLOY	Ni UNDERPLATED Pd PLATING OVER Ni	
3	BOTTOM SHELL	1	STEEL ALLOY	WASH	
2	HOUSING	1	HI-TEMP. THERMOPLASTIC UL94V-0	MOLDED COLOR BLACK	
1	CONTACT	4	COPPER ALLOY	NICKEL UNDERPLATING. LEAD FREE TIN ALLOY PLATING AT TAIL AREA, GOLD PLATING AT CONTACT AREA.	
ITEM	DESCRIPTION	QTY	MATERIAL	FINISH	REMARK

X. ±	X'. ±	UNITS	mm [INCH]	NAME(NTENDED USE)	FOXCONN HON HAI PRECISION IND. CO.,LTD. TAIPEI, TAIWAN, R.O.C.
.X ±	.X' ±	MAT'L		CUSTOMER	
.XX ±	.XX' ±	NOTES		PART NO.(INTENDED USE)	TITLE:
.XXX ±	.XXX' ±	FINISH		UVO141*-V6-*F	IEEE 1394 AV,RECEPTACLE; VERTICAL DIP TYPE
		Q'TY		APPD: HAO GU 3/18'05	DWG NO.:
				CHKD: Z.Q Mou 3/18'05	337-0000-1064
				DR: H.J Wang 3/18'05	
					SCALE SHEET REV.
				N/A	1/1 A

THESE DRAWINGS AND SPECIFICATIONS ARE THE PROPERTY OF HON HAI PRECISION IND. CO., LTD. AND SHALL NOT BE REPRODUCED COPIED OR USED IN ANY MANNER WITHOUT THE PRIOR WRITTEN CONSENT OF HON HAI PRECISION IND. CO., LTD.



PCB LAYOUT: COMPONENT SIDE
(DEFAULT VALUE: **±0.05[.002])