

**SPECIFICATIONS**

**Mechanical**

**Mating Force:** 4.0Kg (8.82Lb) max.  
**Unmating force:** 1.0Kg (2.20Lb) to 4.0Kg (8.82Lb)  
**Durability:** 1500 Cycles.

**Electrical**

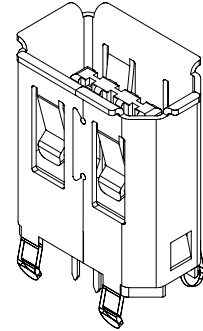
**Contact Current Rating:** 1.5A  
**Contact Resistance:** 30mΩ max.  
**Dielectric Withstanding Voltage:** 500Vrms AC  
**Insulation Resistance:** 100MΩ min.

**Physical**

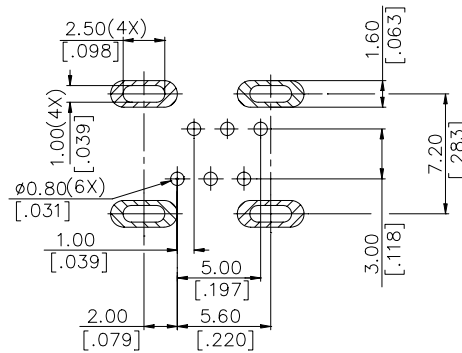
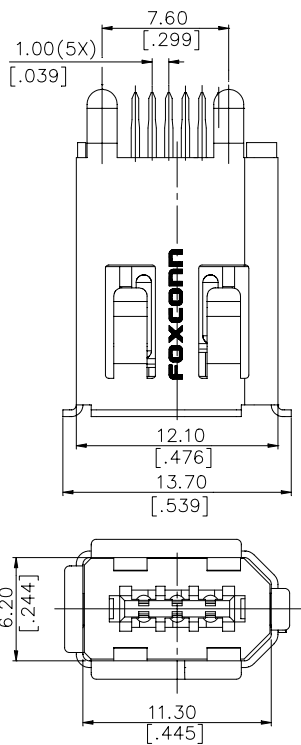
**Housing:** Thermoplastic, UL 94V-0  
**Contact:** Copper alloy  
**Plating:** See "ORDERING INFORMATION"  
**Operating Temperature:** -55 to +85

**IEEE 1394 Connector**

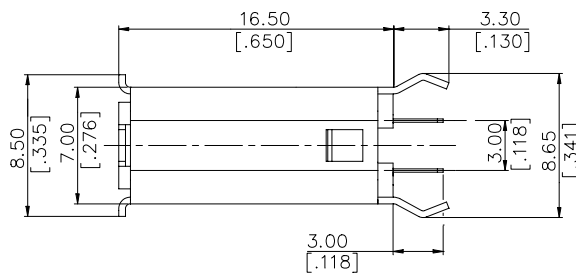
**UF Series**  
**Vertical Type, T/H**  
**2.0mm [.079"] Pitch**  
**6 Pos.**



**DRAWING**



RECOMMENDED P.C.B. LAYOUT



**ORDERING INFORMATION**

PRODUCT NO.:

**UF 0 1 6 1 3 - GDV2 - 4 F**

