

REV.	EGN. NO.	APPD.
A	HC96160	C. CHEN 01/31/96
B	HC96879	C. CHEN 06-10-'96
C	HC990763	Disc Lee 3/11/99
D	IC022063	Yhsin Chen 5/22/02
E	IC025189	Yhsin Chen 9/6/02

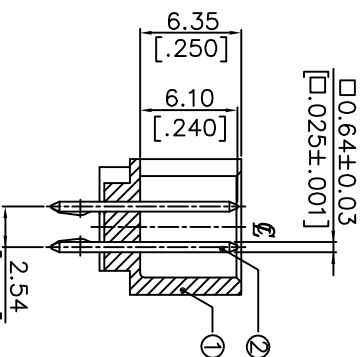
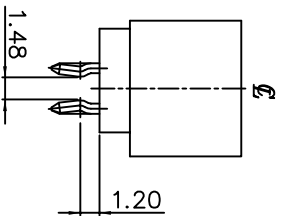
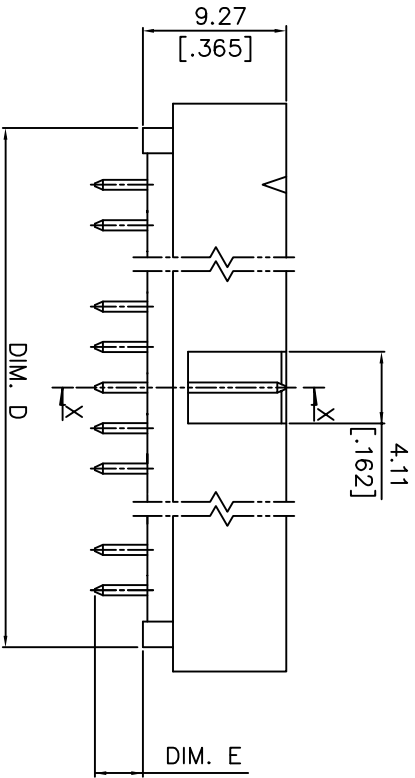
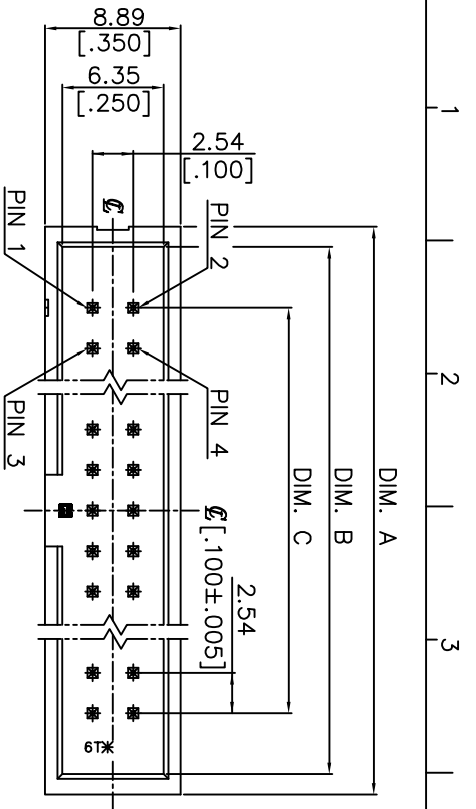
NOTES: (UNLESS OTHERWISE SPECIFIED)

- DIMENSIONS SHALL BE INTERPRETED PER ANSI Y14.5M-1994
- PROD. SPEC PER DRAWING NO. 307-0300-112
- MATERIALS OF Ø AND Ø ARE SHOWN ON DRAWING NO. 307-0000-784.

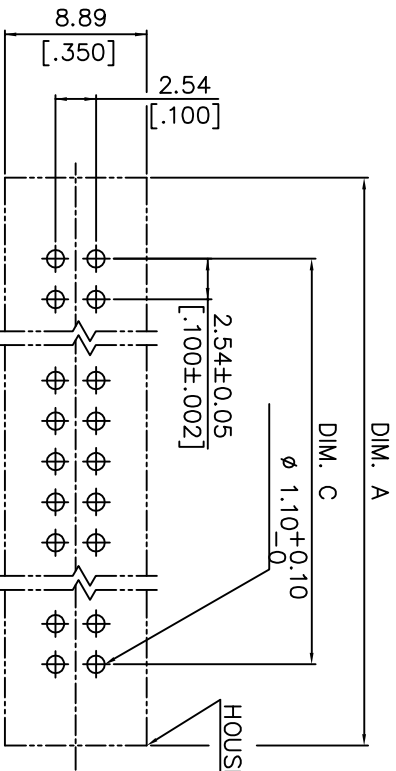
▲ PART NO.: HL27***-□□□

OMITTED POS. CODE
SEE DRAWING NO. 307-0000-297

TAIL LENGTH OPTIONAL
NONE: DIM.E = 3.00mm
L: DIM.E = 3.40mm



SEC: X-X



RECOMMENDED HOLE PATTERN

HOUSING EXTERNAL FORM

HL2725*-□□□	71.12 [2.800]	68.58 [2.700]	60.96 [2.400]	68.07 [2.680]
HL2720*-□□□	58.42 [2.300]	55.88 [2.200]	48.26 [1.900]	55.37 [2.180]
HL2717*-□□□	50.80 [2.000]	48.26 [1.900]	40.64 [1.600]	47.75 [1.880]
HL2712*-□□□	38.10 [1.500]	35.56 [1.400]	27.94 [1.100]	35.05 [1.380]
HL2710*-□□□	33.02 [1.300]	30.48 [1.200]	22.86 [0.900]	29.97 [1.180]
HL2705*-□□□	20.32 [0.800]	17.78 [0.700]	10.16 [0.400]	17.27 [0.680]

PART NO.	DIM. A	DIM. B	DIM. C	DIM. D
X±	X±			
X±	0.38	X±		
XX±	0.25	XX±		
.XXX±	.XXX±			

THESE DRAWINGS AND SPECIFICATIONS ARE THE PROPERTY OF HON HAI PRECISION IND. CO., LTD. AND SHALL REMAIN THE PROPERTY OF HON HAI PRECISION IND. CO., LTD. IF USED IN ANY MANNER WITHOUT THE PRIOR WRITTEN CONSENT OF HON HAI PRECISION IND. CO., LTD.	Q'TY	DR: Y. S. HSIAO 1/31/96	SCALE SHEET N/A	REV. E
APPD: CAESAR CHEN 01/31/96	CHKD: PAI JAN/31/96	DWG NO.: 307-0000-251		
PART NO.(INTENDED USE) HL27 SERIES	NAME(INTENDED USE) HEADER CONN.	TITLE: CUSTOMER DRAWING		
UNITS [MM]				
MAT'L				
FINISH				