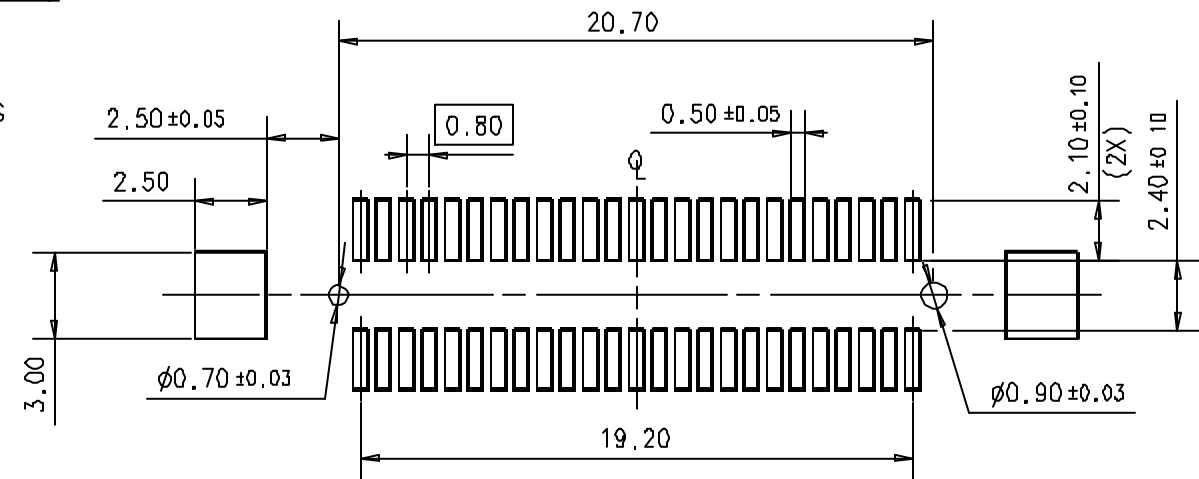
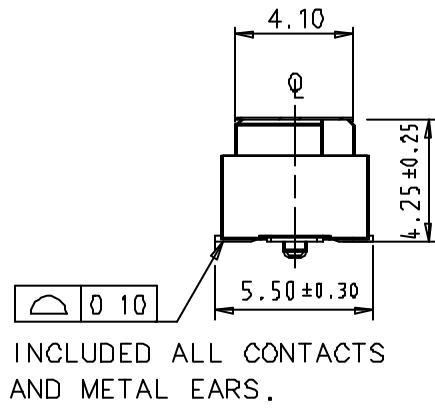
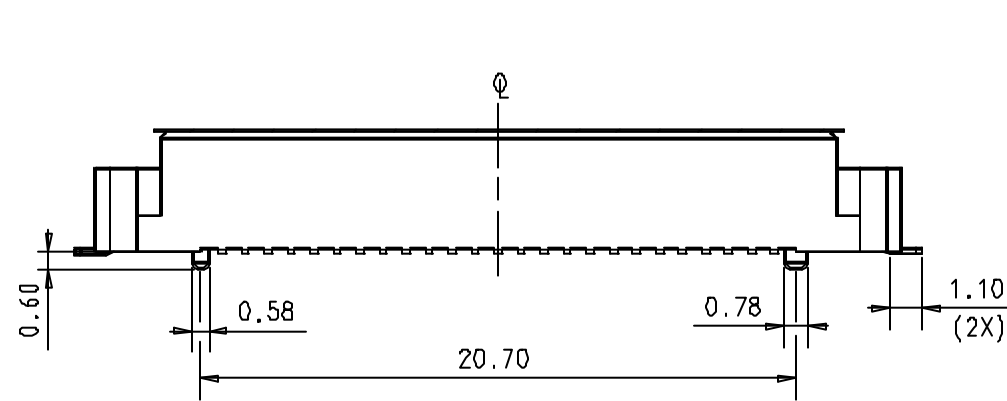
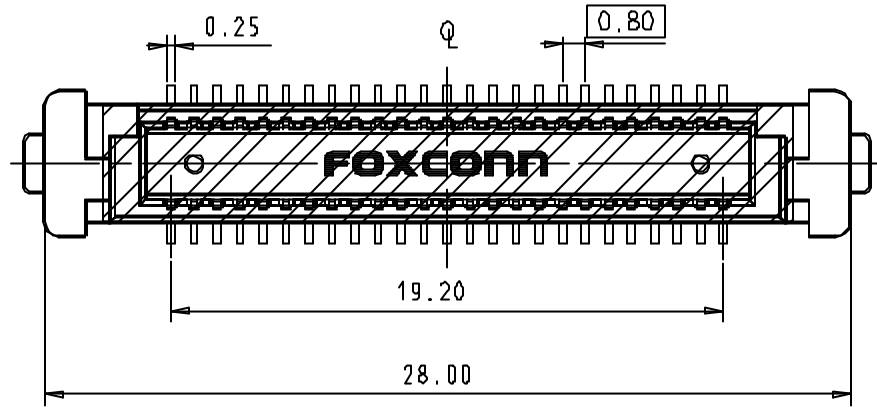


IDEAS GENERATED DRAWING ,DON'T CHANGE BY HAND.

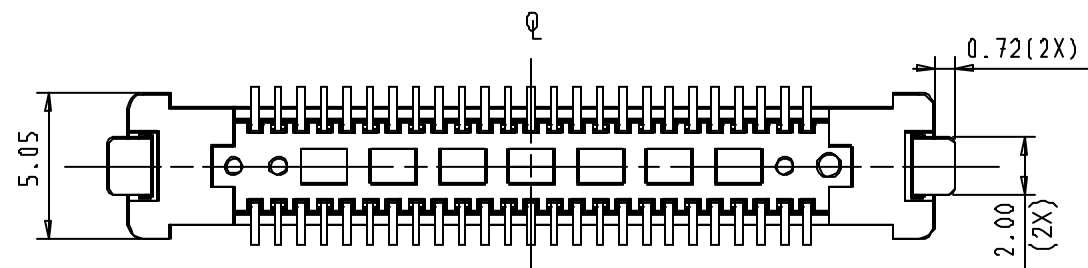
REV.	ECN. NO.	APPD.
A	HC033925	BRUCE WU

NOTES:

1. ALL DIMENSIONS ARE IN MILLIMETERS.
2. DIMENSIONS SHALL BE INTERPRETED PER ANSI Y14.5M-1994.
3. MATERIAL :
 HOUSING : THERMOPLASTIC UL94V-0;
 CONTACT : COPPER ALLOY.
 METAL EAR: COPPER ALLOY.



RECOMMENDED PCB LAYOUT (TOP VIEW)



X. ±	X. ±	UNITS	MM	NAME (INTENDED USE)	FOXCONN HON HAI PRECISION IND. CO., LTD. TAIPEI, TAIWAN, R.O.C.
X ±	.X ±	MAT'L	SEE NOTES	0.8P 50POS BTB V/T BTB CD_ROM MODULE SIDE	
.XX ±	.XX ±			PART NO. (INTENDED USE)	TITLE:
.XXX ±	.XXX ±	FINISH		QT8G0506-0213(-*F)	CUSTOMER DRAWING
THESE DRAWINGS AND SPECIFICATIONS ARE THE PROPERTY OF HON HAI PRECISION IND CO., LTD. AND SHALL NOT BE REPRODUCED, COPIED OR USED IN ANY MANNER WITHOUT THE PRIOR WRITTEN CONSENT OF HON HAI PRECISION IND CO., LTD.				APPD:	DWG NO.:
				BRUCE WU 6/25'03	323-0100-174
				CHKD. COLIN PAN 6/25'03	
DR:	3RD WORM 6/6'03	SCALE	SHEET	REV.	
		N/A	1/1	A	