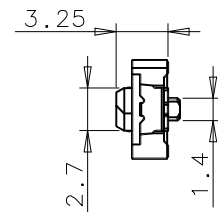
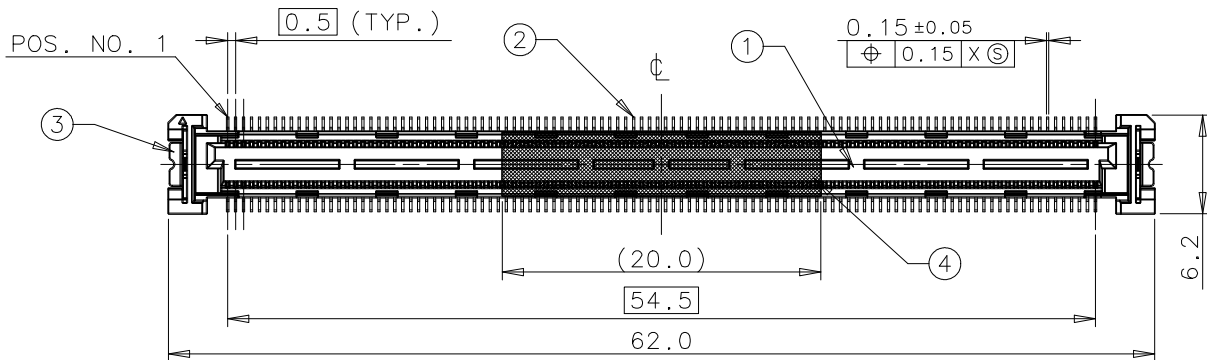
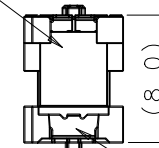


IDEAS GENERATED DRAWING, DON'T CHANGE BY HAND.

REV.	ECN. NO.	APPD.
A	BC-08-7139991	H.C. YU
B	BC-08-7150296	H.C. YU
C	BC-10-0085606	Y.H. Mao
D	BC-13-0055781	C.S.Li

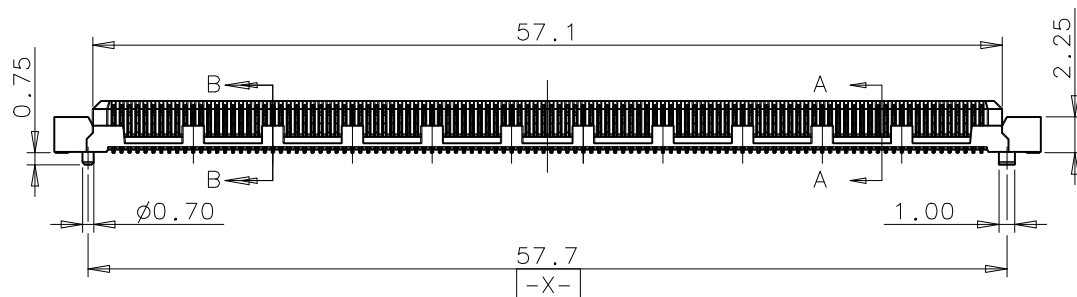


PLUG CONNECTOR  
P/N: QT02206-4131-\*\*

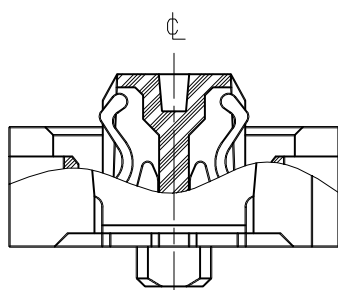


REC. CONNECTOR  
P/N: QT012206-1031-\*\*

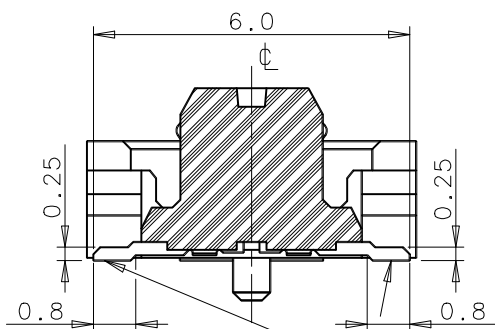
MATED CONDITION



- NOTES:
- DIMENSION SHOULD BE INTERPRETED PER ASME Y14.5M-1994.
  - ELECTRICAL CHARACTERISTICS:
    - 2-1. CONTACT CURRENT RATING: 0.5A MAX. PER CONTACTS.
    - 2-2. DIELECTRIC WITHSTANDING VOLTAGE: 200 VAC RMS FOR 1 MINUTE.
    - 2-3. LOW LEVEL CONTACT RESISTANCE: 55mΩ MAX. (INITIAL)  
ΔR=20mΩ MAX. (AFTER)
  - MECHANICAL CHARACTERISTICS:
    - 3-1. TOTAL INSERTION FORCE: 20.0KGF MAX.
    - 3-2. TOTAL WITHDRAWAL FORCE: 2.2KGF MIN.
    - 3-3. DURABILITY: 60 MATING CYCLES.
    - 3-4. OPERATING TEMPERATURE: -40°C TO +105°C.
  - PLEASE CONTACT FOXCONN SALES REPRESENTATIVE TO VERIFY PRODUCT DETAIL & AVAILABILITY.



SECTION B-B



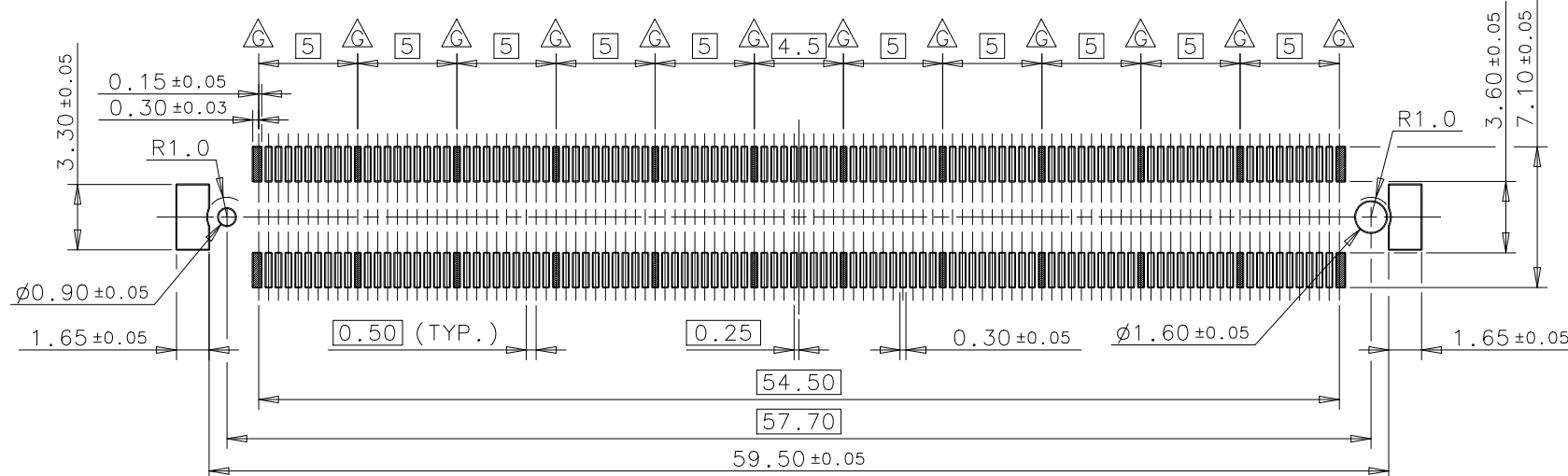
(INCLUDING ALL CONTACT TAILS & SOLDER PADS)

SECTION A-A

ITEM	DESCRIPTION	MATERIAL	QT'Y	REMARK
④	PI-FILM	POLYSTYRENE	1	
③	METAL EAR	STAINLESS STEEL	2	Sn PLATING ON SOLDER AREA
②	CONTACT	COPPER ALLOY	220	Au PLATING ON CONTACT AREA Au PLATING ON SOLDER AREA
①	HOUSING	THERMOPLASTIC	1	COLOR: BLACK, UL94V-0
X. ± 0.25 X.° ± 3.0° UNITS mm .X ± 0.20 .X° ± 1.5° MAT'L .XX ± 0.15 .XX° ± .XXX ± .XXX° ± FINISH THESE DRAWINGS AND SPECIFICATIONS ARE THE PROPERTY OF HON HAI PRECISION IND. CO., LTD. AND SHALL NOT BE REPRODUCED, COPIED OR USED IN ANY MANNER WITHOUT THE PRIOR WRITTEN CONSENT OF HON HAI PRECISION IND. CO., LTD.				NAME (INTENDED USE) 0.5P 220POS. REC. H=3.25mm BTB CONN. PART NO. (INTENDED USE) QT012206-1031-** APPD: C.S.Li CHKD: King DR: W.L.Liang 7/29/13
				<b>FOXCONN</b> HON HAI PRECISION IND. CO., LTD. TAIPEI, TAIWAN, R.O.C. TITLE: CUSTOMER DRAWING DWG NO.: 323-0000-1582
				SCALE SHEET REV. N/A 1/3 D

IDEAS GENERATED DRAWING, DON'T CHANGE BY HAND.

REV.	ECN. NO.	APPD.



REFERENCE PCB LAYOUT

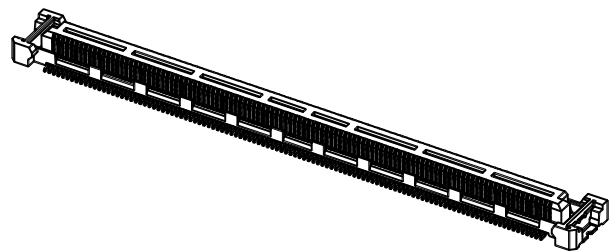
QT012206-1031-\*\*

POS. NO.  
220: 220POS.

PLATING CODE  
6: 10u" GOLD PLATING ON CONTACT AREA

F: LEAD FREE  
H: HALOGEN & LEAD FREE

PACKAGE CODE  
2: HARD TRAY w/ PI-FILM  
8: CARRIER TAPE w/ PI-FILM

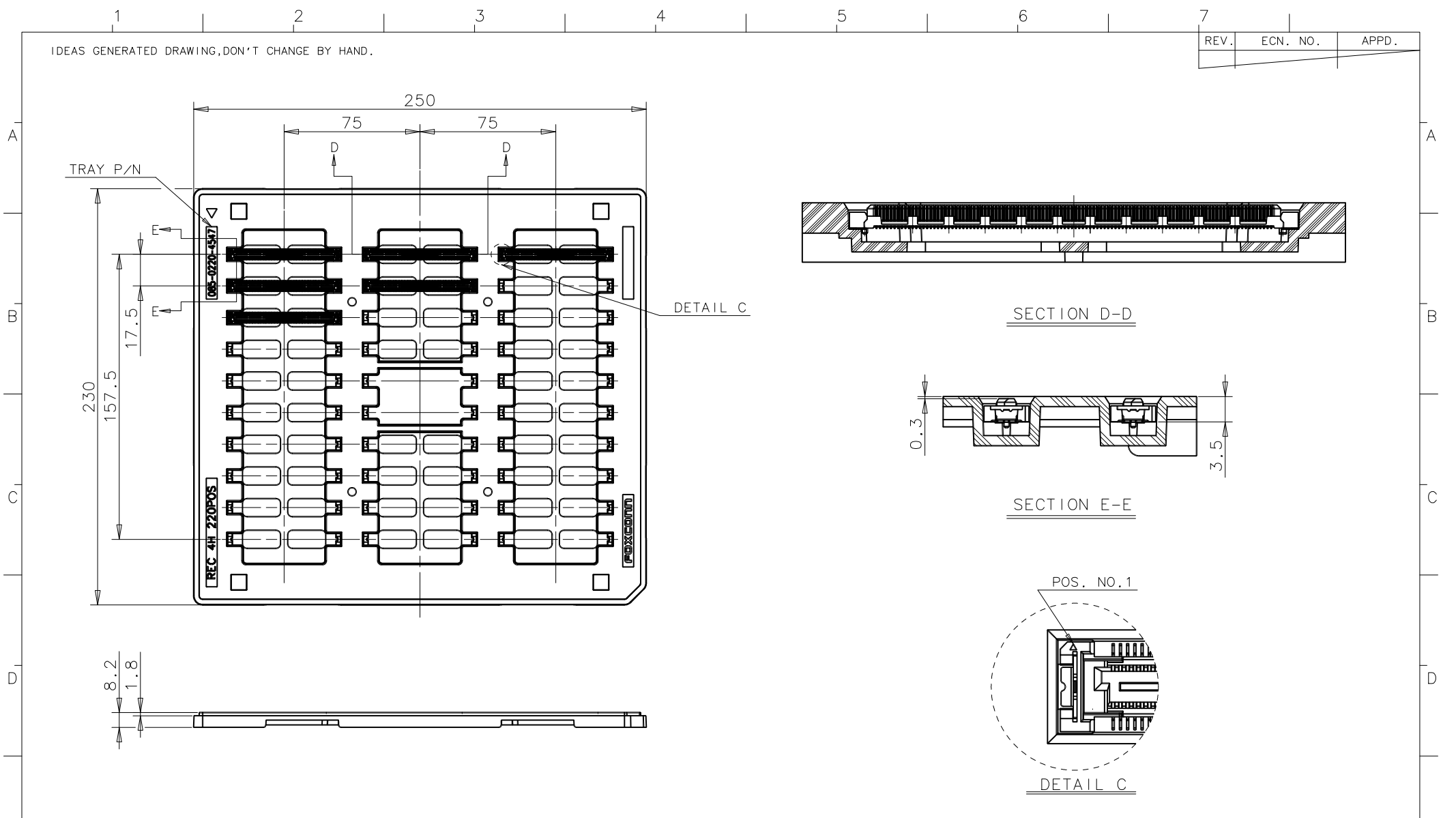


ISO VIEW (REFERENCE ONLY)

x. ± 0.25	x.° ± 3.0°	UNITS mm	NAME (INTENDED USE) 0.5P 220POS. REC. H=3.25mm BTB CONN.	<b>FOXCONN</b> HON HAI PRECISION IND. CO., LTD. TAIPEI, TAIWAN, R.O.C.			
.X ± 0.20	.X° ± 1.5°	MAT'L	PART NO. (INTENDED USE) QT012206-1031-**				
.XX ± 0.15	.XX° ±	FINISH	APPD: c.s.Li	TITLE: CUSTOMER DRAWING			
.XXX ±	.XXX° ±		CHKD: King	DWG NO.: 323-0000-1582			
THESE DRAWINGS AND SPECIFICATIONS ARE THE PROPERTY OF HON HAI PRECISION IND. CO., LTD. AND SHALL NOT BE REPRODUCED, COPIED OR USED IN ANY MANNER WITHOUT THE PRIOR WRITTEN CONSENT OF HON HAI PRECISION IND. CO., LTD.			Q'TY	DR: W.L.Liang 7/29'13			
			<table border="1"> <tr> <td>SCALE</td> <td>SHEET</td> <td>REV.</td> </tr> <tr> <td>N/A</td> <td>2/3</td> <td>D</td> </tr> </table>		SCALE	SHEET	REV.
SCALE	SHEET	REV.					
N/A	2/3	D					

IDEAS GENERATED DRAWING, DON'T CHANGE BY HAND.

REV.	ECN. NO.	APPD.
------	----------	-------



NOTES:  
1. PACKAGE NUMBER OF CONECTORS : 28 PCS/TRAY.

X. ± 0.30	X. ° ±	UNITS mm	NAME (INTENDED USE) 0.5P 220POS. REC. H=3.25mm BTB CONN.	<b>FOXCONN</b> HON HAI PRECISION IND. CO.,LTD. TAIPEI, TAIWAN, R.O.C.						
.X ± 0.30	.X ° ±	MAT'L	PART NO. (INTENDED USE) QT012206-1031-**							
.XX ± 0.30	.XX ° ±	FINISH	APPD: c.s.Li	TITLE: CUSTOMER DRAWING						
.XXX ±	.XXX ° ±		Q'TY	CHKD: King	DWG NO.: 323-0000-1582					
<small>THESE DRAWINGS AND SPECIFICATIONS ARE THE PROPERTY OF HON HAI PRECISION IND. CO., LTD. AND SHALL NOT BE REPRODUCED, COPIED OR USED IN ANY MANNER WITHOUT THE PRIOR WRITTEN CONSENT OF HON HAI PRECISION IND. CO., LTD.</small>			DR: W.L.Liang 7/29'13	<table border="1"> <tr> <td>SCALE</td> <td>SHEET</td> <td>REV.</td> </tr> <tr> <td>N/A</td> <td>3/3</td> <td>D</td> </tr> </table>	SCALE	SHEET	REV.	N/A	3/3	D
			SCALE	SHEET	REV.					
N/A	3/3	D								