

SPECIFICATIONS

Mechanical

Connector Mating Force : 5.00 Kef max.
Connector Unmating Force : 0.50 kgf Min.
Durability : 5,000 Cycles

Electrical

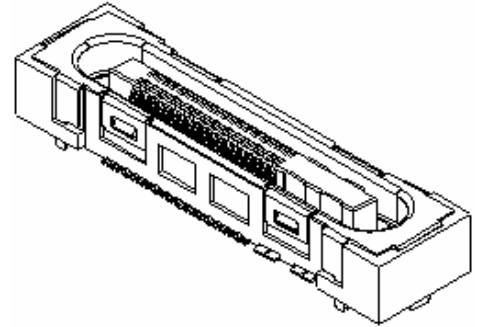
Voltage Rating: 125V
Current Rating: 0.5A(signal); 3A(power)
Contact Resistance: Initial 130mΩ max., ΔR 20mΩ max.
Dielectric Withstanding Voltage: 125V AC/1 min.
Insulation Resistance: 100MΩ

Physical

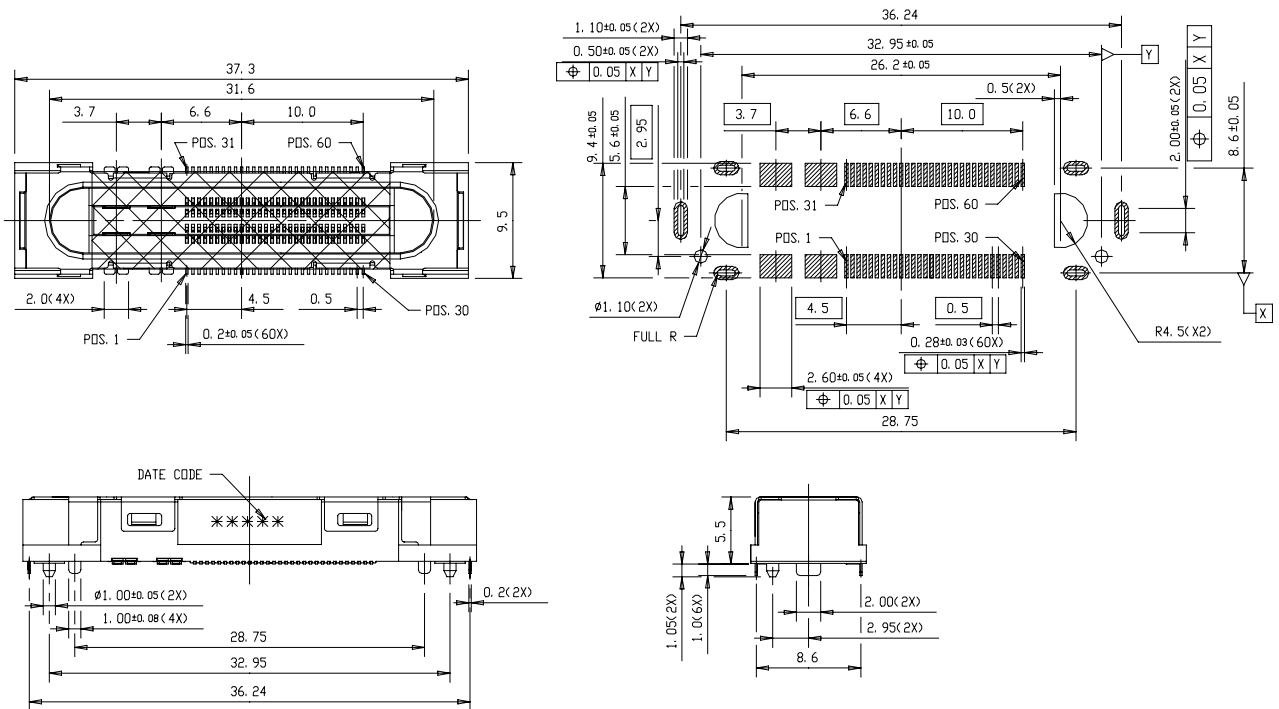
Housing: Thermoplastic, UL 94V-0 rated in Natural Color, H/F
Contact: Copper alloy
Plating: See "ORDERING INFORMATION"
Metal Spring & Solder Pad: Copper alloy
Operating Temperature: -55°C to +85°C

PDA Docking Connector

QL Series
Vertical, SMT,
Receptacle Type 0.5mm
Pitch 60Pos.



DRAWING



ORDERING INFORMATION

PRODUCT NO. : QL 0 1 3 0 L - D 2 4 5 0 1 - 5 F

