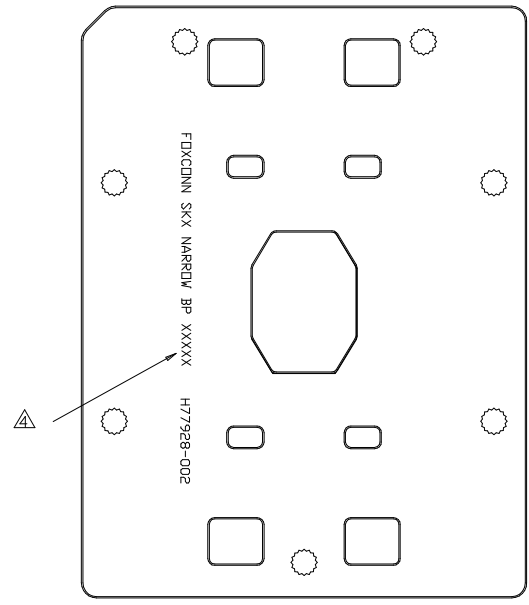
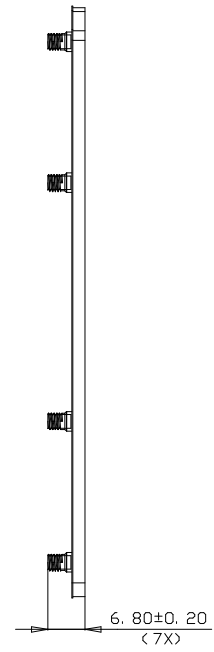
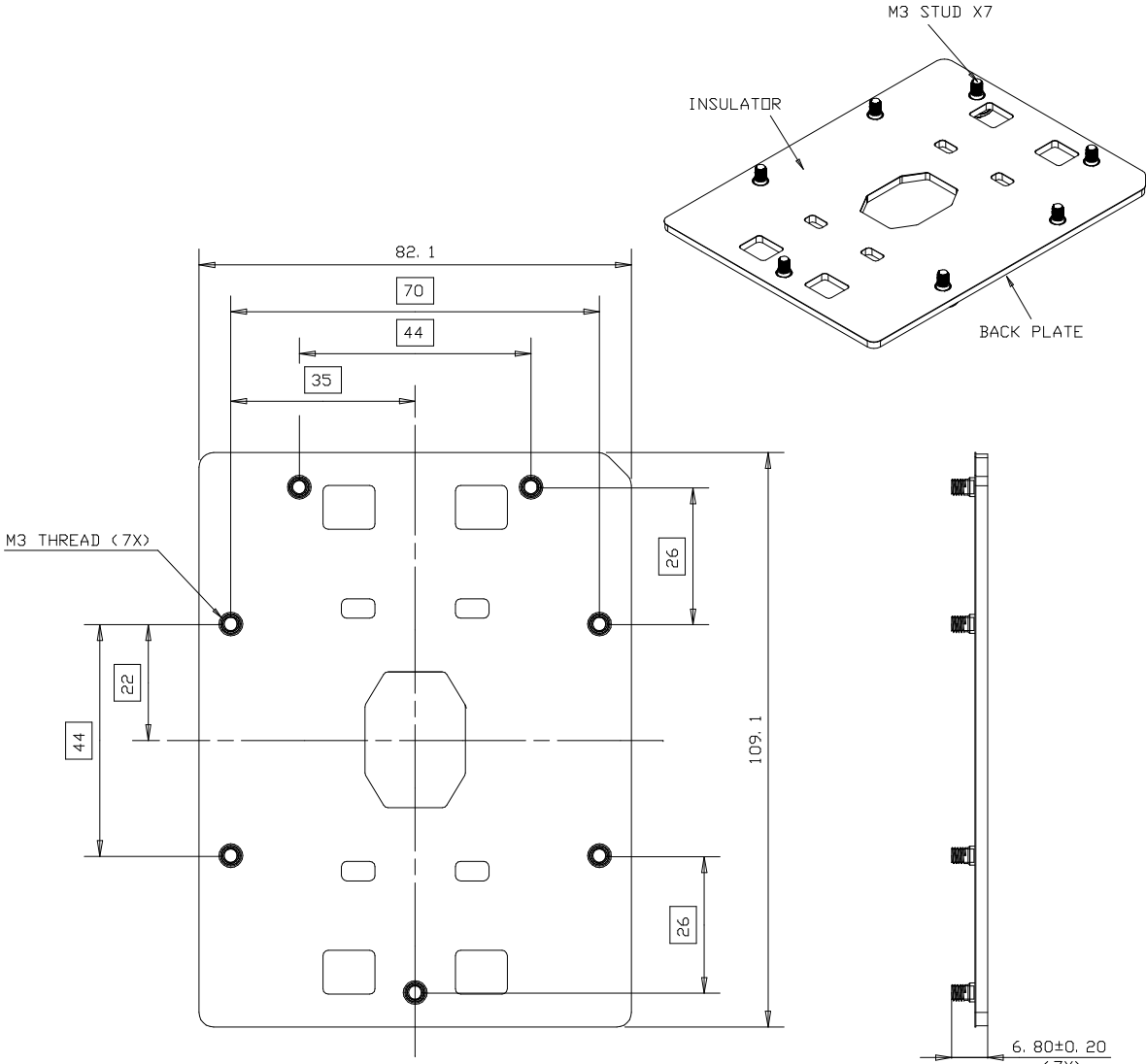


SOLIDWORKS GENERATED DRAWING, DO NOT CHANGE BY HAND.

| | | |
|------|---------------|----------|
| REV. | ECN. NO. | APPD. |
| A | BC-16-0017036 | S. Szu |
| B | BC-16-0037492 | Nick Lin |

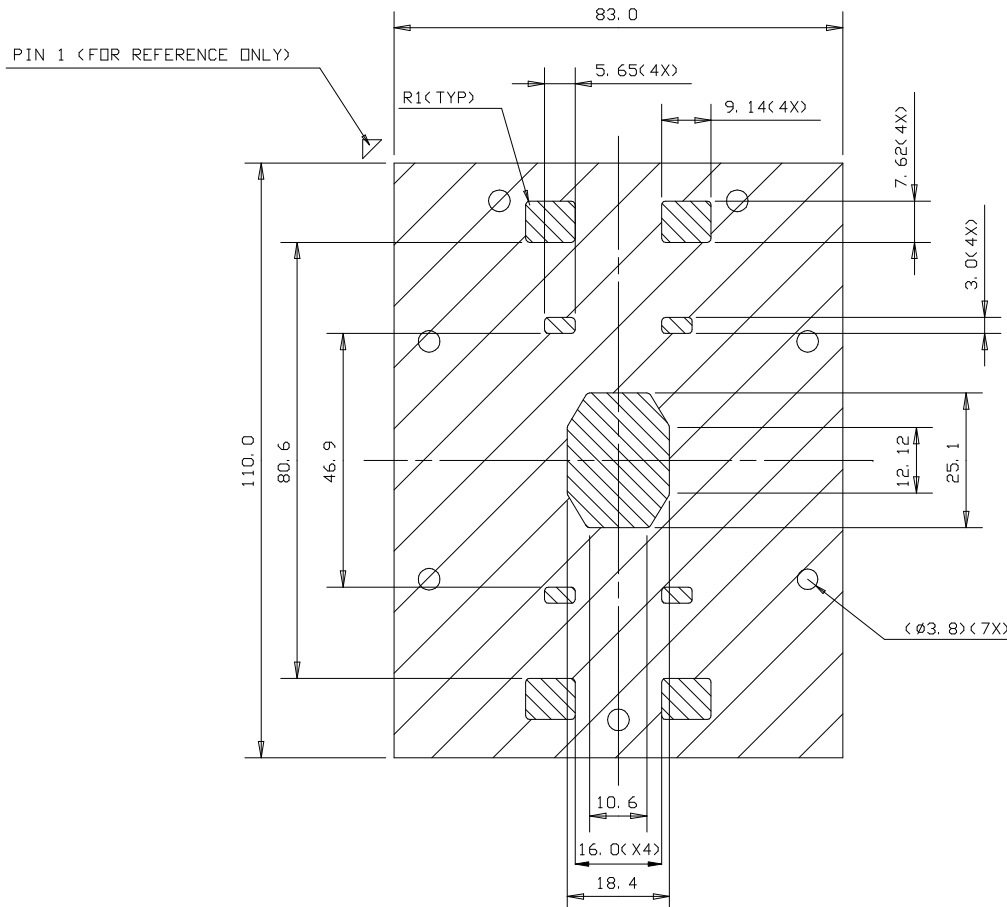
- NOTES:
1. ALL DIMENSIONS ARE IN MILLIMETERS.
 2. DIMENSIONING AND TOLERANCING PER ASME Y14.5M-1994.
 - DATE CODE & FOXCONN LOGO POSITION APPROXIMATELY, LARGER MARK
 - MATERIAL:
 - BACK PLATE: CARBON STEEL W/ Ni PLATING OVERALL
 - STUD: CARBON STEEL W/ Ni PLATING OVERALL
 - INSULATOR: PLASTIC PC
 5. HARMFUL MATERIAL CONTROL PLEASE FOLLOW DOC. NO. "EPI12".
 6. THE CONCENTRATIONS OF Br AND Cl CAN SATISFY THE REQUIREMENT OF HALOGEN-FREE IN THE DOCUMENT "EPI12".
 7. PLEASE CONTACT FOXCONN SALES REPRESENTATIVE TO VERIFY PRODUCT DETAIL AND AVAILABILITY.



| | |
|--------------|-------------------|
| PT44P11-4801 | SKX-EP BACK PLATE |
| PART NUMBER | DESCRIPTION |

| | | | | | |
|--|-----------|--------|----------------|--------------------------------|---|
| X. ± | X. ° ± 1° | UNITS | mm | NAME<INTENDED USE> | FOXCONN® FOXCONN INTERCONNECT TECHNOLOGY LIMITED. |
| . X ± 0.50 | . X ° ± | MAT'L | | PART NO.<INTENDED USE> | |
| . XX ± 0.30 | . XX ° ± | FINISH | | Q'TY | PT44P11-4801 |
| . XXX ± | . XXX ° ± | | APPD: Nick Lin | | DWG NO.: |
| THESE DRAWINGS AND SPECIFICATIONS ARE THE PROPERTY OF FOXCONN INTERCONNECT TECHNOLOGY LIMITED AND SHALL NOT BE REPRODUCED COPIED OR USED IN ANY MANNER WITHOUT THE PRIOR WRITTEN CONSENT OF FOXCONN INTERCONNECT TECHNOLOGY LIMITED. | | | | CHKD: Dickie Huang Mac Peng | 351-0000-1386 |
| | | | | DR: Garnett Wu 10/20'16 | |
| | | | | | 1: 1 1/2 B |

| | | |
|------|----------|-------|
| REV. | ECN. NO. | APPD. |
| | | |



| KOZ LEGEND | |
|------------|--|
| | BACK PLATE ZONE, NO OTHER COMPONENT PLACEMENT ALLOWED, 0.0 MM HEIGHT RESTRICTION |
| | SECONDARY SIDE SOCKET CAVITY AND COMPONENT ZONES, 1.8 MM MAX COMPONENT HEIGHT |

RECOMMENDED PCB LAYOUT (VIEWED FROM PCB SECONDARY SIDE)

| | | | | | | | | | | |
|--|-----------|----------|--------------------------|---|---------------|-------|------|------|-----|---|
| X, ± | X: ° ± 1° | UNITS mm | NAME (INTENDED USE) | FOXCONN® FOXCONN INTERCONNECT TECHNOLOGY LIMITED. | | | | | | |
| . X ± 0.25 | . X ° ± | MAT'L | SKX-EP BACK PLATE | | | | | | | |
| . XX ± 0.13 | . XX ° ± | FINISH | PART NO. (INTENDED USE) | CLASS: <input type="checkbox"/> CONFIDENTIAL <input type="checkbox"/> SECRET <input checked="" type="checkbox"/> GENERAL | | | | | | |
| . XXX ± | . XXX ° ± | | PT44P11-4801 | TITLE: SKX-EP NARROW BACK PLATE | | | | | | |
| THESE DRAWINGS AND SPECIFICATIONS ARE THE PROPERTY OF FOXCONN INTERCONNECT TECHNOLOGY LIMITED AND SHALL NOT BE REPRODUCED COPIED OR USED IN ANY MANNER WITHOUT THE PRIOR WRITTEN CONSENT OF FOXCONN INTERCONNECT TECHNOLOGY LIMITED. | | | APPD: Nick Lin | DWG NO.: | | | | | | |
| | | | Q' TY | CHKD: Dickie Huang Mac Peng | 351-0000-1386 | | | | | |
| | | | DR: Garnett Wu 10/12' 16 | <table border="1"> <tr> <td>SCALE</td> <td>SHEET</td> <td>REV.</td> </tr> <tr> <td>1: 1</td> <td>2/2</td> <td>B</td> </tr> </table> | SCALE | SHEET | REV. | 1: 1 | 2/2 | B |
| SCALE | SHEET | REV. | | | | | | | | |
| 1: 1 | 2/2 | B | | | | | | | | |