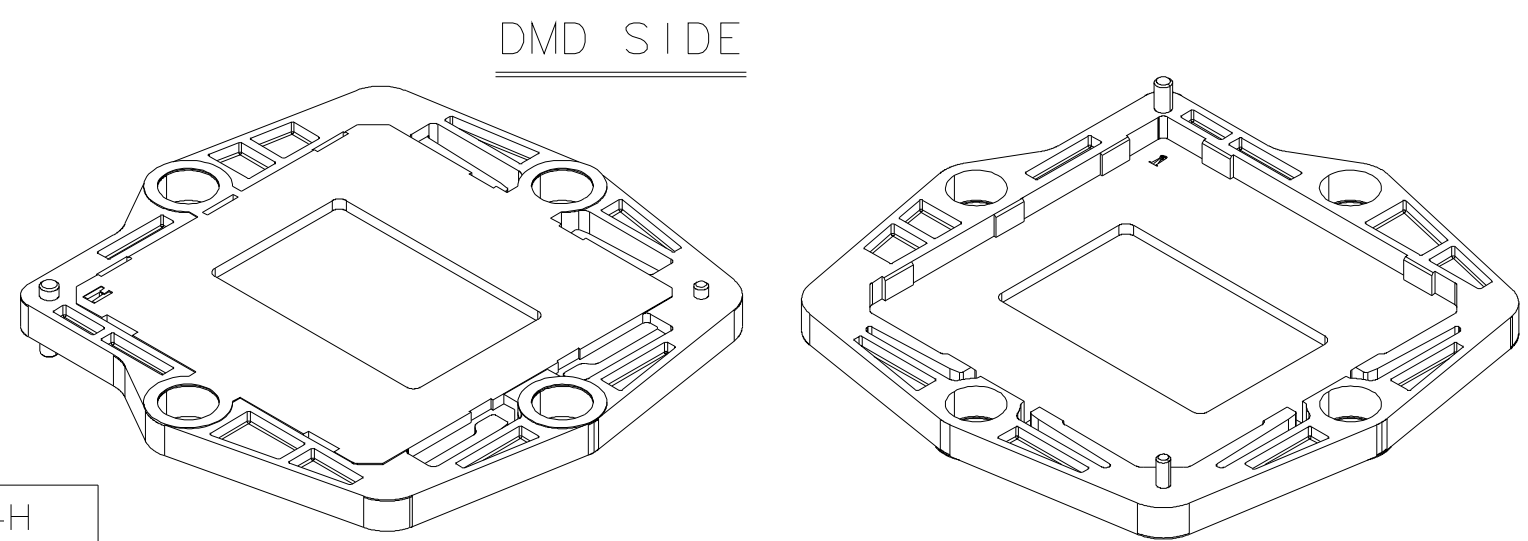
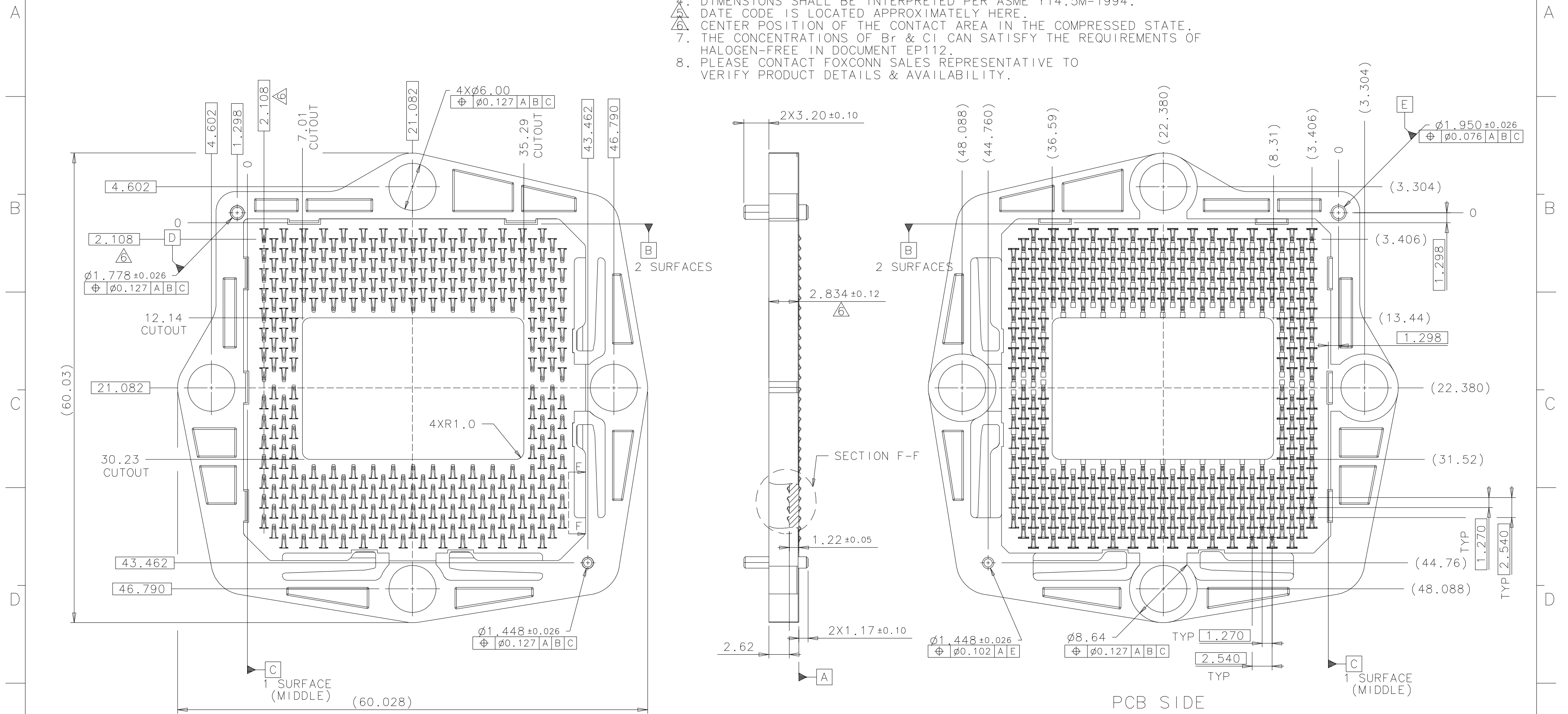



IDEAS GENERATED DRAWING, DON'T CHANGE BY HAND.

- NOTES:
1. MATERIAL: HOUSING PEI, UL 94V-0  
CONTACT BeCu  
PLATING 3u" MIN. Au PLATING ON CONTACT AREA  
60u" MIN. Ni PLATING OVERALL
  2. THICKNESS 1.22mm AFTER COMPRESSION
  3. RECOMMENDED CONNECTOR LOADING FORCE: 10KG MIN.
  4. DIMENSIONS SHALL BE INTERPRETED PER ASME Y14.5M-1994.
  5. DATE CODE IS LOCATED APPROXIMATELY HERE.
  6. CENTER POSITION OF THE CONTACT AREA IN THE COMPRESSED STATE.
  7. THE CONCENTRATIONS OF Br & Cl CAN SATISFY THE REQUIREMENTS OF HALOGEN-FREE IN DOCUMENT EP112.
  8. PLEASE CONTACT FOXCONN SALES REPRESENTATIVE TO VERIFY PRODUCT DETAILS & AVAILABILITY.

REV.	ECN. NO.	APPD.
X1	BS-18-*****	Simon Szu

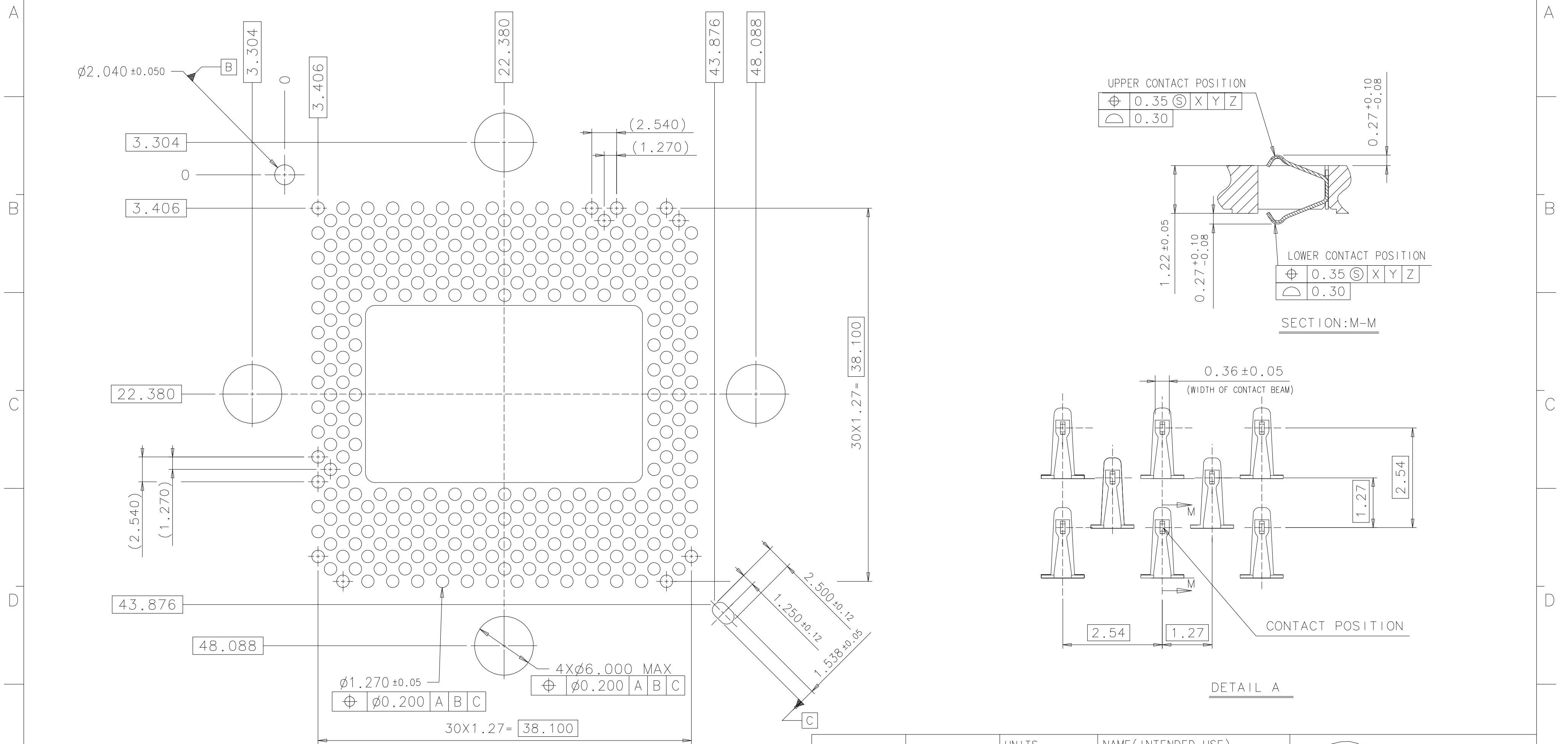



PL03051-\*\*-ZZ1-4H  
PART NUMBER

X.±	X.°± 1°	UNITS	NAME (INTENDED USE)	 FOXCONN INTERCONNECT TECHNOLOGY LIMITED.
.X± 0.20	.X°±	MM	DMD LGA/LGA CONNECTOR SERIES	
.XX± 0.10	.XX°±	MAT'L	PART NO. (INTENDED USE)	CLASS: <input type="checkbox"/> CONFIDENTIAL <input type="checkbox"/> SECRET <input checked="" type="checkbox"/> GENERAL
.XXX±	.XXX°±	FINISH	APPD: Nick Lin	TITLE: CUSTOMER DRAWING FOR LGA305 CONNECTOR
THESE DRAWINGS AND SPECIFICATIONS ARE THE PROPERTY OF FOXCONN INTERCONNECT TECHNOLOGY LIMITED, AND SHALL NOT BE REPRODUCED, COPIED OR USED IN ANY MANNER WITHOUT THE PRIOR WRITTEN CONSENT OF FOXCONN INTERCONNECT TECHNOLOGY LIMITED.		Q'TY	CHKD: Simon Szu	DWG NO.: 351-0000-1479
			DRAW: Bono Liao 3/8'18	SCALE SHEET REV. N/A 1/2 X1

IDEAS GENERATED DRAWING, DON'T CHANGE BY HAND.

REV.	ECN. NO.	APPD.



X.±	X.°± 1°	UNITS	NAME (INTENDED USE)	 FOXCONN INTERCONNECT TECHNOLOGY LIMITED.
.X± 0.20	.X°±	MM	DMD LGA/LGA CONNECTOR SERIES	
.XX± 0.10	.XX°±	MAT'L	PART NO. (INTENDED USE)	CLASS: <input type="checkbox"/> CONFIDENTIAL <input type="checkbox"/> SECRET <input checked="" type="checkbox"/> GENERAL
.XXX±	.XXX°±	FINISH	APPD: Nick Lin	TITLE: CUSTOMER DRAWING FOR LGA305 CONNECTOR
THESE DRAWINGS AND SPECIFICATIONS ARE THE PROPERTY OF FOXCONN INTERCONNECT TECHNOLOGY LIMITED, AND SHALL NOT BE REPRODUCED, COPIED OR USED IN ANY MANNER WITHOUT THE PRIOR WRITTEN CONSENT OF FOXCONN INTERCONNECT TECHNOLOGY LIMITED.		Q'TY	CHKD: Simon Szu	DWG NO.: 351-0000-1479
			DRAW: Bono Liao 3/8'18	SCALE: N/A
				SHEET: 2/2
				REV. X1