

SPECIFICATIONS

Mechanical

Mating Force: 3.5kg (7.7Lb) max.
Unmating Force: 0.9kg (2Lb) min.
Durability : 500 Cycles

Electrical

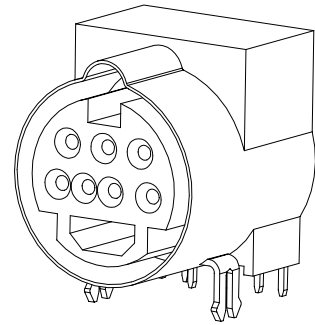
Voltage Rating: 12V max.
Current Rating: 2A max.
Contact Resistance: 30mΩ max.
Dielectric Withstanding Voltage: 750V.
Insulation Resistance: 1000MΩ

Physical

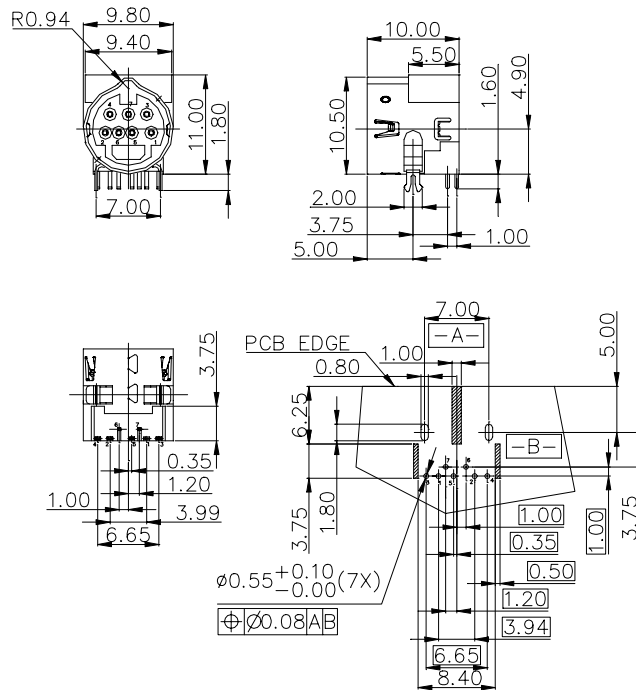
Housing: Thermoplastic, UL 94V-0
Contact: Copper alloy
Plating: See "ORDERING INFORMATION"
Metal Spring: Copper alloy
Operating Temperature: -55 to +105

MINI DIN Connector

MH Series
Round Type, T/H Type
7 Pos.



DRAWING



RECOMENDED PC BOARD LAYOUT

ORDERING INFORMATION

PRODUCT NO.: MH11777-U7-FR

| | | | |
|-----------------|-----------------------|----------------------|------------------------------|
| Series Code | MH=Mini-din | Packing Code | R=Tape Reel |
| Terminator Type | 1=Through Hole R/A | Lead Free Code | F=For Lead Free |
| Contact Type | 1=Receptacle&Stamping | Charactor Code | U7=Round Type With Top Plane |
| Body Type | 7=Short Body | Contact AREA Plating | 7=15u" |
| No. Of Pos. | 7=7 Pos. | | |