

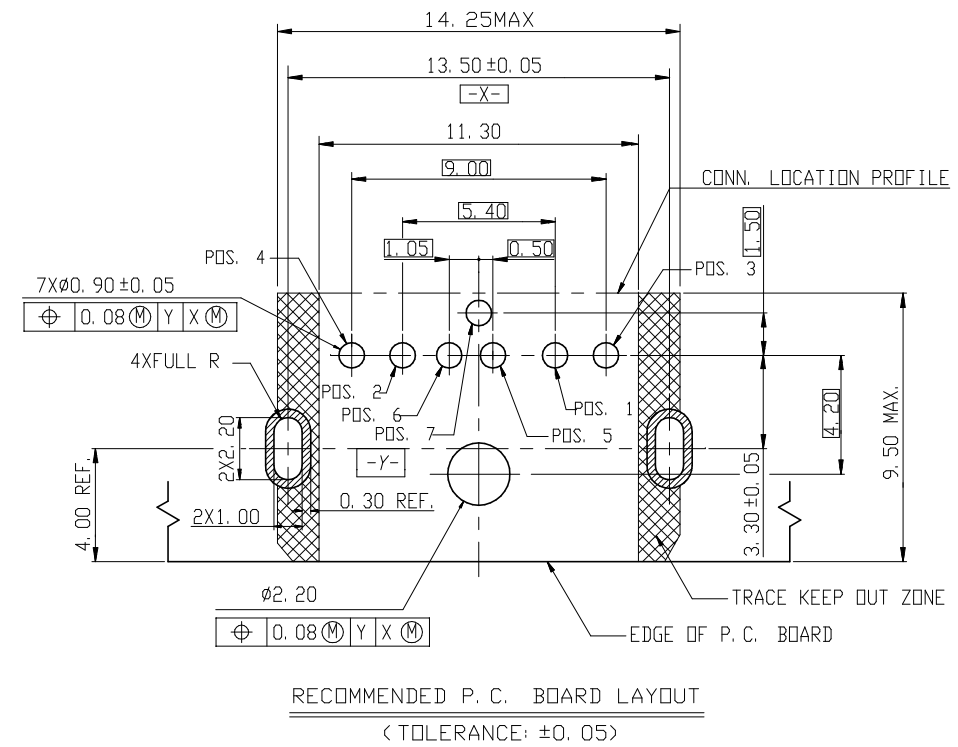
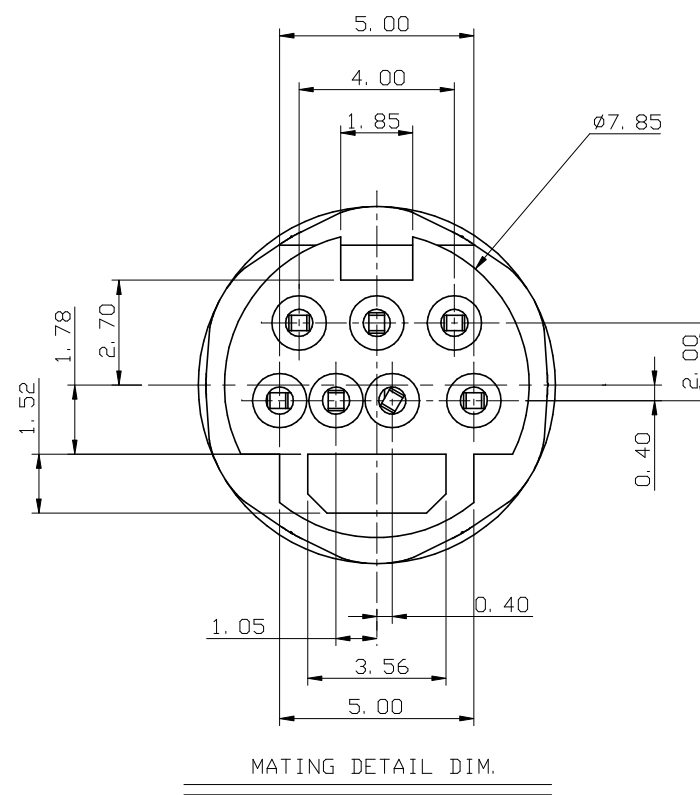
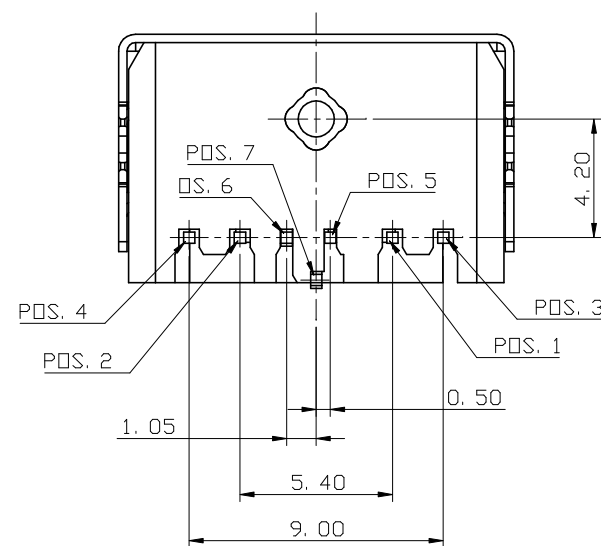
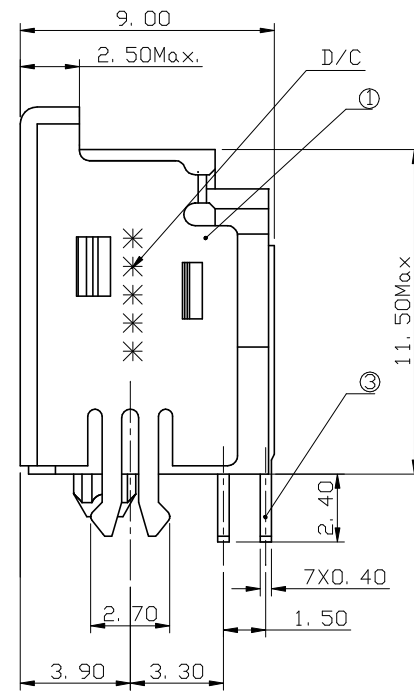
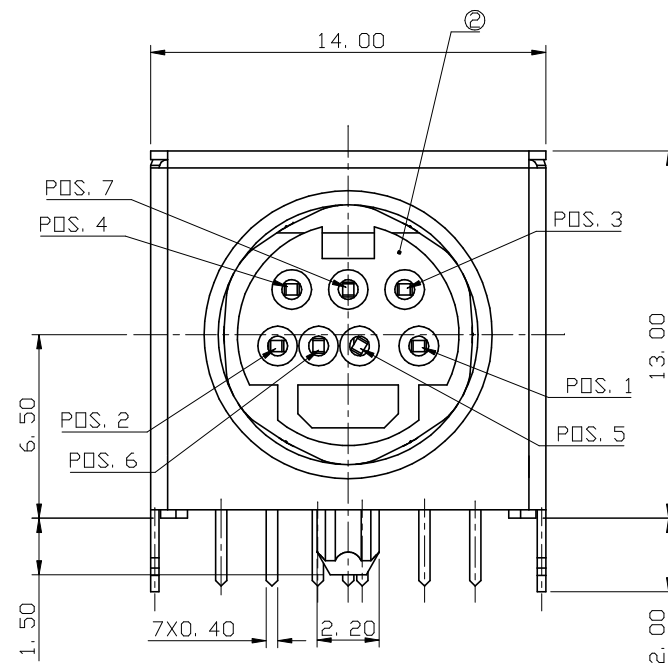
IDEAS GENERATED DRAWING. DON'T CHANGE BY HAND.

REV.	ECN. NO.	APPD.
A	HC-04-11875	Joel

NOTES:

- MECHANICAL CHARACTERISTICS:
  - CONNECTOR MATING FORCE: 4.0Kgf MAX.
  - CONNECTOR UNMATING FORCE: 0.9Kgf~4.0Kgf .
- ELECTRICAL CHARACTERISTICS:
  - CONTACT RESISTANCE: 30 mOHMS MAX.
  - INSULATION RESISTANCE: 1000 MOHMS MIN.
  - DIELECTRIC WITHSTANDING VOLTAGE: 750 VAC RMS 60 SEC AT SEA LEVEL.
- OPERATING TEMPERATURE: -55°C TO +105°C.
- PCB THICKNESS: 1.20mm.

M H 1 1 7 7 7-B F Z N-A F  
 MINI DIN THROUGH HOLE RECEPTACLE TYPE SHORT BODY 7 PINS GOLD PLATING 7: 15u"  
 FOR LEAD FREE TUBE NO FOR 'S-VIDED'. FOR 1.20mm P. C. B. HOOK TYPE BLACK



ITEM	DESCRIPTION	Q'TY	MATERIAL	TREATMENT
③	CONTACT	7	COPPER ALLOY	Ni PALTE OVER ALL; Sn PLATE AT TAIL AREA; Au PLATE AT CONTACT AREA;
②	HOUSING	1	THERMOPLASTIC UL 94V-0	MOLDED COLOR: BLACK
①	SHELL	1	COPPER ALLOY	NICKEL PLATED & TIN PLATING AT HOOK

X.±	X°.±	UNITS	mm	NAME (INTENDED USE)	FOXCONN
.X± 0.38	.X°.±	MAT'L		SHORT BODY MINI-DIN 7P. RECEPTACLE CONNECTOR	HON HAI PRECISION IND. CO., LTD. TAIPEI, TAIWAN, R.O.C.
.XX± 0.25	.XX°.±			PART NO. (INTENDED USE) MH11777-BF7N-AF	TITLE: CUSTOMER DRAWING
.XXX±	.XXX°.±	FINISH		APPD: Joel 12/25'04	DWG NO.: 313-0000-1068
THESE DRAWINGS AND SPECIFICATIONS ARE THE PROPERTY OF HON HAI PRECISION IND. CO., LTD. AND SHALL NOT BE REPRODUCED COPIED OR USED IN ANY MANNER WITHOUT THE PRIOR WRITTEN CONSENT OF HON HAI PRECISION IND. CO., LTD.				Q'TY	CHKD: ZS Wang 12/23'04
				DR: ZF Wu 12/22'04	SCALE SHEET REV. 1/1 A