

SPECIFICATIONS

Mechanical

Contact Retention Force: 0.3kg min.
Mating Force: 90 g max. Per Contact Pair
Unmating Force: 15g min. Per Contact Pair
Durability: 500 Cycles

Electrical

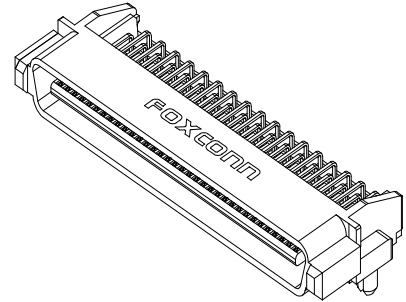
Voltage Rating: 30V
Current Rating: 1.0A
Contact Resistance: 30mW max.
Dielectric Withstanding Voltage: 500V AC
Insulation Resistance: 1000MW min.

Physical

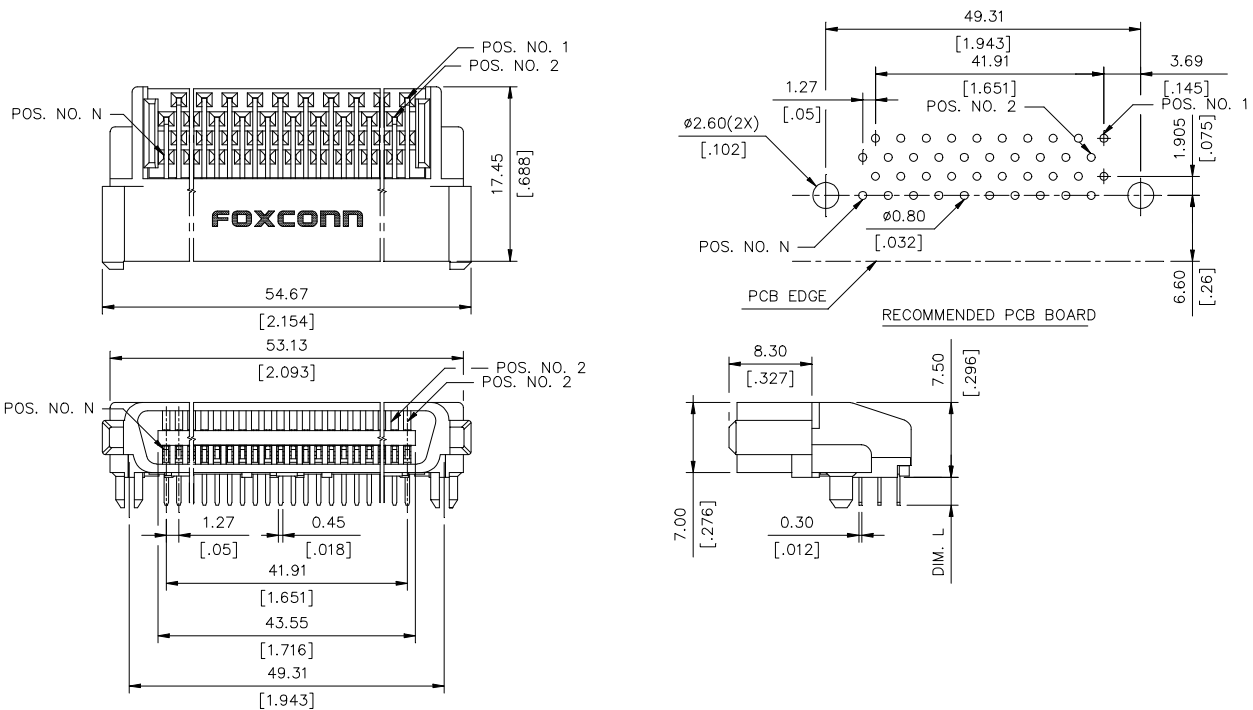
Housing: Thermoplastic, UL 94V-0 rated in Black Color
Contact: Phosphor Bronze
Plating: See "ORDERING INFORMATION"
Operating Temperature: -40 to +105

FBI Connector

LZ14 Series
Right Angle, T/H Type
Plug
1.27mm [.050"] Pitch
68 Pos



DRAWING



ORDERING INFORMATION

PRODUCT NO.: LZ 1 4 3 4 * - M 2 4

FBI ————
 PLUG ————
 No. Of Pos ————
 34=68 Pos

Termination Side
 4=4 Rows
 Tail Length
 2: DIM. L=2.80 mm
 Contact Area Plating
 3=30u" Gold
 H=30u" Gold With RoHS Compliance