

SPECIFICATIONS

Mechanical

Contact retention Force: 0.3kg min.
Mating Force: 90g max. Per Contact Pair
Unmating Force: 15g min. Per Contact Pair
Durability: 500 Cycles

Electrical

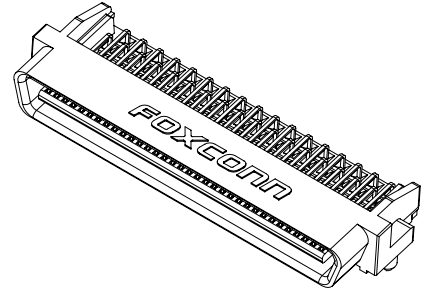
Voltage Rating: 30V
Current Rating: 1.0A
Contact Resistance: 30mΩ max.
Dielectric Withstanding Voltage: 500V AC
Insulation Resistance: 1000MΩ

Physical

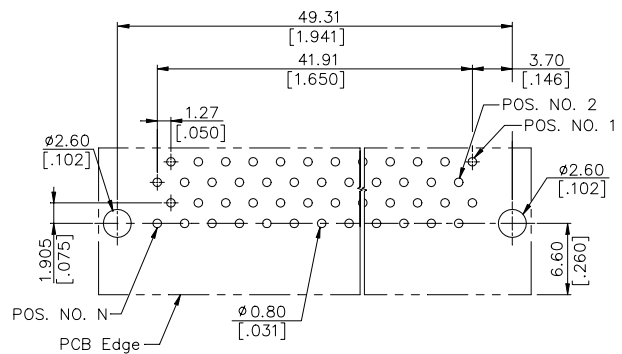
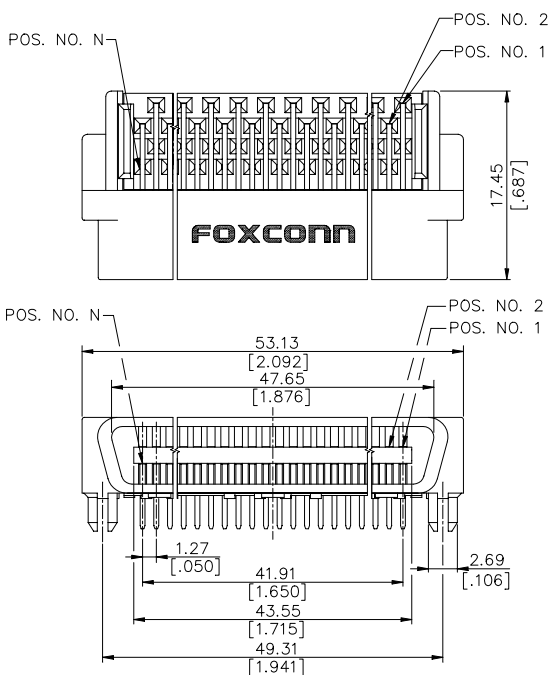
Housing and Spacer: Thermoplastic, UL 94V-0 rated in Black Color
Contact: Phosphor Bronze
Plating: See "ORDERING INFORMATION"
Operating Temperature: -40°C to +105°C

FBBI Connector

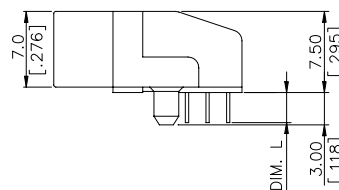
LZ14 Series
Right Angle, T/H Type
Plug
1.27mm [.050"] Pitch
68 Pos.



DRAWING



RECOMMENDED P.C.B. LAYOUT



ORDERING INFORMATION

PRODUCT NO.: LZ 14 34 3 - E 2 4

| | |
|-------------|----------------------|
| FBBI | Termination Side |
| PLUG | 4=4 Rows |
| No. of Pos. | Tail Length: |
| 34=68 Pos. | 2: DIM. L=2.80 mm |
| | Contact Area Plating |
| | 3=30u" Gold |