

**SPECIFICATIONS**

**Mechanical**

**Contact Retention Force:** 0.454 kgf min.  
**Mating Force:** 90G max Per Contact Pair.  
**Unmating Force:** 15G min Per Contact Pair.  
**Durability:** 500 Cycles.

**Electrical**

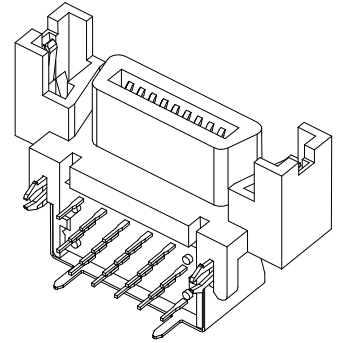
**Voltage Rating:** 30V.  
**Current Rating:** 1.0A per pin max.  
**Contact Resistance:** 30mW max.  
**Dielectric Withstanding Voltage:** 500V AC.  
**Insulation Resistance:** 1000MW min.

**Physical**

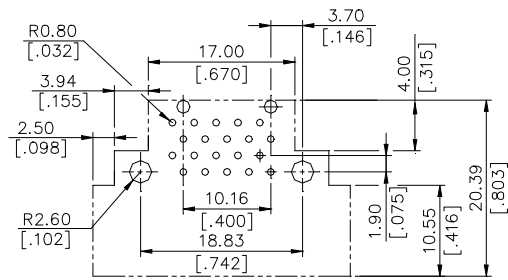
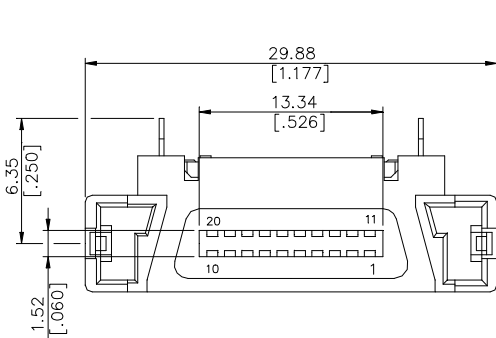
**Housing:** Thermoplastic, UL 94V-0 rated in Black Color  
**Contact:** Copper alloy  
**Plating:** See "ORDERING INFORMATION"  
**Operating Temperature:** -40 to +105

**SCA-II Connector**

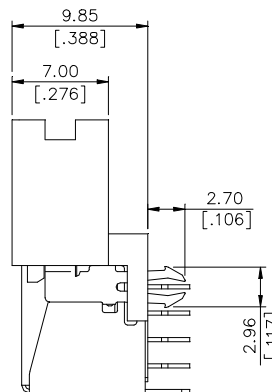
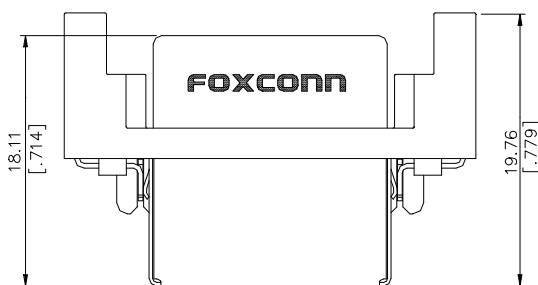
**LS Series**  
**Straddle mount, SMT**  
**Receptacle**  
**1.27mm [.050"] Pitch**  
**20 Pos.**



**DRAWING**



RECOMMENDED PCB LAYOUT



**ORDERING INFORMATION**

**PRODUCT NO.:** L S 2 4 10 \* - B 3 4

SCA II  
 Receptacle  
 Moutig End Type  
 6= R/A,T/H  
 Pos.  
 10 = 20 Pos  
 Contact Area Plating  
 3 = 30 u" Gold  
 H = 30u"Gold with RoHS COMPLIANCE

Termination Side  
 4=4 ROWS  
**TAIL LENGTH:**  
 1: K=1.78 mm  
 3: K=3.18 mm  
 4: K=4.06 mm  
 B: Extended Height  
 C: Standard Height