

SPECIFICATIONS

Mechanical

Contact Retention Force: 0.454 kgf min.
Mating Force: 90G max Per Contact Pair.
Unmating Force: 15G min Per Contact Pair.
Durability: 500 Cycles.

Electrical

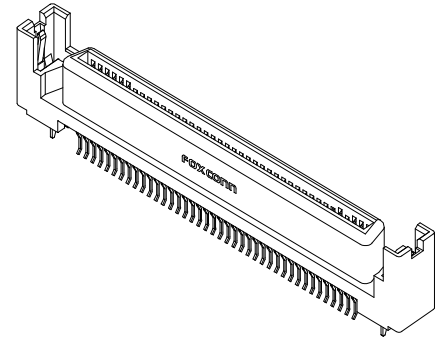
Voltage Rating: 30V.
Current Rating: 1.0A per pin max.
Contact Resistance: 30mW max.
Dielectric Withstanding Voltage: 500V AC.
Insulation Resistance: 1000MW min.

Physical

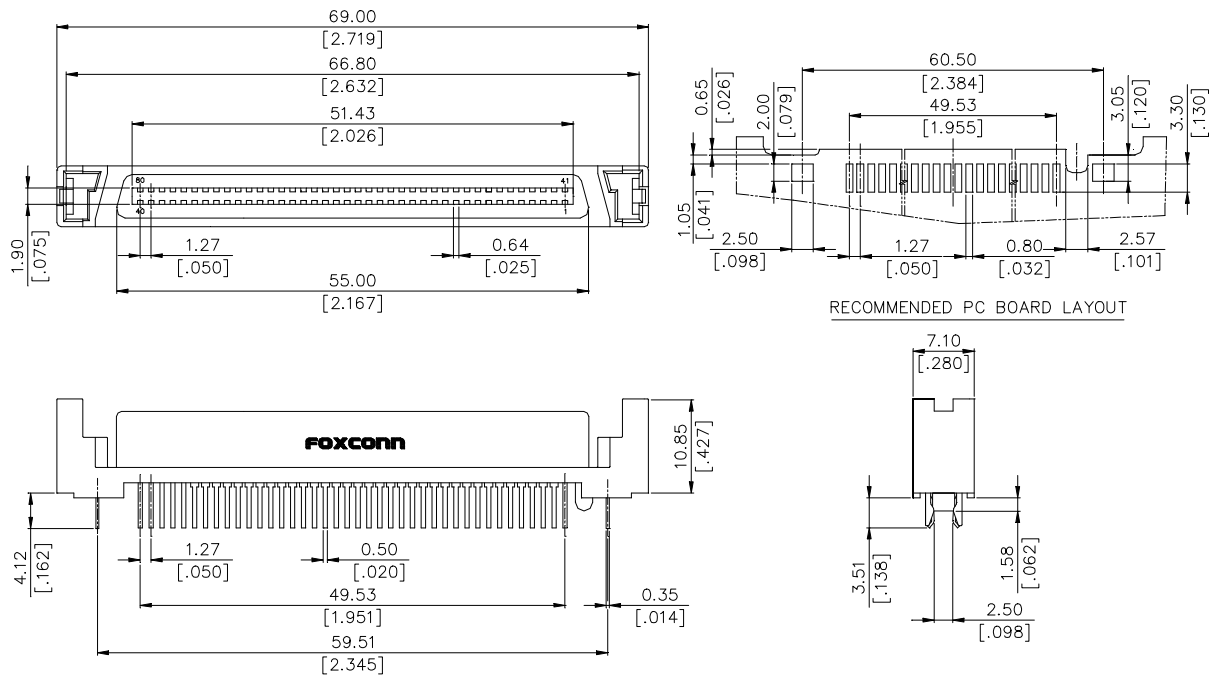
Housing: Thermoplastic, UL 94V-0 rated in Black Color
Contact: Copper alloy
Plating: See "ORDERING INFORMATION"
Operating Temperature: -40 to +105

SCA-II Connector

LS Series
Straddle mount, SMT
Receptade
1.27mm [.050"] Pitch
80 Pos.



DRAWING



ORDERING INFORMATION

PRODUCT NO.: L S 2 3 40 * - C 3 2

SCA II _____
 Receptade _____
 Moutig End Type _____
 6=STRADDLE
 Pos. _____
 40 = 80 Pos

Modification Code
 Contact Area Plating
 3 = 30 u" Gold
 H = 30u"Gold with RoHS COMPLIANCE