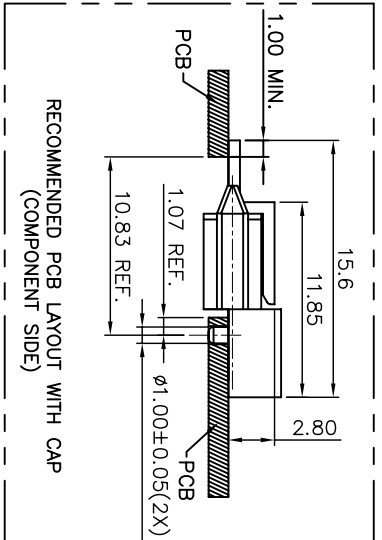
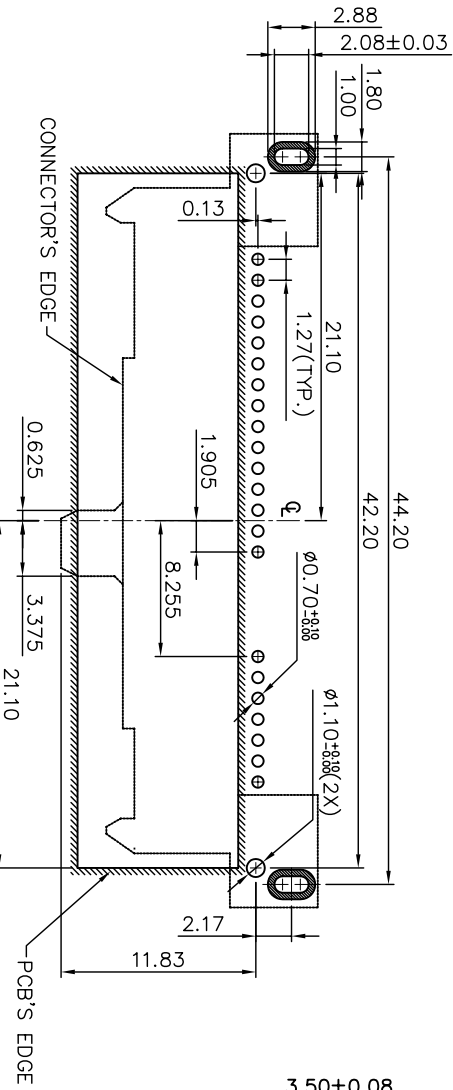
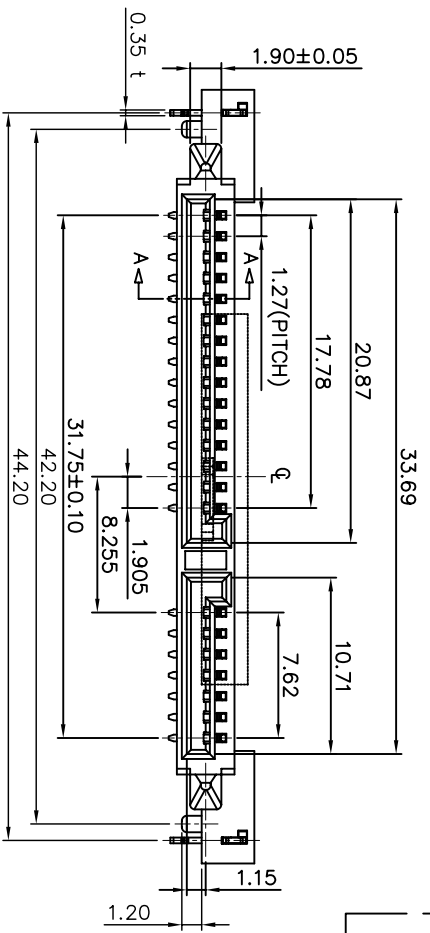
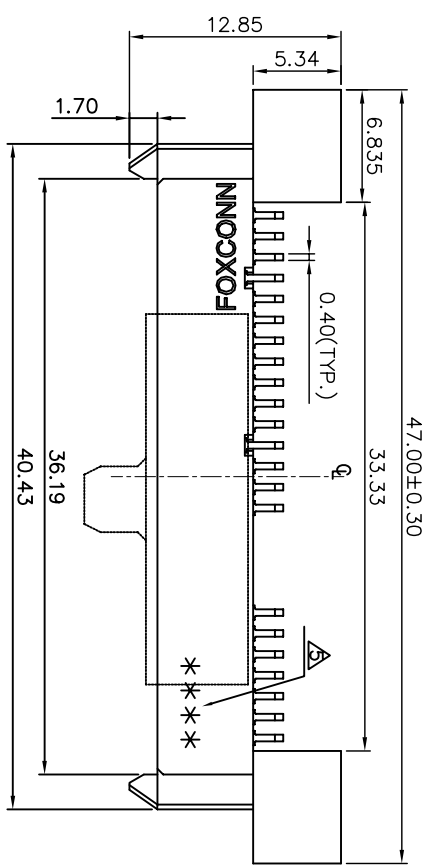


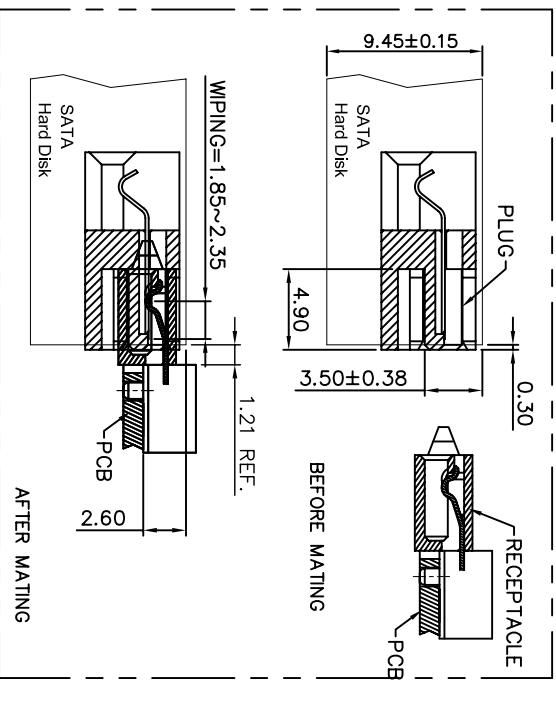
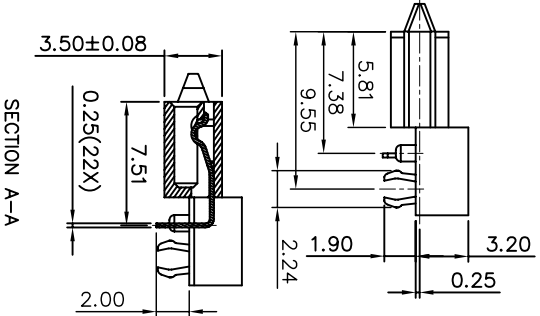
REV.	ECN. NO.	APPD.
A	BC077002325	Joke.w.y

47.00±0.30



- NOTES:
1. DIMENSION SHALL BE INTERPRETED PER ANSI Y14.5M-1994
 2. ALL DIMENSIONS ARE MILLIMETERS.
 3. SPEC. OF PROD. ARE SHOWN ON DRAWING 303-0300-****
 4. MATERIALS OF PARTS ARE SHOWN ON DRAWING 303-0500-****
 5. DATE CODE IS IN THIS POSITION.
 6. HARMFUL MATERIAL CONTROL PLEASE FOLLOW DOC. NO. "EP112"
 7. PLEASE CONTACT FOXCONN SALES REPRESENTATIVE TO VERIFY PRODUCT DETAILS & AVAILABILITY.
 8. PRODUCT NO. MATRIX:

LD 2 7 22 * - S 4 D L 6	PACKAGE TYPE
LD 2 7 22 * - S 4 D L 6	6 : T&R & CAP
LD 2 7 22 * - S 4 D L 6	HOUSING MATERIAL
LD 2 7 22 * - S 4 D L 6	L : LOP
LD 2 7 22 * - S 4 D L 6	DEVELOP SERIES NO.
LD 2 7 22 * - S 4 D L 6	4 : REVERSE TYPE.
LD 2 7 22 * - S 4 D L 6	S : SERIAL ATA TYPE
- MATING AREA PLATING:
 F: GOLD FLASH WITH LEAD FREE
 H: 30U" GOLD WITH LEAD FREE
 V: 15U" GOLD WITH LEAD FREE



X±	X± 2'
X±0.25	X±
.XX± 0.15	.XX±
XXX±0.10	XXX±

UNITS	mm
MATL	
FINISH	
QTY	
NAME:	FOXCONN
SERIAL ATA	HON HAI PRECISION IND. CO.,LTD.
	TAIPEI, TAIWAN, R.O.C.
PART NO.:	LD2722*-S4DL6
TITLE:	CUSTOMER DRAWING
SATA, 22 POS, R/A, T/H	
DWG NO.:	303-0000-1792
APPD:	Joke.w.y
CHKD:	
DR:	Jandason yong 2/207
SCALE SHEET	N/A
REV.	1/1

RECOMMENDED PCB LAYOUT
 PCB THICKNESS = 1.20mm (TOLERANCE=±0.05mm)