

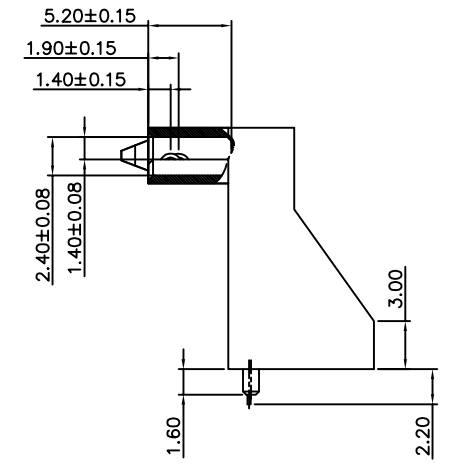
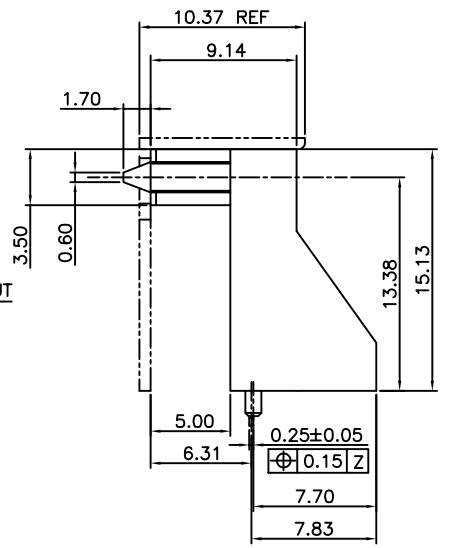
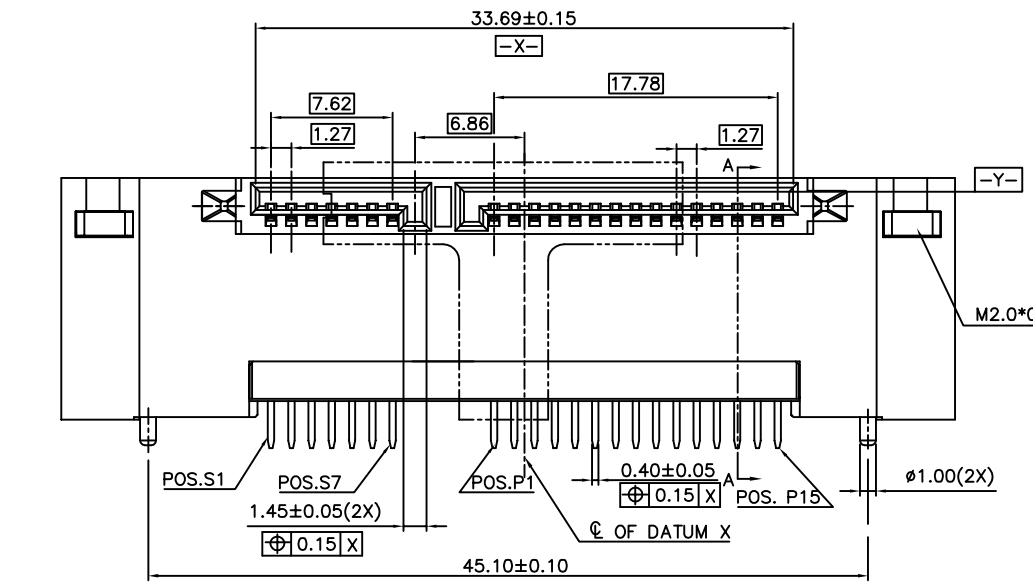
- NOTES:
1. DIMENSION SHALL BE INTERPRETED PER ASME Y14.5M-1994.
 2. ALL DIMENSIONS ARE MILLIMETERS.
 3. SPEC. OF PROD. ARE SHOWN ON DRAWING 303-0300-1740
 4. MATERIALS OF PARTS ARE SHOWN ON DRAWING 303-0500-1740
 5. DATE CODE: PLEASE REFER TO FOXCONN'S DOC. "SQ-3B0-070".
 6. THE FOXCONN LOGO IS LOCATED APPROX. AS SHOWN.
 7. HARMFUL MATERIAL CONTROL PLEASE FLOW FOXCONN'S DOC. "EPI12".
 8. PLEASE CONTACT FOXCONN SALES REPRESENTATIVE TO VERIFY PRODUCT DETAILS & AVAILABILITY.
 9. THE CONCENTRATIONS OF Br&Cl CAN SATISFY THE REQUIREMENT OF HALOGEN-FREE IN DOCUMENT "EPI12".
 10. PRODUCT NO. MATRIX: LD 2 7 22 * - S O B L 7 *

REV.	ECN.	NO.	APPD.
A	BC07709197		Jake.W.Y
B	BC087047820		Yusan
C	BC-09-7074009		Yihsin Chen

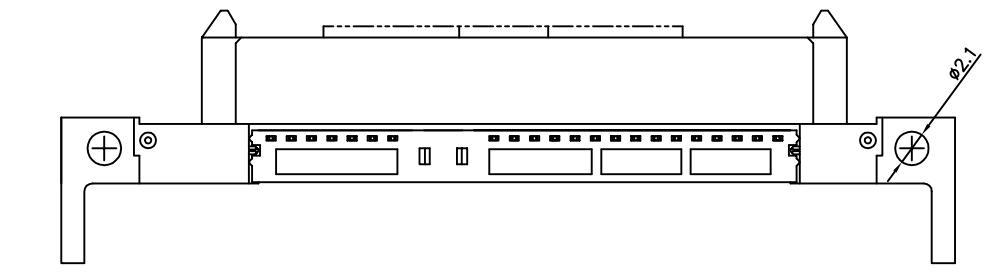
LD 2 7 22 * - S O B L 7 *

DEVICE BAY & SERIAL ATA
 MATING END TYPE 2 = RECEPTACLE
 MOUNTING END TYPE 7 = T/H,R/A
 NO. OF POS. 22= 22 POS.

H : FREE HALOGEN & LEAD FREE
 NONE: ROHS COMPLIANCE
 PACKING TYPE: 7=CAP&TRAY
 MATERIAL CODE: L=LCP
 MODIFICATION CODE
 NORMAL TYPE
 S-ATA SERIES
 CONTACT AREA PLATING.
 F = GOLD FLASH WITH ROHS COMPLIANCE
 H = 30u" GOLD WITH ROHS COMPLIANCE
 V = 15u" GOLD WITH ROHS COMPLIANCE
 J = 10u" GOLD WITH ROHS COMPLIANCE

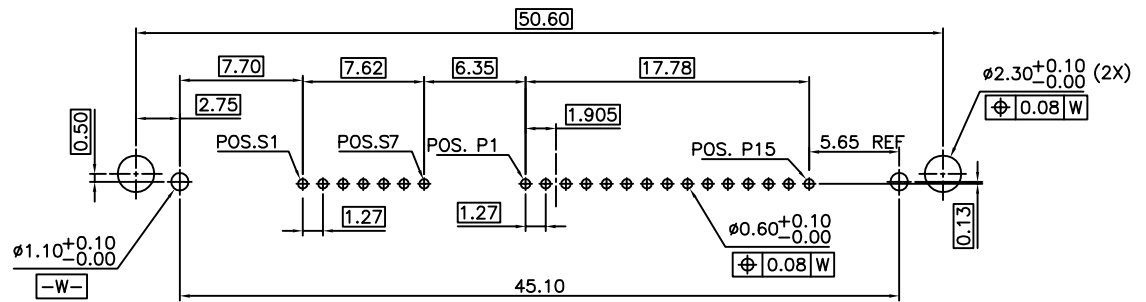
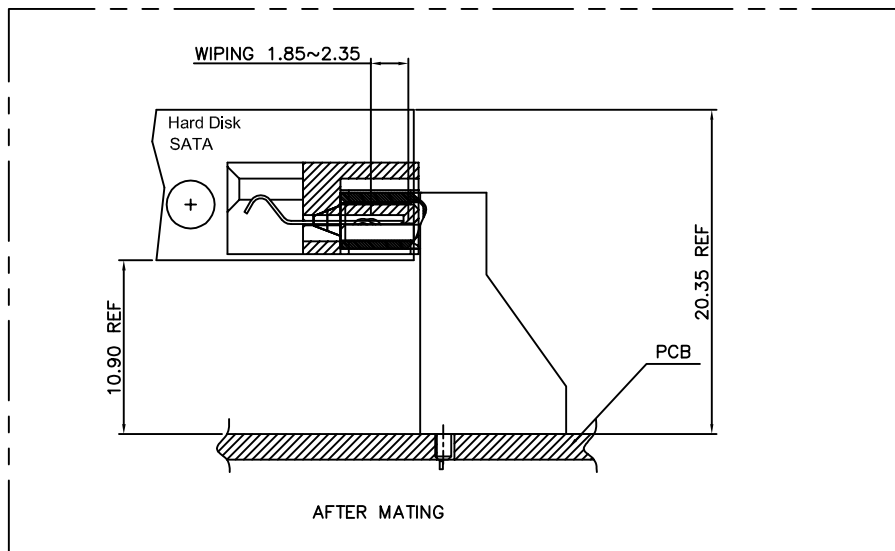
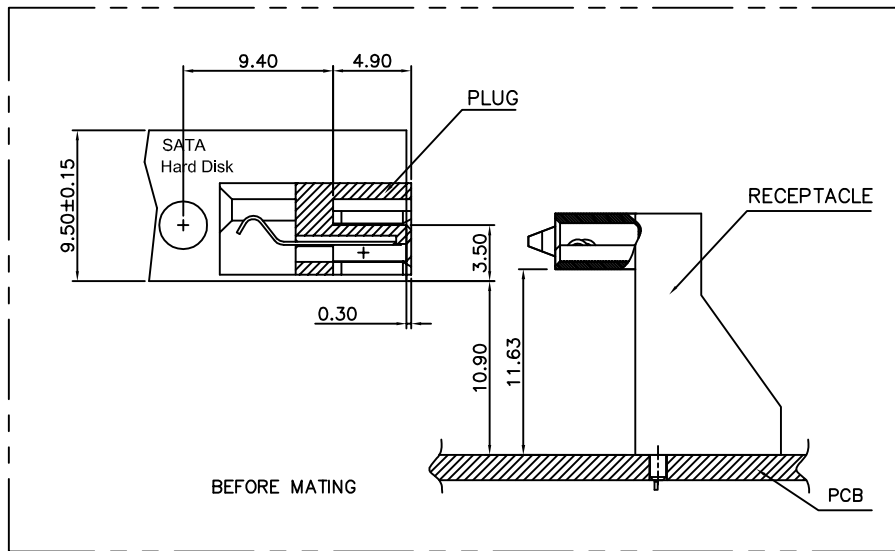


SECTION A-A



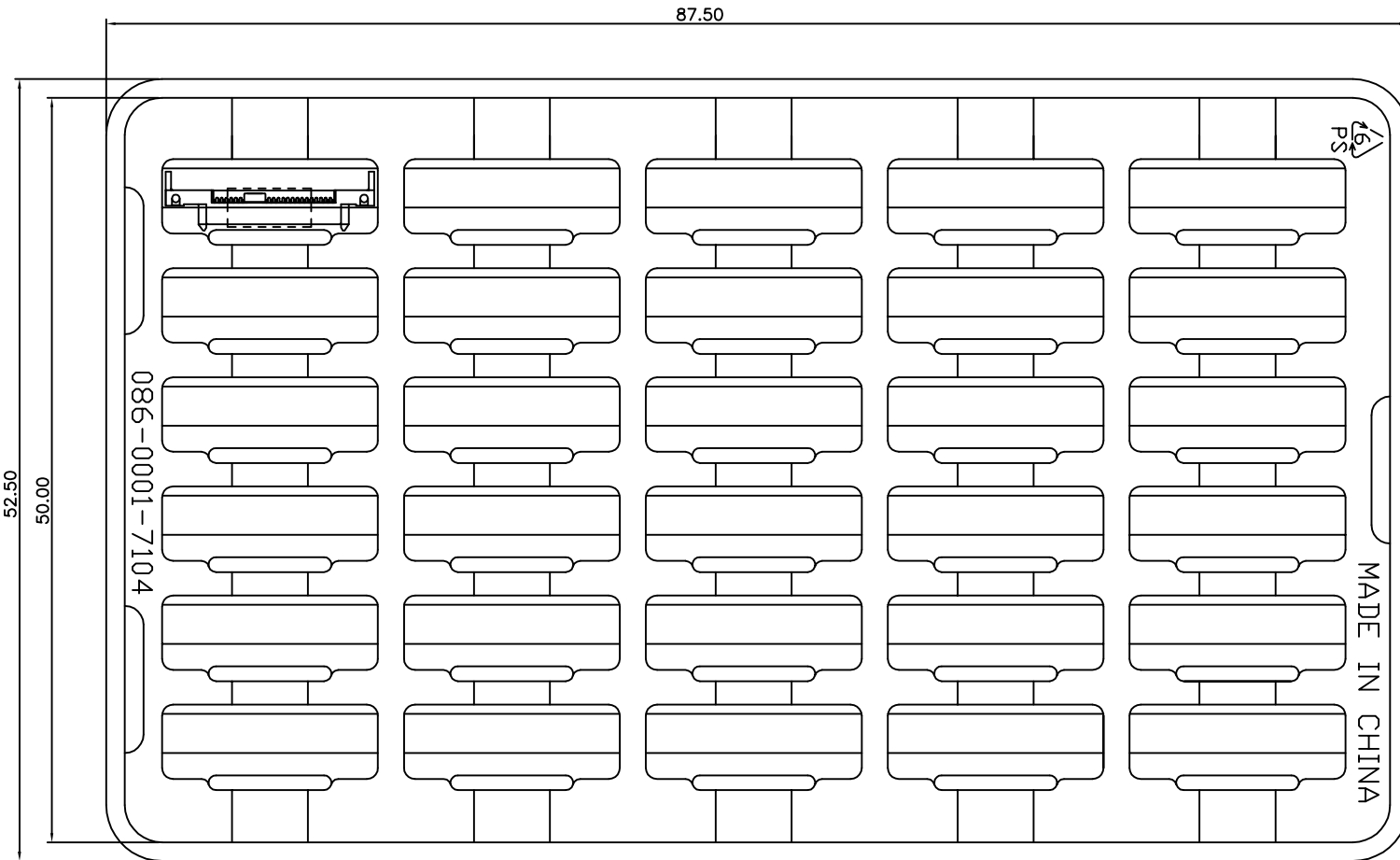
X.±		X'± 1"		UNITS	mm	NAME (INTENDED USE)	LD2722*-SOBL7*
.x± 0.30		.x'±		MAT'L		SERIAL ATA	FOXCONN HON HAI PRECISION IND. CO.,LTD. TAIPEI, TAIWAN, R.O.C.
.xx± 0.20		.xx'±		FINISH		PART NO.(INTENDED USE)	TITLE: CUSTOMER DRAWING
.xxx± 0.15		.xxx'±		Q'TY		LD2722*-SOBL7*	RECEPTACLE, 22 POS,R/A,T/H
THESE DRAWINGS AND SPECIFICATIONS ARE THE PROPERTY OF HON HAI PRECISION IND. CO., LTD. AND SHALL NOT BE REPRODUCED, COPIED OR USED IN ANY MANNER WITHOUT THE PRIOR WRITTEN CONSENT OF HON HAI PRECISION IND. CO., LTD.						APPD: Yihsin Chen	DWG NO.: 303-0000-1740
						CHKD: Wolfe Liu	SCALE SHEET REV. N/A 1/3 CX1
						DR: Denis Zhu 5/31'11	

P/N LD2722*-SOBL7*



x.±	x'± 1'	UNITS mm	NAME(NTENDED USE)	FOXCONN
.x± 0.30	.x'±	MAT'L	SERIAL ATA	HON HAI PRECISION IND. CO.,LTD. TAIPEI, TAIWAN, R.O.C.
.xx± 0.20	.xx'±	FINISH	PART NO.(INTENDED USE)	TITLE: CUSTOMER DRAWING
.xxx± 0.15	.xxx'±		LD2722*-SOBL7*	RECEPTACLE,22 POS,R/A,T/H
THESE DRAWINGS AND SPECIFICATIONS ARE THE PROPERTY OF HON HAI PRECISION IND. CO., LTD. AND SHALL NOT BE REPRODUCED, COPIED OR USED IN ANY MANNER WITHOUT THE PRIOR WRITTEN CONSENT OF HON HAI PRECISION IND. CO., LTD.			APPD: Yhsin Chen	DWG NO.: 303-0000-1740
			CHKD: Wolfe Liu	
			DR: Denis Zhu 5/31'11	SCALE SHEET REV. N/A 2/3 CX1

REV.	ECN.	NO.	APPD.



LD2722*-SOBL7*	30PCS/TRAY 210PCS/BOX
P/N	PACKAGING

X.±	X'± 1*	UNITS mm	NAME(INTENDED USE) SERIAL ATA	FOXCONN HON HAI PRECISION IND. CO.,LTD. TAIPEI, TAIWAN, R.O.C.
.x± 0.30	.x'±	MAT'L	PART NO.(INTENDED USE) LD2722*-SOBL7*	
.xx± 0.20	.xx'±	FINISH	APPD: Yihsin Chen	TITLE: CUSTOMER DRAWING RECEPTACLE,22 POS,R/A,T/H
.xxx± 0.15	.xxx'±		Q'TY	CHKD: Wolfe Liu
<small>THESE DRAWINGS AND SPECIFICATIONS ARE THE PROPERTY OF HON HAI PRECISION IND. CO., LTD. AND SHALL NOT BE REPRODUCED, COPIED OR USED IN ANY MANNER WITHOUT THE PRIOR WRITTEN CONSENT OF HON HAI PRECISION IND. CO., LTD.</small>			DR: Denis Zhu 5/31'11	SCALE SHEET REV. N/A 3/3 CX1