

SPECIFICATIONS

Mechanical

*Insertion Force: 55.5N max.
Withdrawal Force: 49.0N min.
Durability: 250 Cycles.*

Electrical

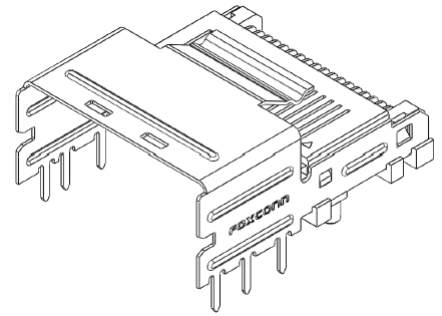
*Current Rating:
0.50A per pin min. for power pin.
Contact Resistance:
80 mΩ max. initial, resistance increase 20mΩ max. after stress.
Dielectric Withstanding Voltage: 300V AC at sea level.
Insulation Resistance: 1000MΩ min.*

Physical

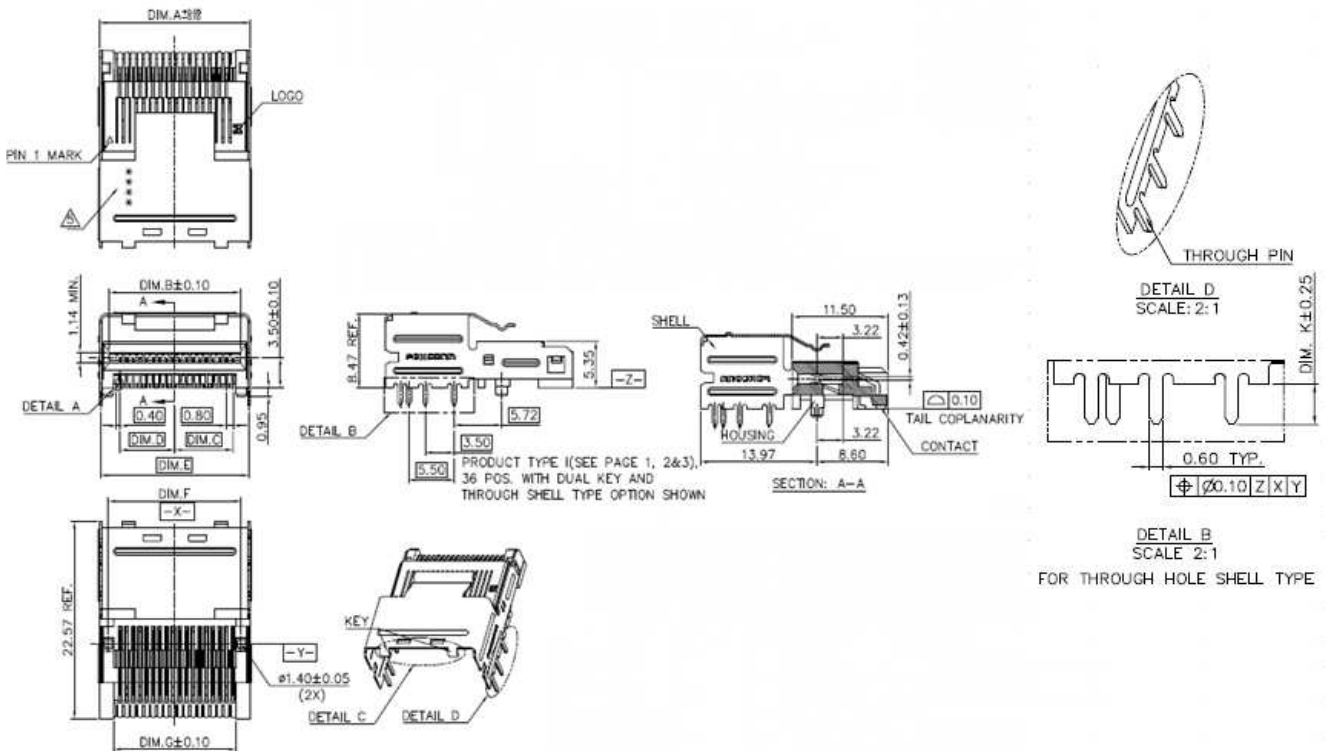
*Housing: Thermoplastic, UL 94V-0 rated in Black Color.
Contact: Copper alloy
Plating: See "ORDERING INFORMATION"
Operating Temperature: -40°C to +105°C*

S-ATA RECEPTACLE

**LD2136*-MCUL6 Series
MINI SAS R/A, SMT
0.80mm(0.032") Pitch
36 Pos.**



DRAWING



ORDERING INFORMATION

PRODUCT NO. MATRIX : LD21 ** * - M * * * *

POSITION No.	PACKING TYPE
26 = 26 POS.	NONE(9) = TRAY WITHOUT COVER
36 = 36 POS.	6 = TAPE&REEL WITHOUT COVER
50 = 50 POS.	7 = TAPE&REEL WITH COVER
68 = 68 POS.	8 = TRAY WITH COVER
PLATING CODE	HOUSING MATERIAL
H = 30u" GOLD PLATING	NONE(L) = LCP,COLOR BLACK
WITH RoHS COMPLIANCE	MODIFY CODE(1,2,3,4...)
V = 15u" GOLD PLATING	
WITH RoHS COMPLIANCE	8 = NICKEL SILVER
	C = STAINLESS STEEL

ATTACHM

LD2136*-M***	18.05	15.80	7.00	6.60	17.80	16.00	15.60	19.80	20.80
PART No.	DIM.A	DIM.B	DIM.C	DIM.D	DIM.E	DIM.F	DIM.G	DIM.H	DIM.J

LD21***-M*Y**	1.96	RETENTION	DUAL KEY
LD21***-M*W**	3.18	THROUGH HOLE	UNIVERSAL
LD21***-M*V**	1.96	THROUGH HOLE	UNIVERSAL
LD21***-M*U**	2.79	THROUGH HOLE	UNIVERSAL
LD21***-M*S**	3.56	THROUGH HOLE	DUAL KEY
LD21***-M*R**	3.56	THROUGH HOLE	RIGHT KEY
LD21***-M*Q**	3.56	THROUGH HOLE	LEFT KEY
LD21***-M*N**	3.18	THROUGH HOLE	DUAL KEY
LD21***-M*M**	3.18	THROUGH HOLE	RIGHT KEY
LD21***-M*L**	3.18	THROUGH HOLE	LEFT KEY
LD21***-M*K**	1.96	THROUGH HOLE	DUAL KEY
LD21***-M*J**	1.96	THROUGH HOLE	RIGHT KEY
LD21***-M*H**	1.96	THROUGH HOLE	LEFT KEY
LD21***-M*G**	1.96	RETENTION	UNIVERSAL
LD21***-M*F**	1.96	RETENTION	RIGHT KEY
LD21***-M*E**	1.96	RETENTION	LEFT KEY
LD21***-M*D**	1.96	SMT	UNIVERSAL
LD21***-M*C**	1.96	SMT	DUAL KEY
LD21***-M*B**	1.96	SMT	RIGHT KEY
LD21***-M*A**	1.96	SMT	LEFT KEY
LD21***-M*9**	2.79	THROUGH HOLE	LEFT KEY
LD21***-M*8**	2.79	THROUGH HOLE	RIGHT KEY
LD21***-M*7**	2.79	THROUGH HOLE	DUAL KEY
LD21***-M*6**	2.79	SMT	UNIVERSAL
LD21***-M*5**	3.56	THROUGH HOLE	UNIVERSAL
PRODUCT No.	DIM.K	SHELL P.C.B. OPTION	SHELL KEY OPTION